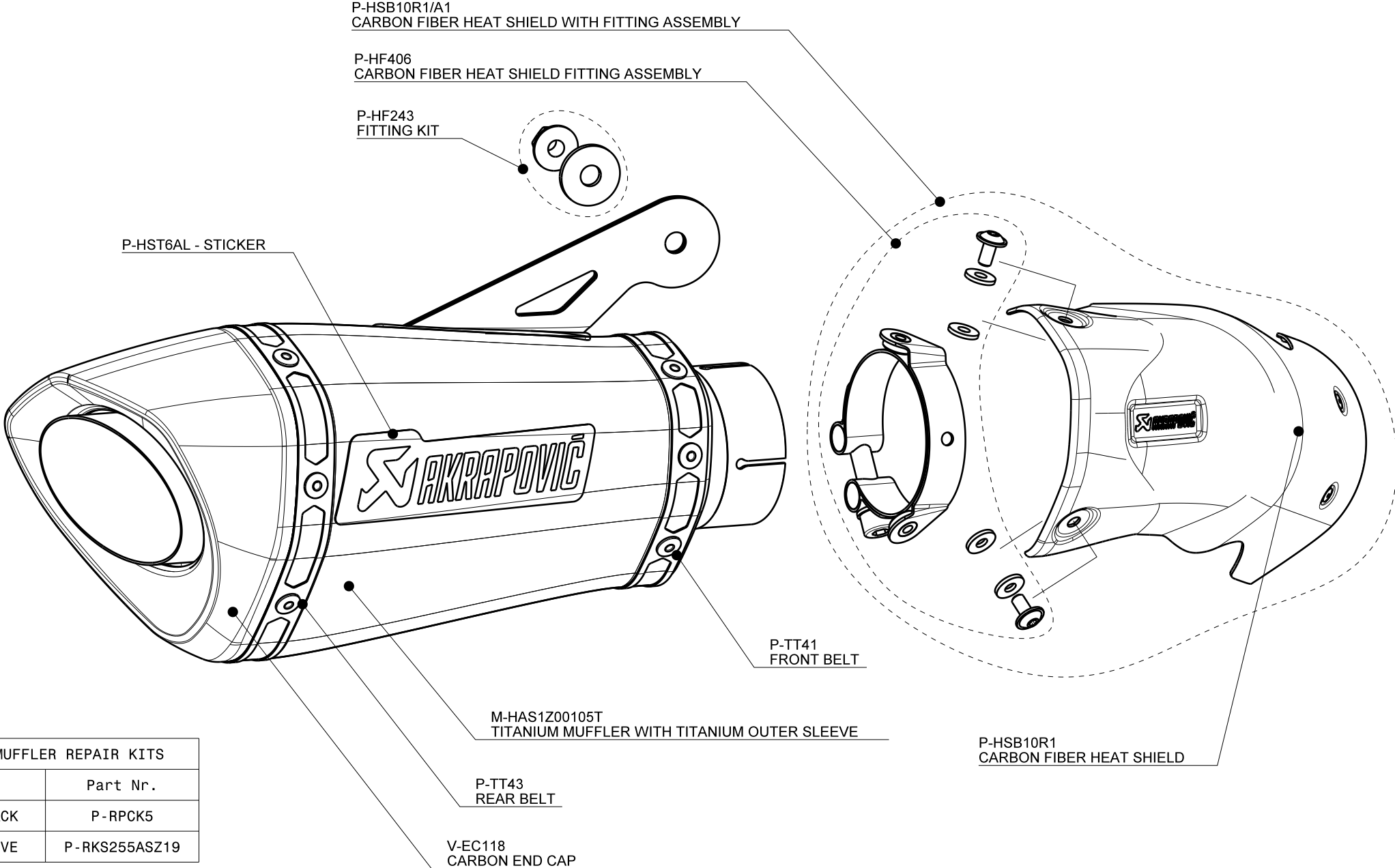


BMW S1000RR/ Slip-on system - low/ Homologated

Product code: S-B10SO1-HASZ

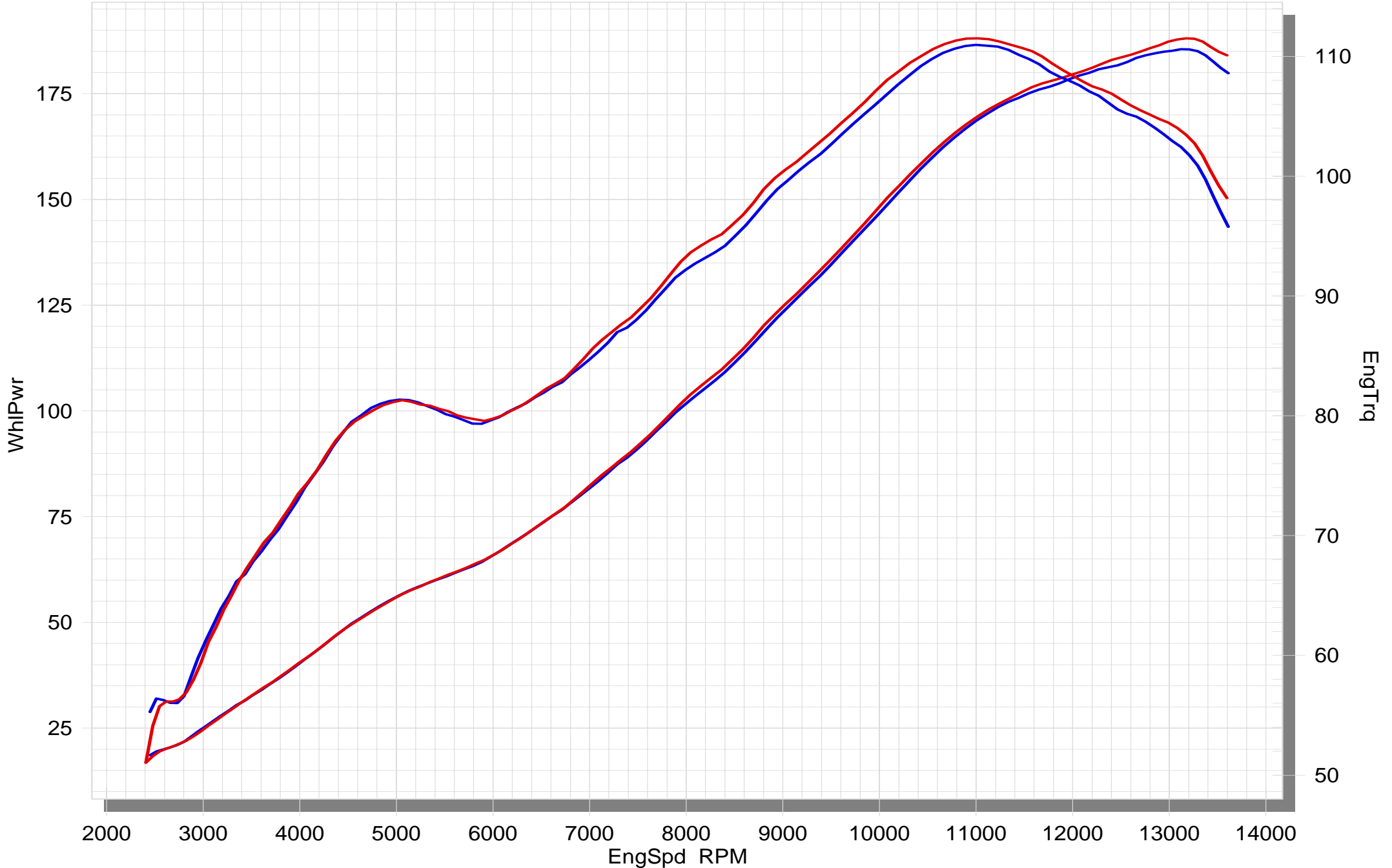


MUFFLER REPAIR KITS	
KIT	Part Nr.
REPACK	P-RPCK5
SLEEVE	P-RKS255ASZ19

BMW S1000RR 2010

STOCK EXHAUST

AKRAPOVIC SLIP-ON EXHAUST



e1 0763 (9)



EC Type-Approval Certificate

for non-original motorcycle exhaust system



502397

Component approval No.: e1*97/24*2006/120/9/III*0763*01

Issued by: Kraftfahrt-Bundesamt,
Fördestraße 16, DE-24944 Flensburg

Place & date of type-approval: Flensburg, 18.11.2009

Report No.: 09-00068-CM-GBM-01

Issued by: TÜV SÜD AUTOMOTIVE GMBH
TÜV SÜD Gruppe
DE-85748 Garching

Date of issue: 04.01.2010

Approval identification: e1 0763 (9)

Type and version of exhaust: M-HASIZ001 / M-HASIZ00105T/1, M-HASIZ00105C/1, M-HASIZ00106T/1, M-HASIZ00106C/1, M-HASIZ00105T, M-HASIZ00105C, M-HASIZ00106T, M-HASIZ00106C.

Technical unit: Technical unit, consisting out of one silencer without catalytic converter according to drawing no. M-HASIZ001, hexagonal conical 105 x 132mm, length 190mm without end caps, absorption-reflection- principle with an outlet \varnothing 60 mm in combination with original header system and presilencer with catalytic converter.

Marking: Engraved by laser / plate fixed with rivets.

Field of application:

Manufacturer-Trade mark	Commercial description	Vehicle type (and no. of homologation)	Engine type	Component parts, dimensions in mm	Dimensions of the part in mm or original part / replacement part	Part no. or Homologation no.
BMW	S 1000 RR	K 10 (e1*0421*)	10 4E A	Header pipes	Original parts	-
				Presilencer with catalytic converter	Original parts	-
				Rear silencer (outlet pipe \varnothing 60)	Hexagonal conical 105 x 132 mm Length without end caps 190 mm	M-HASIZ001