

MOTOPLASTIC, S.A.

Molí de la sal, 1 - 08403 Granollers (Barcelona) SPAIN

Tel. 34 93 849 06 33 - Fax 34 93 849 09 88

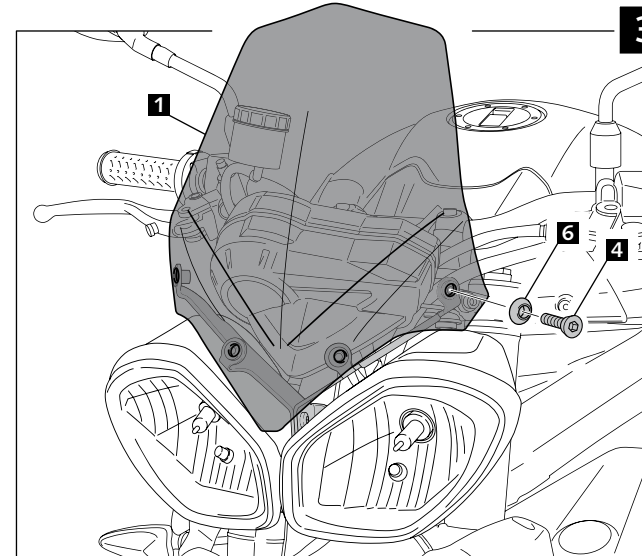
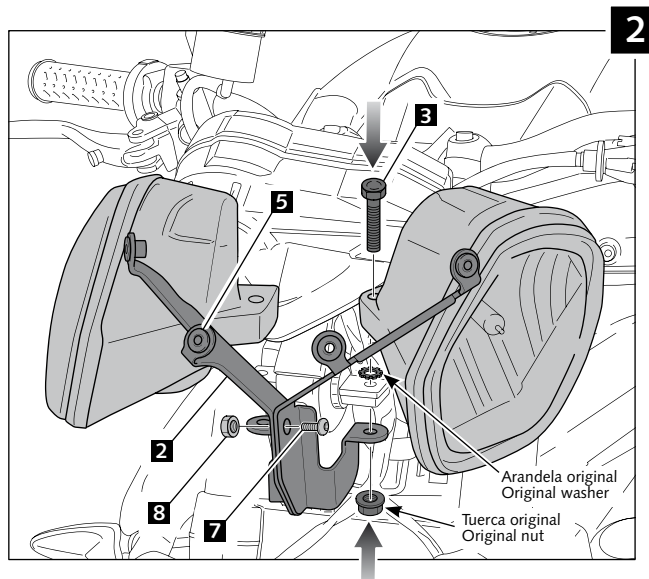
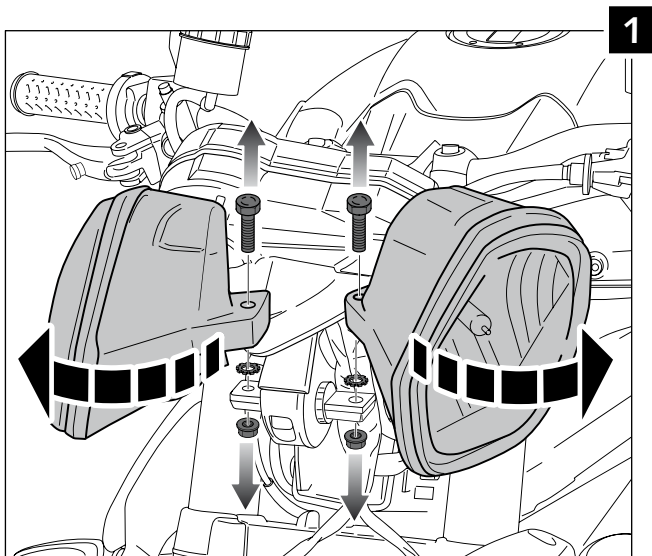
info@puig.tv


www.puig.tv - www.puigusa.com

INSTRUCCIONES DE MONTAJE - MOUNTING INSTRUCTIONS

CARENABRÍS ADAPTABLE A - WINDSHIELD ADAPTABLE TO
TRIUMPH
SPEED TRIPLE/R'11-'13 - STREET TRIPLE /R'11-'13

Ref.: 5658



ID.	DESCRIPCIÓN	DESCRIPTION	QTY.
1	 Pantalla	Screen	1
2	 Soporte metálico derecho/izquierdo	Right/left metal support	1
3	 Tornillo hexagonal M8x50	M8x50 hexagonal screw	2
4	 Tornillo Allen M6x25 DIN 7991	M6x25 DIN 7991 Allen screw	4
5	 Tuerca M6 con silemblock incorporado	M6 nut incorporated well nut	4
6	 Arandela cónica plástico Ø20	Ø20 plastic washer	4
7	 Tornillo Allen M6X10 ISO 7380	M6x10 ISO 7380 Allen screw	1
8	 Tuerca M6	M6 nut	1