

MOTOPLASTIC, S.A.

Molí de la sal, 1 - 08400 Granollers (Barcelona) SPAIN

Tel. 34 93 849 06 33 - Fax 34 93 849 09 88

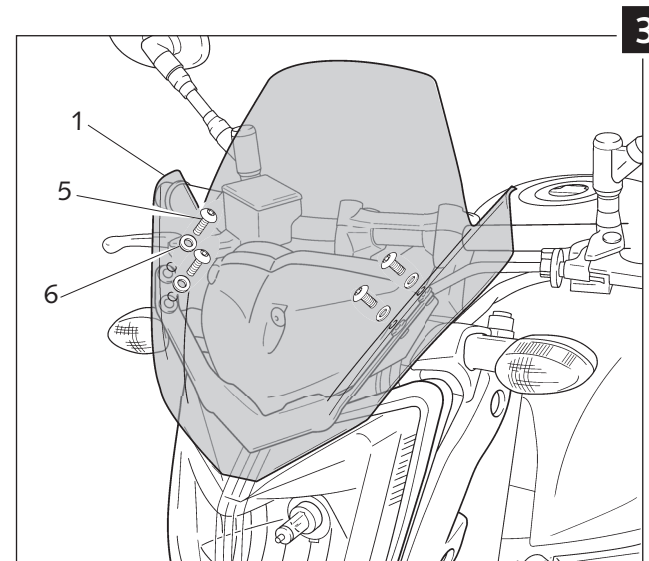
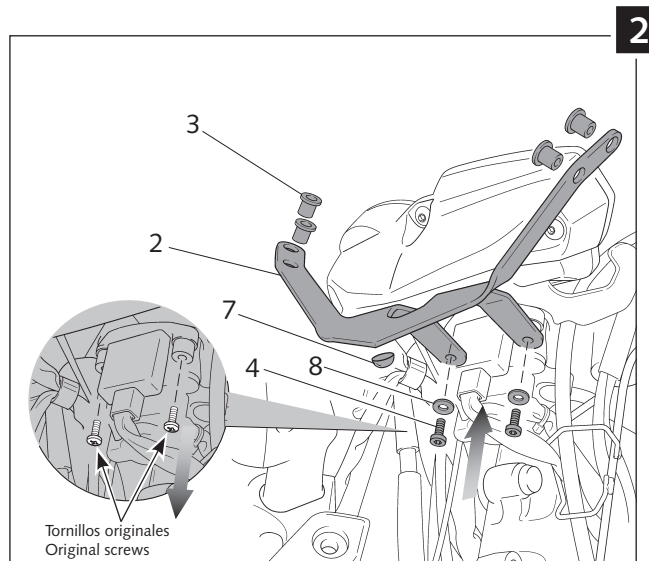
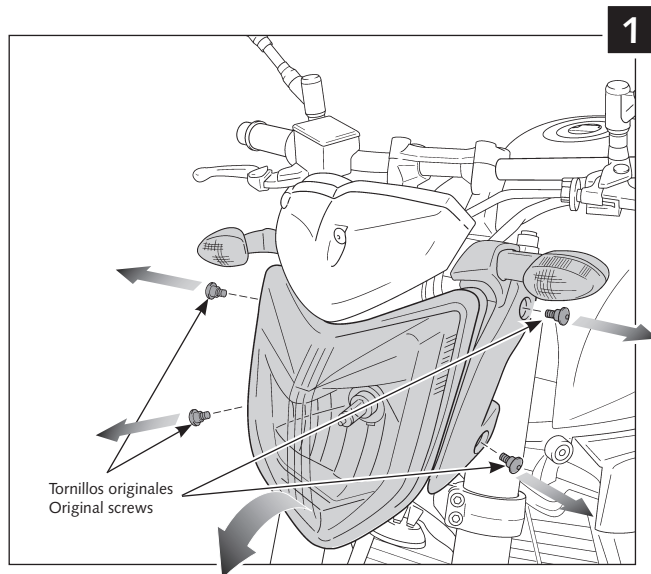
info@motoplastic.com

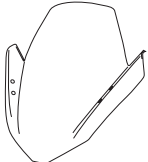





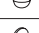
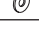
www.puig.tv

## INSTRUCCIONES DE MONTAJE - MOUNTING INSTRUCTIONS

### CARENABRÍS ADAPTABLE A - WINDSHIELD ADAPTABLE TO YAMAHA FZ1

Ref.: 4119



ID.	DESCRIPCIÓN	DESCRIPTION	QTY.
1	 Pantalla	Screen	1
2	 Soporte	Bracket	1
3	 Tuerca M5 con silemblock incorporado	M5 nut incorporated well nut	4
4	 Tornillo allen M5x20 DIN912	M5x20 DIN912 allen screw	2
5	 Tornillo M5x16 ISO 7380	M5x16 ISO 7380 screw	4
6	 Arandela nylon Ø5	Nylon washer Ø5	4
7	 Separador de silicona Ø6x7,9 (se suministra montado en la pieza nº2)	Silicone delimiter Ø6x7,9 (supplied already mounted on the piece nº2)	1
8	 Arandela metálica Øext.15 x Øint.5,5x1	Metal washer Øouter15 x Øinner5,5x1	2