



2020 – 2021

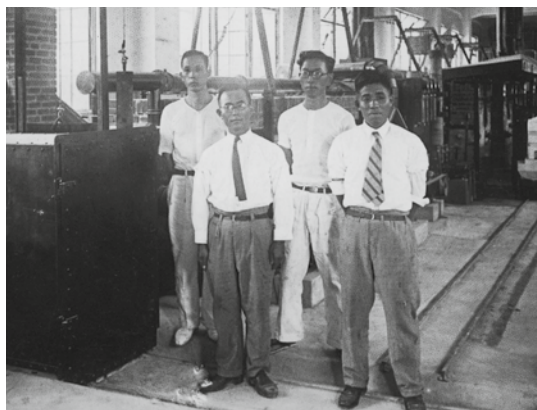


IGNITION  
PARTS



VEHICLE  
ELECTRONICS

# IGNITION & SENSOR SPECIALIST



Founded in 1936, the NGK SPARK PLUG Corporate Group, known around the globe as a leading manufacturer of spark plugs, has always developed ceramics as its core competence. Over the years, the company has established a track record of successfully applying the expertise gained in the field of ceramics to other areas to create new value.

Today, NGK SPARK PLUG is a leading manufacturer of ignition parts and vehicle electronics both for OEMs (Original Equipment Manufacturers) and the IAM (Independent Aftermarket) with over 80 years of experience. A total of 41 subsidiaries, 29 production plants, 4 Technical Centers and 16,000 employees around the world ensure optimum processes and a great wealth of knowledge.

The world leader in spark plugs and oxygen sensors, NGK SPARK PLUG has built a strong reputation for quality, reliability and a commitment to excellence. Now as then, the ignition and sensor specialist is dedicated to providing customers with world-class products and services.

In order to react more quickly to the global and regional changes of the market and the NGK SPARK PLUG environment, the company has switched from a central to a regional company management model. As a result, NGK SPARK PLUG EUROPE GmbH, based in Ratingen, Germany, became the EMEA Regional Headquarter in 2017 and has extended its responsibility from only Europe to include Middle East and Africa. Today, the EMEA markets are key to NGK SPARK PLUG's success, making up 25 percent of NGK SPARK PLUG's total global sales.



1979

Foundation of  
NGK SPARK PLUG  
Deutschland GmbH



Launch of the  
sensor brand NTK

1982



1989

NGK SPARK PLUG  
Deutschland  
becomes NGK SPARK  
PLUG EUROPE

Production plant in  
Orléans (FR) and Technical  
Center in Ratingen (DE)  
start operation



Launch of V-Line,  
the most successful  
spark plug assortment

1991

1997



First lambda sensor for  
the Aftermarket available



Launch of NGK ignition  
coils for the Aftermarket

2012

2014



Introduction of NTK  
exhaust gas temperature  
sensors



Acquisition of Wells,  
a leading producer of  
ignition coils and  
sensors in the U.S.

2015

2016



Launch of NTK MAP/MAF  
sensors for the Aftermarket

NGK SPARK PLUG EUROPE  
takes over responsibility for  
the EMEA region

Opening of the new Regional  
Distribution Center in  
Duisburg, Germany

2017

2018



Launch of NTK engine  
speed & position sensors  
for the Aftermarket

# MANUFACTURERS

## SPARK PLUGS MOTORCYCLE / SCOOTER

<b>A</b>		CASAL	91	HUSQVARNA	126
A.J.S.	70	CCF	91	HYMOTO	129
ADIVA	70	CCM	92	HYOSUNG	129
ADLY	70	CF MOTO	92	<b>I</b>	
AJP	70	CLIPIC	93	INDIAN	131
ALFER	70	CPI	93	ITALJET	131
AMERICAN IRON HORSE	71	CR & S	94	ITTECO	132
AMERICAN PERFORMANCE CYCLE	71	CRAZY-VEHICLE	94	IZH	132
APOLLO	71	<b>D</b>		<b>J</b>	
APRILIA	72	DAELIM	94	JAWA	133
ATALA	76	DAFIER	95	JIALING	133
ATK	76	DERBI	95	JIANSHE	133
AT MOTO	77	DNEPR	98	JINCHENG	133
<b>B</b>		DUCATI	98	JINLUN	134
BAJAJ	77	<b>E</b>		JMSTAR	134
BAOTIAN	77	EBR	103	JONWAY	134
BAROSSA MOTOR	77	ENDRESS	103	JOTAGAS	134
BASHAN	77	EPPELLA	104	<b>K</b>	
BEELINE	77	ERING	104	KAWASAKI	134
BELGARDA	78	EXPLORER	104	KEEWAY	139
BENELLI	78	<b>F</b>		KENOS	140
BENZHOUE	80	FANTIC	104	KINETIC	141
BETA	80	FITE	105	KREIDLER	141
BIG DOG	83	<b>G</b>		KSR MOTO	141
BIMOTA	83	G+G	105	KTM	141
BLACK DOUGLAS MC	84	GARELLI	105	KUANG YANG	150
BLATA	84	GAS GAS	106	KYMCO	151
BMW	84	GENERIC	108	K-ZWO	154
BOOM TRIKE	88	GILERA	110	<b>L</b>	
BOSS	88	<b>H</b>		LAMBRETTA	154
BRUDELI	88	HARLEY-DAVIDSON MC	112	LAVERDA	154
BSA	88	HERALD MOTOR COMPANY	115	LECSON	154
BSM	88	HERCULES	115	LEM	154
BS VILLA	88	HERO	115	LEXMOTO	155
BUELL	88	HIGHLAND	115	LIFAN	156
BUFFALO	89	HMRacing	116	LINGBEN	157
BULTACO	89	HMZ	116	LML-VESPA	157
<b>C</b>		HONDA	116	LONGJIA	157
CAGIVA	89	HOREX	124	<b>M</b>	
CAN-AM	91	HRD	124	MACAL	157
CANNONDALE	91	HUONIAO	124	MAGELLI	157
CARREFOUR	91	HUSABERG	124	MAGNI	157
				MAICO	157



MALAGUTI	157	PULSE	186	<b>T</b>	
MANET KORADO	159	<b>Q</b>		T.G.M. Bimota	208
MARS	159	QUADRO	187	TAMORETTI	208
MASH	159	<b>R</b>		TGB	208
MBK	160	REGAL RAPTOR MC	187	TITAN	208
METEORIT	163	REGENT	187	TM RACING	209
MIDWEST	163	RENAULT	187	TNG	209
MINARELLI	163	REX	187	TOKAIDO	209
MINSK	164	RFR	187	TOMOS	209
MONDIAL	164	RIDERS	187	TORPADO	210
MONTESA	165	RIEJU	188	TRIUMPH	210
MOPEX	165	RIERA	189	TROTILEX	211
MOTO GUZZI MC	165	RIVERO	189	<b>U</b>	
MOTO MORINI	167	ROVIGO	189	URAL	211
MOTO HISPANA	167	ROYAL	189	URAL AMERICA	212
MOTOR ROMA	168	ROYAL ENFIELD	189	<b>V</b>	
MOTOR TEK	169	RTX	190	VALENTI	212
MOTO-SPEZIAL	169	<b>S</b>		VELOCIFERO	212
MOTOTECHNIKA	169	S.I.S.	190	VERTEMATI	212
MOTRON	169	SACHS	190	VICTORY	212
MS	169	SANYANG	192	VILLA BS	213
MSA	169	SASY	193	VIVA	213
MV AGUSTA	169	SCORPA	193	VOR	213
MZ	170	SHE LUNG	193	<b>W</b>	
MZ KANUNI	171	SHERCO	193	WINKING	214
<b>N</b>		SIAM	195	WK (WHITE KNUCKLE)	214
NIPPONIA	171	SIAMOTO	195	WP	214
NORTON	171	SIMSON	195	WUYANG	214
<b>O</b>		SINNIS	195	<b>X</b>	
OSSA	171	SKYTEAM	196	XISPA	214
OTTA	171	SMC	196	<b>Y</b>	
<b>P</b>		SPIGAOU	196	YAMAHA	214
PEGASUS	171	STAR QUAD	196	YAMASAKI	229
PEUGEOT	172	STEFFEN	196	YIYING	229
PGO	177	SUNDIRO	197	<b>Z</b>	
PIAGGIO	178	SUPERBYKE	197	ZHONGNENG	229
PIONEER	186	SUZUKI	197	ZID	229
POLINI	186	SV	205	ZNEN	229
PRAGA	186	SWM	205	ZONGSHEN	229
PUCH	186	SYM	205		

## SPARK PLUGS QUAD/ATV

### A

ACCESS	232
ADLY	232
AEON	232
APACHE	232
APRILIA	232
ARCTIC CAT	233
ARGO	239
ATK	239
AXR	239

### B

BAROSSA MOTOR	240
BLANEY	240
BLAST	240
BOROSSA	240
BOSS	240

### C

CAN-AM	240
CANNONDALE	241
CARTER	241
CECTEK	242
COBRA -Quad	242
CPI	242
CUB CADET	242

### D

DAREN	242
DAZON	242
DINLI	242
DRR	243

### E

E.ATV	243
EPPELLA	243
ERING	243
ETON	243
EXPLORER	243

### F

FOX	243
-----	-----

### G

G+G	244
GAS GAS	244
GILERA	244

### H

HERKULES	244
HONDA	244
HUSQVARNA	245
HYMOTO	246
HYOSUNG	246
HYTRACK	246

### J

JOHN DEERE	246
------------	-----

### K

KARCHER	246
KAWASAKI	246
KAZUMA	248
KEEWAY	249
KOLPIN	249
KREIDLER	249
KTM	249
KYMCO	249

### L

LEM	249
LINHAI	249

### M

MANCO	250
MASAI	250
MASSEY-FERGUSON	250
MOTO ROMA	250
MOTOR TEK	250
MSA	250
MZ	251

### P

PANDA	251
PGO	251
POLARIS	251
PUZEY	254

### Q

QUADZILLA	254
QUANTUM	255

### S

SACHS	255
SKYTEAM	255
SMC	255
STORM	255
SUZUKI	255
SYM	257

### T

TGB	257
TRAILBLAZER	257
TRAILSPORT	257
TRITON	257

### U

UNILLI	257
UNISOM	257
UNITED MOTORS	257

### V

VENTO	257
VINSON	257

### X

XING FU	257
YAMAHA	258

### Y

YERF-DOG	261
----------	-----

### Z

ZONGSHEN	261
----------	-----



## SPARK PLUGS SSV

<b>A</b>		CUSHMAN	266	<b>M</b>	
AEON	264	<b>E</b>		MASSEY-FERGUSON	267
APACHE	264	EPPELLA	266	MOTO ROMA	268
ARCTIC CAT	264	EZGO	266	<b>P</b>	
<b>B</b>		<b>H</b>		POLARIS	268
BOROSSI	265	HONDA	266	<b>Y</b>	
BRISTER	265	<b>J</b>		YAMAHA	272
BUSH HOG	266	JOHN DEERE	267		
<b>C</b>		<b>K</b>			
CAN-AM	266	KAWASAKI	267		
CUB CADET	266	KYMCO	267		

## SPARK PLUGS SNOWMOBILE

<b>A</b>		<b>J</b>		RUPP	333
AKTIV	276	JOHN DEERE	301	<b>S</b>	
ARCTCO	276	<b>K</b>		SACHS	333
ARCTIC CAT	279	KAWASAKI	302	SCORPION	334
<b>B</b>		KIORITZ	302	SKI-DOO / BOMBARDIER	334
BLADE	292	KOHLER	302	SKIROULE	343
BOLENS	293	<b>M</b>		SNO JET	343
BOMBARDIER	293	MONARK CRESCENT	303	SUZUKI	343
BURAN	298	<b>N</b>		<b>T</b>	
<b>C</b>		NPO SATURN	303	THREE R INDUSTRIES	344
CANADIAN CURTIS WRIGHT	298	<b>O</b>		TRAIL MANTA	344
CCW ENGINES	299	OCKELBO	303	<b>X</b>	
CHAPARRAL	299	OMC	304	XENOAH	344
<b>H</b>		<b>P</b>		<b>Y</b>	
HIRTH	300	POLARIS	304	YAMAHA	344
<b>I</b>		<b>R</b>			
IKAR	300	REDLINE	333		
ILO	300	ROLL-O-FLEX	333		

## CAPS MOTORCYCLE / SCOOTER

<b>A</b>		HONDA	376	MONTESA	385
APRILIA	375	HUSABERG	378	<b>P</b>	
<b>B</b>		HUSQVARNA	378	PEUGEOT	385
BETA	375	<b>I</b>		PGO	385
<b>C</b>		ITALJET	378	PIAGGIO	386
CAGIVA	375	<b>K</b>		<b>S</b>	
<b>D</b>		KAWASAKI	379	SACHS	389
DAELIM	375	KTM	380	SIAM	389
<b>G</b>		KYMCO	384	SUZUKI	389
GAS GAS	375	K-ZWO	384	<b>Y</b>	
GILERA	375	<b>M</b>		YAMAHA	391
<b>H</b>		MAICO	384		
HERCULES	376	MBK	384		

## CAPS QUAD/ATV

<b>H</b>		<b>S</b>	
HONDA	396	SUZUKI	396
<b>K</b>		<b>Y</b>	
KAWASAKI	396	YAMAHA	397

## CAPS SSV

<b>C</b>	CAN-AM	398
----------	--------	-----

## OXYGEN SENSORS MOTORCYCLE

<b>A</b>		HYOSUNG	404	<b>P</b>	
APRILIA	402	<b>K</b>		PEUGEOT	406
<b>B</b>		KAWASAKI	404	<b>R</b>	
BMW	402	KTM	405	ROYAL ENFIELD	406
<b>D</b>		KYMCO	405	<b>S</b>	
DUCATI	403	<b>M</b>		SUZUKI	406
<b>H</b>		MOTO GUZZI MC	405	<b>T</b>	
HONDA	403	MOTO MORINI	406	TRIUMPH	406
HUSQVARNA	404	MV AGUSTA	406		






























IGNITION  
PARTS

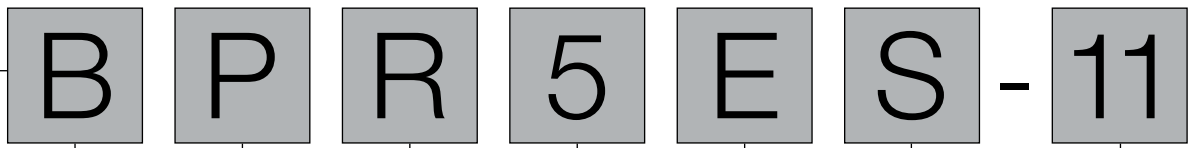
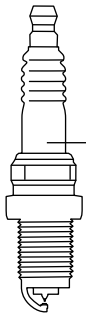


VEHICLE  
ELECTRONICS

 <b>i</b> .....	2 - 27
  .....	28 - 40
 Series .....	41 - 53
 → <i>IRIDIUM IX</i> .....	54 - 56
 Racing .....	57 - 68
   .....	69 - 230
  .....	231 - 262
  .....	263 - 274
  .....	275 - 346
     .....	347 - 398
   .....	399 - 408
 Cross Reference Guide Industry → NGK SPARK PLUG .....	409 - 440
 Cross Reference Guide Original Equipment → NGK SPARK PLUG .....	441 - 458
Discontinued Products .....	459 - 461
Disclaimer .....	462 - 465

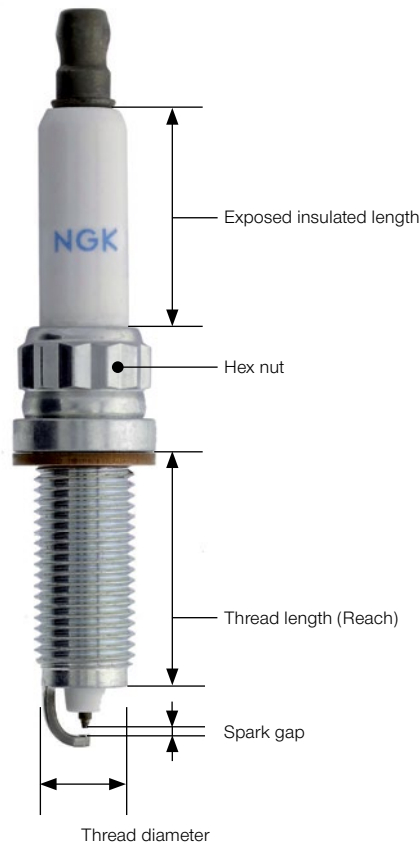


# How to read our part number: Spark Plugs

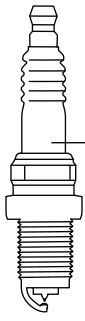


Unit : mm

B		P		R		5		E		S		-11			
Thread size	Hex size	Structure		Resistor		Heat rating		Thread length		Design features		Spark gap			
<b>A</b>	φ 18.0	Hex 25.4	<b>P</b>	Projected insulator type	<b>R</b>	Resistor	<b>2</b>		<b>E</b>	19.0	<b>B</b>	Integral terminal (CR8EB)		<b>None</b>	Motorcycle : 0.7~0.8 Car : 0.8~0.9
<b>B</b>	φ 14.0	Hex 20.8			<b>Z</b>	Inductive resistor type	<b>4</b>		<b>EF</b>	17.5		<b>CM</b>	Slant ground electrode Compact type (Exposed insulator length: 18.5)		
<b>BC</b>	φ 14.0	Hex 16.0	<b>M</b>	Small spark plug	<b>5</b>	<b>EH</b>	19.0 half-thread		<b>CS</b>	Slant ground electrode			<b>-8</b>	0.8	
<b>BK</b>	φ 14.0	Hex 16.0			<b>6</b>	<b>H</b>	12.7			<b>G,GV</b>	Racing spark plug		<b>-9</b>	0.9	
<b>C</b>	φ 10.0	Hex 16.0	<b>U</b>	Surface gap, Semi-surface discharge gap or Supplementary gap	<b>7</b>	<b>L</b>	11.2		<b>I</b>		Iridium central electrode		<b>-10</b>	1.0	
<b>D</b>	φ 12.0	Hex 18.0			<b>8</b>		<b>None</b>			Tapered seat type A(P)F : 10.9 B(P)F : 11.2 BM(P)F : 7.8		<b>IX</b>	Iridium IX spark plug		<b>-11</b>
<b>DC</b>	φ 12.0	Hex 16.0			<b>9</b>	Small type plug B(P)M- : 9.5 B-LM : 9.5 CM- : 9.5 CM-6 : 8.6 C-50 : 8.5			<b>J</b>	2-projecting-ground electrodes			<b>-13</b>	1.3	
<b>E</b>	φ 8.0	Hex 13.0			<b>10</b>	Cold type				<b>K</b>	2-ground-electrodes		<b>-15</b>	1.5	
*Exception B(P)M-A,Y : φ 14.0, Hex 19.0 P(P)-(E)F : φ 14.0, Hex 16.0 CM-6 : φ 10.0, Hex 14.0  BC : Old JIS standard size The length from gasket circuit to terminal contact is 53.0mm.  BK : ISO / JIS standard size The length from gasket circuit to terminal contact is 50.5mm.											<b>-S</b>	Special gasket			
											<b>P</b>	Platinum spark plug Single ground electrode : Double platinum		<b>-E</b>	Special resistance
											Multi-ground electrode : Single platinum in central electrode		<b>IX-P</b>	Iridium MAX plug	
											<b>Q</b>	4-ground-electrodes		<b>LPG 1-8</b>	LaserLine spark plug range for gas engine use
											<b>S</b>	Standard type			
											<b>T</b>	3-ground-electrodes			
											<b>U</b>	Semi-surface discharge gap			
											<b>Y</b>	V-grooved center electrode			
											<b>Z</b>	Special design			



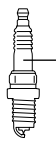
# How to read our part number: Spark Plugs



**P F R 5 A - 11**

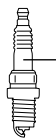
Unit : mm

P		F				R		5		A		-11			
Plug type		Thread diameter	Thread length	Seat configuration	Hex size	Resistor		Heat rating		Design		Spark gap			
<b>DI</b>	High ignitability plug: Double fine electrodes	<b>F</b>	∅ 14.0	19.0	Gasket	Hex 16.0	<b>R</b>	<b>Resistor</b>	<b>2</b>		A,B,C... Suffix code	<b>None</b>	Motorcycle : 0.7-0.8		
		<b>FE</b>	∅ 14.0	19.0	Gasket	Hex 16.0			<b>4</b>				Car : 0.8-0.9		
<b>I</b>	Double iridium spark plug	<b>G</b>	∅ 14.0	19.0	Gasket	Hex 20.8		<b>5</b>					<b>-7</b>	0.7	
<b>L</b>	Long thread reach plug	<b>J</b>	∅ 12.0	19.0	Gasket	Hex 18.0		<b>6</b>					<b>-9</b>	0.9	
<b>P</b>	Double platinum spark plug	<b>K</b>	∅ 12.0	19.0	Gasket	Hex 16.0		<b>7</b>				<b>I</b>	Iridium central electrode	<b>-10</b>	1.0
<b>S</b>	High ignitability plug : thin square tip type	<b>KA</b>	∅ 12.0	19.0	Gasket	Hex 14.0		<b>8</b>						<b>IX</b>	Iridium IX spark plug
<b>Z</b>	Projected firing end	<b>KB</b>	∅ 12.0	19.0	Gasket	Bi-Hex 14.0 (Bi-hexagonal *)		<b>9</b>				<b>P</b>	Platinum central electrode	<b>-13</b>	1.3
		<b>KE</b>	∅ 12.0	19.0	Gasket	Hex 16.0		<b>10</b>	Cold type						<b>-15</b>
Above alphabets are occasionally used in combination <Example>LFR--, PLZFR--, When „L“ is included, priority is given to „L“ (long reach)* in thread length. <Example> * Gasket type FR5AP : Thread length 19.0mm ↓ LFR5AP-11 : Thread length 26.5mm * Tapered seat type PTR5C-13 : Thread length 17.5mm ↓ PLTR6A-10G : Thread length 25.0mm		<b>KF</b>	∅ 12.0	19.0	Gasket	Hex 14.0						*When there is „I“ or „P“ at the beginning of part number ( „I“ or „P“ after heat rating becomes suffix code.) <Example> IZFR6P8 is Iridium spark plug I : Iridium P : Suffix code * <Exception> ZFROP-G is nickel spark plug		<b>-A</b>	Non gasket
		<b>KG</b>	∅ 12.0	19.0	Gasket	Bi-Hex 14.0 (Bi-hexagonal *)								<b>-D</b>	Metal shell : nickel plating
		<b>L</b>	∅ 10.0	12.7	Gasket	Hex 16.0							<b>-E</b>	Special resistance	
		<b>M</b>	∅ 10.0	19.0	Gasket	Hex 16.0							<b>-G</b>	Copper cored ground electrode	
		<b>MA</b>	∅ 10.0	19.0	Gasket	Hex 14.0							<b>-H</b>	Special thread shape	
		<b>MF</b>	∅ 10.0	19.0	Gasket	Hex 14.0							<b>-J</b>	2 ground-electrode	
		<b>NA</b>	∅ 12.0	17.5	Tapered seat	Hex 14.0							<b>-K</b>	Vibration-resistance ground electrode	
		<b>T</b>	∅ 14.0	17.5	Tapered seat	Hex 16.0							<b>-N</b>	Special ground electrode	
		<b>U</b>	∅ 14.0	11.2	Tapered seat	Hex 16.0							<b>-Q</b>	4-ground-electrode	
		<b>W</b>	∅ 18.0	10.9	Tapered seat	Hex 20.8							<b>-S</b>	Special gasket	
		<b>X</b>	∅ 14.0	9.5	Gasket	Hex 20.8							<b>-T</b>	3-ground-electrode	
		<b>Y</b>	∅ 14.0	11.2	Tapered seat	Hex 16.0							<b>-U</b>	Semi-surface discharge type	
		* Exception TR5A-10, TR5A-13, TR5B-13, TR6B-10, TR6B-13, PTR5A-10, PTR5A-13 : Thread length 25.0mm				Bi-hexagonal							<b>IX-P</b>	Iridium MAX plug	
		* Bi-hexagonal socket is necessary.				Hexagonal								<b>LPG 1-8</b>	LaserLine spark plugs range for gas engines
		* FE, KE, KF, KG, MF : Longer exposed insulator length type													



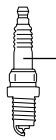
**RE 7 C - L**

RE		7		C		-L	
Plug type		Heat rating		Design		Spark gap	
<b>RE</b>	Plug for rotary engines	<b>5</b>		A,B,C--Suffix code		<b>-L</b>	Leading side
<b>SD</b>	Plug for rotary engines (Semi-surface discharge gap)	<b>6</b>				<b>-T</b>	Trading side
		<b>7</b>					
		<b>8</b>					
		<b>9</b>					
		<b>10</b>					
		<b>11</b>	Cold type				



**HB 6 A IX - 11 P**

HB		6		A				IX		-11		P	
Plug type		Heat rating		Thread diameter	Thread length	Seat configuration	Hex size			Spark gap			
<b>HB</b>	HYBD (3-ground-electrode hybrid type)	<b>4</b>		<b>A</b>	∅ 14.0	20.5	Gasket	Hex 16.0	<b>IX</b>	<b>-8</b>	0.8		
		<b>5</b>		<b>B</b>	∅ 14.0	19.0	Gasket	Hex 16.0		<b>-9</b>	0.9		
		<b>6</b>							<b>-10</b>	1.0			
		<b>7</b>							<b>-11</b>	1.1			
		<b>8</b>	Cold type					<b>-13</b>	1.3				

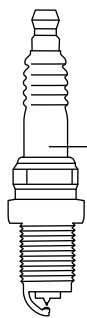


**DF 6 H - 11 A**

DF		6		H				-11		A	
Plug type		Heat rating		Thread diameter	Thread length	Seat configuration	Hex size	Spark gap			
<b>DF</b>	High ignitability plug (Double fine electrodes)	<b>4</b>		<b>A</b>	∅ 14.0	19.0	Gasket	Hex 16.0	<b>-8</b>	0.8	A,B,C... Suffix code
		<b>5</b>		<b>B</b>	∅ 14.0	26.5	Gasket	Hex 16.0	<b>-9</b>	0.9	
<b>DFH</b>	High ignitability plug (DF + Hybrid type)	<b>6</b>		<b>C</b>	∅ 12.0	26.5	Gasket	Hex 14.0	<b>-10</b>	1.0	
		<b>7</b>		* DF6H-11A : Thread length 28.0mm					<b>-11</b>	1.1	
		<b>8</b>							<b>-13</b>	1.3	
		<b>9</b>	Cold type					<b>-15</b>	1.5		



# So lesen Sie unsere Teilenummer: Zündkerzen



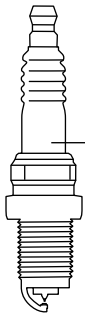
**B P R 5 E S - 11**

Einheit: mm

B		P		R		5		E		S		-11				
Gewinde-durchmesser	Sechskant	Struktur		Entstörwiderstand		Wärmewert		Gewindelänge		Konstruktionsmerkmale		Elektrodenabstand				
<b>A</b>	∅ 18,0	Hex 25,4	<b>P</b>	vorgeschobene Isolatorspitze	<b>R</b>	Widerstand	<b>2</b>	warme Type	<b>E</b>	19,0	<b>B</b>	feste SAE-Anschlussmutter (CR8EB)	<b>leer</b>	Motorrad : 0,7-0,8 Auto : 0,8-0,9		
<b>B</b>	∅ 14,0	Hex 20,8							<b>EF</b>	17,5					<b>CM</b>	Schräge Masseelektrode Kompaktbauart (Freilegende Isolatorlänge: 18,5)
<b>BC</b>	∅ 14,0	Hex 16,0	<b>M</b>	Kompaktkerze	<b>Z</b>	induktiver Widerstand	<b>5</b>	kalte Type	<b>EH</b>	19,0 zur Hälfte ausgeführt	<b>CS</b>	Schräge Masseelektrode	<b>-8</b>	0,8		
<b>BK</b>	∅ 14,0	Hex 16,0							<b>H</b>	12,7			<b>G,GV</b>	Rennzündkerze	<b>-9</b>	0,9
<b>C</b>	∅ 10,0	Hex 16,0	<b>U</b>	Gleitfunkentyp oder Zusatz- funkenstrecke			<b>6</b>		<b>L</b>	11,2	<b>I</b>	Mittelelektrode, Iridium	<b>-10</b>	1,0		
<b>D</b>	∅ 12,0	Hex 18,0							<b>leer</b>	Kegeldichtsitz A(P)F : 10,9 B(P)F : 11,2 BM(P)F : 7,8			<b>IX</b>	Iridium-Zündkerze	<b>-11</b>	1,1
<b>DC</b>	∅ 12,0	Hex 16,0							Zündkerze, klein B(P)M- : 9,5 B-LM : 9,5 CM- : 9,5 CM-6 : 8,6 C-50 : 8,5	<b>J</b>			2 überstehende Masseelektroden	<b>-13</b>	1,3	
<b>E</b>	∅ 8,0	Hex 13,0							<b>K</b>	2 Masseelektroden			<b>-15</b>	1,5		
*Ausnahme B(P)M-A,Y : ∅ 14,0, Hex 19,0 P(P)-(E)F : ∅ 14,0, Hex 16,0 CM-6 : ∅ 10,0, Hex 14,0		BC : Alte JIS-Standardgröße Die Länge zwischen dem Dichtungsring und der Anschlussklemme beträgt 53,0 mm.							BK : ISO-/JIS-Standardgröße Die Länge zwischen dem Dichtungsring und der Anschlussklemme beträgt 50,5 mm.							
										<b>N</b>		spezielle Masse-Elektrode	<b>-E</b>	spezieller Widerstand		
										<b>P</b>		Platinelektrode Einzel-Masseelektrode: Mehrfach-Masseelektrode  Doppelplatin: Einzelplatin in Mittelelektrode	<b>IX-P</b>	Iridium MAX Kerze		
										<b>Q</b>		4 Masseelektroden	<b>LPG 1-8</b>	LaserLine- Zündkerzenserie für gasbetriebene Motoren		
										<b>S</b>		Standard Type				
										<b>T</b>		3 Masseelektroden				
										<b>U</b>		Halbleitfunkentyp				
										<b>Y</b>		Mittelelektrode mit V-Einkerbung				
										<b>Z</b>		spezielle Konstruktion				



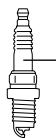
# So lesen Sie unsere Teilenummer: Zündkerzen



**P F R 5 A - 11**

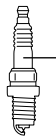
Einheit: mm

P		F				R		5		A		-11			
Zündkerzentyp		Gewinde-durchmesser	Gewinde-länge	Sitz-konstruktion	Sechskant	Entstörwiderstand		Wärmewert		Konstruktion		Elektrodenabstand			
<b>DI</b>	besonders hohe Zündfähigkeit, doppelt ausgeführte, feine Elektroden	<b>F</b>	∅ 14,0	19,0	Dichtring	Hex 16,0	<b>R</b>	<b>Widerstand</b>	<b>2</b>	warme Type	A,B,C... Suffix code		<b>leer</b>	Motorrad : 0,7-0,8 Auto : 0,8-0,9	
		<b>FE</b>	∅ 14,0	19,0	Dichtring	Hex 16,0					<b>4</b>				
<b>I</b>	Zündkerze, Doppeliridium	<b>G</b>	∅ 14,0	19,0	Dichtring	Hex 20,8					<b>5</b>				
<b>L</b>	besonders langes Gewinde	<b>J</b>	∅ 12,0	19,0	Dichtring	Hex 18,0					<b>6</b>				
<b>P</b>	Zündkerze, Doppelplatin	<b>K</b>	∅ 12,0	19,0	Dichtring	Hex 16,0					<b>7</b>				
<b>S</b>	Zündkerze mit hoher Zündwilligkeit: dünn, mit quadratischer Spitze	<b>KA</b>	∅ 12,0	19,0	Dichtring	Hex 14,0					<b>8</b>				
		<b>KB</b>	∅ 12,0	19,0	Dichtring	Bi-Hex 14,0 (Doppelsechskant *)					<b>9</b>				
<b>Z</b>	Vorgezogene Funkenlage	<b>KE</b>	∅ 12,0	19,0	Dichtring	Hex 16,0					<b>10</b>	kalte Type			
Oben angeführte Kennzeichen können kombiniert auftreten <Beispiel>ILFR..., PLZFR... Ist „L“ in der Markierung enthalten, erhält „L“ (lange Gewindelänge). Priorität bei der Gewindelänge. <Beispiel> * Kerze mit Dichtring FR5AP : Gewindelänge 19,0mm ↓ LFR5AP-11 : Gewindelänge 26,5mm  * Kerze mit Kegeldichtring PTR5C-13 : Gewindelänge 17,5mm ↓ PLTR6A-10G : Gewindelänge 25,0mm		<b>KF</b>	∅ 12,0	19,0	Dichtring	Hex 14,0									
		<b>KG</b>	∅ 12,0	19,0	Dichtring	Bi-Hex 14,0 (Doppelsechskant *)									
		<b>L</b>	∅ 10,0	12,7	Dichtring	Hex 16,0									
		<b>M</b>	∅ 10,0	19,0	Dichtring	Hex 16,0									
		<b>MA</b>	∅ 10,0	19,0	Dichtring	Hex 14,0									
		<b>MF</b>	∅ 10,0	19,0	Dichtring	Hex 14,0									
		<b>NA</b>	∅ 12,0	17,5	Kegeldichtring	Hex 14,0									
		<b>T</b>	∅ 14,0	17,5	Kegeldichtring	Hex 16,0									
		<b>U</b>	∅ 14,0	11,2	Kegeldichtring	Hex 16,0									
		<b>W</b>	∅ 18,0	10,9	Kegeldichtring	Hex 20,8									
		<b>X</b>	∅ 14,0	9,5	Dichtring	Hex 20,8									
		<b>Y</b>	∅ 14,0	11,2	Kegeldichtring	Hex 16,0									
		* Ausnahme TR5A-10, TR5A-13, TR5B-13, TR6B-10, TR6B-13, PTR5A-10, PTR5A-13: Gewindelänge 25,0 mm				Doppelsechskant									
		* Doppel-Innensechskant erforderlich.				Sechskant									
		* FFE, KE, KF, KG, MF: Bauart mit längerem freiliegenden Isolator													
										* Wenn am Anfang der Teilenummer „I“ oder „P“ steht ( „I“ oder „P“ nach dem Temperaturwert wird zum nachgestellten Zusatzcode.) <Beispiel> IZFR6P8 bedeutet Iridium-Zündkerze I: Iridium P: Zusatzcode * <Ausnahme> ZFROP-G bedeutet Nickel-Zündkerze				-A kein Dichtring -D Metallhülse: Nickel-beschichtet -E spezieller Widerstand -G Masseelektrode mit Kupferkern -H spezielles Gewinde -J 2 Massen-Elektroden -K schwingungsfeste Masseelektrode -N spezielle Massen-Elektrode -Q 4 Massen-Elektrode -S spezieller Dichtring -T 3 Massen-Elektrode -U Halbleitfunkentyp -IX-P Iridium MAX Kerze LPG 1-8 LaserLine-Zündkerzenserie für gasbetriebene Motoren	



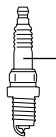
**RE 7 C - L**

RE		7		C		-L	
Zündkerzentyp		Wärmewert		Konstruktion		Elektrodenabstand	
<b>RE</b>	Zündkerze für Wankelmotor	<b>5</b>	warme Type	A,B,C... Suffix code		<b>-L</b>	oberer Totpunkt
<b>SD</b>	Zündkerze für Wankelmotor (Halbleitfunkentyp)	<b>6</b>					
		<b>7</b>					
		<b>8</b>					
		<b>9</b>					
		<b>10</b>					
		<b>11</b>	kalte Type			<b>-T</b>	unterer Totpunkt



**HB 6 A IX - 11 P**

HB		6		A		IX		-11		P	
Zündkerzentyp		Wärmewert		Gewinde-durchmesser	Gewinde-länge	Sitzkonstruktion	Sechskant	Elektrodenabstand			
<b>HB</b>	HYBD (3 Masseelektroden, Hybridbauart)	<b>4</b>	warme Type	<b>A</b>	∅ 14,0	20,5	Dichtring	Hex 16,0	<b>IX</b>	<b>-8</b>	0,8
		<b>5</b>		<b>B</b>	∅ 14,0	19,0	Dichtring	Hex 16,0		<b>-9</b>	0,9
		<b>6</b>								<b>-10</b>	1,0
		<b>7</b>								<b>-11</b>	1,1
		<b>8</b>	kalte Type						<b>-13</b>	1,3	

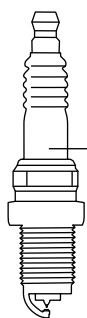


**DF 6 H - 11 A**

DF		6		H		-11		A			
Zündkerzentyp		Wärmewert		Gewinde-durchmesser	Gewinde-länge	Sitzkonstruktion	Sechskant	Elektrodenabstand			
<b>DF</b>	Zündkerze mit hoher Zündwilligkeit (Doppel-elektrode, dünn)	<b>4</b>	warme Type	<b>A</b>	∅ 14,0	19,0	Dichtring	Hex 16,0	<b>-8</b>	0,8	A,B,C... Suffix code
<b>DFH</b>	Zündkerze mit hoher Zündwilligkeit (DF + Hybrid)	<b>5</b>		<b>B</b>	∅ 14,0	26,5	Dichtring	Hex 16,0	<b>-9</b>	0,9	
		<b>6</b>		<b>C</b>	∅ 12,0	26,5	Dichtring	Hex 14,0	<b>-10</b>	1,0	
		<b>7</b>			* DF6H-11A : Gewindelänge 28,0mm				<b>-11</b>	1,1	
		<b>8</b>							<b>-13</b>	1,3	
		<b>9</b>	kalte Type					<b>-15</b>	1,5		



# Comment lire notre numéro de pièce: Bougies



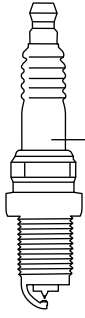
**B P R 5 E S - 11**

Unité : mm

B		P		R		5		E		S		-11		
Diamètre de filetage	Hexagone	Structure		Résistance antiparasitage		Indice thermique		Longueur du filetage		Caractéristiques de conception		Ecartement		
A	∅ 18,0	Hex 25,4	P	Isolant proéminent	R	Résistance	2	Type chaud	E	19,0	B	Olive SAE monbloque (CR8EB)	vide	Moto : 0,7-0,8
B	∅ 14,0	Hex 20,8			Z	Inductance intégrée			4					
BC	∅ 14,0	Hex 16,0	M	Bougie compacte	5	EH	19,0 semi-filetage Culot 19 mm Filetage 12,7	CS	Électrode de masse inclinée		-8	0,8		
BK	∅ 14,0	Hex 16,0	U	Décharge superficielle ou à étincelle semi-surfacique	6								H	12,7
C	∅ 10,0	Hex 16,0			7	8	L	11,2	I		Électrode centrale en iridium	-10		
D	∅ 12,0	Hex 18,0	9	10	vide								Siège conique A(P)-F : 10,9 B(P)-F : 11,2 BM(P)-F : 7,8	IX
DC	∅ 12,0	Hex 16,0	N			Électrode de masse spéciale	-S	Joint spécifique	J		2 électrodes de masse à projection	-13		
E	∅ 8,0	Hex 13,0		P	Électrode de masse simple : Double platine								-E	Résistance spéciale
*Exception B(P)M-A,Y : ∅ 14,0, Hex 19,0 P(P)-(E)F : ∅ 14,0, Hex 16,0 CM-6 : ∅ 10,0, Hex 14,0		BC : Ancienne taille standard JIS La longueur entre le circuit du joint et le contact de la borne est de 53 mm.	LPG 1-8			Gamme de bougies d'allumage LaserLine pour utilisation sur moteur à gaz								
BK : Taille standard ISO/JIS La longueur entre le circuit du joint et le contact de la borne est de 50,5 mm.				Q	4 électrodes de masse		S	Électrode centrale en cuivre	T		3 électrodes de masse	U	à décharge semi-surfacique	Y



# Comment lire notre numéro de pièce: Bougies



**P F R 5 A - 11**

Unité : mm

P		F				R		5		A		-11			
Type		Diamètre de filetage	Longueur du filetage	Configuration du siège	Hexagone	Résistance antiparasitage		Indice thermique		Conception		Distance entre les électrodes			
<b>DI</b>	Haute capacité d'allumage : technologie DFE	<b>F</b>	∅ 14,0	19,0	Joint	Hex 16,0	<b>R</b>	Résistance	<b>2</b>		A,B,C... code suffixe		<b>leer</b>	Moto : 0,7-0,8 Automobile : 0,8-0,9	
		<b>FE</b>	∅ 14,0	19,0	Joint	Hex 16,0			<b>4</b>						
<b>I</b>	Bougie d'allumage double à l'iridium	<b>G</b>	∅ 14,0	19,0	Joint	Hex 20,8			<b>5</b>			<b>I</b>	Électrode centrale en iridium	<b>-7</b>	0,7
<b>L</b>	Filetage extra-long de 26,5mm	<b>J</b>	∅ 12,0	19,0	Joint	Hex 18,0			<b>6</b>						<b>-9</b>
<b>P</b>	Bougie d'allumage double à la platine	<b>K</b>	∅ 12,0	19,0	Joint	Hex 16,0			<b>7</b>					<b>-10</b>	1,0
<b>S</b>	Bougie haute sensibilité à l'allumage : type à pointe carrée fine	<b>KA</b>	∅ 12,0	19,0	Joint	Hex 14,0			<b>8</b>			<b>IX</b>	Gamme Iridium IX	<b>-11</b>	1,1
<b>Z</b>	Extrémité d'allumage projetée	<b>KB</b>	∅ 12,0	19,0	Siège conique	Bi-Hex 14,0 (Bi-hexagonal *)			<b>9</b>						<b>-13</b>
		<b>KE</b>	∅ 12,0	19,0	Joint	Hex 16,0			<b>10</b>			<b>P</b>	Électrode centrale en platine	<b>-15</b>	1,5
		<b>KF</b>	∅ 12,0	19,0	Joint	Hex 14,0									<b>-A</b>
		<b>KG</b>	∅ 12,0	19,0	Joint	Bi-Hex 14,0 (Bi-hexagonal *)								<b>-D</b>	Corps métallique : nickelé
		<b>L</b>	∅ 10,0	12,7	Joint	Hex 16,0							<b>-E</b>	Résistance spéciale	
		<b>M</b>	∅ 10,0	19,0	Joint	Hex 16,0							<b>-G</b>	Électrode de masse à cœur en cuivre	
		<b>MA</b>	∅ 10,0	19,0	Joint	Hex 14,0							<b>-H</b>	Filetage spécial	
		<b>MF</b>	∅ 10,0	19,0	Joint	Hex 14,0							<b>-J</b>	2 électrodes de masse	
		<b>NA</b>	∅ 12,0	17,5	Siège conique	Hex 14,0							<b>-K</b>	Électrode de masse résistante aux vibrations	
		<b>T</b>	∅ 14,0	17,5	Siège conique	Hex 16,0							<b>-N</b>	Électrode de masse spéciale	
		<b>U</b>	∅ 14,0	11,2	Siège conique	Hex 16,0							<b>-Q</b>	4 électrodes de masse	
		<b>W</b>	∅ 18,0	10,9	Siège conique	Hex 20,8							<b>-S</b>	Joint spécifique	
		<b>X</b>	∅ 14,0	9,5	Joint	Hex 20,8							<b>-T</b>	3 électrodes de masse	
		<b>Y</b>	∅ 14,0	11,2	Siège conique	Hex 16,0							<b>-U</b>	Type à décharge sur demi-surface	
													<b>IX-P</b>	Bougie Iridium MAX	
													<b>LPG 1-8</b>	Gamme de bougies d'allumage LaserLine pour moteurs à gaz	

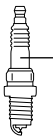
Les caractéristiques citées ci-dessus peuvent être combinées, <Exemple>LFR..., PLZFR...  
Quand « L » est inclus, la priorité est donnée au « L » (longue portée) pour la longueur de filetage.  
<Exemple>  
\*Bougie avec joint d'étanchéité  
FR5AP : longueur de filetage 19,0mm  
↓  
LFR5AP-11 : longueur de filetage 26,5mm  
\*Bougie à siège conique  
PTR5C-13 : longueur de filetage 17,5mm  
↓  
PLTR6A-10G : longueur de filetage 25,0mm

\*Exception TR5A-10, TR5A-13, TR5B-13, TR6B-10, TR6B-13, PTR5A-10, PTR5A-13 : Longueur de filetage 25 mm  
\*Une douille bi-hexagonale est nécessaire.  
\*FE, KE, KF, KG, MF : Type à longueur d'isolant exposé plus longue



**RE 7 C - L**

RE		7		C		-L	
Type		Indice thermique		Conception		Distance entre les électrodes	
<b>RE</b>	Bougie pour moteurs rotatifs	<b>5</b>		A,B,C... code suffixe		<b>-L</b>	Face avant
<b>SD</b>	Bougie pour moteurs rotatifs (écartement des électrodes à décharge sur demi-surface)	<b>6</b>				<b>-T</b>	Face arrière
		<b>7</b>					
		<b>8</b>					
		<b>9</b>					
		<b>10</b>					
		<b>11</b>	Type froid				



**HB 6 A IX - 11 P**

HB		6		A		IX		-11		P	
Type		Indice thermique		Diamètre de filetage	Longueur du filetage	Configuration du siège	Hexagone	Distance entre les électrodes			
<b>HB</b>	HYBD (type hybride à 3 électrodes de masse)	<b>4</b>		<b>A</b>	∅ 14,0	20,5	Joint	Hex 16,0	<b>IX</b>	<b>-8</b>	0,8
		<b>5</b>		<b>B</b>	∅ 14,0	19,0	Joint	Hex 16,0		<b>-9</b>	0,9
		<b>6</b>								<b>-10</b>	1,0
		<b>7</b>								<b>-11</b>	1,1
		<b>8</b>	Type froid						<b>-13</b>	1,3	

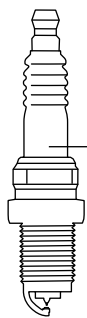


**DF 6 H A - 11 A**

DF		6		H		-11		A		
Type		Indice thermique		Diamètre de filetage	Longueur du filetage	Configuration du siège	Hexagone	Distance entre les électrodes		
<b>DF</b>	Bougie haute sensibilité à l'allumage	<b>4</b>		<b>A</b>	∅ 14,0	19,0	Joint	Hex 16,0	<b>-8</b>	0,8
<b>DFH</b>	Bougie haute sensibilité à l'allumage (DF + type hybride)	<b>5</b>		<b>B</b>	∅ 14,0	26,5	Joint	Hex 16,0	<b>-9</b>	0,9
		<b>6</b>		<b>C</b>	∅ 12,0	26,5	Joint	Hex 14,0	<b>-10</b>	1,0
		<b>7</b>							<b>-11</b>	1,1
		<b>8</b>							<b>-13</b>	1,3
		<b>9</b>	Type froid					<b>-15</b>	1,5	

\*DF6H-11A : Longueur du filetage 28,0 mm

# Come leggere il nostro numero del pezzo: Candele di accensione



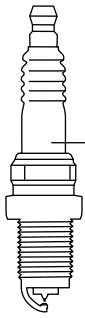
**B P R 5 E S - 11**

Unità: mm

B		P		R		5		E		S		-11			
Diametro filettatura	esagono	Struttura		Resistore		Grado termico		Lunghezza filettatura		Caratteristiche costruttive		Gap			
<b>A</b>	∅ 18,0	Hex 25,4	<b>P</b>	punta isolatore prominente	<b>R</b>	Candela resistiva	<b>2</b>		<b>E</b>	19,0	<b>B</b>	terminale SAE fisso (CR8EB)	<b>leer</b>	Motociclo : 0,7-0,8 Auto : 0,8-0,9	
<b>B</b>	∅ 14,0	Hex 20,8	<b>M</b>	Candela compatta del tipo Bantam	<b>Z</b>	resistenza induttiva	<b>4</b>		<b>EF</b>	17,5	<b>CM</b>	Elettrodo inclinato di messa a terra Tipo compatto (lunghezza isolante visibile: 18,5)			
<b>BC</b>	∅ 14,0	Hex 16,0	<b>U</b>	Candela a scarica superficiale o semisuperficiale			<b>5</b>		<b>EH</b>	19,0 parzialmente filettata	<b>CS</b>	Elettrodo inclinato di messa a terra	<b>-8</b>	0,8	
<b>BK</b>	∅ 14,0	Hex 16,0					<b>6</b>		<b>H</b>	12,7	<b>G,GV</b>	Candela Racing	<b>-9</b>	0,9	
<b>C</b>	∅ 10,0	Hex 16,0					<b>7</b>		<b>L</b>	11,2	<b>I</b>	Elettrodo centrale in iridio	<b>-10</b>	1,0	
<b>D</b>	∅ 12,0	Hex 18,0					<b>8</b>		<b>vuoto</b>	Sede conica A(P)F : 10,9 B(P)F : 11,2 BM(P)F : 7,8	<b>IX</b>	Candela Iridium IX	<b>-11</b>	1,1	
<b>DC</b>	∅ 12,0	Hex 16,0					<b>9</b>			Candela del tipo piccolo B(P)M- : 9,5 B-LM : 9,5 CM- : 9,5 CM-6 : 8,6 C-50 : 8,5	<b>J</b>	2 elettrodi di messa a terra prominenti	<b>-13</b>	1,3	
<b>E</b>	∅ 8,0	Hex 13,0					<b>10</b>				<b>K</b>	2 elettrodi di messa a terra	<b>-15</b>	1,5	
* Eccezione B(P)M-A,Y : ∅ 14,0, Hex 19,0 P(P)-(E)F : ∅ 14,0, Hex 16,0 CM-6 : ∅ 10,0, Hex 14,0											<b>-LM</b>	Tipi compatti (lunghezza isolatore: 14,5)			
BC : Misura standard JIS precedente La lunghezza dalla guarnizione del circuito al terminale è di 53 mm.											<b>N</b>	elettrodo di massa irrobustito	<b>-S</b>	guarnizione anulare speciale	
BK : Misura standard ISO / JIS La lunghezza dalla guarnizione del circuito al terminale è di 50,5 mm.										<b>P</b>	elettrodo al platino Elettrodo di messa a terra singolo: Platino doppio	<b>-E</b>	Resistenza speciale		
											Elettrodo con messa a terra multipla: Elettrodo centrale singolo in platino	<b>IX-P</b>	Candela all'iridio MAX		
										<b>Q</b>	4 elettrodi di messa a terra	<b>LPG 1-8</b>	Gamma di candele LaserLine per motori a gas		
										<b>S</b>	Tipo standard				
										<b>T</b>	3 elettrodi di messa a terra				
										<b>U</b>	Tipo a scarica semi-superficiale				
										<b>Y</b>	Elettrodo centrale scanalato a V - V grooved -				
										<b>Z</b>	struttura speciale				



# Come leggere il nostro numero del pezzo: Candele di accensione



**P F R 5 A - 11**

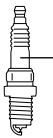
Unità: mm

P		F				R		5		A		-11		
Tipo candela		Diametro filettatura	Lunghezza filettatura	Configurazione della sede	esagono	Resistore		Grado termico		Costruzione		Gap		
<b>DI</b>	candela ad elevatissima accendibilità tipo DFE (Double Fine electrodes)	<b>F</b> Ø 14,0	19,0	Guarnizione anulare	Hex 16,0	<b>R</b>	Resistenza	<b>2</b>		A,B,C... Suffix code		<b>vuoto</b>	Motociclo: 0,7-0,8 Auto: 0,8-0,9	
		<b>FE</b> Ø 14,0	19,0	Guarnizione anulare	Hex 16,0			<b>4</b>						
<b>I</b>	Candele al doppio iridio	<b>G</b> Ø 14,0	19,0	Guarnizione anulare	Hex 20,8			<b>5</b>					<b>-7</b>	0,7
<b>L</b>	candela a filettatura estesa	<b>J</b> Ø 12,0	19,0	Guarnizione anulare	Hex 18,0			<b>6</b>					<b>-9</b>	0,9
<b>P</b>	Candele al doppio platino	<b>K</b> Ø 12,0	19,0	Guarnizione anulare	Hex 16,0			<b>7</b>			<b>I</b>	Elettrodo centrale in iridio	<b>-10</b>	1,0
<b>S</b>	Alta accendibilità della candela: punta del tipo sottile quadrangolare	<b>KA</b> Ø 12,0	19,0	Guarnizione anulare	Hex 14,0			<b>8</b>			<b>IX</b>	Candela Iridium IX	<b>-11</b>	1,1
		<b>KB</b> Ø 12,0	19,0	Guarnizione anulare	Bi-Hex 14,0 (Bi-esagonale *)			<b>9</b>			<b>P</b>	Elettrodo centrale in platino	<b>-13</b>	1,3
		<b>KE</b> Ø 12,0	19,0	Guarnizione anulare	Hex 16,0			<b>10</b>		candela fredda			<b>-15</b>	1,5
<b>Z</b>	Elettrodo prominente	<b>KF</b> Ø 12,0	19,0	Guarnizione anulare	Hex 14,0								<b>-A</b>	senza guarnizione anulare
		<b>KG</b> Ø 12,0	19,0	Guarnizione anulare	Hex 14,0								<b>-D</b>	Supporto in metallo: nichelatura
I codici sopraindicati possono presentarsi in varie combinazioni, <Esempio>ILFR..., PLZFR..., Quando è inclusa una „L“, la priorità viene data alla „L“ (braccio lungo) per la lunghezza della filettatura.		<b>L</b> Ø 10,0	12,7	Guarnizione anulare	Hex 16,0							<b>-E</b>	resistenza speciale	
<Esempio> *Candela con guarnizione anulare		<b>M</b> Ø 10,0	19,0	Guarnizione anulare	Hex 16,0							<b>-G</b>	Elettrodo di terra con nucleo in rame	
FR5AP : lunghezza filettatura 19,0mm		<b>MA</b> Ø 10,0	19,0	Guarnizione anulare	Hex 14,0							<b>-H</b>	Filettatura speciale	
LFR5AP-11 : lunghezza filettatura 26,5mm		<b>MF</b> Ø 10,0	19,0	Guarnizione anulare	Hex 14,0							<b>-J</b>	2 elettrodi di massa	
*Candela con sede conica		<b>NA</b> Ø 12,0	17,5	Sede conica	Hex 14,0							<b>-K</b>	Elettrodo di terra resistente alle vibrazioni	
PTR5C-13 : lunghezza filettatura 17,5mm		<b>T</b> Ø 14,0	17,5	Sede conica	Hex 16,0							<b>-N</b>	Elettrodo di massa speciale	
PLTR6A-10G : lunghezza filettatura 25,0mm		<b>U</b> Ø 14,0	11,2	Sede conica	Hex 16,0							<b>-Q</b>	4 elettrodi di massa	
		<b>W</b> Ø 18,0	10,9	Sede conica	Hex 20,8							<b>-S</b>	Guarnizione anulare speciale	
		<b>X</b> Ø 14,0	9,5	Guarnizione anulare	Hex 20,8							<b>-T</b>	3 elettrodi di massa	
		<b>Y</b> Ø 14,0	11,2	Sede conica	Hex 16,0							<b>-U</b>	Tipo a scarica semi-superficiale	
					Bi-esagonale							<b>IX-P</b>	Candela all'iridio MAX	
					Esagonale							<b>LPG 1-8</b>	Gamma di candele LaserLine per motori a gas	



**RE 7 C - L**

RE		7		C		-L	
Tipo candela		Grado termico		Costruzione		Gap	
<b>RE</b>	Candela per motori rotativi	<b>5</b>		A,B,C... Suffix code		<b>-L</b>	Leading side
<b>SD</b>	Candela per motori rotativi (distanza tra gli elettrodi a scarica semi-superficiale)	<b>6</b>				<b>-T</b>	Trading side
		<b>7</b>					
		<b>8</b>					
		<b>9</b>					
		<b>11</b>		candela fredda			



**HB 6 A IX - 11 P**

HB		6		A				IX		-11		P	
Tipo candela		Grado termico		Diametro filettatura	Lunghezza filettatura	Configurazione della sede	esagono			Gap			
<b>HB</b>	HYBD (tipo ibrido con 3 elettrodi di messa a terra)	<b>4</b>		<b>A</b> Ø 14,0	20,5	Guarnizione anulare	Hex 16,0	<b>IX</b>	<b>-8</b>	0,8			
		<b>5</b>		<b>B</b> Ø 14,0	19,0	Guarnizione anulare	Hex 16,0		<b>-9</b>	0,9			
		<b>6</b>							<b>-10</b>	1,0			
		<b>7</b>		candela fredda					<b>-11</b>	1,1			
		<b>8</b>						<b>-13</b>	1,3				



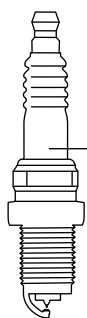
**DF 6 H - 11 A**

DF		6		H				-11		A	
Tipo candela		Grado termico		Diametro filettatura	Lunghezza filettatura	Configurazione della sede	esagono	Gap			
<b>DF</b>	Candela ad alta accendibilità (elettrodi sottili doppi)	<b>4</b>		<b>A</b> Ø 14,0	19,0	Guarnizione anulare	Hex 16,0	<b>-8</b>	0,8	A,B,C... Suffix code	
		<b>5</b>		<b>B</b> Ø 14,0	26,5	Guarnizione anulare	Hex 16,0	<b>-9</b>	0,9		
<b>DFH</b>	Candela ad alta accendibilità (DF + tipo ibrido)	<b>6</b>		<b>C</b> Ø 12,0	26,5	Guarnizione anulare	Hex 14,0	<b>-10</b>	1,0		
		<b>7</b>		*DF6H-11A : Lunghezza filettatura 28,0mm				<b>-11</b>	1,1		
		<b>8</b>						<b>-13</b>	1,3		
		<b>9</b>	candela fredda				<b>-15</b>	1,5			



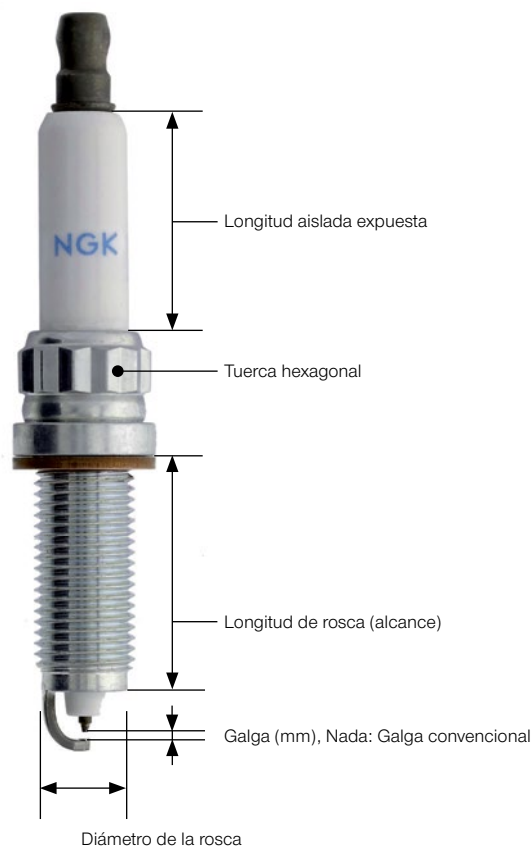


# Cómo leer nuestros números de pieza: Bujías

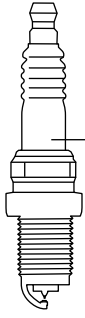


Unidad: mm

B		P		R		5		E		S		-11			
Diámetro de la rosca	Tamaño del Hexágono	Estructura		Construcción / Características		Grado térmico		Longitud de la rosca		Características constructivas		Galga (mm), Nada: Galga convencional			
A	φ 18,0	Hex 25,4	P	Tipo aislador proyectado	R	Tipo Resistencia	2		E	19,0	B	Tuerca terminal SAE fija (CR8EB)	vacio	Motocicleta: 0,7 - 0,8 mm	
B	φ 14,0	Hex 20,8			Z	Tipo Resistencia inductiva	4		EF	17,5	CM	Electrodo de masa inclinado Tipo compacto (longitud de aislador expuesto: 18,5)		Automóvil: 0,8 - 0,9 mm	
BC	φ 14,0	Hex 16,0	M	Tipo Compacto (Bantam)	5	EH	Media rosca, Total: 19,00 mm, Rosca l: 12,7 mm		CS	Electrodo de masa inclinado	-8	0,8			
BK	φ 14,0	Hex 16,0	U	Tipo descarga superficial o semi-superficial	6	H	12,7		G,GV	Bujía de competición	-9	0,9			
C	φ 10,0	Hex 16,0			7	L	11,2		I	Electrodo central de iridio	-10	1,0			
D	φ 12,0	Hex 18,0			8	vacio	Asiento cónico A(P)-F : 10,9 B(P)-F : 11,2 BM(P)-F : 7,8		IX	Electrodo de iridio IX	-11	1,1			
DC	φ 12,0	Hex 16,0			9		Bujía de tipo pequeño B(P)M- : 9,5 B-LM : 9,5 CM- : 9,5 CM-6 : 8,6 C-50 : 8,5		J	2 electrodos de masa prominentes	-13	1,3			
E	φ 8,0	Hex 13,0			10		K		2 electrodos de masa	-15	1,5				
*Excepción B(P)M-A,Y : φ 14,0, Hex 19,0 P(P)-(E)F : φ 14,0, Hex 16,0 CM-6 : φ 10,0, Hex 14,0		BC : Altura JIS estándar antigua La longitud desde el asiento a la parte superior del terminal es de 53,0 mm.													
BK : Altura estándar ISO/JIS La longitud desde el asiento a la parte superior del terminal es de 50,5 mm.															
										N		Electrodo especial de masa	-S	Junta especial	
										P		Electrodo de platino Un solo electrodo de masa: doble platino  Varios electrodos de masa: platino sencillo en el electrodo central	-E	Resistencia especial	
												Q	4 electrodos de masa	IX-P	Bujía Iridium MAX
												S	Tipo estándar	LPG 1-8	Gama de bujías Laser_line para motores de gas
												T	3 electrodos de masa		
												U	Tipo descarga semi superficial		
												Y	Electrodo central con ranurado en V		
												Z	Fabricación especial		



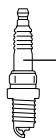
# Cómo leer nuestros números de pieza: Bujías



**P F R 5 A - 11**

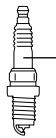
Unidad: mm

P		F				R		5		A		-11				
Tipo de bujía		Diámetro de la rosca	longitud de rosca	Configuración de asiento	Tamaño del Hexágono	Resistencia		Grado térmico		Construcción		Galga (mm), Nada: Galga convencional				
<b>DI</b>	Gran apacidad de inflamación electrodo extra fino	<b>F</b>	∅ 14,0	19,0	Con Junta	Hex 16,0	<b>R</b>	Resistencia	<b>2</b>		A,B,C... Código de sufijo		<b>vacío</b>	Motocicleta: 0,7-0,8 Automóvil: 0,8-0,9		
		<b>FE</b>	∅ 14,0	19,0	Con Junta	Hex 16,0			<b>4</b>							
<b>I</b>	Bujía de doble iridio	<b>G</b>	∅ 14,0	19,0	Con Junta	Hex 20,8			<b>5</b>							
<b>L</b>	Rosca extralarga	<b>J</b>	∅ 12,0	19,0	Con Junta	Hex 18,0			<b>6</b>							
<b>P</b>	Bujía de doble platino	<b>K</b>	∅ 12,0	19,0	Con Junta	Hex 16,0			<b>7</b>							
<b>S</b>	Bujía de alta inflamabilidad: tipo de punta cuadrada fina	<b>KA</b>	∅ 12,0	19,0	Con Junta	Hex 14,0			<b>8</b>							
		<b>KB</b>	∅ 12,0	19,0	Con Junta	Bi-Hex 14,0 (Bi-hexagonal *)			<b>9</b>							
<b>Z</b>	Extremo de encendido protuberante	<b>KE</b>	∅ 12,0	19,0	Con Junta	Hex 16,0			<b>10</b>		<b>10</b>	<b>F</b>	<b>P</b>	Electrodo central de platino	<b>-10</b>	1,0
Las características arriba nombrada pueden aparecer combinadas, <Ejemplo>ILFR..., PLZFR... Cuando se incluye „L“, se da prioridad a „L“ (alcance largo) en longitud de rosca. <Ejemplo> * Bujía con junta FR5AP-11; longitud de rosca ↓ 19,0 mm LFR5AP-11; longitud de rosca ↓ 26,5mm * Bujía con asiento cónico PTR5C-13; longitud de rosca ↓ 17,5 mm PLTR6A-10G; longitud de rosca ↓ 25,0 mm * Excepción TR5A-10, TR5A-13, TR5B-13, TR6B-10, TR6B-13, PTR5A-10, PT- R5A-13: Longitud de la rosca 25,0 mm * Se necesita una llave de vaso bihexagonal. * FE, KE, KF, KG, MF: Tipo de longitud de aislador expuesto mayor		<b>KF</b>	∅ 12,0	19,0	Con Junta	Hex 14,0					Caliente	Electrodo de iridio IX		<b>-11</b>	1,1	
		<b>KG</b>	∅ 12,0	19,0	Con Junta	Bi-Hex 14,0 (Bi-hexagonal *)							Frio	Electrodo de iridio IX		<b>-13</b>
		<b>L</b>	∅ 10,0	12,7	Con Junta	Hex 16,0			Electrodo central de iridio		<b>-15</b>			1,5		
		<b>M</b>	∅ 10,0	19,0	Con Junta	Hex 16,0			Electrodo central de platino		<b>-A</b>	Sin junta				
		<b>MA</b>	∅ 10,0	19,0	Con Junta	Hex 14,0			* Cuando hay una „I“ o una „P“ al principio de un número de pieza („I“ o „P“ después del grado térmico se convierte en sufijo). <Ejemplo> IZFR6P8 es una bujía de Iridio I: Iridio P: Sufijo * <Excepción> ZFR6P-G es una bujía de níquel		<b>-D</b>	Carcasa de metal: chapada en níquel				
		<b>MF</b>	∅ 10,0	19,0	Con Junta	Hex 14,0					<b>-E</b>	Resistencia especial				
		<b>NA</b>	∅ 12,0	17,5	Asiento cónico	Hex 14,0					<b>-G</b>	Electrodo de masa con núcleo de cobre				
		<b>T</b>	∅ 14,0	17,5	Asiento cónico	Hex 16,0					<b>-H</b>	Rosca especial				
		<b>U</b>	∅ 14,0	11,2	Asiento cónico	Hex 16,0					<b>-J</b>	2 electrodos de masa				
		<b>W</b>	∅ 18,0	10,9	Asiento cónico	Hex 20,8					<b>-K</b>	Electrodo de masa resistente a las vibraciones				
<b>X</b>	∅ 14,0	9,5	Dichtring	Hex 20,8					<b>-N</b>	Electrodo de masa especial						
<b>Y</b>	∅ 14,0	11,2	Asiento cónico	Hex 16,0					<b>-Q</b>	4 electrodos de masa						
									<b>-S</b>	Junta especial						
									<b>-T</b>	3 electrodos de masa						
									<b>-U</b>	Tipo de descarga semi-superficial						
									<b>IX-P</b>	Bujía Iridium MAX						
									<b>LPG 1-8</b>	Gama de bujías LaserLine para motores de gas						



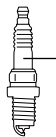
**RE 7 C - L**

RE		7		C		-L	
Tipo de bujía		Grado térmico		Construcción		Galga (mm), Nada: Galga convencional	
<b>RE</b>	Bujía para motores rotativos	<b>5</b>		A,B,C... Código de sufijo		<b>-L</b>	Lado avanzado
<b>SD</b>	Bujía para motores rotativos (separación entre electrodos de descarga semi-superficial)	<b>6</b>				<b>-T</b>	Lado retrasado
		<b>7</b>					
		<b>8</b>					
		<b>9</b>					
		<b>10</b>					
<b>11</b>							



**HB 6 A IX - 11 P**

HB		6		A		IX		-11		P	
Tipo de bujía		Grado térmico		Diámetro de la rosca	longitud de rosca	Configuración de asiento	Tamaño del Hexágono	Galga (mm), Nada: Galga convencional			
<b>HB</b>	HYBD (3 electrodos de masa tipo híbrido)	<b>4</b>		<b>A</b>	∅ 14,0	20,5	Con Junta	Hex 16,0	<b>IX</b>	<b>-8</b>	0,8
		<b>5</b>		<b>B</b>	∅ 14,0	19,0	Con Junta	Hex 16,0		<b>-9</b>	0,9
<b>6</b>								<b>-10</b>	1,0		
<b>7</b>								<b>-11</b>	1,1		
		<b>8</b>							<b>-13</b>	1,3	



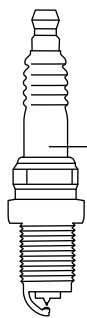
**DF 6 H - 11 A**

DF		6		H		-11		A			
Tipo de bujía		Grado térmico		Diámetro de la rosca	longitud de rosca	Configuración de asiento	Tamaño del Hexágono	Galga (mm), Nada: Galga convencional			
<b>DF</b>	Bujía de alta inflamabilidad (electrodos finos dobles)	<b>4</b>		<b>A</b>	∅ 14,0	19,0	Con Junta	Hex 16,0	<b>-8</b>	0,8	
		<b>5</b>		<b>B</b>	∅ 14,0	26,5	Con Junta	Hex 16,0		<b>-9</b>	0,9
<b>DFH</b>	Bujía de alta inflamabilidad (DF + tipo híbrido)	<b>6</b>		<b>C</b>	∅ 12,0	26,5	Con Junta	Hex 14,0		<b>-10</b>	1,0
		<b>7</b>							<b>-11</b>	1,1	
		<b>8</b>							<b>-13</b>	1,3	
		<b>9</b>						<b>-15</b>	1,5		

\* DF6H-11A : Longitud de la rosca 28,0 mm



# Hoe moet ons onderdeelnummer worden gelezen: Bougies

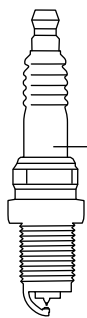


Eenheid: mm

B		P		R		5		E		S		-11		
Schroefdraaddiameter	Zeskant	Structuur		Ontstoringweerstand		Warmtewaarde		Schroefdraadlengte		Constructiekenmerken		Elektrodeafstand		
A	∅ 18,0 Hex 25,4	P	Verschoven isolatorpunt	R	Weerstand	2	<p>Warm type</p> <p>Koud type</p>	E	19,0	B	aste SAE-aansluitmoer (CR8EB)		Leeg	Motorrijwiel : 0,7-0,8 Auto : 0,8-0,9
B	∅ 14,0 Hex 20,8			Z	Inductieve weerstand	4		EF	17,5		CM	Schuine massa-elektrode Compact type (Onbeschermd isolatorlengte: 18,5)		
BC	∅ 14,0 Hex 16,0	M	Compacte bougie			5		Leeg	EH	19,0 voor de helft uitgevoerd		CS	Schuine massa-elektrode	
BK	∅ 14,0 Hex 16,0					U				Glijvonk-type of extra vonktraject	6		H	12,7
C	∅ 10,0 Hex 16,0	8	L						11,2		I	Middenelektrode van iridium		
D	∅ 12,0 Hex 18,0					9			IX	Iridium bougie		-11	1,1	
DC	∅ 12,0 Hex 16,0	10	J							2-projecterende-massa-elektrodes			-13	1,3
E	∅ 8,0 Hex 13,0					K			2-massa-elektrodes		-15	1,5		
*Uitzondering B(P)M-A,Y : ∅ 14,0, Hex 19,0 P(P)-(E)F : ∅ 14,0, Hex 16,0 CM-6 : ∅ 10,0, Hex 14,0		N	Speciale massa-elektrode						-S	Speciale dichtring				
BC : Oude JIS-standaardgrootte De lengte van pakkingcircuit naar eindcontact bedraagt 53,0 mm.			P			Platina elektrode Enkele massa-elektrode Meerdere massa-elektrodes van dubbel platina: Enkel platina in middenelektrode				-E	Speciale weerstand			
BK : ISO / JIS standaardgrootte De lengte van pakkingcircuit naar eindcontact bedraagt 50,5 mm.		Q				4-massa-elektrodes			IX-P		Iridium MAX-bougie			
			S			Standaard type				LPG 1-8	LaserLine bougieassortiment voor gebruik in gasmotoren			
		T		3-massa-elektrodes										
			U	Type halfglijvonk										
		Y		Middenelektrode met V-inkepin										
			Z	Speciale constructie										



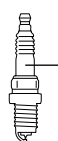
# Hoe moet ons onderdeelnummer worden gelezen: Bougies



**P F R 5 A - 11**

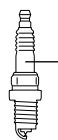
Eenheid: mm

P		F				R		5		A		-11	
Bougie Type		Schroefdraad-diameter	Schroefdraad-lengte	Zitting-configuratie	Zeskant	Ontstoringseerstand		Warmtewaarde		Constructie		Elektrodeafstand	
<b>DI</b>	Extremе onbrandbaarheid, dubbel uitgevoerde, fijne elektroden	<b>F</b> ø 14,0	19,0	Dichtring	Hex 16,0	<b>R</b>	Resistance	<b>2</b>	Warm type	A,B,C... Suffix code		<b>leer</b>	Motorrijwiel : 0,7-0,8
		<b>FE</b> ø 14,0	19,0	Dichtring	Hex 16,0					<b>4</b>	Auto : 0,8-0,9		
<b>I</b>	Dubbel iridium bougie	<b>G</b> ø 14,0	19,0	Dichtring	Hex 20,8			<b>5</b>				<b>-7</b>	0,7
<b>L</b>	Bijzonder lange schroefdraad 26,5mm	<b>J</b> ø 12,0	19,0	Dichtring	Hex 18,0			<b>6</b>				<b>-9</b>	0,9
<b>P</b>	Dubbel platina bougie	<b>K</b> ø 12,0	19,0	Dichtring	Hex 16,0			<b>7</b>		<b>I</b>	Middenelektrode van iridium	<b>-10</b>	1,0
<b>S</b>	Hoog ontvlambare bougie: type dun vierkant uiteinde	<b>KA</b> ø 12,0	19,0	Dichtring	Hex 14,0			<b>8</b>		<b>IX</b>	Iridium bougie	<b>-11</b>	1,1
<b>Z</b>	Uitstekende elektrode	<b>KB</b> ø 12,0	19,0	Conische zitting	Bi-Hex 14,0 (Dubbele zeskant *)			<b>9</b>		<b>P</b>	Middenelektrode van platina	<b>-13</b>	1,3
		<b>KE</b> ø 12,0	19,0	Dichtring	Hex 16,0			<b>10</b>		* Wanneer „I“ of „P“ aan het begin van het onderdeelnummer staat („I“ of „P“ na warmtegraad wordt suffixcode.) <Voorbeeld> IZFR6P8 is iridium bougie I: Iridium P: Suffixcode * <Uitzondering> ZFR0P-G is bougie van nikkel		<b>-15</b>	1,5
	Hierboven genoemd kenmerken kunnen gecombineerd optreden, <Voorbeeld>ILFR..., PLZFR... Wanneer „L“ is inbegrepen, wordt in de draadlengte prioriteit aan „L“ (lang bereik) gegeven. <Voorbeeld> * Bougie met dichtring FR5AP : draadlengte 19,0mm ↓ LFR5AP-11 : draadlengte 26,5mm * Bougie met conische zitting PTR5C-13 : draadlengte 17,5mm ↓ PLTR6A-10G : draadlengte 25,0mm	<b>KF</b> ø 12,0	19,0	Dichtring	Hex 14,0							<b>-A</b>	Geen dichtring
		<b>KG</b> ø 12,0	19,0	Dichtring	Bi-Hex 14,0 (Dubbele zeskant *)							<b>-D</b>	Metalen behuizing: vernikkeld
		<b>L</b> ø 10,0	12,7	Dichtring	Hex 16,0							<b>-E</b>	Speciale weerstand
		<b>M</b> ø 10,0	19,0	Dichtring	Hex 16,0							<b>-G</b>	Massa-elektrode met koperen kern
		<b>MA</b> ø 10,0	19,0	Dichtring	Hex 14,0						<b>-H</b>	Speciale schroefdraad	
		<b>MF</b> ø 10,0	19,0	Dichtring	Hex 14,0						<b>-J</b>	2 massa-elektroden	
		<b>NA</b> ø 12,0	17,5	Conische zitting	Hex 14,0						<b>-K</b>	Tribbestendige massa-elektrode	
		<b>T</b> ø 14,0	17,5	Conische zitting	Hex 16,0						<b>-N</b>	Speciale massa-elektrode	
		<b>U</b> ø 14,0	11,2	Conische zitting	Hex 16,0						<b>-Q</b>	4 massa-elektroden	
		<b>W</b> ø 18,0	10,9	Conische zitting	Hex 20,8						<b>-S</b>	Speciale dichtring	
		<b>X</b> ø 14,0	9,5	Dichtring	Hex 20,8						<b>-T</b>	3 massa-elektroden	
		<b>Y</b> ø 14,0	11,2	Conische zitting	Hex 16,0						<b>-U</b>	Type halfglijvonkntsteking	
					Dubbele zeskant						<b>IX-P</b>	Iridium MAX-bougie	
											<b>LPG 1-8</b>	LaserLine bougieassortiment voor gasmotoren	



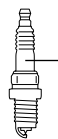
**RE 7 C - L**

RE		7		C		-L	
Bougie Type		Warmtewaarde		Constructie		Elektrodeafstand	
<b>RE</b>	Bougie voor rotatiemotoren	<b>5</b>		A,B,C... Suffix code		<b>-L</b>	Geleidende zijde
<b>SD</b>	Bougie voor rotatiemotoren (Opening halfglijvonkntsteking)	<b>6</b>				<b>-T</b>	Uitwisellende zijde
		<b>7</b>					
		<b>8</b>					
		<b>9</b>					
		<b>10</b>					
		<b>11</b>					



**HB 6 A IX - 11 P**

HB		6		A				IX	-11		P
Bougie Type		Warmtewaarde		Schroefdraad-diameter	Schroefdraad-lengte	Zitting-configuratie	Zeskant		Elektrodeafstand		
<b>HB</b>	HYBD (3-massa-elektrode hybride type)	<b>4</b>		<b>A</b> ø 14,0	20,5	Joint	Hex 16,0	<b>IX</b>	<b>-8</b>	0,8	
		<b>5</b>		<b>B</b> ø 14,0	19,0	Joint	Hex 16,0		<b>-9</b>	0,9	
		<b>6</b>							<b>-10</b>	1,0	
		<b>7</b>							<b>-11</b>	1,1	
		<b>8</b>						<b>-13</b>	1,3		

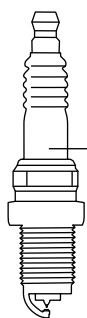


**DF 6 H - 11 A**

DF		6		H				-11		A
Bougie Type		Warmtewaarde		Schroefdraad-diameter	Schroefdraad-lengte	Zitting-configuratie	Zeskant	Elektrodeafstand		
<b>DF</b>	Hoog ontvlambare bougie (Dubbele fijne elektrodes)	<b>4</b>		<b>A</b> ø 14,0	19,0	Joint	Hex 16,0	<b>-8</b>	0,8	A,B,C... Suffix code
<b>DFH</b>	Hoog ontvlambare bougie (DF + hybride type)	<b>5</b>		<b>B</b> ø 14,0	26,5	Joint	Hex 16,0	<b>-9</b>	0,9	
		<b>6</b>		<b>C</b> ø 12,0	26,5	Joint	Hex 14,0	<b>-10</b>	1,0	
		<b>7</b>				* DF6H-11A : Schroefdraadlengte 28,0 mm		<b>-11</b>	1,1	
		<b>8</b>						<b>-13</b>	1,3	
		<b>9</b>					<b>-15</b>	1,5		



# Como ler o nosso número de peça: Velas de ignição



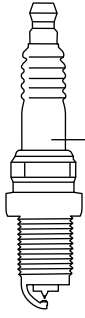
**B P R 5 E S - 11**

Unidade : mm

B		P		R		5		E		S		-11		
Tamanho da rosca	Tamanho do hexágono	Estrutura		Construçã		Número de potência térmica		Alcance da rosca		Características construtivas		Espaço da vela (mm)		
A	φ 18,0	Hex 25,4	P	Isolador projetado	R	Resistência	2		E	19,0	B	Porca SAE fixa (CR8EB)		
B	φ 14,0	Hex 20,8			Z	Resistência indutiva	4		EF	17,5		CM	Eléctrodo de terra oblíquo Tipo compacto (Comprimento do isolador exposto: 18,5)	Vazio
BC	φ 14,0	Hex 16,0	M	Vela compacta (Bantam)	5	EH	19,0 executado até à metade		CS	Eléctrodo de terra oblíquo	-8	0,8		
BK	φ 14,0	Hex 16,0	U	Descarga superficial ou semi-surface	6	H	12,7		G,GV	Vela de competição	-9	0,9		
C	φ 10,0	Hex 16,0			7	L	11,2		I	Eléctrodo central de irídio	-10	1,0		
D	φ 12,0	Hex 18,0			8	IX			IX	Vela de irídio	-11	1,1		
DC	φ 12,0	Hex 16,0			9	Vazio	Assento cónico A(P)-F : 10,9 B(P)-F : 11,2 BM(P)-F : 7,8		J	2 eléctrodos de terra projetores	-13	1,3		
E	φ 8,0	Hex 13,0			10	Ficha de tipo pequeno B(P)M- : 9,5 B-LM : 9,5 CM- : 9,5 CM-6 : 8,6 C-50 : 8,5	K		2 eléctrodos de terra	-15	1,5			
*Exceção B(P)M-A,Y : φ 14,0, Hex 19,0 P(P)-(E)F : φ 14,0, Hex 16,0 CM-6 : φ 10,0, Hex 14,0		BC : Antigo JIS tamanho padrão O comprimento do circuito da junta ao contacto terminal é de 53,0 mm.		BK : ISO / JIS tamanho padrão O comprimento do circuito da junta ao contacto terminal é de 50,5mm.							-LM		Tipo compacto (Comprimento isolador: 14,5mm)	
											N		Eléctrodo de massa especial	
										P		Eléctrodo de platin Eléctrodo de terra simples: Dupla platina  Eléctrodo de multi-terra: Platina simples em eléctrodo central		
										Q		4 eléctrodos de terra		
										S		Tipo padrão		
										T		3 eléctrodos de terra		
										U		Tipo faísca semi-deslizante		
										Y		Eléctrodo central com corte em V		
										Z		Construção especial		
										-E		Resistência especial		
										IX-P		Ficha MAX de Iridio		
										LPG 1-8		LGamma de vela de ignição LaserLine para uso em motor a gás		



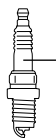
# Como ler o nosso número de peça: Velas de ignição



**P F R 5 A - 11**

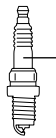
Unidade : mm

P		F				R		5		A		-11			
Tipo de vela		Tamanho da rosca	Tamanho da rosca	Configuração do assento	Tamanho do hexágono	Construção		Número de potência térmica		Construção		Espaço da vela			
<b>DI</b>	Ignibilidade especialmente alta, eléctrodos finos de execução dupla	<b>F</b>	∅ 14,0	19,0	Junta circular	Hex 16,0	<b>R</b>	Resistência	<b>2</b>		A,B,C... Código sufixo		<b>vacio</b>	Mota: 0,7-0,8 Carro: 0,8-0,9	
		<b>FE</b>	∅ 14,0	19,0	Junta circular	Hex 16,0			<b>4</b>						
<b>I</b>	Vela de ignição de irídio duplo	<b>G</b>	∅ 14,0	19,0	Junta circular	Hex 20,8			<b>5</b>					<b>-7</b>	0,7
<b>L</b>	Rosca especialmente longa	<b>J</b>	∅ 12,0	19,0	Junta circular	Hex 18,0			<b>6</b>					<b>-9</b>	0,9
<b>P</b>	Vela de ignição de platina dupla	<b>K</b>	∅ 12,0	19,0	Junta circular	Hex 16,0			<b>7</b>			<b>I</b>	Eléctrodo central de irídio	<b>-10</b>	1,0
<b>S</b>	Ficha de alta inflamabilidade: tipo ponta quadrada fina	<b>KA</b>	∅ 12,0	19,0	Junta circular	Hex 14,0			<b>8</b>					<b>-11</b>	1,1
		<b>KB</b>	∅ 12,0	19,0	Junta circular	Bi-Hex 14,0 (Bi-sextavado *)			<b>9</b>			<b>IX</b>	Vela de irídio	<b>-13</b>	1,3
<b>Z</b>	Ponta de ignição projetada	<b>KE</b>	∅ 12,0	19,0	Junta circular	Hex 16,0			<b>10</b>					<b>P</b>	Eléctrodo central de platina
Os códigos acima indicados podem aparecer em combinação, <Exemplo>LFR..., PLZFR...		<b>KF</b>	∅ 12,0	19,0	Junta circular	Hex 14,0						* Quando há „I“ ou „P“ no início do número da peça ( „I“ ou „P“ após a avaliação de calor, torna-se o código de sufixo.) <Exemplo> IZFR6P8 é a vela de ignição de irídio I : Irídio P : Código de sufixo * <Exceção> ZFR0P-G é a vela de ignição de níquel		<b>-A</b>	Sem junta circular
Quando „L“ é incluído, a prioridade é dada a „L“ (longo alcance)* em comprimento do fio.		<b>KG</b>	∅ 12,0	19,0	Junta circular	Bi-Hex 14,0 (Bi-sextavado*)								<b>-D</b>	Capa metálica: revestimento de níquel
<Exemplo> *Vela com junta circular		<b>L</b>	∅ 10,0	12,7	Junta circular	Hex 16,0					<b>-E</b>			Resistência especial	
FR5AP-11; comprimento da rosca 19,0 mm		<b>M</b>	∅ 10,0	19,0	Junta circular	Hex 16,0					<b>-G</b>			Eléctrodo de terra com núcleo de cobre	
LFR5AP-11; comprimento da rosca 26,5mm		<b>MA</b>	∅ 10,0	19,0	Junta circular	Hex 14,0					<b>-H</b>			Rosca especial	
*Vela com assento cónico		<b>MF</b>	∅ 10,0	19,0	Junta circular	Hex 14,0					<b>-J</b>			2 eléctrodos de massa	
PTR5C-13; comprimento da rosca 17,5 mm		<b>NA</b>	∅ 12,0	17,5	Assento cónico	Hex 14,0					<b>-K</b>			Eléctrodo de terra com resistência à vibração	
PLTR6A-10G; comprimento da rosca 25,0 mm		<b>T</b>	∅ 14,0	17,5	Assento cónico	Hex 16,0					<b>-N</b>			Eléctrodo de massa especial	
		<b>U</b>	∅ 14,0	11,2	Assento cónico	Hex 16,0					<b>-Q</b>			4 eléctrodos de massa	
		<b>W</b>	∅ 18,0	10,9	Assento cónico	Hex 20,8					<b>-S</b>			Anel de vedação especial	
		<b>X</b>	∅ 14,0	9,5	Junta circular	Hex 20,8					<b>-T</b>	3 eléctrodos de massa			
		<b>Y</b>	∅ 14,0	11,2	Assento cónico	Hex 16,0					<b>-U</b>	Tipo de descarga de semi-superfície			
		*Exceção TR5A-10, TR5A-13,TR5B-13, TR6B-10, TR6B-13,PTR5A-10, PTR5A-13: Comprimento do fio de 25,0 mm				Bi-sextavado						<b>IX-P</b>	Ficha MAX de Irídio		
		*O perno bi-sextavado é necessário.				Sextavado						<b>LPG 1-8</b>	Gama de velas de ignição LaserLine para motores a gás		
		*FE, KE, KF, KG, MF : Tipo de comprimento de isolador mais tempo exposto													



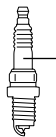
**RE 7 C - L**

RE		7		C		-L	
Tipo de vela		Número de potência térmica		Construção		Espaço da vela	
<b>RE</b>	Vela para motores rotativos	<b>5</b>		A,B,C... Código sufixo		<b>-L</b>	Lado de liderança
<b>SD</b>	Vela para motores rotativos (Espaço de descarga de semi-superfície)	<b>6</b>				<b>-T</b>	Lado de mudança
		<b>7</b>					
		<b>8</b>					
		<b>9</b>					
		<b>10</b>					
		<b>11</b>					



**HB 6 A IX - 11 P**

HB		6		A		IX		-11		P	
Tipo de vela		Número de potência térmica		Tamanho da rosca	Tamanho da rosca	Configuração do assento	Tamanho do hexágono	Espaço da vela			
<b>HB</b>	HYBD (3 eléctrodos de terra tipo híbrido)	<b>4</b>		<b>A</b>	∅ 14,0	20,5	Con Junta	Hex 16,0	<b>IX</b>	<b>-8</b>	0,8
		<b>5</b>		<b>B</b>	∅ 14,0	19,0	Con Junta	Hex 16,0		<b>-9</b>	0,9
		<b>6</b>								<b>-10</b>	1,0
		<b>7</b>								<b>-11</b>	1,1
		<b>8</b>							<b>-13</b>	1,3	

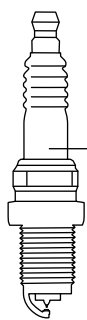


**DF 6 H - 11 A**

DF		6		H		-11		A			
Tipo de vela		Número de potência térmica		Tamanho da rosca	Tamanho da rosca	Configuração do assento	Tamanho do hexágono	Espaço da vela			
<b>DF</b>	Vela de alta inflamabilidade (eléctrodos finos duplos)	<b>4</b>		<b>A</b>	∅ 14,0	19,0	Con Junta	Hex 16,0	<b>-8</b>	0,8	A,B,C... Código sufixo
		<b>5</b>		<b>B</b>	∅ 14,0	26,5	Con Junta	Hex 16,0	<b>-9</b>	0,9	
<b>DFH</b>	Vela de alta inflamabilidade (DF + Tipo híbrido)	<b>6</b>		<b>C</b>	∅ 12,0	26,5	Con Junta	Hex 14,0	<b>-10</b>	1,0	
		<b>7</b>		*DF6H-11A : Tamanho da rosca 28,0 mm				<b>-11</b>	1,1		
		<b>8</b>					<b>-13</b>	1,3			
		<b>9</b>				<b>-15</b>	1,5				



# Πώς να ερμηνεύετε τους κωδικούς μας: Μπουζί



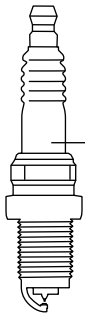
**B P R 5 E S - 11**

Μονάδα: mm

B		P		R		5		E		S		-11	
Διάμετρος σπειρώματος	εξάγωνο	Δομή	Ανταρρασιτική αντίσταση	Τιμή θερμότητας	Μήκος σπειρώματος	Χαρακτηριστικά κατασκευής	Διάκενο ηλεκτροδίου						
<b>A</b>	φ 18,0 Hex 25,4	<b>P</b>	προωθημένο άκρο μονωτήρα	<b>R</b>	Αντίσταση	<b>E</b>	19,0	<b>B</b>	σταθερό παξιμάδι σύνδεσης SAE (CR8EB)		<b>κενό</b>	Μοτοσικλέτα: 0,7~0,8	
<b>B</b>	φ 14,0 Hex 20,8	<b>M</b>	Συμπαγές μπουζί	<b>Z</b>	επαγωγική αντίσταση	<b>EF</b>	17,5	<b>CM</b>	Ηλεκτρόδιο γείωσης Συμπαγούς τύπου (Μήκος εκτεθειμένου μονωτή: 18,5)			Αυτοκίνητο: 0,8~0,9	
<b>BC</b>	φ 14,0 Hex 16,0	<b>U</b>	Τύπος ολισθαίνοντα σπινθήρα ή πρόσθετης διαδρομής σπινθήρα			<b>EH</b>	19,0 μισή εκτέλεση	<b>CS</b>	Ηλεκτρόδιο γείωσης		<b>-8</b>	0,8	
<b>BK</b>	φ 14,0 Hex 16,0					<b>H</b>	12,7	<b>G,GV</b>	Αγωνιστικό μπουζί		<b>-9</b>	0,9	
<b>C</b>	φ 10,0 Hex 16,0					<b>L</b>	11,2	<b>I</b>	Κεντρικό ηλεκτρόδιο ιριδίου		<b>-10</b>	1,0	
<b>D</b>	φ 12,0 Hex 18,0					<b>8</b>		<b>IX</b>	Μπουζί ιριδίου		<b>-11</b>	1,1	
<b>DC</b>	φ 12,0 Hex 16,0					<b>9</b>		<b>J</b>	Ηλεκτρόδια που προεξέχουν από το έδαφος		<b>-13</b>	1,3	
<b>E</b>	φ 8,0 Hex 13,0					<b>10</b>	ψυχροί τύποι	<b>K</b>	2 ηλεκτρόδια γείωσης		<b>-15</b>	1,5	
* Εξαιρέση B(P)M-A,Y : φ 14,0, Hex 19,0 P(P)-(E)F : φ 14,0, Hex 16,0 CM-6 : φ 10,0, Hex 14,0								<b>LM</b>	Συμπαγείς τύποι(Μήκος μονωτήρα: 14,5 mm)		<b>-S</b>	ειδικός στεγανοποιητικός δακτύλιος	
BC : Παλιό JIS κανονικό μέγεθος Το μήκος από το κύκλωμα φλάντζας ως την επαφή θερματικού είναι 53,0mm.								<b>N</b>	ειδικό ηλεκτρόδιο γείωσης		<b>-E</b>	ειδική αντίσταση	
BK : ISO / JIS κανονικό μέγεθος 50,5mm. Το μήκος από το κύκλωμα φλάντζας ως την επαφή θερματικού είναι 50,5mm.								<b>P</b>	Ηλεκτρόδιο πλατίνιας Απλό ηλεκτρόδιο γείωσης: Διπλή πλατίνια  Πολυαπλό ηλεκτρόδιο γείωσης: Μονή πλατίνια σε κεντρικό ηλεκτρόδιο		<b>IX-P</b>	Μπουζί MAX ιριδίου	
								<b>Q</b>	Τετραπλά ηλεκτρόδια γείωσης		<b>LPG 1-8</b>	LaserLine σειρά μπουζί για βενζινοκινητήρες	
								<b>S</b>	Στάνταρ τύπος				
								<b>T</b>	Τριπλά ηλεκτρόδια γείωσης				
								<b>U</b>	Τύπος σπινθήρα μισής ολίσθησης				
								<b>Y</b>	Μεσαίο ηλεκτρόδιο με εγκοπή V				
								<b>Z</b>	ειδική κατασκευή				



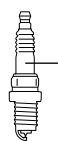
# Πώς να ερμηνεύετε τους κωδικούς μας: Μπουζί



**P F R 5 A - 11**

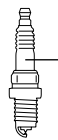
Μονάδα: mm

P		F				R		5		A		-11			
Τύπος		Διάμετρος σπειρώματος	Μήκος σπειρώματος	Διαμόρφωση θέσης	εξάγωνο	Αντιπαρασπικτική αντίσταση	Τιμή θερμότητας		Κατασκευή		Διάκενο ηλεκτροδίου				
<b>DI</b>	Ιδιαίτερα υψηλή ικανότητα ανάφλεξης, λεπτά ηλεκτρόδια διπλής εκτέλεσης	<b>F</b>	φ 14,0	19,0	Στεγανοποιητικός δακτύλος	Hex 16,0	<b>R</b>	Αντίσταση	<b>4</b>	<p>Θερμός τύπος</p> <p>ψυχροί τύποι</p>	A,B,C... Suffix code	<b>κενό</b>	Μοτοσικλέτα: 0,7-0,8 Αυτοκίνητο: 0,8-0,9		
<b>I</b>	Διπλό μπουζί ιριδίου	<b>FE</b>	φ 14,0	19,0	Στεγανοποιητικός δακτύλος	Hex 16,0		<b>5</b>					<b>-7</b>	0,7	
<b>L</b>	Ιδιαίτερα μακρύ σπείρωμα	<b>G</b>	φ 14,0	19,0	Στεγανοποιητικός δακτύλος	Hex 20,8		<b>6</b>					<b>-9</b>	0,9	
<b>P</b>	Διπλό μπουζί πλατινίας	<b>J</b>	φ 12,0	19,0	Στεγανοποιητικός δακτύλος	Hex 18,0		<b>7</b>			<b>I</b>	Κεντρικό ηλεκτρόδιο ιριδίου	<b>-10</b>	1,0	
<b>S</b>	Μπουζί υψηλής αναφλεξιμότητας: τύπος λεπτής τετράγωνης άκρης	<b>KA</b>	φ 12,0	19,0	Στεγανοποιητικός δακτύλος	Hex 14,0		<b>8</b>					<b>IX</b>	Μπουζί ιριδίου	<b>-11</b>
<b>Z</b>	Προβλεπόμενη θέση πυροδότησης	<b>KB</b>	φ 12,0	19,0	Στεγανοποιητικός δακτύλος	Bi-Hex 14,0 (Διπλή εξαγωνική *)		<b>9</b>			<p>* Όταν υπάρχει „I” ή „P” στην αρχή του αριθμού αναφοράς εξαρτήματος (Το „I” ή „P” μετά τη θερμική ισχύ γίνεται κωδικός κατάληξης.)</p> <p>&lt;Παράδειγμα&gt; Το IZFR6P8 είναι μπουζί ιριδίου I : Ιριδίου P : Κωδικός κατάληξης</p> <p>* &lt;Εξοίρεση&gt; Το ZFR0P-G είναι μπουζί νικελίου</p>	<b>P</b>	Κεντρικό ηλεκτρόδιο πλατινίας	<b>-13</b>	1,3
	Τα παραπάνω αναφερόμενα χαρακτηριστικά μπορεί να παρουσιαστούν συνδυασμένα, <Παράδειγμα>ILFR... PLZFR... Όταν συμπεριλαμβάνεται „L”, δίνεται προτεραιότητα στο „L” (μεγάλη εμβέλεια) στο μήκος σπειρώματος.	<b>KE</b>	φ 12,0	19,0	Στεγανοποιητικός δακτύλος	Hex 16,0		<b>10</b>						<b>-15</b>	1,5
	<Παράδειγμα> *Μπουζί με στεγανοποιητικό δακτύλο	<b>KF</b>	φ 12,0	19,0	Στεγανοποιητικός δακτύλος	Hex 14,0								<b>-A</b>	χωρίς στεγανοποιητικό δακτύλο
	FR5AP : μήκος σπειρώματος 19,0mm	<b>KG</b>	φ 12,0	19,0	Στεγανοποιητικός δακτύλος	Bi-Hex 14,0 (Διπλή εξαγωνική *)								<b>-D</b>	Μεταλλικό περίβλημα : επικίνδυνη
	LFR5AP-11 : μήκος σπειρώματος 26,5mm	<b>L</b>	φ 10,0	12,7	Στεγανοποιητικός δακτύλος	Hex 16,0								<b>-E</b>	ειδική αντίσταση
	* μπουζί με κωνική στεγανή εφαρμογή	<b>M</b>	φ 10,0	19,0	Στεγανοποιητικός δακτύλος	Hex 16,0							<b>-G</b>	Ηλεκτρόδιο γείωσης χαλκού	
	PTR5C-13 : μήκος σπειρώματος 17,5mm	<b>MA</b>	φ 10,0	19,0	Στεγανοποιητικός δακτύλος	Hex 14,0							<b>-H</b>	ειδικό σπείρωμα	
	PLTR6A-10G : μήκος σπειρώματος 25,0mm	<b>MF</b>	φ 10,0	19,0	Στεγανοποιητικός δακτύλος	Hex 14,0							<b>-J</b>	2 Ηλεκτρόδια γείωσης	
		<b>NA</b>	φ 12,0	17,5	Κωνική στεγανή εφαρμογή	Hex 14,0							<b>-K</b>	Καλώδιο γείωσης αντίστασης δόνησης	
		<b>U</b>	φ 14,0	17,5	Κωνική στεγανή εφαρμογή	Hex 16,0							<b>-N</b>	ειδικό ηλεκτρόδιο γείωσης	
		<b>T</b>	φ 14,0	11,2	Κωνική στεγανή εφαρμογή	Hex 16,0						<b>-Q</b>	4 Ηλεκτρόδιο γείωσης		
		<b>W</b>	φ 18,0	10,9	Κωνική στεγανή εφαρμογή	Hex 20,8						<b>-S</b>	ειδικός στεγανοποιητικός δακτύλος		
		<b>X</b>	φ 14,0	9,5	Στεγανοποιητικός δακτύλος	Hex 20,8						<b>-T</b>	3 Ηλεκτρόδιο γείωσης		
		<b>Y</b>	φ 14,0	11,2	Κωνική στεγανή εφαρμογή	Hex 16,0						<b>-U</b>	Τύπος εκκένωσης ημ-επιφάνειας		
						Διπλή εξαγωνική						<b>IX-P</b>	Μπουζί ιριδίου MAX		
						Εξαγωνική						<b>LPG 1-8</b>	LaserLine σειρά μπουζί για βενζινομηχανές		



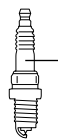
**RE 7 C L**

RE		7		C		-L		
Τύπος		Τιμή θερμότητας		Κατασκευή		Διάκενο ηλεκτροδίου		
<b>RE</b>	Μπουζί για περιστροφικούς κινητήρες	<b>5</b>	<p>Θερμός τύπος</p> <p>ψυχροί τύποι</p>	A,B,C... Suffix code		<b>-L</b>	Μπροστινή πλευρά	
<b>SD</b>	Μπουζί για περιστροφικούς κινητήρες (Διάκενο εκκένωσης ημ-επιφάνειας)	<b>6</b>					<b>-T</b>	Πλευρά σύνδεσης
		<b>7</b>						
		<b>8</b>						
		<b>9</b>						
		<b>10</b>						
		<b>11</b>						



**HB 6 A IX - 11 P**

HB		6		A		IX		-11		P	
Τύπος		Τιμή θερμότητας		Διάμετρος σπειρώματος	Μήκος σπειρώματος	Διαμόρφωση θέσης	εξάγωνο	Διάκενο ηλεκτροδίου			
<b>HB</b>	HYBD (τριπλό ηλεκτρόδιο γείωσης υβριδικού τύπου)	<b>4</b>	<p>Θερμός τύπος</p> <p>ψυχροί τύποι</p>	<b>A</b>	φ 14,0	20,5	Στεγανοποιητικός δακτύλος	Hex 16,0	<b>IX</b>	<b>-8</b>	0,8
		<b>5</b>		<b>B</b>	φ 14,0	19,0	Στεγανοποιητικός δακτύλος	Hex 16,0		<b>-9</b>	0,9
		<b>6</b>								<b>-10</b>	1,0
		<b>7</b>								<b>-11</b>	1,1
		<b>8</b>								<b>-13</b>	1,3



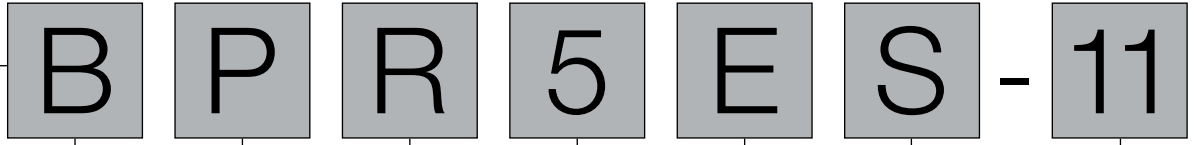
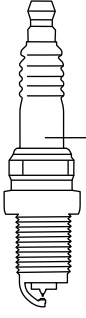
**DF 6 H A**

DF		6		H		-11		A		
Τύπος		Τιμή θερμότητας		Διάμετρος σπειρώματος	Μήκος σπειρώματος	Διαμόρφωση θέσης	εξάγωνο	Διάκενο ηλεκτροδίου		
<b>DF</b>	Μπουζί υψηλής αναφλεξιμότητας (Διπλά λεπτά ηλεκτρόδια)	<b>4</b>	<p>Θερμός τύπος</p> <p>ψυχροί τύποι</p>	<b>A</b>	φ 14,0	19,0	Στεγανοποιητικός δακτύλος	Hex 16,0	<b>-8</b>	0,8
<b>DFH</b>	Μπουζί υψηλής αναφλεξιμότητας (DF + Υβριδικού τύπου)	<b>5</b>		<b>B</b>	φ 14,0	26,5	Στεγανοποιητικός δακτύλος	Hex 16,0	<b>-9</b>	0,9
		<b>6</b>		<b>C</b>	φ 12,0	26,5	Στεγανοποιητικός δακτύλος	Hex 14,0	<b>-10</b>	1,0
		<b>7</b>		* DF6H-11A : Μήκος σπειρώματος 28,0mm				<b>-11</b>	1,1	
		<b>8</b>							<b>-13</b>	1,3
		<b>9</b>							<b>-15</b>	1,5





# Parça numaramızın okunma şekli: Ateşleme Bujileri



Birim: mm

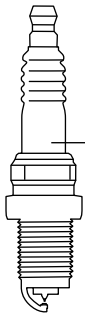
B		P		R		5		E		S		-11	
	Diş çapı	altı köşeli	Yapı	Parazit giderme direnci		Isı değeri		Diş uzunluğu		Konstrüksiyon özellikleri		Elektrot mesafesi	
A	ø 18,0	Hex 25,4	P	R	Direnç	2		E	19,0	B	sabit SAE-bağlantı somunu (CR8EB)	boş	Motosiklet: 0,7-0,8
B	ø 14,0	Hex 20,8	P	Z	indüktif direnç	4		EF	17,5	CM	Eğri şasi elektrodu Kompakt tip (Açıktaki izolasyon uzunluğu: 18,5)		Araba: 0,8-0,9
BC	ø 14,0	Hex 16,0	M			5		EH	19,0 yanm yapılmış	CS	Eğri şasi elektrodu	-8	0,8
BK	ø 14,0	Hex 16,0				6		H	12,7	G,GV	Yanış bujisi	-9	0,9
C	ø 10,0	Hex 16,0	U			7		L	11,2	I	İridiyum çekirdekli elektrot	-10	1,0
D	ø 12,0	Hex 18,0				8		boş	Konik sızdırmaz valf A(P)-F : 10,9 B(P)-F : 11,2 BM(P)-F : 7,8	IX	İridiyum buji	-11	1,1
DC	ø 12,0	Hex 16,0				9			Küçük tipte buji B(P)-M : 9,5 B-LM : 9,5 CM : 9,5 CM-6 : 8,6 C-50 : 8,5	J	2 çıkıntılı şasi elektrodu	-13	1,3
E	ø 8,0	Hex 13,0				10				K	2 şasi elektrodu	-15	1,5
*İstisna B(P)-M-A,Y : ø 14,0, Hex 19,0 P(P)-(E)F : ø 14,0, Hex 16,0 CM-6 : ø 10,0, Hex 14,0										-LM	Kompakt tip (izolatör uzunluğu: 14,5mm)		
BC : Eski JIS standart boyut Conta devresinden terminal kontağına kadar uzunluk 53,0 mm'dir.										N	özel toprak elektrodu	-S	özel conta
BK : ISO / JIS standart boyut Conta devresinden terminal kontağına kadar uzunluk 50,5 mm'dir.									P	Platin elektrodu Tekli şasi elektrodu: Çift platinyum Çoklu şasi elektrodu: Tekli platinyum çekirdekli elektrot	-E	özel direnç	
											IX-P	İridiyum MAKS buji	
											LPG 1-8	Gazli motorda kullanım için LaserLine kızdırma bujisi	
									Q	4 şasi elektrodu			
									S	Standart tip			
									T	3 şasi elektrodu			
									U	Yanm kayar kıvılcım tipi			
									Y	V-çentikli orta elektrot			
									Z	özel tasarım			







# Jak odczytać numer części: Świece zapłonowe



**P F R 5 A - 11**

Jednostka: mm

P		F				R		5		A		-11			
Typ świecy		Srednica gwintu	Długość gwintu	Konfiguracja gniazda	rozwartość klucza sześciokątnego	Opornik przeciwzakłóceniu		Wartość cieplna		Konstrukcja		Odstęp elektrod			
<b>DI</b>	Wysoka zdolność zapłonu, Podwójne, cienkie elektrody	<b>F</b>	∅ 14,0	19,0	Pierścień uszczelniający	Hex 16,0	<b>R</b>	Opornik	<b>2</b>		A,B,C... kod przyrostka		<b>leer</b>	Motocykl: 0,7-0,8 Samochód: 0,8-0,9	
<b>I</b>	Podwójna irydowa świeca zapłonowa	<b>FE</b>	∅ 14,0	19,0	Pierścień uszczelniający	Hex 16,0			<b>4</b>				<b>-7</b>	0,7	
<b>L</b>	Długi gwint	<b>G</b>	∅ 14,0	19,0	Pierścień uszczelniający	Hex 20,8			<b>5</b>				<b>-9</b>	0,9	
<b>P</b>	Podwójna platynowa świeca zapłonowa	<b>J</b>	∅ 12,0	19,0	Pierścień uszczelniający	Hex 18,0			<b>6</b>				<b>-10</b>	1,0	
<b>S</b>	Świeca o dużej zapłonowości: typ z wąską końcówką kwadratową	<b>K</b>	∅ 12,0	19,0	Pierścień uszczelniający	Hex 16,0			<b>7</b>			<b>I</b>	Irydowa elektroda centralna	<b>-11</b>	1,1
<b>Z</b>	Wysunięta końcówka z elektrodami	<b>KA</b>	∅ 12,0	19,0	Pierścień uszczelniający	Hex 14,0			<b>8</b>			<b>IX</b>	Elektroda irydowa - typ IX	<b>-13</b>	1,3
		<b>KB</b>	∅ 12,0	19,0	Pierścień uszczelniający	Bi-Hex 14,0 (Dwunastokątne *)			<b>9</b>			<b>P</b>	Platynowa elektroda centralna	<b>-15</b>	1,5
		<b>KE</b>	∅ 12,0	19,0	Pierścień uszczelniający	Hex 16,0			<b>10</b>			* Jeśli numer części zaczyna się od liter „I” lub „P” (litery „I” lub „P” po oznaczeniu wartości temperatury są kodem sufiksu).			
		<b>KF</b>	∅ 12,0	19,0	Pierścień uszczelniający	Hex 14,0						<Przykład> IZFR6P8 jest irydową świecą zapłonową I: Iryd P: Kod sufiksu * <Wyjątek> ZFROP-G jest niklową świecą zapłonową			
		<b>KG</b>	∅ 12,0	19,0	Pierścień uszczelniający	Bi-Hex 14,0 (Dwunastokątne *)						-A brak pierścienia uszczelniającego -D Metalowa osłona: powłoka niklowa -E Specjalny opornik -G Elektroda z rdzeniem miedzianym, uziemiona -H Gwint specjalny -J 2 elektrody masy -K Elektroda odporna na wibracje, uziemiona -N Specjalna elektroda masy -Q 4 elektrody masowe -S Specjalny pierścień uszczelniający -T 3 elektrody masy -U Półpowierzchniowy rodzaj wyladowania IX-P Świeca irydowa MAX LPG 1-8 Oferta świec zapłonowych LaserLine do silników benzynowych			
Powyższe oznaczenia mogą być łączone <Przykład>ILFR..., PLZFR..., Jeśli dodano „L”, priorytet ma długość Gwintu „L” (długi zasięg). <Przykład> *świeca z pierścieniem uszczelniającym FR5AP : długość gwintu ↓ 19,0mm LFR5AP-11 : długość gwintu ↓ 26,5mm *świeca ze szczelnym gniazdem stożkowym PTR5C-13 : długość gwintu ↓ 17,5mm PLTR6A-10G : długość gwintu ↓ 25,0mm															
		<b>L</b>	∅ 10,0	12,7	Pierścień uszczelniający	Hex 16,0									
		<b>M</b>	∅ 10,0	19,0	Pierścień uszczelniający	Hex 16,0									
		<b>MA</b>	∅ 10,0	19,0	Pierścień uszczelniający	Hex 14,0									
		<b>MF</b>	∅ 10,0	19,0	Pierścień uszczelniający	Hex 14,0									
		<b>NA</b>	∅ 12,0	17,5	Szczelne gniazdo stożkowe	Hex 14,0									
		<b>T</b>	∅ 14,0	17,5	Szczelne gniazdo stożkowe	Hex 16,0									
		<b>U</b>	∅ 14,0	11,2	Szczelne gniazdo stożkowe	Hex 16,0									
		<b>W</b>	∅ 18,0	10,9	Szczelne gniazdo stożkowe	Hex 20,8									
		<b>X</b>	∅ 14,0	9,5	Pierścień uszczelniający	Hex 20,8									
		<b>Y</b>	∅ 14,0	11,2	Szczelne gniazdo stożkowe	Hex 16,0									
						Dwunastokątne									
						Sześciokątne									



**RE 7 C - L**

RE		7		C		-L	
Typ świecy		Wartość cieplna		Konstruktion		Odstęp elektrod	
<b>RE</b>	Świeca do silników rotacyjnych	<b>5</b>		A,B,C... kod przyrostka		<b>-L</b>	Dolna strona
<b>SD</b>	Świeca do silników rotacyjnych (przerwa wyladowania półpowierzchniowego)	<b>6</b>				<b>-T</b>	Górna strona
		<b>7</b>					
		<b>8</b>					
		<b>9</b>					
		<b>10</b>					
		<b>11</b>					



**HB 6 A IX - 11 P**

HB		6		A		IX		-11		P	
Typ świecy		Wartość cieplna		Srednica gwintu	Długość gwintu	Konfiguracja gniazda	rozwartość klucza sześciokątnego	Odstęp elektrod			
<b>HB</b>	HYBD (typ hybrydowy z 3 elektrodami uziemionymi)	<b>4</b>		<b>A</b>	∅ 14,0	20,5	Pierścień uszczelniający	Hex 16,0	<b>IX</b>	<b>-8</b>	0,8
		<b>5</b>		<b>B</b>	∅ 14,0	19,0	Pierścień uszczelniający	Hex 16,0		<b>-9</b>	0,9
		<b>6</b>								<b>-10</b>	1,0
		<b>7</b>								<b>-11</b>	1,1
		<b>8</b>							<b>-13</b>	1,3	

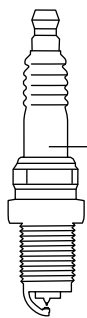


**DF 6 H - 11 A**

DF		6		H		-11		A		
Typ świecy		Wartość cieplna		Srednica gwintu	Długość gwintu	Konfiguracja gniazda	Sechskant	Odstęp elektrod		
<b>DF</b>	Świeca o dużej zapłonowości (podwójne, cienkie elektrody)	<b>4</b>		<b>A</b>	∅ 14,0	19,0	Pierścień uszczelniający	Hex 16,0	<b>-8</b>	0,8
<b>DFH</b>	Świeca o dużej zapłonowości (Typ DF + hybrydowy)	<b>5</b>		<b>B</b>	∅ 14,0	26,5	Pierścień uszczelniający	Hex 16,0	<b>-9</b>	0,9
		<b>6</b>		<b>C</b>	∅ 12,0	26,5	Pierścień uszczelniający	Hex 14,0	<b>-10</b>	1,0
		<b>7</b>		* DF6H-11A : Długość gwintu 28,0mm				<b>-11</b>	1,1	
		<b>8</b>							<b>-13</b>	1,3
		<b>9</b>						<b>-15</b>	1,5	



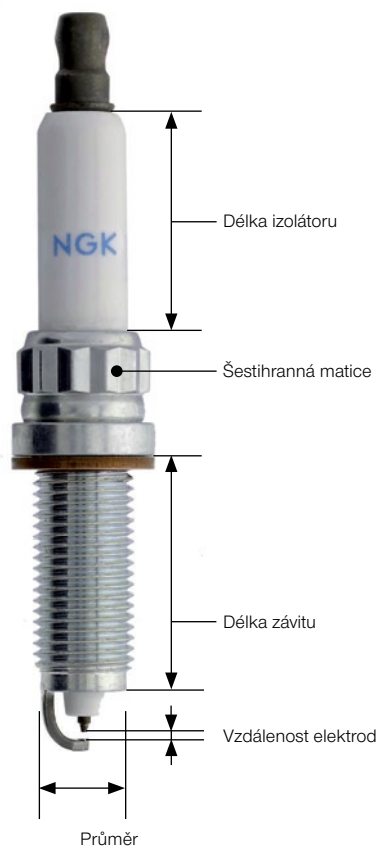
# Jak číst naše číslo dílu: Zapalovací svíčky



**B P R 5 E S - 11**

Jednotky: mm

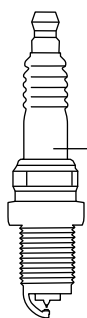
B		P		R		5		E		S		-11		
Průměr	šestihran	Struktura		Odušovací odpor		Teplotná hodnota		Délka závitu		Konstrukční vlastnosti		Vzdálenost elektrod		
<b>A</b>	∅ 18,0	Hex 25,4	<b>P</b>	předsunutá špička izolátoru	<b>R</b>	Odpor	2	teplé typy	<b>E</b>	19,0	<b>B</b>	pevná přípojná matice SAE (CR8EB)	prázdné	Motocykl : 0,7-0,8
<b>B</b>	∅ 14,0	Hex 20,8			<b>Z</b>	Induktivní odpor			4					
<b>BC</b>	∅ 14,0	Hex 16,0	<b>M</b>	Kompaktní svíčka	5	<b>EH</b>	19,0 provedení do poloviny	<b>CS</b>	Šikmé provedení zemnicí elektrody		<b>-8</b>	0,8		
<b>BK</b>	∅ 14,0	Hex 16,0	<b>U</b>	Typ s klouzavou jiskrou nebo přídatnou dráhou jiskry	6		<b>H</b>	12,7	<b>G,GV</b>		Závodní zapalovací svíčka	<b>-9</b>	0,9	
<b>C</b>	∅ 10,0	Hex 16,0			7		<b>I</b>	Iridiová centrální elektroda	<b>-10</b>		1,0			
<b>D</b>	∅ 12,0	Hex 18,0			8		<b>prázdné</b>	Kůželové těsnící sedlo A(P):F : 10,9 B(P):F : 11,2 BM(P):F : 7,8	<b>IX</b>		Iridiová zapalovací svíčka	<b>-11</b>	1,1	
<b>DC</b>	∅ 12,0	Hex 16,0			9				<b>J</b>		2 zemnicí elektrody (speciální tvar)	<b>-13</b>	1,3	
<b>E</b>	∅ 8,0	Hex 13,0			10		studené typy	Malý typ svíčky B(P)M- : 9,5 B-LM : 9,5 CM- : 9,5 CM-6 : 8,6 C-50 : 8,5	<b>K</b>		2 zemnicí elektrody	<b>-15</b>	1,5	
*Výjimka B(P)M-A,Y : ∅ 14,0, Hex 19,0 P(P)-(E)F : ∅ 14,0, Hex 16,0 CM-6 : ∅ 10,0, Hex 14,0		BC : Stará standardní velikost JIS Délka od kroužku těsnění ke koncovému kontaktu je 53,0 mm.			BK : Standardní velikost ISO/JIS Délka od kroužku těsnění ke koncovému kontaktu je 50,5 mm.		<b>-LM</b>		Kompaktní typy (délka izolátoru: 14,5mm)		<b>-S</b>	speciální těsnící kroužek		
							<b>N</b>	speciální zemnicí elektroda	<b>-E</b>		speciální odpor			
							<b>P</b>	Platinová elektroda 1 zemnicí elektroda: Dvojířtá platinová	<b>IX-P</b>		Iridiová svíčka MAX			
							Více zemnicích elektrod: Jedna platinová ve střední elektrodě	<b>LPG 1-8</b>	Zapalovací svíčka LaserLine s prodlouženým dosahem pro benzínové motory					
						<b>Q</b>	4 zemnicí elektrody	<b>S</b>	Standardní typy					
						<b>T</b>	3 zemnicí elektrody	<b>U</b>	Typ s poloviční klouzavou jiskrou					
						<b>Y</b>	Střední elektroda se zářezem V	<b>Z</b>	speciální konstrukce					







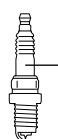
# Hogyan kell leolvasni a cikkszámot: Gyújtógyertyák



**P F R 5 A - 11**

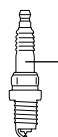
Egység: mm

P		F				R		5		A		-11		
Gyertyatípus		Menet átmérő	Menethossz	Fenek konfiguráció	hatlap	Zavarszűrő ellenállás		Hőérték		Konstrukció		Elektródahézag		
<b>DI</b>	különösen magas gyújtóképesség, duplán kivezetett, finom elektródák	<b>F</b> Ø 14,0	19,0	Tömítés	Hex 16,0	<b>R</b>	Ellenállás	<b>2</b>		A,B,C... Suffix code		<b>üres</b>	Motorkerékpár: 0,7-0,8 Autó: 0,8-0,9	
<b>I</b>	Dupla irídium gyújtógyertya	<b>FE</b> Ø 14,0	19,0	Tömítés	Hex 16,0			<b>4</b>				<b>-7</b>	0,7	
<b>L</b>	különösen hosszú menet	<b>G</b> Ø 14,0	19,0	Tömítés	Hex 20,8			<b>5</b>				<b>-9</b>	0,9	
<b>P</b>	Dupla paltina gyújtógyertya	<b>J</b> Ø 12,0	19,0	Tömítés	Hex 18,0			<b>6</b>				<b>-10</b>	1,0	
<b>S</b>	Magas hőértékű gyertya: vékony négyzetes hegy típus	<b>K</b> Ø 12,0	19,0	Tömítés	Hex 16,0			<b>7</b>			<b>I</b>	Iridium középelektroda	<b>-11</b>	1,1
<b>Z</b>	Tervezett gyújtógyertya vég	<b>KA</b> Ø 12,0	19,0	Tömítés	Hex 14,0			<b>8</b>			<b>IX</b>	irídium gyújtógyertya	<b>-13</b>	1,3
	A fent felsorolt jelölések kombinációként is előfordulhatnak, <Példa>ILFR..., PLZFR..., Amikor „L” szerepel, prioritást kap az „L” (hosszú menet) a menethosszban. <Példa> gyertya tömítéssel	<b>KB</b> Ø 12,0	19,0	Tömítés	Bi-Hex 14,0 (Kettős hatszögletű *)			<b>9</b>			<b>P</b>	Platina középelektroda	<b>-15</b>	1,5
	FR5AP : menethossz 19,0mm ↓ LFR5AP-11 : menethossz 26,5mm	<b>KE</b> Ø 12,0	19,0	Tömítés	Hex 16,0			<b>10</b>		hideg típus	* Ha az alkatrész szám előtt áll egy „I” vagy egy „P” (az „I” vagy a „P” a hőszabályozás suffix kódjává válnak). <Példa> Az IZFR6P8 egy irídium gyújtógyertya I : Iridium P : Suffix kód * <Kivétel> A ZFR0P-G egy nikkell gyújtógyertya			
	* gyertya kúpos tömítő üléssel PTR5C-13 : menethossz 17,5mm ↓ PLTR6A-10G : menethossz 25,0mm	<b>KF</b> Ø 12,0	19,0	Tömítés	Hex 14,0								<b>-A</b>	nincs tömítőgyűrű
		<b>KG</b> Ø 12,0	19,0	Tömítés	Hex 14,0 (Bi-Hex 14,0 (Kettős hatszögletű *)								<b>-D</b>	Fém persely: galvanizált
		<b>L</b> Ø 10,0	12,7	Tömítés	Hex 16,0							<b>-E</b>	speciális ellenállás	
		<b>M</b> Ø 10,0	19,0	Tömítés	Hex 16,0							<b>-G</b>	Rézmagos testelektroda	
		<b>MA</b> Ø 10,0	19,0	Tömítés	Hex 14,0							<b>-H</b>	speciális menet	
		<b>MF</b> Ø 10,0	19,0	Tömítés	Hex 14,0							<b>-J</b>	2 testelektroda	
		<b>NA</b> Ø 12,0	17,5	Kúpos tömítő ülék	Hex 14,0							<b>-K</b>	Testelektroda rezgéssel szembeni ellenállása	
		<b>T</b> Ø 14,0	17,5	Kúpos tömítő ülék	Hex 16,0							<b>-N</b>	speciális testelektroda	
		<b>U</b> Ø 14,0	11,2	Kúpos tömítő ülék	Hex 16,0							<b>-Q</b>	4 testelektroda	
		<b>W</b> Ø 18,0	10,9	Kúpos tömítő ülék	Hex 20,8							<b>-S</b>	speciális tömítőgyűrű	
		<b>X</b> Ø 14,0	9,5	Tömítés	Hex 20,8							<b>-T</b>	3 testelektroda	
		<b>Y</b> Ø 14,0	11,2	Kúpos tömítő ülék	Hex 16,0							<b>-U</b>	Fél kúpszikrák típus	
												<b>IX-P</b>	Iridium MAX gyertya	
												<b>LPG 1-8</b>	Laserline gyújtógyertya tartomány gázmotor használatra	



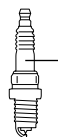
**RE 7 C - L**

RE		7		C		-L	
Gyertyatípus		Hőérték		Konstrukció		Elektródahézag	
<b>RE</b>	Forgódugattyús motor gyertya	<b>5</b>		A,B,C... Suffix code		<b>-L</b>	Leading oldal
<b>SD</b>	Forgódugattyús motor gyertya (Fél kúpszikrák hézag)	<b>6</b>				<b>-T</b>	Trading oldal
		<b>7</b>					
		<b>8</b>					
		<b>9</b>					
		<b>11</b>					



**HB 6 A IX - 11 P**

HB		6		A				IX	-11		P
Gyertyatípus		Hőérték		Menet átmérő	Menethossz	Fenek konfiguráció	hatlap		Elektrodahézag		
<b>HB</b>	HYBD (3 testelektroda hibrid típus)	<b>4</b>		<b>A</b> Ø 14,0	20,5	Tömítés	Hex 16,0	<b>IX</b>	<b>-8</b>	0,8	
		<b>5</b>		<b>B</b> Ø 14,0	19,0	Tömítés	Hex 16,0		<b>-9</b>	0,9	
		<b>6</b>							<b>-10</b>	1,0	
		<b>7</b>							<b>-11</b>	1,1	
		<b>8</b>	hideg típus						<b>-13</b>	1,3	



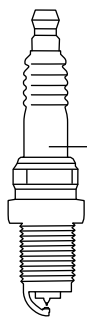
**DF 6 H - 11 A**

DF		6		H				-11		A
Gyertyatípus		Hőérték		Menet átmérő	Menethossz	Fenek konfiguráció	hatlap	Elektrodahézag		
<b>DF</b>	Nagy hőértékű gyertya (dupla finom elektródák)	<b>4</b>		<b>A</b> Ø 14,0	19,0	Tömítés	Hex 16,0	<b>-8</b>	0,8	A,B,C... Suffix code
<b>DFH</b>	Nagy hőértékű gyertya (DF + hibrid típus)	<b>5</b>		<b>B</b> Ø 14,0	26,5	Tömítés	Hex 16,0	<b>-9</b>	0,9	
		<b>6</b>		<b>C</b> Ø 12,0	26,5	Tömítés	Hex 14,0	<b>-10</b>	1,0	
		<b>7</b>		* DF6H-11A : Menethossz 28,0mm				<b>-11</b>	1,1	
		<b>8</b>						<b>-13</b>	1,3	
		<b>9</b>	hideg típus				<b>-15</b>	1,5		





# Что означает код детали: Свечи накаливания



Единица измерения : мм

B		P		R		5		E		S		-11						
Диаметр резьбы	Шестигранник	Структура		Помехоподавляющий резистор		Калильное число		Длина резьбы		Конструктивные особенности		Межэлектродный зазор						
A	φ 18,0	Hex 25,4	P	с выступающим изолятором	R	с резистором	2		E	19,0	B	Неподвижная контактная гайка SAE (CR8EV)	leer	Мотоцикл: 0,7~0,8				
B	φ 14,0	Hex 20,8			Z	с индуктивным резистором	4		горячие	EF			17,5	CM	Наклонный боковой электрод Компактный тип (длина выступающего изолятора: 18,5)		Автомобиль: 0,8~0,9	
BC	φ 14,0	Hex 16,0	M	Компактная свеча			5		EH	19,0 с частично нарезанной резьбой, длина резьбы 12,7мм	CS	Наклонный боковой электрод	-8	0,8				
BK	φ 14,0	Hex 16,0					U						Тип с поверхностным разрядом или дополнительным искровым зазором	6	H	12,7	G,GV	Гоночная свеча зажигания
C	φ 10,0	Hex 16,0	D	φ 12,0 Hex 18,0					7	L	11,2	I		Иридиевый центральный электрод				
D	φ 12,0	Hex 16,0					E		φ 8,0 Hex 13,0				8		пустой	Коническая плотная посадка A(P)-F : 10,9 B(P)-F : 11,2 BM(P)-F : 7,8	K	2 боковых электрода
DC	φ 12,0	Hex 16,0	*Исключения B(P)M-A,Y : φ 14,0, Hex 19,0 P(P)-(E)F : φ 14,0, Hex 16,0 CM-6 : φ 10,0, Hex 14,0	BC : Устаревший размер по японским промышленным стандартам JIS. Расстояние от уплотняющей прокладки до контактного вывода составляет 53,0 мм.						9	Компактная свеча B(P)M- : 9,5 V-LM : 9,5 CM-6 : 8,6 C-50 : 8,5	LM	Компактный тип (Длина изолятора: 14,5 мм)	N				
E	φ 8,0	Hex 13,0					BK : Стандартный размер ISO/JIS. Расстояние от уплотняющей прокладки до контактного вывода составляет 50,5 мм.		10	холодные					пустой	P	Платиновый электрод Один боковой электрод : двойной платиновый  Несколько боковых электродов: Одиный платиновый центральный электрод	-E
													IX-P	Свеча Iridium MAX				
													LPG 1-8	Свеча зажигания LaserLine для использования в газовых двигателях				
													Q	4 боковых электрода				
													S	Стандартный тип				
													T	3 боковых электрода				
													U	Тип с полуповерхностным разрядом				
													Y	Центральный электрод с V-образной насечкой				
													Z	Специальная конструкция				





## Tightening torques for spark plugs

### Torques

A torque wrench is required for the professional installation of a spark plug. Even for professionals the estimation of the tightening torque is nearly impossible.

That is because a torque can be calculated from two sizes which are multiplied by one another: the force which is applied to the respective centre of rotation and the length of the handle.

Most spark plug failures can be traced back to an incorrect tightening torque. If it is set too low, there is a risk of compression losses and overheating. A break of the insulator or middle electrode as a result of vibrations is also feasible.

If the tightening torque is set too high, the spark plug can snap off. The casing can also expand or warp. Heat dissipation zones are disrupted, overheating and melting of the electrodes or even engine damage can occur.

Cylinder head material	Spark plug with flat seat (with gasket)				Spark plug with conical seat	
	Thread diameter				Thread diameter	
	18 mm	14 mm	12 mm	10 mm	18 mm	14 mm
Cast iron head	35-45 Nm	25-35 Nm	15-25 Nm	10-15 Nm	20-30 Nm	15-25 Nm
Aluminium head	35-40 Nm	25-30 Nm	15-20 Nm	10-12 Nm	20-30 Nm	10-20 Nm

The torques depend on the cylinder head material and the thread diameter.

## Tightening torques for glow plugs

### The correct torque

For the professional installation of a glow plug, the use of a torque wrench is recommended. Even for professionals the estimation of the tightening torque is nearly impossible.

That is because a torque can be calculated from two sizes which are multiplied by one another: the

force which is applied to the respective centre of rotation and the length of the handle.

If the incorrect torque is applied to a glow plug, a compression loss can result. Based on the vibrations, it is also possible in the case of ceramic glow plugs that the ceramic will break.

The application of a tightening torque which is too great, in particular, can lead to the contraction of the annular gap between the metal case and glow tube. In this case the glow plug overheats and fails.

! Please follow the instruction if specified tightening torque or angle is mentioned on the package !!!

Metal Glow Plug					Ceramic Glow Plug	
Thread diameter					Thread diameter	
M8	M9	M10	M12	M14	M8	M10
8,5 Nm	11 Nm	15 Nm	23 Nm	23 Nm	10 Nm	18 Nm
+/- 10	+/- 10	+/- 10	+/- 10	+/- 10	+/- 10	+/- 10

Tightening Torque for the connecting nuts	
Thread diameter	Tightening torque
4 mm (M4)	0,8–1,5 Nm
5 mm (M5)	3,0–4,0 Nm

Glow plugs will only function faultlessly when they are screwed in with the correct torques.

## Drehmomente Zündkerzen

### Das richtige Drehmoment für Zündkerzen

Für die fachgerechte Montage einer Zündkerze ist ein Drehmomentschlüssel erforderlich. Denn selbst für Werkstattprofis ist das "Schätzen" des Anzugsdrehmomentes nahezu unmöglich.

Das liegt daran, dass sich ein Drehmoment aus zwei Größen errechnet, die miteinander multipliziert werden: der Kraft, die auf den jeweiligen Drehpunkt einwirkt, und der Länge des Hebels.

Die meisten Zündkerzenausfälle gehen auf ein falsches Anzugsdrehmoment zurück. Wird es zu niedrig gewählt, drohen Kompressionsverluste und Überhitzung. Auch ein Bruch von Isolator oder Mittelelektrode infolge von Vibrationen ist denkbar.

Wird das Drehmoment zu hoch gewählt, kann es zum Abreißen der Zündkerze führen. Auch kann das Gehäuse sich dehnen oder verdrehen. Die Wärmeabflusszonen werden gestört, es drohen Überhitzung und Verschmelzung der Elektroden bis hin zum Motorschaden.

Zylinderkopf-Material	Zündkerze mit flachem Sitz (mit Dichtung)				Zündkerze mit konischem Sitz	
	Gewindedurchmesser				Gewindedurchmesser	
	18 mm	14 mm	12 mm	10 mm	18 mm	14 mm
Gusseisenkopf	35-45 Nm	25-35 Nm	15-25 Nm	10-15 Nm	20-30 Nm	15-25 Nm
Aluminiumkopf	35-40 Nm	25-30 Nm	15-20 Nm	10-12 Nm	20-30 Nm	10-20 Nm

Die Drehmomente sind vom Zylinderkopfmaterial und dem Gewindedurchmesser abhängig.

## Drehmomente Glühkerzen

### Das richtige Drehmoment für den Einbau von Glühkerzen

Für die fachgerechte Montage einer Glühkerze empfiehlt sich die Verwendung eines Drehmomentschlüssels. Denn selbst für Werkstattprofis ist das „Schätzen“ des Anzugsdrehmomentes nahezu unmöglich.

Das liegt daran, dass sich ein Drehmoment aus zwei Größen errechnet, die miteinander

multipliziert werden: der Kraft, die auf den jeweiligen Drehpunkt einwirkt, und der Länge des Hebels.

Wird bei einer Glühkerze ein falsches Drehmoment angewendet, kann es zu Kompressionsverlusten kommen. Aufgrund von Vibrationen ist bei keramischen Glühkerzen außerdem ein Bruch der Keramik möglich.

Auch kann insbesondere die Verwendung eines zu großen Anzugsdrehmoments zum Zusammenziehen des Ringspalts zwischen Metallgehäuse und Glührohr führen. In diesem Fall überhitzt die Glühkerze und fällt aus.

! Bitte beachten Sie die Anzugsdrehmomente oder -Winkel, wenn diese auf der Verpackung angegeben sind!

Metallstabglühkerze					Keramische Glühkerze	
Gewindedurchmesser					Gewindedurchmesser	
M8	M9	M10	M12	M14	M8	M10
8,5 Nm	11 Nm	15 Nm	23 Nm	23 Nm	10 Nm	18 Nm
+/- 10	+/- 10	+/- 10	+/- 10	+/- 10	+/- 10	+/- 10

Anzugsdrehmomente von Anschlussmuttern	
Gewindedurchmesser	Anzugsdrehmoment
4 mm (M4)	0,8–1,5 Nm
5 mm (M5)	3,0–4,0 Nm

Nur wenn Glühkerzen mit den richtigen Drehmomenten eingeschraubt werden funktionieren diese einwandfrei

## Couples de serrage Bougies d'allumage

### Couples de serrage

Une clé dynamométrique est obligatoire pour monter correctement une bougie d'allumage. Même pour un réparateur confirmé, il est pratiquement impossible d'estimer précisément un couple de serrage.

Le couple de serrage est à deux composantes : La force au point de rotation et la longueur du levier. Ce qui rend son estimation difficile.

La majorité des pannes liées aux bougies d'allumage sont dues à un couple de serrage incorrect.

S'il est choisi faible, la perte de compression peut générer une surchauffe et les vibrations peuvent créer une rupture de l'isolant ou de l'électrode centrale.

A contrario, S'il est trop élevé, il peut résulter un arrachage du

filetage de la bougie d'allumage. Le culot peut également se serrer dans la culasse. Les zones d'évacuation de chaleur peuvent se détruire, ce qui peut provoquer une surchauffe et une fonte des électrodes voire même une panne du moteur.

Matériau de culasse	Bougie d'allumage à siège plat (avec joint d'étanchéité)				Bougie d'allumage à siège conique	
	Diamètre de filet				Diamètre de filet	
	18 mm	14 mm	12 mm	10 mm	18 mm	14 mm
Culasse en fonte de fer	35-45 Nm	25-35 Nm	15-25 Nm	10-15 Nm	20-30 Nm	15-25 Nm
Culasse en aluminium	35-40 Nm	25-30 Nm	15-20 Nm	10-12 Nm	20-30 Nm	10-20 Nm

Le couple de serrage dépend du matériau de la culasse et du diamètre de filetage du culot de la bougie.

## Couples de serrage Bougies de préchauffage

### Le bon couple de serrage

Pour monter correctement une bougie de préchauffage, il est recommandé d'utiliser une clé dynamométrique. Car même pour les mécaniciens il est presque impossible d'estimer le couple de serrage.

Ceci vient du fait qu'un couple de serrage est composé de deux valeurs qui sont à multiplier

ensemble : la force qui agit sur le point de rotation respectif et la longueur du levier.

Si on applique un couple de serrage erroné à une bougie de préchauffage, ceci peut entraîner des pertes de compression. Pour les bougies de préchauffage en céramique, une rupture de la céramique est possible en raison des vibrations.

De même, l'application d'un couple de serrage trop important peut conduire à une rétractation de la fente du segment entre le culot et le tube de préchauffage. Dans ce cas de figure, la bougie de préchauffage surchauffe et grille.

! Veuillez suivre les instructions si un couple ou un angle de serrage est spécifié sur l'emballage !!

Bougie de préchauffage en métal					Bougie de préchauffage en céramique	
Diamètre de filet					Diamètre de filet	
M8	M9	M10	M12	M14	M8	M10
8,5 Nm	11 Nm	15 Nm	23 Nm	23 Nm	10 Nm	18 Nm
+/- 10	+/- 10	+/- 10	+/- 10	+/- 10	+/- 10	+/- 10

Couples de serrage des écrous de raccord	
Diamètre de filet	Couple de serrage
4 mm (M4)	0,8-1,5 Nm
5 mm (M5)	3,0-4,0 Nm

Pour que les bougies de préchauffage fonctionnent parfaitement, elles doivent être vissées avec le bon couple de serrage

## Coppie di serraggio candele

### Coppie di serraggio

Per installarle a regola d'arte una candela di accensione è necessario utilizzare una chiave dinamometrica.

La coppia di serraggio è data dal prodotto tra la forza applicata per il serraggio e la lunghezza del braccio della chiave (leva).

Molti degli inconvenienti riscontrabili sulle candele sono riconducibili ad una coppia di serraggio errata. Se la coppia risulta troppo bassa potrebbero

verificarsi perdite di compressione e surriscaldamenti. Si può anche incorrere ad una rottura dell'isolatore o dell'elettrodo centrale in conseguenza delle vibrazioni.

Se la coppia di serraggio risulta troppo elevata, il corpo metallico

della candela potrebbe subire deformazioni a tal punto da compromettere l'efficienza dello scambio termico della candela. Naturale conseguenza sono fenomeni di surriscaldamento e danni al motore.

Materiale testata	Candela con sede piatta (con guarnizione)				Candele con sede conica	
	Diametro filettatura				Diametro filettatura	
	18 mm	14 mm	12 mm	10 mm	18 mm	14 mm
Testata in ghisa	35-45 Nm	25-35 Nm	15-25 Nm	10-15 Nm	20-30 Nm	15-25 Nm
Testata in alluminio	35-40 Nm	25-30 Nm	15-20 Nm	10-12 Nm	20-30 Nm	10-20 Nm

Le coppie di serraggio dipendono dal materiale della testata e dal diametro della filettatura

## Coppie di serraggio candelette

### La coppia corretta

Per il montaggio a regola d'arte di una candeletta si consiglia l'uso di una chiave dinamometrica.

Persino per i professionisti dell'officina, infatti, è praticamente impossibile valutare la coppia di serraggio senza lo strumento adatto.

La coppia è data dal prodotto tra la forza applicata per il serraggio e la lunghezza del braccio della chiave (leva).

Se ad una candeletta viene applicata una coppia errata, possono verificarsi perdite di compressione. A causa delle vibrazioni, inoltre, nelle candelette

con bulbo ceramico potrebbe verificarsi una rottura della ceramica.

L'applicazione di una coppia di serraggio eccessivo può anche causare una deformazione del corpo metallico. In questo caso la candeletta può anche surriscaldarsi e guastarsi.

! Se sulla confezione è indicato un angolo o una coppia di serraggio specifico, attenersi alle indicazioni !!!

Candele metallica					Candele ceramica	
Diametro filettatura					Diametro filettatura	
M8	M9	M10	M12	M14	M8	M10
8,5 Nm	11 Nm	15 Nm	23 Nm	23 Nm	10 Nm	18 Nm
+/- 10	+/- 10	+/- 10	+/- 10	+/- 10	+/- 10	+/- 10

Coppia di serraggio dei dadi di collegamento	
Diametro filettatura	Coppia di serraggio
4 mm (M4)	0,8-1,5 Nm
5 mm (M5)	3,0-4,0 Nm

Le candelette funzionano correttamente solo se vengono avvitate con le coppie giuste

## Pares de apriete Bujías de encendido

### Pares de apriete

Para montar correctamente una bujía se necesita una llave dinamométrica, puesto que incluso para los técnicos profesionales de los talleres resulta casi imposible calcular el par de apriete correcto.

Esto se debe a que los pares de apriete se calculan multiplicando dos dimensiones: la fuerza que se aplica sobre el punto de giro correspondiente y la longitud de la palanca.

La mayoría de los fallos que se producen en las bujías se deben a que el par de apriete es incorrecto. Si es demasiado bajo, las pérdidas de compresión podrían provocar un sobrecalentamiento. También se podría romper el aislador o el electrodo central a consecuencia de las vibraciones.

Si el par de apriete es demasiado alto, la bujía se podría romper. También la caja podría expandirse o torcerse. Las zonas de salida del calor se estropearían, los electrodos podrían sufrir sobrecalentamiento o fundirse y provocar una avería en el motor.

Material de la culata	Bujía de encendido con base plana (con junta)				Bujía de encendido con base cónica	
	Diámetro de la rosca				Diámetro de la rosca	
	18 mm	14 mm	12 mm	10 mm	18 mm	14 mm
Culata de fundición	35-45 Nm	25-35 Nm	15-25 Nm	10-15 Nm	20-30 Nm	15-25 Nm
Culata de aluminio	35-40 Nm	25-30 Nm	15-20 Nm	10-12 Nm	20-30 Nm	10-20 Nm

Los pares de apriete dependen del material de la culata y del diámetro de la rosca

## Pares de apriete Bujías de incandescencia

### El par de apriete correcto

Para garantizar el montaje correcto de un calentador se recomienda utilizar una llave dinamométrica, puesto que incluso para los técnicos profesionales de los talleres resulta casi imposible calcular el par de apriete correcto.

Esto se debe a que los pares de apriete se calculan a partir de dos

valores que se multiplican entre sí: la fuerza que se aplica sobre el punto de giro correspondiente y la longitud de la palanca.

Si se aplica un par de apriete incorrecto a una bujía se pueden producir pérdidas de la compresión. La parte cerámica de los calentadores de cerámica además podría romperse por efecto de las vibraciones.

Sobre todo, si se aplica un par de apriete demasiado grande podría reducirse el espacio anular entre la caja metálica y el tubo de incandescencia, provocando el sobrecalentamiento del calentador, que dejaría de funcionar.

!!!Siga las instrucciones del embalaje si se especifica un par o un ángulo de apriete en concreto!!!

Calentador metálico					Calentador de cerámica	
Diámetro de la rosca					Diámetro de la rosca	
M8	M9	M10	M12	M14	M8	M10
8,5 Nm	11 Nm	15 Nm	23 Nm	23 Nm	10 Nm	18 Nm
+/- 10	+/- 10	+/- 10	+/- 10	+/- 10	+/- 10	+/- 10

Pares de apriete de las tuercas de conexión	
Diámetro de la rosca	Par de apriete
4 mm (M4)	0,8-1,5 Nm
5 mm (M5)	3,0-4,0 Nm

Sólo cuando los calentadores están atornillados con el par de apriete correcto pueden funcionar correctamente

## Aandraaimomenten bougies

### Aandraaimomenten

Voor de vakkundige montage van een bougie is een draaimomentsleutel noodzakelijk. Want zelfs voor vakmensen uit een garage is het vrijwel onmogelijk om het aandraaimoment te schatten.

Dat komt doordat een aandraaimoment berekend wordt door twee grootheden met elkaar te vermenigvuldigen: de kracht, die op het betreffende draaipunt inwerkt en de lengte van de hendel.

Als een bougie uitvalt, is een verkeerd aandraaimoment meestal de oorzaak hiervan. Als het aandraaimoment te laag is, bestaat gevaar voor compressieverlies en oververhitting. Ook is een breuk van de isolator of de midden-elektrode denkbaar als gevolg van trillingen.

Als het aandraaimoment te hoog is, kan de bougie afbreken. Ook kan de behuizing uitzetten of zich verdraaien. De zones voor de warmteafleiding worden vernield, er bestaat gevaar voor oververhitting, samensmelten van de elektroden en zelfs motorschade.

Cilinderkop-materiaal	Bougie met vlakke zitting (met dichting)				Bougie met conische zitting	
	Schroefdraaddiameter				Schroefdraaddiameter	
	18 mm	14 mm	12 mm	10 mm	18 mm	14 mm
Gietijzeren kop	35-45 Nm	25-35 Nm	15-25 Nm	10-15 Nm	20-30 Nm	15-25 Nm
Aluminium kop	35-40 Nm	25-30 Nm	15-20 Nm	10-12 Nm	20-30 Nm	10-20 Nm

De aandraaimomenten zijn afhankelijk van het cilinderkopmateriaal en de Schroefdraaddiameter

## Aandraaimomenten gloeibougies

### Aandraaimomenten

Om een gloeibougie vakkundig te kunnen monteren, is het raadzaam om gebruik te maken van een draaimomentsleutel. Want zelfs voor vakmensen uit een garage is het vrijwel onmogelijk om het aandraaimoment te schatten.

Das komt doordat een aandraaimoment berekend wordt door twee grootheden met elkaar

te vermenigvuldigen: de kracht, die op het betreffende draaipunt inwerkt en de lengte van de hendel. Als een gloeibougie met een verkeerd aandraaimoment vastgedraaid wordt, kan compressieverlies ontstaan. Bij keramische gloeibougies is het bovendien ook mogelijk dat er

door trillingen een breuk in de keramiek ontstaat. Ook kan vooral het gebruik van een te groot aandraaimoment ertoe leiden dat de ringopening tussen de metalen behuizing en de gloeibuis samentrekt. In dit geval raakt de gloeibougie oververhit en valt uit.

! Volg deze instructie indien een specifiek aandraaimoment of een specifieke hoek op de verpakking wordt vermeld !!!

Metalen bougie					Keramische bougie	
Schroefdraaddiameter					Schroefdraaddiameter	
M8	M9	M10	M12	M14	M8	M10
8,5 Nm	11 Nm	15 Nm	23 Nm	23 Nm	10 Nm	18 Nm
+/- 10	+/- 10	+/- 10	+/- 10	+/- 10	+/- 10	+/- 10

Aandraaimoment van de aansluitmoeren	
Schroefdraaddiameter	Aandraaimoment
4 mm (M4)	0,8-1,5 Nm
5 mm (M5)	3,0-4,0 Nm

Alleen als de gloeibougies met het juiste aandraaimoment ingeschroefd worden, functioneren ze optimaal.





## Binários Velas de ignição

### O torque de aperto correcto para velas de ignição

Para a montagem correcta de uma vela de ignição é necessário usar uma chave dinamométrica. Porque mesmo o mecânico mais experiente é incapaz de "estimar" o torque de aperto.

Isto se explica pelo facto de o binário ser calculado a partir de dois valores que são multiplicados: A força, que actua no respectivo ponto rotativo, e o comprimento da alavanca.

A maior parte das falhas das velas de ignição resultam de um torque de aperto errado. Se este for demasiado baixo, existe o risco de perdas de compressão e de sobreaquecimento. Também é possível que aconteça uma quebra do isolador ou do eléctrodo central por causa das vibrações.

Por outro lado, ao escolher um binário demasiado alto, isto pode levar à ruptura da vela de ignição. A carcaça além disso pode ficar dilatada ou distorcida. As zonas de dissipação de calor ficam danificadas, existe o risco de fundição dos eléctrodos e, inclusive, de gripar o motor.

Material da colaça	Vela de ignição com assento plano (com junta)				Vela de ignição com assento cónico	
	Diâmetro da rosca				Diâmetro da rosca	
	18 mm	14 mm	12 mm	10 mm	18 mm	14 mm
Cabeça de ferro fundido	35-45 Nm	25-35 Nm	15-25 Nm	10-15 Nm	20-30 Nm	15-25 Nm
Cabeça de alumínio	35-40 Nm	25-30 Nm	15-20 Nm	10-12 Nm	20-30 Nm	10-20 Nm

O torque de aperto depende do material da colaça e do diâmetro da rosca

## Binários Velas de incandescência

### O torque de aperto correcto para a montagem de velas incandescentes

Para a montagem correcta de uma vela incandescente é recomendável usar uma chave dinamométrica. Porque mesmo o mecânico mais experiente é incapaz de "estimar" o torque de aperto.

Isto se explica pelo facto de o binário ser calculado a partir de dois valores que são multiplicados: A força, que actua no respectivo ponto rotativo, e o comprimento da alavanca.

Se a vela de incandescência for apertada com um torque de aperto errado podem surgir perdas de compressão. Por causa

das vibrações ainda é possível que aconteça uma quebra da cerâmica.

Um torque de aperto excessivo ainda pode provocar a compressão da folga do anel entre a carcaça metálica e o tubo incandescente. Neste caso, a vela de incandescência sobreaquece e avaria.

! Siga as instruções caso o par de aperto ou ângulo especificados sejam mencionados na embalagem!!!

Vela de Incandescência Metálica					Vela de Incandescência em Cerâmica	
Diâmetro da rosca					Diâmetro da rosca	
M8	M9	M10	M12	M14	M8	M10
8,5 Nm	11 Nm	15 Nm	23 Nm	23 Nm	10 Nm	18 Nm
+/- 10	+/- 10	+/- 10	+/- 10	+/- 10	+/- 10	+/- 10

Torque de aperto das porcas	
Diâmetro da rosca	Torque de aperto
4 mm (M4)	0,8-1,5 Nm
5 mm (M5)	3,0-4,0 Nm

As velas de incandescência só funcionam impecavelmente se forem apertadas com o torque de aperto correcto.

## Ροπές σύσφιξης μπουζί

### Η σωστή ροπή σύσφιξης των μπουζί

Για την τοποθέτηση ενός μπουζί σύμφωνα με τους κανόνες, απαιτείται η χρήση ενός ροπόκλειδου. Ακόμη και για τους επαγγελματίες των συνεργείων η "εκτίμηση" της ορθής ροπής σύσφιξης είναι σχεδόν αδύνατη. Αυτό έγκειται στο ότι η ροπή σύσφιξης υπολογίζεται από δύο μεγέθη, τα οποία πολλαπλασιάζονται μεταξύ τους: από τη δύναμη, η οποία επενεργεί στο αντίστοιχο σημείο περιστροφής και το μήκος του μοχλού.

Οι περισσότερες δυσλειτουργίες των μπουζί οφείλονται στη λανθασμένη ροπή σύσφιξης. Εάν επιλεχθεί πολύ μικρή, υπάρχει ο κίνδυνος απώλειας συμπίεσης και υπερθέρμανσης.

Είναι πιθανή, ακόμη και η ρήξη του μονωτήρα ή του κεντρικού ηλεκτροδίου, λόγω των κραδασμών.

Εφόσον η ροπή σύσφιξης επιλεχθεί πολύ ψηλή, μπορεί να προκληθεί αποκοπή του μπουζί. Ακόμη ενδέχεται να διασταλεί το περιβλήμα ή να συστραφεί. Οι ζώνες απαγωγής θερμότητας διαταράσσονται, παρουσιάζεται η απειλή υπερθέρμανσης και τήξης των ηλεκτροδίων, μέχρι και η πρόκληση ζημιάς στον κινητήρα.

Υλικό κυλινδροκεφαλής	Μπουζί με επίπεδη εφαρμογή (με στεγανοποίηση)				Μπουζί με κωνική εφαρμογή	
	Διάμετρος σπειρώματος				Διάμετρος σπειρώματος	
	18 mm	14 mm	12 mm	10 mm	18 mm	14 mm
Κεφαλή από χυτοσίδηρο	35-45 Nm	25-35 Nm	15-25 Nm	10-15 Nm	20-30 Nm	15-25 Nm
Κεφαλή από αλουμίνιο	35-40 Nm	25-30 Nm	15-20 Nm	10-12 Nm	20-30 Nm	10-20 Nm

Οι τιμές της ροπής σύσφιξης, εξαρτώνται από το υλικό της κυλινδροκεφαλής και τη διάμετρο σπειρώματος.

## Ροπές σύσφιξης προθερμαντήρες

### Η σωστή ροπή σύσφιξης για την τοποθέτηση των προθερμαντήρων

Για τη σύμφωνη με τις προδιαγραφές τοποθέτηση ενός προθερμαντήρα απαιτείται η χρήση ενός ροπόκλειδου. Ακόμη και για τους επαγγελματίες των συνεργείων η εκτίμηση της ορθής ροπής σύσφιξης είναι σχεδόν αδύνατη. Αυτό έγκειται στο ότι η ροπή σύσφιξης υπολογίζεται από δύο μεγέθη, τα οποία

πολλαπλασιάζονται μεταξύ τους: από τη δύναμη, η οποία επενεργεί στο αντίστοιχο σημείο περιστροφής και το μήκος του μοχλού. Εφόσον εφαρμοστεί στον προθερμαντήρα μία λάθος ροπή σύσφιξης, μπορεί να προκληθούν απώλειες συμπίεσης. Είναι πιθανό επίσης λόγω των ταλαντώσεων να σπάσει το κεραμικό υλικό στην περίπτωση των κεραμικών προθερμαντήρων

Επίσης μπορεί ιδιαίτερα με τη χρήση μίας πολύ μεγάλης ροπής σύσφιξης να προκληθεί το κλείσιμο της σχισμής δακτυλίου μεταξύ του μεταλλικού περιβλήματος και του σωλήνα πυράκτωσης. Σε αυτήν την περίπτωση υπερθερμαίνεται ο προθερμαντήρας και παύει να λειτουργεί.

! Εάν στη συσκευασία αναφέρεται συγκεκριμένη ροπή ή γωνία σύσφιξης, ακολουθήστε τις οδηγίες!

Μεταλλικός προθερμαντήρας					Κεραμικός προθερμαντήρας	
Διάμετρος σπειρώματος					Διάμετρος πειρώματος	
M8	M9	M10	M12	M14	M8	M10
8,5 Nm	11 Nm	15 Nm	23 Nm	23 Nm	10 Nm	18 Nm
+/- 10	+/- 10	+/- 10	+/- 10	+/- 10	+/- 10	+/- 10

Ροπές σύσφιξης των παξιμαδιών σύνδεσης	
Διάμετρος σπειρώματος	Ροπή σύσφιξης
4 mm (M4)	0,8-1,5 Nm
5 mm (M5)	3,0-4,0 Nm

Μόνο εφόσον βιδωθούν προθερμαντήρες με τη σωστή ροπή σύσφιξης, αυτοί λειτουργούν απρόσκοπτα

## Buji torkları

### Torklar

Bir bujinin usule uygun montajı için ayarlı tork anahtarı gereklidir. Çünkü usta oto servisçiler için bile sıkma torkunu tahmin etmek neredeyse imkansızdır. Bunun nedeni, sıkma torkunun birbiriyle çarpılan iki parametreden hesaplanmasıdır: ilgili döndürme noktasına etki eden kuvvet ve manivela kolunun uzunluğu.

Buji arızalarının çoğu yanlış sıkma torkundan kaynaklanır. Sıkma torku fazla küçük seçilirse sıkışma kayıpları ve aşırı hararet tehlikesi vardır. Ayrıca titreşimler sonucunda izolatörün ya da orta elektrodun kırılması da akla gelebilecek ihtimallerdir.

Sıkma torku fazla büyük seçilirse, bu durum bujinin kopmasına yol açabilir. Ayrıca gövde genişlenebilir ya da burulabilir. Isı iletim bölgeleri zedelenir, aşırı hararet ve elektrotların erimesi ve hatta motorun hasar görmesi tehlikesi vardır.

Silindir kapağı malzemesi	Basık tabanlı buji (sızdırmazlık elemanı)				Konik tabanlı buji	
	Diş çapı				Diş çapı	
	18 mm	14 mm	12 mm	10 mm	18 mm	14 mm
Dökme demir kapak	35-45 Nm	25-35 Nm	15-25 Nm	10-15 Nm	20-30 Nm	15-25 Nm
Alüminyum kapak	35-40 Nm	25-30 Nm	15-20 Nm	10-12 Nm	20-30 Nm	10-20 Nm

Sıkma torkları silindir kapağının yapıldığı malzemeye ve vida diş çapına bağlıdır

## Akkor buji torkları

### Doğru sıkma torku

Bir kızdırma bujisinin usule uygun montajı için ayarlı tork anahtarı kullanılması tavsiye edilir. Çünkü usta oto servisçiler için bile sıkma torkunu tahmin etmek neredeyse imkansızdır.

Bunun nedeni, sıkma torkunun birbiriyle çarpılan iki parametreden hesaplanmasıdır:

ilgili döndürme noktasına etki eden kuvvet ve manivela kolunun uzunluğu.

Bir kızdırma bujisinde yanlış sıkma torku uygulanırsa, sıkıştırma kayıpları meydana gelebilir. Titreşimler nedeniyle ayrıca seramik kızdırma bujilerinde seramiğin kırılması mümkündür.

Fazla büyük bir sıkma torkunun kullanılması ayrıca metal muhafaza ile kızdırma borusu arasındaki halka aralığının büzülmesine yol açabilir. Bu durumda kızdırma bujisi aşırı ısınır ve devre dışı kalır.

! Belirtilen sıkma torku veya aç ambalajın üzerinde gösterilmişse lütfen talimatları izleyin !!!

Metal Tip Kızdırma Bujisi					Seramik Tip Kızdırma Bujisi	
Vida diş çapı					Vida diş çapı	
M8	M9	M10	M12	M14	M8	M10
8,5 Nm	11 Nm	15 Nm	23 Nm	23 Nm	10 Nm	18 Nm
+/- 10	+/- 10	+/- 10	+/- 10	+/- 10	+/- 10	+/- 10

Bağlantı somunlarının sıkma torkları	
Vida diş çapı	Sıkma torku
4 mm (M4)	0,8-1,5 Nm
5 mm (M5)	3,0-4,0 Nm

Kızdırma bujileri yalnızca doğru sıkma torklarıyla vidalanırsa, sorunsuz çalışırlar

## Momenty dokręcenia świec zapłonowych

### Momenty dokręcenia

Do fachowego montażu świecy zapłonowej konieczny jest klucz dynamometryczny. Ponieważ sami fachowcy warsztatowi nie są w stanie dokładnie ocenić momentu dokręcenia.

Wynika to z tego, że moment dokręcenia oblicza się na podstawie dwóch wielkości, które wzajemnie mnoży się: siły, która działa w danym punkcie obrotu oraz długości dźwigni.

Większość awarii świec zapłonowych spowodowanych jest błędnym momentem dokręcenia. Jeśli moment dokręcenia wybierze się za mały, może nastąpić utrata sprężenia i przegrzanie. Możliwe jest również pęknięcie izolatora lub elektrody środkowej na skutek drgań.

Jeśli moment dokręcenia wybierze się za duży, może dojść do zerwania świecy zapłonowej. Także korpus nie będzie mógł się rozciągnąć ani przekręcić. Strefy odpływu ciepła będą zakłócone, istnieje niebezpieczeństwo przegrzania i stopienia elektrod aż do uszkodzenia silnika.

Material głowicy silnika	Świeca zapłonowa z płaskim gniazdem (z uszczelką)				Świeca zapłonowa ze stożkowym gniazdem	
	Średnica gwintu				Średnica gwintu	
	18 mm	14 mm	12 mm	10 mm	18 mm	14 mm
Głowica żeliwna	35-45 Nm	25-35 Nm	15-25 Nm	10-15 Nm	20-30 Nm	15-25 Nm
Głowica aluminiowa	35-40 Nm	25-30 Nm	15-20 Nm	10-12 Nm	20-30 Nm	10-20 Nm

Momenty dokręcenia zależą od materiału głowicy silnika i średnicy gwintu

## Momenty dokręcenia świec żarowych

### Właściwy moment obrotowy

Do fachowego montażu świecy żarowej zaleca się stosowanie klucza dynamometrycznego.

Ponieważ sami fachowcy warsztatowi nie są w stanie dokładnie ocenić momentu dokręcenia.

Wynika to z tego, że moment dokręcenia oblicza się na podstawie dwóch wielkości, które

wzajemnie mnoży się: siły, która działa w danym punkcie obrotu oraz długości dźwigni.

Jeśli świecę żarową dokręci się niewłaściwym momentem obrotowym, może nastąpić utrata kompresji. Ze względu na drgania w przypadku ceramicznych świec żarowych możliwe jest również pęknięcie ceramiki.

Także szczególnie użycie zbyt dużego momentu dokręcenia może spowodować zmniejszenie się szczeliny pierścieniowej pomiędzy metalową obudową i rurką żarzenia. W takim przypadku nastąpi przegrzanie świecy żarowej i jej uszkodzenie.

! Stosować się do instrukcji, jeśli na opakowaniu podano moment dokręcania lub kąt!!!

Metalowa świeca żarowa					Ceramiczna świeca żarowa	
Średnica gwintu					Średnica gwintu	
M8	M9	M10	M12	M14	M8	M10
8,5 Nm	11 Nm	15 Nm	23 Nm	23 Nm	10 Nm	18 Nm
+/- 10	+/- 10	+/- 10	+/- 10	+/- 10	+/- 10	+/- 10

Moment dokręcenia nakrętek	
Średnica gwintu	Moment dokręcenia
4 mm (M4)	0,8–1,5 Nm
5 mm (M5)	3,0–4,0 Nm

Tylko wtedy, gdy świece żarowe dokręcone są właściwym momentem obrotowym, działają bez zarzutu.

## Utahovací momenty zapalovacích svíček

### Správný utahovací moment pro zapalovací svíčky

Pro správnou montáž zapalovací svíčky je potřebný momentový klíč. Dokonce i pro profesionála ze servisu je totiž téměř nemožný "odhad" utahovacího momentu.

To je dáno tím, že utahovací moment se vypočítá ze dvou veličin, které se vzájemně násobí: síly, která v daném bodu otáčení působí, a délky páky.

Většina výpadků zapalovacích svíček má příčinu ve špatném utahovacím momentu. Pokud je příliš malý, hrozí ztráta komprese a přehřátí. V důsledku vibrací může dojít i k prasknutí izolátoru nebo střední elektrody.

Pokud je utahovací moment příliš velký, může dojít k vytržení zapalovací svíčky. Také může dojít k protažení nebo deformaci těla. Negativně jsou ovlivněny zóny odvodu tepla, hrozí přehřátí a roztavení elektrod až poškození motoru.

Materiál hlavy válce	Zapalovací svíčka s plochým sedlem (s těsněním)				Zapalovací svíčka s kónickým sedlem	
	Průměr závitu				Průměr závitu	
	18 mm	14 mm	12 mm	10 mm	18 mm	14 mm
Litinová hlava	35-45 Nm	25-35 Nm	15-25 Nm	10-15 Nm	20-30 Nm	15-25 Nm
Hliníková hlava	35-40 Nm	25-30 Nm	15-20 Nm	10-12 Nm	20-30 Nm	10-20 Nm

Utahovací momenty jsou závislé na materiálu hlavy válce a průměru závitu

## Utahovací momenty žhavicích svíček

### Správný utahovací moment pro montáž žhavicích svíček

Pro správnou montáž žhavicí svíčky se doporučuje použití momentového klíče. Dokonce i pro profesionála ze servisu je totiž téměř nemožný odhad utahovacího momentu.

To je dáno tím, že utahovací moment se vypočítá ze dvou veličin, které se vzájemně násobí:

síly, která v daném bodu otáčení působí, a délky páky.

Pokud se u žhavicí svíčky použije špatný utahovací moment, může to vést ke ztrátě komprese.

Kvůli vibracím je u keramických žhavicích svíček navíc riziko prasknutí keramiky.

Zvláště také vynaložení příliš velkého utahovacího momentu vede ke stažení kruhové mezery mezi kovovým tělesem a žhavicí trubicou. V takovém případě se žhavicí svíčka přehřívá a dojde k jejímu výpadku.

! Prosím, následujte instrukce pokud je specifikována utahovací moment nebo úhel je uvedeno na obalu !!!

Kovových žhavicích svíček					Keramických žhavicích svíček	
Průměr závitu					Průměr závitu	
M8	M9	M10	M12	M14	M8	M10
8,5 Nm	11 Nm	15 Nm	23 Nm	23 Nm	10 Nm	18 Nm
+/- 10	+/- 10	+/- 10	+/- 10	+/- 10	+/- 10	+/- 10

Utahovací momenty přípojných matic	
Průměr závitu	Utahovací moment
4 mm (M4)	0,8–1,5 Nm
5 mm (M5)	3,0–4,0 Nm

Pouze žhavicí svíčky zašroubované se správným utahovacím momentem fungují bezchybně

## Gyújtógyertyák nyomatókai

A gyújtógyertya szakszerű beszereléséhez ajánlott a nyomatókulcs használata. A meghúzási nyomatók megbecslése még a profi szerelők számára is közel lehetetlen.

Ez abból adódik, hogy a nyomatók két mennyiség szorzataként adódik: a mindenkori forgásponton ható erő és az erőkar hossza.

A legtöbb gyújtógyertya meghibásodást a hibás meghúzási nyomatók okozza. Ha túl alacsony, kompresszió veszteség és túlhevülés léphet fel. Előfordulhat a szigetelő vagy a közélektroda rezgés okozta törése is.

Ha túl magas, a gyertya elszakadhat. A ház is megnyúlhat ill. elcsavarodhat. Zavar keletkezik a hőelvezetés útjaiban, túlmelegedés és az elektrodák leolvadása fenyeget, ami motorhibát okozhat.

Hengerfej anyaga	Gyújtógyertya sík ülékkel (tömítéssel)				Gyújtógyertya kúpos ülékkel	
	Menet átmérő				Menet átmérő	
	18 mm	14 mm	12 mm	10 mm	18 mm	14 mm
Öntöttvas fej	35-45 Nm	25-35 Nm	15-25 Nm	10-15 Nm	20-30 Nm	15-25 Nm
Alumínium fej	35-40 Nm	25-30 Nm	15-20 Nm	10-12 Nm	20-30 Nm	10-20 Nm

A meghúzási nyomatók függ a hengerfej anyagától és a menet átmérőjétől

## Izzítógyertyák nyomatókai

Az izzítógyertya szakszerű beszereléséhez ajánlott a nyomatókulcs használata. A meghúzási nyomatók megbecslése még a profi szerelők számára is közel lehetetlen.

Ez abból adódik, hogy a nyomatók két mennyiség szorzataként adódik: a mindenkori forgásponton ható erő és az erőkar hossza.

A nem megfelelő nyomatókkal meghúzott izzítógyertyánál kompresszióvesztés léphet fel. A fellépő rezgések miatt, a kerámia gyertyáknál a törés veszélye is fennáll.

A túl nagy nyomatókkal történt meghúzás esetén a fém ház és az izzítócső közötti, kör alakú rész is összehúzódhat. Ez esetben a gyertya túlmelegszik és tönkremegy.

! Kérjük, kövesse az utasításokat, ha megadott nyomatók, vagy szög szerepel a csomagoláson!!!

Fém izzítógyertya					Kerámia izzítógyertya	
Menet átmérő					Menet átmérő	
M8	M9	M10	M12	M14	M8	M10
8,5 Nm	11 Nm	15 Nm	23 Nm	23 Nm	10 Nm	18 Nm
+/- 10	+/- 10	+/- 10	+/- 10	+/- 10	+/- 10	+/- 10

A csatlakozó anyák meghúzási nyomatókai	
Menet átmérő	Meghúzási nyomatók
4 mm (M4)	0,8–1,5 Nm
5 mm (M5)	3,0–4,0 Nm

Csak a megfelelő meghúzási nyomatókkal szerelt izzítógyertya működik kifogástalanul.

## Моменты затяжки свечей зажигания

### Крутящие моменты

Для компетентного монтажа свечи зажигания требуется динамометрический ключ. Поскольку даже для специалистов почти невозможно оценить момент затяжки.

Это связано с тем, что крутящий момент состоит из двух величин, умножаемых друг на друга: силы, воздействующей на соответствующий центр вращения и длины рукоятки.

Большинство поломок свечей зажигания происходит из-за неправильного момента затяжки. Если он будет слишком низким, возникнут потери компрессии и перегрев. Из-за вибрации может также сломаться изолятор или средний электрод.

Если крутящий момент будет слишком высоким, свеча зажигания может оторваться. Также может расширяться или деформироваться корпус. Нарушаются зоны теплоотведения, что чревато перегревом и оплавлением электродов, вплоть до поломки двигателя.

Материал головки цилиндра	Свеча зажигания с плоской посадкой (с уплотнением)				Свеча зажигания с конической посадкой	
	Диаметр резьбы				Диаметр резьбы	
	18 мм	14 мм	12 мм	10 мм	18 мм	14 мм
Чугунная головка	35-45 Нм	25-35 Нм	15-25 Нм	10-15 Нм	20-30 Нм	15-25 Нм
Алюминиевая головка	35-40 Нм	25-30 Нм	15-20 Нм	10-12 Нм	20-30 Нм	10-20 Нм

Крутящие моменты зависят от материала головки цилиндра и диаметра резьбы

## Моменты затяжки свечей накаливания

### Правильный крутящий момент

Для надлежащего монтажа свечи накаливания рекомендуется использовать динамометрический ключ. Поскольку даже для специалистов почти невозможно оценить момент затяжки.

Это связано с тем, что крутящий момент состоит из двух величин, умножаемых друг на друга: силы, воздействующей на соответствующий центр вращения и длины рукоятки.

Если свеча накаливания уста навливается посредством неправильного крутящего момента, это может привести к потере компрессии. Из-за

вибрации в керамических свечах накаливания может лопнуть керамика.

Применение слишком высокого момента затяжки может повлечь за собой сужение кольцевого зазора между металлическим корпусом и калильной трубкой. В этом случае свеча накаливания перегревается и выходит из строя.

⚠ Пожалуйста, следуйте инструкциям, если момент затяжки или угол поворота указаны на упаковке!!!

Металлическая свеча накаливания					Керамическая свеча накаливания	
Диаметр резьбы					Диаметр резьбы	
M8	M9	M10	M12	M14	M8	M10
8,5 Нм	11 Нм	15 Нм	23 Нм	23 Нм	10 Нм	18 Нм
+/- 10	+/- 10	+/- 10	+/- 10	+/- 10	+/- 10	+/- 10

Моменты затяжки контактных гаек	
Диаметр резьбы	Момент затяжки
4 мм (M4)	0,8–1,5 Нм
5 мм (M5)	3,0–4,0 Нм

Только при правильном крутящем моменте свечи накаливания действуют исправно

SERIES



IGNITION  
PARTS



# Series of NGK SPARK PLUGS

NGK Zündkerzenserien

Series de bujías de encendido NGK


Séries des bougies NGK

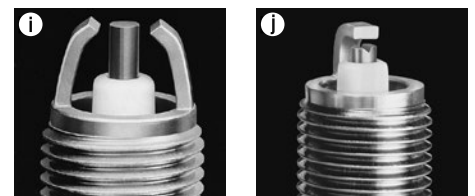
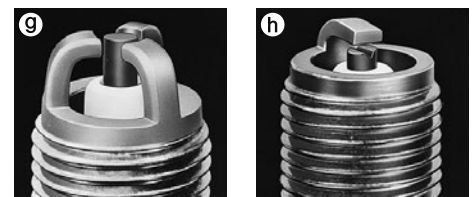
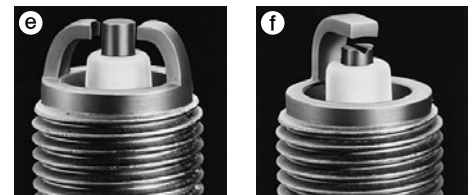
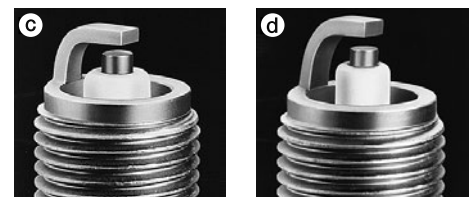
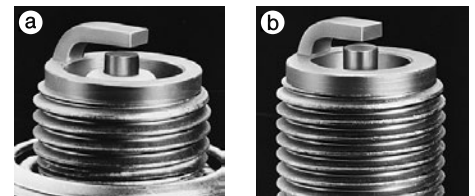
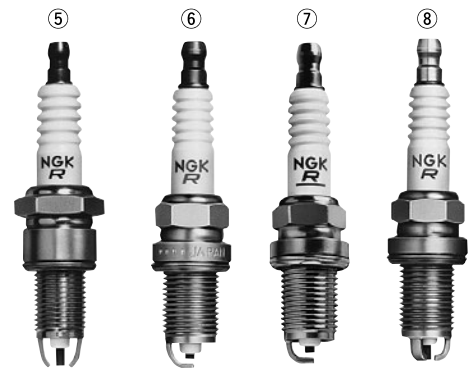
Typbeteckningar för NGK tändstift


## STANDARD TYPES

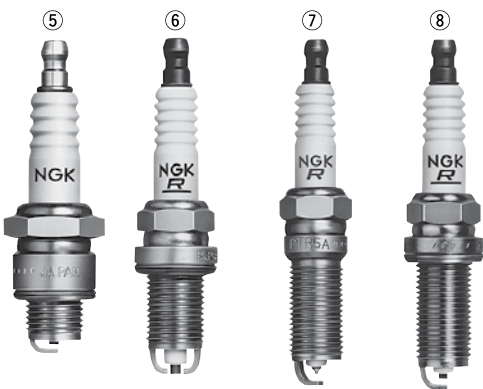
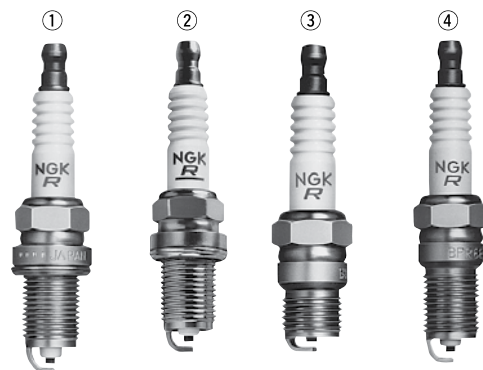
STANDARD AUSFÜHRUNGEN  
TIPOS ESTANDARES


TYPES STANDARDS  
STANDARDTYPER

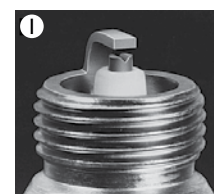
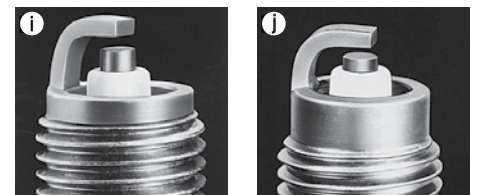
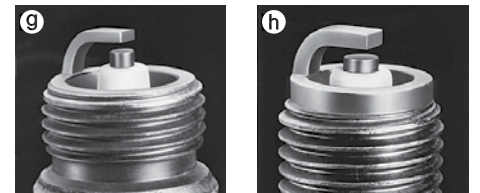
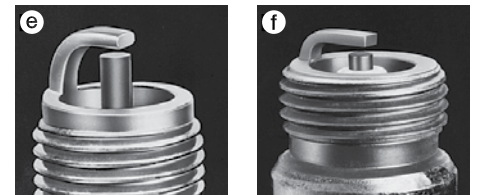
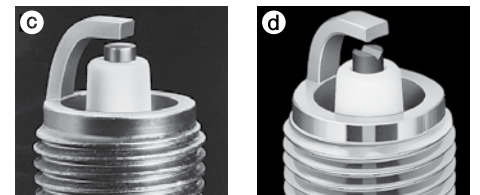
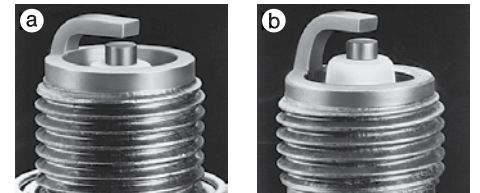
	NON-RESISTOR NON-RÉSISTANCE ICKERESISTOR	OHNE WIDERSTAND NO-RESISTOR	RESISTOR RÉSISTANCE RESISTOR	MIT WIDERSTAND RESISTOR				
$\varnothing$ 14mm $\times$ 9.5mm Hex 20.8mm Fig. ①(a)	<b>B-2</b> <b>B-4</b> <b>B6S</b> <b>B7S</b> <b>B8S</b>		<b>BR6S</b>					
					Fig. ①(c)	<b>BP-4</b> <b>BP5S</b> <b>BP6S</b>		
$\varnothing$ 14mm $\times$ 19.0mm Hex 20.8mm Fig. ②(a)	<b>B4ES</b> <b>B5ES</b> <b>B6ES,-11</b> <b>B7ES,-11</b> <b>B8ES</b> <b>B9ES</b> <b>B10ES</b>		<b>BR4ES</b> <b>BR5ES</b> <b>BR6ES,-11</b> <b>BR7ES</b> <b>BR8ES,-11</b> <b>BR9ES</b> <b>BR10ES</b>					
					Fig. ②(b)		<b>BR6EB-L-11</b>	
					Fig. ②(h)		<b>BR8EYA</b> <b>BR9EYA</b> <b>BR10EYA</b>	
					Fig. ②(c)	<b>BP2ES, BP-2E</b> <b>BP4ES,-11</b> <b>BP5ES,-11,-13</b> <b>BP6ES,-11</b> <b>BP7ES,-11</b> <b>BP8ES</b> <b>BP9ES</b>	<b>BP5ESZ</b> <b>BP6ESZ</b>	<b>BPR2ES, BPR-2E</b> <b>BPR4ES,-11,-13</b> <b>BPR5ES,-11,-13</b> <b>BPR6ES,-5,-11</b> <b>BPR7ES,-11</b> <b>BPR8ES,-6</b> <b>BPR9ES</b>
					Fig. ③(e)		<b>BPR6EKN</b> <b>BPR7EKN</b>	
					Fig. ②(f)	<b>BP4EY,-11</b> <b>BP5EY,-11</b> <b>BP6EY,-11</b> <b>BP7EY</b>		<b>BPR4EY,-11</b> <b>BPR5EY,-11</b> <b>BPR6EY,-11</b> <b>BPR7EY-11</b>
					Fig. ②(j)	<b>BP5E</b> <b>BP6E</b>		<b>BPR4E,-11</b> <b>BPR5E,-11</b> <b>BPR6E,-11</b> <b>BPR7E</b>
					Fig. ④(g)	<b>BP5ET,-10</b> <b>BP6ET</b> <b>BP7ET</b>		
					Fig. ⑤(i)			<b>BPR5EJ</b>
$\varnothing$ 14mm $\times$ 19.0mm Hex 16.0mm Fig. ⑥(c)	<b>BCP4ES,-11</b> <b>BCP5ES,-11</b> <b>BCP6ES,-11</b> <b>BCP7ES,-11</b>		<b>BCPR5ES,-11</b> <b>BCPR6ES,-11</b> <b>BCPR7ES,-11</b> <b>BCPR9ES-11</b>					
					Fig. ⑧(g)	<b>BCP5ET</b> <b>BCP6ET</b> <b>BCP7ET</b>	<b>BCPR5ET</b> <b>BCPR6ET</b> <b>BCPR7ET</b>	
					Fig. ⑥(a)	<b>BC6ES</b>	<b>BCR8ES</b>	
					Fig. ⑦(c)	<b>BK5ES</b>	<b>BK5ESZ</b>	<b>BKR4ES-11</b> <b>BKR5ES,-11</b> <b>BKR6ES,-11</b> <b>BKR7ES-11</b>




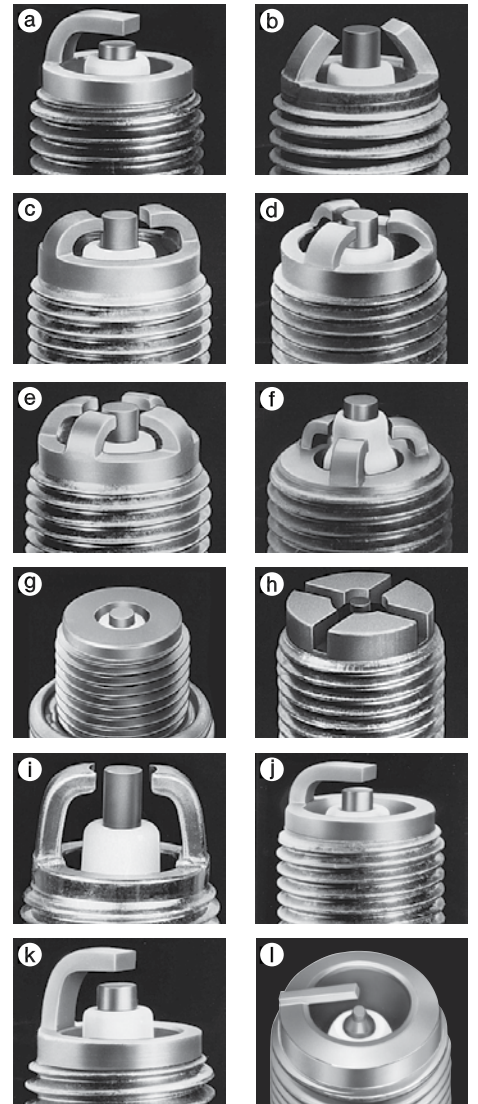
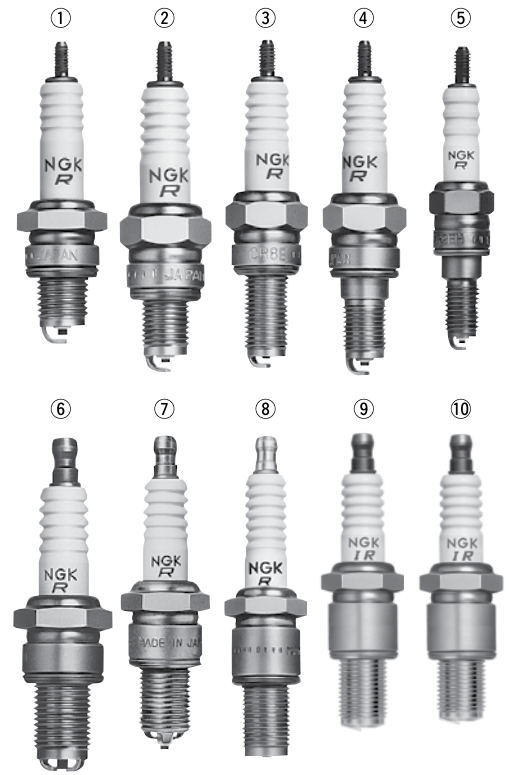
	NON-RESISTOR NON-RÉSISTANCE ICKERESISTOR	OHNE WIDERSTAND NO-RESISTOR	RESISTOR RÉSISTANCE RESISTOR	MIT WIDERSTAND RESISTOR
$\varnothing$ 14mm $\times$ 19.0mm Hex 16.0mm Fig. ①③			<b>BCPR4EY,-11</b> <b>BCPR5EY,-11</b> <b>BCPR6EY,-11,-N-11</b> <b>BCPR7EY,-11,-N-11</b>	
	Fig. ②③ ISO		<b>BKR4EY,-11</b> <b>BKR5EY,-11</b> <b>BKR5EYA,-11</b> <b>BKR6EY,-11</b> <b>BKR6EYA,-11</b> <b>BKR7EY</b>	
	Fig. ①④	<b>BCP5E</b> <b>BCP6E,-11</b> <b>BCP7E,-11</b>	<b>BCPR5E,-11</b> <b>BCPR6E,-11</b> <b>BCPR7E,-11</b>	
	Fig. ②④ ISO	<b>BK5E,-11</b> <b>BK6E,-11</b>	<b>BKR4E,-11</b> <b>BKR5E,-11,-N,-N-11</b> <b>BKR5EZ</b> <b>BKR6E,-11-E,-N,-N-11</b> <b>BKR6EZ</b> <b>BKR7E,-11,-N-11</b> <b>BKR8E,-11</b> <b>FR6F-11DK</b> <b>FR6F-11K</b>	
	Fig. ⑥⑦ ISO		<b>BKR5EK</b> <b>BKR6EK</b>	
$\varnothing$ 14mm $\times$ 26.5mm Hex 16.0mm Fig. ⑧④			<b>BKR5EKB-11</b> <b>BKR6EKB-11</b>	
	Fig. ⑥⑨ ISO		<b>BKR5EKC</b> <b>BKR6EKC,-N-11</b> <b>BKR6EKE</b> <b>BKR7EKC,-N,-N-11</b>	
$\varnothing$ 14mm $\times$ 11.2mm Conical seat Hex 16.0mm Fig. ③①		<b>B7FS</b>	<b>BR5FS</b> <b>BR6FS,-15</b>	
	Fig. ③②	<b>BP4FS</b> <b>BP5FS</b> <b>BP6FS</b> <b>BP7FS</b>	<b>BPR4FS,-11,-15</b> <b>BPR5FS,-11,-15</b> <b>BPR6FS</b>	
	Fig. ③④	<b>BP5F</b> <b>BP6F</b>		
$\varnothing$ 14mm $\times$ 17.5mm Conical seat Hex 16.0mm Fig. ④①		<b>B8EFS</b> <b>B9EFS</b>	<b>BR7EFS</b>	
	Fig. ④⑤		<b>BR6EF</b> <b>BR7EF</b>	
	Fig. ④②	<b>BP5EFS,-13</b> <b>BP6EFS,-13</b> <b>BP7EFS</b>	<b>BPR5EFS,-13</b> <b>BPR6EFS,-13,-15</b> <b>BPR7EFS-15</b>	
	Fig. ④④	<b>BP6EF</b>	<b>BPR6EF,-11,-13</b>	
$\varnothing$ 14mm $\times$ 25.0mm Conical seat Hex 16.0mm Fig. ⑦②			<b>TR5A-13</b> <b>TR5B-13</b> <b>TR6B-10</b>	
	Fig. ⑤①	<b>B-4L</b> <b>B-6L</b> <b>B6LY</b> (Fig. ⑤⑤)		




	NON-RESISTOR NON-RÉSISTANCE ICKERESISTOR	OHNE WIDERSTAND NO-RESISTOR	RESISTOR RÉSISTANCE RESISTOR	MIT WIDERSTAND RESISTOR	
$\varnothing$ 14mm $\times$ 12.7mm Hex 20.8mm Fig. ①(a)	<b>B-2H</b> <b>B-4H,-10</b> <b>B5HS</b> <b>B6HS,-10</b> <b>B7HS,-10</b> <b>B8HS,-10</b> <b>B9HS</b> <b>B10HS</b>		<b>BR4HS</b> <b>BR5HS</b> <b>BR6HS,-10</b> <b>BR7HS,-10</b> <b>BR8HS,-10</b> <b>BR9HS,-10</b> <b>BZ7HS-10</b>		
	Fig. ①(b)	<b>BP2HS</b> <b>BP4HS,-10</b> <b>BP5HS,-10</b> <b>BP6HS,-10</b> <b>BP7HS,-10</b> <b>BP8HS,-10,-15</b>	<b>BP-2H</b> <b>BP-4H</b>  <b>BP6H</b> <b>BP7H</b>	<b>BPR2HS</b> <b>BPR4HS,-10</b> <b>BPR5HS</b> <b>BPR6HS,-10</b> <b>BPR7HS,-10</b> <b>BPR8HS,-10</b>	<b>BPR4HSA</b> <b>BPR-4H</b>  <b>BP28H-N-10</b> <b>BP28HS-10,-15</b>
	Fig. ①(c)	<b>BP4HA</b>			
	Fig. ①(e)	<b>B6HSA</b> <b>B8HSA</b>		<b>BR4HSA</b> <b>BR6HSA,-9</b> <b>BR8HSA,-9</b>	
$\varnothing$ 18mm $\times$ 12.0mm Hex 20.8mm Fig. ⑤(f)	<b>AB-2</b> <b>AB-6</b> <b>AB-7</b> <b>AB-8</b>				
$\varnothing$ 18mm $\times$ 16.0mm Hex 25.4mm			<b>R8102B-10</b>		
$\varnothing$ 12mm $\times$ 19.0mm Hex 18.0mm Fig. ⑥(h)	<b>D6EA</b> <b>D7EA</b> <b>D8EA</b> <b>D9EA</b> <b>D10EA</b>		<b>DR7EA</b> <b>DR7EB</b> <b>DR8EA</b> <b>DR8EB</b> <b>DR9EA</b>		
	Fig. ⑥(i)	<b>DP6EA-9</b> <b>DP7EA-9</b> <b>DP8EA-9</b> <b>DP9EA-9</b>	<b>DPR5EA-9</b> <b>DPR6EA-9</b> <b>DPR6EB-9</b> <b>DPR7EA-9</b> <b>DPR8EA-9</b> <b>DPR9EA-9</b>		
	Fig. ⑥(h)	<b>J9A</b>	<b>JR8B</b> <b>JR9B</b> <b>JR10B</b>		
	Fig. ⑥(k)		<b>JR8C</b> <b>JR9C</b>		
$\varnothing$ 12mm $\times$ 21.0mm Hex 18.0mm Fig. ⑦(j)	<b>DP8Z</b>		<b>DPR7Z</b> <b>DPR8Z</b> <b>DPR9Z</b>		
$\varnothing$ 12mm $\times$ 19.0mm Hex 16.0mm Fig. ⑧(i)	<b>DCP6E</b> <b>DCP7E</b>		<b>DCPR6E</b> <b>DCPR7E,-N</b> <b>DCPR8E,-N</b> <b>DCPR9E</b>	<b>KR6A-10</b> <b>KR8C-G</b> <b>KR9C-G</b>	
	Fig. ⑧(m)			<b>DCPR8EKC</b>	
$\varnothing$ 12mm $\times$ 20.5mm Hex 16.0mm			<b>KER7A-8DEG</b>		
$\varnothing$ 12mm $\times$ 26.5mm Hex 16.0mm Fig. ⑧(b)			<b>LKR6C</b> <b>LKR6E</b> <b>LKR6F-10</b> <b>LKR7E</b>		
$\varnothing$ 12mm $\times$ 25.0mm Hex 14.0mm			<b>LNAR7A-9G</b>		
$\varnothing$ 12mm $\times$ 26.5mm Hex 14.0mm Fig. ⑧(b)			<b>LZKAR6C-9</b> <b>LZKAR7D-9,-9D</b> <b>LKAR8A-9,-9S</b>		



	NON-RESISTOR NON-RÉSISTANCE ICKERESISTOR	OHNE WIDERSTAND NO-RESISTOR	RESISTOR RÉSISTANCE RESISTOR	MIT WIDERSTAND RESISTOR
$\varnothing$ 12mm x 12.7mm Hex 18.0mm Fig. ①a	<b>D6HA</b> <b>D8HA</b>		<b>DR4HS</b> <b>DR5HS</b> <b>DR6HS</b> <b>DR8HS</b>	
$\varnothing$ 10mm x 12.7mm Hex 16.0mm Fig. ②a	<b>C2H</b> <b>C5HSA</b> <b>C6HSA</b> <b>C7HSA</b> <b>C8HSA</b>	<b>C4HSB</b> <b>C5HSB</b>	<b>CR4HSA</b> <b>CR4HSB</b> <b>LR4C-E</b> <b>CR5HSA</b> <b>CR5HSB</b> <b>CR6HSA</b> <b>LR6E</b> <b>CR7HSA</b> <b>LR7D</b> <b>CR8HSA</b> <b>CMR8H</b> <b>LR8A</b> <b>LR8B</b>	
$\varnothing$ 10mm x 19.0mm Hex 16.0mm Fig. ③j	<b>C7E</b> <b>C8E</b> <b>C9E</b>		<b>CR6E</b> <b>CR6EB</b> <b>CR7E</b> <b>CR7EB</b> <b>CR8E</b> <b>CR8EB</b> <b>CR9E</b> <b>CR9EB</b> <b>CR10E</b>	
Fig. ③k			<b>CPR6EA-9S</b> <b>CPR7EA-9</b> <b>CPR8E</b>	
$\varnothing$ 10mm x 19.0mm Hex 16.0mm Fig. ④a	<b>C8EH-9</b> <b>C9EH-9</b>		<b>CR5EH-9</b> <b>MR7C-9N</b> <b>MR7E-9</b> <b>MR7F</b> <b>CR8EH-9</b> <b>MR8C-9N</b> <b>MR8D-9</b> <b>MR8E-9</b> <b>MR8F</b> <b>CR9EH-9</b> <b>MR9C-9N</b>	
$\varnothing$ 10mm x 19.0mm Hex 16.0mm Fig. ③b			<b>CR7EK</b> <b>CR7EKB</b> <b>CR8EK</b> <b>CR8EKB</b> <b>CR9EK</b> <b>CR9EKB</b> <b>CR10EK</b>	
Fig. ③i			<b>CR7EKC</b>	
$\varnothing$ 10mm x 19.0mm Hex 14.0mm Fig. ⑥			<b>MAR9A-J</b> <b>MAR8B-JDS</b> <b>MAR9B-JDS</b> <b>MAR10A-J</b>	
$\varnothing$ 10mm x 26.5mm Hex 14.0mm Fig. ⑦			<b>LMAR6A-9</b> <b>LMAR6C-9</b> <b>LMAR7A-9</b> <b>LMAR7H-9DS</b> <b>LMAR8A-7,9,9S</b> <b>LMAR8F-9</b> <b>LMAR8G</b>	
Fig. ⑥			<b>LMAR9D-J</b>	
$\varnothing$ 8mm x 19.0mm Hex 13.0mm Fig. ⑤a			<b>ER8EH, -N</b> <b>ER9EH, -N, -6N</b> <b>ER10EH</b>	




**FOR ROTARY ENGINE**  
**FÜR WANKELMOTOR** **POUR MOTEUR ROTATIF**  
**PARA MOTOR ROTATIVO** **TÄNDSTIFT FÜR WANKELMOTORER**

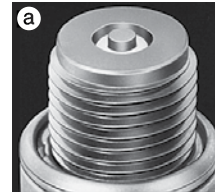
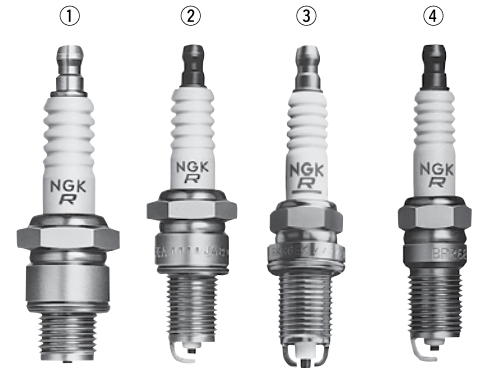
	NON-RESISTOR NON-RÉSISTANCE ICKERESISTOR	OHNE WIDERSTAND NO-RESISTOR	RESISTOR RÉSISTANCE RESISTOR	MIT WIDERSTAND RESISTOR
$\varnothing$ 14mm x 19.5mm Hex 20.8mm Fig. ⑥c	<b>B7EM</b>		<b>BR8EM</b>	
Fig. ⑥d			<b>BR7ET</b> <b>BR8ET</b> <b>BR9ET</b> <b>BR10ET</b>	
Fig. ⑥e			<b>BR8EQ,-14</b> <b>BR9EQ,-14</b>	
$\varnothing$ 14mm x 21.5mm Hex 20.8mm Fig. ⑧g			<b>SD10A</b> <b>SD11A</b>	
Fig. ⑧h			<b>BUR6EQ</b> <b>BUR7EQ</b> <b>BUR7EQP</b> <b>BUR8EQ</b> <b>BUR9EQ</b> <b>BUR9EQP</b>	
$\varnothing$ 14mm x 21.0mm Hex 20.8mm Fig. ⑨			<b>RE6C-L</b> <b>RE7C-L</b> <b>RE8C-L</b>	
$\varnothing$ 14mm x 19.0mm Hex 20.8mm Fig. ⑩①			<b>RE9B-T</b>	



## SEMI SURFACE DISCHARGE TYPES AND SUPPLEMENTARY GAP TYPE

HALBGLEITFUNKENTYPEN UND ZUSÄTZLICHER ABSTANDSTYP  
 TYPE À DÉCHARGE SEMI-SURFACIQUE ET TYPE À ÉCARTEMENT SUPPLÉMENTAIRE  
 TIPO DE DESCARGA DE MEDIA SUPERFICIE Y TIPO DE GALGA SUPLEMENTARIA  
 STIFT MED SEMI-YTGNISTGAP OCH STIFT AV SUPPLEMENTÄR TYP

	NON-RESISTOR OHNE WIDERSTAND NON-RÉSISTANCE NO-RESISTOR ICKERESISTOR	RESISTOR MIT WIDERSTAND RÉSISTANCE RESISTOR RESISTOR
φ 14mm × 12.7mm Hex 20.8mm Fig. ①a	<b>BU8H</b>	<b>BUZ8H</b>
φ 14mm × 19.0mm Hex 20.8mm Fig. ②b		<b>BUR5EA-11</b> <b>BUR6EA-11</b> <b>BUR7EA-11</b>
φ 14mm × 19.0mm Hex 20.8mm Fig. ②c		<b>BUR4EB-11</b> <b>BUR5EB-11</b> <b>BUR6EB-11</b> <b>BUR7EB-11</b>
Fig. ②d		<b>BUR5ET,-10</b> <b>BUR6ET</b>
φ 14mm × 19.0mm Hex 20.8mm Fig. ③e		<b>BPR6EK-A</b>
Fig. ③f		<b>BPR5EKU</b>
φ 14mm × 17.5mm Conical seat Hex 16.0mm Fig. ④g	<b>BU6EFSZ</b>	<b>BUR6EFSZ</b>
φ 14mm × 19.0mm Hex 16.0mm Fig. ⑥e ISO		<b>BKUR6EK,-9</b> <b>BKUR7EK</b>
Fig. ⑤d ISO		<b>BKUR5ET,-10</b> <b>BKUR5ETZ-10</b> <b>BKUR6ET,-10</b> <b>BKUR6ETB</b> <b>BKUR7ET</b>
Fig. ⑥f ISO	<b>BK7EKU</b>	<b>BKR5EKU</b> <b>BKR6EKU</b> <b>BKR7EKU</b>
Fig. ⑥h ISO		<b>BKR6EKUE</b>
φ 14mm × 22.0mm Hex 16.0mm Fig. ⑦i		<b>BKR5EKUC</b> <b>BKR6EKUC</b>
φ 14mm × 19.0mm Hex 16.0mm Fig. ⑥j		<b>BKR6EQUA</b>




## PROJECTED GAP TYPES

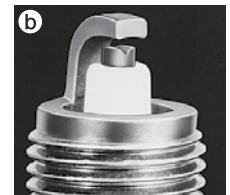
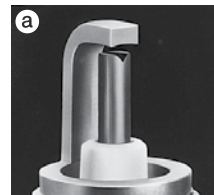
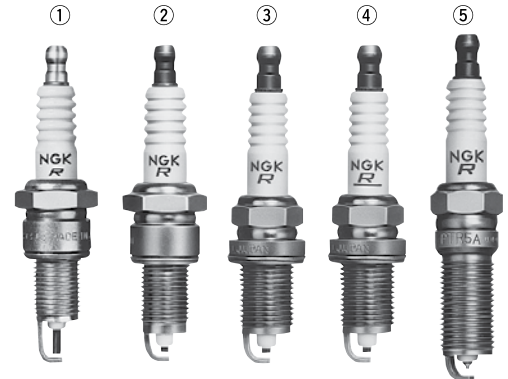
ZÜNDKERZEN MIT VORSRINGENDER FUNKENSTRECKE

TYPE À ÉCARTEMENT EN SAILLIE

TIPOS DE ABERTURA DE CHISPA PROYECTADA

STIFT MED FÖRLÅNGDA ELEKTRODER

	NON-RESISTOR NON-RÉSISTANCE ICKERESISTOR	OHNE WIDERSTAND NO-RESISTOR	RESISTOR RÉSISTANCE RESISTOR	MIT WIDERSTAND RESISTOR
φ 14mm × 19.0mm Hex 20.8mm Fig. ①(a)	<b>BE529Y-11</b>		<b>BRE527Y-11</b> <b>BRE529Y,-11</b>	
	Fig. ②(b)		<b>ZGR4A</b> <b>ZGR5A</b>	
φ 14mm × 20.5mm Hex 20.8mm Fig. ②(b)			<b>ZGR5B,-11</b> <b>ZGR6B-11</b>	
φ 14mm × 22.0mm Hex 20.8mm Fig. ②(c)			<b>ZGR5C</b>	
φ 14mm × 19.0mm Hex 16.0mm Fig. ③(b)	<b>ZF6A-11</b>		<b>ZFR5A-11</b> <b>ZFR6A-11</b>	
	Fig. ④(b) ISO		<b>ZFR4F-11</b> <b>ZFR5F,-11</b> <b>ZFR6F-11,G</b> <b>ZFR7F-11</b>	<b>ZFR5J-11</b> <b>ZFR6J-11</b> <b>ZFR7J-11</b>
	Fig. ③(a)		<b>BCRE527Y</b>	
φ 14mm × 20.5mm Hex 16.0mm			<b>ZFR6K-9E,-11S</b>	
	Fig. ③(e)		<b>ZFR5G</b> <b>ZFR6G</b>	
φ 14mm × 22.5mm Hex 16.0mm Fig. ③(c)			<b>ZFR4E-11</b> <b>ZFR5E-11</b> <b>ZFR6E-11</b>	
	Fig. ③(d)		<b>ZFR5D-11</b>	
φ 14mm × 25.0mm Conical seat Hex 16.0mm Fig. ⑤(b)			<b>LZTR4A-11</b> <b>LZTR5A-13</b>	
φ 12mm × 19.0mm Hex 16.0mm			<b>ZKR7A-10</b>	
φ 12mm × 21.5mm Hex 16.0mm			<b>ZKER6A-10DEG,-10EG</b>	
φ 12mm × 26.5mm Hex 16.0mm			<b>LZKR6B-10E</b>	
φ 12mm × 26.5mm Hex 14.0mm			<b>LZKAR6C-11</b>	
φ 12mm × 26.3mm Bi-Hex 14.0mm			<b>ZKBR7A-HTU</b>	



## SLANT GROUND ELECTRODE TYPE

SCHRÄGER MASSENELEKTRODENTYP

TYPE À ÉLECTRODE DE MASSE À INCLINAISON


TIPO DE ELECTRODO DE MASA INCLINADO

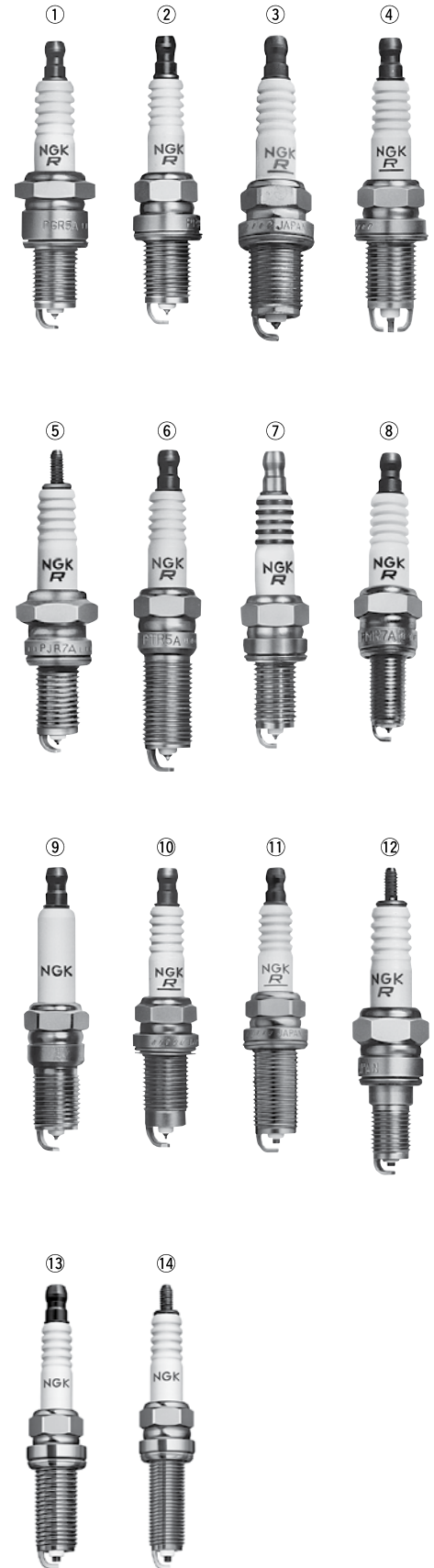
STIFT MED VINKLAD SIDOELEKTROD


φ 14mm × 12.7mm Hex 20.8mm Fig. ⑥(f)	<b>B7HCS</b> <b>B8HCS</b> <b>B9HCS</b>	<b>BR8HCS-10</b>
φ 14mm × 19.0mm Hex 20.8mm Fig. ⑦(f)	<b>B7ECS</b> <b>B8ECS</b> <b>B9ECS</b>	<b>BR8ECS</b> <b>BR9ECS</b> <b>BR10ECS</b>
	Fig. ⑧(f)	<b>BR8ECM</b> <b>BR9ECM</b> <b>BR10ECM</b>

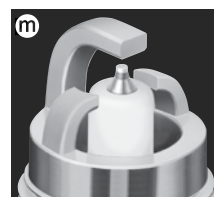
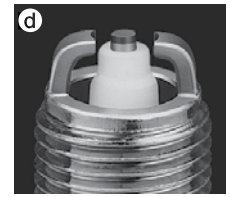
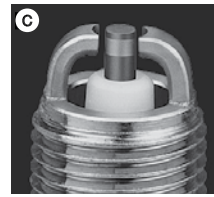


**PLATINUM, IRIIDIUM TIPPED TYPES**  
**TYPEN MIT PLATINELEKTRODENSPITZE, IRIIDIUMSPITZE**  
**TYPE[S] A EXTREMITE EN PLATINE, IRIIDIUM**  
**TIPOS CON PUNTA DE PLATINO, IRIIDIUM**  
**STIFT MED MITTELEKTRODANDA AV PLATINA OCH IRIIDIUM**


	RESISTOR RÉSISTANCE RESISTOR	MIT WIDERSTAND RESISTOR
φ 14mm × 19.0mm Hex 20.8mm Fig.①①	<b>PGR5A,-11 PGR5C-11 BPR5EP-11,-13</b> <b>PGR6A,-11 PGR6C-11 BPR6EP-8</b> <b>PGR7A</b> <b>125CX 126CX</b> <b>IGR7A</b>	
φ 14mm × 19.0mm Hex 20.8mm Fig.①①h	<b>IGR5C13</b> <b>GR7CI-8</b>	
φ 14mm × 19.0mm Hex 16.0mm Fig.②a	<b>PFR5A-11 PFR5K-11 BCPR5EP-8,-11,-13</b> <b>PFR6A-11 PFR6H-10 PFR6K-11 BCPR6EP-8,N-8,-11,-N-11,-13</b> <b>PFR7A-11 PFR7H-10</b>	
Fig.③h ISO	<b>FR4AP-10,-11 FR4BP-11</b> <b>FR5AP-10,-11 FR5BP-11 FR5AP-11E</b> <b>FR6AP-10,-11 FR6BP-11</b> <b>FR7AP-11</b> <b>115CX 116CX 136CX</b> <b>FR5EI-13</b> <b>PFR5B-9,-11,-11B PFR5C-11</b> <b>PFR6B,-9,-11,-11B,-11C PFR6E-10</b> <b>PFR7B,-9,-11</b> <b>PFR8B,-9</b> <b>PFR4G-11 PFR5J-11</b> <b>PFR5G-11,-13E PFR6J,-11</b> <b>PFR6G,-9,-11,-13,-13E PFR6H-10 PFR6J,-11</b> <b>PFR7G,-9,-11 PFR7S11EG</b> <b>PFR5L-11 PFR5N-11,8DS PFR5P-11</b> <b>PFR6L-11,-13 PFR6N-11 PFR6P-11 PFR6Q</b> <b>PFR7N-D PFR7Q</b> <b>PFR5R-11</b> <b>BKR5EP-11</b> <b>BKR6EP-8,-11,-13,-N-8</b>	
Fig.④c ISO	<b>BKR6EKPA</b>	
Fig.④d ISO	<b>BKR5EKUP</b>	
Fig.④e ISO	<b>BKR5EKPB-11,-13</b> <b>BKR6EKPB-11</b>	
Fig.④j ISO	<b>BKR5EQUPA</b> <b>BKR6EQUP BKR6EQUPA</b>	
Fig.③f ISO	<b>PFR6M PFR6X-11</b> <b>PFR7M PFR7S8EG</b>	
Fig.③g ISO	<b>PZFR5B PZFR5F,-11 IZFR5B IZFR5F11 IZFR5G IZFR5L11</b> <b>PZFR6B PZFR6F,-11 IZFR6B IZFR6F11 SIFR6B7G</b> <b>T6728R T6728U-G035</b>	
Fig.③h ISO	<b>IFR5A11,-8N IFR5D10 IFR5E11</b> <b>IFR6A11 IFR6C IFR6D10 IFR6E11 IFR6AD7DG IFR6AE11S</b> <b>IFR7F-D IFR7B4D</b> <b>IFR8AF4D IFR8AG8</b> <b>IFR5G11 IFR5J11 IFR5N10 IFR5T-8N,11</b> <b>IFR6J11 IFR6S IFR6T11 IFR7X7G</b>	
Fig.③	<b>PZFR6H IZFR6J IZFR6N-E IZFR6Q</b>	
Fig.③m	<b>PFR6W-TG</b>	
Fig.③n	<b>DIFR5E11</b> <b>DF6A-13B DIFR6D11D DIFR6D13</b> <b>ZFR5LP-13G IZFER7A4D</b> <b>11G-55</b>	
φ 14mm × 21.5mm Hex 16.0mm	<b>PZFR6R,8EG</b>	
φ 14mm × 22.0mm Hex 16.0mm Fig.⑩k ISO	<b>PZFR5C PZFR5D-11</b> <b>IZFR5C</b> <b>IZFR7E-D</b>	
φ 14mm × 22.5mm Hex 16.0mm	<b>135CX</b>	
φ 14mm × 25.0mm conical seat Hex 16.0mm Fig.⑥h	<b>PTR5A-13</b> <b>ILTR5D</b>	

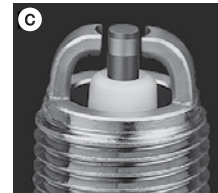


	RESISTOR MIT WIDERSTAND RÉSISTANCE RESISTOR RESISTOR
φ 14mm × 17.5mm conical seat Hex 16.0mm Fig. ⑨①	<b>PTR4B-15 PTR5C-13</b> <b>ITR4A15</b> <b>ITR6F13</b>
φ 14mm × 17.5mm conical seat Hex 16.0mm Fig. ③⑧ Fig. ⑨⑨	<b>ITR5H13 PTR5D-10,-13 TR5AI-13 TR5AP-13</b> <b>ITR6G9 PTR6D-13,-13G</b> <b>ITR7J9D</b> <b>PZTR5A-15</b>
φ 14mm × 20.5mm Hex 16.0mm Fig. ③⑫	<b>IZFR6K11,11E,13</b> <b>IZFR6K-11S,IZFR6K11NS PZFR7G-G</b>
φ 14mm × 21.5mm Hex 16.0mm Fig. ⑭	<b>PZFR5N-11T</b>
φ 14mm × 22.0mm Hex 16.0mm Fig.	<b>PZFR6J-11</b>
φ 14mm × 26.5mm Hex 16.0mm Fig. ⑪	PLFR4A-11 PLFR5A-9,-11 ILFR5T11 ILFR5B11 DILFR5A11 DILFR5C11 DILFR5E11 DF5B-8A DILFR5L11 ILZFR5E8D LZFR5CI-11 PLFR6A-9,-11 ILFR6T11 ILFR6K8 ILFR6G,-E SILFR6A11 DILFR6D11D DILFR6L11 PLFR7A-9 DILFR7K9G ILFER7A8EG SILZFR7A9G PLZFR6A-11S ILZFR6A11 DILFR7B10G 155CX 156CX
φ 14mm × 28.0mm Hex 16.0mm Fig. ⑪	<b>LZFR5BI-11 LZFR5DI-11</b> <b>LZFR6AI</b>
φ 14mm × 29.5mm Hex 16.0mm Fig. ⑪①	<b>LZFR5AQP</b>
φ 14mm × 25.0mm conical seat Hex 16.0mm	PLZTR4A-13 PLZTR5A-13 ILTR5A-13G ILTR5P11D LTR5BI-13 LTR6AP-11 ILTR6A-8G,-13G ILTR6J13 ILTR6M9G LTR6AI-8 LTR6BI-13 LTR6BI-9 LTR6DI-8 LTR6DP13 ILTR7E9D ILTR7J8 ILTR7N8 ILTR7Q9 LTR7CP13
φ 12mm × 19.0mm Hex 18.0mm Fig. ⑤⑧	<b>PJR6A</b> <b>PJR7A IJR7A9</b> <b>PJR8A</b>
φ 12mm × 19.0mm Hex 16.0mm	<b>IKR6G8</b> <b>IKR7H8</b> <b>IZKR8C10D SIKR8B7G</b> <b>IKR9H8 IKR9J8</b> <b>147CX</b>
φ 12mm × 19.0mm Hex 16.0mm Fig. ⑦①	<b>PKR7A</b> <b>PKR9B</b> <b>KR7AI</b> <b>KR8AI</b> <b>KR9CI</b> <b>IKR6G11</b> <b>IKR9F8</b>
φ 12mm × 19.0mm Hex 16.0mm Fig. ⑦②	<b>DCPR8EKP</b>
φ 12mm × 20.5mm Hex 16.0mm	<b>IKER7A8EGS ZKR7BI-10 PKER7A8EGS PKER7A8DES</b>
φ 12mm × 21.5mm Hex 16.0mm	<b>PZKER7B8EGS</b>
φ 12mm × 22.0mm Hex 16.0mm	<b>IZKR7A</b>
φ 12mm × 26.5mm Hex 16.0mm	ILKR6F11 ILZKR6F11 SILKR6C10E SILKR6D10G ILKR7D8 ILKR7J8 ILKR7K8 ILKR7L8G ILZKR7D8 ILZKR7E10DG LKR7F1-8 SILKR7C8DE SILZKR7E11 SILZKR7E8EG SILZKR7E9 SILZKR7E9G SILZKR7G8DE ILKR8M5D ILKR8P8 SILZKR8E8D SILZKR8E8G ILKR9G8 ILKR9H8 HKS-G40XL
Fig. ⑩	<b>DILKR7E11</b>
Fig.	
φ 12mm × 28.0mm Hex 16.0mm	<b>DILZKR7B11G ILZKR7G7G</b>
φ 12mm × 29.0mm Hex 16.0mm	<b>SILZKKER8A8E</b>
φ 12mm × 25.0mm Hex 14.0mm	<b>SILZNAR6D9</b> <b>SILNAR7B7 SILNAR7C7DG</b> <b>ILNAR8B7G ILZNAR8B7G SILNAR8A7</b>
φ 12mm × 26.5mm Hex 14.0mm	ILKAR7L11 ILKAR7L11D ILKAR7M10 ILZKAR7D11 LKAR7CI-8 ILKAR8H6 LKAR8CI-8 SILKAR8C6DG SILKAR8C6DS SILKAR8D6 SILKAR8E4DG SILKAR8F8 SILZKAR8D4D SILZKFR8B7S SILZNAR8C7H HKS-M50HL
Fig. ⑬④	<b>LKAR8AP7JD LKAR8AP7JDS</b>
Fig. ⑬⑤	<b>DILKAR7B8 DILKAR7G11DS DILKAR7H11GS DILKAR7M8 DILZKAR7B11</b> <b>DILKAR8J9G DILKAR8K8D DILKAR8L8D</b>
Fig. ⑬	






	RESISTOR MIT WIDERSTAND RÉSISTANCE RESISTOR RESISTOR
φ 12mm × 27.0mm Hex 14.0mm	<b>SILZKFR8C7S SILZKFR8D7S</b>
φ 12mm × 27.5mm Hex 14.0mm	<b>SILZKFR8E7S</b>
φ 12mm × 28.0mm Hex 14.0mm Fig. (k)	<b>DILZKAR7C11S ILZKAR7E11S ILZKAR8F8S ILZKAR8G8 ILZKAR8H8S ILZKAR8J8SY ILZKAR8A7G SILZKAR8F7S</b>
φ 12mm × 28.5mm Hex 14.0mm Fig. (n)	<b>DILKA7E9HS</b>
φ 10mm × 19.0mm Hex 16.0mm Fig. (8) ①	<b>CR9EBI-9</b>
Fig. (8)	<b>MR8CI-8 SIMR7B9DS</b>
Fig. (8) (c)	<b>MR8BI-8</b>
φ 10mm × 19.0mm Hex 16.0mm Fig. (12)	
φ 10mm × 22.0mm Hex 16.0mm	<b>MR8BP8HJS</b>
φ 10mm × 26.5mm Hex 14.0mm Fig. (14)	<b>ILMAR7B8 LMAR7CI-8 SILMAR7D9DS ILMAR8C9D LMAR8AI-8E LMAR8BI-9 SILMAR8C9 SILMFR8A8G SILMAR9B9</b>
φ 10mm × 26.5mm Hex 14.0mm Fig. (d)	<b>LMAR9AP8JS</b>
φ 12mm × 26.5mm Bi-Hex 14.0mm	<b>ILZKBR7B8DG PLZKBR7B8DG SILZKBR8B8HG SILKGR9A7EG</b>
φ 12mm × 27.5mm Bi-Hex 14.0mm	<b>SILZKBR8D8S SILZKBR8E8S SILZKGR8A8S SILZKGR8B8S</b>
φ 12mm × 28.0mm Bi-Hex 14.0mm	<b>SILZKG8D7E</b>
φ 12mm × 28.5mm Bi-Hex 14.0mm	<b>SILZKBR8F8S SILZKGR8C8S</b>

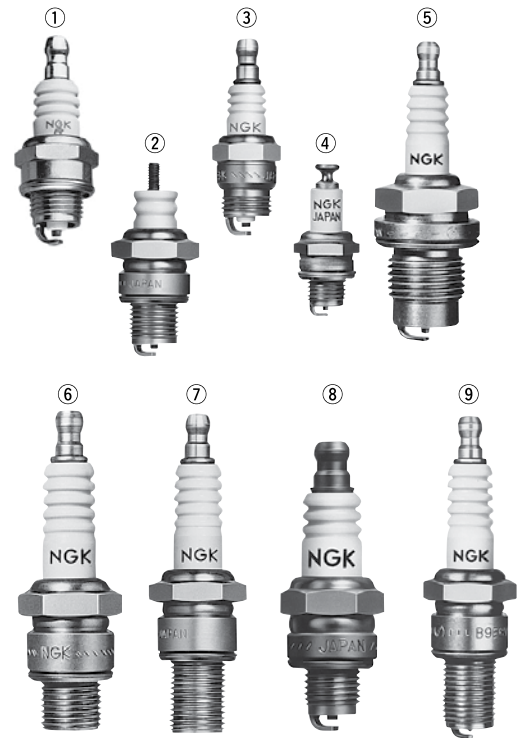


## COMPACT TYPES

KOMPAKT STIFT  
TIPOS COMPACTOS

TYPES COMPACTES  
KOMPACTE TYPEN

	NON-RESISTOR NON-RÉSISTANCE ICKERESISTOR	OHNE WIDERSTAND NO-RESISTOR	RESISTOR RÉSISTANCE RESISTOR	MIT WIDERSTAND RESISTOR
φ 18mm × 16mm Hex 25.4mm	<b>R8160B-10</b>			
φ 14mm × 9.5mm Hex 19.0mm Fig. ①a	<b>BM4A</b>	<b>B2-LM*</b> <b>B4-LM*</b>	<b>BMR2A,-10</b> <b>BMR4A</b> <b>BMR6A</b> <b>BMR7A</b>	<b>BR2-LM*</b> <b>BR4-LM*</b>  *Hex.20.8mm
	<b>BM6A</b> <b>BM7A</b>	<b>BM6*</b> <b>BM7*</b>	<b>BPM4A</b> <b>BPM6A,-10</b> <b>BPM7A</b>	<b>BPMPR4A,-10</b> <b>BPMPR6A,-10</b> <b>BPMPR7A,-9</b>
Fig. ①b				
φ 14mm × 12.7mm Hex 20.8mm Fig. ②a	<b>BL-6H</b>			
φ 14mm × 7.8mm Conical seat Hex 16.0mm Fig. ③a	<b>BM6F</b> <b>BM7F</b>	<b>BM6FY</b>	<b>BMR6F</b>	
	<b>BPM6F</b> <b>BPM7F</b>		<b>BPMPR6F</b>	
Fig. ③b				
φ 10mm × 8.6mm Hex 14.0mm Fig. ④a	<b>CM-6</b>			
φ 10mm × 9.5mm Hex 16.0mm Fig. ⑧a			<b>CMR6A</b> <b>CMR7A</b>	
φ 10mm × 12.7mm Hex 16.0mm Fig. ⑧e			<b>CMR5H</b> <b>CMR6H</b> <b>CMR7H</b>	
φ 14mm × 9.5mm Hex 19.0mm Fig. ①c	<b>BPM6Y</b> <b>BPM7Y</b> <b>BPM8Y</b>		<b>BPMPR6Y</b> <b>BPMPR7Y</b> <b>BPMPR8Y</b>	



## FARM EQUIPMENT TYPES

LANDMASCHINEN TYPEN  
TIPOS MÁQUINAS AGRICOLAS

TYPES MACHINES AGRICOLES  
FOR JORDBRUKS-MASKINER

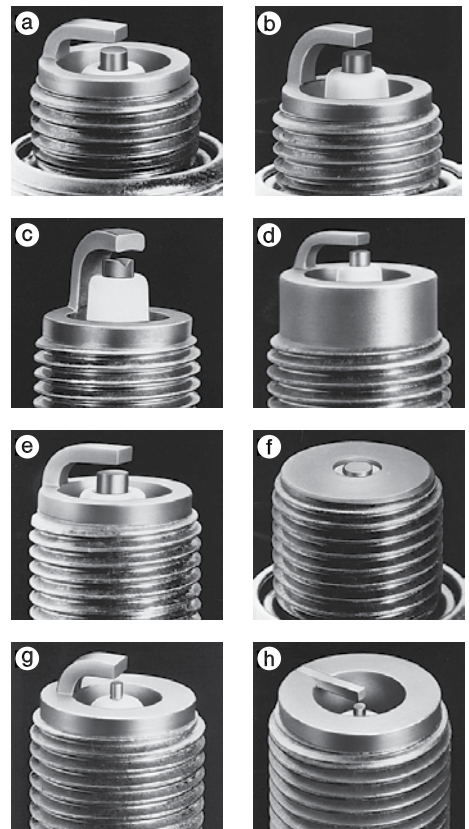
PF1/2" × 22.5mm Hex 23.8mm Fig. ⑤d	<b>G-27</b> <b>G-2Z</b>
--	----------------------------

## SURFACE DISCHARGE TYPES

GLEITFUNKENTYPEN  
TIPO DESCARGA EN SUPERFICIE

TYPE À DÉCHARGE SUPERFICIELLE  
TÅNDSTIFT MED YTGNIISTGAP


φ 14mm × 12.7mm Hex 20.8mm Fig. ⑥f	<b>BUHX(Series gap)</b> <b>BUHXW-1(Series gap)</b>	
	<b>BUH</b>	
	<b>BUHW</b> <b>BUHW-2</b>	<b>BUZHW</b> <b>BUZHW-2</b>
φ 14mm × 19.0mm Hex 20.8mm Fig. ⑦f	<b>BUE</b>	



## RACING TYPES

RENN-TYPEN  
TIPOS DE CARRERAS


TYPES COURS  
RACERSTIFT

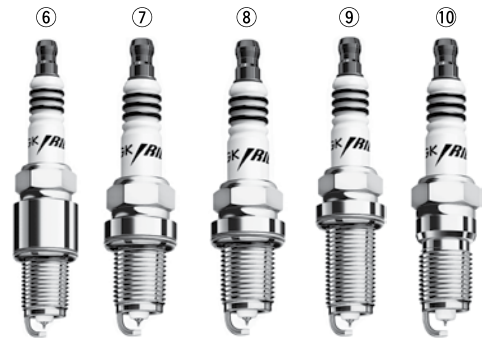
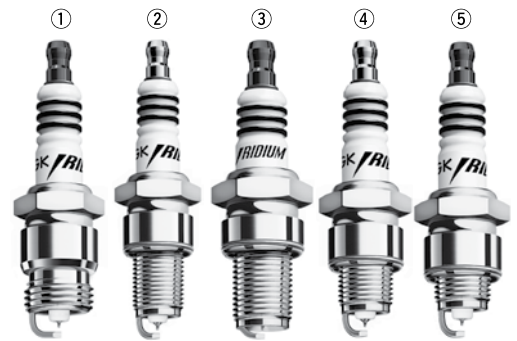
	Nickel electrode Nickel Elektrode Electrodo de nickel Electrodo de níquel Nickel elektrod	Precious metal electrode Elektrode mit sonde-redel metall Electrode en metal precieux Electrodo de metal precioso Ädelmetall elektrod	Platinum electrode Platinel Ektrode Electrodo de platine Electrodo de platino Platina elektrod
φ 14mm × 19.0mm Hex 20.8mm	<b>B8EG</b> Fig. ⑨g <b>BR8EG*</b>	<b>B8EGV</b> Fig. ⑨g <b>B85EGV</b> <b>B9EGV</b> <b>B95EGV</b> <b>B10EGV</b> <b>B105EGV</b> <b>B11EGV</b>	<b>B10EGP</b> Fig. ⑨h
	<b>B9EG</b> <b>B10EG</b> <b>B11EG</b>	<b>BR9EG*</b> <b>BR10EG*</b>	
*Resistor Type			



# IX TYPES


IX TYPEN TYPES IX  
TIPOS IX IX-STIFT

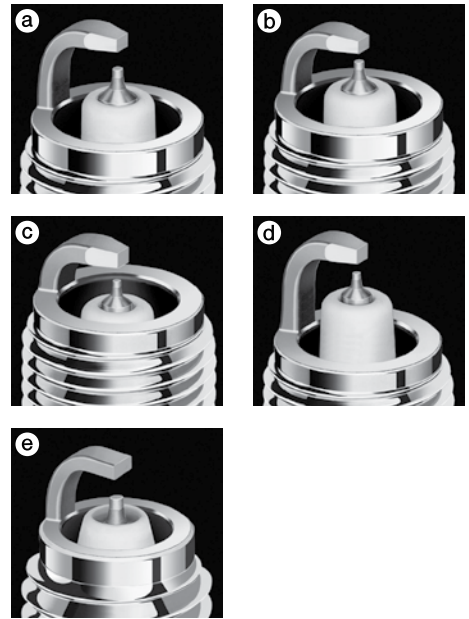
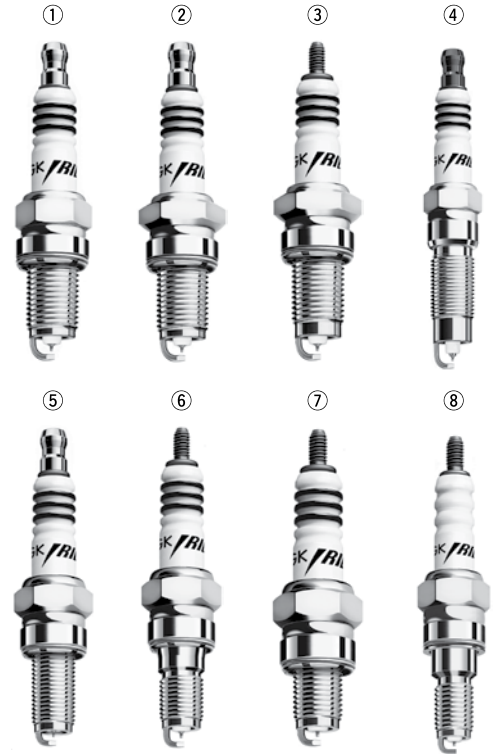
	RESISTOR RÉSISTANCE RESISTOR	MIT WIDERSTAND RESISTOR
φ 18mm × 10.9mm Hex 20.8mm Fig. ① a	<b>WR5IX</b>	
φ 14mm × 19.0mm Hex 20.8mm Fig. ② b	<b>GR4IX</b> <b>GR5IX</b>	
	<b>BPR5EIX</b> , -11 <b>BPR6EIX</b> , -11 <b>BPR7EIX</b> <b>BPR8EIX</b> <b>BPR9EIX</b> <b>BPR10EIX</b>	
	Fig. ② c	<b>BR7EIX</b> <b>BR8EIX</b> <b>BR9EIX</b> <b>BR10EIX</b>
	Fig. ② d	<b>BR8ECSIX</b> <b>BR9ECSIX</b> , -5
φ 14mm × 12.7mm Hex 20.8mm Fig. ④ b	<b>BR8ECMIX</b> <b>BR9ECMIX</b> <b>BR10ECMIX</b>	
	Fig. ④ c	<b>BPR6HIX</b> <b>BPR7HIX</b> <b>BPR8HIX</b>
φ 14mm × 9.5mm Hex 20.8mm Fig. ⑤ a	<b>BR6HIX</b> <b>BR7HIX</b> <b>BR8HIX</b> <b>BR9HIX</b> <b>BR10HIX</b>	
	<b>XR4IX</b> <b>XR5IX</b> <b>XR45IX</b>	
φ 14mm × 19.0mm Hex 16.0mm Fig. ⑥ b	<b>BCPR7EDIX</b>	
	Fig. ⑦ b	<b>BCPR5EIX</b> , -11 <b>BCPR6EIX</b> , -11 <b>BCPR7EIX</b> , -11
	Fig. ⑧ b	<b>BKR4EIX</b> <b>BKR5EIX</b> , -11 <b>BKR6EIX</b> , -11 <b>BKR7EIX</b> , -11 <b>BKR8EIX</b> <b>BKR9EIX</b>
Fig. ⑧ e	<b>ZFR5FIX</b> -11 <b>ZFR6FIX</b> -11	
φ 14mm × 26.5mm Hex 16.0mm Fig. ⑨ b	<b>LR5AIX</b> -11 <b>LR6AIX</b> -11 <b>LR7AIX</b>	
	<b>LKR6AIX</b> <b>LKR7AIX</b>	<b>LKR6AIX</b> -P <b>LKR6CIX</b>
φ 14mm × 17.5mm Conical seat Hex 16.0mm Fig. ⑩ b	<b>BPR6EFIX</b> -10, -15	
	Fig. ⑩ a	<b>TR4IX</b> <b>TR5IX</b> <b>TR6IX</b> <b>TR7IX</b> <b>TR8IX</b>
φ 14mm × 20.5mm Conical seat Hex 16.0mm Fig. ⑪ e	<b>TR55IX</b> <b>TR65IX</b> <b>TR75IX</b> <b>TR85IX</b>	<b>TR45-1IX</b> <b>TR55-1IX</b>
	<b>YR5IX</b> <b>YR55IX</b>	
φ 14mm × 11.2mm Conical seat Hex 16.0mm Fig. ⑫ c	<b>BR6FIX</b>	
	Fig. ⑫ a	<b>UR4IX</b> <b>UR5IX</b> <b>UR6IX</b>
φ 14mm × 25.0mm Conical seat Hex 16.0mm Fig. ⑬ b	<b>UR45IX</b> <b>UR55IX</b>	
	Fig. ⑬ e	<b>LTR5IX</b> -11 <b>LTR6IX</b> -11 <b>LTR7IX</b> -11
φ 14mm × 25.0mm Conical seat Hex 16.0mm Fig. ⑬ b	<b>LZTR4AIX</b> -11 <b>LZTR5AIX</b> -13 <b>LZTR6AIX</b> -13 <b>LZTR7AIX</b> -13	



# IX TYPES

IX TYPEN      TYPES IX  
TIPOS IX      IX-STIFT

	RESISTOR RÉSISTANCE RESISTOR	MIT WIDERSTAND RESISTOR	
$\varnothing$ 12mm $\times$ 19.0mm Hex 16.0mm Fig. ① a	<b>DCPR6EIX</b> <b>DCPR7EIX</b> <b>DCPR8EIX</b> <b>DCPR9EIX</b>		
	Fig. ① b	<b>DCR7EIX</b> <b>DCR8EIX</b> <b>DCR9EIX</b>	
$\varnothing$ 12mm $\times$ 19.0mm Hex 18.0mm Fig. ② a	<b>DPR7EIX-9</b> <b>DPR8EIX-9</b> <b>DPR9EIX-9</b>		
	Fig. ② b	<b>DR7EIX</b> <b>DR8EIX</b> <b>DR9EIX</b>	
$\varnothing$ 12mm $\times$ 21.0mm Hex 18.0mm Fig. ③ a	<b>DPR8ZIX</b>		
$\varnothing$ 12mm $\times$ 26.5mm Conical seat Hex 14.0mm Fig. ④ d	<b>ZNAR7AIX</b> <b>ZNAR6AIX-11</b>		
$\varnothing$ 12mm $\times$ 26.5mm Hex 14.0mm	<b>LZKR6AIX</b>		
$\varnothing$ 10mm $\times$ 19.0mm Hex 16.0mm Fig. ⑤ a	<b>CPR6EAIX-9S</b> <b>CPR7EAIX-9</b> <b>CPR9EAIX-9</b>		
	Fig. ⑤ c	<b>CR7EIX</b> <b>CR8EIX</b> <b>CR9EIX</b> <b>CR10EIX</b>	
	Fig. ⑥ b	<b>CR8EHIX-9</b> <b>CR9EHIX-9</b>	
$\varnothing$ 10mm $\times$ 12.7mm Hex 16.0mm Fig. ⑦ b	<b>CR5HIX</b> <b>CR6HIX</b> <b>CR7HIX</b> <b>CR8HIX</b> <b>CR9HIX</b>		
$\varnothing$ 8mm $\times$ 19.0mm Hex 13.0mm Fig. ⑧ e	<b>ER8EHIX</b> <b>ER9EHIX</b>		



Standard

IRIDIUM  
IX

Standard

IRIDIUM  
IX

Standard	Iridium	Stock No.	Standard	Iridium	Stock No.
B10ES	BR10EIX	6801	BKR6E-11	BKR6EIX-11	3764
B10EVX	BR10EIX	6801	BKR6EK	BKR6EIX	6418
B10HS	BR10HIX	6692	BKR6EKB-11	BKR6EIX-11	3764
B6HS	BR6HIX	3419	BKR6EKC-N-11	BKR6EIX-11	3764
B6HS-10	BR6HIX	3419	BKR6EKE	BKR6EIX	6418
B6HVX	BR6HIX	3419	BKR6EKP-11	BKR6EIX-11	3764
B7ECS	BR7EIX	6664	BKR6EKU	BKR6EIX-11	3764
B7ES	BR7EIX	6664	BKR6E-N	BKR6EIX	6418
B7EVX	BR7EIX	6664	BKR6E-N-11	BKR6EIX-11	3764
B7HS	BR7HIX	7067	BKR6EP-11	BKR6EIX-11	3764
B7HS-10	BR7HIX	7067	BKR6EP-13	BKR6EIX-11	3764
B7HVX	BR7HIX	7067	BKR6EP-8	BKR6EIX	6418
B8ECS	BR8EIX	5044	BKR6EP-N-8	BKR6EIX	6418
B8ES	BR8EIX	5044	BKR6EQUP	BKR6EIX-11	3764
B8EVX	BR8EIX	5044	BKR6ES	BKR6EIX	6418
B8HS	BR8HIX	7001	BKR6ES-11	BKR6EIX-11	3764
B8HS-10	BR8HIX	7001	BKR6EVX	BKR6EIX	6418
B8HVX	BR8HIX	7001	BKR6EVX-11	BKR6EIX-11	3764
B9ECS	BR9EIX	3981	BKR6EY	BKR6EIX	6418
B9ES	BR9EIX	3981	BKR6EY-11	BKR6EIX-11	3764
B9EVX	BR9EIX	3981	BKR6EYA	BKR6EIX	6418
B9HS	BR9HIX	5687	BKR6EYA-11	BKR6EIX-11	3764
B9HVX	BR9HIX	5687	BKR6EZ	BKR6EIX	6418
BCP5ES	BCPR5EIX	5688	BKR6EZB	BKR6EIX	6418
BCP5ET	BKR5EIX	6341	BKR7E	BKR7EIX	2667
BCP6ET	BKR6EIX	6418	BKR7E-11	BKR7EIX-11	6988
BCP7ET	BCPR7EIX	5690	BKR7EKC-N-11	BKR7EIX-11	6988
BCPR5ES	BCPR5EIX	5688	BKR7EKU	BKR7EIX-11	6988
BCPR5ET	BKR5EIX	6341	BKR7E-N-11	BKR7EIX-11	6988
BCPR6E	BCPR6EIX	5689	BKR7EQUP	BKR7EIX-11	6988
BCPR6ES	BCPR6EIX	5689	BKR7ES-11	BKR7EIX-11	6988
BCPR6ET	BKR6EIX	6418	BKR7EVX-11	BKR7EIX-11	6988
BK5E	BKR5EIX	6341	BKUR5ET	BKR5EIX	6341
BK5E-11	BKR5EIX-11	5464	BKUR5ET-10	BKR5EIX-11	5464
BK6E	BKR6EIX	6418	BKUR6E	BKR6EIX	6418
BK6E-11	BKR6EIX-11	3764	BKUR6EK	BKR6EIX-11	3764
BK7EK-N-11	BKR7EIX-11	6988	BKUR6EK-9	BKR6EIX	6418
BK7EKU	BKR7EIX-11	6988	BKUR6ET-10	BKR6EIX-11	3764
BKR5E	BKR5EIX	6341	BKUR7EK	BKR7EIX-11	6988
BKR5E-11	BKR5EIX-11	5464	BP5EK-A	BPR5EIX-11	2115
BKR5EK	BKR5EIX	6341	BP5ES	BPR5EIX	6597
BKR5EKB-11	BKR5EIX-11	5464	BP5ES-11	BPR5EIX-11	2115
BKR5EKC	BKR5EIX	6341	BP5ES-13	BPR5EIX-11	2115
BKR5EKP-11	BKR5EIX-11	5464	BP5ESZ	BPR5EIX	6597
BKR5EKP-13	BKR5EIX-11	5464	BP5ET	BPR5EIX	6597
BKR5EKU	BKR5EIX-11	5464	BP5ET-10	BPR5EIX-11	2115
BKR5EKUP	BKR5EIX-11	5464	BP5EVX	BPR5EIX	6597
BKR5E-N	BKR5EIX	6341	BP5EVX-11	BPR5EIX-11	2115
BKR5E-N-11	BKR5EIX-11	5464	BP5EY	BPR5EIX	6597
BKR5EP-11	BKR5EIX-11	5464	BP5EY-11	BPR5EIX-11	2115
BKR5ES	BKR5EIX	6341	BP6E	BPR6EIX	6637
BKR5ES-11	BKR5EIX-11	5464	BP6EK-A	BPR6EIX-11	3903
BKR5EVX	BKR5EIX	6341	BP6ES	BPR6EIX	6637
BKR5EVX-11	BKR5EIX-11	5464	BP6ES-11	BPR6EIX-11	3903
BKR5EY	BKR5EIX	6341	BP6ESZ	BPR6EIX	6637
BKR5EY-11	BKR5EIX-11	5464	BP6ET	BPR6EIX	6637
BKR5EYA	BKR5EIX	6341	BP6EVX	BPR6EIX	6637
BKR5EYA-11	BKR5EIX-11	5464	BP6EY	BPR6EIX	6637
BKR5EZ	BKR5EIX	6341	BP6EY-11	BPR6EIX-11	3903
BKR6E	BKR6EIX	6418	BP6HS	BPR6HIX	4085



Standard

**IRIDIUM  
IX**

Standard

**IRIDIUM  
IX**

Standard	Iridium	Stock No.	Standard	Iridium	Stock No.
BP6HSA	<b>BPR6HIX</b>	<b>4085</b>	BR6HS	<b>BR6HIX</b>	<b>3419</b>
BP6HVX	<b>BPR6HIX</b>	<b>4085</b>	BR6HS-10	<b>BR6HIX</b>	<b>3419</b>
BP7ES	<b>BPR7EIX</b>	<b>4055</b>	BR6HSA-9	<b>BPR6HIX</b>	<b>4085</b>
BP7ET	<b>BPR7EIX</b>	<b>4055</b>	BR7EF	<b>BR7EIX</b>	<b>6664</b>
BP7EVX	<b>BPR7EIX</b>	<b>4055</b>	BR7ES	<b>BR7EIX</b>	<b>6664</b>
BP7EY	<b>BPR7EIX</b>	<b>4055</b>	BR7EVX	<b>BR7EIX</b>	<b>6664</b>
BP7HS	<b>BPR7HIX</b>	<b>5944</b>	BR7HS	<b>BR7HIX</b>	<b>7067</b>
BP7HVX	<b>BPR7HIX</b>	<b>5944</b>	BR7HS-10	<b>BR7HIX</b>	<b>7067</b>
BP8ES	<b>BPR8EIX</b>	<b>6684</b>	BR8ECM	<b>BR8ECMIX</b>	<b>3520</b>
BP8EVX	<b>BPR8EIX</b>	<b>6684</b>	BR8ECMVX	<b>BR8ECMIX</b>	<b>3520</b>
BP8HS	<b>BPR8HIX</b>	<b>6742</b>	BR8ECS	<b>BR8EIX</b>	<b>5044</b>
BP8HS-10	<b>BPR8HIX</b>	<b>6742</b>	BR8ES	<b>BR8EIX</b>	<b>5044</b>
BP8HSA	<b>BPR8HIX</b>	<b>6742</b>	BR8EVX	<b>BR8EIX</b>	<b>5044</b>
BP8HVX	<b>BPR8HIX</b>	<b>6742</b>	BR8HCS-10	<b>BR8HIX</b>	<b>7001</b>
BP9ES	<b>BPR9EIX</b>	<b>6853</b>	BR8HS	<b>BR8HIX</b>	<b>7001</b>
BPR5E	<b>BPR5EIX</b>	<b>6597</b>	BR8HVX	<b>BR8HIX</b>	<b>7001</b>
BPR5E-11	<b>BPR5EIX-11</b>	<b>2115</b>	BR9ECM	<b>BR9ECMIX</b>	<b>2707</b>
BPR5EK-A	<b>BPR5EIX-11</b>	<b>2115</b>	BR9ECMVX	<b>BR9ECMIX</b>	<b>2707</b>
BPR5EKU	<b>BPR5EIX</b>	<b>6597</b>	BR9ECS-5	<b>BR9ECSIX-5</b>	<b>6014</b>
BPR5EP-11	<b>BPR5EIX-11</b>	<b>2115</b>	BR9ES	<b>BR9EIX</b>	<b>3981</b>
BPR5EP-8	<b>BPR5EIX</b>	<b>6597</b>	BR9EVX	<b>BR9EIX</b>	<b>3981</b>
BPR5ES	<b>BPR5EIX</b>	<b>6597</b>	BR9EYA	<b>BR9EIX</b>	<b>3981</b>
BPR5ES-11	<b>BPR5EIX-11</b>	<b>2115</b>	BR9HS	<b>BR9HIX</b>	<b>5687</b>
BPR5ES-13	<b>BPR5EIX-11</b>	<b>2115</b>	BR9HS-10	<b>BR9HIX</b>	<b>5687</b>
BPR5EVX	<b>BPR5EIX</b>	<b>6597</b>	BU6EA-11	<b>BPR6EIX-11</b>	<b>3903</b>
BPR5EVX-11	<b>BPR5EIX-11</b>	<b>2115</b>	BUR5EA-11	<b>BPR5EIX-11</b>	<b>2115</b>
BPR5EY	<b>BPR5EIX</b>	<b>6597</b>	BUR5ET	<b>BPR5EIX</b>	<b>6597</b>
BPR5EY-11	<b>BPR5EIX-11</b>	<b>2115</b>	BUR5ET-10	<b>BPR5EIX</b>	<b>6597</b>
BPR6E	<b>BPR6EIX</b>	<b>6637</b>	BUR6EA-11	<b>BPR6EIX-11</b>	<b>3903</b>
BPR6E-11	<b>BPR6EIX-11</b>	<b>3903</b>	BUR6ET	<b>BPR6EIX</b>	<b>6637</b>
BPR6EK-A	<b>BPR6EIX-11</b>	<b>3903</b>	C6HSA	<b>CR6HIX</b>	<b>7274</b>
BPR6EKN	<b>BPR6EIX</b>	<b>6637</b>	C7E	<b>CR7EIX</b>	<b>7385</b>
BPR6EP-8	<b>BPR6EIX</b>	<b>6637</b>	C7HSA	<b>CR7HIX</b>	<b>7544</b>
BPR6ES	<b>BPR6EIX</b>	<b>6637</b>	C7HVX	<b>CR7HIX</b>	<b>7544</b>
BPR6ES-11	<b>BPR6EIX-11</b>	<b>3903</b>	C8E	<b>CR8EIX</b>	<b>4218</b>
BPR6EVX	<b>BPR6EIX</b>	<b>6637</b>	C8EH-9	<b>CR8EHIX-9</b>	<b>3797</b>
BPR6EVX-11	<b>BPR6EIX-11</b>	<b>3903</b>	C8HSA	<b>CR8HIX</b>	<b>7669</b>
BPR6EY	<b>BPR6EIX</b>	<b>6637</b>	C9E	<b>CR9EIX</b>	<b>3521</b>
BPR6EY-11	<b>BPR6EIX-11</b>	<b>3903</b>	C9EH-9	<b>CR9EHIX-9</b>	<b>6216</b>
BPR6HS	<b>BPR6HIX</b>	<b>4085</b>	CPR6EA-9	<b>CPR6EAIX-9S</b>	<b>93921</b>
BPR6HSA	<b>BPR6HIX</b>	<b>4085</b>	CPR6EA-9S	<b>CPR6EAIX-9S</b>	<b>93921</b>
BPR6HVX	<b>BPR6HIX</b>	<b>4085</b>	CPR7EA-9	<b>CPR7EAIX-9</b>	<b>9198</b>
BPR7E	<b>BPR7EIX</b>	<b>4055</b>	CPR8EA-9	<b>CPR8EAIX-9</b>	<b>96067</b>
BPR7EKN	<b>BPR7EIX</b>	<b>4055</b>	CPR9EA-9	<b>CPR9EAIX-9</b>	<b>97673</b>
BPR7ES	<b>BPR7EIX</b>	<b>4055</b>	CR10E	<b>CR10EIX</b>	<b>6482</b>
BPR7EVX	<b>BPR7EIX</b>	<b>4055</b>	CR6HS	<b>CR6HIX</b>	<b>7274</b>
BPR7EY	<b>BPR7EIX</b>	<b>4055</b>	CR6HSA	<b>CR6HIX</b>	<b>7274</b>
BPR7HS	<b>BPR7HIX</b>	<b>5944</b>	CR7E	<b>CR7EIX</b>	<b>7385</b>
BPR7HVX	<b>BPR7HIX</b>	<b>5944</b>	CR7HS	<b>CR7HIX</b>	<b>7544</b>
BPR8ES	<b>BPR8EIX</b>	<b>6684</b>	CR7HSA	<b>CR7HIX</b>	<b>7544</b>
BPR8EVX	<b>BPR8EIX</b>	<b>6684</b>	CR8E	<b>CR8EIX</b>	<b>4218</b>
BPR8HS	<b>BPR8HIX</b>	<b>6742</b>	CR8EH-9	<b>CR8EHIX-9</b>	<b>3797</b>
BPR8HSA	<b>BPR8HIX</b>	<b>6742</b>	CR8EHVX-9	<b>CR8EHIX-9</b>	<b>3797</b>
BPR9ES	<b>BPR9EIX</b>	<b>6853</b>	CR8EKPA	<b>CR8EIX</b>	<b>4218</b>
BPR9EVX	<b>BPR9EIX</b>	<b>6853</b>	CR8EVX	<b>CR8EIX</b>	<b>4218</b>
BR10ECM	<b>BR10ECMIX</b>	<b>3006</b>	CR8HS	<b>CR8HIX</b>	<b>7669</b>
BR10ECMVX	<b>BR10ECMIX</b>	<b>3006</b>	CR8HSA	<b>CR8HIX</b>	<b>7669</b>
BR10ES	<b>BR10EIX</b>	<b>6801</b>	CR8HVX	<b>CR8HIX</b>	<b>7669</b>
BR10EVX	<b>BR10EIX</b>	<b>6801</b>	CR9E	<b>CR9EIX</b>	<b>3521</b>
BR10EYA	<b>BR10EIX</b>	<b>6801</b>	CR9EH-9	<b>CR9EHIX-9</b>	<b>6216</b>



Standard

IRIDIUM  
IX

Standard

IRIDIUM  
IX

Standard	Iridium	Stock No.	Standard	Iridium	Stock No.
CR9EHVX-9	CR9EHIX-9	6216	IGR6A	BPR6EIX	6637
CR9EVX	CR9EIX	3521	IGR7A	BPR7EIX	4055
D7EA	DR7EIX	5686	IGR7A-G	BPR7EIX	4055
D7EVX	DR7EIX	5686	IKR7A	DCPR7EIX	6046
D8EA	DR8EIX	6681	IKR7B	DCPR7EIX	6046
D8EVX	DR8EIX	6681	IKR7D	DCPR7EIX	6046
D9EA	DR9EIX	4772	IKR7E9	DCPR7EIX	6046
D9EVX	DR9EIX	4772	IZFR6H11	ZFR6FIX-11	6441
DCP6E	DCPR6EIX	8196	J9A	DR9EIX	4772
DCP7E	DCPR7EIX	6046	JR8B	DR8EIX	6681
DCP7EVX	DCPR7EIX	6046	JR8C	DR8EIX	6681
DCPR6E	DCPR6EIX	8196	JR9B	DR9EIX	4772
DCPR7E	DCPR7EIX	6046	JR9C	DR9EIX	4772
DCPR7EA-9	DCPR7EIX	6046	KR7AI	DCPR7EIX	6046
DCPR7E-N	DCPR7EIX	6046	LR8A	CR8HIX	7669
DCPR7E-N-10	DCPR7EIX	6046	PFR5B	BKR5EIX	6341
DCPR7EVX	DCPR7EIX	6046	PFR5B-11	BKR5EIX-11	5464
DCPR8E	DCPR8EIX	6546	PFR5B-9	BKR5EIX	6341
DCPR8EKC	DCPR8EIX	6546	PFR5C-11	BKR5EIX-11	5464
DCPR9E	DCPR9EIX	2316	PFR5G-11	BKR5EIX-11	5464
DP7EA-9	DPR7EIX-9	7803	PFR5G-11E	BKR5EIX-11	5464
DP8EA-9	DPR8EIX-9	2202	PFR5G-13E	BKR5EIX-11	5464
DP9EA-9	DPR9EIX-9	5545	PFR5J-11	BKR5EIX-11	5464
DPR7EA-9	DPR7EIX-9	7803	PFR5L-11	BKR5EIX-11	5464
DPR7EVX-9	DPR7EIX-9	7803	PFR5N-11	BKR5EIX-11	5464
DPR8EA-9	DPR8EIX-9	2202	PFR5P-11	BKR5EIX-11	5464
DPR8EVX-9	DPR8EIX-9	2202	PFR5R-11	BKR5EIX-11	5464
DPR9EA-9	DPR9EIX-9	5545	PFR6B	BKR6EIX	6418
DPR9EVX-9	DPR9EIX-9	5545	PFR6B-11	BKR6EIX-11	3764
DR7EA	DR7EIX	5686	PFR6B-9	BKR6EIX	6418
DR7ES	DR7EIX	5686	PFR6C-11	BKR6EIX-11	3764
DR8EA	DR8EIX	6681	PFR6E-10	BKR6EIX-11	3764
DR8ES	DR8EIX	6681	PFR6G	BKR6EIX	6418
DR8ES-L	DR9EIX	4772	PFR6G-11	BKR6EIX-11	3764
DR8EVX	DR8EIX	6681	PFR6G-13	BKR6EIX-11	3764
DR9EA	DR9EIX	4772	PFR6G-13E	BKR6EIX-11	3764
DR9EVX	DR9EIX	4772	PFR6G-9	BKR6EIX	6418
ER9EH	ER9EHIX	96652	PFR6J	BKR6EIX	6418
FR5BP-11	BKR5EIX-11	5464	PFR6J-11	BKR6EIX-11	3764
FR5CP	BKR5EIX	6341	PFR6L-11	BKR6EIX-11	3764
FR5EI	BKR5EIX	6341	PFR6M	BKR6EIX	6418
FR6BP-11	BKR6EIX-11	3764	PFR6N-11	BKR6EIX-11	3764
FR6EI	BKR6EIX	6418	PFR6P-11	BKR6EIX-11	3764
GR5AI-10	BPR5EIX-11	2115	PFR6Q	BKR6EIX	6418
IFR5A11	BKR5EIX-11	5464	PFR6T-10G	BKR6EIX-11	3764
IFR5D10	BKR5EIX-11	5464	PFR6X-11	BKR6EIX-11	3764
IFR5E11	BKR5EIX-11	5464	PFR7B-11	BKR7EIX-11	6988
IFR5J11	BKR5EIX-11	5464	PFR7G-11	BKR7EIX-11	6988
IFR5N10	BKR5EIX-11	5464	PGR5A	BPR5EIX	6597
IFR6A11	BKR6EIX-11	3764	PGR6A	BPR6EIX	6637
IFR6B	BKR6EIX	6418	PGR6A-11	BPR6EIX-11	3903
IFR6B11	BKR6EIX-11	3764	PGR7A	BPR7EIX	4055
IFR6C	BKR6EIX	6418	PJR7A	DPR7EIX-9	7803
IFR6C9N	BKR6EIX	6418	PZFR6F-11	ZFR6FIX-11	6441
IFR6D10	BKR6EIX-11	3764	ZFR6F-11	ZFR6FIX-11	6441
IFR6E11	BKR6EIX-11	3764	ZFR6FVX-11	ZFR6FIX-11	6441
IFR6J	BKR6EIX	6418	ZFR6J-11	ZFR6FIX-11	6441
IFR6J11	BKR6EIX-11	3764			
IFR6Q-G	BKR6EIX	6418			
IFR6S	BKR6EIX	6418			



RACING



IGNITION PARTS



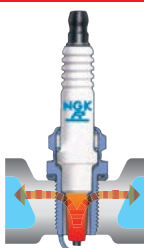

## ▶ Choosing a Heat range

### ▶ Heat range of spark plugs

The firing end of the spark plug is exposed in the combustion chamber, so it undergoes the cycle of heat receiving and heat dissipation repeatedly. "Heat rating" is measure of the balance of the amount of heat received and amount of heat dissipated. You need to choose heat rating at which the spark plug can be used normally by maintaining this balance.

### ▶ Hot type and Cold type

We call spark plugs which firing end heats up quickly, "hot type". On the other hand, we call spark plugs which firing end doesn't heat up quickly, "cold type". As for hot type, since the insulator nose is long and the heat receiving area of the insulator is large, it is heated to higher temperature easily. A Cold type is the opposite.

		Hot Type (Low heat rating)	Cold Type (High heat rating)
Flow of heat			
Length of insulator nose		Long	Short
Heat receiving area of the firing end		Large	Small
Spark plug temperature		Rises easily	Does not rise easily
Characteristics of spark plug	Merits	Does not easily lead to carbon fouling	Does not overheat easily
	Demerits	Overheats easily	Easily leads to carbon fouling

**It is essential to use a spark plug with a heat rating that matches a specific engine and its condition of use.**


If you use spark plugs with a wrong heat rating, following troubles may occur.

You are recommended to consult with a shop/garage where you are normally maintaining your car.

**When the heat rating is too low,**

The spark plug temperature rises too high and induces abnormal combustion (pre-ignition); this leads to melting of the spark plug electrode that could cause problems such as piston seizure.


Overheat



**When the heat rating is too high,**

The spark plug temperature remains too low and causes carbons to build up on the firing end; the carbons provide an electrical leakage path that gives rise to a reduction of spark.

Smolder




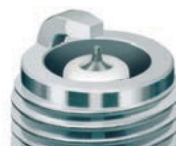



## ▶ Choosing a firing end design

### ▶ About firing end designs

You need to choose racing spark plugs with the appropriate firing end design according to the tune-up level of the engine and the running condition of the vehicle.

In general, spark plugs which firing end projects into the combustion engine have better ignitability. But the other hand, the longer projections are more susceptible to the wear and tear of extreme temperatures.

Since high-power and high-performance engines not only run hotter but also they vibrate more, we recommend choosing a firing end design that reduces exposure of the electrode and insulator as much as possible.

Projected type	Conventional type	Oblique electrode type	Flat type	Semi-surface discharge type
				
Long ground electrode (Projected type)		short		none
low		medium		high
<b>Tune-up level</b>				

Spark Plug Maintenance

## ▶ How to correctly install spark plugs

You must take great care when installing spark plugs. In particular, you have to watch the torque. If you use too much or too little torque when installing spark plugs you can cause damage to the spark plugs and the engine, so be sure you abide by the following.

### ▶ Be sure to use the correct spark plug wrench.

Some engines have narrow spark plug holes thereby preventing the spark plugs from being tightened correctly with a plug wrench that does not perfectly fit the hexagonal portion of the plug. So, please use the appropriate spark plug wrench for your engine.

### ▶ Be sure to tighten the spark plug to the correct torque.

Screw in the spark plug and then use a torque wrench to tighten the spark plug to the standard torque noted in the chart on the right. If you do not have access to a torque wrench screw in the plug with your fingertips and then tighten to the rotation angle noted below (corresponds to the tightening torque in the chart on the right) using a spark plug wrench once the spark plug comes in contact with the spark plug tube gasket mount.

### Standard Torque

Plug thread size	Tightening torque
φ18mm	35~40N·m (3.5~4.0kgm)
φ14mm	25~30N·m (2.5~3.0kgm)
φ12mm	15~20N·m (1.5~2.0kgm)
φ10mm	10~12N·m (1.0~1.2kgm)
φ8mm	8~10N·m (0.8~1.0kgm)

### Conical seat type (without gasket)

Tightening torque	
	10~20N·m (1.0~2.0kgm)



If any lubricants, such as grease, or seizure prevention agents are used on the threads there is a danger of over tightening the spark plug past the standard torque. Therefore, do not use lubricants or seizure prevention agents on these parts.

## ▶ Tightening angles

Heat range number enters

Thread size				New gasket	Used gasket
φ18mm·φ14mm (except▼)				$\frac{1}{2} \sim \frac{2}{3}$ of a turn (180°~240°)	$\frac{1}{12}$ of a turn (30°)
▼	BCPR <sup>○</sup> ED BKR <sup>○</sup> EKUC PZFR <sup>○</sup> C	BCPR <sup>○</sup> EDIX BKR <sup>○</sup> EKUD R6918C <sup>○</sup>	BCPR <sup>○</sup> EKD BKR <sup>○</sup> ETUA	$\frac{1}{3}$ of a turn (120°)	$\frac{1}{12}$ of a turn (30°)
φ12mm (except▼)				$\frac{1}{2}$ of a turn (180°)	$\frac{1}{12}$ of a turn (30°)
▼	DILKAR <sup>○</sup> G11DS DILKAR <sup>○</sup> P8SY DILZKR <sup>○</sup> A11DS DPR <sup>○</sup> EA-9S ILZKAR <sup>○</sup> H8S ILZKR <sup>○</sup> B11GS LKR <sup>○</sup> AP7JDS LKR <sup>○</sup> AHX-S LKR <sup>○</sup> DIX-11S SILZKAR <sup>○</sup> F7S SILZKR <sup>○</sup> C11DS R2556G <sup>○</sup>	DILKAR <sup>○</sup> G11GS DILZKAR <sup>○</sup> C11H DILZKR <sup>○</sup> A11GS ILKAR <sup>○</sup> K11S ILZKAR <sup>○</sup> J8SY ILZKR <sup>○</sup> B-11S LKR <sup>○</sup> ARX-PS LKR <sup>○</sup> ARX-PS SILKAR <sup>○</sup> C6DS SILZKAR <sup>○</sup> H6S SILZKR <sup>○</sup> C11S R2558E <sup>○</sup>	DILKAR <sup>○</sup> H11GS DILZKAR <sup>○</sup> C11S DILZKR <sup>○</sup> B10DS ILZKAR <sup>○</sup> E11S ILZKER <sup>○</sup> A4DS ILZKR <sup>○</sup> B8S LKR <sup>○</sup> BGP-S LKR <sup>○</sup> BGP-S SILKRA <sup>○</sup> S SILZKBR <sup>○</sup> B8S SILZKR <sup>○</sup> F11DS	$\frac{1}{4}$ of a turn (90°)	$\frac{1}{8}$ of a turn (45°)
φ10mm (except▼)				$\frac{1}{2}$ of a turn (180°)	$\frac{1}{12}$ of a turn (30°)
▼	C <sup>○</sup> E CPR <sup>○</sup> EAIX-9 CR <sup>○</sup> EGP CR <sup>○</sup> EIB-9 CR <sup>○</sup> EKB DIMR <sup>○</sup> A10 ILMAR <sup>○</sup> B8 LMAR <sup>○</sup> AI-10 LMAR <sup>○</sup> AP8J LMAR <sup>○</sup> DI-10 LMAR <sup>○</sup> F-9 LZMAR <sup>○</sup> AI-10 MR <sup>○</sup> BI-8 MR <sup>○</sup> E-9 MR <sup>○</sup> K-9 SILMAR <sup>○</sup> B9 SILMFR <sup>○</sup> A8G	CPR <sup>○</sup> E CPR <sup>○</sup> EB-9 CR <sup>○</sup> EIA-10 CR <sup>○</sup> EIX CR <sup>○</sup> EKC DIMR <sup>○</sup> B10 ILMAR <sup>○</sup> E9 LMAR <sup>○</sup> AI-8 LMAR <sup>○</sup> BI-9 LMAR <sup>○</sup> D-J LMAR <sup>○</sup> FI-10G MAR <sup>○</sup> A-6J MRO <sup>○</sup> C-9N MRO <sup>○</sup> F PMR <sup>○</sup> A SILMAR <sup>○</sup> C9 SIMR <sup>○</sup> A9	CPR <sup>○</sup> EA-9 CR <sup>○</sup> E CR <sup>○</sup> EIA-9 CR <sup>○</sup> EK CR <sup>○</sup> EKPA DIMR <sup>○</sup> C10 ILMAR <sup>○</sup> F8 LMAR <sup>○</sup> AI-8E LMAR <sup>○</sup> C-9 LMAR <sup>○</sup> EI-7 LMAR <sup>○</sup> G MAR <sup>○</sup> A-J MRO <sup>○</sup> CI-8 MRO <sup>○</sup> G-9E PMR <sup>○</sup> B SILMAR <sup>○</sup> E9 ZMR <sup>○</sup> A-10	$\frac{1}{4}$ of a turn (90°)	$\frac{1}{12}$ of a turn (30°)
▼	CPR <sup>○</sup> EA-9S CR <sup>○</sup> EDX-9S ILMAR <sup>○</sup> D8S LMAR <sup>○</sup> A-9S LMAR <sup>○</sup> K-9S MR <sup>○</sup> B-9NS SILMAR <sup>○</sup> D9DS SPMR <sup>○</sup> A6HDG R0465B <sup>○</sup>	CPR <sup>○</sup> EAIX-9S CR <sup>○</sup> EH-9S IMR <sup>○</sup> C-9HES LMAR <sup>○</sup> ADX-9S LMDR <sup>○</sup> A-JS MRO <sup>○</sup> BP8HJS SILMFR <sup>○</sup> B8GS R0409B <sup>○</sup>	CPR <sup>○</sup> EDX-9S DILMAR <sup>○</sup> A11S IMR <sup>○</sup> D-9H LMAR <sup>○</sup> AP8JS MAR <sup>○</sup> B-JDS SILMAR <sup>○</sup> A9S SILR <sup>○</sup> A7S R0451B <sup>○</sup>	$\frac{1}{6}$ of a turn (60°)	$\frac{1}{12}$ of a turn (30°)
φ8mm (except▼)				$\frac{1}{3}$ of a turn (120°)	$\frac{1}{12}$ of a turn (30°)
Conical seat type (without gasket)				$\frac{1}{16}$ of a turn (22.5°)	$\frac{1}{16}$ of a turn (22.5°)
▼ Copper gasket type				$\frac{1}{12}$ of a turn (30°)	$\frac{1}{24}$ of a turn (15°)



▶  $\phi 14\text{mm}\times 19\text{mm}$ (Hex20.8mm)



R6918B-○



Heat range	7	8	9
Spark plug type	B-E		
Terminal shape			
Center electrode material	Platinum		
Ground electrode material	Nickel		



R7376-○



Heat range	7	8	9	10
Spark plug type	B-E			
Terminal shape				
Center electrode material	Iridium			
Ground electrode material	Platinum			



R6712-○



Heat range	9	10
Spark plug type	B-E	
Terminal shape		
Center electrode material	Nickel	
Ground electrode material	—	

▶  $\phi 14\text{mm}\times 22\text{mm}$ (Hex16.0mm)



R7282A-○<sup>※1</sup>



Heat range	10	105	11
Spark plug type	Short		
Terminal shape			
Center electrode material	Iridium		
Ground electrode material	Platinum		

※ 1 ) It's necessary to use special plug caps(Please refer to page 8)

※ 2 ) The length from gasket to terminal of ISO/JIS type spark plugs is 50.5mm which is 2.5mm shorter than old JIS type spark plugs.

※ 3 ) Heat range number enters ○

※ 4 ) Racing spark plugs may be finished selling without notice.

NOTICE) =Solid post terminal =Thread terminal with nut =Thread terminal

▶  $\phi 14\text{mm} \times 19\text{mm}$  (Hex16.0mm)

Please be aware that some plugs cannot be replaced despite having the same thread size and length.

**R7282-** ○ ※1



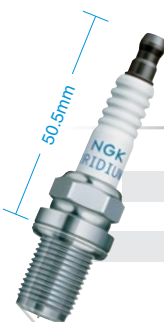
Heat range	9	10	105	11
Spark plug type	Short			
Terminal shape				
Center electrode material	Iridium			
Ground electrode material	Platinum			

**R7433-** ○



Heat range	8	9	10
Spark plug type	BK-E (ISO/JIS) ※2		
Terminal shape			
Center electrode material	Iridium		
Ground electrode material	Nickel		

**R7434-** ○



Heat range	8	9	10
Spark plug type	BK-E (ISO/JIS) ※2		
Terminal shape			
Center electrode material	Iridium		
Ground electrode material	Platinum		

**R6601-** ○



Heat range	8	9	10	11
Spark plug type	BK-E (ISO/JIS) ※2			
Terminal shape				
Center electrode material	Nickel			
Ground electrode material	—			

**R7435-** ○



Heat range	8	9	10
Spark plug type	BCP-E (old JIS)		
Terminal shape			
Center electrode material	Iridium		
Ground electrode material	Nickel		

**R7436-** ○



Heat range	8	9	10
Spark plug type	BC-E (old JIS)		
Terminal shape			
Center electrode material	Iridium		
Ground electrode material	Platinum		

**R6690-** ○



Heat range	9	10	11
Spark plug type	BC-E (old JIS)		
Terminal shape			
Center electrode material	Nickel		
Ground electrode material	—		



▶  $\phi$ 14mm×26.5mm(Hex16.0mm)



R7437-○



Heat range	8	9	10
Spark plug type	LFR long reach		
Terminal shape			
Center electrode material	Iridium		
Ground electrode material	Nickel		



R7438-○



Heat range	8	9	10
Spark plug type	LFR long reach		
Terminal shape			
Center electrode material	Iridium		
Ground electrode material	Platinum		

▶  $\phi$ 14mm×21.5mm(Hex20.8mm)



R6725-○



Heat range	9	10	105	11	115
Spark plug type	Rotary Engine RX-7				
Terminal shape					
Center electrode material	Platinum				
Ground electrode material	Platinum				



R7420-○



Heat range	9	10	105	11
Spark plug type	Rotary Engine RX-7			
Terminal shape				
Center electrode material	Iridium			
Ground electrode material	Platinum			

▶  $\phi$ 14mm×21mm(Hex20.8mm)



R7440A-○L



Heat range	9	10
Spark plug type	Rotary Engine RX-8 Lside	
Terminal shape		
Center electrode material	Iridium	
Ground electrode material	Platinum	

▶  $\phi$ 14mm×19mm(Hex20.8mm)



R7440B-○T



Heat range	10	11
Spark plug type	Rotary Engine RX-8 Tside	
Terminal shape		
Center electrode material	Iridium	
Ground electrode material	Platinum	

▶  $\phi$ 12mm×26.5mm(Hex16.0mm)



R2556G-○



Heat range	8	9	10
Spark plug type	LKR long reach		
Terminal shape			
Center electrode material	Iridium		
Ground electrode material	Platinum		

▶  $\phi$ 12mm×26.5mm(Hex14.0mm)



R2558E-○



Heat range	8	9	10
Spark plug type	LKAR long reach		
Terminal shape			
Center electrode material	Iridium		
Ground electrode material	Platinum		

▶  $\phi$ 12mm×19mm(Hex16.0mm)



**R2349-**○

Heat range 9 10 11

Spark plug type	DC-E
Terminal shape	⬮
Center electrode material	Nickel
Ground electrode material	—



**R2525-**○

Heat range 9 10

Spark plug type	DC-E
Terminal shape	⬮
Center electrode material	Platinum
Ground electrode material	Nickel



▶  $\phi$ 10mm×26.5mm(Hex16.0mm)



**R0452A-**○

Heat range 10

Spark plug type	LMR long reach
Terminal shape	⬮
Center electrode material	Nickel
Ground electrode material	—



▶  $\phi$ 10mm×26.5mm(Hex14.0mm)



**R0465B-**○

Heat range 10

Spark plug type	LMAR long reach
Terminal shape	⬮
Center electrode material	Nickel
Ground electrode material	—



**R0451B-**○

Heat range 8

Spark plug type	LMAR long reach
Terminal shape	⬮
Center electrode material	Iridium
Ground electrode material	Nickel



**R0451C-**○

Heat range 10

Spark plug type	LMAR long reach
Terminal shape	⬮
Center electrode material	Iridium
Ground electrode material	Nickel



※ 1) Heat range number enters ○

※ 2) Racing spark plugs may be finished selling without notice.

NOTICE) ⬮=Solid post terminal ⬮=Thread terminal with nut ⬮=Thread terminal



▶  $\phi$ 10mm×19mm(Hex16.0mm)



R0373A-○



Heat range	8	9	10	11
------------	---	---	----	----

Spark plug type	C-E
Terminal shape	
Center electrode material	Iridium
Ground electrode material	Platinum



R0045Q-○



Heat range	10	11
------------	----	----

Spark plug type	C-E
Terminal shape	
Center electrode material	Nickel
Ground electrode material	—

▶  $\phi$ 10mm×19mm(Hex16.0mm) Half thread



R0409B-○



Heat range	8	9	10
------------	---	---	----

Spark plug type	C-EH
Terminal shape	
Center electrode material	Iridium
Ground electrode material	Nickel



R0459A-○



Heat range	10
------------	----

Spark plug type	C-EH
Terminal shape	
Center electrode material	Nickel
Ground electrode material	—

▶  $\phi$ 8mm×19mm(Hex13.0mm) Half thread



R847-○



Heat range	10	11
------------	----	----

Spark plug type	E-EH
Terminal shape	
Center electrode material	Nickel
Ground electrode material	—

※ 1) Heat range number enters ○  
 ※ 2) Racing spark plugs may be finished selling without notice.

NOTICE) = Solid post terminal = Thread terminal with nut = Thread terminal

## ▶ Discontinued plug types



Red color indicates non resistor plugs. Heat range number enters

Old part number	New part number
R0045G-,R0045J-	R0045Q-
R016-,R017-	R0373A-
R0161-	CR HIX
R216-,R217-	R2525-
R2270-,R2430-	R2349-
R2556B-	R2556G-
R2558A-	R2558E-
R4304A-	BPR EIX
R5530,R5525-	BR HIX
R5649-	R6712-
R6711-	R6601-
R5883-	R6690-
R4630A-,R6385-P	R7376-
R6120-	R7282-
R6120A-	R7282A-

Old part number	New part number
R6179A-	R7282-
R6255-,R6255F-,R6326-	R7433-
R6205-,R6241-	R7433- or R7434-
R6206-,R6242-	R7434-
R5400-,R5400F-,R6337-	R7435-
R5686-	R7435- or R7436-
R5830-,R5687-	R7436-
R7112-,R7113-	R7433-
R7114-,R7115-	R7433- or R7434-
R7116-,R7117-	R7434-
R7118-,R7119-	R7434-
R7232-,R7233-	R7435-
R7234-,R7235-	R7435- or R7436-
R7236-,R7237-	R7436-
R7238-,R7239-	R7436-

## ▶ Racing spark plug caps

Heat range number enters

Plug cap number(color)	Plugs and cables
 <b>TRS1225-B</b> (Blue) ※for HONDA RACE	R7282-,R7282A- φ8mm Cable
 <b>TRS1233A-R</b> (Red) <b>TRS1233B-Y</b> (Yellow) <b>TRS1233C-G</b> (Green)	R7282-,R7282A- φ7mm Cable







▶ Motorcycles

Heat range number enters

Displacement	Model	Spark plug Number	Racing spark plug	other applicable plug number on page (check colour code)
<b>▶ APRILIA</b>				
1000	RSV4 Factory	CR9EB	R0373A-	64
125	RS4 125	CR9EB	R0373A-	
<b>▶ BMW</b>				
1000	S1000RR	LMAR9D-J	R0451C-,R0465B-	63
<b>▶ DUCATI</b>				
1199	1199 Panigale	MAR9A-J	-	-
<b>▶ HONDA</b>				
1000	CBR1000RR ('08.7~)	IMR9E-9HES	R0409B-,R0459A-	64
	CBR1000RR SP	IMR9E-9HES	R0409B-,R0459A-	
	CBR1000RR SP2	SILMAR10C9S	R0451C-,R0465B-	
600	CBR600RR ('09~)	IMR9E-9HES	R0409B-,R0459A-	64
450	CRF450R ('08.10~)	SILMAR9A9S	R0451C-	63
	CRF450RX	SILMAR9A9S	R0451C-	
250	CBR250R ('88.5~)	CR9EH-9	R0409B-	64
	CBR250R ('11.3~)	SIMR8A9	R0373A-	64
	CBR250RR ('91.1~)	CR9EH-9	R0409B-	64
	CBR250RR ('17.5~)	SILMAR8C9	R0451C-	63
	CRF250R ('04.8~'09.8)	R0409B-8	R0409B-	64
	CRF250R ('09.8~)	R0451B-8	R0451B-	63
	NSF250R	R0452A-10	R0452A-,R0451C-	63
	VTR	CR8EH-9	R0409B-	64
	CRF150R/R II	CR8EH-9	R0409B-	
	125	CBR125R	CR8E	R0373A-
100	CRF125F	DPR8EA-9	-	-
	CRF100F	CR7HSA	-	-
	NSF100	CR8HSA	-	-
85	CR85R	BR10EG	R7376-	60
50	NSR mini	BR8ES	R7376-	
<b>▶ HUSQVARNA</b>				
450	FC450	LKAR8AI-9	R2558E-	62
350	FC350	LKAR8AI-9	R2558E-	
250	FC250	LKAR8AI-9	R2558E-	
	FE250	CR9EKB	R0373A-	64
125	TE250/TC250	CR8EB	R0373A-	60
	TC125	BR9EG	R7376-	
85	TC85	BR9ECMVX	-	-
<b>▶ KAWASAKI</b>				
1000	Ninja ZX-10R ('04~'15)	CR9EIA-9	R0373A-,R0045Q-	64
	Ninja ZX-10R ('16.10~)	SILMAR9B9	R0451C-,R0465B-	63
600	ZX-6R	CR9E	R0373A-,R0045Q-	64
450	KX450F	CPR8EB-9	R0373A-	
250	KX250F ('11~)	CPR8EB-9	R0373A-	
	KX250F ('05.9~'10)	CR8E	R0373A-	
	Ninja250 ('18.2~)	SILMAR9B9	R0451C-	63
	Ninja250 ('13.2~18.2)	CR8E	R0373A-	64
	Ninja250R	CR8E	R0373A-	
	Ninja250SL	MR8CI-8	R0373A-	
	Z250	CR8E	R0373A-	



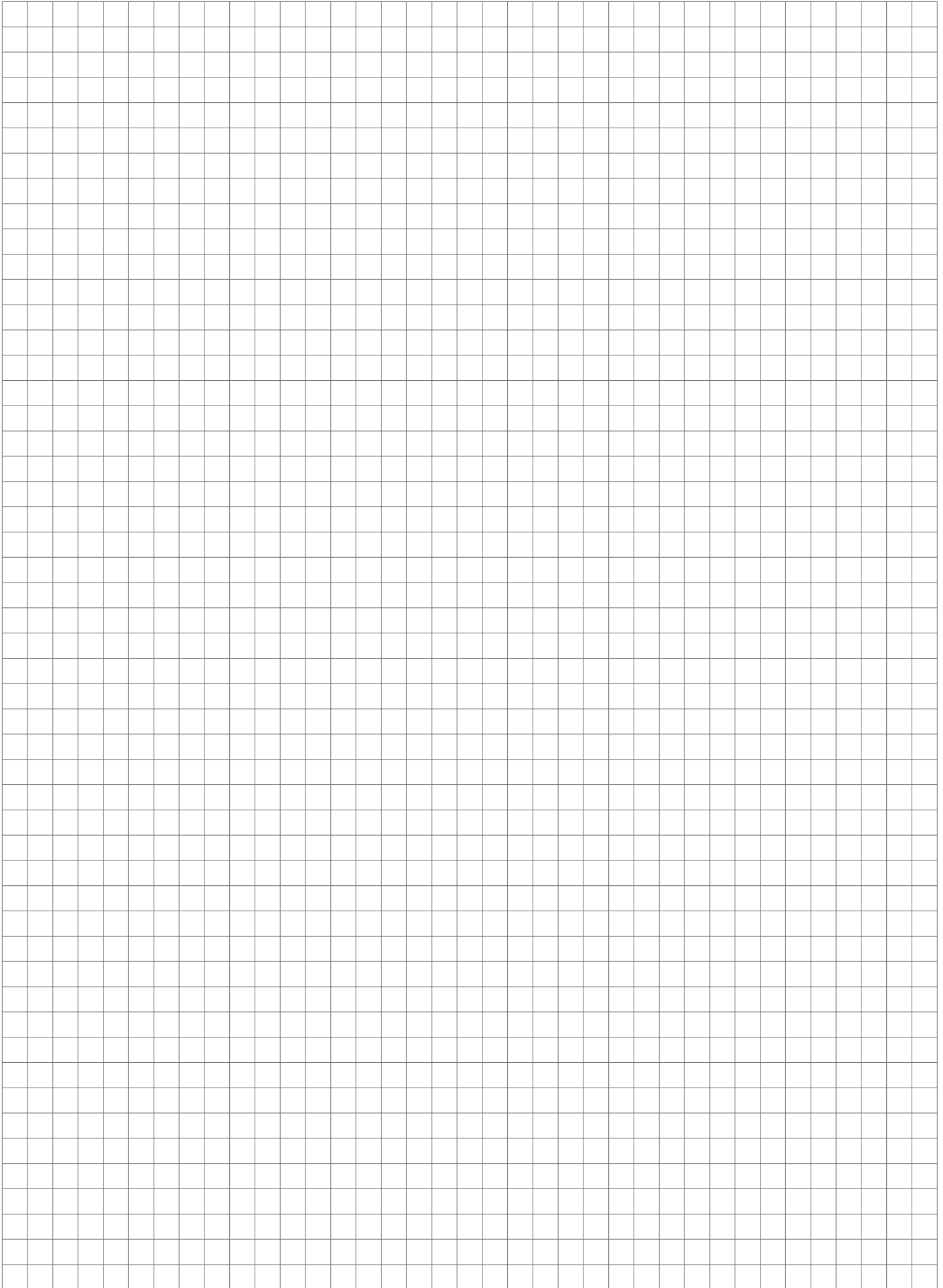
**CAUTION**

Choose appropriate heat range and firing end of racing spark plugs according to engine modification or driving condition.  
(Please refer to the first page.)

Heat range number enters

Displacement	Model	Spark plug Number	Racing spark plug	other applicable plug number on page (check colour code)	
<b>▶ KAWASAKI</b>					
85	KX85/II	R6252K-105	R7376-	60	
65	KX65	BR10EG	R7376-		
<b>▶ KTM</b>					
450	450SMR ('08~'12)	CR9EKB	R0373A-	64	
	450SMR ('13~)	LKAR8A-9	R2558E-	62	
	450SX-F	CR9EKB	R0373A-	64	
390	RC390	LKAR8A-9	R2558E-	62	
350	350SX-F	LMAR9AI-8	R0451C-	63	
250	250DUKE ('18~)	LKAR8A-9	R2558E-	62	
	250EXC	BR7ES	R7376-	60	
	250EXC-F ('06~)	CR9EKB	R0373A-	64	
	250EXC-F ('17~)	LMAR9AI-10	R0451C-	63	
	250SX-F ('06~'12)	CR9EKB	R0373A-	64	
	250SX-F ('13~)	LMAR9AI-8	R0451C-	63	
	RC250/R	LKAR8A-9	R2558E-	62	
	125	125SX ('08~)	BR9ECMVX	-	-
	85	85SX ('07~)	BR9ECMVX	-	-
65	65SX ('03~'08)	BR8ECM	-	-	
	65SX ('09~)	LR8B	-	-	
50	50SX ('10~)	LR8B	-	-	
<b>▶ SUZUKI</b>					
1000	GSX-R1000 ('07~)	CR9EIA-9	R0373A-, R0045Q-	64	
600	GSX-R600 ('08~)	CR9EIA-9	R0373A-, R0045Q-		
450	RM-Z450 ('07.10~)	DIMR8A10	R0373A-	60	
250	RM250 ('01.6~)	BR8EG	R7376-		
	RM-Z250 ('07~'12)	CR8EIA-10	R0373A-		
	RM-Z250 ('13~)	CR8EIB-10	R0373A-		
125	RM125 ('96.8~)	R6918B-8	R6918B-	60	
85	RM85L	BR10ES	R7376-	60	
50	DR-Z50	CR7HS	-		
<b>▶ TRIUMPH</b>					
675	Daytona 675R	CR9EIA-9	R0373A-	64	
<b>▶ YAMAHA</b>					
1000	YZF-R1 ('04~'08)	CR9EK	R0373A-, R0045Q-	64	
	YZF-R1 ('09~)	LMAR9E-J	R0451C-, R0465B-	63	
600	YZF-R6	CR10EK	R0373A-, R0045Q-	64	
450	YZ450F/FX	CR8E	R0373A-		
300	YZF-R3 ('18.3~)	LMAR8A-9	R0451C-	63	
	YZF-R3 ('15~'18)	CR8E	R0373A-	64	
250	YZ250	BR8EG	R7376-	60	
	YZF-R25 ('18~)	LMAR8A-9	R0451C-	63	
	YZF-R25 ('15~'17)	CR9E	R0373A-	64	
	YZ250F ('19~)	LMAR9E-J	R0451C-	63	
	YZ250F ('14~'18)	LMAR8G	R0451C-		
	YZ250F ('01~'13)	CR8E	R0373A-	64	
	YZ250FX	LMAR8G	R0451C-	63	
	WR250R/X	CR9EK	R0373A-	64	
	125	YZ125 ('05.7~)	BR9EVX	R7376-	60
	85	YZ85/LW	BR10EG	R7376-	
50	TT-R50E	CR7HSA	-		







IGNITION  
PARTS



Stock No.

Quick No.

Upgrade ↑

Stock No. ↑

**A.J.S.**

Chipmunk 50		50	1	2003-		0.6	BP4HS	3611			
DD50 Regal Raptor		50	1	2003-		0.7	CR7HS	7223		CR7HIX	7544
JSM 50 Motard		50	1	2011-		0.6	BR8ES	5422	Q207	BR8EIX	5044
Coyote 80		80	1	2003-		0.6	BP6HS	4511		BPR6HIX	4085
Cougar 100		100	1	2003-	JINCHENG	0.6	BP7HS	5111		BPR7HIX	5944
DD100 Regal Raptor		100	1	2003-		0.7	CR7HS	7223		CR7HIX	7544
CR3-125 Super Sports		125	1	-		0.6	DR8EA	7162		DR8EIX	6681
JS 125Y Tiger		125	1	2003-		0.7	DR8ES	5423	Q217	DR8EIX	6681
JSM 125 Motard		125	1	2009-2015		0.6	CR6HSA	2983		CR6HIX	7274
JSM 125 Trail		125	1	2009-2014		0.6	CR6HSA	2983		CR6HIX	7274

**ADIVA**

Adiva 125		125	1	2001-		0.6	CR8EB	7784			
Adiva AD 125		125	1	2008-2010	15hp	0.8	CR9E	6263	Q227	CR9EIX	3521
Adiva AD 200		200	1	-	19hp	0.7	CR7E	4578	Q225	CR7EIX	7385
Adiva 250		250	1	-		0.8	CR8EB	7784			
Adiva AD 250		250	1	2007-2007	22hp	0.8	CR9E	6263	Q227	CR9EIX	3521
Adiva AD 250 ie		250	1	2008-2010	22hp	0.8	CR9E	6263	Q227	CR9EIX	3521
Adiva AD 300		300	1	-	30hp	0.7	CR7E	4578	Q225	CR7EIX	7385

**ADLY**

Citybird		50	1	1997-		0.6	BPR7HS	6422		BPR7HIX	5944
Crosser		50	1	1997-		0.6	BPR7HS	6422		BPR7HIX	5944
Fox		50	1	1997-		0.6	BPR7HS	6422		BPR7HIX	5944
Jet X1		50	1	1997-		0.6	BPR7HS	6422		BPR7HIX	5944
Pista		50	1	1997-		0.6	BPR7HS	6422		BPR7HIX	5944
Predator		50	1	1997-		0.6	BPR7HS	6422		BPR7HIX	5944
Cat		100	1	1997-		0.6	BPR7HS	6422		BPR7HIX	5944
Jet		100	1	1997-		0.6	BPR7HS	6422		BPR7HIX	5944
Predator		100	1	1997-		0.6	BPR7HS	6422		BPR7HIX	5944
X1		100	1	1997-		0.6	BPR7HS	6422		BPR7HIX	5944
Activator 125		125	1	1999-		0.5	CR7HSA	4549		CR7HIX	7544
AJP 125 PR4		125	1	2003-		0.9	DPR7EA-9	5129	Q220	DPR7EIX-9	7803
Cat 125		125	1	1997-		0.5	CR7HSA	4549		CR7HIX	7544

**AJP**

Enduro 125		125	1	2003-		0.8	DR8ES	5423	Q217	DR8EIX	6681
PR3 125 Enduro		125	1	2008-2015		*	DR8EIX**	6681			
PR4 125 Limited Edition		125	1	2011-		*	DR8EIX**	6681			
Supermoto 125		125	1	2003-		0.8	DR8ES	5423	Q217	DR8EIX	6681
Enduro 200		200	1	2003-		0.8	DR8ES	5423	Q217	DR8EIX	6681
PR3 200 Supermoto	SM	200	1	2010-		*	DR8EIX**	6681			
PR4 200 Limited Edition		200	1	2011-		*	DR8EIX**	6681			
PR4 200 Supermoto	SM	200	1	2011-		*	DR8EIX**	6681			
PR4 200 Supermoto Pro	SM	200	1	2011-		*	DR8EIX**	6681			
Supermoto 200		200	1	2003-		0.8	DR8ES	5423	Q217	DR8EIX	6681
P 250 Cross		250	1	2004-		0.6	CR8EB	7784			
PR5 250 Supermoto		250	1	2010-2015		*	DR8EIX**	6681			

**ALFER**

Trial		125	1	2000-		0.7	CR9EB	6955			
VR 250 Super Motard	VR	250	1	2000-		0.6	BR8ES	5422	Q207	BR8EIX	5044
TX-300		300	1	-		0.5	B8ES	2411	Q201	BR8EIX	5044

\* Bitte Elektrodenabstand nach Angaben des Herstellers justieren

\* Please adjust the ground electrode gap

\* Veuillez vérifier l'écartement

\* Por favor, ajustar la distancia entre los electrodos

\* Regolare il gap

\*\* Iridium IX Spark Plug is the standard recommendation





Stock No.

Quick No.

Upgrade ↑

Stock No. ↑

**AMERICAN IRON HORSE**

Bandit ST		1573	2	1999-2002		1.0	BPR5ES-11	4424		BPR5EIX-11	2115
Classic SX		1573	2	1999-2002		1.0	BPR5ES-11	4424		BPR5EIX-11	2115
Legend SC		1573	2	1999-2002		1.0	BPR5ES-11	4424		BPR5EIX-11	2115
Outlaw SY		1573	2	1999-2002		1.0	BPR5ES-11	4424		BPR5EIX-11	2115
Slammer SZ		1573	2	1999-2002		1.0	BPR5ES-11	4424		BPR5EIX-11	2115
Stalker SR		1573	2	1999-2002		1.0	BPR5ES-11	4424		BPR5EIX-11	2115
Thunder SW		1573	2	1999-2002		1.0	BPR5ES-11	4424		BPR5EIX-11	2115
Bandit ST		1753	2	1999-2003		1.0	BPR5ES-11	4424		BPR5EIX-11	2115
Classic SX		1753	2	1999-2003		1.0	BPR5ES-11	4424		BPR5EIX-11	2115
Legend SC		1753	2	1999-2003		1.0	BPR5ES-11	4424		BPR5EIX-11	2115
Outlaw SY		1753	2	1999-2003		1.0	BPR5ES-11	4424		BPR5EIX-11	2115
Slammer SZ		1753	2	1999-2003		1.0	BPR5ES-11	4424		BPR5EIX-11	2115
Stalker SR		1753	2	1999-2003		1.0	BPR5ES-11	4424		BPR5EIX-11	2115
Thunder SW		1753	2	1999-2003		1.0	BPR5ES-11	4424		BPR5EIX-11	2115
Legend SC		1819	2	2004-		1.0	DCPR7E	3932		DCPR7EIX	6046
LSC		1819	2	2004-		1.0	DCPR7E	3932		DCPR7EIX	6046
Outlaw SY		1819	2	2004-		1.0	DCPR7E	3932		DCPR7EIX	6046
Slammer SZ		1819	2	2004-		1.0	DCPR7E	3932		DCPR7EIX	6046
Stalker SR		1819	2	2004-		1.0	DCPR7E	3932		DCPR7EIX	6046
Tejas SJ		1819	2	2004-		1.0	DCPR7E	3932		DCPR7EIX	6046
Texas Chopper SX		1819	2	2004-		1.0	DCPR7E	3932		DCPR7EIX	6046
Bandit ST		1852	2	1999-2003		1.0	BPR5ES-11	4424		BPR5EIX-11	2115
Classic SX		1852	2	1999-2003		1.0	BPR5ES-11	4424		BPR5EIX-11	2115
Legend SC		1852	2	1999-2003		1.0	BPR5ES-11	4424		BPR5EIX-11	2115
Outlaw SY		1852	2	1999-2003		1.0	BPR5ES-11	4424		BPR5EIX-11	2115
Slammer SZ		1852	2	1999-2003		1.0	BPR5ES-11	4424		BPR5EIX-11	2115
Stalker SR		1852	2	1999-2003		1.0	BPR5ES-11	4424		BPR5EIX-11	2115
Thunder SW		1852	2	1999-2003		1.0	BPR5ES-11	4424		BPR5EIX-11	2115
Legend SC		1918	2	2004-		1.0	DCPR7E	3932		DCPR7EIX	6046
Outlaw SY		1918	2	2004-		1.0	DCPR7E	3932		DCPR7EIX	6046
Slammer SZ		1918	2	2004-		1.0	DCPR7E	3932		DCPR7EIX	6046
Stalker SR		1918	2	2004-		1.0	DCPR7E	3932		DCPR7EIX	6046
Tejas SJ		1918	2	2004-		1.0	DCPR7E	3932		DCPR7EIX	6046
Texas Chopper SX		1918	2	2004-		1.0	DCPR7E	3932		DCPR7EIX	6046
Legend SC		2033	2	2003-2004		1.0	DCPR7E	3932		DCPR7EIX	6046
Outlaw SY		2033	2	2003-2004		1.0	DCPR7E	3932		DCPR7EIX	6046
Ranger T SG		2033	2	2003-		1.0	DCPR7E	3932		DCPR7EIX	6046
Slammer SZ		2033	2	2003-2004		1.0	DCPR7E	3932		DCPR7EIX	6046
Stalker SR		2033	2	2003-2004		1.0	DCPR7E	3932		DCPR7EIX	6046
Tejas SJ		2033	2	2003-2004		1.0	DCPR7E	3932		DCPR7EIX	6046
Texas Chopper SX		2033	2	2003-2004		1.0	DCPR7E	3932		DCPR7EIX	6046

**AMERICAN PERFORMANCE CYCLE**

High Roller S		1573	2	-	S&S	1.1	BPR5ES-11	4424		BPR5EIX-11	2115
Spirit S		1573	2	-	S&S	1.1	BPR5ES-11	4424		BPR5EIX-11	2115
High Roller 240		1819	2	-	S&S	1.0	DCPR7E	3932		DCPR7EIX	6046
Hustler 240		1819	2	-	S&S	1.0	DCPR7E	3932		DCPR7EIX	6046
Wild Card 240		1819	2	-	S&S	1.0	DCPR7E	3932		DCPR7EIX	6046
High Roller 280		1918	2	-	S&S	1.0	DCPR7E	3932		DCPR7EIX	6046
Wild Card 280		1918	2	-	S&S	1.0	DCPR7E	3932		DCPR7EIX	6046

**APOLLO**

Explorer Mini Cross 110		125	1	-		0.8	CR7HSA	4549		CR7HIX	7544
-------------------------	--	-----	---	---	--	-----	--------	------	--	--------	------

\* Bitte Elektrodenabstand nach Angaben des Herstellers justieren

\* Please adjust the ground electrode gap

\* Veuillez vérifier l'écartement

\* Por favor, ajustar la distancia entre los electrodos

\* Regolare il gap

\* Iridium IX Spark Plug is the standard recommendation





Stock No.

Quick No.

Upgrade ↑

Stock No. ↑

**APOLLO**

Mini Motocross 110		125	1	-		0.8	CR7HSA	4549		CR7HIX	7544
Ride Mini Motocross 110		125	1	-		0.8	CR7HSA	4549		CR7HIX	7544
Explorer Mini Cross 250		250	1	-		0.9	DP8EA-9	5829		DPR8EIX-9	2202
Mini Motocross 250		250	1	-		0.9	DP8EA-9	5829		DPR8EIX-9	2202
Ride Mini Motocross 250		250	1	-		0.9	DP8EA-9	5829		DPR8EIX-9	2202

**APRILIA**

Amico 25	MK	25	1	1996-		0.5	BR7HS	4737		BR7HIX	7067
AF1 50		50	1	1992-1993	Engine AM3	0.5	B9ES	2611	Q202	BR9EIX	3981
Area 51 Superbike		50	1	1999-2003		0.7	BR8HS	4915	Q212	BR8HIX	7001
Area 51 Tetsuya		50	1	1999-2003		0.7	BR8HS	4915	Q212	BR8HIX	7001
Classic 50		50	1	1995-1997	Engine AM3/5	0.5	B9ES	2611	Q202	BR9EIX	3981
Classic 50		50	1	1997-2002	Engine AM5	0.8	BR8ES	5422	Q207	BR8EIX	5044
Extrema 50		50	1	1993-		0.5	B8ES	2411	Q201	BR8EIX	5044
Gulliver 50		50	1	1995-2001	Air	0.5	BR7HS	4737		BR7HIX	7067
Gulliver 50		50	1	1996-2001	Water fluid	0.7	BR8HS	4915	Q212	BR8HIX	7001
Habana 50		50	1	1999-2002		0.6	BPR8HS	3725		BPR8HIX	6742
Mojito Custom 50		50	1	2002-		0.6	BPR8HS	3725		BPR8HIX	6742
Mojito Custom 50		50	1	2004-	PIAGGIO	0.6	BR10ES	4832		BR10EIX	6801
MX 50		50	1	2002-2004	Engine AM6	0.6	BR9ES	5722		BR9EIX	3981
Rally 50		50	1	1995-2001	Air	0.5	BR7HS	4737		BR7HIX	7067
Rally 50		50	1	1996-2001	Water fluid	0.5	BR8HS	4915	Q212	BR8HIX	7001
Red Rose 50		50	1	1992-1994	Engine AM3	0.5	B9ES	2611	Q202	BR9EIX	3981
RS4		50	1	2011-		0.8	BR8ES	5422	Q207	BR8EIX	5044
RS 50		50	1	1993-1996	Engine AM5	0.5	B8ES	2411	Q201	BR8EIX	5044
RS 50		50	1	1997-2005	Engine AM6	0.8	BR8ES	5422	Q207	BR8EIX	5044
RS 50		50	1	2006-	PIAGGIO	0.6	BR9ES	5722		BR9EIX	3981
RX 50		50	1	1994-1996	Engine AM5	0.5	B9ES	2611	Q202	BR9EIX	3981
RX 50		50	1	1997-2005	Engine AM6	0.6	BR9ES	5722		BR9EIX	3981
RX 50		50	1	2006-	PIAGGIO	0.6	BR9ES	5722		BR9EIX	3981
RX 50		50	1	2014-		*	BR8ES	5422	Q207	BR8EIX	5044
RX 50 Racing		50	1	2003-2004	MINARELLI Engine AM6	0.6	BR9ES	5722		BR9EIX	3981
Scarabeo 50	TGE00	50	1	2009-2014		0.7	ER9EH-N	95748			
Scarabeo 50 2T		50	1	1993-2003		0.5	BR7HS	4737		BR7HIX	7067
Scarabeo 50 2T		50	1	2010-	PIAGGIO	0.6	BR8ES	5422	Q207	BR8EIX	5044
Scarabeo 50 4T		50	1	2001-		0.7	CR8EB	7784			
Scarabeo 50 DiTech		50	1	2000-2004	Engine DiTech	0.6	CPR8E	7411			
Scarabeo 50 Street		50	1	2005-		0.8	BR9ES	5722		BR9EIX	3981
Sonic 50		50	1	1998-2003	Water fluid	0.6	BR8HS	4915	Q212	BR8HIX	7001
Sonic 50		50	1	1998-2003	Air	0.5	BR7HS	4737		BR7HIX	7067
Sonic 50		50	1	2003-		0.6	BR8HS	4915	Q212	BR8HIX	7001
Sonic FT 50 2T		50	1	1998-2001	Air	0.5	BR8HS	4915	Q212	BR8HIX	7001
Sonic GP 50 2T		50	1	1998-2005	Water fluid	0.5	BR8HS	4915	Q212	BR8HIX	7001
Sportcity One		50	1	2008-		0.7	CR8EB	7784			
Sportcity One 50 2T Street		50	1	2008-		0.6	BR9ES	5722		BR9EIX	3981
Sportcity One 50 4T		50	1	2008-		0.7	PMR7A	4259			
SR 50		50	1	1994-2001	MINARELLI Water fluid	0.7	BR8HS	4915	Q212	BR8HIX	7001
SR 50		50	1	1996-1999	Water fluid	0.6	BR8HS	4915	Q212	BR8HIX	7001
SR 50 AC		50	1	1993-2001	MINARELLI Air	0.7	BR7HS	4737		BR7HIX	7067
SR 50 Carb		50	1	2004-	14mm Thread Size / 19mm Thread Reach	0.6	BR9ES	5722		BR9EIX	3981

\* Bitte Elektrodenabstand nach Angaben des Herstellers justieren

\* Please adjust the ground electrode gap

\* Veuillez vérifier l'écartement

\* Por favor, ajustar la distancia entre los electrodos

\* Regolare il gap

\*\* Iridium IX Spark Plug is the standard recommendation





Stock No.

Quick No.

Upgrade ↑

Stock No. ↑

**APRILIA**

<b>SR 50 Di Tech</b>		50	1	2001-2004		0.8	CPR8E	7411			
<b>SR 50 Di Tech Injection</b>		50	1	2005-		0.8	ZMR7AP	6914			
<b>SR 50 i.e. LC</b>		50	1	2000-2004		0.6	CPR8E	7411			
<b>SR 50 i.e. Pure Jet</b>		50	1	2004-		0.8	ZMR7AP	6914			
<b>SR 50 LC</b>		50	1	2000-2003	APRILIA	0.7	BPR8HS	3725		BPR8HIX	6742
<b>SR 50 Motard</b>		50	1	2012-		0.6	BR8ES	5422	Q207	BR8EIX	5044
<b>SR 50 R</b>		50	1	2004-	PIAGGIO	0.6	BR9ES	5722		BR9EIX	3981
<b>SR 50 Racing</b>		50	1	1996-		0.7	BR7HS	4737		BR7HIX	7067
<b>SR 50 Racing &amp; Sport</b>		50	1	2000-	Water fluid	0.7	BPR7HS	6422		BPR7HIX	5944
<b>SR 50 R - Factory</b>		50	1	2004-	PIAGGIO	0.6	CPR8E	7411			
<b>SR 50 R - Factory Replica SBK</b>		50	1	2008-	PIAGGIO	0.6	CPR8E	7411			
<b>SR 50 R - Replica SBK</b>		50	1	2008-		0.6	BR9ES	5722		BR9EIX	3981
<b>SR 50 Stealth</b>		50	1	1996-		0.7	BR7HS	4737		BR7HIX	7067
<b>SR 50 Street</b>		50	1	2004-	PIAGGIO	0.8	BR9ES	5722		BR9EIX	3981
<b>SR 50 WWW</b>		50	1	2001-2002		0.6	BR7HS	4737		BR7HIX	7067
<b>SX 50</b>		50	1	2008-	PIAGGIO 8hp	0.6	BR9ES	5722		BR9EIX	3981
<b>Tuono 50</b>		50	1	2003-2004	Engine AM6	0.6	BR9ES	5722		BR9EIX	3981
<b>Scarabeo 100 2T</b>		100	1	2000-2002		0.7	BR8HS	4915	Q212	BR8HIX	7001
<b>Scarabeo 100 4T</b>		100	1	2000-2013		0.7	CR9E	6263	Q227	CR9EIX	3521
<b>Scarabeo 100 4T</b>		100	1	2014-		0.7	CR9EB	6955			
<b>Atlantic 125</b>		125	1	2003-		0.6	CR8EB	7784			
<b>Classic 125</b>		125	1	1996-2002	15hp	0.8	BR8ES	5422	Q207	BR8EIX	5044
<b>Classic 125</b>		125	1	1996-2002		0.5	BR10EG	3830			
<b>ETX 125</b>		125	1	1999-2002	ROTAX	0.8	BR8ES	5422	Q207	BR8EIX	5044
<b>Habana 125</b>		125	1	1999-2001		0.7	CR7E	4578	Q225	CR7EIX	7385
<b>Habana Custom 125</b>		125	1	1999-2001		0.7	CR7E	4578	Q225	CR7EIX	7385
<b>Leonardo 125</b>		125	1	1995-2001		0.7	CR8E	4854	Q226	CR8EIX	4218
<b>Leonardo 125 ST</b>		125	1	1996-		0.6	CR8E	4854	Q226	CR8EIX	4218
<b>Mojito 125</b>		125	1	2002-2004		0.6	CR8E	4854	Q226	CR8EIX	4218
<b>Mojito Custom 125</b>		125	1	2002-		0.8	CR7EB	4663			
<b>MX 125</b>		125	1	2004-2006		0.8	BR8ES	5422	Q207	BR8EIX	5044
<b>RS 125</b>		125	1	1992-1997		0.5	BR10EG	3830			
<b>RS 125</b>		125	1	1996-	15hp	0.8	BR8ES	5422	Q207	BR8EIX	5044
<b>RS 125</b>		125	1	1996-		0.5	BR10EG	3830			
<b>RS 125</b>		125	1	2017-	15hp	0.7	CR9E	6263	Q227	CR9EIX	3521
<b>RS 125 Extrema</b>		125	1	1993-		0.5	BR10EG	3830			
<b>RS 125 Replica</b>		125	1	1993-		0.5	BR10EG	3830			
<b>RS 125 R Extrema</b>		125	1	1993-	12hp	0.5	BR8ES	5422	Q207	BR8EIX	5044
<b>RS 125 R Extrema</b>		125	1	1993-		0.5	BR10EG	3830			
<b>RS 125 Tuono</b>		125	1	2003-		0.6	BR8ES	5422	Q207	BR8EIX	5044
<b>RS4</b>		125	1	2011-		0.7	CR9EB	6955			
<b>RX 125</b>		125	1	1994-1996		0.5	BR10EG	3830			
<b>RX 125</b>		125	1	2008-	28hp	0.5	BR10EG	3830			
<b>RX 125</b>		125	1	2008-	15hp	0.8	BR8ES	5422	Q207	BR8EIX	5044
<b>Scarabeo 125</b>		125	1	1999-2009		0.6	CR8EB	7784			
<b>Scarabeo 125 GT</b>		125	1	2002-2007		0.6	CR8EB	7784			
<b>Scarabeo 125 i.e.</b>		125	1	2009-		0.7	PMP9B	4717			
<b>Scarabeo Light</b>		125	1	1999-		0.6	CR8E	4854	Q226	CR8EIX	4218
<b>Scarabeo Street</b>		125	1	2006-		0.7	CR9EB	6955			
<b>Sportcity 125</b>		125	1	2004-2008		0.6	CR8E	4854	Q226	CR8EIX	4218
<b>Sportcity Cube 125</b>		125	1	2008-		0.8	CR8EB	7784			
<b>Sportcity One 125</b>		125	1	2008-		0.8	CR7EB	4663			

\*Bitte Elektrodenabstand nach Angaben des Herstellers justieren

\*Please adjust the ground electrode gap

\*Veuillez vérifier l'écartement

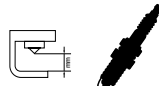
\* Por favor, ajustar la distancia entre los electrodos

\*Regolare il gap

\* Iridium IX Spark Plug is the standard recommendation







Stock No.

Quick No.

Upgrade ↑

Stock No. ↑

**APRILIA**

<b>Sport Pro 125</b>		125	1	1992-1993		0.5	BR10EG	3830			
<b>SR 125</b>		125	1	1999-2002		0.6	BR8ES	5422	Q207	BR8EIX	5044
<b>SR 125 AC</b>		125	1	2000-		0.5	BR8ES	5422	Q207	BR8EIX	5044
<b>SR 125 MAX</b>		125	1	2011-		0.7	CR8EKB	4374			
<b>SR 125 Motard</b>		125	1	2012-		0.8	CR7EB	4663			
<b>SX 125</b>		125	1	2008-	15hp	0.5	BR8ES	5422	Q207	BR8EIX	5044
<b>SX 125</b>		125	1	2008-		0.5	BR10EG	3830			
<b>Tuono 125</b>		125	1	2003-2004	15hp	0.7	BR8ES	5422	Q207	BR8EIX	5044
<b>Leonardo 150</b>		150	1	1997-2002		0.7	CR8E	4854	Q226	CR8EIX	4218
<b>Leonardo 150 ST</b>		150	1	1999-		0.6	CR8E	4854	Q226	CR8EIX	4218
<b>Leonardo 150 ST</b>		150	1	2002-2006		0.8	CR8E	4854	Q226	CR8EIX	4218
<b>Mojito 150</b>		150	1	2003-2006		0.7	CR7EB	4663			
<b>Scarabeo 150</b>		150	1	1999-2003		0.6	CR8E	4854	Q226	CR8EIX	4218
<b>SR 150</b>		150	1	1999-2002		0.6	BR9ES	5722		BR9EIX	3981
<b>Atlantic 200</b>		200	1	2002-2005		0.8	CR8EB	7784			
<b>Scarabeo 200</b>		200	1	2000-2009		0.8	CR8EB	7784			
<b>Scarabeo 200</b>		200	1	2009-		0.6	CR8E	4854	Q226	CR8EIX	4218
<b>Scarabeo 200 i.e.</b>		200	1	2009-		0.7	PMR9B	4717			
<b>Scarabeo Street</b>		200	1	2006-		0.7	CR9EB	6955			
<b>Sportcity 200</b>		200	1	2004-2008		0.6	CR7EB	4663			
<b>Sportcity 200 Cube</b>		200	1	2008-		0.8	CR8EB	7784			
<b>Atlantic 250</b>		250	1	2004-2006		0.7	CR8EB	7784			
<b>Atlantic 250 i.e.</b>		250	1	2004-2009		0.7	PMR8B	6378			
<b>Grande 250</b>	VBD00	250	1	2011-2013	34hp	0.7	PMR8B	6378			
<b>Leonardo 250</b>		250	1	1999-		0.6	DR8EA	7162		DR8EIX	6681
<b>RS 250</b>		250	2	1994-		0.7	BR9ECM	3252		BR9ECMIX	2707
<b>RS 250</b>		250	1	1995-2000		0.5	BR9ECM	3252		BR9ECMIX	2707
<b>Scarabeo 250</b>		250	1	2004-2010		0.7	PMR8B	6378			
<b>Scarabeo 250</b>	M285M	250	1	2004-2006	22hp	0.7	CR8EB	7784			
<b>Scarabeo 250 ie</b>		250	1	2006-		0.7	PMR8A	5851			
<b>Sportcity 250</b>		250	1	2004-		0.7	CR8EB	7784			
<b>Sportcity 250 ie</b>		250	1	2006-2008		0.7	PMR8B	6378			
<b>Atlantic 300</b>		278	1	2009-	22hp	0.7	CR8EKB	4374			
<b>Leonardo 250</b>		278	1	1998-2004		0.7	DR8EA	7162		DR8EIX	6681
<b>Scarabeo 300 Special</b>		278	1	2009-		0.7	CR8EKB	4374			
<b>Sportcity Cube 300</b>		278	1	2008-		0.7	CR8EKB	4374			
<b>Atlantic 300 ie</b>	SPG00	300	1	2010-2013	22hp	0.8	CR8EKB	4374			
<b>Leonardo (PD) (SV)</b>		300	1	1998-2000		0.6	DR7EA	7839		DR7EIX	5686
<b>Leonardo 300</b>		300	1	2004-2007		0.6	DR7EA	7839		DR7EIX	5686
<b>Leonardo ST</b>		300	1	2005-		0.6	DR8EA	7162		DR8EIX	6681
<b>Scarabeo</b>		300	1	2009-		0.7	CR8EKB	4374			
<b>Scarabeo Special</b>		300	1	-		0.7	CR8EKB	4374			
<b>Sportcity 300 ie Cube</b>		300	1	2008-		0.7	CR8EKB	4374			
<b>Sportcity 300 ie Cube</b>	VBL00	300	1	2009-2013	23hp	0.8	CR8EKB	4374			
<b>SR 300 MAX</b>		300	1	2011-		0.7	CR8EKB	4374			
<b>Atlantic 400 ie</b>	VR000	400	1	2006-2009	33hp	0.8	CR7EKB	4455			
<b>Atlantic Sprint</b>		400	1	2006-		0.7	CR7EKB	4455			
<b>Scarabeo 400</b>		400	1	2007-		0.8	CR7EKB	4455			
<b>MXV 4.5</b>		450	2	2009-2015		0.7	CR8EKB	4374			
<b>RXV 4.5</b>		450	2	2006-2013		0.7	CR8EKB	4374			
<b>SXV 4.5</b>		450	2	2006-2015		0.7	CR8EKB	4374			
<b>Atlantic 500</b>		500	1	2002-2004	37hp	0.7	CR7EKB	4455			

\* Bitte Elektrodenabstand nach Angaben des Herstellers justieren

\* Please adjust the ground electrode gap

\* Veuillez vérifier l'écartement

\* Por favor, ajustar la distancia entre los electrodos

\* Regolare il gap

\*\* Iridium IX Spark Plug is the standard recommendation





Stock No.

Quick No.

Upgrade ↑

Stock No. ↑

**APRILIA**

<b>Atlantic 500 Sprint</b>		500	1	2002-2008	37hp	0.8	CR7EKB	4455			
<b>Scarabeo 500</b>	RT00	500	1	2002-2005		0.8	CR7EKB	4455			
<b>Scarabeo 500 ABS</b>		500	1	2004-2006		0.7	CR7EKB	4455			
<b>RXV 5.5</b>		550	2	2006-2013		0.7	CR8EKB	4374			
<b>SXV 5.5</b>		550	2	2006-2015		0.7	CR8EKB	4374			
<b>Moto 650 Moto 6.5</b>		650	1	1995-2002		0.6	D8EA	2120	Q216	DR8EIX	6681
<b>Pegaso 650</b>		650	1	1992-1995		0.7	DR8EA	7162		DR8EIX	6681
<b>Pegaso 650</b>		650	1	1993-2000		0.6	D8EA	2120	Q216	DR8EIX	6681
<b>Pegaso 650 Cube</b>		650	1	1996-2000		0.7	DR8EA	7162		DR8EIX	6681
<b>Pegaso 650 Factory</b>		650	1	2007-2009		0.6	CR7E	4578	Q225	CR7EIX	7385
<b>Pegaso 650 i.e.</b>		650	1	2001-2005	27hp	0.7	DR8EB	4855			
<b>Pegaso 650 i.e.</b>		650	1	2001-2004	12mm Thread Size / 19mm Thread Reach 34hp	0.7	DR8EB	4855			
<b>Pegaso 650 Strada</b>		650	1	2005-		0.6	CR7E	4578	Q225	CR7EIX	7385
<b>Pegaso 650 Trail</b>		650	1	2006-2009		0.6	CR7E	4578	Q225	CR7EIX	7385
<b>Pegaso 650 Strada</b>		660	1	2006-2009		0.6	CR7E	4578	Q225	CR7EIX	7385
<b>Dorsoduro 750</b>	SM	750	2	2008-2016		0.8	CR7EKB	4455			
<b>Dorsoduro 750 Factory</b>	SM	750	2	2007-2016		0.8	CR7EKB	4455			
<b>Shiver 750</b>	RA	750	2	2007-2016		0.8	CR7EKB	4455			
<b>Shiver 750 GT</b>		750	2	2009-		0.8	CR7EKB	4455			
<b>SL 750 Shiver</b>		750	2	2007-		0.8	CR7EKB	4455			
<b>Mana 850</b>		850	2	2007-2016	Twin Spark 76hp	0.8	CR7EKB	4455			
<b>Mana 850 GT</b>		850	2	2009-2016	Twin Spark 76hp	0.8	CR7EKB	4455			
<b>SRV 850</b>		850	2	2012-		0.8	CR7EKB	4455			
<b>Dorsoduro 900</b>	KB	900	2	2017-	95hp	0.7	CR8EKB	4374			
<b>Shiver 900</b>	KH	900	2	2017-	95hp	0.7	CR8EKB	4374			
<b>ETV 1000 Caponord</b>		1000	2	2001-2008		0.7	DCPR9E	2641		DCPR9EIX	2316
<b>RST 1000 Futura</b>		1000	2	2001-2004		0.7	DCPR9E	2641		DCPR9EIX	2316
<b>RSV 1000</b>		1000	2	1999-2004		0.7	DCPR9E	2641		DCPR9EIX	2316
<b>RSV 1000</b>		1000	2	2005-2009		0.7	DCPR9E	2641		DCPR9EIX	2316
<b>RSV 1000 Mille</b>		1000	2	1998-2000		0.6	DCPR8E	4339		DCPR8EIX	6546
<b>RSV 1000 Mille</b>		1000	2	2001-2003		0.6	DCPR9E	2641		DCPR9EIX	2316
<b>RSV 1000 Mille Factory</b>		1000	2	2004-2005		0.6	DCPR9E	2641		DCPR9EIX	2316
<b>RSV 1000 Mille R</b>		1000	2	1999-2001		0.6	DCPR8E	4339		DCPR8EIX	6546
<b>RSV 1000 Mille R</b>		1000	2	2002-2005		0.6	DCPR9E	2641		DCPR9EIX	2316
<b>RSV 1000 Mille SP</b>		1000	2	2000-		1.1	R0045Q-10	4216			
<b>RSV 1000 Mille Tuono</b>		1000	2	2002-2003		0.6	DCPR9E	2641		DCPR9EIX	2316
<b>RSV 1000 Mille Tuono Fighter</b>		1000	2	2003-		0.6	DCPR9E	2641		DCPR9EIX	2316
<b>RSV 1000 Mille Tuono R</b>		1000	2	2002-2003		0.6	DCPR9E	2641		DCPR9EIX	2316
<b>RSV 1000 Mille Tuono Racing</b>		1000	2	2003-		0.6	DCPR9E	2641		DCPR9EIX	2316
<b>RSV 1000 R</b>		1000	2	2000-2004		0.7	DCPR9E	2641		DCPR9EIX	2316
<b>RSV 1000 R</b>		1000	2	2004-		0.6	DCPR9E	2641		DCPR9EIX	2316
<b>RSV 1000 R Factory</b>		1000	2	2004-		0.6	DCPR9E	2641		DCPR9EIX	2316
<b>RSV 1000 R Factory</b>		1000	2	2005-2009		0.7	DCPR9E	2641		DCPR9EIX	2316
<b>RSV 1000 R NERA</b>		1000	2	2004-		0.6	DCPR9E	2641		DCPR9EIX	2316
<b>RSV 1000 SP</b>		1000	2	1999-2000		1.1	R0045Q-10	4216			
<b>RSV 1000 Tuono R</b>		1000	2	2002-		0.6	DCPR9E	2641		DCPR9EIX	2316
<b>RSV 1000 Tuono V4</b>		1000	2	2011-		0.7	CR9EKB	2305			
<b>RSV 1000 Tuono V4R</b>		1000	2	2011-		0.7	CR9EKB	2305			
<b>RSV4 1000 APRC R</b>		1000	4	2011-		0.7	CR9EB	6955			

\* Bitte Elektrodenabstand nach Angaben des Herstellers justieren

\* Please adjust the ground electrode gap

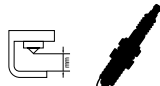
\* Veuillez vérifier l'écartement

\* Por favor, ajustar la distancia entre los electrodos

\* Regolare il gap

\* Iridium IX Spark Plug is the standard recommendation





Stock No.

Quick No.

Upgrade ↑

Stock No. ↑

**APRILIA**

<b>RSV4 1000 APRC R Factory</b>		1000	4	2011-		0.7	CR9EB	6955			
<b>RSV4 1000 Factory</b>		1000	4	2009-		0.7	CR9EB	6955			
<b>RSV4 1000 Factory SPRC SE</b>		1000	4	2010-		0.7	CR9EB	6955			
<b>RSV4 1000 R</b>		1000	4	2010-		0.7	CR9EB	6955			
<b>SL 1000 Falco</b>	PA000	1000	2	1999-2004		0.7	DCPR9E	2641		DCPR9EIX	2316
<b>Tuono 1000</b>		1000	4	2002-2004		0.7	DCPR9E	2641		DCPR9EIX	2316
<b>Tuono 1000 R</b>		1000	4	2005-2010		0.7	DCPR9E	2641		DCPR9EIX	2316
<b>Tuono 1000 R Factory</b>		1000	4	2005-2010		0.7	DCPR9E	2641		DCPR9EIX	2316
<b>Tuono Factory</b>		1000	2	2006-		0.6	DCPR9E	2641		DCPR9EIX	2316
<b>Tuono V4 R</b>		1000	4	2011-2014		0.8	CR9EKB	2305			
<b>RSV4 Factory</b>		1100	4	2019-	217hp Water fluid	0.7	CR9EKB	2305			
<b>Tuono 1100 V4</b>		1100	4	2011-		0.7	CR9EKB	2305			
<b>Tuono 1100 V4 Factory</b>		1100	4	2015-	175hp	0.7	CR9EKB	2305			
<b>Tuono 1100 V4 RR</b>		1100	4	2015-	175hp	0.7	CR9EKB	2305			
<b>Caponord 1200</b>		1200	2	2013-	Twin Spark	0.7	CR8EKB	4374			
<b>Dorsoduro 1200</b>		1200	2	2010-		0.7	CR9EKB	2305			

**ATALA**

<b>Byte</b>		50	1	-		0.6	B7HS	5110		BR7HIX	7067
<b>Byte 25</b>		50	1	1996-		0.6	BPR6HS	7022		BPR6HIX	4085
<b>Byte 50</b>		50	1	1996-		0.6	BPR6HS	7022		BPR6HIX	4085
<b>Carosello</b>		50	1	-		0.6	B7HS	5110		BR7HIX	7067
<b>Hacker</b>		50	1	-		0.6	BPR6HS	7022		BPR6HIX	4085
<b>Hacker AT12</b>		50	1	1996-		0.5	BPR6HS	7022		BPR6HIX	4085
<b>Hacker AT12 Racing</b>		50	1	1996-		0.5	BPR6HS	7022		BPR6HIX	4085
<b>Hacker AT12 Racing LC</b>		50	1	1996-	Water fluid	0.5	BPR6HS	7022		BPR6HIX	4085
<b>Hacker Racing</b>		50	1	-		0.6	BPR6HS	7022		BPR6HIX	4085
<b>Master LF</b>		50	1	1996-		0.5	B6HS	4510		BR6HIX	3419
<b>Racing</b>		50	1	1996-		0.5	BPR6HS	7022		BPR6HIX	4085
<b>Skeggia</b>		50	1	1998-		0.6	BPR6HS	7022		BPR6HIX	4085

**ATK**

<b>50 Mini Cross</b>		50	1	1999-2001		0.5	B7HS	5110		BR7HIX	7067
<b>50 MX</b>		50	1	1999-2003		0.5	B7HS	5110		BR7HIX	7067
<b>125</b>		125	1	1999-2003	Water fluid	0.5	B10ES	7928		BR10EIX	6801
<b>125 Enduro</b>		125	1	2003-	Water fluid	0.7	D8EA	2120	Q216	DR8EIX	6681
<b>250</b>		250	1	1995-2003	Water fluid	0.5	B8ES	2411	Q201	BR8EIX	5044
<b>260</b>		260	1	1995-2002	Water fluid	0.5	B8ES	2411	Q201	BR8EIX	5044
<b>450</b>		450	1	2003-2003	Air	0.5	B8ES	2411	Q201	BR8EIX	5044
<b>500 Dirt Track</b>		490	1	1999-2003		0.5	D8EA	2120	Q216	DR8EIX	6681
<b>500 Dirt Track</b>		500	1	1999-2003		0.7	D8EA	2120	Q216	DR8EIX	6681
<b>500 Enduro</b>		500	1	1998-2003		0.7	D8EA	2120	Q216	DR8EIX	6681
<b>500 Supermotard</b>		500	1	2001-2002		0.5	D8EA	2120	Q216	DR8EIX	6681
<b>604</b>		560	1	1993-		0.5	D8EA	2120	Q216	DR8EIX	6681
<b>600 Dirt Track</b>		600	1	1998-2003	Air	0.7	D8EA	2120	Q216	DR8EIX	6681
<b>600 Supermotard</b>		600	1	2001-2002		0.7	D8EA	2120	Q216	DR8EIX	6681
<b>600 Supermotard</b>		600	1	2003-2003		0.8	CR9EK	5600	Q230		
<b>605 Cross Country</b>		600	1	1993-2000		0.5	D8EA	2120	Q216	DR8EIX	6681
<b>605 Dirt Track</b>		600	1	1998-2003		0.5	D8EA	2120	Q216	DR8EIX	6681
<b>605 Enduro</b>		600	1	1993-2003	Air	0.7	D8EA	2120	Q216	DR8EIX	6681
<b>605 Enduro</b>		600	1	1993-2000		0.5	D8EA	2120	Q216	DR8EIX	6681

\*Bitte Elektrodenabstand nach Angaben des Herstellers justieren

\*Please adjust the ground electrode gap

\*Veuillez vérifier l'écartement

\* Por favor, ajustar la distancia entre los electrodos

\*Regolare il gap

\*\* Iridium IX Spark Plug is the standard recommendation





Stock No.

Quick No.

Upgrade ↑

Stock No. ↑

**AT MOTO**

<b>S 3800 (Velo Solex)</b>		50	1	-		0.6	B6HS	4510		BR6HIX	3419
----------------------------	--	----	---	---	--	-----	------	------	--	--------	------

**BAJAJ**

<b>Bonnie 50</b>		50	1	1993-		0.5	B6HS	4510		BR6HIX	3419
<b>Spirit</b>		50	1	1999-		0.5	B6HS	4510		BR6HIX	3419
<b>Sunny 50</b>		50	1	1997-		0.5	B6HS	4510		BR6HIX	3419
<b>KB100</b>		100	1	1993-		0.5	B8ES	2411	Q201	BR8EIX	5044
<b>Chetak</b>		125	1	-		0.6	BP5HS	4111			
<b>Chetak 125 Electr.</b>		125	1	-		0.6	BP6HS	4511		BPR6HIX	4085
<b>Chetak 125 Electr.D</b>		125	1	-		0.6	BP6HS	4511		BPR6HIX	4085
<b>Vespa</b>		125	1	1993-		0.5	B6HS	4510		BR6HIX	3419
<b>Chetak</b>		150	1	-		0.6	BP5HS	4111			
<b>Chetak 150 Classic</b>		150	1	-		0.6	BPR5HS	6222			
<b>Chetak 150 Classic Green</b>		150	1	-		0.6	BPR5HS	6222			
<b>Chetak 150 Classic Sidec</b>		150	1	-		0.6	BPR5HS	6222			
<b>Chetak 150 Electr.</b>		150	1	-		0.6	BPR5HS	6222			
<b>Chetak 150 Electr.D</b>		150	1	-		0.6	BPR5HS	6222			
<b>Pulsar 200 NS</b>		200	1	-	Triple Spark 2x CPR8EA-9 + 1x LKAR8A-9	0.9	CPR8EA-9 LKAR8A-9	2306 4786		CPR8EAIX-9	96067

**BAOTIAN**

<b>BT49QT-11 (Retro)</b>		50	1	-		0.6	CR7HSA	4549		CR7HIX	7544
<b>BT49QT-12C1</b>		50	1	-		0.6	CR7HSA	4549		CR7HIX	7544
<b>BT49QT-12D1</b>		50	1	-		0.6	CR7HSA	4549		CR7HIX	7544
<b>BT49QT-12E1</b>		50	1	-		0.6	CR7HSA	4549		CR7HIX	7544
<b>BT49QT-12F1 (2V)</b>		50	1	-		0.6	CR7HSA	4549		CR7HIX	7544
<b>BT49QT-2</b>		50	1	-		0.6	CR7HSA	4549		CR7HIX	7544
<b>BT49QT-7A1</b>		50	1	-		0.6	CR7HSA	4549		CR7HIX	7544
<b>BT49QT-9D1 / 2</b>		50	1	-		0.6	CR7HSA	4549		CR7HIX	7544
<b>Eagle</b>		50	1	-		*	CR7HSA	4549		CR7HIX	7544
<b>Falcon</b>		50	1	-		*	CR7HSA	4549		CR7HIX	7544
<b>BT110-2</b>		110	1	2004-		0.6	CR7HSA	4549		CR7HIX	7544
<b>BT125QT-2B</b>		125	1	-		0.6	CR7HSA	4549		CR7HIX	7544
<b>BT125T-12</b>		125	1	-		0.6	CR7HSA	4549		CR7HIX	7544
<b>BT125T-12C1</b>		125	1	-		0.6	CR7HSA	4549		CR7HIX	7544
<b>BT125T-2</b>		125	1	-		0.6	CR7HSA	4549		CR7HIX	7544
<b>BT125T-7</b>		125	1	-		0.6	CR7HSA	4549		CR7HIX	7544
<b>BT125T-9</b>		125	1	-		0.6	CR7HSA	4549		CR7HIX	7544
<b>Citybike 125</b>		125	1	2004-		0.6	CR7HSA	4549		CR7HIX	7544
<b>Monza</b>		125	1	-		0.6	CR7HSA	4549		CR7HIX	7544
<b>Tanco 125</b>		125	1	2004-		0.6	CR7HSA	4549		CR7HIX	7544

**BAROSSA MOTOR**

<b>XS125T-13</b>		125	1	2007-		0.6	CR7HSA	4549		CR7HIX	7544
------------------	--	-----	---	-------	--	-----	--------	------	--	--------	------

**BASHAN**

<b>BS 110 GY</b>		110	1	2001-		0.6	C7HSA	4629		CR7HIX	7544
<b>BS 125 GY</b>		125	1	2001-		0.6	D8EA	2120	Q216	DR8EIX	6681
<b>BS 200 GY</b>		200	1	2001-		0.6	D8EA	2120	Q216	DR8EIX	6681
<b>Vixen VX250</b>		250	1	2006-		0.7	DR8EA	7162		DR8EIX	6681

**BEELINE**

<b>Veloce GT 50</b>		50	1	2009-		0.6	C7HSA	4629		CR7HIX	7544
<b>Veloce Racing</b>		50	1	2009-		0.6	C7HSA	4629		CR7HIX	7544

\* Bitte Elektrodenabstand nach Angaben des Herstellers justieren

\* Please adjust the ground electrode gap

\* Veuillez vérifier l'écartement

\* Por favor, ajustar la distancia entre los electrodos

\* Regolare il gap

\* Iridium IX Spark Plug is the standard recommendation





Stock No.

Quick No.

Upgrade ↑

Stock No. ↑

**BELGARDA**

<b>DT</b>		125	1	-	YAMAHA	0.5	B9ES	2611	Q202	BR9EIX	3981
<b>TDR</b>		125	1	-	YAMAHA	0.5	B9ES	2611	Q202	BR9EIX	3981
<b>TZR</b>		125	1	-	YAMAHA	0.5	B9ES	2611	Q202	BR9EIX	3981
<b>TZR 125 R P</b>		125	1	-	YAMAHA	0.5	BR10EIX**	6801			
<b>TZR 125 R S</b>		125	1	-	YAMAHA	0.5	BR10EIX**	6801			

**BENELLI**

<b>3G2</b>		50	1	-		0.5	B6ES	7310			
<b>491</b>		50	1	-	Italy	0.6	BR8ES	5422	Q207	BR8EIX	5044
<b>491 GP-RR</b>		50	1	1999-		0.7	BR7HS	4737		BR7HIX	7067
<b>491 GP-SP</b>		50	1	1999-		0.7	BR7HS	4737		BR7HIX	7067
<b>491 GT</b>		50	1	1997-	Air	0.6	BR7HS	4737		BR7HIX	7067
<b>491 Racing</b>		50	1	1997-	Water fluid	0.6	BR7HS	4737		BR7HIX	7067
<b>491 Rage ST</b>		50	1	2000-		0.7	BR8HS	4915	Q212	BR8HIX	7001
<b>491 SBK</b>		50	1	2000-		0.7	BR8HS	4915	Q212	BR8HIX	7001
<b>491 Sport</b>		50	1	1997-	Water fluid	0.6	BR7HS	4737		BR7HIX	7067
<b>491 ST GP</b>		50	1	2000-		0.7	BR8HS	4915	Q212	BR8HIX	7001
<b>491 Superbike</b>		50	1	1999-	Water fluid	0.6	BR7HS	4737		BR7HIX	7067
<b>49X Quattro Nove</b>		50	1	2008-		0.6	BR8HSA	5539			
<b>49X Road</b>		50	1	2008-		0.6	BR8HSA	5539			
<b>49X Trek</b>		50	1	2008-		0.6	BR8HSA	5539			
<b>AI</b>		50	1	-		0.6	B6HS	4510		BR6HIX	3419
<b>AI</b>		50	1	-		0.5	B6HS	4510		BR6HIX	3419
<b>Cross</b>		50	1	-		0.5	B6ES	7310			
<b>Gentleman</b>		50	1	-		0.5	B5ES	6410			
<b>GT</b>	491	50	1	1997-	Air	0.6	BR8ES	5422	Q207	BR8EIX	5044
<b>K2 AC</b>		50	1	1998-	Air	0.6	BR7HS	4737		BR7HIX	7067
<b>K2 LC</b>		50	1	1999-	Water fluid	0.6	BR7HS	4737		BR7HIX	7067
<b>K2 Namur</b>		50	1	2000-		0.7	BR8HS	4915	Q212	BR8HIX	7001
<b>Laser 50</b>		50	1	-		0.5	B6HS	4510		BR6HIX	3419
<b>LC - Army</b>	491	50	1	1997-		0.6	BR8ES	5422	Q207	BR8EIX	5044
<b>LC cat. Racing &amp; Sport</b>	491	50	1	1999-		0.6	BR8HS	4915	Q212	BR8HIX	7001
<b>LC - Racing</b>	491	50	1	1997-		0.6	BR8ES	5422	Q207	BR8EIX	5044
<b>LC - SBK</b>	491	50	1	1997-		0.6	BR8ES	5422	Q207	BR8EIX	5044
<b>LC - Sport</b>	491	50	1	1997-		0.6	BR8ES	5422	Q207	BR8EIX	5044
<b>Magnum 3V</b>		50	1	-		0.5	B7ES	1111		BR7EIX	6664
<b>Magnum 5V</b>		50	1	-		0.5	B5ES	6410			
<b>Motorella</b>		50	1	-		0.5	B6ES	7310			
<b>Naked 50</b>		50	1	-		0.6	BR8HS	4915	Q212	BR8HIX	7001
<b>Pepe</b>		50	1	1999-		0.6	BR7HS	4737		BR7HIX	7067
<b>Pepe 50 Classic</b>		50	1	2010-		0.6	BR7HS	4737		BR7HIX	7067
<b>Pepe Kat</b>		50	1	1999-		0.6	BR8HS	4915	Q212	BR8HIX	7001
<b>Pepe LX</b>		50	1	1999-		0.6	BR8HS	4915	Q212	BR8HIX	7001
<b>Quattronove X 50 Offroad</b>		50	1	2008-		0.7	BR8HS	4915	Q212	BR8HIX	7001
<b>Quattronove X 50 Onroad</b>		50	1	2008-		0.7	BR8HS	4915	Q212	BR8HIX	7001
<b>Scoothy 50</b>		50	1	-		0.6	B6HS	4510		BR6HIX	3419
<b>Spring 50</b>		50	1	-		0.5	B8ES	2411	Q201	BR8EIX	5044
<b>Stilo</b>		50	1	-		0.5	B6HS	4510		BR6HIX	3419
<b>K2 100</b>		100	1	1999-		0.7	BR8HS	4915	Q212	BR8HIX	7001
<b>125</b>		125	1	-		0.5	B6HS	4510		BR6HIX	3419
<b>Cross 125</b>		125	1	-		0.5	B7ES	1111		BR7EIX	6664
<b>Jarno</b>		125	1	-		0.5	B8ES	2411	Q201	BR8EIX	5044

\*Bitte Elektrodenabstand nach Angaben des Herstellers justieren

\*Please adjust the ground electrode gap

\*Veuillez vérifier l'écartement

\* Por favor, ajustar la distancia entre los electrodos

\*Regolare il gap

\*\* Iridium IX Spark Plug is the standard recommendation





Stock No.

Quick No.

Upgrade ↑

Stock No. ↑

**BENELLI**

<b>Macis 125</b>		125	1	2010-		0.6	CR8E	4854	Q226	CR8EIX	4218
<b>Roadster</b>		125	1	-		0.5	B7ES	1111		BR7EIX	6664
<b>Scooter S</b>		125	1	-		0.5	B7HS	5110		BR7HIX	7067
<b>Scooter S-125</b>		125	1	-		0.5	B7HS	5110		BR7HIX	7067
<b>Velvet Eco 125</b>		125	1	1999-		0.6	CR8E	4854	Q226	CR8EIX	4218
<b>Adiva 150</b>		150	1	-		0.6	CR8EB	7784			
<b>Adiva 150</b>		150	1	2001-2006		0.6	CR8E	4854	Q226	CR8EIX	4218
<b>Macis 150</b>		150	1	2010-		0.6	CR8E	4854	Q226	CR8EIX	4218
<b>Velvet Eco 150</b>		150	1	1999-		0.6	CR8E	4854	Q226	CR8EIX	4218
<b>2CE</b>		250	1	-		0.5	B7ES	1111		BR7EIX	6664
<b>Caffé Nero 250</b>		250	1	2008-		0.9	DPR8EA-9	4929	Q221	DPR8EIX-9	2202
<b>Caffé Nero 250</b>		250	1	2012-		0.6	CR8E	4854	Q226	CR8EIX	4218
<b>Sport Speciale</b>		250	1	-		0.5	B7ES	1111		BR7EIX	6664
<b>Super</b>		250	1	-		0.5	B8ES	2411	Q201	BR8EIX	5044
<b>Velvet</b>		250	1	2000-		0.6	CR8E	4854	Q226	CR8EIX	4218
<b>Velvet 250 MY08</b>		250	1	2008-		0.9	DPR8EA-9	4929	Q221	DPR8EIX-9	2202
<b>Velvet Eco 250</b>		250	1	2000-2007		0.7	DR8EA	7162		DR8EIX	6681
<b>BN 302</b>		300	2	2014-		0.7	CR9EB	6955			
<b>Dusk 400</b>		400	1	2005-		0.7	CR9E	6263	Q227	CR9EIX	3521
<b>Velvet 400</b>		400	1	2003-2004		0.7	CR9E	6263	Q227	CR9EIX	3521
<b>BX 449</b>		449	1	2007-		*	CR8EK	3478			
<b>BN 600 GT</b>		600	4	2014-		0.7	CR9E	6263	Q227	CR9EIX	3521
<b>BN 600 GT</b>	BN	600	4	2014-		0.7	CR9E	6263	Q227	CR9EIX	3521
<b>BN 600 I</b>		600	4	2014-		0.7	CR9E	6263	Q227	CR9EIX	3521
<b>BN 600 R</b>	BN	600	4	2013-		*	CR9E	6263	Q227	CR9EIX	3521
<b>BN 600 R</b>		600	4	2014-		0.7	CR9E	6263	Q227	CR9EIX	3521
<b>Tornado 650</b>		650	1	-		0.5	B8ES	2411	Q201	BR8EIX	5044
<b>Tornado 650 S</b>		650	1	-		0.5	B8ES	2411	Q201	BR8EIX	5044
<b>Tornado 650 SV</b>		650	1	-		0.5	B8ES	2411	Q201	BR8EIX	5044
<b>Due 750</b>		756		2007-		*	CR9E	6263	Q227	CR9EIX	3521
<b>Century Racer 899</b>		900	3	2010-		0.7	CR9E	6263	Q227	CR9EIX	3521
<b>TNT 899</b>		900	3	2007-		0.7	CR9E	6263	Q227	CR9EIX	3521
<b>TNT 899 Cafè Racer</b>		900	3	2009-		0.7	CR9E	6263	Q227	CR9EIX	3521
<b>TNT 899 Sport</b>		900	3	2007-		0.7	CR9E	6263	Q227	CR9EIX	3521
<b>TNT 899 S-Tornado Naked</b>		900	3	2008-		0.7	CR9E	6263	Q227	CR9EIX	3521
<b>Tornado 900</b>		900	3	2000-		0.7	CR9E	6263	Q227	CR9EIX	3521
<b>Tornado 900 IE</b>		900	3	2002-		0.8	CR8EIX**	4218			
<b>Tornado 900 LE</b>		900	3	2005-		0.6	C7E	5096		CR7EIX	7385
<b>Tornado 900 Limited Edition</b>		900	3	2000-		0.7	CR9E	6263	Q227	CR9EIX	3521
<b>Tornado 900 RS</b>		900	3	2005-		0.6	C7E	5096		CR7EIX	7385
<b>Tornado 900 Tre</b>		900	3	2005-		0.6	C7E	5096		CR7EIX	7385
<b>Tre-K 899</b>		900	3	2009-		0.7	CR9EB	6955			
<b>Tre-K 899</b>		900	3	2011-		*	CR9EB	6955			
<b>TNT 1130</b>		1130	3	2004-		0.7	CR9E	6263	Q227	CR9EIX	3521
<b>TNT 1130 Cafe Racer</b>		1130	3	2006-		0.7	CR9E	6263	Q227	CR9EIX	3521
<b>TNT 1130 Century Racer</b>		1130	3	2010-		0.7	CR9E	6263	Q227	CR9EIX	3521
<b>TNT 1130 K</b>	TNT	1130	3	2004-		0.7	CR9E	6263	Q227	CR9EIX	3521
<b>TNT 1130 K</b>		1130	3	2004-		0.7	CR9E	6263	Q227	CR9EIX	3521
<b>TNT 1130 Sport Evo</b>		1130	3	2006-		0.7	CR9E	6263	Q227	CR9EIX	3521
<b>TNT 1130 Titanium</b>	TNT	1130	3	2006-		0.8	CR9E	6263	Q227	CR9EIX	3521
<b>TNT 1130 Titanium</b>		1130	3	2006-		0.8	CR9E	6263	Q227	CR9EIX	3521

\*Bitte Elektrodenabstand nach Angaben des Herstellers justieren

\*Please adjust the ground electrode gap

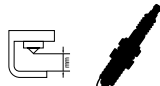
\*Veuillez vérifier l'écartement

\* Por favor, ajustar la distancia entre los electrodos

\*Regolare il gap

\* Iridium IX Spark Plug is the standard recommendation





Stock No.

Quick No.

Upgrade ↑

Stock No. ↑

**BENELLI**

TNT R160		1130	3	2009-		0.7	CR9E	6263	Q227	CR9EIX	3521
TNT R160		1130	3	2010-		0.7	CR9EB	6955			
Tornado 1130 Edition Finale		1130	3	2011-		*	CR9EB	6955			
Tornado 1130 Tre		1130	3	-	163hp	0.7	CR9E	6263	Q227	CR9EIX	3521
Tornado Tre K		1130	3	2006-		0.7	CR9E	6263	Q227	CR9EIX	3521
Tre-K 1130		1130	3	2006-		0.7	CR9E	6263	Q227	CR9EIX	3521
Tre-K 1130 Amazonas		1130	3	2007-		0.7	CR9E	6263	Q227	CR9EIX	3521
Tre-K 1130 Amazonas		1130		2011-		*	CR9EB	6955			
Tre-K 1130 Amazonas		1130		2012-		*	CR9EB	6955			

**BENZHOU**

YY 50 QT		50	1	2008-		0.6	CR7HSA	4549		CR7HIX	7544
YY 125 T		125	1	-		0.6	CR7HSA	4549		CR7HIX	7544
YY 150		150	1	-		0.6	CR7HSA	4549		CR7HIX	7544
YY 250		250	1	2007-		0.6	DR8EA	7162		DR8EIX	6681

**BETA**

Alp 50		50	1	1993-		0.5	B8ES	2411	Q201	BR8EIX	5044
Ark 50 AC		50	1	1997-	Air	0.6	BR7HS	4737		BR7HIX	7067
Ark 50 AC One		50	1	2008-	Air	0.6	BR8HS	4915	Q212	BR8HIX	7001
Ark 50 AC Paddock		50	1	2009-	Air	0.6	BR8HS	4915	Q212	BR8HIX	7001
Ark 50 AC Tribe		50	1	2009-	Air	0.6	BR8HS	4915	Q212	BR8HIX	7001
Ark 50 K Serie		50	1	-		0.6	BR8HS	4915	Q212	BR8HIX	7001
Ark 50 LC		50	1	-	Water fluid	0.6	BR8HS	4915	Q212	BR8HIX	7001
Ark 50 LC		50	1	1997-	Water fluid	0.6	BR8HS	4915	Q212	BR8HIX	7001
Ark 50 LC One		50	1	2009-	Water fluid	0.6	BR8HS	4915	Q212	BR8HIX	7001
Ark 50 LC Paddock		50	1	2009-	Water fluid	0.6	BR8HS	4915	Q212	BR8HIX	7001
Ark 50 LC RR		50	1	2009-	Water fluid	0.6	BR8HS	4915	Q212	BR8HIX	7001
Ark 50 LC Tribe		50	1	2009-	Water fluid	0.6	BR8HS	4915	Q212	BR8HIX	7001
Ark 50 Limited LC		50	1	-	Water fluid	0.6	BR8HS	4915	Q212	BR8HIX	7001
Ark 50 RR		50	1	-		0.6	BR8HS	4915	Q212	BR8HIX	7001
Ark 50 Skull		50	1	2009-		0.6	BR8HS	4915	Q212	BR8HIX	7001
Ark 50 X Type		50	1	-		0.6	BR8HS	4915	Q212	BR8HIX	7001
Bad		50	1	-		0.5	B9ES	2611	Q202	BR9EIX	3981
Chrono 50		50	1	1995-		0.5	BR7HS	4737		BR7HIX	7067
Chrono 502		50	1	1995-		0.5	BR7HS	4737		BR7HIX	7067
Crono		50	1	-		0.5	BR7HS	4737		BR7HIX	7067
Eikon		50	1	1998-		0.6	BR8HS	4915	Q212	BR8HIX	7001
Enduro 50		50	1	-		0.7	BR10ES	4832		BR10EIX	6801
KR-50		50	1	-		0.5	B6ES	7310			
Minicross 10/10		50	1	2000-		0.5	B7HS	5110		BR7HIX	7067
Minicross 12/15		50	1	2000-		0.5	B7HS	5110		BR7HIX	7067
Minitrail		50	1	2000-		0.5	B7HS	5110		BR7HIX	7067
Motard 50		50	1	-		0.6	BR9ES	5722		BR9EIX	3981
Motard 50 Alu		50	1	-		0.6	BR9ES	5722		BR9EIX	3981
Motard 50 Racing		50	1	-		0.6	BR9ES	5722		BR9EIX	3981
MX 50		50	1	1993-		0.5	B9ES	2611	Q202	BR9EIX	3981
Quadra 50		50	1	1995-		0.6	BR7HS	4737		BR7HIX	7067
R10		50	1	-		0.5	B7HS	5110		BR7HIX	7067
R12		50	1	-		*	B7HS	5110		BR7HIX	7067
REV 50		50	1	2004-		0.5	B9ES	2611	Q202	BR9EIX	3981
RK 6-50		50	1	-		0.5	B8ES	2411	Q201	BR8EIX	5044
RR 50 Enduro		50	1	-		0.5	B10ES	7928		BR10EIX	6801

\*Bitte Elektrodenabstand nach Angaben des Herstellers justieren

\*Please adjust the ground electrode gap

\*Veuillez vérifier l'écartement

\* Por favor, ajustar la distancia entre los electrodos

\*Regolare il gap

\*\* Iridium IX Spark Plug is the standard recommendation





Stock No.

Quick No.

Upgrade ↑

Stock No. ↑

**BETA**

RR 50 Enduro		50	1	1998-2005		0.7	BR10ES	4832		BR10EIX	6801
RR 50 Enduro		50	1	2009-		0.6	BR9ES	5722		BR9EIX	3981
RR 50 Enduro Racing		50	1	2009-		0.6	BR9ES	5722		BR9EIX	3981
RR 50 Enduro Standard		50	1	2009-		0.6	BR9ES	5722		BR9EIX	3981
RR 50 Motard		50	1	2000-		0.6	BR9ES	5722		BR9EIX	3981
RR 50 Motard Standard		50	1	2009-		0.6	BR9ES	5722		BR9EIX	3981
RR 50 Motard Track		50	1	2009-		0.6	BR9ES	5722		BR9EIX	3981
Supermotard 50		50	1	-		0.5	B10ES	7928		BR10EIX	6801
Supermotard 50		50	1	2002-2005		0.7	BR10ES	4832		BR10EIX	6801
Supermoto 50		50	1	-		0.7	BR10ES	4832		BR10EIX	6801
Super Trail 50		50	1	-		0.5	B8ES	2411	Q201	BR8EIX	5044
Tempo		50	1	-		0.5	BR7HS	4737		BR7HIX	7067
Tempo 50		50	1	1994-		0.5	BR7HS	4737		BR7HIX	7067
Tempo 50		50	1	1996-		0.5	BR7HS	4737		BR7HIX	7067
TR-50		50	1	-		0.5	B6ES	7310			
Zero 50		50	1	-		0.5	B9ES	2611	Q202	BR9EIX	3981
Zero Mini 50		50	1	-		0.5	B9ES	2611	Q202	BR9EIX	3981
Enduro 72		70	1	-		0.6	BR10HIX**	6692			
Supermoto 72		70	1	-		0.6	BR10HIX**	6692			
EVO 80		80	1	2008-		0.6	BR8ES	5422	Q207	BR8EIX	5044
EVO 80 JUNIOR		80	1	2008-		0.6	BR8ES	5422	Q207	BR8EIX	5044
M4 4-T		80	1	-		0.8	CR9EK	5600	Q230		
REV 80		80	1	2004-		0.5	B9ES	2611	Q202	BR9EIX	3981
Zero	REV	80	1	2004-		0.5	B9ES	2611	Q202	BR9EIX	3981
Zero Mini	REV	80	1	2004-		0.5	B9ES	2611	Q202	BR9EIX	3981
Minicross 107 R107 4T		107	1	-		0.7	C7HSA	4629		CR7HIX	7544
Dougie Lampkin Replica		124	1	-		0.5	B8ES	2411	Q201	BR8EIX	5044
Alp 125		125	1	-		0.6	DR8EA	7162		DR8EIX	6681
Alp 125		125	1	-2006		0.8	CR7HSA	4549		CR7HIX	7544
Alp 125		125	1	2007-		0.8	CR7HSA	4549		CR7HIX	7544
Alp 125 2T		125	1	1998-1999		0.5	BPR7ES	2023		BPR7EIX	4055
Alp 125 4T		125	1	2000-		0.7	DR8EA	7162		DR8EIX	6681
E6G		125	1	-		0.5	B7HS	5110		BR7HIX	7067
Eikon 125		125	1	1999-		0.9	DPR7EA-9	5129	Q220	DPR7EIX-9	7803
Eikon 125		125	1	1999-		0.6	DR8EA	7162		DR8EIX	6681
Enduro		125	1	-		0.5	B7HS	5110		BR7HIX	7067
Euro Cruiser		125	1	-		0.7	DR8EA	7162		DR8EIX	6681
EVO 125 2T		125	1	2008-		0.6	BR7ES	5122		BR7EIX	6664
Jonathan		125	1	2000-		0.7	DR8EA	7162		DR8EIX	6681
Minicross R125 4T		125	1	2008-		0.8	CR7HSA	4549		CR7HIX	7544
Minicross R 125 4T		125	1	-		0.7	C7HSA	4629		CR7HIX	7544
Minimotard R125 4T		125	1	2009-		0.8	CR7HSA	4549		CR7HIX	7544
RE 125 4T		125	1	2006-		0.8	CR7HSA	4549		CR7HIX	7544
REV-3 125 Trial		125	1	-	Italy	0.6	BR7ES	5122		BR7EIX	6664
REV-3 125 Trial		125	1	2000-		0.6	BP6ES	7811		BPR6EIX	6637
REV-3 125 Trial		125	1	2000-2006		0.7	B8ES	2411	Q201	BR8EIX	5044
REV-3 125 Trial		125	1	2006-		0.5	BPR7ES	2023		BPR7EIX	4055
RR 125 4T Motard		125	1	2006-		0.8	CR7HSA	4549		CR7HIX	7544
RR 125 Enduro 4T		125	1	2006-		0.8	CR7HSA	4549		CR7HIX	7544
RR 125 Enduro 4T		125	1	2010-	Water fluid	0.7	CR8E	4854	Q226	CR8EIX	4218
Synt 125		125	1	1994-		0.5	B8ES	2411	Q201	BR8EIX	5044

\*Bitte Elektrodenabstand nach Angaben des Herstellers justieren

\*Please adjust the ground electrode gap

\*Veuillez vérifier l'écartement

\* Por favor, ajustar la distancia entre los electrodos

\*Regolare il gap

\* Iridium IX Spark Plug is the standard recommendation







Stock No.

Quick No.

Upgrade ↑

Stock No. ↑

**BETA**

<b>Techno 125</b>		125	1	-		0.6	BPR7ES	2023		BPR7EIX	4055
<b>TR-32</b>		125	1	-		0.5	B8ES	2411	Q201	BR8EIX	5044
<b>TR-34</b>		125	1	-		0.5	B8ES	2411	Q201	BR8EIX	5044
<b>Trial</b>		125	1	-		0.5	B6ES	7310			
<b>Urban 125</b>		125	1	2009-		0.8	CR7HSA	4549		CR7HIX	7544
<b>Urban 125 Special</b>		125	1	2009-		0.8	CR7HSA	4549		CR7HIX	7544
<b>Zero 125</b>		125	1	-		0.5	B8ES	2411	Q201	BR8EIX	5044
<b>Eikon 150</b>		150	1	1999-		0.9	DPR7EA-9	5129	Q220	DPR7EIX-9	7803
<b>Alp 200</b>		200	1	-		0.7	DR8EA	7162		DR8EIX	6681
<b>Alp 4-T</b>		200	1	2000-		0.7	DR8EA	7162		DR8EIX	6681
<b>EVO 200 2T</b>		200	1	2008-		0.6	BR7ES	5122		BR7EIX	6664
<b>REV-3 200</b>		200	1	-		0.6	BP6ES	7811		BPR6EIX	6637
<b>REV-3 200</b>		200	1	-	Italy	0.6	BR7ES	5122		BR7EIX	6664
<b>REV-3 Trials</b>	REV	200	1	2000-2007		0.6	BPR7ES	2023		BPR7EIX	4055
<b>REV-3 Trials</b>	REV	200	1	2008-		0.5	BR7ES	5122		BR7EIX	6664
<b>Techno 200 Trial</b>		200	1	-1996		0.6	BR8ES	5422	Q207	BR8EIX	5044
<b>Techno 200 Trial</b>		200	1	1996-		0.6	BPR7ES	2023		BPR7EIX	4055
<b>Urban 200</b>		200	1	2008-		0.7	DR8EA	7162		DR8EIX	6681
<b>Urban 200 Special</b>		200	1	2009-		0.7	DR8EA	7162		DR8EIX	6681
<b>Alp 240</b>		240	1	1995-		0.5	B8ES	2411	Q201	BR8EIX	5044
<b>Super Trail 240</b>		240	1	1994-		0.5	B8ES	2411	Q201	BR8EIX	5044
<b>TR-33</b>		240	1	-		0.5	B6ES	7310			
<b>Trial</b>		240	1	-		0.5	B6ES	7310			
<b>Trial 240</b>		240	1	-		0.5	B6ES	7310			
<b>Dougie Lampkin Replica</b>		247	1	-		0.5	BPR7ES	2023		BPR7EIX	4055
<b>Alp 250</b>		250	1	-		0.5	B8ES	2411	Q201	BR8EIX	5044
<b>Alp LC</b>		250	1	1995-		0.5	BPR7ES	2023		BPR7EIX	4055
<b>Eikon</b>		250	1	1999-		0.9	DPR7EA-9	5129	Q220	DPR7EIX-9	7803
<b>Eikon 150</b>		250	1	1999-		0.9	DPR7EA-9	5129	Q220	DPR7EIX-9	7803
<b>Enduro</b>		250	1	-		0.5	B7HS	5110		BR7HIX	7067
<b>EVO 250 2T</b>		250	1	2008-		0.6	BR7ES	5122		BR7EIX	6664
<b>EVO 250 4T</b>		250	1	2008-		0.8	CR7EB	4663			
<b>REV-3 250</b>		250	1	-		0.6	BPR7ES	2023		BPR7EIX	4055
<b>REV-3 250</b>		250	1	2000-		0.6	BP6ES	7811		BPR6EIX	6637
<b>REV-3 250 2T Trials</b>	REV	250	1	2008-		0.5	BR7ES	5122		BR7EIX	6664
<b>REV-3 250 4T Trials</b>	REV	250	1	2007-		0.6	CR7EB	4663			
<b>RR 250</b>		250	1	2012-		0.6	BR8ES	5422	Q207	BR8EIX	5044
<b>RR 250 M 4T</b>		250	1	-		0.9	DCPR8E	4339		DCPR8EIX	6546
<b>Super Trail 250</b>		250	1	-		0.5	B8ES	2411	Q201	BR8EIX	5044
<b>Techno 250</b>		250	1	-		0.5	BCP7ES	5030			
<b>Techno 250</b>		250	1	1996-1999		0.5	BR8ES	5422	Q207	BR8EIX	5044
<b>Trial 250</b>		250	1	-		0.5	BPR7ES	2023		BPR7EIX	4055
<b>Xtrainer 250</b>		250	1	-		0.8	GR7CI-8	95476			
<b>Alp 260</b>		260	1	-		0.5	B8ES	2411	Q201	BR8EIX	5044
<b>Super Trail 260</b>		260	1	-		0.5	B8ES	2411	Q201	BR8EIX	5044
<b>Synt 260</b>		260	1	-		0.5	B8ES	2411	Q201	BR8EIX	5044
<b>TR-34 Campionato</b>		260	1	-		0.5	B8ES	2411	Q201	BR8EIX	5044
<b>TR-35 Campionato</b>		260	1	-		0.5	B8ES	2411	Q201	BR8EIX	5044
<b>Zero 260</b>		260	1	-		0.5	B8ES	2411	Q201	BR8EIX	5044
<b>Zero Gara</b>		260	1	1994-		0.5	B8ES	2411	Q201	BR8EIX	5044
<b>REV-3</b>		270	1	-	Italy	0.6	BR7ES	5122		BR7EIX	6664
<b>REV-3 270</b>		270	1	-		0.6	BP6ES	7811		BPR6EIX	6637

\*Bitte Elektrodenabstand nach Angaben des Herstellers justieren

\*Please adjust the ground electrode gap

\*Veuillez vérifier l'écartement

\* Por favor, ajustar la distancia entre los electrodos

\*Regolare il gap

\*\* Iridium IX Spark Plug is the standard recommendation





Stock No.

Quick No.

Upgrade ↑

Stock No. ↑

**BETA**

REV-3 270 Trials		270	1	2000-2007		0.6	BPR7ES	2023		BPR7EIX	4055
REV-3 270 Trials		270	1	2008-		0.7	BR7ES	5122		BR7EIX	6664
Techno 270 Trial		270	1	-1996		0.6	BR8ES	5422	Q207	BR8EIX	5044
Techno 270 Trial		270	1	1996-		0.6	BPR7ES	2023		BPR7EIX	4055
EVO 290 2T		290	1	2008-		0.6	BR7ES	5122		BR7EIX	6664
EVO 300 4T		300	1	2008-		0.8	CR7EB	4663			
RR 300		300	1	2012-		0.6	BR7ES	5122		BR7EIX	6664
Xtrainer 300		300	1	-		0.8	GR7CI-8	95476			
Alp 4.0 4T		350	1	2003-		0.7	CR9EK	5600	Q230		
Euro 350		350	1	-		0.7	CR9EK	5600	Q230		
Jonathan 350		350	1	-		0.7	CR9EK	5600	Q230		
M4 4T		350	1	-		0.8	CR9EK	5600	Q230		
Motard 4.0 4T		350	1	2003-		0.7	CR9EK	5600	Q230		
RR 350 Enduro 4T		350	1	2013-		0.9	LKAR8A-9	4786			
RR 390 EFI Enduro		390	1	2015-		0.9	LKAR8A-9	4786			
RR 390 EFI Enduro Racing		390	1	2015-		0.9	LKAR8A-9	4786			
Alp 4.0		400	1	2004-		0.7	CR9EK	5600	Q230		
RR 400 4T		400	1	-2009	KTM	0.9	DCPR8E	4339		DCPR8EIX	6546
RR 400 4T		400	1	2010-	BETA	0.9	LKAR8A-9	4786			
RR 430 EFI Enduro		430	1	2015-		0.9	LKAR8A-9	4786			
RR 430 EFI Enduro Racing		430	1	2015-		0.9	LKAR8A-9	4786			
RR 450 4T		450	1	-	KTM	0.9	DCPR8E	4339		DCPR8EIX	6546
RR 450 4T		450	1	2010-	BETA	0.9	LKAR8A-9	4786			
RR 480 EFI Enduro		480	1	2015-		0.9	LKAR8A-9	4786			
RR 480 EFI Enduro Racing		480	1	2015-		0.9	LKAR8A-9	4786			
RR 498 Enduro 4T		498	1	2013-		0.9	LKAR8A-9	4786			
RR 520 4T		500	1	2010-	BETA	0.9	LKAR8A-9	4786			
RR 525 4T		525	1	-	KTM	0.9	DCPR8E	4339		DCPR8EIX	6546

**BIG DOG**

All models		1310	2	-		1.1	BPR5ES-11	4424		BPR5EIX-11	2115
88 cu in		1440	2	-		1.1	BPR5ES-11	4424		BPR5EIX-11	2115
All models		1507	2	-		1.1	BPR5ES-11	4424		BPR5EIX-11	2115
S&S Engine		1750	2	-		1.1	BPR5ES-11	4424		BPR5EIX-11	2115
Total Performance Eng.		1750	2	-		0.8	DCPR7E	3932		DCPR7EIX	6046
S&S Engine		1918	2	-		0.8	DCPR7E	3932		DCPR7EIX	6046

**BIMOTA**

V-Due		500	2	1997-2005		0.7	BR8ES	5422	Q207	BR8EIX	5044
V-Due Evoluzione		500	2	2000-		0.7	DR8EIX**	6681			
YB-9 SR, Sri		600	4	1994-1996	YAMAHA	0.7	CR9E	6263	Q227	CR9EIX	3521
BB 1 Biposto		650	1	1996-1997	BMW	0.7	D8EA	2120	Q216	DR8EIX	6681
BB 1 Supermono		650	1	1995-1996	BMW	0.7	D8EA	2120	Q216	DR8EIX	6681
SB 7		750	4	1994-1995	SUZUKI	0.7	CR9EK	5600	Q230		
DB 2		900	2	1993-1995	DUCATI	0.9	DPR8EA-9	4929	Q221	DPR8EIX-9	2202
DB 2 SR Full Fairing		900	2	1994-1996	DUCATI	0.9	DPR8EA-9	4929	Q221	DPR8EIX-9	2202
DB 2 SR Half Fairing		900	2	1994-1996	DUCATI	0.9	DPR8EA-9	4929	Q221	DPR8EIX-9	2202
DB 3 Mantra		900	2	1996-	DUCATI	0.9	DPR8EA-9	4929	Q221	DPR8EIX-9	2202
DB 4	DB-4	900	2	1998-	DUCATI	0.9	DPR8EA-9	4929	Q221	DPR8EIX-9	2202
DB 4 Injection	DB-4	900	2	2000-	DUCATI	0.9	DCPR8E	4339		DCPR8EIX	6546
Mantra		900	2	-	DUCATI	0.9	DPR7EA-9	5129	Q220	DPR7EIX-9	7803

\* Bitte Elektrodenabstand nach Angaben des Herstellers justieren

\* Please adjust the ground electrode gap

\* Veuillez vérifier l'écartement

\* Por favor, ajustar la distancia entre los electrodos

\* Regolare il gap

\* Iridium IX Spark Plug is the standard recommendation





Stock No.

Quick No.

Upgrade ↑

Stock No. ↑

**BIMOTA**

<b>DB 3 Mantra</b>		904	2	1995-1998	DUCATI	0.9	DPR8EA-9	4929	Q221	DPR8EIX-9	2202
<b>Tesi 1D ES</b>	DB-1	906	2	1994-	DUCATI	0.6	DR9EIX**	4772			
<b>Tesi 1D SR</b>	DB-1	906	2	1994-	DUCATI	0.6	DR9EIX**	4772			
<b>DB 5</b>	DB-5	992	2	2005-	DUCATI	0.8	DCPR8E	4339		DCPR8EIX	6546
<b>DB 6 R Delirio</b>	DB-6	992	2	2008-	DUCATI	0.8	DCPR8E	4339		DCPR8EIX	6546
<b>BB 3</b>		1000	4	2014-	BMW	0.8	LMAR9D-J	1633			
<b>BB 3 1000</b>	BB3	1000	4	2014-	BMW	*	LMAR9D-J	1633			
<b>SB 8 R</b>	SB-8	1000	2	-	SUZUKI	0.7	CR9EK	5600	Q230		
<b>SB 8 R</b>		1000	4	1998-1999	SUZUKI	0.7	CR9EK	5600	Q230		
<b>SB 8 R Special</b>	SB-8	1000	2	-	SUZUKI	0.7	CR9EK	5600	Q230		
<b>YB 10 Biposto</b>	YB-10	1000	4	1995-	YAMAHA	0.7	DR8EA	7162		DR8EIX	6681
<b>YB 11 Superleggera</b>	YB-11	1000	4	1996-1998	YAMAHA	0.7	DR8EA	7162		DR8EIX	6681
<b>YB 8 E E Ohlins</b>	YB-8	1000	4	1994-	YAMAHA	0.7	DR8ES-L	2923	Q218	DR9EIX	4772
<b>YB 8 E Evolution</b>	YB-8	1000	4	1994-	YAMAHA	0.7	DR8ES-L	2923	Q218	DR9EIX	4772
<b>YB 8 E Paioli</b>	YB-8	1000	4	1994-	YAMAHA	0.7	DR8ES-L	2923	Q218	DR9EIX	4772
<b>YB 8 EXUP</b>		1000	4	1995-1995	YAMAHA	0.7	DR8ES-L	2923	Q218	DR9EIX	4772
<b>DB 5</b>		1100	2	2005-2006	DUCATI	0.9	DCPR8E	4339		DCPR8EIX	6546
<b>DB 5R</b>		1100	2	2010-	DUCATI	0.9	DCPR8E	4339		DCPR8EIX	6546
<b>DB 5S</b>		1100	2	2010-	DUCATI	0.9	DCPR8E	4339		DCPR8EIX	6546
<b>DB 6</b>		1100	2	2007-	DUCATI	0.9	DCPR8E	4339		DCPR8EIX	6546
<b>DB 6R Delirio</b>		1100	2	2008-	DUCATI	0.9	DCPR8E	4339		DCPR8EIX	6546
<b>DB 7</b>		1100	2	2009-	DUCATI	0.8	MAR10A-J	4706			
<b>SB 6</b>		1100	4	1994-1996	SUZUKI	0.7	CR9E	6263	Q227	CR9EIX	3521
<b>SB 6R</b>		1100	4	1997-1998	SUZUKI	0.7	CR9E	6263	Q227	CR9EIX	3521
<b>Tesi 3D</b>		1100	2	2010-	DUCATI	0.9	DCPR8E	4339		DCPR8EIX	6546

**BLACK DOUGLAS MC**

<b>Claret Classic</b>		125	1	2013-		0.8	DR8EA	7162		DR8EIX	6681
<b>Countryman Deluxe</b>		125	1	2013-		0.8	DR8EA	7162		DR8EIX	6681
<b>Jade Wonder</b>		125	1	2013-		0.8	DR8EA	7162		DR8EIX	6681
<b>Original Drayton</b>		125	1	2013-		0.8	DR8EA	7162		DR8EIX	6681
<b>Silent Grey</b>		125	1	2013-		0.8	DR8EA	7162		DR8EIX	6681
<b>Sport Imperial</b>		125	1	2013-		0.8	DR8EA	7162		DR8EIX	6681
<b>Claret Classic</b>		230	1	2013-		0.8	DR8EA	7162		DR8EIX	6681
<b>Countryman Deluxe</b>		230	1	2013-		0.8	DR8EA	7162		DR8EIX	6681
<b>Jade Wonder</b>		230	1	2013-		0.8	DR8EA	7162		DR8EIX	6681
<b>Original Drayton</b>		230	1	2013-		0.8	DR8EA	7162		DR8EIX	6681
<b>Silent Grey</b>		230	1	2013-		0.8	DR8EA	7162		DR8EIX	6681
<b>Sport Imperial</b>		230	1	2013-		0.8	DR8EA	7162		DR8EIX	6681

**BLATA**

<b>Elite 13</b>		40	1	-		0.5	B9ES	2611	Q202	BR9EIX	3981
<b>Elite 13 R</b>		40	1	-		0.5	B9ES	2611	Q202	BR9EIX	3981
<b>Elite 13W</b>		40	1	-		0.5	B9ES	2611	Q202	BR9EIX	3981
<b>Elite 13 W</b>		40	1	-		0.5	B9ES	2611	Q202	BR9EIX	3981
<b>Elite 13 WR</b>		40	1	-		0.5	B9ES	2611	Q202	BR9EIX	3981
<b>Elite 13 WRS</b>		40	1	-		0.5	B9ES	2611	Q202	BR9EIX	3981
<b>Pocket bike Réplica</b>		49	1	-		0.7	BR6HS	4200		BR6HIX	3419
<b>BXE</b>		125	1	-		*	CR7EB	4663			
<b>BXM</b>		125	1	-		*	CR7EB	4663			

**BMW**

<b>C1 125</b>	C1N	125	1	2000-2003		0.6	CR8EB	7784			
<b>C1 200</b>	C1N	180	1	2000-2003		0.6	CR8EB	7784			

\*Bitte Elektrodenabstand nach Angaben des Herstellers justieren

\*Please adjust the ground electrode gap

\*Veuillez vérifier l'écartement

\* Por favor, ajustar la distancia entre los electrodos

\*Regolare il gap

\*\* Iridium IX Spark Plug is the standard recommendation





Stock No.

Quick No.

Upgrade ↑

Stock No. ↑

**BMW**

<b>G 450 X</b>	K16	450	1	2008-		0.7	CR9EKB	2305			
<b>C 600 Sport</b>	K18	600	2	2012-		0.8	LMAR8D-J	93444			
<b>C 650 GT</b>	K19	650	2	2012-	60hp	0.8	LMAR8D-J	93444			
<b>C 650 Sport</b>	K18	650	2	2016-	60hp	0.8	LMAR8D-J	93444			
<b>C 650 Sport</b>	K18	650	2	2016-	48hp	0.8	LMAR8D-J	93444			
<b>F 650</b>	E169	650	1	1993-1996		0.7	D8EA	2120	Q216	DR8EIX	6681
<b>F 650</b>	E169	650	1	1996-2003		0.7	D8EA	2120	Q216	DR8EIX	6681
<b>F 650</b>	BMS-C II	650	1	2004-	Twin Spark MCU BMW	0.6	DR8EB	4855			
<b>F 650 CS</b>	K14	650	1	2000-2003		0.6	DR8EB	4855			
<b>F 650 CS</b>		650	1	2002-2005		0.7	DR8EB	4855			
<b>F 650 CS</b>	K14	650	1	2003-2005		0.6	DR8EB	4855			
<b>F 650 CS Scarver</b>	K14	650	1	2001-		0.7	D8EA	2120	Q216	DR8EIX	6681
<b>F 650 GSD</b>		650	1	2000-2002		0.7	DR8EB	4855			
<b>F 650 GS Dakar</b>	R13	650	1	1999-2003		0.7	D8EA	2120	Q216	DR8EIX	6681
<b>F 650 GS Dakar</b>		650	1	2002-2005		0.7	DR8EB	4855			
<b>F 650 GS Dakar</b>	R13	650	1	2003-2007		0.6	DR8EB	4855			
<b>F 650 GS Dakar</b>		650	1	2005-2007	Twin Spark	0.7	DR8EB	4855			
<b>F 650 GS Sertão</b>	R13	650	2	2010-		0.6	DR8EB	4855			
<b>F 650 ST Strada</b>	E169	650	1	1997-1999		0.6	D8EA	2120	Q216	DR8EIX	6681
<b>G 650 GS</b>	R131	650	1	2008-2010		0.6	DR8EB	4855			
<b>G 650 GS</b>	R131	650	1	2010-		0.6	DR8EB	4855			
<b>G 650 Xchallenge</b>	K15	650	1	2007-2010		0.6	DR8EB	4855			
<b>G 650 Xcountry</b>	K15	650	1	2006-2007		0.6	DR8EB	4855			
<b>G 650 Xcountry</b>	K15	650	1	2007-2010		0.6	DR8EB	4855			
<b>G 650 Xmoto</b>	K15	650	1	2007-2010		0.6	DR8EB	4855			
<b>F 750 GS</b>	K80	750	2	2016-	48hp	0.9	LMAR8J-9E	93972			
<b>F 750 GS</b>	K80	750	2	2016-	77hp	0.9	LMAR8J-9E	93972			
<b>F 650 GS</b>	K72	800	2	2008-		0.9	DCPR8E	4339		DCPR8EIX	6546
<b>F 700 GS</b>	K70	800	2	2013-2017		0.8	DCPR8E	4339		DCPR8EIX	6546
<b>F 800 GS</b>	K72	800	2	2008-		0.9	DCPR8E	4339		DCPR8EIX	6546
<b>F 800 GS Adventure</b>	K75	800	2	2012-	85hp	0.8	DCPR8E	4339		DCPR8EIX	6546
<b>F 800 GT</b>	K71	800	2	2011-	90hp	0.9	DCPR8E	4339		DCPR8EIX	6546
<b>F 800 GT</b>	K71	800	2	2013-		0.9	DCPR8E	4339		DCPR8EIX	6546
<b>F 800 R</b>	K73	800	2	2009-	87hp	0.9	DCPR8E	4339		DCPR8EIX	6546
<b>F 800 R</b>	K73	800	2	2009-2013	87hp	0.9	DCPR8E	4339		DCPR8EIX	6546
<b>F 800 S</b>	K71	800	2	2004-		0.8	DCPR8E	4339		DCPR8EIX	6546
<b>F 800 S</b>	K71	800	2	2006-		0.9	DCPR8E	4339		DCPR8EIX	6546
<b>F 800 ST</b>	K71	800	2	2004-		0.8	DCPR8E	4339		DCPR8EIX	6546
<b>F 800 ST</b>	K71	800	2	2006-		0.9	DCPR8E	4339		DCPR8EIX	6546
<b>F 850 GS</b>	K81	850	2	2016-	95hp	0.9	LMAR8J-9E	93972			
<b>R 850 C</b>	59C1	850	2	1998-2000		0.8	BKR7EKC	7354			
<b>R 850 GS</b>	259E	850	2	1998-2000		0.8	BKR7EKC	7354			
<b>R 850 R</b>	259R	850	2	1994-2002		0.8	BKR7EKC	7354			
<b>R 850 RT</b>	259T	850	2	1996-2001		0.8	BKR7EKC	7354			
<b>R 850 RT</b>	R22	850	2	2000-2006		0.8	BKR7EKC	7354			
<b>R 900 RT 05 SF</b>	K26	900	2	2005-2009		0.8	DCPR8EKC	7168		DCPR8EIX	6546
<b>R 900 RT 10 SF</b>	K26	900	2	2009-		0.8	DCPR8EKC	7168		DCPR8EIX	6546
<b>HP4</b>		1000	4	2012-2016	107hp	0.8	LMAR9D-J	1633			
<b>HP4</b>		1000	4	2012-2016	193hp	0.8	LMAR9D-J	1633			
<b>HP4 Race</b>		1000	4	2017-	215hp	*	LMAR9D-J	1633			
<b>R 100 R</b>	247E	1000	2	1994-		0.6	BP6ES	7811		BPR6EIX	6637
<b>R 100 R Mystik</b>	247/3	1000	2	1993-1996		0.6	BP6ES	7811		BPR6EIX	6637

\*Bitte Elektrodenabstand nach Angaben des Herstellers justieren

\*Please adjust the ground electrode gap

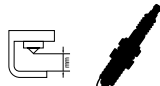
\*Veuillez vérifier l'écartement

\* Por favor, ajustar la distancia entre los electrodos

\*Regolare il gap

\* Iridium IX Spark Plug is the standard recommendation





Stock No.

Quick No.

Upgrade ↑

Stock No. ↑

**BMW**

<b>S 1000 R</b>	K47	1000	4	2013-2016	160hp	0.8	LMAR9D-J	1633			
<b>S 1000 R</b>	K47	1000	4	2017-	165hp	0.8	LMAR9D-J	1633			
<b>S 1000 R</b>	K47	1000	4	2017-	107hp	0.8	LMAR9D-J	1633			
<b>S 1000 RR</b>	K46	1000	4	2008-	107hp	0.8	LMAR9D-J	1633			
<b>S 1000 RR</b>	K46	1000	4	2008-2013	193hp	0.8	LMAR9D-J	1633			
<b>S 1000 RR</b>	K46	1000	4	2014-	198hp	0.8	LMAR9D-J	1633			
<b>S 1000 RR</b>	K67	1000	4	2019-	207hp	1.0	LMAR9F-10G	92850			
<b>S 1000 RR HP4</b>	K46	1000	4	2011-	193hp	0.8	LMAR9D-J	1633			
<b>S 1000 XR</b>	K49	1000	4	2014-2016	160hp	0.8	LMAR9D-J	1633			
<b>S 1000 XR</b>	K49	1000	4	2015-	107hp	0.8	LMAR9D-J	1633			
<b>S 1000 XR</b>	K49	1000	4	2017-	195hp	0.8	LMAR9D-J	1633			
<b>K 1100 LT</b>	K589	1100	4	1992-1998	101hp	0.6	DR7EA	7839		DR7EIX	5686
<b>K 1100 LT</b>	K589	1100	4	1992-1998	98hp	0.6	DR7EA	7839		DR7EIX	5686
<b>K 1100 LT Edition spécial</b>	K589	1100	4	1992-1999		0.5	DR7EA	7839		DR7EIX	5686
<b>K 1100 RS</b>	259RS	1100	4	1992-1996	101hp	0.6	DR7EA	7839		DR7EIX	5686
<b>K 1100 RS</b>	259RS	1100	4	1992-1996	98hp	0.6	DR7EA	7839		DR7EIX	5686
<b>K 1100 RS 89V2</b>	K589	1100	4	1992-1997		0.6	DCPR7E	3932		DCPR7EIX	6046
<b>R 1100 GS</b>	259E	1100	2	1993-1999	80hp	0.8	BKR7EKC	7354			
<b>R 1100 GS</b>	259	1100	2	1999-		0.8	BKR7EKC	7354			
<b>R 1100 GS</b>	259E	1100	2	1999-		0.8	BKR7EKC	7354			
<b>R 1100 R</b>	259R	1100	2	1994-2001	80hp	0.8	BKR7EKC	7354			
<b>R 1100 RS</b>	259RS	1100	2	1992-2001	90hp	0.8	BKR7EKC	7354			
<b>R 1100 RT</b>	259RT	1100	2	1995-2001	90hp	0.8	BKR7EKC	7354			
<b>R 1100 S</b>	259S	1100	2	-1999		0.8	BKR7EKC	7354			
<b>R 1100 S</b>	259S	1100	2	1999-2003	98hp	0.9	BKR7EKC	7354			
<b>R 1100 S</b>	259S	1100	2	2003-	Twin Spark	0.8	BKR7EKC DCPR8EKC	7354 7168		DCPR8EIX	6546
<b>R 1100 S Boxer Cup</b>	259S	1100	2	2002-2003		0.8	BKR7EKC	7354			
<b>R 1150</b>	R21	1150	2	2003-	Twin Spark	0.8	BKR7EKC DCPR8EKC	7354 7168		DCPR8EIX	6546
<b>R 1150 GS</b>	R21	1150	2	1999-2003		0.8	BKR7EKC	7354			
<b>R 1150 GS</b>	R21A	1150	2	2003-	Twin Spark	0.8	BKR7EKC DCPR8EKC	7354 7168		DCPR8EIX	6546
<b>R 1150 GS</b>	R21	1150	2	2003-	Twin Spark	0.8	BKR7EKC DCPR8EKC	7354 7168		DCPR8EIX	6546
<b>R 1150 GS Adventure</b>	R21A	1150	2	2002-2003		0.8	BKR7EKC	7354			
<b>R 1150 GS Adventure</b>	R21A	1150	2	2003-2005	Twin Spark	0.8	BKR7EKC DCPR8EKC	7354 7168		DCPR8EIX	6546
<b>R 1150 R</b>	R28	1150	2	2001-2003		0.8	BKR7EKC	7354			
<b>R 1150 R</b>	R28	1150	2	2002-2006	Twin Spark	0.8	BKR7EKC DCPR8EKC	7354 7168		DCPR8EIX	6546
<b>R 1150 R</b>	R21A	1150	2	2003-	Twin Spark	0.8	BKR7EKC DCPR8EKC	7354 7168		DCPR8EIX	6546
<b>R 1150 R</b>	R21	1150	2	2003-	Twin Spark	0.8	BKR7EKC DCPR8EKC	7354 7168		DCPR8EIX	6546
<b>R 1150 R Rockster</b>	R28	1150	2	2002-2005	Twin Spark	0.8	BKR7EKC DCPR8EKC	7354 7168		DCPR8EIX	6546
<b>R 1150 RS</b>	R22	1150	2	2000-2002		0.8	BKR7EKC	7354			
<b>R 1150 RS</b>	R22	1150	2	2003-2004	Twin Spark	0.8	BKR7EKC DCPR8EKC	7354 7168		DCPR8EIX	6546
<b>R 1150 RT</b>	R22	1150	2	2000-2006		0.8	BKR7EKC	7354			
<b>R 1150 RT</b>	R21	1150	2	2001-2003		0.8	BKR7EKC	7354			
<b>R 1150 RT</b>	R22	1150	2	2003-2006	Twin Spark	0.8	BKR7EKC DCPR8EKC	7354 7168		DCPR8EIX	6546
<b>R 1150 S</b>	R21/R21A	1150	2	2003-	Twin Spark	0.8	BKR7EKC DCPR8EKC	7354 7168		DCPR8EIX	6546
<b>HP2 Enduro</b>	K25HP	1200	2	2005-	Twin Spark 105hp	0.8	BKR7EKC DCPR8EKC	7354 7168		DCPR8EIX	6546

\*Bitte Elektrodenabstand nach Angaben des Herstellers justieren

\*Please adjust the ground electrode gap

\*Veuillez vérifier l'écartement

\* Por favor, ajustar la distancia entre los electrodos

\*Regolare il gap

\*\*Iridium IX Spark Plug is the standard recommendation





Stock No.

Quick No.

Upgrade ↑

Stock No. ↑

**BMW**

<b>HP2 Megamoto</b>	K25 03	1200	2	2007-	Twin Spark 113hp	0.9	BKR7EKC DCPR8EKC	7354 7168		DCPR8EIX	6546
<b>HP2 Sport</b>	K29HP	1200	2	2007-		0.8	MAR9B-JDS	1316			
<b>K 1200 GT</b>	K41	1200	4	2003-2005		0.8	DCPR7E	3932		DCPR7EIX	6046
<b>K 1200 GT</b>	K44	1200	4	2006-2008		0.8	KR9CI	7795			
<b>K 1200 LT</b>	K589	1200	4	1998-2004		0.8	DCPR7E	3932		DCPR7EIX	6046
<b>K 1200 R</b>	K43	1200	4	2005-2008		0.8	KR9CI	7795			
<b>K 1200 RS</b>	K589	1200	4	1996-2001		0.8	DCPR7E	3932		DCPR7EIX	6046
<b>K 1200 R Sport</b>	K43	1200	4	2005-2007		0.8	KR9CI	7795			
<b>K 1200 S</b>	K40	1200	4	2004-2008		0.8	KR9CI	7795			
<b>R 1200 C</b>	259C	1200	2	-2003		0.8	BKR7EKC	7354			
<b>R 1200 C</b>	259C	1200	2	2003-2009	Twin Spark 105hp	0.8	BKR7EKC DCPR8EKC	7354 7168		DCPR8EIX	6546
<b>R 1200 C Independent</b>	259C	1200	4	2000-2003		0.8	BKR6EKC	2848			
<b>R 1200 CL</b>	K30	1200	2	2003-		0.8	BKR7EKC	7354			
<b>R 1200 CL</b>	K30	1200	4	2003-2004	Twin Spark	0.8	BKR7EKC DCPR8EKC	7354 7168		DCPR8EIX	6546
<b>R 1200 C Montauk</b>	259C	1200	4	2002-2004	Twin Spark 105hp	0.8	BKR7EKC DCPR8EKC	7354 7168		DCPR8EIX	6546
<b>R 1200 GS</b>	K25	1200	2	2002-2007		0.8	DCPR8EKC	7168		DCPR8EIX	6546
<b>R 1200 GS</b>	K25	1200	2	2004-2009	Twin Spark 105hp	0.8	BKR7EKC DCPR8EKC	7354 7168		DCPR8EIX	6546
<b>R 1200 GS</b>	K25	1200	2	2006-2008		0.8	DCPR8EKC	7168		DCPR8EIX	6546
<b>R 1200 GS</b>	K25	1200	2	2008-2010		0.8	MAR8B-JDS	8765			
<b>R 1200 GS</b>	K25	1200	2	2010-	Twin Spark 110hp DOHC	0.8	MAR8B-JDS	8765			
<b>R 1200 GS</b>	K50	1200	2	2011-		0.8	LMAR8D-J	93444			
<b>R 1200 GS</b>	K50	1200	2	2013-	125hp Water fluid	0.8	LMAR8D-J	93444			
<b>R 1200 GS</b>	K50	1200	2	2018-	136hp	0.8	LMAR8A-10	94319			
<b>R 1200 GS Adventure</b>	K25	1200	2	2005-2007		0.8	DCPR8EKC	7168		DCPR8EIX	6546
<b>R 1200 GS Adventure</b>	K25	1200	2	2007-2009		0.8	DCPR8EKC	7168		DCPR8EIX	6546
<b>R 1200 GS Adventure</b>	K25	1200	2	2008-2013		0.8	MAR8B-JDS	8765			
<b>R 1200 GS Adventure</b>	K51	1200	2	2012-		0.8	LMAR8D-J	93444			
<b>R 1200 GS Adventure</b>	K25	1200	2	2013-	10mm Thread Size / 26,5mm Thread Reach 125hp Water fluid	0.8	LMAR8D-J	93444			
<b>R 1200 GS Rallye</b>	K50	1200	4	2012-		0.8	MAR8B-JDS	8765			
<b>R 1200 Nine T</b>	K21	1200	2	2014-	110hp	0.8	MAR8B-JDS	8765			
<b>R 1200 nineT Pure</b>	K21	1200	2	2016-	110hp	0.8	MAR8B-JDS	8765			
<b>R 1200 nineT Racer</b>	K32	1200	2	2016-	110hp	0.8	MAR8B-JDS	8765			
<b>R 1200 nineT Scrambler</b>	K23	1200	2	2016-	110hp	0.8	MAR8B-JDS	8765			
<b>R 1200 nineT Urban G/S</b>	K33	1200	2	2016-	110hp	0.8	MAR8B-JDS	8765			
<b>R 1200 R</b>	K27	1200	2	2005-2010	Twin Spark	0.8	DCPR8EKC	7168		DCPR8EIX	6546
<b>R 1200 R</b>	K27	1200	2	2010-	Twin Spark	0.8	MAR8B-JDS	8765			
<b>R 1200 R</b>	K53	1200	2	2015-	10mm Thread Size / 26,5mm Thread Reach 125hp	0.8	LMAR8D-J	93444			
<b>R 1200 RS</b>	K54	1200	2	2015-	10mm Thread Size / 26,5mm Thread Reach 125hp	0.8	LMAR8D-J	93444			
<b>R 1200 RT</b>	K26	1200	2	2003-2009		0.8	DCPR8EKC	7168		DCPR8EIX	6546
<b>R 1200 RT</b>	K26	1200	2	2009-	Twin Spark 110hp DOHC	0.8	MAR8B-JDS	8765			
<b>R 1200 RT</b>	K52	1200	2	2013-	10mm Thread Size / 26,5mm Thread Reach 125hp Water fluid	0.8	LMAR8D-J	93444			
<b>R 1200 RT</b>	K52	1200	2	2018-	136hp	*	LMAR8A-10	94319			
<b>R 1200 S</b>	K29	1200	2	2004-2007	Twin Spark	0.8	DCPR8EKC	7168		DCPR8EIX	6546

\*Bitte Elektrodenabstand nach Angaben des Herstellers justieren

\*Please adjust the ground electrode gap

\*Veuillez vérifier l'écartement

\* Por favor, ajustar la distancia entre los electrodos

\*Regolare il gap

\* Iridium IX Spark Plug is the standard recommendation





Stock No.

Quick No.

Upgrade ↑

Stock No. ↑

**BMW**

<b>R 1200 ST</b>	K28	1200	2	2005-2009	Twin Spark	0.8	DCPR8EKC	7168		DCPR8EIX	6546
<b>K 1300 GT</b>	K44	1300	4	2007-2010		0.8	KR9CI	7795			
<b>K 1300 R</b>	K43	1300	4	2007-		0.8	KR9CI	7795			
<b>K 1300 S</b>	K43	1300	4	2007-		0.8	KR9CI	7795			
<b>K 1300 S Pack HP</b>	K40	1300	4	2012-		0.8	KR9CI	7795			
<b>K 1600 B</b>	K61	1600	6	2017-	107hp	0.8	LMAR8AI-8	92288			
<b>K 1600 B</b>	K61	1600	6	2017-	160hp	0.8	LMAR8AI-8	92288			
<b>K 1600 GT</b>	K48	1600	6	2010-	160hp	0.8	LMAR8AI-8	92288			
<b>K 1600 GTL</b>	K48	1600	6	2010-	160hp	0.8	LMAR8AI-8	92288			

**BOOM TRIKE**

<b>Classic Trike Chopper VW</b>		1600	4	-		0.8	BP5ES-A	2285			
<b>Classic Trike Chopper VW</b>		1600	4	-		0.6	B6HS B7HS	4510 5110		BR6HIX BR7HIX	3419 7067
<b>Classic Trike Family VW</b>		1600	4	-		0.6	B6HS B7HS	4510 5110		BR6HIX BR7HIX	3419 7067
<b>Classic Trike Family VW</b>		1600	4	-		0.8	BP5ES-A	2285			
<b>Classic Trike Low Rider VW</b>		1600	4	-		0.6	B6HS	4510		BR6HIX	3419
<b>Classic Trike Low Rider VW</b>		1600	4	-		0.8	BP5ES-A	2285			
<b>Classic Trike Low Rider VW</b>		1600	4	-		0.6	B7HS	5110		BR7HIX	7067
<b>Fighter Automatik</b>		1600	4	-	FORD	1.3	PTR5A-13	2467			
<b>Fighter Automatik</b>		2000	4	-	FORD	1.3	PTR5A-13	2467			

**BOSS**

<b>HOSS</b>		8226	8	-		0.7	BPR4ES	7222			
-------------	--	------	---	---	--	-----	--------	------	--	--	--

**BRUDELI**

<b>Leanster 654L</b>		690	1	2009-		0.9	LKAR8AI-9	6706			
----------------------	--	-----	---	-------	--	-----	-----------	------	--	--	--

**BSA**

<b>Gold SR 400</b>		400		1999-2003		0.7	BPR6ES	7822		BPR6EIX	6637
<b>Gold SR 500</b>		500		1999-		0.7	BPR7ES	2023		BPR7EIX	4055

**BSM**

<b>City</b>		50	1	1999-2001		0.6	BPR7HS	6422		BPR7HIX	5944
<b>Off Road</b>		50	1	1999-2001		0.6	BPR7HS	6422		BPR7HIX	5944
<b>Thunderbike</b>		50	1	1999-		0.6	BPR7HS	6422		BPR7HIX	5944
<b>Winner</b>		50	1	1999-		0.6	BPR7HS	6422		BPR7HIX	5944
<b>Thunderbike 2</b>		100	1	1999-		0.6	BPR7HS	6422		BPR7HIX	5944
<b>FT 125</b>		125	1	1999-		0.7	DR8EA	7162		DR8EIX	6681
<b>Thunderbike 4</b>		125	1	1999-		0.7	CR7HSA	4549		CR7HIX	7544

**BS VILLA**

<b>Giorno</b>		50	1	-		0.6	BR8HSA	5539			
<b>SP Dio</b>		50	1	-		0.6	BPR7HS	6422		BPR7HIX	5944
<b>Z5</b>		50	1	1993-		0.6	BR8HSA	5539			
<b>ZX</b>		50	1	1993-		0.6	BR8HSA	5539			

**BUELL**

<b>XB-9R Firebolt</b>	XB1	984	2	2002-		0.9	DPR9EA-9	5329	Q222	DPR9EIX-9	5545
<b>XB-9R Lightning</b>	XB1	984	2	2002-		0.9	DPR9EA-9	5329	Q222	DPR9EIX-9	5545
<b>XB-9S Firebolt</b>	XB1	984	2	2002-		0.9	DPR9EA-9	5329	Q222	DPR9EIX-9	5545
<b>XB-9S Lightning</b>	XB1	984	2	2002-		0.9	DPR9EA-9	5329	Q222	DPR9EIX-9	5545
<b>XB9-SX 1000 Lightning CityX</b>	XB1	984	2	2005-		0.9	DCPR9E	2641		DCPR9EIX	2316

\* Bitte Elektrodenabstand nach Angaben des Herstellers justieren  
 \* Please adjust the ground electrode gap  
 \* Veuillez vérifier l'écartement

\* Por favor, ajustar la distancia entre los electrodos  
 \* Regolare il gap  
 \*\* Iridium IX Spark Plug is the standard recommendation





Stock No.

Quick No.

Upgrade ↑

Stock No. ↑

**BUELL**

<b>XB9-X 1000 City X</b>	XB1	984	2	2009-		0.9	DCPR9E	2641		DCPR9EIX	2316
<b>XB9R</b>		1000	2	2001-2007		0.9	DCPR9E	2641		DCPR9EIX	2316
<b>XB9S</b>		1000	2	2003-2007		0.9	DCPR9E	2641		DCPR9EIX	2316
<b>XB9S</b>		1000	2	2005-2007		0.9	DCPR9E	2641		DCPR9EIX	2316
<b>XB9SX</b>		1000	2	2005-2007		0.9	DCPR9E	2641		DCPR9EIX	2316
<b>1125 CR Café Racer</b>		1125	2	2009-2010		0.7	CR9EKB	2305			
<b>1125 R</b>		1125	2	2008-2010		0.7	CR9EKB	2305			
<b>M2 Cyclone</b>		1200	2	1997-2003		1.0	DCPR8E	4339		DCPR8EIX	6546
<b>S1 Lightning</b>		1200	2	1996-1997		1.0	DCPR8E	4339		DCPR8EIX	6546
<b>S1 White Lightning</b>		1200	2	1998-2009		1.0	DCPR8E	4339		DCPR8EIX	6546
<b>S2 Thunderbolt</b>		1200	2	1995-1996		1.0	DCPR8E	4339		DCPR8EIX	6546
<b>S3 Thunderbolt</b>		1200	2	1997-2010		1.0	DCPR8E	4339		DCPR8EIX	6546
<b>X1 Lightning</b>		1200	2	1999-2010		1.0	DCPR8E	4339		DCPR8EIX	6546
<b>XB 12 R</b>		1200	2	2007-2010		0.9	DCPR9E	2641		DCPR9EIX	2316
<b>XB 12 S</b>		1200	2	2004-2007		0.9	DCPR9E	2641		DCPR9EIX	2316
<b>XB 12 SCG</b>		1200	2	2007-2007		0.9	DCPR9E	2641		DCPR9EIX	2316
<b>XB 12 SS</b>		1200	2	2006-2007		0.9	DCPR9E	2641		DCPR9EIX	2316
<b>XB 12S TT</b>		1200	2	2007-2007		0.9	DCPR9E	2641		DCPR9EIX	2316
<b>XB 12 X</b>		1200	2	2006-2007		0.9	DCPR9E	2641		DCPR9EIX	2316
<b>XB 12 XT</b>		1200	2	2008-2010		0.9	DCPR9E	2641		DCPR9EIX	2316

**BUFFALO**

<b>CY 25</b>		50	1	1997-		0.6	BR7HS	4737		BR7HIX	7067
<b>CY 50</b>		50	1	1997-		0.6	BR7HS	4737		BR7HIX	7067
<b>CY 50 AC</b>		50	1	1996-	Air	0.6	BR7HS	4737		BR7HIX	7067
<b>MK 50</b>		50	1	1996-		0.6	BP7HS	5111		BPR7HIX	5944
<b>MM 50</b>		50	1	1997-		0.6	BR7HS	4737		BR7HIX	7067
<b>MY 50 AC</b>		50	1	1996-	Air	0.6	BR7HS	4737		BR7HIX	7067
<b>Silver LC</b>		50	1	1996-	Water fluid	0.5	BR8ES	5422	Q207	BR8EIX	5044

**BULTACO**

<b>Astro</b>		50	1	1998-		0.5	B9ES	2611	Q202	BR9EIX	3981
<b>Astro Supermotard</b>		50	1	2000-		0.6	B9ES	2611	Q202	BR9EIX	3981
<b>Lobito</b>		50	1	1998-		0.5	B9ES	2611	Q202	BR9EIX	3981
<b>Lobito Enduro</b>		50	1	1999-		0.6	B9ES	2611	Q202	BR9EIX	3981
<b>Sherco</b>		125	1	2000-		0.6	BPR5ES	7422		BPR5EIX	6597
<b>Sherco</b>		200	1	2000-		0.6	BPR5ES	7422		BPR5EIX	6597
<b>Sherco</b>		250	1	1999-		0.6	BPR5ES	7422		BPR5EIX	6597
<b>Sherco</b>		290	1	2000-		0.6	BPR5ES	7422		BPR5EIX	6597

**CAGIVA**

<b>City</b>		50	1	1993-		0.5	B7HS	5110		BR7HIX	7067
<b>City</b>		50	1	1994-1997		0.6	BPR8HS	3725		BPR8HIX	6742
<b>City</b>		50	1	1998-		0.5	BR8HSA	5539			
<b>City L.E.</b>		50	1	1993-		0.5	B7HS	5110		BR7HIX	7067
<b>Cocis</b>		50	1	-		0.5	B8ES	2411	Q201	BR8EIX	5044
<b>Cucciolo</b>		50	1	-		0.6	B8HS	5510		BR8HIX	7001
<b>K3</b>		50	1	-		0.5	B8ES	2411	Q201	BR8EIX	5044
<b>Mantis</b>		50	1	1999-		0.6	B9ES	2611	Q202	BR9EIX	3981
<b>Mito</b>		50	1	-		0.5	B10ES	7928		BR10EIX	6801
<b>Passing</b>		50	1	-		0.6	BP6HS	4511		BPR6HIX	4085
<b>Prima</b>		50	1	-		0.5	B8ES	2411	Q201	BR8EIX	5044
<b>Prima 50</b>		50	1	1992-		0.5	B8ES	2411	Q201	BR8EIX	5044
<b>Progress 50</b>		50	1	-		0.6	B8HS	5510		BR8HIX	7001

\* Bitte Elektrodenabstand nach Angaben des Herstellers justieren

\* Please adjust the ground electrode gap

\* Veuillez vérifier l'écartement

\* Por favor, ajustar la distancia entre los electrodos

\* Regolare il gap

\* Iridium IX Spark Plug is the standard recommendation







Stock No.

Quick No.

Upgrade ↑

Stock No. ↑

**CAGIVA**

Progress Corsa		50	1	-		0.6	B9ES	2611	Q202	BR9EIX	3981
Scooter		50	1	1993-		0.7	BR8HSA	5539			
Supercity		50	1	-		0.5	B8ES	2411	Q201	BR8EIX	5044
W4		50	1	-		0.5	B8ES	2411	Q201	BR8EIX	5044
Cocis		75	1	-		0.5	B8ES	2411	Q201	BR8EIX	5044
Prima 80		75	1	1992-		0.5	B8ES	2411	Q201	BR8EIX	5044
Supercity 80		75	1	1992-		0.5	B8ES	2411	Q201	BR8EIX	5044
W4 80		75	1	1992-		0.5	B8ES	2411	Q201	BR8EIX	5044
A8 Trail		125	1	-		0.5	B9ES	2611	Q202	BR9EIX	3981
Aletta Dakar		125	1	-		0.5	B9EG	3530			
Aletta Rossa		125	1	-		0.5	B9EG	3530			
Cucciolo		125	1	1999-		0.7	CR7E	4578	Q225	CR7EIX	7385
K7		125	1	-	Germany	0.5	BR10EIX**	6801			
Mito 125		125	1	1995-1998		0.5	BR10EIX**	6801			
Mito 125		125	1	1999-		0.5	BR9EG	3230			
Mito EV 125		125	1	-	Germany	0.6	BR10EG	3830			
Mito MK2		125	1	1992-		0.5	BR10EIX**	6801			
Mito Racing		125	1	-	Germany	0.5	BR10EIX**	6801			
Mito SP 525		125	1	2008-		0.5	BR9EG	3230			
Nuvola		125	1	-		0.7	CR7E	4578	Q225	CR7EIX	7385
Passing		125	1	1994-		0.6	BP6HS	4511		BPR6HIX	4085
Passing		125	1	1995-		0.6	BP6HS	4511		BPR6HIX	4085
Planet		125	1	1999-2003		0.5	BR9EG	3230			
Raptor 125		125	1	2004-		0.5	BR9EG	3230			
Roadster		125	1	1998-		0.6	BR9ES	5722		BR9EIX	3981
Roadster 125		125	1	1992-		0.6	B9ES	2611	Q202	BR9EIX	3981
Roadster 521		125	1	1998-		0.6	BR9ES	5722		BR9EIX	3981
SS		125	1	-		0.5	B8ES	2411	Q201	BR8EIX	5044
Supercity		125	1	1992-		0.5	BR10EIX**	6801			
Supercity	N200AA	125	1	1999-		0.5	BR9EG	3230			
SX		125	1	-		0.5	B8ES	2411	Q201	BR8EIX	5044
W8		125	1	1996-1997	Germany 15hp	0.5	B9ES	2611	Q202	BR9EIX	3981
W8		125	1	1998-		0.6	BR9ES	5722		BR9EIX	3981
W8 R		125	1	1996-		0.5	B9ES	2611	Q202	BR9EIX	3981
W8 Supermotard		125	1	1996-		0.5	B9ES	2611	Q202	BR9EIX	3981
WR 125		125	1	2002-		0.5	BR9EG	3230			
WRE 125		125	1	2002-		0.5	BR9EG	3230			
All		175	1	-		0.5	B8ES	2411	Q201	BR8EIX	5044
All		200	1	-		0.5	B9ES	2611	Q202	BR9EIX	3981
Ala Blu 350		350	1	-		0.5	B8ES	2411	Q201	BR8EIX	5044
Ala Verde 350		350	1	-		0.5	B8ES	2411	Q201	BR8EIX	5044
Indiana 350		350		-		0.5	BP7HS	5111		BPR7HIX	5944
Lucky 350		350	1	-	Germany	0.9	DP8EA-9	5829		DPR8EIX-9	2202
W12		350	1	1993-1994		0.9	DP8EA-9	5829		DPR8EIX-9	2202
W12 350		350	1	1993-		0.6	DPR8EA-9	4929	Q221	DPR8EIX-9	2202
W12 A		350	1	1993-1994		0.9	DP8EA-9	5829		DPR8EIX-9	2202
Canyon 500		500	1	-	12mm Thread Size / 19mm Thread Reach	0.6	D8EA	2120	Q216	DR8EIX	6681
Mito		500	1	2007-		0.7	CR8EB	7784			
River 500		500	1	1999-		0.6	DCPR8E	4339		DCPR8EIX	6546
Canyon 600		600	1	1996-1997		0.6	BKR7EIX**	2667			
Canyon 600		600	1	1998-		0.8	BCP7ES	5030			
River 600		600	1	1995-		0.8	BCP7ES	5030			

\*Bitte Elektrodenabstand nach Angaben des Herstellers justieren

\*Please adjust the ground electrode gap

\*Veuillez vérifier l'écartement

\* Por favor, ajustar la distancia entre los electrodos

\*Regolare il gap

\*\* Iridium IX Spark Plug is the standard recommendation





Stock No.

Quick No.

Upgrade ↑

Stock No. ↑

**CAGIVA**

Super City		600	1	1995-		0.6	BKR7EIX**	2667			
W16 600		600	1	-1995		0.8	BCP7ES	5030			
W16 600		600	1	-1995		0.6	C7E	5096		CR7EIX	7385
Indiana		650	2	-		0.5	BP7HS	5111		BPR7HIX	5944
Raptor		650	2	2000-	Germany	0.7	CR8E	4854	Q226	CR8EIX	4218
V-Raptor		650	2	2000-		0.7	CR8E	4854	Q226	CR8EIX	4218
Elefant 750		750	2	1994-1997		0.9	DPR8EA-9	4929	Q221	DPR8EIX-9	2202
Indiana		750	2	-		0.5	BP7HS	5111		BPR7HIX	5944
Elefant 900 AC		900	2	1993-1997	Germany	0.9	DPR9EA-9	5329	Q222	DPR9EIX-9	5545
Elefant 900 ie GT		900	2	1992-1993	Germany	0.9	DPR9EA-9	5329	Q222	DPR9EIX-9	5545
Gran Canyon 900		900	2	1999-		0.6	DCPR8E	4179		DCPR8EIX	6546
Navigator 1000		1000	2	1999-		0.7	CR8EK	3478			
Navigator T		1000	2	2000-		0.7	CR8EK	3478			
Raptor		1000	2	1999-		0.7	CR8EK	3478			
V-Raptor		1000	2	2000-		0.7	CR8EK	3478			
X-tra Raptor 1000		1000	2	2003-		0.7	CR8EK	3478			

**CAN-AM**

MX-4		370	1	-		0.5	B9ES	2611	Q202	BR9EIX	3981
MX-5		370	1	-		0.5	B9ES	2611	Q202	BR9EIX	3981
Qualifier		370	1	-		0.5	B9ES	2611	Q202	BR9EIX	3981
400 MX		400	1	-		0.5	B9ES	2611	Q202	BR9EIX	3981
MX6		400	1	-		0.5	B9ES	2611	Q202	BR9EIX	3981
Qualifier		400	1	-		0.5	B9ES	2611	Q202	BR9EIX	3981
Sonic 500		500	1	-		0.5	D8EA	2120	Q216	DR8EIX	6681
Sonic 500 MX		500	1	-		0.5	D8EA	2120	Q216	DR8EIX	6681
Spyder RS		998	2	2008-2012		0.7	DCPR9E	2641		DCPR9EIX	2316
Spyder RS		998	2	2013-	12mm Thread Size / 19mm Thread Reach	0.7	KR8BI	4347			
Spyder RT		998	2	2010-2011	12mm Thread Size / 19mm Thread Reach	0.7	DCPR9E	2641		DCPR9EIX	2316
Spyder RT		998	2	2012-2013	12mm Thread Size / 19mm Thread Reach	0.7	KR8BI	4347			
Spyder ST		998	2	2013-	12mm Thread Size / 19mm Thread Reach	0.7	KR8BI	4347			
Spyder		1000	2	2008-		0.7	DCPR9E	2641		DCPR9EIX	2316
Spyder Roadster		1000	2	2008-		0.7	DCPR9E	2641		DCPR9EIX	2316
Spyder F3		1330	3	2015-		0.8	MR7BI-8	90982			
Spyder RT		1330	3	2014-	10mm Thread Size / 19mm Thread Reach	0.8	MR7BI-8	90982			

**CANNONDALE**

EX 400		432	1	2001-		0.7	CR9EK	5600	Q230		
MX 400		432	1	2000-		0.7	CR9EK	5600	Q230		
XC 400		432	1	2001-		0.7	CR9EK	5600	Q230		

**CARREFOUR**

Gap		50	1	2000-		0.5	B7HS	5110		BR7HIX	7067
Web		50	1	2000-		0.5	B7HS	5110		BR7HIX	7067
PFM		125	1	2000-		0.7	DR8EA	7162		DR8EIX	6681

**CASAL**

M 105 Six Speed (RZ, Mag.)		50	1	1992-		0.6	B9HS	5810		BR9HIX	5687
Super Boss RE		50	1	1999-		0.5	B9HS	5810		BR9HIX	5687

**CCF**

Adly 50		50	1	1996-		0.6	BP7HS	5111		BPR7HIX	5944
---------	--	----	---	-------	--	-----	-------	------	--	---------	------

\*Bitte Elektrodenabstand nach Angaben des Herstellers justieren

\*Please adjust the ground electrode gap

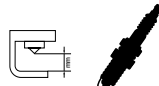
\*Veuillez vérifier l'écartement

\* Por favor, ajustar la distancia entre los electrodos

\*Regolare il gap

\* Iridium IX Spark Plug is the standard recommendation





Stock No.

Quick No.

Upgrade ↑

Stock No. ↑

**CCF**

Cat 50		50	1	1997-		0.6	BP7HS	5111		BPR7HIX	5944
Adly 100		100	1	1996-		0.6	BP7HS	5111		BPR7HIX	5944
Cat 125		125	1	1998-		0.6	CR7HSA	4549		CR7HIX	7544

**CCM**

240 CMT Trials		240	1	-		0.7	BP5ES	6511		BPR5EIX	6597
250 CMT Trials		250	1	-		0.7	BP5ES	6511		BPR5EIX	6597
310 CMT Trials		310	1	-		0.7	BP5ES	6511		BPR5EIX	6597
320 CMT Trials		320	1	-		0.7	BP5ES	6511		BPR5EIX	6597
350 CMT Trials		350	1	-		0.7	BP5ES	6511		BPR5EIX	6597
404 DS		400	1	2003-		0.7	CR8E	4854	Q226	CR8EIX	4218
404 E		400	1	2003-		0.7	CR8E	4854	Q226	CR8EIX	4218
404 XC-Trials		400	1	-		0.7	CR8E	4854	Q226	CR8EIX	4218
FT 35		400	1	2005-		0.7	CR8E	4854	Q226	CR8EIX	4218
R 35		400	1	2006-		0.7	CR8E	4854	Q226	CR8EIX	4218
SR 40		400	1	2007-		0.7	CR8E	4854	Q226	CR8EIX	4218
R 35 Factory Big Bore Conversion		435	1	2006-		0.7	CR8E	4854	Q226	CR8EIX	4218
490 CMX		490	1	-		0.5	B9EG	3530			
500 CMX		500	1	-		0.5	D8EA	2120	Q216	DR8EIX	6681
500 MTT		500	1	-		0.5	D8EA	2120	Q216	DR8EIX	6681
500 MTT		500	1	-		0.7	DR8EA	7162		DR8EIX	6681
560 CCM		560	1	-		0.5	D8EA	2120	Q216	DR8EIX	6681
560 CCM		560	1	-		0.7	DR8EA	7162		DR8EIX	6681
CMX		560		-		0.5	D8EA	2120	Q216	DR8EIX	6681
604 E Sport		600	1	1998-2002		0.5	D8EA	2120	Q216	DR8EIX	6681
604 E Supermoto		600	1	1998-2002		0.5	D8EA	2120	Q216	DR8EIX	6681
604 R		600	1	-		0.7	DR8EA	7162		DR8EIX	6681
604 R		600	1	1998-2002		0.5	D8EA	2120	Q216	DR8EIX	6681
604 R30		600	1	-		0.7	DR8EA	7162		DR8EIX	6681
604 R30		600	1	1998-2002		0.5	D8EA	2120	Q216	DR8EIX	6681
604 Roadster RS		600	1	2001-		0.7	DR8EA	7162		DR8EIX	6681
604 RS		600	1	-		0.7	DR8EA	7162		DR8EIX	6681
604 RS		600	1	1998-2002		0.5	D8EA	2120	Q216	DR8EIX	6681
604 Supermoto Dual Sport		600	1	2001-		0.7	DR8EA	7162		DR8EIX	6681
604 Trial Dual Sport		600	1	2001-		0.7	DR8EA	7162		DR8EIX	6681
RS		604	1	2000-		0.5	D8EA	2120	Q216	DR8EIX	6681
640 RS		640	1	-		0.7	DR8EA	7162		DR8EIX	6681
640 RS		640	1	1999-2000	ROTAX	0.5	D8EA	2120	Q216	DR8EIX	6681
644 DS Dual Sport		644	1	2000-		0.5	D8EA	2120	Q216	DR8EIX	6681
644 Dual Supermoto		644	1	2000-		0.5	D8EA	2120	Q216	DR8EIX	6681
Moteur Suzuki		644		2002-	SUZUKI	0.7	CR10E	6264		CR10EIX	6482
644		650	1	2002-	SUZUKI	0.7	CR10EK	2360			
R30 Supermotard		650	1	2002-	SUZUKI	0.7	CR9EK	5600	Q230		
R30		710	1	2005-	SUZUKI	0.7	CR10E	6264		CR10EIX	6482

**CF MOTO**

Explorer W 125		125	1	-		0.9	DPR7EA-9	5129	Q220	DPR7EIX-9	7803
Glory 125		125	1	-		0.9	DPR7EA-9	5129	Q220	DPR7EIX-9	7803
Ride Glory 125		125	1	-		0.9	DPR7EA-9	5129	Q220	DPR7EIX-9	7803
Ride W 125		125	1	-		0.9	DPR7EA-9	5129	Q220	DPR7EIX-9	7803
Wallstreet 125		125	1	-		0.9	DPR7EA-9	5129	Q220	DPR7EIX-9	7803
V3 Auto 250T-3		250	1	2007-		0.9	DPR8EA-9	4929	Q221	DPR8EIX-9	2202

\*Bitte Elektrodenabstand nach Angaben des Herstellers justieren

\*Please adjust the ground electrode gap

\*Veuillez vérifier l'écartement

\* Por favor, ajustar la distancia entre los electrodos

\*Regolare il gap

\*\* Iridium IX Spark Plug is the standard recommendation





Stock No.

Quick No.

Upgrade ↑

Stock No. ↑

**CF MOTO**

V5 Auto 250T-5		250	1	-		0.9	DPR8EA-9	4929	Q221	DPR8EIX-9	2202
----------------	--	-----	---	---	--	-----	----------	------	------	-----------	------

**CLIPIC**

Trial		50	1	2000-		0.5	B7HS	5110		BR7HIX	7067
Trial CJ E		50	1	2000-		0.5	B10ES	7928		BR10EIX	6801
Trial CJ R		80	1	2000-		0.5	B9ES	2611	Q202	BR9EIX	3981

**CPI**

Aragon 50		50	1	2006-		0.8	BR7ES	5122		BR7EIX	6664
Aragon GP 50 Sport		50	1	2006-		0.8	BR7ES	5122		BR7EIX	6664
Aragon Mofa		50	1	2007-		0.5	BP7HS	5111		BPR7HIX	5944
Aragon Mofa GP		50	1	2007-		0.5	BP7HS	5111		BPR7HIX	5944
Baby J		50	1	-		0.6	BR8HSA	5539			
Bingo FL		50	1	2002-2002		0.6	BR8HSA	5539			
Formula R		50	1	-		0.7	BR7HS	4737		BR7HIX	7067
Formula R		50	1	2006-		0.7	BR7ES	5122		BR7EIX	6664
GTR 50		50	1	2003-2004	14mm Thread Size / 12,7mm Thread Reach	0.7	BR7HS	4737		BR7HIX	7067
GTR 50		50	1	2005-	14mm Thread Size / 19mm Thread Reach	0.6	BR10EG	3830			
GTS 50		50	1	2003-		0.8	BR7ES	5122		BR7EIX	6664
GTS 50		50	1	2003-2004	14mm Thread Size / 12,7mm Thread Reach	0.7	BR7HS	4737		BR7HIX	7067
GTS 50		50	1	2005-	14mm Thread Size / 19mm Thread Reach	0.6	BR10EG	3830			
Hussar		50	1	-		0.6	BR8HSA	5539			
Hussar		50	1	2000-		0.7	BR7ES	5122		BR7EIX	6664
Hussar		50	1	2001-2001		0.6	BR8HSA	5539			
Hussar		50	1	2003-		0.8	BR7ES	5122		BR7EIX	6664
Hussar FL		50	1	2002-2002		0.6	BR8HSA	5539			
Hussar SL		50	1	2002-2002		0.6	BR8HSA	5539			
JP		50	1	-		0.6	BR8HSA	5539			
Mars		50	1	-		0.6	BR8HSA	5539			
Oliver 50		50	1	2003-		0.8	BR7ES	5122		BR7EIX	6664
Oliver City		50	1	2006-		0.8	BR7ES	5122		BR7EIX	6664
Oliver Sport		50	1	2006-		0.8	BR7ES	5122		BR7EIX	6664
Popcorn		50	1	2000-2001		0.6	BR8HSA	5539			
Popcorn		50	1	2003-		0.8	BR7ES	5122		BR7EIX	6664
Popcorn FL		50	1	2002-2002		0.6	BR8HSA	5539			
Popcorn SL		50	1	2002-2002		0.6	BR8HSA	5539			
Supercross		50	1	-	14mm Thread Size / 12,7mm Thread Reach	0.7	BR7HS	4737		BR7HIX	7067
Supercross 50		50	1	2003-	14mm Thread Size / 19mm Thread Reach	0.7	BR7ES	5122		BR7EIX	6664
Supercross 50 SX		50	1	2006-2007		0.7	BR7ES	5122		BR7EIX	6664
Supermoto		50	1	-	14mm Thread Size / 12,7mm Thread Reach	0.7	BR7HS	4737		BR7HIX	7067
Supermoto		50	1	2003-	14mm Thread Size / 19mm Thread Reach	0.7	BR7ES	5122		BR7EIX	6664
Supermoto SMX		50	1	2006-		0.8	BR8ES	5422	Q207	BR8EIX	5044
Tennessee		50	1	2001-		0.6	BR8HSA	5539			
Aragon 125		125	1	2006-		0.6	CR7HSA	4549		CR7HIX	7544
GTS 125		125	1	2003-		0.8	BR7ES	5122		BR7EIX	6664
Hussar JU		125	1	2004-		0.6	CR7HSA	4549		CR7HIX	7544
Oliver City 125		125	1	2006-		0.6	CR7HSA	4549		CR7HIX	7544

\*Bitte Elektrodenabstand nach Angaben des Herstellers justieren

\*Please adjust the ground electrode gap

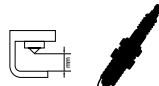
\*Veuillez vérifier l'écartement

\* Por favor, ajustar la distancia entre los electrodos

\*Regolare il gap

\* Iridium IX Spark Plug is the standard recommendation





Stock No.

Quick No.

Upgrade ↑

Stock No. ↑

**CPI**

QT4A ARN		125		-		0.6	CR7HSA	4549		CR7HIX	7544
X-Large 125		125	1	2003-		0.8	BR7ES	5122		BR7EIX	6664
GTS 150		150	1	2003-		0.8	BR7ES	5122		BR7EIX	6664
X-Large 150		150	1	2003-		0.8	BR7ES	5122		BR7EIX	6664
GTS 200		200	1	2003-		0.8	BR7ES	5122		BR7EIX	6664
X-Large 200		200	1	2003-		0.8	BR7ES	5122		BR7EIX	6664

**CR & S**

Vun		650	2	2007-		0.6	DR8EB	4855			
-----	--	-----	---	-------	--	-----	-------	------	--	--	--

**CRAZY-VEHICLE**

Crazy Buggy		125	1	2003-		0.7	CR7HSA	4549		CR7HIX	7544
-------------	--	-----	---	-------	--	-----	--------	------	--	--------	------

**DAELIM**

Cordi 50		50	1	2004-		0.6	BPR6HS	7022		BPR6HIX	4085
E Five		50	1	2003-		0.7	B8HS	5510		BR8HIX	7001
Message		50	1	1998-		0.6	BR8HSA	5539			
Message II		50	1	1999-		0.6	BR8HSA	5539			
S-Five		50	1	2002-		0.6	BR8HSA	5539			
Tapo		50	1	1998-		0.6	BR8HSA	5539			
Altino A.S		100	1	1998-		0.9	CR8EH-9	5666	Q228	CR8EHIX-9	3797
Delfino 100		100	1	1999-		0.6	BR8HS	4915	Q212	BR8HIX	7001
Citi Ace 110		110	1	2003-		0.7	C7HSA	4629		CR7HIX	7544
Altino 125 ES		125	1	2002-		0.9	C8EH-9	7473		CR8EHIX-9	3797
Besbi		125	1	2008-		0.7	CR7HSA	4549		CR7HIX	7544
Daystar 125		125	1	2000-		0.9	C8EH-9	7473		CR8EHIX-9	3797
Evolution VS		125	1	2002-		0.9	C8EH-9	7473		CR8EHIX-9	3797
Freewing 125		125	1	2005-		0.9	CR8EH-9	5666	Q228	CR8EHIX-9	3797
Freewing 125 Fi		125	1	2007-		0.9	CR8EH-9	5666	Q228	CR8EHIX-9	3797
History 125		125	1	2004-		0.9	CR8EH-9	5666	Q228	CR8EHIX-9	3797
NF 125 ES 'Altino		125	1	2003-		0.9	CR8EH-9	5666	Q228	CR8EHIX-9	3797
NS 125		125	1	1998-2000		0.9	CR8EH-9	5666	Q228	CR8EHIX-9	3797
NS 125		125	1	2001-		0.9	CR8EH-9	5666	Q228	CR8EHIX-9	3797
NS 125		125	1	2008-		0.7	CR7HSA	4549		CR7HIX	7544
NS 125 Trans Eagle		125	1	1998-		0.9	CR8EH-9	5666	Q228	CR8EHIX-9	3797
NS Fellow		125	1	1998-1999		0.9	CR8EH-9	5666	Q228	CR8EHIX-9	3797
NS Fellow II		125	1	1998-2000		0.9	CR8EH-9	5666	Q228	CR8EHIX-9	3797
NS II DLX		125	1	2001-		0.9	CR8EH-9	5666	Q228	CR8EHIX-9	3797
Otello 125 Fi		125	1	2007-		0.9	CR8EH-9	5666	Q228	CR8EHIX-9	3797
Otello 125 SE		125	1	2004-		0.9	CR8EH-9	5666	Q228	CR8EHIX-9	3797
Othello		125	1	1998-		0.9	CR8EH-9	5666	Q228	CR8EHIX-9	3797
Roadwin		125	1	-		0.9	CR8EH-9	5666	Q228	CR8EHIX-9	3797
Roadwin 125 R		125	1	2007-		0.9	CR9EH-9	7502	Q229	CR9EHIX-9	6216
S1 125 Fi	SA7	125	1	2007-2010	11hp	0.8	CR8EH-9	5666	Q228	CR8EHIX-9	3797
S1 125 Fi	SA7	125	1	2011-2016	11hp	0.8	CR8EH-9	5666	Q228	CR8EHIX-9	3797
S-2		125	1	2005-2006		0.9	CR8EH-9	5666	Q228	CR8EHIX-9	3797
S2 125	SA4	125	1	2005-2008	11hp	0.8	CR8EH-9	5666	Q228	CR8EHIX-9	3797
S2 125 Fi	SA4	125	1	2008-2016	11hp	0.8	CR8EH-9	5666	Q228	CR8EHIX-9	3797
S-2 Freewing		125	1	2005-2006		0.9	CR8EH-9	5666	Q228	CR8EHIX-9	3797
S3 125 Fi	SAB	125	1	2011-	14hp	0.8	CR8EH-9	5666	Q228	CR8EHIX-9	3797
SL History 125		125	1	-		0.9	CR8EH-9	5666	Q228	CR8EHIX-9	3797
SU 125 Delfino	SA9	125	1	2009-2013	9hp	0.7	CR7HSA	4549		CR7HIX	7544
VC 125		125	1	1997-		0.9	CR8EH-9	5666	Q228	CR8EHIX-9	3797
VC 125 Advance		125	1	1995-		0.9	C8EH-9	7473		CR8EHIX-9	3797

\*Bitte Elektrodenabstand nach Angaben des Herstellers justieren

\*Please adjust the ground electrode gap

\*Veuillez vérifier l'écartement

\* Por favor, ajustar la distancia entre los electrodos

\*Regolare il gap

\*\* Iridium IX Spark Plug is the standard recommendation





Stock No.

Quick No.

Upgrade ↑

Stock No. ↑

**DAELIM**

VEE 125		125	1	-		0.9	CR8EH-9	5666	Q228	CR8EHIX-9	3797
VJ 125 Roadwin		125	1	2003-2004		0.9	CR8EH-9	5666	Q228	CR8EHIX-9	3797
VL 125		125	1	2000-		0.9	CR8EH-9	5666	Q228	CR8EHIX-9	3797
VL 125 Daystar		125	1	2002-2003		0.9	C8EH-9	7473		CR8EHIX-9	3797
VL 125 Daystar		125	1	2004-		0.9	CR8EH-9	5666	Q228	CR8EHIX-9	3797
VL 125 Daystar Classic		125	1	2000-		0.9	CR8EH-9	5666	Q228	CR8EHIX-9	3797
VL 125 L Daystar		125	1	2002-		0.9	C8EH-9	7473		CR8EHIX-9	3797
VS 125		125	1	1997-		0.9	CR8EH-9	5666	Q228	CR8EHIX-9	3797
VS 125		125	1	1997-1998		0.9	CR8EH-9	5666	Q228	CR8EHIX-9	3797
VS 125 EVO		125	1	1999-		0.9	CR8EH-9	5666	Q228	CR8EHIX-9	3797
VT 125 EVO		125	1	2000-		0.9	CR8EH-9	5666	Q228	CR8EHIX-9	3797
VT 125 Evolution		125	1	1998-		0.9	C8EH-9	7473		CR8EHIX-9	3797
250 Roadsport		250	1	2012-		0.9	CR9EH-9	7502	Q229	CR9EHIX-9	6216
SQ 250 S2	SZ1	250	1	2005-2009	22hp	0.9	DPR7EA-9	5129	Q220	DPR7EIX-9	7803
VJF 250 Roadwin	BZ1BLS	250	1	2010-2016	24hp	0.9	CR9EH-9	7502	Q229	CR9EHIX-9	6216
VL 250 Daystar	BZ2	250	1	2013-	23hp	0.9	CR9EH-9	7502	Q229	CR9EHIX-9	6216

**DAFIER**

DFE QT-5	DFE	50	1	-		0.6	CR7HSA	4549		CR7HIX	7544
DFE QT-6	DFE	50	1	-		0.6	CR7HSA	4549		CR7HIX	7544
DFE QT-8	DFE	50	1	-		0.6	CR7HSA	4549		CR7HIX	7544
DFE T-10A	DFE	125	1	-		0.7	DR8EA	7162		DR8EIX	6681
DFE T-10D	DFE	125	1	-		0.7	DR8EA	7162		DR8EIX	6681
DFE T-10E	DFE	125	1	-		0.7	DR8EA	7162		DR8EIX	6681
DFE T-8A	DFE	125	1	-		0.7	DR8EA	7162		DR8EIX	6681

**DERBI**

Aceno		50	1	1998-		0.6	B8HS	5510		BR8HIX	7001
Atlantis 50		50	1	1999-2002	14mm Thread Size / 12,7mm Thread Reach Air	0.5	B8HS	5510		BR8HIX	7001
Atlantis 50		50	1	2000-	Water fluid	0.6	BR9ES	5722		BR9EIX	3981
Atlantis 50		50	1	2003-	14mm Thread Size / 19mm Thread Reach Air	0.6	BR9ES	5722		BR9EIX	3981
Atlantis 50		50	1	2003-		0.6	BR9ES	5722		BR9EIX	3981
Atlantis 50		50	1	2004-		0.7	CR8EB	7784			
Atlantis 50		50	1	2007-		0.7	PMR7A	4259			
Atlantis Bullet		50	1	2003-		0.6	BR9ES	5722		BR9EIX	3981
Atlantis City		50	1	2003-		0.6	BR9ES	5722		BR9EIX	3981
Atlantis LC		50	1	-		0.6	B9ES	2611	Q202	BR9EIX	3981
Atlantis O2		50	1	1999-		0.6	B8HS	5510		BR8HIX	7001
Atlantis Red Bullet		50	1	1999-		0.6	B9ES	2611	Q202	BR9EIX	3981
Aventura 50		50	1	1995-		0.6	B8HS	5510		BR8HIX	7001
Black Devil		50	1	2003-		0.6	B8ES	2411	Q201	BR8EIX	5044
Black Edition		50	1	2003-		0.6	B8ES	2411	Q201	BR8EIX	5044
Black Mini		50	1	2003-		0.6	CR9E	6263	Q227	CR9EIX	3521
Boulevard		50	1	2009-		0.6	BR9ES	5722		BR9EIX	3981
Boulevard 50 2T		50	1	2009-		0.6	BR9ES	5722		BR9EIX	3981
Dirt Boy 10/10		50	1	2003-		0.7	CR9E	6263	Q227	CR9EIX	3521
Dirt Kid 10/12		50	1	2003-		0.7	CR9E	6263	Q227	CR9EIX	3521
DRD 50 Supermoto		50	1	2002-		0.5	B8ES	2411	Q201	BR8EIX	5044
FDS Super		50	1	1992-		0.6	B8HS	5510		BR8HIX	7001
Fenix		50	1	1992-		0.6	B8HS	5510		BR8HIX	7001
Furax		50	1	1995-		0.6	B8HS	5510		BR8HIX	7001

\*Bitte Elektrodenabstand nach Angaben des Herstellers justieren

\*Please adjust the ground electrode gap

\*Veuillez vérifier l'écartement

\* Por favor, ajustar la distancia entre los electrodos

\*Regolare il gap

\* Iridium IX Spark Plug is the standard recommendation





Stock No.

Quick No.

Upgrade ↑

Stock No. ↑

**DERBI**

<b>Furax 50</b>		50	1	1995-		0.5	B8HS	5510		BR8HIX	7001
<b>GP1 50 open</b>		50	1	-		0.6	BR10ES	4832		BR10EIX	6801
<b>GP1 Replica</b>		50	1	2003-	Water fluid	0.6	BR10ES	4832		BR10EIX	6801
<b>GPR</b>		50	1	2002-		0.5	B8ES	2411	Q201	BR8EIX	5044
<b>GPR 50</b>		50	1	2009-		0.6	BR8ES	5422	Q207	BR8EIX	5044
<b>GPR 50 R</b>		50	1	2002-		0.5	B8ES	2411	Q201	BR8EIX	5044
<b>GPR Full power</b>		50	1	2002-		0.6	B9ES	2611	Q202	BR9EIX	3981
<b>GPR Naked</b>		50	1	2004-		0.7	B8ES	2411	Q201	BR8EIX	5044
<b>GPR Nude 50</b>		50	1	-		0.5	B8ES	2411	Q201	BR8EIX	5044
<b>GPR Racing</b>		50	1	2002-		0.5	B8ES	2411	Q201	BR8EIX	5044
<b>GPR Replica</b>		50	1	2003-		0.5	B8ES	2411	Q201	BR8EIX	5044
<b>GPR R Réplica</b>		50	1	1997-		0.6	B10HS	2399		BR10HIX	6692
<b>GP Serie</b>		50	1	-	Air	0.6	BR10ES	4832		BR10EIX	6801
<b>Hunter</b>		50	1	1995-	Spain	0.6	B8HS	5510		BR8HIX	7001
<b>Hunter</b>		50	1	1995-	D + A	0.6	BP7HS	5111		BPR7HIX	5944
<b>Manhattan</b>		50	1	-		0.6	B8HS	5510		BR8HIX	7001
<b>MXR</b>		50	1	1996-		0.6	B8HS	5510		BR8HIX	7001
<b>Naked</b>		50	1	2004-		0.5	B8ES	2411	Q201	BR8EIX	5044
<b>Paddock 50 O2</b>		50	1	-	Water fluid	0.6	B8HS	5510		BR8HIX	7001
<b>Paddock LC</b>		50	1	-	Water fluid	0.6	B9ES	2611	Q202	BR9EIX	3981
<b>Predator LC</b>		50	1	1998-	Water fluid	0.6	B9ES	2611	Q202	BR9EIX	3981
<b>Predator O2</b>		50	1	-	Water fluid	0.6	B8HS	5510		BR8HIX	7001
<b>Predator O2</b>		50	1	1998-	Spain Water fluid	0.6	B9ES	2611	Q202	BR9EIX	3981
<b>Racing Replica</b>		50	1	2002-		0.6	BR9ES	5722		BR9EIX	3981
<b>Rambla 50</b>		50	1	-		0.6	BR9ES	5722		BR9EIX	3981
<b>RD-2 Country</b>		50	1	1992-		0.6	B8HS	5510		BR8HIX	7001
<b>R DRD</b>		50	1	2002-		0.5	B8ES	2411	Q201	BR8EIX	5044
<b>Red Bullet</b>		50	1	2003-		0.6	BR9ES	5722		BR9EIX	3981
<b>R Racer</b>		50	1	2002-		0.5	B8ES	2411	Q201	BR8EIX	5044
<b>R X-treme</b>		50	1	2002-		0.5	B8ES	2411	Q201	BR8EIX	5044
<b>Senda</b>		50	1	-	Water fluid	0.5	B8ES	2411	Q201	BR8EIX	5044
<b>Senda 50</b>		50	1	1995-		0.6	B9ES	2611	Q202	BR9EIX	3981
<b>Senda 50</b>		50	1	1995-		0.5	B8ES	2411	Q201	BR8EIX	5044
<b>Senda 50 R</b>		50	1	1995-		0.6	B9ES	2611	Q202	BR9EIX	3981
<b>Senda 50 R</b>		50	1	1995-		0.5	B8ES	2411	Q201	BR8EIX	5044
<b>Senda 50 R X-Race</b>		50	1	2005-2011		0.5	B8ES	2411	Q201	BR8EIX	5044
<b>Senda 50 R X-Treme</b>		50	1	2003-2014		0.5	B8ES	2411	Q201	BR8EIX	5044
<b>Senda 50 SM</b>		50	1	1995-		0.5	B8ES	2411	Q201	BR8EIX	5044
<b>Senda 50 SM</b>		50	1	1995-		0.6	B9ES	2611	Q202	BR9EIX	3981
<b>Senda 50 SM X-Race</b>		50	1	2005-2011		0.5	B8ES	2411	Q201	BR8EIX	5044
<b>Senda DRD EVO 50 SM</b>		50	1	-		0.6	BR8ES	5422	Q207	BR8EIX	5044
<b>Senda DRD EVO 50 SM Limited Edition</b>		50	1	2009-		0.6	BR8ES	5422	Q207	BR8EIX	5044
<b>Senda DRD PRO 50 R</b>		50	1	2009-		0.6	BR8ES	5422	Q207	BR8EIX	5044
<b>Senda DRD PRO 50 SM</b>		50	1	2009-		0.6	BR8ES	5422	Q207	BR8EIX	5044
<b>Senda DRD Racing 50</b>		50	1	-		0.6	BR8ES	5422	Q207	BR8EIX	5044
<b>Senda L</b>		50	1	1996-1999		0.6	B9ES	2611	Q202	BR9EIX	3981
<b>Senda R</b>		50	1	1995-		0.5	B8ES	2411	Q201	BR8EIX	5044
<b>Senda R</b>		50	1	1995-		0.6	B9ES	2611	Q202	BR9EIX	3981
<b>Senda R</b>		50	1	1996-1999		0.6	B9ES	2611	Q202	BR9EIX	3981
<b>Senda R</b>		50	1	2000-		0.6	B9ES	2611	Q202	BR9EIX	3981
<b>Senda SM</b>		50	1	1995-		0.6	B9ES	2611	Q202	BR9EIX	3981

\* Bitte Elektrodenabstand nach Angaben des Herstellers justieren

\* Please adjust the ground electrode gap

\* Veuillez vérifier l'écartement

\* Por favor, ajustar la distancia entre los electrodos

\* Regolare il gap

\*\* Iridium IX Spark Plug is the standard recommendation





Stock No.

Quick No.

Upgrade ↑

Stock No. ↑

**DERBI**

<b>Senda SM</b>		50	1	1995-		0.6	B9ES	2611	Q202	BR9EIX	3981
<b>Senda SM</b>		50	1	1996-1999		0.6	B9ES	2611	Q202	BR9EIX	3981
<b>Senda SM</b>		50	1	2000-		0.6	B9ES	2611	Q202	BR9EIX	3981
<b>Senda X Race 50 R</b>		50	1	-		0.6	BR8ES	5422	Q207	BR8EIX	5044
<b>Senda X Race 50 SM</b>		50	1	-		0.6	BR8ES	5422	Q207	BR8EIX	5044
<b>Senda X-Treme 50 R</b>		50	1	-		0.6	BR8ES	5422	Q207	BR8EIX	5044
<b>Senda X Treme 50 SM</b>		50	1	-		0.6	BR8ES	5422	Q207	BR8EIX	5044
<b>Sendra-R</b>		50	1	1995-		0.6	B9ES	2611	Q202	BR9EIX	3981
<b>SM Black Edition</b>		50	1	2002-		0.5	B8ES	2411	Q201	BR8EIX	5044
<b>SM DRD</b>		50	1	-		0.6	B9ES	2611	Q202	BR9EIX	3981
<b>SM Racer</b>		50	1	2002-		0.6	B9ES	2611	Q202	BR9EIX	3981
<b>SM X-treme</b>		50	1	2002-		0.6	B9ES	2611	Q202	BR9EIX	3981
<b>Sonar 50</b>		50	1	2010-		0.7	BR9ES	5722		BR9EIX	3981
<b>Sonar 50 2T</b>		50	1	2010-		0.7	BR9ES	5722		BR9EIX	3981
<b>Start DS</b>		50	1	1992-		0.6	B8HS	5510		BR8HIX	7001
<b>Urban</b>		50	1	1995-		0.6	B8HS	5510		BR8HIX	7001
<b>Vamos</b>		50	1	-		0.6	BR8HS	4915	Q212	BR8HIX	7001
<b>Vamos 50</b>		50	1	1993-		0.5	B8HS	5510		BR8HIX	7001
<b>Vamos FL</b>		50	1	1994-		0.6	BR8HS	4915	Q212	BR8HIX	7001
<b>Vamos FL 50</b>		50	1	-		0.6	BR8HS	4915	Q212	BR8HIX	7001
<b>Vamos L</b>		50	1	1994-		0.6	BR8HS	4915	Q212	BR8HIX	7001
<b>Vamos SE 50</b>		50	1	-		0.6	BR8HS	4915	Q212	BR8HIX	7001
<b>Variant AIR</b>		50	1	2003-		0.5	B8HS	5510		BR8HIX	7001
<b>Variant Box</b>		50	1	1992-		0.6	B8HS	5510		BR8HIX	7001
<b>Variant Revolution</b>		50	1	2003-		0.6	B8HS	5510		BR8HIX	7001
<b>Variant Sport 50</b>		50	1	2012-2017	4hp	0.8	BR8ES	5422	Q207	BR8EIX	5044
<b>Variant Sport R</b>		50	1	1992-		0.6	B8HS	5510		BR8HIX	7001
<b>Variant Top</b>		50	1	1992-		0.6	B8HS	5510		BR8HIX	7001
<b>1001,Extra Sport Coppa</b>		75	1	-		0.5	B8ES	2411	Q201	BR8EIX	5044
<b>Europa RD15</b>		75	1	-		0.5	B8ES	2411	Q201	BR8EIX	5044
<b>GPR-75</b>		75	1	-		0.5	B10ES	7928		BR10EIX	6801
<b>Gran Prix 74</b>		75	1	-		0.5	B6HS	4510		BR6HIX	3419
<b>Scoot 74</b>		75	1	-		0.5	B8ES	2411	Q201	BR8EIX	5044
<b>Sport-75</b>		75	1	-		0.5	B10ES	7928		BR10EIX	6801
<b>Vivo-75</b>		75	1	-		0.6	BP5HS	4111			
<b>BI 3</b>		80	1	1995-		0.6	B8ES	2411	Q201	BR8EIX	5044
<b>Atlantis 100</b>		85	1	2000-		0.7	BR9ES	5722		BR9EIX	3981
<b>Senda 100</b>		85	1	1997-		0.6	B9ES	2611	Q202	BR9EIX	3981
<b>R Atlantis 100</b>		100	1	2000-		0.6	B9ES	2611	Q202	BR9EIX	3981
<b>Boulevard</b>		125	1	2003-	Air	0.7	CR9E	6263	Q227	CR9EIX	3521
<b>Boulevard</b>		125	1	2008-	PIAGGIO Air	0.8	CR7EB	4663			
<b>Boulevard</b>		125	1	2010-		0.6	CR7EB	4663			
<b>Boulevard 125</b>		125	1	2003-		0.6	CPR8E	7411			
<b>CRS, RC</b>		125	1	-		0.5	BR10EIX**	6801			
<b>Enduro</b>		125	1	-		0.5	BR9EIX**	3981			
<b>GP1 125</b>		125	1	2007-		0.8	CR8EB	7784			
<b>GP1 125 Racing</b>		125	1	2007-		0.8	CR8EB	7784			
<b>GPR 125 4V</b>		125	1	2009-		0.8	CR8EB	7784			
<b>GPR Nude</b>		125	1	2004-		0.8	BR8ES	5422	Q207	BR8EIX	5044
<b>GPR Racing</b>		125	1	2004-		0.8	BR8ES	5422	Q207	BR8EIX	5044
<b>HDR Cabriolet 125</b>		125		2000-		0.5	CR7E	4578	Q225	CR7EIX	7385
<b>Karmathan</b>		125	1	-		0.5	BR9EIX**	3981			

\*Bitte Elektrodenabstand nach Angaben des Herstellers justieren

\*Please adjust the ground electrode gap

\*Veuillez vérifier l'écartement

\* Por favor, ajustar la distancia entre los electrodos

\*Regolare il gap

\* Iridium IX Spark Plug is the standard recommendation







Stock No.

Quick No.

Upgrade ↑

Stock No. ↑

**DERBI**

Mulhacen 125		125	1	2007-		0.6	CR8EB	7784			
Mulhacen 125 Café		125	1	2007-		0.6	CR8EB	7784			
Rambla 125		125	1	-		0.8	CR8EB	7784			
Rambla 125		125	1	-		0.6	BR9ES	5722		BR9EIX	3981
RS125TT		125	1	-		0.5	BR9EIX**	3981			
Senda 125 Cross City		125	1	2007-2016		0.8	D8EA	2120	Q216	DR8EIX	6681
Senda Baja ('R)125		125	1	2007-		0.8	D8EA	2120	Q216	DR8EIX	6681
Senda Cross City		125	1	-		0.6	CR8EB	7784			
Senda DRD 125 R		125	1	2009-		0.6	CR8EB	7784			
Senda DRD 125 SM		125	1	2009-		0.6	CR8EB	7784			
Senda R 125		125	1	2002-2008		0.9	DPR8EA-9	4929	Q221	DPR8EIX-9	2202
Senda R-Baja		125	1	-		0.7	D8EA	2120	Q216	DR8EIX	6681
Senda SM 125		125	1	2002-2008		0.9	DPR8EA-9	4929	Q221	DPR8EIX-9	2202
Senda SM-Baja		125	1	-		0.7	D8EA	2120	Q216	DR8EIX	6681
Sonar 125		125	1	2009-2011		0.6	CR7EB	4663			
Sport Coppa		125	1	-		0.5	B9ES	2611	Q202	BR9EIX	3981
Terra 125		125	1	2008-		0.6	CR8EB	7784			
Terra Adventure 125		125	1	2009-		0.6	CR8EB	7784			
TTS9		125	1	-		0.5	B9ES	2611	Q202	BR9EIX	3981
TW Cross City 125		125	1	2007-		0.8	D8EA	2120	Q216	DR8EIX	6681
Variant Sport 125	SG000	125	1	2012-2016	11hp	0.8	CR7EB	4663			
Boulevard 150		150	1	-		0.7	CR9E	6263	Q227	CR9EIX	3521
Boulevard 150		150	1	2003-		0.6	CPR8E	7411			
2002		200	1	-		0.5	B9ES	2611	Q202	BR9EIX	3981
2002 Gran Prix		200	1	-		0.5	B9ES	2611	Q202	BR9EIX	3981
CRX		250	1	-		0.5	BR10EIX**	6801			
Enduro		250	1	-		0.5	BR10EIX**	6801			
GP1		250	1	2006-		0.7	CR9EB	6955			
GP1 250		250	1	2007-		0.7	PMR8B	6378			
GP1 250 Racing		250	1	2007-		0.7	PMR8B	6378			
Rambla 250		250	1	2008-2009		0.7	PMR8B	6378			
Rambla 300i		250	1	2010-		0.7	CR8EKB	4374			
RC		250	1	-		0.5	BR10EIX**	6801			
Turismo 250		250	1	-		0.5	B9ES	2611	Q202	BR9EIX	3981
Mulhacén 659		660	1	2005-		0.6	CR7E	4578	Q225	CR7EIX	7385
Mulhacen 659 Café		660	1	2005-		0.6	CR7E	4578	Q225	CR7EIX	7385

**DNEPR**

Dnepr -300		649	2	1997-		0.6	BP5HS	4111			
------------	--	-----	---	-------	--	-----	-------	------	--	--	--

**DUCATI**

250 Sebring		250	1	-		0.5	B6HS	4510		BR6HIX	3419
350 Junior		350	1	1992-1992		0.6	BP7HS	5111		BPR7HIX	5944
350 Sport	350GTV	350	1	1992-1992		0.7	BP5ES	6511		BPR5EIX	6597
400 Monster		400	2	-2005	Germany	*	DCR8EIX**	3606			
400 Scrambler		400	2	-	41hp	0.7	KR8C-G	97516			
600 SS	6S	600	2	1994-1997	Germany	*	DCR8EIX**	3606			
600 Supersport	600S	600	2	1994-		0.6	DCPR8E	4339		DCPR8EIX	6546
Monster 600		600	2	1994-2001		0.7	DCPR8E	4339		DCPR8EIX	6546
Monster 600	600M	600	2	1994-2001		*	DCPR8EIX**	6546			
Monster Dark		600	2	1994-2001		0.7	DCPR8E	4339		DCPR8EIX	6546
Monster S		600	2	1994-2001		0.7	DCPR8E	4339		DCPR8EIX	6546
Monstro 600	600M	600	2	-1998		0.6	DCPR8E	4339		DCPR8EIX	6546

\*Bitte Elektrodenabstand nach Angaben des Herstellers justieren

\*Please adjust the ground electrode gap

\*Veuillez vérifier l'écartement

\* Por favor, ajustar la distancia entre los electrodos

\*Regolare il gap

\*\* Iridium IX Spark Plug is the standard recommendation





Stock No.

Quick No.

Upgrade ↑

Stock No. ↑

**DUCATI**

<b>Monstro 600 Dark</b>	600M	600	2	-1998		0.6	DCPR8E	4339		DCPR8EIX	6546
<b>620 Sport</b>	V500AA	620	2	2003-2004		*	DCR8EIX**	3606			
<b>620 Sport</b>	V501AA	620	2	2003-2004		*	DCR8EIX**	3606			
<b>Monster 620 i.e.</b>	M400AA	620	2	2002-2006		0.7	DCPR8E	4339		DCPR8EIX	6546
<b>Monster Dark DD</b>	M409AA	620	2	2004-		0.6	DCPR8E	4339		DCPR8EIX	6546
<b>Monster Dark DD</b>	M403AC	620	2	2004-		0.6	DCPR8E	4339		DCPR8EIX	6546
<b>Monster Dark DD</b>	M408AA	620	2	2004-		0.6	DCPR8E	4339		DCPR8EIX	6546
<b>Multistrada 620</b>	A103AA	620	2	2005-2007		0.9	DCPR8E	4339		DCPR8EIX	6546
<b>Multistrada 620</b>	A104AA	620	2	2005-2007		0.9	DCPR8E	4339		DCPR8EIX	6546
<b>Monster 695</b>	M419AA/ M420AA	695	2	2006-2007		0.9	DCPR8E	4339		DCPR8EIX	6546
<b>Monster 696</b>	M500AA/ M501AA	696	2	2007-	80hp	0.9	DCPR8E	4339		DCPR8EIX	6546
<b>748</b>	H300AA	748	2	1995-2003		0.6	R2525-9	4735			
<b>748</b>	748S	748	2	1999-		0.6	R2525-9	4735			
<b>748 Biposto</b>		748	2	1995-2004		0.6	DCR9EIX**	6650			
<b>748 Biposto</b>	748S	748	2	1999-		0.6	R2525-9	4735			
<b>748 Dark</b>		748	2	2004-2006		0.6	CR9EB	6955			
<b>748 R</b>	748S	748	2	1999-		0.6	DCR9EIX**	6650			
<b>748 R</b>	H300AA	748	2	2000-2004		0.6	R2349-10	6839			
<b>748 S</b>	748S	748	2	-		0.6	R2525-9	4735			
<b>748 S</b>		748	2	2000-2004		0.6	DCR9EIX**	6650			
<b>748 SP</b>	H300AA	748	2	1995-2003		0.6	DCR9EIX** R2525-9	6650 4735			
<b>748 SP</b>		748	2	1995-1998		0.6	R2349-10	6839			
<b>748 SPS</b>	H300AA	748	2	1995-2003		0.6	DCR9EIX** R2525-9	6650 4735			
<b>748 SPS</b>		748	2	1998-2000		0.6	R2349-10	6839			
<b>749 R</b>	H501AG/ H501AF/H501AD	749	2	2003-		0.7	CR9EB	6955			
<b>749 S</b>	H500AA	749	2	2003-		0.7	CR9EB	6955			
<b>750 Sport</b>		750	2	-		0.7	DCPR8E DCR8EIX**	4339 3606		DCPR8EIX	6546
<b>750 SS HF I.E.</b>	V200AA	750	2	-		*	DCR8EIX**	3606			
<b>750 SS i.e.</b>		750	2	1998-		0.7	DCPR8E DCR8EIX**	4339 3606		DCPR8EIX	6546
<b>Monster 750</b>	M100AA	750	2	1996-		0.7	DCPR8E DCR8EIX**	4339 3606		DCPR8EIX	6546
<b>Monster 750</b>	M100AA	750	2	1997-2002		0.8	DCR8EIX**	3606			
<b>Supersport 750 SS</b>	750SC	750	2	1994-2000		0.6	DCR9EIX**	6650			
<b>Supersport 750 SS ie</b>	V200AA	750	2	2000-		0.9	DPR7EA-9	5129	Q220	DPR7EIX-9	7803
<b>800 i.e. Monster</b>	V500AA	800	2	2003-2005		0.7	DCPR8E DCR8EIX**	4339 3606		DCPR8EIX	6546
<b>800 Sport</b>	V500AA	800	2	2003-		0.8	DCR8EIX**	3606			
<b>800 Sport</b>	V500AA	800	2	2003-		0.7	DCPR8E DCR8EIX**	4339 3606		DCPR8EIX	6546
<b>800 SuperSport</b>	V500AA	800	2	2003-		0.8	DCR8EIX**	3606			
<b>Hypermotard</b>	B101AA/ B102AA/B105AA	800	2	2013-	Germany	0.8	MAR9A-J	6869			
<b>Hypermotard 796</b>	B101AA/ B102AA/B105AA	800	2	2009-2012	Germany	0.7	DCPR8E	4339		DCPR8EIX	6546
<b>Monster 796</b>	M506AA	800	2	2010-		0.9	DCPR8E	4339		DCPR8EIX	6546
<b>Monster 800 i.e.</b>	M406AA	800	2	2003-		*	DCR8EIX**	3606			
<b>Monster 800 i.e. S</b>	M406AA	800	2	2003-		0.6	DCPR8E	4339		DCPR8EIX	6546
<b>Monster 800 Sport</b>	V500AA	800	2	2003-		0.6	DCPR8E	4339		DCPR8EIX	6546
<b>Monster 800 Super-sport ie</b>	V500AA	800	2	2003-		0.6	DCPR8E	4339		DCPR8EIX	6546
<b>Monster S2R</b>	M414AA/ M415AA	800	2	2005-2007		0.8	DCR8EIX**	3606			
<b>Monster Standard</b>	M406AA	800	2	2004-		0.6	DCPR8E	4339		DCPR8EIX	6546

\*Bitte Elektrodenabstand nach Angaben des Herstellers justieren

\*Please adjust the ground electrode gap

\*Veuillez vérifier l'écartement

\* Por favor, ajustar la distancia entre los electrodos

\*Regolare il gap

\* Iridium IX Spark Plug is the standard recommendation





Stock No.

Quick No.

Upgrade ↑

Stock No. ↑

**DUCATI**

<b>S2R 800</b>		800	2	2005-2008		0.7	DCPR8E DCR8EIX**	4339 3606		DCPR8EIX	6546
<b>Scrambler 800</b>		800	2	2015-		0.7	DCPR8E DCR8EIX**	4339 3606		DCPR8EIX	6546
<b>SS 800</b>		800	2	2003-		0.7	DCPR8E DCR8EIX**	4339 3606		DCPR8EIX	6546
<b>Hypermotard</b>		821	2	2013-		0.8	MAR9A-J	6869			
<b>Hyperstrada</b>		821	2	2013-		0.8	MAR9A-J	6869			
<b>Monster 821</b>		821	2	2014-	112hp	0.8	MAR9A-J	6869			
<b>Monster 821 Dark</b>		821	2	2014-		0.8	MAR9A-J	6869			
<b>848 Dark</b>	H600AA/ H601AA	848		2007-	Germany	0.8	MAR10A-J	4706			
<b>848</b>	H600AA/ H601AA	850	2	2007-	Germany	0.8	MAR10A-J	4706			
<b>848 Evo</b>	H600AA/ H601AA	850	2	2011-		0.8	MAR10A-J	4706			
<b>848 Evo Corse s.e.</b>	H600AA/ H601AA	850	2	2012-		0.8	MAR10A-J	4706			
<b>Streetfighter</b>	F102AA/ F103AA/F104JA	850	2	2012-		0.8	MAR10A-J	4706			
<b>851 S.P.,II,III,IV</b>	851S	851	2	-		0.6	DR9EIX**	4772			
<b>860 Desmo SS</b>		860	2	-	Germany	0.5	B6HS	4510		BR6HIX	3419
<b>888 SP5</b>	888S1	888	2	1993-		0.5	R2349-9	4418			
<b>888 Strada</b>		888	2	-1993		0.6	DR9EIX**	4772			
<b>888 Strada</b>	888S	888	2	1993-	Germany	0.6	R2525-9	4735			
<b>888 Strada</b>		888	2	1994-		0.6	DR9EA	3437	Q219	DR9EIX	4772
<b>899 Panigale</b>	H803AA/ H805JA/H804FA	899	2	2013-		0.8	MAR9A-J	6869			
<b>900 Darmah</b>	900SD	900	2	-		0.6	B6HS	4510		BR6HIX	3419
<b>900 SS Final Edition</b>	906SC2	900	2	1999-2003		0.9	DPR8EA-9	4929	Q221	DPR8EIX-9	2202
<b>900 Superlight</b>	906SC2	900	2	1992-		0.6	DCPR8E	4339		DCPR8EIX	6546
<b>900 Supersport</b>		900	2	1997-		0.9	DCPR8E DCR8EIX**	4339 3606		DCPR8EIX	6546
<b>900 Supersport FE</b>		900	2	1997-		0.9	DCPR8E DCR8EIX**	4339 3606		DCPR8EIX	6546
<b>M 900 I.E.</b>	M200AA	900	2	1999-		0.9	DCR8EIX**	3606			
<b>MH 900 E</b>	V300AA	900	2	2002-		0.6	DCPR8E	4339		DCPR8EIX	6546
<b>MH 900 Evoluzione</b>	V300AA	900	2	2000-		0.9	DPR8EA-9	4929	Q221	DPR8EIX-9	2202
<b>Monster 900 S ie</b>	M200AA	900	2	1999-		0.6	DCPR8E	4339		DCPR8EIX	6546
<b>Monster 900 Spezial</b>	M200AA	900	2	2000-	Germany	0.9	DPR8EA-9	4929	Q221	DPR8EIX-9	2202
<b>Monstro 900</b>	900M	900	2	-1999		0.6	DCPR8E	4339		DCPR8EIX	6546
<b>907 i.e.</b>	906PI2	907	2	-		0.6	DCPR8E	4339		DCPR8EIX	6546
<b>916</b>		916	2	1994-		*	DCPR9EIX**	2316			
<b>916 Biposto</b>	1SB8S/916S	916	2	1994-1997		0.5	DCR9EIX**	6650			
<b>916 Senna</b>	1SB8S/916S	916	2	1994-1997		0.5	DCR9EIX**	6650			
<b>916 SP</b>	916SP	916	2	1994-		0.6	R2349-10	6839			
<b>916 SPS Fogarty Replica</b>		916	2	1998-		0.6	R2349-10	6839			
<b>916 ST4 Sporttouring</b>	S200AA	916	2	1998-2003		0.8	DCPR9EIX**	2316			
<b>916 Strada</b>	1SB8S/916S	916	2	1994-1997		0.5	DCR9EIX**	6650			
<b>Monster 916 S4</b>	M400AA	916	2	2001-2003		0.6	DCR9EIX**	6650			
<b>Hypermotard 939</b>		939	2	2016-	113hp	0.8	MAR9A-J	6869			
<b>Hypermotard 939 SP</b>		939	2	2016-	113hp	0.8	MAR9A-J	6869			
<b>Hyperstrada 939</b>		939	2	2016-	113hp	0.8	MAR9A-J	6869			
<b>Supersport 939</b>		939	2	2017-	113hp	0.8	MAR9A-J	6869			
<b>Supersport S 939</b>		939	2	2017-	113hp	0.8	MAR9A-J	6869			
<b>944 ST2 Sporttouring</b>	S100AA	944	2	1997-2003		0.6	DCR8EIX**	3606			
<b>Multistrada 950</b>		950	2	2016-	113hp	0.8	MAR9A-J	6869			
<b>Panigale 959</b>		959	2	2016-	99hp	0.8	MAR9A-J	6869			

\*Bitte Elektrodenabstand nach Angaben des Herstellers justieren

\*Please adjust the ground electrode gap

\*Veuillez vérifier l'écartement

\* Por favor, ajustar la distancia entre los electrodos

\*Regolare il gap

\*\* Iridium IX Spark Plug is the standard recommendation





Stock No.

Quick No.

Upgrade ↑

Stock No. ↑

**DUCATI**

<b>Panigale 959</b>		959	2	2016-	157hp	0.8	MAR9A-J	6869			
<b>Desmosedici RR</b>	D100AA/D101AA	989	4	2007-2008		0.8	MAR10A-J	4706			
<b>GT1000</b>		992	2	2006-	Twin Spark	0.9	DCPR8E DCR8EIX**	4339 3606		DCPR8EIX	6546
<b>GT 1000 Sportclassic</b>	C103AA	992	2	2006-2010		0.9	DCPR8E	4339		DCPR8EIX	6546
<b>GT 1000 Sportclassic Touring</b>	C103AB	992	2	2006-2010		0.9	DCPR8E	4339		DCPR8EIX	6546
<b>Monster 1000 i.e.</b>		992	2	2003-	Twin Spark	0.9	DCPR8E DCR8EIX**	4339 3606		DCPR8EIX	6546
<b>Monster S2R</b>		992	2	2005-	Twin Spark	0.9	DCPR8E DCR8EIX**	4339 3606		DCPR8EIX	6546
<b>Monster S2R Dark 1000</b>		992	2	2005-	Twin Spark	0.9	DCPR8E DCR8EIX**	4339 3606		DCPR8EIX	6546
<b>Multistrada DS 1000</b>	A100AA/A100AB	992	2	2004-		0.6	DCPR8E	4339		DCPR8EIX	6546
<b>Paul Smart 1000 Limited Edition</b>		992	2	2005-2006	Twin Spark	0.9	DCPR8E DCR8EIX**	4339 3606		DCPR8EIX	6546
<b>Sport 1000</b>		992	2	2005-		0.9	DCPR8E DCR8EIX**	4339 3606		DCPR8EIX	6546
<b>Sport 1000 S</b>	C101AA/C102AB	992	2	2006-2010		0.9	DCPR8E	4339		DCPR8EIX	6546
<b>SS 1000 DS</b>		992	2	2003-2006	Twin Spark	0.9	DCPR8E DCR8EIX**	4339 3606		DCPR8EIX	6546
<b>ST3 1000 Sporttouring</b>	S300AA	992	2	2004-		0.6	CR9EB	6955			
<b>916 SP</b>	916SP	996	2	1998-		0.5	R2349-9	4418			
<b>916 SPS</b>	916SP	996	2	1998-		0.5	R2349-9	4418			
<b>996 B/S</b>		996	2	1998-		0.8	DCR9EIX**	6650			
<b>996 Biposto</b>		996	2	1998-		0.8	DCR9EIX**	6650			
<b>996 Biposto</b>	H100AA	996	2	1998-		0.5	DCR9EIX**	6650			
<b>996 R</b>	H200AA	996	2	2001-		0.6	R2349-10	6839			
<b>996 S</b>		996	2	2000-2002		0.8	DCR9EIX**	6650			
<b>996 SP</b>	H100AA	996	2	1998-		0.5	DCR9EIX**	6650			
<b>996 SP</b>	H100AA	996	2	1998-		0.6	R2349-9	4418			
<b>996 SPS</b>	H100AA	996	2	1998-		0.5	DCR9EIX**	6650			
<b>996 SPS</b>	H100AA	996	2	1998-		0.6	R2349-9	4418			
<b>996 SPS Factory</b>	H100AA	996	2	1998-		0.5	DCR9EIX**	6650			
<b>996 SPS Racing</b>	H100AA	996	2	1999-2000		0.6	R2349-10	6839			
<b>996 Strada</b>	H100AA	996	2	1998-		0.5	DCR9EIX**	6650			
<b>996 Strada Biposto</b>	H100AA	996	2	1998-		0.5	DCR9EIX**	6650			
<b>996 Strada Biposto</b>	H200AA	996	2	1999-2001		0.6	R2525-9	4735			
<b>Monster 996 S4R</b>		996	2	2003-2006		0.8	DCR9EIX**	6650			
<b>ST4S</b>		996	2	2000-		0.8	DCR9EIX**	6650			
<b>ST4S 996</b>	S200AA/S2001B	996	2	2003-2005		0.5	DCR9EIX**	6650			
<b>ST4S 996 ABS</b>	S200AA/ S301AA3B/ S301AA4B/ S301AB4B	996	2	2003-2005		0.6	DCPR9EIX**	2316			
<b>996 R</b>		998	2	2000-2002		0.6	CR9EB	6955			
<b>998 Biposto, R, S</b>		998	2	2001-		0.6	CR9EB	6955			
<b>998 Matrix</b>		998	2	2003-		0.6	CR9EB	6955			
<b>998 R</b>	H200AA	998	2	2001-		0.6	R2349-10	6839			
<b>999 R</b>	H200AA/ H400AA/ H400AM	998	2	2002-2006		0.6	CR9EB	6955			
<b>999 S</b>	H400AE/ H400AA/ H400AF/ H400AG/ H400AH	998	2	2002-2006		0.6	CR9EB	6955			
<b>Monster S4R</b>	M4417AA/ M417AA/ M418AA	998	2	2007-2007		0.6	CR9EB	6955			
<b>Monster S4R</b>	M4417AA/ M417AA/ M418AA	998	2	2008-		0.6	MAR10A-J	4706			

\* Bitte Elektrodenabstand nach Angaben des Herstellers justieren

\* Please adjust the ground electrode gap

\* Veuillez vérifier l'écartement

\* Por favor, ajustar la distancia entre los electrodos

\* Regolare il gap

\* Iridium IX Spark Plug is the standard recommendation





Stock No.

Quick No.

Upgrade ↑

Stock No. ↑

## DUCATI

<b>Monster S4RS</b>	M4417AA/ M417AA/ M418AA	998	2	2006-2007		0.6	CR9E	6263	Q227	CR9EIX	3521
<b>Monster S4RS</b>	M4417AA/ M417AA/ M418AA	998	2	2008-		0.6	MAR10A-J	4706			
<b>1000 DS</b>	A100AA	1000	2	2003-2005		*	DCR8EIX**	3606			
<b>1000 DS</b>	A100AB	1000	2	2006-		0.9	DCPR8E	4339		DCPR8EIX	6546
<b>1000 Sport</b>		1000	2	2003-		0.6	DCPR8E	4339		DCPR8EIX	6546
<b>1000 SuperSport</b>	V503AA	1000	2	2006-		0.9	DCPR8E	4339		DCPR8EIX	6546
<b>1000 Supersport ie</b>		1000	2	2003-		0.6	DCPR8E	4339		DCPR8EIX	6546
<b>Classic Sport 1000</b>	C102AA	1000	2	2006-2009		0.9	DCPR8E	4339		DCPR8EIX	6546
<b>Monster 1000</b>		1000	2	2003-		0.6	DCPR8E	4339		DCPR8EIX	6546
<b>Monster 1000 i.e.</b>	M400AA	1000	2	2003-2005		*	DCR8EIX**	3606			
<b>Monster S2R 1000</b>	M416AA	1000	2	2006-2008		0.9	DCPR8E	4339		DCPR8EIX	6546
<b>Monster Standard</b>	M400AA/ M404AA	1000	2	2004-		0.6	DCPR8E	4339		DCPR8EIX	6546
<b>Multistrada 1000</b>	A100AA	1000	2	2002-2005		*	DCR8EIX**	3606			
<b>Multistrada 1000</b>	A100AA/A100AB	1000	2	2004-2005		*	DCR8EIX**	3606			
<b>Multistrada 1000</b>	A100AB	1000	2	2006-		0.9	DCPR8E	4339		DCPR8EIX	6546
<b>Multistrada 1000 DS</b>	A100AA/A100AB	1000	2	2004-2005		*	DCR8EIX**	3606			
<b>Multistrada 1000 DS</b>	A100AB	1000	2	2006-		0.9	DCPR8E	4339		DCPR8EIX	6546
<b>Multistrada 1000 S</b>	A100AA/A100AB	1000	2	2004-2005		*	DCR8EIX**	3606			
<b>Multistrada 1000 S</b>	A100AB	1000	2	2006-		0.9	DCPR8E	4339		DCPR8EIX	6546
<b>Sport 1000</b>	C102AA	1000	2	2007-		0.6	DCPR8E	4339		DCPR8EIX	6546
<b>Sport 1000 Naked</b>	V500AA	1000	2	2007-		0.6	DCPR8E	4339		DCPR8EIX	6546
<b>Sport 1000 Sportclas- sic</b>	C100AA	1000	2	2006-2006		0.9	DCPR8E	4339		DCPR8EIX	6546
<b>ST3 1000</b>	S300AA	1000	2	2004-2008		0.6	CR9EB	6955			
<b>Hypermotard 1100</b>	B100AA	1078	2	2007-		0.9	DCPR8E	4339		DCPR8EIX	6546
<b>1098</b>	H700AA/ H701AA	1098	2	2007-		0.8	MAR10A-J	4706			
<b>1098S</b>	H700AA/ H701AA	1098	2	2007-		0.8	MAR10A-J	4706			
<b>1098S Tricolore</b>	H700AA/ H701AA	1098	2	2007-		0.8	MAR10A-J	4706			
<b>1098 Tricolore</b>	H700AA/ H701AA	1098	2	2007-		0.8	MAR10A-J	4706			
<b>Hypermotard 1100</b>	B100AA	1100	2	2007-2009	Twin Spark	0.9	DCPR8E	4339		DCPR8EIX	6546
<b>Hypermotard 1100 EVO</b>	B103AA/B106AA	1100	2	2010-		0.7	DCPR8E	4179		DCPR8EIX	6546
<b>Hypermotard 1100 EVO S</b>	B100AA	1100	2	2010-		0.7	DCPR8E	4179		DCPR8EIX	6546
<b>Hypermotard 1100 EVO SP Corse Edition</b>	B103AA/ B104AA/B107AA	1100	2	2012-		0.7	DCPR8E	4179		DCPR8EIX	6546
<b>Hypermotard 1100 S</b>	B100AA	1100	2	2007-2009	Twin Spark	0.9	DCPR8E	4339		DCPR8EIX	6546
<b>Monster 1100</b>	M502AA/ M510AA	1100	2	2009-2010	Twin Spark	0.7	DCPR8E	4179		DCPR8EIX	6546
<b>Monster 1100 EVO</b>		1100	2	2010-		0.7	DCPR8E	4179		DCPR8EIX	6546
<b>Monster 1100 S</b>	M502AA	1100	2	2009-2010	Twin Spark	0.7	DCPR8E	4179		DCPR8EIX	6546
<b>Multistrada 1100</b>	A109AA	1100	2	2008-2010		0.7	DCPR8E	4179		DCPR8EIX	6546
<b>Multistrada 1100 S</b>	A109AA	1100	2	2008-2010		0.7	DCPR8E	4179		DCPR8EIX	6546
<b>Panigale V4</b>		1100	4	2017-	214hp	*	LMDR10A-JS	97718			
<b>Panigale V4 S</b>		1100	4	2017-	214hp	*	LMDR10A-JS	97718			
<b>Panigale V4 Speciale</b>		1100	4	2017-	214hp	*	LMDR10A-JS	97718			
<b>Streetfighter 1100</b>	F100AA/F101AA	1100	2	2009-		0.8	MAR10A-J	4706			
<b>Streetfighter 1100 S</b>	F100AA/F101AA	1100	2	2009-		0.8	MAR10A-J	4706			
<b>1198</b>	H704AA/ H705AA	1198	2	2008-		0.8	MAR10A-J	4706			
<b>1198 R</b>	H702AA/ H702AB/H703AB	1198	2	2008-2009		0.8	MAR10A-J	4706			

\* Bitte Elektrodenabstand nach Angaben des Herstellers justieren

\* Please adjust the ground electrode gap

\* Veuillez vérifier l'écartement

\* Por favor, ajustar la distancia entre los electrodos

\* Regolare il gap

\*\* Iridium IX Spark Plug is the standard recommendation





Stock No.

Quick No.

Upgrade ↑

Stock No. ↑

**DUCATI**

<b>1198 R</b>	H702AA/ H702AB/H703AB	1198	2	2009-		0.8	MAR10A-J	4706			
<b>1198 R Corse</b>	H702AB/H703AB	1198	2	2010-		0.8	MAR10A-J	4706			
<b>1198 S</b>	H704AA/ H705AA	1198	2	2008-		0.8	MAR10A-J	4706			
<b>1198 SP</b>	H702AB/H703AB	1198	2	2010-		0.8	MAR10A-J	4706			
<b>1198 S R Corse</b>	H702AB/H703AB	1198	2	2010-		0.8	MAR10A-J	4706			
<b>Diavel 1200 ABS</b>	G100AA/ G100AB/ G101AB	1200	2	2011-	162hp	0.8	MAR9A-J	6869			
<b>Diavel 1200 AMG ABS</b>	G100AB/ G101AB/102JC	1200	2	2013-	162hp	0.8	MAR9A-J	6869			
<b>Diavel 1200 Carbon ABS</b>	G100AA/ G100AB/ G101AB	1200	2	2011-	162hp	0.8	MAR9A-J	6869			
<b>Monster 1200</b>		1200	2	2014-	135hp	0.8	MAR9A-J	6869			
<b>Monster 1200 R</b>	AA00AA/ AA01FA/AA02JA	1200	2	2016-	Twin Spark 160hp	0.8	MAR9A-J	6869			
<b>Monster 1200 R</b>		1200	2	2016-	Twin Spark 95hp	0.8	MAR9A-J	6869			
<b>Monster 1200 S</b>		1200	2	2014-	145hp	0.8	MAR9A-J	6869			
<b>Multistrada 1200</b>	A200AA/A201AA	1200	2	2010-2012		0.8	MAR9A-J	6869			
<b>Multistrada 1200</b>	A300AA/A301FA	1200	2	2013-2014	150hp	0.8	MAR10A-J	4706			
<b>Multistrada 1200 Enduro</b>		1200	2	2016-	Twin Spark 101hp	0.8	MAR9A-J	6869			
<b>Multistrada 1200 Enduro</b>	A04AA/A04JA/ AB00FA	1200	2	2016-	Twin Spark 160hp	0.8	MAR9A-J	6869			
<b>Multistrada 1200 S</b>	A200AD/A201AD	1200	2	2010-2012		0.8	MAR9A-J	6869			
<b>Multistrada 1200 S GT</b>	A300AA/ A301FA/A302JA	1200	2	2013-2014		0.8	MAR10A-J	4706			
<b>Panigale 1199</b>	H800AB/H801AB	1200	2	2012-2014		0.8	MAR9A-J	6869			
<b>Panigale 1199 R</b>	H800AB/ H800AD/ H801AB/H802JA	1200	2	2013-2014	195hp	0.8	MAR9A-J	6869			
<b>Panigale 1199 R</b>	H900AA/ H901FA/H902JA	1200	2	2015-	205hp	0.8	MAR9A-J	6869			
<b>Panigale 1199 S</b>	H800AA/ H801AA	1200	2	2012-2014	195hp	0.8	MAR9A-J	6869			
<b>Panigale 1199 S Tri-colore</b>	H800AB/H801AB	1200	2	2012-2013	195hp	0.8	MAR9A-J	6869			
<b>Superleggera 1199</b>	H806AA/ H808JA/H807FA	1200	2	2014-2014		0.8	MAR9A-J	6869			
<b>Multistrada 1260</b>		1260	2	2018-	Twin Spark 158hp	0.8	MAR9A-J	6869			
<b>Multistrada 1260 Pikes Peak</b>		1260	2	2018-	Twin Spark 158hp	0.8	MAR9A-J	6869			
<b>Multistrada 1260 S</b>		1260	2	2018-	Twin Spark 158hp	0.8	MAR9A-J	6869			
<b>Multistrada 1260 S D air</b>		1260	2	2018-	Twin Spark 158hp	0.8	MAR9A-J	6869			
<b>Xdiavel 1260</b>	GA00AA/ GA01JA/GB00FA	1260	2	2016-	Twin Spark 156hp	0.8	MAR9A-J	6869			
<b>Xdiavel 1260</b>		1260	2	2016-	Twin Spark 98hp	0.8	MAR9A-J	6869			
<b>Xdiavel 1260 S</b>	GA00AA/ GA01JA/GB00FA	1260	2	2016-	Twin Spark	0.8	MAR9A-J	6869			
<b>Panigale 1299</b>		1299	2	2015-	205hp	0.8	MAR9A-J	6869			
<b>Panigale 1299 R Final Edition</b>		1299	2	2018-	209hp	0.8	MAR10A-J	4706			
<b>Panigale 1299 S</b>		1299	2	2015-	205hp	0.8	MAR9A-J	6869			
<b>Panigale 1299 S Anniversario</b>	H903AA/H904FA	1299	2	2017-	205hp	0.8	MAR9A-J	6869			

**EBR**

<b>1190RX</b>		1190	2	2014-		0.8	CR9EKB	2305			
<b>1190SX</b>		1190	2	2014-		0.8	CR9EKB	2305			

**ENDRESS**

<b>EMR 50</b>		50	1	-		0.6	BR8HSA	5539			
---------------	--	----	---	---	--	-----	--------	------	--	--	--

\* Bitte Elektrodenabstand nach Angaben des Herstellers justieren

\* Please adjust the ground electrode gap

\* Veuillez vérifier l'écartement

\* Por favor, ajustar la distancia entre los electrodos

\* Regolare il gap

\* Iridium IX Spark Plug is the standard recommendation





Stock No.

Quick No.

Upgrade ↑

Stock No. ↑

**ENDRESS**

<b>EMR 50 DJ</b>		50	1	1997-		0.6	BR8HSA	5539			
<b>EMR 50 Ergon</b>		50	1	1997-		0.6	BP6HS	4511		BPR6HIX	4085

**EPELLA**

<b>Monkey 50 Edition</b>	JC50Q-7	50	1	2007-		0.7	CR6HSA	2983		CR6HIX	7274
<b>RT 50</b>		50	1	2007-		0.7	BPR7HS	6422		BPR7HIX	5944
<b>Chopper 2Z</b>		125	1	2007-		0.6	CR7HSA	4549		CR7HIX	7544
<b>G-Max 125 PGO</b>		125	1	2007-		0.6	CR7HSA	4549		CR7HIX	7544

**ERING**

<b>Speedy 25</b>		25	1	-		0.6	CR7HSA	4549		CR7HIX	7544
<b>Sprint 25</b>		25	1	-		0.6	CR7HSA	4549		CR7HIX	7544
<b>AT 50 pt 2</b>		50	1	1999-2001		0.6	B6HS	4510		BR6HIX	3419
<b>Cat 50</b>		50	1	1998-2002		0.6	B6HS	4510		BR6HIX	3419
<b>Jet 50</b>		50	1	1999-2002		0.6	B6HS	4510		BR6HIX	3419
<b>Rapido 50</b>		50	1	1999-2001		0.6	B6HS	4510		BR6HIX	3419
<b>RT 50</b>		50	1	2007-		0.6	B6HS	4510		BR6HIX	3419
<b>Silver Fox 50</b>		50	1	-		0.6	B6HS	4510		BR6HIX	3419
<b>Speedy 45</b>		50	1	-		0.6	CR7HSA	4549		CR7HIX	7544
<b>Sprint 45</b>		50	1	-		0.6	CR7HSA	4549		CR7HIX	7544
<b>Sprint 50</b>		50	1	-		0.7	C7HSA	4629		CR7HIX	7544
<b>Thunderbike 50</b>		50	1	-		0.6	B6HS	4510		BR6HIX	3419
<b>Cat 125</b>		125	1	-		0.6	CR7HSA	4549		CR7HIX	7544
<b>Shining 125</b>		125	1	-		0.6	CR7HSA	4549		CR7HIX	7544
<b>Thunderbike 125</b>		125	1	-		0.6	CR7HSA	4549		CR7HIX	7544

**EXPLORER**

<b>Spin GE50</b>		50	1	-		0.8	BR7ES	5122		BR7EIX	6664
------------------	--	----	---	---	--	-----	-------	------	--	--------	------

**FANTIC**

<b>Big Wheel 50</b>		50	1	1994-		0.5	B8HS	5510		BR8HIX	7001
<b>Caballero 50</b>		50	1	2006-		0.7	BR9ES	5722		BR9EIX	3981
<b>Gran Turismo</b>		50	1	-		0.5	B6HS	4510		BR6HIX	3419
<b>Grinta 50</b>		50	1	1995-		0.6	B7HS	5110		BR7HIX	7067
<b>Issimo</b>		50	1	-		0.5	B6HS	4510		BR6HIX	3419
<b>Issimo 50</b>		50	1	-		0.5	B5HS	4210			
<b>Issimo Convert</b>		50	1	-		0.5	B5HS	4210			
<b>Issimo Convert Kick 50</b>		50	1	-		0.5	B5HS	4210			
<b>Junior 50</b>		50	1	-		0.5	B5HS	4210			
<b>Lei 50</b>		50	1	-		0.5	B6HS	4510		BR6HIX	3419
<b>Queenie</b>		50	1	-		0.6	BP7HS	5111		BPR7HIX	5944
<b>Tender To 50</b>		50	1	-		0.5	B5HS	4210			
<b>Trial 50</b>		50	1	-		0.5	B7HS	5110		BR7HIX	7067
<b>Caballero 80</b>		75	1	-		0.5	B9HS	5810		BR9HIX	5687
<b>Koala 75</b>		75	1	-		0.5	B8ES	2411	Q201	BR8EIX	5044
<b>Oasis 75</b>		75	1	-		0.5	B8ES	2411	Q201	BR8EIX	5044
<b>Trial 75</b>		75	1	-		0.5	B8HS	5510		BR8HIX	7001
<b>Caballero 80</b>		80	1	-		0.5	B8EG	3430			
<b>Caballero 80 RC</b>		80	1	-		0.5	B8EG	3430			
<b>Enduro 80</b>		80	1	-		0.5	B8EG	3430			
<b>RSX 80</b>		80	1	-		0.5	B8EG	3430			
<b>Section 80</b>		80	1	1995-1997		0.5	BCP7ES	5030			
<b>Caballero 125</b>		125	1	-		0.5	B9EG	3530			
<b>Competicion</b>		125	1	-		0.5	B7HS	5110		BR7HIX	7067

\*Bitte Elektrodenabstand nach Angaben des Herstellers justieren

\*Please adjust the ground electrode gap

\*Veuillez vérifier l'écartement

\*Por favor, ajustar la distancia entre los electrodos

\*Regolare il gap

\*\*Iridium IX Spark Plug is the standard recommendation





Stock No.

Quick No.

Upgrade ↑

Stock No. ↑

**FANTIC**

Cross 125		125	1	-		0.5	B9EG	3530			
Professional 125		125	1	-		0.5	B6HS	4510		BR6HIX	3419
RSX 125		125	1	-		0.5	B9EG	3530			
Trial		125	1	-		0.5	B7HS	5110		BR7HIX	7067
Trial 125		125	1	-		0.5	B6HS	4510		BR6HIX	3419
Trial 200		160	1	-		0.5	BP7HS	5111		BPR7HIX	5944
TX 160		160	1	-		0.5	B8EG	3430			
Enduro 175		175	1	-		0.5	B8EG	3430			
Trial 200		200	1	-		0.5	B6HS	4510		BR6HIX	3419
Trial 240		240	1	-		0.5	B6HS	4510		BR6HIX	3419
Section 250		250	1	1995-1997		0.5	BCP7ES	5030			
Trial 301		250	1	-		0.5	B8ES	2411	Q201	BR8EIX	5044
Trial 301 Competicion		250	1	-		0.5	BP5ES	6511		BPR5EIX	6597
Trial 305		250	1	-		0.5	B8ES	2411	Q201	BR8EIX	5044
Trial 307		250	1	-		0.5	B8ES	2411	Q201	BR8EIX	5044
Trial Coach 250		250	1	-		0.5	B8ES	2411	Q201	BR8EIX	5044
Trial K-Roo 250		250	1	-		0.5	B8ES	2411	Q201	BR8EIX	5044
TX 250		250	1	-		0.5	B8EG	3430			
TX 260		260	1	-		0.5	B8EG	3430			
Professional 300		300	1	-		0.5	B8EG	3430			
TX 330		330	1	-		0.5	B8EG	3430			

**FITE**

Champion H-Y		50	1	-		0.6	B8HS	5510		BR8HIX	7001
Cross CR-2		50	1	-		0.6	B8HS	5510		BR8HIX	7001
Cross CR-3		50	1	-		0.6	B6HS	4510		BR6HIX	3419
Safari BX		50	1	-		0.6	B6HS	4510		BR6HIX	3419
Safari BX		50	1	-		0.6	B8HS	5510		BR8HIX	7001
Sandy 4M		50	1	-		0.6	B8HS	5510		BR8HIX	7001
Small		50	1	-		0.6	B6HS	4510		BR6HIX	3419

**G+G**

Cruso		1200	2	2003-		*	BKR7EKC	7354			
Cruso S		1200	2	2003-		*	BKR7EKC	7354			

**GARELLI**

303 50		50	1	-		0.6	BPR7HS	6422		BPR7HIX	5944
Astro 50		50	1	-		0.6	BR9HS	4522		BR9HIX	5687
Astro 50		50	1	2001-		0.6	BR9HS	4522		BR9HIX	5687
Big Whell		50	1	1993-		0.6	BPR7HS	6422		BPR7HIX	5944
Flo 50		50	1	-		0.6	BPR7HS	6422		BPR7HIX	5944
FX 50		50	1	-		0.6	BR9HS	4522		BR9HIX	5687
Grinta 50		50	1	1993-		0.6	BP7HS	5111		BPR7HIX	5944
Hussar 50		50	1	-		0.6	BR8HSA	5539			
KRC 50		50	1	-		0.6	BR9HS	4522		BR9HIX	5687
KRS 50		50	1	-		0.6	BR9HS	4522		BR9HIX	5687
M 901 50		50	1	-		0.6	BR9HS	4522		BR9HIX	5687
Mars 50		50	1	-		0.6	BR9HS	4522		BR9HIX	5687
Match 50		50	1	-		0.6	BR8HSA	5539			
PMX Rally 50		50	1	-		0.6	BPR7HS	6422		BPR7HIX	5944
PMX Sport 50		50	1	-		0.6	BPR7HS	6422		BPR7HIX	5944
Pony 50		50	1	-		0.6	BP7HS	5111		BPR7HIX	5944
Queenie 50		50	1	1992-		0.6	BP7HS	5111		BPR7HIX	5944
Racing		50	1	-1993		0.6	BP7HS	5111		BPR7HIX	5944

\*Bitte Elektrodenabstand nach Angaben des Herstellers justieren

\*Please adjust the ground electrode gap

\*Veuillez vérifier l'écartement

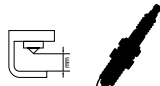
\* Por favor, ajustar la distancia entre los electrodos

\*Regolare il gap

\* Iridium IX Spark Plug is the standard recommendation







Stock No.

Quick No.

Upgrade ↑

Stock No. ↑

**GARELLI**

Racing SR		50	1	-1993		0.6	BP7HS	5111		BPR7HIX	5944
Raider 50		50	1	-		0.6	BR9HS	4522		BR9HIX	5687
Roadshow 50		50	1	-		0.6	BR9HS	4522		BR9HIX	5687
RZ1 50		50	1	-		0.6	BR9HS	4522		BR9HIX	5687
Shark 50		50	1	-		0.6	BR9HS	4522		BR9HIX	5687
SR 50		50	1	-		0.6	BP7HS	5111		BPR7HIX	5944
Starter 50		50	1	-		0.6	BR9HS	4522		BR9HIX	5687
Team Mat		50	1	-		0.5	B6HS	4510		BR6HIX	3419
XM-1		50	1	-		0.6	BR8HSA	5539			
PMX Sport		106	1	-		0.6	BR8HS	4915	Q212	BR8HIX	7001
PMX Sport 110		110	1	-		0.6	BPR6HS	7022		BPR6HIX	4085
303 R 125		125	1	-		0.5	CR7HSA	4549		CR7HIX	7544
Blast 125		125	1	-		0.5	CR7HSA	4549		CR7HIX	7544
GTA 125 / ES		125	1	-		0.5	B10ES	7928		BR10EIX	6801
Hussar 125		125	1	-		0.6	CR7HSA	4549		CR7HIX	7544
Hussar 125		125	1	2001-		0.6	CR7HSA	4549		CR7HIX	7544
Joker 125		125	1	2003-		0.7	CR7HSA	4549		CR7HIX	7544
T-Rex 125		125	1	-		0.6	CR7HSA	4549		CR7HIX	7544
Freeland 150		150	1	-		0.7	CR7HSA	4549		CR7HIX	7544
Joker 150		150	1	-		0.7	CR7HSA	4549		CR7HIX	7544
T-Rex 125		150	1	2001-		0.5	CR7HSA	4549		CR7HIX	7544
T-Rex 150		150	1	-		0.5	CR7HSA	4549		CR7HIX	7544
T-Rex 150		150	1	2001-		0.6	CR7HSA	4549		CR7HIX	7544

**GAS GAS**

Contact		50	1	-		0.6	B8HS	5510		BR8HIX	7001
EC Boy 50		50	1	2000-		0.5	B8HS	5510		BR8HIX	7001
EC Rookie 50		50	1	2000-		0.6	BR9ES	5722		BR9EIX	3981
Enducross		50	1	-		0.6	B8HS	5510		BR8HIX	7001
Endurocross Boy		50	1	-		0.6	BPR5ES	7422		BPR5EIX	6597
SM 50 Supermotard		50	1	2004-		0.6	B9ES	2611	Q202	BR9EIX	3981
TXT Boy		50	1	-		0.6	BPR5ES	7422		BPR5EIX	6597
TXT Boy 50		50	1	2004-		0.6	BR8ECM	3035		BR8ECMIX	3520
MC 65		65	1	2006-		0.7	BR10ES	4832		BR10EIX	6801
Husqvarna (TM)		75	1	-		0.5	B10EG	3630			
TXT Boy 80		80	1	-		0.5	BPR5ES	7422		BPR5EIX	6597
TXT PRO Racing		80	1	2015-		0.5	BPR5ES	7422		BPR5EIX	6597
Contact T 12		125	1	1994-		0.5	BP5ES	6511		BPR5EIX	6597
Cross TT 125		125	1	-		0.5	BR10EIX**	6801			
EC 125		125	1	1997-		0.6	B9EG	3530			
EC 125		125	1	2004-		0.6	BR9EG	3230			
Enducross 125		125	1	1997-		0.6	BR9EG	3230			
Enducross TT 125		125	1	1995-		0.5	BR10EIX**	6801			
Enduro 125		125	1	2002-		0.6	BR8EG	3130			
GT12		125	1	1993-1993	Water fluid	0.5	BP5ES	6511		BPR5EIX	6597
GT 125		125	1	1994-		0.5	BP5ES	6511		BPR5EIX	6597
Halley 125		125	1	2009-		0.7	BR9ES	5722		BR9EIX	3981
Husqvarna (TM)		125		-		0.5	B10EG	3630			
JT 125 Contact		125	1	1995-		0.5	BP5ES	6511		BPR5EIX	6597
MC 125		125	1	2004-		0.6	BR9EG	3230			
Pampera 125		125	1	1997-		0.8	BPR6ES	7822		BPR6EIX	6637
Pampera 125		125	1	2010-		0.8	BPR6ES	7822		BPR6EIX	6637
Racing, SIX		125	1	2010-		0.7	BR9EG	3230			

\* Bitte Elektrodenabstand nach Angaben des Herstellers justieren

\* Please adjust the ground electrode gap

\* Veuillez vérifier l'écartement

\* Por favor, ajustar la distancia entre los electrodos

\* Regolare il gap

\*\* Iridium IX Spark Plug is the standard recommendation





Stock No.

Quick No.

Upgrade ↑

Stock No. ↑

**GAS GAS**

Supermotard		125	1	-		0.7	BR9EG	3230			
Trial 125		125	1	-		0.5	BP5ES	6511		BPR5EIX	6597
Trial 125		125	1	1999-		0.6	BPR5ES	7422		BPR5EIX	6597
TT 125		125	1	-		0.6	BR8EG	3130			
TX 125		125	1	1997-1998		0.6	BPR5ES	7422		BPR5EIX	6597
TX Randonne		125	1	2011-	10mm Thread Size / 12,7mm Thread Reach	0.6	CR6HSA	2983		CR6HIX	7274
TXT 125		125	1	1999-		0.6	BPR5ES	7422		BPR5EIX	6597
TXT 125 Pro		125	1	2004-		0.6	BPR5ES	7422		BPR5EIX	6597
Contact T16		143	1	1994-		0.5	BP5ES	6511		BPR5EIX	6597
16 Contact		160	1	1995-		0.5	BP5ES	6511		BPR5EIX	6597
GT16		160	1	-	Water fluid	0.5	BP5ES	6511		BPR5EIX	6597
EC 200		200	1	1999-		0.6	BR10EIX**	6801			
EC 200		200	1	2004-		0.6	BR8EG	3130			
EC 200 Racing		200	1	2011-		0.7	BR8EG	3130			
Enduro 200		200	1	2002-		0.6	BR8EG	3130			
Endurocross		200	1	1999-		0.5	BR10EIX**	6801			
Endurocross		200	1	2002-		0.5	BR8EG	3130			
Pampera 200		200	1	-		0.8	BPR6ES	7822		BPR6EIX	6637
TT 200		200	1	-		0.6	BR8EG	3130			
TX 200		200	1	1997-1998		0.6	BPR5ES	7422		BPR5EIX	6597
TXT 200		200	1	1999-		0.6	BPR5ES	7422		BPR5EIX	6597
TXT 240 Trial		200	1	1999-		0.6	BPR5ES	7422		BPR5EIX	6597
Contact JT 25		238	1	1994-		0.5	BP5ES	6511		BPR5EIX	6597
GT 25		240	1	1994-		0.5	BP5ES	6511		BPR5EIX	6597
TXT 249 Trial		249	1	1999-		0.6	BPR5ES	7422		BPR5EIX	6597
250 MC		250	1	2004-		0.6	BR8EG	3130			
Contact 250		250	1	2015-		0.6	BPR5ES	7422		BPR5EIX	6597
Cross 250		250	1	-		0.6	BR8EG	3130			
Delta 25 GT		250	1	-		0.5	BP5ES	6511		BPR5EIX	6597
EC 250		250	1	1997-		0.5	B8EG	3430			
EC 250	EC	250	1	1997-		0.5	B8EG	3430			
EC 250	EC	250	1	2004-		0.6	BR8EG	3130			
EC 250 Racing		250	1	2010-		0.7	BR8EG	3130			
EC 250 SIX		250	1	2010-		0.7	BR8EG	3130			
ECF 250 4T		250	1	2010-2011		0.7	CR8E	4854	Q226	CR8EIX	4218
ECF 250 4T		250	1	2012-		0.6	CR9E	6263	Q227	CR9EIX	3521
ECF 250 SIX 4T		250	1	2010-2011		0.7	CR8E	4854	Q226	CR8EIX	4218
ECF 250 SIX 4T		250	1	2012-		0.6	CR9E	6263	Q227	CR9EIX	3521
Enducross	EC	250	1	1997-		0.6	BR8EG	3130			
Enducross 250		250	1	-		0.5	BR10EIX**	6801			
Enduro 250		250	1	2002-		0.6	BR8EG	3130			
Husqvarna (TM)		250		-		0.5	B10EG	3630			
MC 250		250	1	2004-		0.6	BR8EG	3130			
Pampera 250		250	1	1997-2003		0.6	BPR6ES	7822		BPR6EIX	6637
Pampera 250		250	1	2004-		0.5	BPR5ES	7422		BPR5EIX	6597
Piri-A 6 Magnum		250	1	-		0.5	BP5ES	6511		BPR5EIX	6597
Supermotard		250	1	-		0.5	BR8EG	3130			
Trial 250		250	1	-	Air	0.5	BP5ES	6511		BPR5EIX	6597
Trial 250		250	1	-	Water fluid	0.5	BP5ES	6511		BPR5EIX	6597
TT 250		250	1	-		0.6	BR8EG	3130			
TX 250		250	1	1997-1998		0.6	BPR5ES	7422		BPR5EIX	6597

\*Bitte Elektrodenabstand nach Angaben des Herstellers justieren

\*Please adjust the ground electrode gap

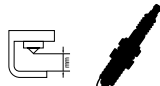
\*Veuillez vérifier l'écartement

\* Por favor, ajustar la distancia entre los electrodos

\*Regolare il gap

\* Iridium IX Spark Plug is the standard recommendation





Stock No.

Quick No.

Upgrade ↑

Stock No. ↑

**GAS GAS**

<b>TXT 250</b>		250	1	-	Italy	0.6	BPR5ES	7422		BPR5EIX	6597
<b>TXT 250 Pro</b>	TXT	250	1	2001-		0.6	BPR5ES	7422		BPR5EIX	6597
<b>TXT 250 Raga Replica</b>	TXT	250	1	2011-		0.6	BPR5ES	7422		BPR5EIX	6597
<b>TXT 270 Trial</b>	TXT	270	1	1999-		0.6	BPR5ES	7422		BPR5EIX	6597
<b>TXT 280</b>		272	1	2000-	Italy	0.5	BP5ES	6511		BPR5EIX	6597
<b>Pampera 280</b>		280		-		0.5	BPR5ES	7422		BPR5EIX	6597
<b>TXT 280</b>		280	1	-		0.6	BPR5ES	7422		BPR5EIX	6597
<b>TXT 280 Pro</b>	TXT	280	1	2004-		0.6	BPR5ES	7422		BPR5EIX	6597
<b>TXT 280 Racing</b>	TXT	280	1	2011-		0.6	BPR5ES	7422		BPR5EIX	6597
<b>TXT 280 Raga Replica</b>	TXT	280	1	2011-		0.6	BPR5ES	7422		BPR5EIX	6597
<b>TXT 280 Trial</b>	TXT	280	1	2000-		0.6	BPR5ES	7422		BPR5EIX	6597
<b>EC 300</b>		300	1	1999-	Italy	0.6	BR10EIX**	6801			
<b>EC 300</b>	EC	300	1	2004-		0.6	BR8EG	3130			
<b>EC 300 F</b>		300	1	2013-		0.6	CR9E	6263	Q227	CR9EIX	3521
<b>EC 300 Racing</b>	EC	300	1	2010-		0.7	BR8EG	3130			
<b>EC 300 SIX</b>	EC	300	1	2010-		0.7	BR8EG	3130			
<b>Enduro 300</b>		300	1	2002-		0.6	BR8EG	3130			
<b>TT 300</b>		300	1	-		0.6	BR8EG	3130			
<b>TXT 300</b>		300	1	-		0.5	BPR5ES	7422		BPR5EIX	6597
<b>TXT 300</b>	TXT	300	1	2011-		0.6	BPR5ES	7422		BPR5EIX	6597
<b>TXT 300 Pro</b>	TXT	300	1	2011-		0.6	BPR5ES	7422		BPR5EIX	6597
<b>TXT 300 Racing</b>	TXT	300	1	2011-		0.6	BPR5ES	7422		BPR5EIX	6597
<b>TXT 300 Raga Replica</b>	TXT	300	1	2011-		0.6	BPR5ES	7422		BPR5EIX	6597
<b>JT 320 Contact</b>	JT	320	1	1995-		0.5	BP5ES	6511		BPR5EIX	6597
<b>Pampera 320</b>		320	1	-		0.8	BPR6ES	7822		BPR6EIX	6637
<b>TX 320</b>	TX	320	1	1997-1998		0.6	BPR5ES	7422		BPR5EIX	6597
<b>TX,TXT 321</b>		321	1	1999-		0.5	BP5ES	6511		BPR5EIX	6597
<b>TXT 321</b>		321	1	1999-		0.6	BPR5ES	7422		BPR5EIX	6597
<b>TXT 321 Trial</b>	TXT	321	1	1999-		0.6	BPR5ES	7422		BPR5EIX	6597
<b>Delta 32 GT</b>		330	1	-		0.5	BP5ES	6511		BPR5EIX	6597
<b>Trial 327</b>		330	1	-		0.5	BP5ES	6511		BPR5EIX	6597
<b>Trial Halley PXC 325</b>		330	1	-		0.5	B9ES	2611	Q202	BR9EIX	3981
<b>JTR 370</b>	JTR	370	1	-		0.5	BPR5ES	7422		BPR5EIX	6597
<b>Pampera 370</b>	PP	370	1	1997-		0.6	BPR6ES	7822		BPR6EIX	6637
<b>EC 400 FSE</b>		400	1	2002-		0.7	CR8E	4854	Q226	CR8EIX	4218
<b>Pampera 400</b>		400	1	2006-		0.7	CR8E	4854	Q226	CR8EIX	4218
<b>SM 400</b>		400	1	-		0.7	CR8E	4854	Q226	CR8EIX	4218
<b>EC 450</b>	EC	450	1	2005-		0.6	CR8E	4854	Q226	CR8EIX	4218
<b>EC 450 FSE</b>		450	1	-		0.7	CR8E	4854	Q226	CR8EIX	4218
<b>FSE 450</b>		450	1	2003-		0.7	CR8E	4854	Q226	CR8EIX	4218
<b>Halley 450 R</b>		450	1	2008-		0.7	CR8E	4854	Q226	CR8EIX	4218
<b>Pampera 450</b>		450	1	2007-		0.7	CR8E	4854	Q226	CR8EIX	4218
<b>SM 450</b>		450	1	2004-		0.7	CR8E	4854	Q226	CR8EIX	4218
<b>SM 450 FSE</b>		450	1	-		0.7	CR8E	4854	Q226	CR8EIX	4218
<b>SM Halley 450</b>		450	1	2009-		0.7	CR8E	4854	Q226	CR8EIX	4218
<b>Normada 500</b>		500	1	-		0.5	D8EA	2120	Q216	DR8EIX	6681
<b>EC 515 FSR</b>	EC	515	1	2008-2010		0.7	CR8E	4854	Q226	CR8EIX	4218
<b>SM 515</b>		515	1	2008-2010		0.7	CR8E	4854	Q226	CR8EIX	4218

**GENERIC**

<b>50.com</b>		50	1	-		0.8	BR7ES	5122		BR7EIX	6664
<b>Atura K50</b>		50	1	-		0.5	BR8HSA	5539			
<b>Cracker 50</b>		50	1	2007-		0.8	BR7ES	5122		BR7EIX	6664

\*Bitte Elektrodenabstand nach Angaben des Herstellers justieren

\*Please adjust the ground electrode gap

\*Veuillez vérifier l'écartement

\* Por favor, ajustar la distancia entre los electrodos

\*Regolare il gap

\*\* Iridium IX Spark Plug is the standard recommendation





Stock No.

Quick No.

Upgrade ↑

Stock No. ↑

**GENERIC**

Epico 50		50	1	-		0.5	BR8HSA	5539			
Evolution 50		50	1	2007-		0.8	BR7ES	5122		BR7EIX	6664
Explorer Cracker 50		50	1	-		0.8	BR7ES	5122		BR7EIX	6664
Explorer Kallio 50		50	1	-		0.5	BR8HSA	5539			
Explorer Race 50		50	1	-		0.8	BR7ES	5122		BR7EIX	6664
Explorer Spin 50		50	1	-		0.8	BR7ES	5122		BR7EIX	6664
Explorer Twister 50		50	1	-		0.8	BR7ES	5122		BR7EIX	6664
Generic Cracker 50		50	1	-		0.8	BR7ES	5122		BR7EIX	6664
Generic Epico 50		50	1	-		0.5	BR8HSA	5539			
Generic Ideo 50		50	1	-		0.8	BR7ES	5122		BR7EIX	6664
Generic Onyx 50		50	1	-		0.5	BR8HSA	5539			
Generic Race 50		50	1	-		0.8	BR7ES	5122		BR7EIX	6664
Generic Toxic 50		50	1	-		0.8	BR7ES	5122		BR7EIX	6664
Generic Vendetta 50		50	1	-		0.5	BR8HSA	5539			
Generic XOR 50		50	1	-		0.8	BR7ES	5122		BR7EIX	6664
G-Ride 50.com		50	1	-		0.8	BR7ES	5122		BR7EIX	6664
G-Ride Evolution 50		50	1	-		0.8	BR7ES	5122		BR7EIX	6664
Ideo 50		50	1	-		0.8	BR7ES	5122		BR7EIX	6664
Kallio 50		50	1	-		0.5	BR8HSA	5539			
Limited 50		50	1	-		0.7	BR7ES	5122		BR7EIX	6664
Omen 50		50	1	-		0.8	BR7ES	5122		BR7EIX	6664
Onyx 50		50	1	-		0.5	BR8HSA	5539			
Race 50		50	1	-		0.8	BR7ES	5122		BR7EIX	6664
Race 50		50	1	2011-		0.7	BR8HSA	5539			
Race Limited 50		50	1	-		0.8	BR7ES	5122		BR7EIX	6664
Ride 50.com		50	1	-		0.8	BR7ES	5122		BR7EIX	6664
Ride Cracker 50		50	1	-		0.8	BR7ES	5122		BR7EIX	6664
Ride Evolution 50		50	1	-		0.8	BR7ES	5122		BR7EIX	6664
Ride Kallio 50		50	1	-		0.5	BR8HSA	5539			
Ride Omen 50		50	1	-		0.8	BR7ES	5122		BR7EIX	6664
Ride Race 50		50	1	-		0.8	BR7ES	5122		BR7EIX	6664
Ride Slash 50		50	1	-		0.8	BR7ES	5122		BR7EIX	6664
Ride Topic 50		50	1	-		0.8	BR7ES	5122		BR7EIX	6664
Ride Twister 50		50	1	-		0.8	BR7ES	5122		BR7EIX	6664
Ride Vendetta 50		50	1	-		0.5	BR8HSA	5539			
Roc 50		50	1	-		0.8	BR7ES	5122		BR7EIX	6664
Toxic 50		50	1	-		0.7	BR7ES	5122		BR7EIX	6664
Trigger 50		50	1	-		0.6	BR9ES	5722		BR9EIX	3981
Trigger SM		50	1	-		0.7	BR9ES	5722		BR9EIX	3981
Trigger SM		50	1	2007-		0.7	BR7ES	5122		BR7EIX	6664
Trigger SM Competition		50	1	-		0.7	BR9ES BR7ES	5722 5122		BR9EIX BR7EIX	3981 6664
Trigger X50		50	1	2007-		0.7	BR7ES	5122		BR7EIX	6664
Trigger X Competition		50	1	-		0.7	BR7ES BR9ES	5122 5722		BR7EIX BR9EIX	6664 3981
Trigger X Competition Full Power		50	1	-		0.7	BR9ES	5722		BR9EIX	3981
Twister 50		50	1	-		0.8	BR7ES	5122		BR7EIX	6664
Vendetta 50		50	1	-		0.5	BR8HSA	5539			
XOR 50		50	1	-		0.8	BR7ES	5122		BR7EIX	6664
XOR 50 Competition		50	1	2007-		0.7	BR7ES	5122		BR7EIX	6664
XOR 50 Williams		50	1	-		0.7	BR7ES	5122		BR7EIX	6664
XOR Stroke 50		50	1	2007-		0.7	BR7ES	5122		BR7EIX	6664
Explorer Race 125		125	1	-		0.7	CR8E	4854	Q226	CR8EIX	4218

\*Bitte Elektrodenabstand nach Angaben des Herstellers justieren

\*Please adjust the ground electrode gap

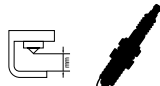
\*Veuillez vérifier l'écartement

\* Por favor, ajustar la distancia entre los electrodos

\*Regolare il gap

\* Iridium IX Spark Plug is the standard recommendation





Stock No.

Quick No.

Upgrade ↑

Stock No. ↑

**GENERIC**

Generic Race 125		125	1	-		0.7	CR8E	4854	Q226	CR8EIX	4218
Generic Soho 125		125	1	-		0.7	CR8E	4854	Q226	CR8EIX	4218
Generic XOR 125		125	1	-		0.5	CR7HSA	4549		CR7HIX	7544
Generic Zion 125		125	1	-		0.7	CR8E	4854	Q226	CR8EIX	4218
Race 125		125	1	-		0.7	CR8E	4854	Q226	CR8EIX	4218
Ride Sarrio 125		125	1	-		0.7	CR8E	4854	Q226	CR8EIX	4218
Soho 125		125	1	-		0.7	CR8E	4854	Q226	CR8EIX	4218
XOR 125		125	1	-		0.5	CR7HSA	4549		CR7HIX	7544
XOR 125 Williams		125	1	2008-		0.7	CR7HSA	4549		CR7HIX	7544
Zion125		125	1	-		0.7	CR8E	4854	Q226	CR8EIX	4218
Generic Soho 150		150	1	-		0.7	CR8E	4854	Q226	CR8EIX	4218
Soho 150		150	1	-		0.7	CR8E	4854	Q226	CR8EIX	4218

**GILERA**

CB1 4V		50	1	-		0.5	B6ES	7310			
CBA		50	1	-		0.5	B6HS	4510		BR6HIX	3419
DNA 50		50	1	2000-		0.6	BR9ES	5722		BR9EIX	3981
DNA 50		50	1	2001-		0.6	BR9ES	5722		BR9EIX	3981
DNA 50 GP		50	1	2002-		0.6	BR9ES	5722		BR9EIX	3981
Eaglet 50		50	1	1993-		0.6	B9ES	2611	Q202	BR9EIX	3981
Easy Mooving		50	1	1995-		0.6	B9ES	2611	Q202	BR9EIX	3981
EC 1		50	1	1992-		0.5	B5HS	4210			
GP 50		50	1	2002-		0.6	B9EG	3530			
Grande		50	1	-		0.5	B6HS	4510		BR6HIX	3419
GSM 50		50	1	2000-		0.7	BR9ES	5722		BR9EIX	3981
GSM Gilera 2T		50	1	2000-		0.6	BR9ES	5722		BR9EIX	3981
H@K 50		50	1	2000-		0.7	BR9ES	5722		BR9EIX	3981
Ice		50	1	2000-		0.6	BR9ES	5722		BR9EIX	3981
Ice		50	1	2002-		0.6	B9ES	2611	Q202	BR9EIX	3981
Jetrunner		50	1	2003-		0.8	CPR8E	7411			
Pure Jet 50		50	1	2004-		0.6	CPR8E	7411			
RCR 50		50	1	2004-	DERBI	0.5	BR9ES	5722		BR9EIX	3981
RCR 50 2T	RCR	50	1	2004-	DERBI	0.5	BR9ES	5722		BR9EIX	3981
RCR 50 4T		50	1	2006-		0.7	PMR7A	4259			
RK 50	RK	50	1	-		0.5	B9ES	2611	Q202	BR9EIX	3981
Runner		50	1	1997-		0.6	B9EG	3530			
Runner 2P 2D		50	1	1997-		0.6	B9ES	2611	Q202	BR9EIX	3981
Runner 50 2T		50	1	1997-		0.6	BR9ES	5722		BR9EIX	3981
Runner 50 4T		50	1	2004-		0.8	CPR8E	7411			
Runner DD		50	1	1997-		0.6	B9EG	3530			
Runner PJ		50	1	2005-		0.6	CPR8E	7411			
Runner Pure Jet		50	1	2003-		0.6	CPR8E	7411			
Runner Pure Jet Injection		50	1	2003-2005		0.6	CPR8E	7411			
Runner Racing Replica		50	1	2004-		0.6	BR9ES	5722		BR9EIX	3981
Runner RST 50		50	1	2005-		0.5	B9ES	2611	Q202	BR9EIX	3981
Runner SP		50	1	2000-		0.6	BR9ES	5722		BR9EIX	3981
SKP 50		50	1	1997-		0.5	BR9ES	5722		BR9EIX	3981
SMT 50		50	1	2005-		0.6	BR9ES	5722		BR9EIX	3981
SMT 50 2T		50	1	2013-		0.6	BR9ES	5722		BR9EIX	3981
SMT 50 4T		50	1	2006-		0.7	PMR7A	4259			
SS		50	1	-		0.5	B6HS	4510		BR6HIX	3419
SSV		50	1	-		0.5	B6HS	4510		BR6HIX	3419

\*Bitte Elektrodenabstand nach Angaben des Herstellers justieren

\*Please adjust the ground electrode gap

\*Veuillez vérifier l'écartement

\* Por favor, ajustar la distancia entre los electrodos

\*Regolare il gap

\*\* Iridium IX Spark Plug is the standard recommendation





Stock No.

Quick No.

Upgrade ↑

Stock No. ↑

**GILERA**

<b>Stalker</b>		50	1	1997-1999		0.6	B9ES	2611	Q202	BR9EIX	3981
<b>Stalker 50</b>		50	1	2000-		0.6	BR9ES	5722		BR9EIX	3981
<b>Stalker 50</b>		50	1	2003-		0.5	BR9ES	5722		BR9EIX	3981
<b>Stalker DD</b>		50	1	1997-		0.6	B9ES	2611	Q202	BR9EIX	3981
<b>Storm 50</b>		50	1	1994-1999		0.5	B9ES	2611	Q202	BR9EIX	3981
<b>Storm 50</b>		50	1	2000-		0.6	BR9ES	5722		BR9EIX	3981
<b>Super RE</b>		50	1	-		0.5	B6ES	7310			
<b>Super RL</b>		50	1	-		0.5	B6ES	7310			
<b>Trend 50</b>		50	1	-		0.6	B5HS	4210			
<b>Trial</b>		50	1	-		0.5	B7ES	1111		BR7EIX	6664
<b>Typhoon 50</b>		50	1	1993-		0.6	B9ES	2611	Q202	BR9EIX	3981
<b>Typhoon 50 Martini Racing</b>		50	1	1995-		0.6	B9ES	2611	Q202	BR9EIX	3981
<b>Typhoon Benetton F1</b>		50	1	1996-		0.6	B9ES	2611	Q202	BR9EIX	3981
<b>Zulu Trail</b>		50	1	2001-		0.6	B9ES	2611	Q202	BR9EIX	3981
<b>Jubilee</b>		90	1	-		0.5	B7ES	1111		BR7EIX	6664
<b>Giubileo 4T</b>		98	1	-		0.5	B8ES	2411	Q201	BR8EIX	5044
<b>125 C1</b>		125	1	-		0.5	BR10EIX**	6801			
<b>125 C3</b>		125	1	-		0.5	BR10EIX**	6801			
<b>125 Cross Competition</b>		125	1	-		0.5	BR10EIX**	6801			
<b>125 E1</b>		125	1	-		0.5	BR10EIX**	6801			
<b>125 Endurance</b>		125	1	-		0.5	B9ES	2611	Q202	BR9EIX	3981
<b>125 Enduro</b>		125	1	-		0.5	BR10EIX**	6801			
<b>Apache</b>	CX	125	1	-		0.6	B10EG	3630			
<b>Arizona</b>		125	1	-		0.5	B9EG	3530			
<b>Coguar</b>		125	1	-		0.9	DPR8EA-9	4929	Q221	DPR8EIX-9	2202
<b>Crono</b>		125	1	-		0.6	B10EG	3630			
<b>DNA 125</b>		125	1	2000-		0.7	CR8EB	7784			
<b>E1 Competition</b>		125	1	-		0.5	BR10EIX**	6801			
<b>Freestyle 2T</b>		125	1	-		0.6	B10EG	3630			
<b>GFR 125</b>	GFR	125	1	-		0.6	BR10EIX**	6801			
<b>HX 125</b>		125	1	-		0.5	BR10EIX**	6801			
<b>Nexus 125</b>		125	1	2007-2007		0.7	CR8EB	7784			
<b>Nexus 125</b>		125	1	2008-		0.7	CR8EKB	4374			
<b>Runner</b>	SP	125	1	1997-2000		0.5	B9EG	3530			
<b>Runner</b>	DD	125	1	1997-2000		0.5	B9EG	3530			
<b>Runner 125</b>		125	1	-		0.6	CR9E	6263	Q227	CR9EIX	3521
<b>Runner FX125</b>		125	1	1997-		0.6	BR9ES B9ES	5722 2611	Q202	BR9EIX	3981
<b>Runner RST 125</b>		125	1	2005-		0.7	CR8EB	7784			
<b>Runner ST 125</b>		125	1	2005-		0.7	CR8EB	7784			
<b>Runner VX 125</b>		125	1	2001-		0.7	CR9EB	6955			
<b>Runner VX 125</b>		125	1	2006-		0.7	CR8EB	7784			
<b>SC 125 2T</b>	SC	125	1	2006-		0.7	BR8ES	5422	Q207	BR8EIX	5044
<b>SC 125 4T</b>	SC	125	1	2007-	YAMAHA	0.7	BR8ES	5422	Q207	BR8EIX	5044
<b>Typhoon 125</b>		125	1	1995-		0.6	B9ES	2611	Q202	BR9EIX	3981
<b>XRI 125</b>		125	1	-		0.5	B9EG	3530			
<b>Runner 150</b>		150	1	1998-		0.6	BR9ES	5722		BR9EIX	3981
<b>DANN 180 Leader</b>	DANN-180	180	1	2000-		0.7	CR9EB	6955			
<b>DNA 180</b>		180	1	2000-		0.7	CR8EB	7784			
<b>DNA 180</b>		180	1	2001-		0.6	CR9EB	6955			
<b>Runner FXR 180</b>		180	1	1998-2001		0.6	BR9ES	5722		BR9EIX	3981
<b>Runner VXR</b>		180	1	2001-		0.6	CR9EB	6955			

\* Bitte Elektrodenabstand nach Angaben des Herstellers justieren

\* Please adjust the ground electrode gap

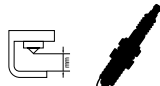
\* Veuillez vérifier l'écartement

\* Por favor, ajustar la distancia entre los electrodos

\* Regolare il gap

\* Iridium IX Spark Plug is the standard recommendation





Stock No.

Quick No.

Upgrade ↑

Stock No. ↑

**GILERA**

Runner 200 VXR		200	1	2002-2008		0.6	CR8EB	7784			
Runner ST 200		200	1	2008-		0.7	CPR8E	7411			
Runner ST 200		200	1	2008-		0.8	CR8EB	7784			
250 C3		250	1	-		0.5	BR10EIX**	6801			
250 KK		250	1	-		0.5	B9ES	2611	Q202	BR9EIX	3981
250 KZ		250	1	-		0.5	B9ES	2611	Q202	BR9EIX	3981
HX 250		250	1	-		0.5	BR10EIX**	6801			
Nexus 300 ie		250	1	2007-		0.7	PMR8B	6378			
Nexus 300 SP		250		2006-		0.6	CR8EB	7784			
NX 250 LC		250	1	-		0.5	BR10EIX**	6801			
Nexus 300		300	1	2009-		0.7	CR8EKB	4374			
Dakota 350		350	1	-		0.6	DPR8EA-9	4929	Q221	DPR8EIX-9	2202
Dakota 350		350	1	-		0.9	DP9EA-9	6629		DPR9EIX-9	5545
Dakota 350 ER		350	1	-		0.9	DP9EA-9	6629		DPR9EIX-9	5545
Fuoco 500		500	1	2007-		0.8	CR7EKB	4455			
Nexus 500		500	1	2004-	PIAGGIO	0.8	CR7EKB	4455			
RC 600		560	1	-		0.6	DPR8EA-9	4929	Q221	DPR8EIX-9	2202
600 FB Northwest		600	1	1992-		0.5	D8EA	2120	Q216	DR8EIX	6681
600 SS Supersport		600	1	2002-		0.7	CR9E	6263	Q227	CR9EIX	3521
RC 600		600	1	-1993		0.5	D8EA	2120	Q216	DR8EIX	6681
RC 600 C		600	1	1992-		0.5	D8EA	2120	Q216	DR8EIX	6681
GP 800		840	2	2007-		0.8	CR7EKB	4455			

**HARLEY-DAVIDSON MC**

Sportster 883		883	2	1995-2003		0.9	DPR7EA-9	5129	Q220	DPR7EIX-9	7803
Sportster 883 Iron		883	2	2009-		0.9	DCPR7EA-9	6651		DCPR7EIX	6046
Sportster 883 Low		883	2	2004-		0.9	DCPR7EA-9	6651		DCPR7EIX	6046
Sportster 883 R		883	2	2002-2003		0.9	DPR7EA-9	5129	Q220	DPR7EIX-9	7803
Sportster Custom 53		883	2	1998-2003		0.9	DPR7EA-9	5129	Q220	DPR7EIX-9	7803
Sportster Custom 53		883	2	2004-2005		0.9	DCPR7EA-9	6651		DCPR7EIX	6046
VRSC 1130 Night Rod		1130	2	2002-		0.9	DCPR8E	4339		DCPR8EIX	6546
VRSC 1130 Street Rod		1130	2	2002-		0.9	DCPR8E	4339		DCPR8EIX	6546
VRSC 1130 V-Rod		1130	2	2002-2009		1.0	DCPR8E	4339		DCPR8EIX	6546
VRSCA 1130 Night-Rod		1130	2	2006-		0.6	DCPR9E	2641		DCPR9EIX	2316
VRSCA 1130 V-Rod		1130	2	2002-		0.9	DPR9EA-9	5329	Q222	DPR9EIX-9	5545
VRSCDX 1130 Night Rod Special		1130	2	2007-		1.0	DCPR7E	3932		DCPR7EIX	6046
VRSCX 1130 V-Rod		1130	2	2007-		1.0	DCPR7E	3932		DCPR7EIX	6046
Sportster 1200 Custom		1200	2	2004-		1.0	DCPR8E	4179		DCPR8EIX	6546
Sportster 1200 Nightster		1200	2	2008-		1.0	DCPR8E	4339		DCPR8EIX	6546
XL 1200 C Sportster		1200	2	2007-		1.0	DCPR7E	3932		DCPR7EIX	6046
XL 1200 C Sportster Custom		1200	2	1996-		1.0	DCPR7E	3932		DCPR7EIX	6046
XL 1200 C Sportster Custom		1200	2	2007-		1.0	DCPR7E	3932		DCPR7EIX	6046
XL 1200 L Sportster		1200	2	2007-		1.0	DCPR7E	3932		DCPR7EIX	6046
XL 1200 L Sportster Low		1200	2	2007-		1.0	DCPR7E	3932		DCPR7EIX	6046
XL 1200 R Sportster		1200	2	2007-		1.0	DCPR7E	3932		DCPR7EIX	6046
XL 1200 S Sportster Sport		1200	2	1996-		1.0	DCPR7E	3932		DCPR7EIX	6046
XLH 1200 Sportster		1200	2	1992-1999		1.0	DCPR7E	3932		DCPR7EIX	6046
XR 1200		1200	2	2007-2008		1.0	DCPR7E	3932		DCPR7EIX	6046
XR 1200		1200	2	2008-		0.9	DCPR8E	4339		DCPR8EIX	6546
XR 1200		1200	2	2008-2009		1.0	DCPR8E	4339		DCPR8EIX	6546

\*Bitte Elektrodenabstand nach Angaben des Herstellers justieren

\*Please adjust the ground electrode gap

\*Veuillez vérifier l'écartement

\* Por favor, ajustar la distancia entre los electrodos

\*Regolare il gap

\*\* Iridium IX Spark Plug is the standard recommendation





Stock No.

Quick No.

Upgrade ↑

Stock No. ↑

**HARLEY-DAVIDSON MC**

XR 1200 X		1200	2	2010-		1.0	DCPR8E	4339		DCPR8EIX	6546
VRSC Screamin' Eagle V-Rod		1250	2	2004-		0.6	DCPR9E	2641		DCPR9EIX	2316
VRSC Night Rod Special		1250	2	2008-		1.0	DCPR8E	4339		DCPR8EIX	6546
VRSC V-Rod		1250	2	2008-		1.0	DCPR8E	4339		DCPR8EIX	6546
VRSC V-Rod 10th Anniversary		1250	2	2010-		1.0	DCPR8E	4339		DCPR8EIX	6546
VRSC V-Rod Muscle		1250	2	2010-		1.0	DCPR8E	4339		DCPR8EIX	6546
FKDWG Dyna Wide Glide		1340	2	-		0.8	BPR5ES	7422		BPR5EIX	6597
FLHR 1340 Electra Glide Road King		1340	2	1994-		0.8	BPR5ES	7422		BPR5EIX	6597
FLHR 1340 Electra Glide Road King Inj.		1340	2	1996-		1.1	BPR5ES-11	4424		BPR5EIX-11	2115
FLHRCi 1340 Road King Classic inj.		1340	2	1996-		1.1	BPR5ES-11	4424		BPR5EIX-11	2115
FLHRCi 1340 Road King Classic side car		1340	2	-		0.8	BPR5ES	7422		BPR5EIX	6597
FLHT 1340 Electra Glide Standard		1340	2	-		0.8	BPR5ES	7422		BPR5EIX	6597
FLHTCi 1340 Electra Glide Classic inj.		1340	2	1996-		1.1	BPR5ES-11	4424		BPR5EIX-11	2115
FLHTCU 1340 Electra Glide Ultra Classic		1340	2	-		0.8	BPR5ES	7422		BPR5EIX	6597
FLHTCUI 1340 Electra Glide Ultra Classic Inj.		1340	2	1996-		1.1	BPR5ES-11	4424		BPR5EIX-11	2115
FLSTF 1340 Fat Boy		1340	2	-		0.8	BPR5ES	7422		BPR5EIX	6597
FLSTS 1340 Heritage Softail Springer		1340	2	-		0.8	BPR5ES	7422		BPR5EIX	6597
FXD 1340 Dyna Super Glide		1340	2	-		0.8	BPR5ES	7422		BPR5EIX	6597
FXDL 1340 Dyna Low Rider		1340	2	-		0.8	BPR5ES	7422		BPR5EIX	6597
FXDS 'Conv Dyna Convertible		1340	2	-		0.8	BPR5ES	7422		BPR5EIX	6597
FXSTS 1340 Softail Springer		1340	2	-		0.8	BPR5ES	7422		BPR5EIX	6597
TXSTSB 1340 Bad Boy		1340	2	-		0.8	BPR5ES	7422		BPR5EIX	6597
FLHR 1450 Electra Glide Road King		1450	2	1999-2003		1.0	DCPR7E	3932		DCPR7EIX	6046
FLHRCi 1450 Road King Classic side car		1450	2	1999-2003		1.0	DCPR7E	3932		DCPR7EIX	6046
FLHRi 1450 Electra Glide Road King Classic Inj.		1450	2	1999-2003		1.0	DCPR7E	3932		DCPR7EIX	6046
FLHT 1450 Electra Glide Standard		1450	2	1999-2003		1.0	DCPR7E	3932		DCPR7EIX	6046
FLHTCUI 1450 Electra Glide Ultra Classic Inj.		1450	2	1999-2003		1.0	DCPR7E	3932		DCPR7EIX	6046
FLSTC 1450 Héritage Softail Classic		1450	2	1999-2003		1.0	DCPR7E	3932		DCPR7EIX	6046
FLSTCi 1450 Héritage Softail Classic inj.		1450	2	1999-2003		1.0	DCPR7E	3932		DCPR7EIX	6046
FLSTS 1450 Fat Boy		1450	2	1999-2003		1.0	DCPR7E	3932		DCPR7EIX	6046
FLSTSi 1450 Fat Boy inj.		1450	2	1999-2003		1.0	DCPR7E	3932		DCPR7EIX	6046
FL TC 88		1450	2	1998-2007		0.8	DCPR7E	3932		DCPR7EIX	6046
FXD 1450 Dyna Super Glide		1450	2	1999-2003		1.0	DCPR7E	3932		DCPR7EIX	6046
FXDL 1450 Dyna Low Rider		1450	2	1999-2003		1.0	DCPR7E	3932		DCPR7EIX	6046
FXDWG 1450 Dyna Wide Glide		1450	2	1999-2003		1.0	DCPR7E	3932		DCPR7EIX	6046
FXDX 1450 Dyna Super Glide Sport		1450	2	1999-2003		1.0	DCPR7E	3932		DCPR7EIX	6046
FXDXT 1450 Dyna Super Glide Touring Sport		1450	2	1999-2003		1.0	DCPR7E	3932		DCPR7EIX	6046

\* Bitte Elektrodenabstand nach Angaben des Herstellers justieren

\* Please adjust the ground electrode gap

\* Veuillez vérifier l'écartement

\* Por favor, ajustar la distancia entre los electrodos

\* Regolare il gap

\* Iridium IX Spark Plug is the standard recommendation







Stock No.

Quick No.

Upgrade ↑

Stock No. ↑

**HARLEY-DAVIDSON MC**

<b>FXST 1450 Softail</b>		1450	2	1999-2003		1.0	DCPR7E	3932		DCPR7EIX	6046
<b>FXSTB 1450 Night Train</b>		1450	2	1999-2003		1.0	DCPR7E	3932		DCPR7EIX	6046
<b>FXSTD 1450 Softail Deuce</b>		1450	2	1999-2003		1.0	DCPR7E	3932		DCPR7EIX	6046
<b>FXSTDi 1450 Softail Deuce inj.</b>		1450	2	1999-2003		1.0	DCPR7E	3932		DCPR7EIX	6046
<b>FXSTS 1450 Softail Springer</b>		1450	2	1999-2003		1.0	DCPR7E	3932		DCPR7EIX	6046
<b>FX TC 88</b>		1450	2	1998-2007		0.8	DCPR7E	3932		DCPR7EIX	6046
<b>Blackline</b>		1584	2	2011-		0.9	DCPR8E	4339		DCPR8EIX	6546
<b>CVO Fat Bob</b>		1584	2	2009-		0.9	DCPR8E	4339		DCPR8EIX	6546
<b>Dyna Wide Glide</b>		1584	2	2009-		0.8	DCPR8E	4339		DCPR8EIX	6546
<b>FLHR 1584 Road King</b>		1584	2	2007-		1.0	DCPR7E	3932		DCPR7EIX	6046
<b>FLHRC 1584 Road King Classic</b>		1584	2	2007-		1.0	DCPR7E	3932		DCPR7EIX	6046
<b>FLHRS 1584 Road King Custom</b>		1584	2	2007-		1.0	DCPR7E	3932		DCPR7EIX	6046
<b>FLHT 1584 Electra Glide Standard</b>		1584	2	2007-		1.0	DCPR7E	3932		DCPR7EIX	6046
<b>FLHTCU 1584 Ultra Classic Electra Glide</b>		1584	2	2007-		1.0	DCPR7E	3932		DCPR7EIX	6046
<b>FLHX 1584 Street Glide</b>		1584	2	2007-		1.0	DCPR7E	3932		DCPR7EIX	6046
<b>FLSTC 1584 Heritage Softail</b>		1584	2	2007-		1.0	DCPR7E	3932		DCPR7EIX	6046
<b>FLSTF 1584 Fat Boy</b>		1584	2	2007-		1.0	DCPR7E	3932		DCPR7EIX	6046
<b>FLSTN 1584 Softail Deluxe</b>		1584	2	2007-		1.0	DCPR7E	3932		DCPR7EIX	6046
<b>FLSTSB 1584 Cross Bones</b>		1584	2	2007-		0.9	DCPR8E	4339		DCPR8EIX	6546
<b>FLSTSC 1584 Softail Springer Classic</b>		1584	2	2007-		1.0	DCPR7E	3932		DCPR7EIX	6046
<b>FXDB 1584 Dyna Street</b>		1584	2	2007-		1.0	DCPR7E	3932		DCPR7EIX	6046
<b>FXDC 1584 Dyna Super Glide Custom</b>		1584	2	2007-		1.0	DCPR7E	3932		DCPR7EIX	6046
<b>FXDL 1584 Dyna Low Rider</b>		1584	2	2007-		1.0	DCPR7E	3932		DCPR7EIX	6046
<b>FXDWG 1584 Dyna Wide Glide</b>		1584	2	2007-		1.0	DCPR7E	3932		DCPR7EIX	6046
<b>FXSTB 1584 Night Train</b>		1584	2	2007-		1.0	DCPR7E	3932		DCPR7EIX	6046
<b>FXSTC 1584 Softail Custom</b>		1584	2	2007-		1.0	DCPR7E	3932		DCPR7EIX	6046
<b>Softail Rocker ©</b>		1584	2	2008-		0.9	DCPR8E	4339		DCPR8EIX	6546
<b>Twin Cam 96B Models</b>		1584		2009-		0.9	DCPR8E	4339		DCPR8EIX	6546
<b>1586 'Dyna Fat Bob</b>		1586	2	2008-		1.0	DCPR8E	4339		DCPR8EIX	6546
<b>1586 'Dyna Street Bob</b>		1586	2	2007-2010		1.0	DCPR8E	4339		DCPR8EIX	6546
<b>1586 'Softail Custom</b>		1586	2	2008-		1.0	DCPR8E	4339		DCPR8EIX	6546
<b>1586 'Softail Deluxe</b>		1586	2	2007-2010		1.0	DCPR8E	4339		DCPR8EIX	6546
<b>1586 'Softail Deuce</b>		1586	2	2007-2007		1.0	DCPR8E	4339		DCPR8EIX	6546
<b>1586 'Softail Fatboy</b>		1586	2	2007-2010		1.0	DCPR8E	4339		DCPR8EIX	6546
<b>1586 'Softail Heritage Classic</b>		1586	2	2007-2010		1.0	DCPR8E	4339		DCPR8EIX	6546
<b>1586 Softail Springer Classic</b>		1586	2	2007-2007		1.0	DCPR8E	4339		DCPR8EIX	6546
<b>1586 Softail Standard</b>		1586	2	2007-2007		1.0	DCPR8E	4339		DCPR8EIX	6546
<b>1586 Touring Road Glide</b>		1586	2	2007-2010		1.0	DCPR8E	4339		DCPR8EIX	6546
<b>1586 Touring Road King</b>		1586	2	2007-2010		1.0	DCPR8E	4339		DCPR8EIX	6546
<b>1586 Touring Street Glide</b>		1586	2	2007-2010		1.0	DCPR8E	4339		DCPR8EIX	6546
<b>1586 Touring Ultra Classic E-Glide</b>		1586	2	2007-2010		1.0	DCPR8E	4339		DCPR8EIX	6546

\* Bitte Elektrodenabstand nach Angaben des Herstellers justieren

\* Please adjust the ground electrode gap

\* Veuillez vérifier l'écartement

\* Por favor, ajustar la distancia entre los electrodos

\* Regolare il gap

\*\* Iridium IX Spark Plug is the standard recommendation





Stock No.

Quick No.

Upgrade ↑

Stock No. ↑

## HARLEY-DAVIDSON MC

<b>FLHT 1586 Electra Glide Standard</b>		1586	2	2007-2010		1.0	DCPR8E	4339		DCPR8EIX	6546
<b>FLSTSB 1586 Cross Bones</b>		1586	2	2008-		1.0	DCPR8E	4339		DCPR8EIX	6546
<b>FXDC 1586 Dyna Super Glide Custom</b>		1586	2	2007-2010		1.0	DCPR8E	4339		DCPR8EIX	6546
<b>FXDL 1586 Dyna Low Rider</b>		1586	2	2007-2009		1.0	DCPR8E	4339		DCPR8EIX	6546
<b>FXDWG 1586 Dyna Wide Glide</b>		1586	2	2007-2010		1.0	DCPR8E	4339		DCPR8EIX	6546
<b>FXSTB 1586 Night Train</b>		1586	2	2007-2009		1.0	DCPR8E	4339		DCPR8EIX	6546
<b>1690 E-Glide Ultra Limited</b>		1690	2	2010-		1.0	DCPR8E	4339		DCPR8EIX	6546
<b>1800 CVO</b>		1800	2	2009-		1.0	DCPR8E	4339		DCPR8EIX	6546
<b>1800 CVO-LTRSE</b>		1800	2	2009-		1.0	DCPR8E	4339		DCPR8EIX	6546
<b>1800 Fat Bob</b>		1800	2	2009-		1.0	DCPR8E	4339		DCPR8EIX	6546
<b>1800 Street Bob</b>		1800	2	2009-		1.0	DCPR8E	4339		DCPR8EIX	6546

## HERALD MOTOR COMPANY

<b>Vagabond 250 custom</b>			1	-		*	DR8EA	7162		DR8EIX	6681
<b>Classic 125</b>		125	1	2012-		*	CR7E	4578	Q225	CR7EIX	7385
<b>Classic 250</b>		250	1	2012-		*	DR8EA	7162		DR8EIX	6681
<b>Nomad custom</b>		250	1	2016-		*	DR8EA	7162		DR8EIX	6681
<b>Rambler custom</b>		250	1	2016-		*	DR8EA	7162		DR8EIX	6681
<b>Roamer custom</b>		250	1	2016-		*	DR8EA	7162		DR8EIX	6681

## HERCULES

<b>BT 50</b>		50	1	2005-	BAOTIAN	0.7	C7HSA	4629		CR7HIX	7544
<b>Jogging</b>		50	1	-		0.5	B6HS	4510		BR6HIX	3419
<b>Lastboy</b>		50	1	-		0.5	B7HS	5110		BR7HIX	7067
<b>Optima 50</b>		50	1	-		0.5	BR8HS	4915	Q212	BR8HIX	7001
<b>Prima 4</b>		50	1	-		0.5	B6HS	4510		BR6HIX	3419
<b>Prima 4LN</b>		50	1	-		0.5	B6HS	4510		BR6HIX	3419
<b>Prima 5</b>		50	1	-		0.5	B6HS	4510		BR6HIX	3419
<b>Prima 5LN</b>		50	1	-		0.5	B6HS	4510		BR6HIX	3419
<b>Prima 6</b>		50	1	-		0.5	B6HS	4510		BR6HIX	3419
<b>Prima G3</b>		50	1	-		0.5	B6HS	4510		BR6HIX	3419
<b>Prima GT</b>		50	1	-		0.5	B6HS	4510		BR6HIX	3419
<b>Prima GX</b>		50	1	-		0.5	B6HS	4510		BR6HIX	3419
<b>Prima Presto</b>		50	1	-		0.5	B6HS	4510		BR6HIX	3419
<b>Prima Pronto</b>		50	1	-		0.5	B6HS	4510		BR6HIX	3419
<b>Prima S</b>		50	1	-		0.5	B6HS	4510		BR6HIX	3419
<b>Prima SL</b>		50	1	-		0.5	B6HS	4510		BR6HIX	3419
<b>Prima SX</b>		50	1	-		0.5	B6HS	4510		BR6HIX	3419
<b>TB 50 Race</b>		50	1	2005-		0.6	BPR7HS	6422		BPR7HIX	5944
<b>K 100 X</b>		100	1	-		0.5	B8HS	5510		BR8HIX	7001
<b>175 GS</b>		175	1	-		0.5	B9ES	2611	Q202	BR9EIX	3981
<b>250 GS</b>		250	1	-		0.5	B9ES	2611	Q202	BR9EIX	3981

## HERO

<b>Blinker</b>		50		1994-		0.5	BP5ES	6511		BPR5EIX	6597
<b>Stark</b>		50		1994-		0.5	BP5ES	6511		BPR5EIX	6597
<b>Turbo Sport</b>		50		1994-		0.5	BP5ES	6511		BPR5EIX	6597

## HIGHLAND

<b>450 MX</b>		450	1	2007-		0.6	CR8E	4854	Q226	CR8EIX	4218
<b>Outback</b>		450	1	2003-		0.6	CR8E	4854	Q226	CR8EIX	4218

\* Bitte Elektrodenabstand nach Angaben des Herstellers justieren

\* Please adjust the ground electrode gap

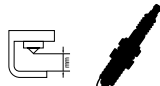
\* Veuillez vérifier l'écartement

\* Por favor, ajustar la distancia entre los electrodos

\* Regolare il gap

\* Iridium IX Spark Plug is the standard recommendation





Stock No.

Quick No.

Upgrade ↑

Stock No. ↑

## HIGHLAND

Allroad		950	2	2004-		0.6	CR8E	4854	Q226	CR8EIX	4218
Desert Strom		950	2	2006-		0.6	CR8E	4854	Q226	CR8EIX	4218
Dirt Trac		950	2	2007-		0.6	CR8E	4854	Q226	CR8EIX	4218
Super Motard		950	1	2007-		0.6	CR8E	4854	Q226	CR8EIX	4218

## HMRacing

Baja SX		50	1	1998-		0.5	B8ES	2411	Q201	BR8EIX	5044
CRX Junior		50	1	2001-		0.5	B8HS	5510		BR8HIX	7001
CRX Racing Junior		50	1	2001-		0.5	B8HS	5510		BR8HIX	7001
CRX Racing Senior		50	1	2001-		0.5	B8HS	5510		BR8HIX	7001
CRX Senior		50	1	2001-		0.5	B8HS	5510		BR8HIX	7001
Derapage		50	1	1998-		0.5	B8ES	2411	Q201	BR8EIX	5044
MX Junior		50	1	2001-		0.5	B8HS	5510		BR8HIX	7001
MX Senior		50	1	2001-		0.5	B8HS	5510		BR8HIX	7001
Six		50	1	1998-		0.5	B8ES	2411	Q201	BR8EIX	5044

## HMZ

Cab SB50		50	1	1996-		0.6	BP6HS	4511		BPR6HIX	4085
Cruise 125		125	1	1996-		0.6	D8EA	2120	Q216	DR8EIX	6681

## HONDA

CB 50 V Dream	CB	50	1	1998-		0.9	CR8EH-9	5666	Q228	CR8EHIX-9	3797
CRF 50 F	CRF	50	1	2004-		0.7	CR6HSA	2983		CR6HIX	7274
CRF 50 F	AE03	50	1	2007-		0.7	CR6HSA	2983		CR6HIX	7274
DIO 50		50	1	2004-		0.7	ER8EH-N	5606		ER8EHIX	8201
NH 50 M	AF01	50	1	1993-		0.7	BPR6HS	7022		BPR6HIX	4085
NSC 50 R	AF72C	50	1	2013-		0.9	CR7HSA-9	5147			
NSC 50 Vision		50	1	2012-		0.9	CR7HSA-9	5147			
PK 50 SM Wallaroo	AB25	50	1	1995-1997		0.7	BR6HSA	4461	Q210		
SA 50	AF29	50	1	1992-1995		0.7	BR6HSA	4461	Q210		
SFX 50	AF37A	50	1	1995-		0.6	BR6HSA	4461	Q210		
SFX 50	AF37	50	1	1996-2000		0.6	BR6HSA	4461	Q210		
SGX 50 Sky	AF43G	50	1	1997-		0.6	BR6HSA	4461	Q210		
SH 50	AF40A	50	1	1997-		0.7	BR6HSA	4461	Q210		
SH 50 Bali	AF40A	50	1	1996-2003	Constr.Code T/W/X/Y	0.6	BR6HSA	4461	Q210		
SH 50 New	AF40A	50	1	1997-		0.6	BPR6HS	7022		BPR6HIX	4085
SH 50 P Scoopy	AF40A	50	1	1993-1995		0.7	BPR6HSA	4632		BPR6HIX	4085
SH 50 R Scoopy	AF40A	50	1	1993-1995		0.7	BPR6HS	7022		BPR6HIX	4085
SH 50 Scoopy	AF40A	50	1	1996-2000		0.7	BR6HSA	4461	Q210		
SH 50 T Scoopy	AF40A	50	1	1996-		0.7	BR6HSA	4461	Q210		
SJ 50 Bali	AF323/VAF323E	50	1	1995-		0.6	BR6HSA	4461	Q210		
Sky 50 DX		50	1	1996-		0.6	BR6HSA	4461	Q210		
SRX 50	AF42 A/AF42 B	50	1	1997-1999		0.7	BR6HSA	4461	Q210		
SRX 50 Shadow	AF42 A/AF42 B	50	1	1997-		0.6	BR6HSA	4461	Q210		
SRX 50 T Joker		50	1	1997-1999		0.5	BR6HSA	4461	Q210		
SXR 50	AF37H	50	1	1998-	Constr.Code W	0.6	BR6HSA	4461	Q210		
SXR 50	AF37H	50	1	1999-2000	Constr.Code X	0.6	BR6HSA	4461	Q210		
SZ 50 X8R-S	AF49G/AF49H	50	1	1998-		0.6	BR6HSA	4461	Q210		
SZ 50 X8R-X	AF49G/AF49H	50	1	1998-		0.6	BR6HSA	4461	Q210		
TLM 50		50	1	-	Constr.Code E	0.7	B8ES	2411	Q201	BR8EIX	5044
X8R-S	AF49G	50	1	1998-		0.6	BR6HSA	4461	Q210		
X8R-X	AF49H	50	1	1998-		0.6	BR6HSA	4461	Q210		
XR 50		50	1	1993-2002		0.7	CR6HSA	2983		CR6HIX	7274

\*Bitte Elektrodenabstand nach Angaben des Herstellers justieren

\*Please adjust the ground electrode gap

\*Veuillez vérifier l'écartement

\* Por favor, ajustar la distancia entre los electrodos

\*Regolare il gap

\*\* Iridium IX Spark Plug is the standard recommendation





Stock No.

Quick No.

Upgrade ↑

Stock No. ↑

**HONDA**

<b>XR 50 Motard</b>		50	1	2005-	Constr.Code E	0.9	CR6HSA	2983		CR6HIX	7274
<b>XR 50 R</b>	AE03	50	1	2003-2004		0.7	CR6HSA	2983		CR6HIX	7274
<b>Zoomer</b>		50	1	2005-		0.7	ER8EH-N	5606		ER8EHIX	8201
<b>CRF 70 F</b>	DE02	70	1	2005-		0.7	CR6HSA	2983		CR6HIX	7274
<b>XR 70 R</b>	DE02	70	1	1997-2000		0.7	CR6HSA	2983		CR6HIX	7274
<b>XR 70 V</b>		70	1	-	Constr.Code E	0.6	CR6HSA	2983		CR6HIX	7274
<b>NS-1</b>	DC03	75	1	1996-1996		0.7	BR8ECS	3972		BR8EIX	5044
<b>CR 80 R</b>	HE04	80	1	1996-2002		0.6	BR10EG	3830			
<b>NH 80 MS</b>		80	1	1992-	Constr.Code N / P / R	0.7	BPR6HS	7022		BPR6HIX	4085
<b>NSR 80</b>	HC06	80	1	1993-1995		0.8	BR8ES	5422	Q207	BR8EIX	5044
<b>XR 80 R</b>		80	1	-	Constr.Code J	0.7	CR7HS	7223		CR7HIX	7544
<b>XR 80 R</b>	HE01	80	1	1992-1995		0.7	CR7HSA	4549		CR7HIX	7544
<b>CR 85 R</b>	HE07	85	1	2003-2008		0.6	BR10EG	3830			
<b>CR 85 R2</b>		85	1	2003-2006		0.5	BR10EG	3830			
<b>CR 85 RB</b>	HE07	85	1	2005-2008		0.6	BR10EG	3830			
<b>C 90 MT</b>		90	1	1996-2003		0.6	CR6HSA	2983		CR6HIX	7274
<b>EZ 90</b>	HE06	90	1	1993-1993		0.7	BR7HS	4737		BR7HIX	7067
<b>NH 90 M Lead</b>	HF05	90	1	1993-1993		0.7	BPR6HSA	4632		BPR6HIX	4085
<b>SRX 90 Shadow</b>	JH2	90	1	1998-	Constr.Code W/X	0.7	BR6HSA	4461	Q210		
<b>SXR 90 Joker</b>		90	1	2001-		0.6	BR6HSA	4461	Q210		
<b>CRF 100 F</b>	HE03	100	1	2005-		0.7	CR7HSA	4549		CR7HIX	7544
<b>CRF 100 F</b>		100	1	2008-		0.7	CR7HSA	4549		CR7HIX	7544
<b>Lead 100</b>		100	1	2008-		0.9	CR8EH-9	5666	Q228	CR8EHIX-9	3797
<b>SCV 100 Lead</b>		100	1	2003-		0.7	CR6HSA	2983		CR6HIX	7274
<b>SCV 100 Lead</b>		100	1	2008-		0.9	CR8EH-9	5666	Q228	CR8EHIX-9	3797
<b>SH 100 EX Baly</b>		100	1	1996-	Constr.Code T>Y	0.7	BR6HSA	4461	Q210		
<b>SH 100 T</b>		100	1	1996-		0.6	BR6HSA	4461	Q210		
<b>SH 100 T - Scoopy</b>		100	1	1996-		0.7	BR6HSA	4461	Q210		
<b>SJ 100 Bali</b>		100	1	1996-		0.6	BR6HSA	4461	Q210		
<b>XR 100 Motard</b>		100	1	2005-		0.9	CR7HSA	4549		CR7HIX	7544
<b>XR 100 R</b>	HE03	100	1	1996-2003	Constr.Code M>Y	0.7	CR7HSA	4549		CR7HIX	7544
<b>NHX 110 Lead (Fi)</b>	JF19A	108	1	2008-		0.9	CR8EH-9	5666	Q228	CR8EHIX-9	3797
<b>NSC 110 Vision</b>	JF19A	108	1	2011-		0.9	CPR8EA-9	2306		CPR8EAIX-9	96067
<b>AFS Wave 110i</b>		110	1	2012-2016		0.9	CPR6EA-9S	1582		CPR6EAIX-9S	93921
<b>CRF 110</b>		110	1	2013-		0.9	CPR6EA-9S	1582		CPR6EAIX-9S	93921
<b>CRF 110 F</b>		110	1	-		0.9	CPR6EA-9S	1582		CPR6EAIX-9S	93921
<b>CRF 110 F</b>	JE02A	110	1	2012-		0.9	CPR6EA-9S	1582		CPR6EAIX-9S	93921
<b>NHX 110 WH</b>		110	1	2008-		0.9	CR7EH-9	3486			
<b>NSC 110 Vision</b>		110	1	2011-		0.9	CPR8EA-9	2306		CPR8EAIX-9	96067
<b>SCR 110</b>		110	1	2013-		0.9	CPR8EA-9	2306		CPR8EAIX-9	96067
<b>Spacy scooter</b>		110	1	2012-2014	Water fluid	0.9	MR8C-9N	97985			
<b>ANF 125i Innova</b>		125	1	2007-		0.9	CPR6EA-9	6899		CPR6EAIX-9S	93921
<b>ANF 125 Innova</b>	JC37	125	1	2007-		0.9	CPR6EA-9	6899		CPR6EAIX-9S	93921
<b>CA 125 Rebel</b>	JC24	125	1	1995-1996	Constr.Code S>Y	0.7	CR6HSA	2983		CR6HIX	7274
<b>CA 125 Rebel</b>	JC26	125	1	1997-2000		0.7	CR6HSA	2983		CR6HIX	7274
<b>CB 125 F</b>		125	1	2015-		0.9	CPR7EA-9	3901		CPR7EAIX-9	9198
<b>CB 125 R</b>		125	1	2018-	13hp	0.9	CPR7EA-9	3901		CPR7EAIX-9	9198
<b>CBF 125 M</b>	JC40	125	1	2009-		0.9	CPR7EA-9	3901		CPR7EAIX-9	9198
<b>CBR 125 R</b>	JC34	125	1	2004-2006		0.7	CR9E	6263	Q227	CR9EIX	3521

\*Bitte Elektrodenabstand nach Angaben des Herstellers justieren

\*Please adjust the ground electrode gap

\*Veuillez vérifier l'écartement

\* Por favor, ajustar la distancia entre los electrodos

\*Regolare il gap

\* Iridium IX Spark Plug is the standard recommendation





Stock No.

Quick No.

Upgrade ↑

Stock No. ↑

**HONDA**

<b>CBR 125 R</b>	JC39	125	1	2007-2010		0.7	CR8E	4854	Q226	CR8EIX	4218
<b>CBR 125 RR</b>		125	1	2003-		0.6	CR8E	4854	Q226	CR8EIX	4218
<b>CBR 125 RW</b>		125	1	2011-	Constr.Code B>F	0.6	CR8E	4854	Q226	CR8EIX	4218
<b>CC 125</b>		125	1	-		0.7	D8EA	2120	Q216	DR8EIX	6681
<b>CG 125</b>		125	1	1992-1999	Constr.Code N>X	0.9	DPR8EA-9	4929	Q221	DPR8EIX-9	2202
<b>CG 125</b>	JC27	125	1	1998-1999	Italy	0.9	DPR8EA-9	4929	Q221	DPR8EIX-9	2202
<b>CH 125 IT Spacy</b>	JF03	125	1	1996-1999	Italy	0.9	DPR7EA-9	5129	Q220	DPR7EIX-9	7803
<b>CH 125 P</b>		125	1	-1993		0.9	DPR7EA-9	5129	Q220	DPR7EIX-9	7803
<b>CH 125 Spacy</b>		125	1	1992-	Constr.Code N/P/R/T	0.9	DPR7EA-9	5129	Q220	DPR7EIX-9	7803
<b>CH 125 Spacy</b>	JS03	125	1	1997-		0.9	DPR7EA-9	5129	Q220	DPR7EIX-9	7803
<b>CLR 125 CityFly</b>		125	1	1998-	Constr.Code X/Y	0.9	DPR8EA-9	4929	Q221	DPR8EIX-9	2202
<b>CLR 125 Cityfly</b>	JD18	125	1	1998-2000		0.9	DPR8EA-9	4929	Q221	DPR8EIX-9	2202
<b>CM 125 C Custom</b>		125	2	1992-	Constr.Code N/P/R	0.7	CR7HSA	4549		CR7HIX	7544
<b>CR 125 R</b>		125	1	2001-	Constr.Code ED	0.6	BR9EG	3230			
<b>CR 125 R</b>		125	1	2005-		0.6	BR9EG	3230			
<b>CR 125 R Cadre Alu</b>		125	1	1997-	Constr.Code W/X/Y/1	0.6	BR9EG	3230			
<b>CRF 125 F</b>		125	1	2014-		0.6	CPR6EA-9	6899		CPR6EAX-9S	93921
<b>Dylan 125</b>		125	1	2002-		0.9	CR8EH-9	5666	Q228	CR8EHIX-9	3797
<b>FES 125 Pantheon 2T</b>	JF05	125	1	1998-	Constr.Code W/X/Y/1	0.7	BR8ES	5422	Q207	BR8EIX	5044
<b>FES 125 Pantheon 4T</b>	JF12A	125	1	2003-		0.9	CR8EH-9	5666	Q228	CR8EHIX-9	3797
<b>FES 125 Silver Wing</b>	JF12A	125	1	2007-		0.9	CR8EH-9	5666	Q228	CR8EHIX-9	3797
<b>FES 125 Silver Wing ABS</b>	JF12B	125	1	2011-	Constr.Code AB>F	0.9	CR8EH-9	5666	Q228	CR8EHIX-9	3797
<b>MSX 125</b>	JC61	125	1	2013-		0.9	CPR6EA-9	6899		CPR6EAX-9S	93921
<b>NES @125</b>	JF07A	125	1	2000-		0.9	CR8EH-9	5666	Q228	CR8EHIX-9	3797
<b>NES 125 ES</b>	JF07B	125	1	2001-		0.9	CR8EH-9	5666	Q228	CR8EHIX-9	3797
<b>NES 125 Y</b>	JF07B	125	1	2001-		0.9	CR8EH-9	5666	Q228	CR8EHIX-9	3797
<b>NSR 125 F</b>	JC20	125	1	1997-2003		0.8	BR9ECS	3570		BR9ECSIX	5438
<b>NSR 125 R</b>	JC22	125	1	1997-2003		0.8	BR9ECS	3570		BR9ECSIX	5438
<b>NSS Forza 125 AD ABS</b>	JB 60 B	125	1	2015-2016	Constr.Code F 15hp	0.9	SILMAR8C9	90097			
<b>NSS Forza 125 AD ABS</b>	JB 60 A	125	1	2017-	Constr.Code H 15hp	0.9	SILMAR8C9	90097			
<b>PCX 125</b>		125	1	2010-2011		0.9	CPR7EA-9	3901		CPR7EAX-9	9198
<b>PCX 125 Auto.</b>		125	1	2012-		0.9	MR8C-9N	97985			
<b>PS 125 i</b>		125	1	2006-	13hp	0.9	CR8EH-9	5666	Q228	CR8EHIX-9	3797
<b>PS 150 i</b>		125	1	2006-	15hp	0.9	CR8EH-9	5666	Q228	CR8EHIX-9	3797
<b>RS 125 R</b>		125	1	2001-		0.6	R7376-10	4457			
<b>SES 125 Dylan</b>		125	1	2002-		0.9	CR8EH-9	5666	Q228	CR8EHIX-9	3797
<b>SH 125</b>	JF23B	125	1	2011-	Constr.Code B-F	0.9	CR8EH-9	5666	Q228	CR8EHIX-9	3797
<b>SH 125</b>		125	1	2017-	12hp	0.9	MR7G-9E	90312			
<b>SH 125 i</b>		125	1	2005-2012	13hp	0.9	CR8EH-9	5666	Q228	CR8EHIX-9	3797
<b>SH 125 i</b>	JF23A	125	1	2013-		0.9	CPR7EA-9	3901		CPR7EAX-9	9198
<b>SH 125 i Special</b>		125	1	2005-2012		0.9	CR8EH-9	5666	Q228	CR8EHIX-9	3797
<b>SH 125 i Sport</b>		125	1	2005-2012		0.9	CR8EH-9	5666	Q228	CR8EHIX-9	3797
<b>SH 125 Mode</b>	JF51A	125	1	2014-		0.9	CPR7EA-9	3901		CPR7EAX-9	9198
<b>SH 125 Scoopy</b>		125	1	2001-		0.9	CR8EH-9	5666	Q228	CR8EHIX-9	3797
<b>S-Wing 125</b>		125	1	2007-		0.9	CR8EH-9	5666	Q228	CR8EHIX-9	3797
<b>VT 125 C Shadow</b>	JC29	125	1	1999-2000		0.9	CR8EH-9	5666	Q228	CR8EHIX-9	3797
<b>VT 125 C Shadow</b>	JC31	125	1	2001-2008		0.9	CR8EH-9	5666	Q228	CR8EHIX-9	3797
<b>XL 125 VB-3E Varadéro De Luxe</b>		125	2	2011-		0.9	CR8EH-9	5666	Q228	CR8EHIX-9	3797
<b>XL 125 VB-EU Varadéro 125</b>		125	2	2011-		0.9	CR8EH-9	5666	Q228	CR8EHIX-9	3797

\*Bitte Elektrodenabstand nach Angaben des Herstellers justieren

\*Please adjust the ground electrode gap

\*Veuillez vérifier l'écartement

\* Por favor, ajustar la distancia entre los electrodos

\*Regolare il gap

\*\* Iridium IX Spark Plug is the standard recommendation





Stock No.

Quick No.

Upgrade ↑

Stock No. ↑

## HONDA

<b>XL 125 V Varadero</b>	JC32	125	2	2001-2007		0.9	CR8EH-9	5666	Q228	CR8EHIX-9	3797
<b>XL 125 V Varadero</b>	JC32	125	2	2008-		0.9	CR8EH-9	5666	Q228	CR8EHIX-9	3797
<b>XLR 125</b>		125	1	-1997		0.7	DR8ES-L	2923	Q218	DR9EIX	4772
<b>XLR 125 R</b>		125	1	1997-1999	Constr.Code W/X	0.9	DPR8EA-9	4929	Q221	DPR8EIX-9	2202
<b>XLR 125 R</b>	JD16	125	1	1998-1999		0.9	DPR8EA-9	4929	Q221	DPR8EIX-9	2202
<b>XLV 125 Varadero</b>		125	2	2001-		0.9	CR8EH-9	5666	Q228	CR8EHIX-9	3797
<b>XR 125 L</b>	JD19	125	1	2003-2006		0.9	DPR8EA-9	4929	Q221	DPR8EIX-9	2202
<b>CBF 150</b>		150	1	2014-		0.9	CPR8EA-9	2306		CPR8EAIX-9	96067
<b>CRF 150 F</b>		150	1	2006-		0.9	CPR8EA-9	2306		CPR8EAIX-9	96067
<b>CRF 150 R</b>		150	1	2006-		0.9	CPR8EA-9	2306		CPR8EAIX-9	96067
<b>CRF 150 R</b>		150	1	2007-		0.9	CR8EH-9	5666	Q228	CR8EHIX-9	3797
<b>CRF 150 R2</b>		150	1	2007-		0.9	CR8EH-9	5666	Q228	CR8EHIX-9	3797
<b>CRF 150 RB</b>	KE03	150	1	2008-2010		0.9	CR8EH-9	5666	Q228	CR8EHIX-9	3797
<b>Dylan 150</b>		150	1	2002-		0.9	CR8EH-9	5666	Q228	CR8EHIX-9	3797
<b>FES 150 Pantheon</b>	KF06A	150	1	2005-2011		0.9	CR8EH-9	5666	Q228	CR8EHIX-9	3797
<b>SH 150</b>		150	1	2017-	15hp	0.6	MR7G-9E	90312			
<b>SH 150i</b>		150	1	2006-		0.9	CR8EH-9	5666	Q228	CR8EHIX-9	3797
<b>SH 150i Spezial</b>		150	1	2006-		0.9	CR8EH-9	5666	Q228	CR8EHIX-9	3797
<b>SH 150i Sport</b>		150	1	2006-		0.9	CR8EH-9	5666	Q228	CR8EHIX-9	3797
<b>S-Wing 150</b>		150	1	2007-		0.9	CR8EH-9	5666	Q228	CR8EHIX-9	3797
<b>S-Wing 150 ABS</b>		150	1	2007-		0.9	CR8EH-9	5666	Q228	CR8EHIX-9	3797
<b>XR 200 R</b>	ME040	200	1	-	Constr.Code C	0.7	DR8ES-L	2923	Q218	DR9EIX	4772
<b>CRF 230 F</b>		230	1	2008-		0.8	DPR8EA-9	4929	Q221	DPR8EIX-9	2202
<b>CB 250</b>		250	1	1994-		0.7	CR6HSA	2983		CR6HIX	7274
<b>CB 250</b>	MC26	250	2	1996-1998		0.7	CR6HSA	2983		CR6HIX	7274
<b>CB 250 Nighthawk</b>	MC24	250	1	1992-2001		0.7	CR6HSA	2983		CR6HIX	7274
<b>CBF 250</b>	MC35A	250	1	2004-2006		0.9	CR8EH-9S	7750			
<b>CBF 250</b>		250	1	2006-		0.9	CR8EH-9	5666	Q228	CR8EHIX-9	3797
<b>CBR 250 R</b>		250	1	2011-		0.9	SIMR8A9	91064			
<b>CBR 250 RB</b>		250	1	2011-		0.9	SIMR8A9	91064			
<b>CBX 250 Twister</b>		250	1	2000-2002		0.9	CR8EH-9S	7750			
<b>CH 250 Spacy</b>	JF03	250	1	1996-1996		0.9	DPR7EA-9	5129	Q220	DPR7EIX-9	7803
<b>CMX 250 C Rebel</b>	MC13	250	2	1996-1996		0.7	CR6HSA	2983		CR6HIX	7274
<b>CMX 250 C Rebel</b>	MC32	250	2	1997-1999		0.7	CR6HSA	2983		CR6HIX	7274
<b>CN 250 Fusion</b>		250	1	-		0.9	DPR8EA-9	4929	Q221	DPR8EIX-9	2202
<b>Cota 4RT (Montesa)</b>	MT04	250	1	2009-		0.9	CR6EH-9	2688			
<b>CR 250 R</b>	CR	250	1	2001-	Constr.Code ED	0.6	BR8EG	3130			
<b>CR 250 R</b>	CR	250	1	2005-		0.6	BR9EG	3230			
<b>CR 250 RK5</b>	CR	250	1	2005-		0.8	BR9EG-N8	2689			
<b>CRF 250 L</b>		250	1	2012-		0.9	SIMR8A9	91064			
<b>CRF 250 M</b>		250	1	2013-		0.9	SIMR8A9	91064			
<b>CRF 250 R</b>	ME10	250	1	2004-2004		0.9	IMR9C-9H	6777			
<b>CRF 250 R</b>	ME10	250	1	2005-2008		0.7	R0409B-8	7791			
<b>CRF 250 R</b>	ME10	250	1	2009-2009		0.7	R0451B-8	9356			
<b>CRF 250 R</b>		250	1	2010-2010		0.7	R0451B-8	9356			
<b>CRF 250 X</b>	ME11	250	1	2004-2006		0.9	IMR9C-9H	6777			
<b>CRF 250 X</b>	ME11	250	1	2007-		0.7	R0409B-8	7791			
<b>FES 250 Foresight</b>	MF04	250	1	1997-	Constr.Code W/X/Y	0.9	DPR7EA-9	5129	Q220	DPR7EIX-9	7803
<b>FES 250 Foresight</b>		250	1	1998-	Italy	0.9	DPR7EA-9	5129	Q220	DPR7EIX-9	7803
<b>NSR 250</b>	MC28	250	2	1993-1996		0.6	BR9ECM	3252		BR9ECMIX	2707
<b>NSS 250 Forza</b>		250	1	2005-2007		0.9	DPR7EA-9	5129	Q220	DPR7EIX-9	7803
<b>NSS 250 Forza ABS</b>		250	1	2008-		0.9	LMAR8A-9	4313			

\* Bitte Elektrodenabstand nach Angaben des Herstellers justieren

\* Please adjust the ground electrode gap

\* Veuillez vérifier l'écartement

\* Por favor, ajustar la distancia entre los electrodos

\* Regolare il gap

\* Iridium IX Spark Plug is the standard recommendation





Stock No.

Quick No.

Upgrade ↑

Stock No. ↑

**HONDA**

<b>NSS 250 Jazz</b>		250	1	2002-		0.9	DPR7EA-9	5129	Q220	DPR7EIX-9	7803
<b>NSS Forza EX</b>		250	1	2009-		0.9	LMAR8A-9	4313			
<b>NSS Forza X</b>		250	1	2009-		0.9	LMAR8A-9	4313			
<b>NX 250 II</b>		250	1	1993-1997	Constr.Code P>V	0.9	CR9EH-9	7502	Q229	CR9EHIX-9	6216
<b>RS 250 R</b>		250	2	2001-		0.6	R7282-105	4985			
<b>XR 250 L</b>	XR250	250	1	1992-1995		0.7	DPR8Z	4730			
<b>XR 250 R</b>	ME080	250	1	1996-	Constr.Code T>Y	0.9	CR9EH-9	7502	Q229	CR9EHIX-9	6216
<b>CRF 260 L</b>		260	1	2013-2015	Constr.Code D/E/F	0.9	SIMR8A9	91064			
<b>CRF 260 M</b>		260	1	2013-2015	Constr.Code E/F	0.9	SIMR8A9	91064			
<b>NSS 300 Forza</b>		280	1	2013-		0.9	LMAR8A-9	4313			
<b>NSS 300</b>		300	1	2011-		0.9	LMAR8A-9	4313			
<b>SH 300 i</b>	NF02	300	1	2007-		0.9	LMAR8A-9	4313			
<b>SH 300 i</b>		300	1	2007-2010		0.9	LMAR8A-9	4313			
<b>SH 300 i</b>	NF02	300	1	2011-	Constr.Code AB>F 25hp	0.9	LMAR8A-9	4313			
<b>SH 300 i ABS</b>		300	1	2007-2010		0.9	LMAR8A-9	4313			
<b>SH 300 i Sport</b>		300	1	2007-2010		0.9	LMAR8A-9	4313			
<b>CBR 400 RR Fireblade</b>	NC29	400	4	1992-1999		0.9	CR8EH-9	5666	Q228	CR8EHIX-9	3797
<b>FJS 400 'Silverwing</b>		400	2	2006-		0.9	CR8EH-9	5666	Q228	CR8EHIX-9	3797
<b>RVF 400 R</b>	NC35	400	4	1994-1996		0.6	ER9EH	5869		ER9EHIX	96652
<b>SW-T 400</b>		400	2	2009-		0.9	CR8EH-9	5666	Q228	CR8EHIX-9	3797
<b>XR 400 R</b>	NE03	400	1	1996-2004	Constr.Code T>1	0.7	DPR8Z	4730			
<b>XR 400 R Monnier</b>		400	1	1999-		0.7	DPR8Z	4730			
<b>CRF 450</b>		450	1	2005-		1.1	IFR9H11	6588			
<b>CRF 450</b>		450	1	2009-		0.9	SILMAR9A9S	6213			
<b>CRF 450 R</b>	PE05	450	1	2002-2008	Constr.Code E/D	1.1	IFR8H11	5068			
<b>CRF 450 R</b>	PE05	450	1	2008-	For Racing use	0.9	SIL-MAR10A9S	7764			
<b>CRF 450 R</b>	PE05	450	1	2008-		0.9	SILMAR9A9S	6213			
<b>CRF 450 R Conduite Sportive</b>		450	1	2009-		0.9	SIL-MAR10A9S	7764			
<b>CRF 450 X</b>	PE06	450	1	2005-2008		1.1	IFR8H11	5068			
<b>CRS 450 R2</b>		450	1	2002-		1.1	IFR9H11	6588			
<b>CRS 450 R3</b>		450	1	2002-		1.1	IFR9H11	6588			
<b>CB 500</b>	PC26	500	2	1994-1995	Constr.Code R>Y	0.9	CR9EH-9	7502	Q229	CR9EHIX-9	6216
<b>CB 500</b>	PC32	500	2	1996-2003		0.9	CR8EH-9	5666	Q228	CR8EHIX-9	3797
<b>CB 500 Cup</b>	PC32	500	2	1998-1999		0.9	CR8EH-9	5666	Q228	CR8EHIX-9	3797
<b>CB 500 F</b>		500	2	2013-	48hp	0.9	CPR8EA-9	2306		CPR8EAIX-9	96067
<b>CB 500 S Sport</b>	PC32	500	2	1998-2003	Constr.Code W>Y	0.9	CR8EH-9	5666	Q228	CR8EHIX-9	3797
<b>CB 500 X</b>		500	2	2013-	48hp	0.9	CPR8EA-9	2306		CPR8EAIX-9	96067
<b>CBF 500</b>	PC39	500	2	2004-2008		0.9	CR8EH-9S	7750			
<b>CBF 500 N</b>		500	2	2004-2006		0.9	CR8EH-9S	7750			
<b>CBF 500 NA</b>		500	2	2004-2006		0.9	CR8EH-9S	7750			
<b>CBR 500 R</b>		500	2	2013-	47hp	0.9	CPR8EA-9	2306		CPR8EAIX-9	96067
<b>CMX 500 Rebel</b>	PC 56	500	2	2017-	46hp	0.9	CPR8EA-9	2306		CPR8EAIX-9	96067
<b>CR 500 R</b>	PE02	500	1	1993-2001		0.5	BR8EG	3130			
<b>CB 600 F Hornet</b>	PC34	600	4	1998-2002	Constr.Code W/X/Y/1	0.9	CR9EH-9	7502	Q229	CR9EHIX-9	6216
<b>CB 600 F Hornet</b>	PC36	600	4	2002-2006		0.9	CR9EH-9	7502	Q229	CR9EHIX-9	6216
<b>CB 600 F Hornet</b>	PC41	600	4	2007-		0.9	CR9EH-9	7502	Q229	CR9EHIX-9	6216
<b>CB 600 F Hornet</b>	PC41E	600	4	2011-		0.9	CR8EH-9	5666	Q228	CR8EHIX-9	3797
<b>CB 600 Hornet</b>	PC36	600	4	2005-		0.9	CR9EH-9	7502	Q229	CR9EHIX-9	6216
<b>CB 600 RR</b>		600	4	2009-		0.9	IMR9E-9HES	7556			
<b>CBF 600 N</b>	PC38	600	4	2004-2007		0.9	CR9EH-9	7502	Q229	CR9EHIX-9	6216
<b>CBF 600 N</b>	PC43	600	4	2008-2010		0.9	CR8EH-9	5666	Q228	CR8EHIX-9	3797

\*Bitte Elektrodenabstand nach Angaben des Herstellers justieren

\*Please adjust the ground electrode gap

\*Veuillez vérifier l'écartement

\*Por favor, ajustar la distancia entre los electrodos

\*Regolare il gap

\*\*Iridium IX Spark Plug is the standard recommendation





Stock No.

Quick No.

Upgrade ↑

Stock No. ↑

**HONDA**

<b>CBF 600 S</b>	PC38	600	4	2004-2007	Germany	0.9	CR9EH-9	7502	Q229	CR9EHIX-9	6216
<b>CBF 600 S</b>	PC43	600	4	2008-2010		0.9	CR8EH-9	5666	Q228	CR8EHIX-9	3797
<b>CBR 600 F</b>	PC31	600	4	1995-1998		0.9	CR9EH-9	7502	Q229	CR9EHIX-9	6216
<b>CBR 600 F</b>	PC35	600	4	1999-2000		0.9	CR9EH-9	7502	Q229	CR9EHIX-9	6216
<b>CBR 600 F</b>	PC35	600	4	2001-2007		0.9	IMR9C-9H	6777			
<b>CBR 600 F</b>	PC35	600	4	2001-2001		0.9	IMR9A-9H	6966			
<b>CBR 600 F</b>	PC41	600	4	2011-2013		0.9	CR9EH-9	7502	Q229	CR9EHIX-9	6216
<b>CBR 600 Hannspree</b>		600	4	2008-		0.9	IMR9C-9H	6777			
<b>CBR 600 RR</b>	PC37	600	4	2003-2004		0.9	IMR9C-9H	6777			
<b>CBR 600 RR</b>	PC37	600	4	2005-2006		0.9	IMR9C-9HES	5766			
<b>CBR 600 RR</b>	PC40	600	4	2007-2010		0.9	IMR9C-9HES	5766			
<b>CBR 600 RR ABS</b>		600	4	2009-		0.9	IMR9E-9HES	7556			
<b>CBR 600 RR ABS</b>		600	4	2011-	Constr.Code AB>F/2F/3F	0.9	IMR9C-9HES	5766			
<b>CBR 600 S</b>	PC35	600	4	2001-2002		0.9	IMR9C-9H	6777			
<b>CBR 600 S</b>	PC35	600	4	2001-2001		0.9	IMR9A-9H	6966			
<b>FES 600 Silver Wing</b>		600	2	2001-		0.9	CR8EH-9	5666	Q228	CR8EHIX-9	3797
<b>FJS Silver Wing</b>		600	2	2011-		0.9	IMR9C-9HES	5766			
<b>FJS Silver Wing ABS</b>	G2	600	2	2003-		0.9	CR8EH-9	5666	Q228	CR8EHIX-9	3797
<b>XL 600 V Transalp</b>	PD10	600	2	1997-2000		0.9	DPR8EA-9	4929	Q221	DPR8EIX-9	2202
<b>XR 600 R</b>		600	1	1993-1999	Constr.Code P>X	0.9	DPR8EA-9	4929	Q221	DPR8EIX-9	2202
<b>CB 650 F</b>	RC75	650	4	2014-2016	87hp	0.9	CR9EH-9	7502	Q229	CR9EHIX-9	6216
<b>CB 650 F</b>	RC75	650	4	2014-2016	48hp	0.9	CR9EH-9	7502	Q229	CR9EHIX-9	6216
<b>CB 650 F</b>	RC97	650	4	2017-	48hp	0.9	CR9EH-9	7502	Q229	CR9EHIX-9	6216
<b>CB 650 F</b>	RC97	650	4	2017-	90hp	0.9	CR9EH-9	7502	Q229	CR9EHIX-9	6216
<b>CBR 650 FA</b>		650	4	2014-	91hp	0.9	CR9EH-9	7502	Q229	CR9EHIX-9	6216
<b>FMX 650</b>	RD12	650	1	2005-2007		0.9	DPR8EA-9	4929	Q221	DPR8EIX-9	2202
<b>FX 650 Vigor</b>		650	1	1999-	Constr.Code X	0.9	DPR8EA-9	4929	Q221	DPR8EIX-9	2202
<b>FX 650 Vigor</b>	RD09	650	1	1999-2000		0.9	DPR8EA-9	4929	Q221	DPR8EIX-9	2202
<b>NT 650 V CBS Deauville</b>	RC47	650	2	2002-2005	Constr.Code E/D	0.9	DPR8EA-9	4929	Q221	DPR8EIX-9	2202
<b>NT 650 V Deauville</b>	RC47	650	2	1998-2001	Constr.Code W/X/Y/1	0.9	DPR8EA-9	4929	Q221	DPR8EIX-9	2202
<b>NX 650 Dominator</b>	RD08	650	1	1995-2000		0.9	DPR8EA-9	4929	Q221	DPR8EIX-9	2202
<b>SLR 650</b>	RD09	650	1	1997-1998	Constr.Code V / W	0.9	DPR8EA-9	4929	Q221	DPR8EIX-9	2202
<b>XL 650 V Transalp</b>	RD10	650	2	2000-2001		0.9	DPR8EA-9	4929	Q221	DPR8EIX-9	2202
<b>XL 650 V Transalp</b>	RD11	650	2	2002-2007		0.9	DPR8EA-9	4929	Q221	DPR8EIX-9	2202
<b>XL 650 V Transalp</b>	RD11	650	2	2005-		0.9	DPR8EA-9	4929	Q221	DPR8EIX-9	2202
<b>XR 650 L</b>	RD062	650	1	1993-1996		0.9	DPR8EA-9	4929	Q221	DPR8EIX-9	2202
<b>XR 650 R</b>	RE01	650	1	2000-2007		1.1	BKR8E-11	6587			
<b>NC 700 Integra</b>		670	2	2012-		1.1	IFR6G-11K	1314			
<b>NC 700 S</b>		670	2	2012-		1.1	IFR6G-11K	1314			
<b>NC 700 X</b>		670	2	2012-		1.1	IFR6G-11K	1314			
<b>NSA 700 DN-01</b>	RC55A	680	2	2008-2010		0.9	CPR8EA-9	2306		CPR8EAIX-9	96067
<b>NSA 700 DN-01</b>	RC55A	680	2	2011-		0.9	SIMR8A9	91064			
<b>NT 700 V Deauville</b>	RC52	680	2	2006-2009		0.9	CPR8EA-9	2306		CPR8EAIX-9	96067
<b>NT 700 V Deauville</b>	RC59	680	2	2010-		0.9	CPR8EA-9	2306		CPR8EAIX-9	96067
<b>XL 700 V Transalp</b>	RD13	680	2	2008-		0.9	CPR8EA-9	2306		CPR8EAIX-9	96067
<b>NC 700 SA</b>		700	2	2012-		1.1	IFR6G-11K	1314			
<b>NC 700 SD</b>		700	2	2012-		1.1	IFR6G-11K	1314			
<b>NC 700 XA</b>		700	2	2011-		1.1	IFR6G-11K	1314			
<b>NC 700 XD</b>		700	2	2011-		1.1	IFR6G-11K	1314			
<b>NC 750 Integra</b>		745	2	2014-		1.1	IFR6G-11K	1314			
<b>NC 750 S/X</b>		745	2	2014-		1.1	IFR6G-11K	1314			

\*Bitte Elektrodenabstand nach Angaben des Herstellers justieren

\*Please adjust the ground electrode gap

\*Veuillez vérifier l'écartement

\* Por favor, ajustar la distancia entre los electrodos

\*Regolare il gap

\* Iridium IX Spark Plug is the standard recommendation







Stock No.

Quick No.

Upgrade ↑

Stock No. ↑

**HONDA**

NM 4 Vultus		745	2	2014-		1.1	IFR6G-11K	1314			
CB 750		750	4	1992-1993		0.9	DPR8EA-9	4929	Q221	DPR8EIX-9	2202
CB 750 F2 Seven Fifty	RC42	750	4	1994-2003		0.9	DPR8EA-9	4929	Q221	DPR8EIX-9	2202
NC 750	RC71A/RC89A/ RC82A/RC92A/ RC70B/RC70C/ RC88A/RC88B/ RC72B/RC90A/ RC72C/RC90B	750	2	2014-	55hp	1.1	IFR6G-11K	1314			
NC 750	RC88A/RC88B/ RC90A/RC90B	750	2	2016-	48hp	1.1	IFR6G-11K	1314			
NR 750	RC40	750	4	1992-1993		0.7	ER9EH	5869		ER9EHIX	96652
NR 750 N		750	4	1992-		0.7	ER9EH	5869		ER9EHIX	96652
RVF 750 R	RC45	750	4	1994-1997	Constr.Code R>V	0.9	CR9EHIX* *9	6216			
VF 750 C Magna	RC43	750	4	1993-2000	Constr.Code P>V	0.9	CR8EH-9	5666	Q228	CR8EHIX-9	3797
VFR 750 F	RC36	750	4	1994-1997	Constr.Code R>V	0.9	CR9EH-9	7502	Q229	CR9EHIX-9	6216
VT 750 C2 Ace Spirit	RC44	750	2	1997-2002		0.9	DPR8EA-9	4929	Q221	DPR8EIX-9	2202
VT 750 C2B Shadow Black Spirit	RC53	750	2	2010-		0.9	DPR8EA-9	4929	Q221	DPR8EIX-9	2202
VT 750 C2 Shadow	RC44A	750	2	1999-	Constr.Code X/Y	0.9	DPR8EA-9	4929	Q221	DPR8EIX-9	2202
VT 750 C2 Shadow Spirit	RC53	750	2	2007-2009		0.9	DPR7EA-9	5129	Q220	DPR7EIX-9	7803
VT 750 C2S Shadow	RC53	750	2	2010-		0.9	DPR8EA-9	4929	Q221	DPR8EIX-9	2202
VT 750 C Shadow	RC44	750	2	1997-2000	Constr.Code V>Y	0.9	DPR8EA-9	4929	Q221	DPR8EIX-9	2202
VT 750 C Shadow	RC50	750	2	2004-2009		0.9	DPR7EA-9	5129	Q220	DPR7EIX-9	7803
VT 750 CS Shadow	RC50	750	2	2010-		0.9	DPR7EA-9	5129	Q220	DPR7EIX-9	7803
VT 750 DC Black Window	RC48	750	2	2000-2003		0.9	DPR8EA-9	4929	Q221	DPR8EIX-9	2202
VT 750 S	RC58	750	2	2010-		0.9	DPR7EA-9	5129	Q220	DPR7EIX-9	7803
VT 750 Shadow RS		750	2	2010-		0.9	DPR7EA-9	5129	Q220	DPR7EIX-9	7803
X-ADV 750	RC95	750	2	2017-	55hp	1.1	IFR6G-11K	1314			
X-ADV 750	RC95	750	2	2017-	48hp	1.1	IFR6G-11K	1314			
XRV 750 Africa Twin	RD07	750	2	1993-2003		0.9	DPR8EA-9	4929	Q221	DPR8EIX-9	2202
VFR 800 XAB Cross-runner	RC60	782	4	2012-		0.9	IMR9D-9H	6544			
VFR 800	RC46	800	4	2002-2010		0.9	IMR9B-9H	4888			
VFR 800 A	RC46	800	4	2002-		0.9	IMR9B-9H	4888			
VFR 800 F		800	4	1997-2001	Constr.Code W	0.8	CR9EH-9	7502	Q229	CR9EHIX-9	6216
VFR 800 Fi		800	4	1997-2001	Constr.Code X>Y	0.8	CR9EH-9	7502	Q229	CR9EHIX-9	6216
VFR 800 Fi V4 VTEC		800	4	2001-		0.9	IMR9B-9H	4888			
VFR 800 VTEC	LJH1	800	4	2013-		0.9	IMR9B-9H	4888			
VFR 800 X	RC60A	800	4	2011-	Constr.Code B	0.9	IMR9D-9H	6544			
CB 900 F Hornet	SC48	900	4	2002-2006	Constr.Code E/D	0.9	CR8EH-9	5666	Q228	CR8EHIX-9	3797
CBR 900	SC57	900	4	2004-		0.9	IMR9C-9HES	5766			
CBR 900 RR Fireblade	SC28	900	4	1992-1995	Constr.Code N>X	0.9	CR9EH-9	7502	Q229	CR9EHIX-9	6216
CBR 900 RR Fireblade	SC33	900	4	1996-1999	Constr.Code N>X	0.9	CR9EH-9	7502	Q229	CR9EHIX-9	6216
CBR 900 RR Fireblade	SC44	900	4	2000-2001	Constr.Code Y	0.9	IMR9A-9H	6966			
CBR 900 RR Fireblade	SC50	900	4	2002-2003	Constr.Code E/D	0.9	IMR9C-9H	6777			
CB 1000 F Big One	SC30	1000	4	1993-1999	Constr.Code P>X	0.9	DPR9EA-9	5329	Q222	DPR9EIX-9	5545
CB 1000 F Super Four	SC30	1000	4	1993-1996		0.9	DPR9EA-9	5329	Q222	DPR9EIX-9	5545
CB 1000 R	SC60	1000	4	2008-	145hp	0.9	IMR9E-9HES	7556			
CB 1000 R		1000	4	2011-		0.9	IMR9E-9HES	7556			
CB 1000 RA	SC60	1000	4	2008-		0.9	IMR9E-9HES	7556			
CB 1000 RA	SC60	1000	4	2009-		0.9	IMR9E-9HES	7556			
CBF 1000	SC58	1000	4	2006-2010		0.9	CR8EH-9	5666	Q228	CR8EHIX-9	3797
CBF 1000 A	SC58	1000	4	2006-		0.9	CR8EH-9	5666	Q228	CR8EHIX-9	3797
CBF 1000 F	SC64	1000	4	2010-2010		0.9	IMR8C-9HES	5990			

\*Bitte Elektrodenabstand nach Angaben des Herstellers justieren

\*Please adjust the ground electrode gap

\*Veuillez vérifier l'écartement

\* Por favor, ajustar la distancia entre los electrodos

\*Regolare il gap

\*\* Iridium IX Spark Plug is the standard recommendation



Stock No.

Quick No.

Upgrade ↑

Stock No. ↑

**HONDA**

<b>CBF 1000 FA</b>	SC64	1000	4	2010-		0.9	IMR8C-9HES	5990			
<b>CBF 1000 Limited Edition</b>	SC58	1000	4	2009-2009		0.9	CR8EH-9	5666	Q228	CR8EHIX-9	3797
<b>CBR 1000 RR</b>	SC57A	1000	4	2007-		0.9	IMR9C-9H	6777			
<b>CBR 1000 RR</b>	SC59A	1000	4	2011-	Constr.Code AB>2F / AB>3F	0.9	IMR9E-9HES	7556			
<b>CBR 1000 RR Fire-blade</b>	SC57A/SC57B	1000	4	2004-2007		0.9	IMR9C-9HES	5766			
<b>CBR 1000 RR Fire-blade</b>	SC59A	1000	4	2008-		0.9	IMR9E-9HES	7556			
<b>CBR 1000 RR Fire-blade</b>	SC59A	1000	4	2009-2016	178hp	0.9	IMR9E-9HES	7556			
<b>CBR 1000 RR Repsol</b>	SC57A/SC57B	1000	4	2004-		0.9	IMR9C-9HES	5766			
<b>CRF 1000 A Africa Twin</b>		1000	2	2017-	95hp	0.9	SILMAR8A9S	90992			
<b>CRF 1000 AG Africa Twin ABS</b>		1000	2	2016-2016	95hp	0.9	SILMAR8A9S	90992			
<b>CRF 1000 AH Africa Twin</b>		1000	2	2017-2017	95hp	0.9	SILMAR8A9S	90992			
<b>CRF 1000 D Africa Twin</b>		1000	2	2017-	95hp	0.9	SILMAR8A9S	90992			
<b>CRF 1000 D Africa Twin ABS</b>		1000	2	2017-	95hp	0.9	SILMAR8A9S	90992			
<b>CRF 1000 DG Africa Twin DCT</b>		1000	2	2016-2016	95hp	0.9	SILMAR8A9S	90992			
<b>CRF 1000 DH Africa Twin DCT</b>		1000	2	2017-2017	95hp	0.9	SILMAR8A9S	90992			
<b>CRF 1000 G Africa Twin</b>		1000	2	2016-2016	95hp	0.9	SILMAR8A9S	90992			
<b>CRF 1000 L Africa Twin</b>		1000	2	2016-	95hp	0.9	SILMAR8A9S	90992			
<b>CRF 1000 L Africa Twin ABS</b>		1000	2	2016-2016	95hp	0.9	SILMAR8A9S	90992			
<b>CRF 1000 L Africa Twin DCT</b>		1000	2	2016-	95hp	0.9	SILMAR8A9S	90992			
<b>VTR 1000 F Fire Storm</b>	SC36	1000	2	1997-2006	Constr.Code V/W/X/Y/1	0.9	DPR9EIX-9**	5545			
<b>VTR 1000 SP-1</b>	SC45	1000	2	2000-2001	Constr.Code Y/1	1.1	FR9B11	4709			
<b>VTR 1000 SP-2</b>	SC45	1000	2	2002-2006	Constr.Code E/D	1.1	IFR9H11	6588			
<b>XL 1000 VA Varadero</b>	SD02	1000	2	2004-		0.9	JR8B9	4873			
<b>XL 1000 VA Varadero</b>	SD02C	1000	2	2008-		0.9	JR8B9	4873			
<b>XL 1000 V Varadero</b>	SD01A	1000	2	1999-	Constr.Code X/Y/1/2	0.9	DPR8EIX-9**	2202			
<b>XL 1000 V Varadero</b>	SD01	1000	2	1999-2002		0.9	DPR8EIX-9**	2202			
<b>XL 1000 V Varadero</b>	SD02A	1000	2	2003-	Constr.Code 3/4/5/6/7	0.9	JR8B9	4873			
<b>XL 1000 V Varadero</b>	SD02	1000	2	2003-2007		0.9	JR8B9	4873			
<b>CB 1100</b>		1100	4	1999-		0.9	CR8EHIX-9**	3797			
<b>CB 1100</b>		1100	4	2010-		0.9	LMAR8A-9S	6817			
<b>CB 1100</b>	SC65	1100	4	2013-	90hp	0.9	LMAR8A-9S	6817			
<b>CB 1100 R</b>		1100	4	2010-		0.9	LMAR8A-9S	6817			
<b>CB 1100 SF X-11</b>	SC42A	1100	4	1999-	Constr.Code Y/1	0.9	CR8EHIX-9**	3797			
<b>CB 1100 SF X-11 Eleven</b>	SC42A	1100	4	2000-2003		0.9	CR8EHIX-9**	3797			
<b>CBR 1100 XX Super Blackbird</b>	SC35	1100	4	1997-2000	Constr.Code V>Y	0.9	CR9EHIX-9**	6216			
<b>CBR 1100 XX Super Blackbird</b>	SC35	1100	4	2001-2008	Constr.Code 1	0.9	IMR9C-9H	6777			
<b>CBR 1100 XX Super Blackbird</b>	K1 / VIN >3405929	1100	4	2001-2001		0.9	IMR9A-9H	6966			
<b>CBR 1100 XX Super Blackbird</b>	K2 / VIN 3405930>	1100	4	2002-2002		0.9	IMR9C-9H	6777			
<b>ST 1100 A Pan European</b>	SC26	1100	4	1992-2001	Constr.Code L>Y	0.9	CR8EH-9	5666	Q228	CR8EHIX-9	3797
<b>VT 1100 C2 Shadow Ace</b>	SC32	1100	2	1995-2000	Constr.Code T>Y	0.9	DPR7EA-9	5129	Q220	DPR7EIX-9	7803

\* Bitte Elektrodenabstand nach Angaben des Herstellers justieren

\* Please adjust the ground electrode gap

\* Veuillez vérifier l'écartement

\* Por favor, ajustar la distancia entre los electrodos

\* Regolare il gap

\* Iridium IX Spark Plug is the standard recommendation





Stock No.

Quick No.

Upgrade ↑

Stock No. ↑

**HONDA**

<b>VT 1100 C3 Shadow Aero</b>	SC39	1100	2	1998-2000	Constr.Code W>X	0.9	DPR7EA-9	5129	Q220	DPR7EIX-9	7803
<b>VT 1100 C Shadow</b>	SC23	1100	2	1994-1995	Constr.Code R/S	0.9	DPR7EA-9	5129	Q220	DPR7EIX-9	7803
<b>CB 1100</b>	SC65B	1140	4	2013-2016	90hp	0.9	LMAR8A-9S	6817			
<b>CB 1100 EX</b>		1140	4	2014-		0.9	LMAR8A-9S	6817			
<b>VFR 1200</b>	SC70A	1200	4	2012-		0.9	IMR8E-9HES	95397			
<b>VFR 1200 F ABS</b>	SC63	1200	4	2010-		0.9	IMR9E-9HES	7556			
<b>VFR 1200 F DCT</b>	SC63	1200	4	2010-		0.9	IMR9E-9HES	7556			
<b>VFR 1200 V4</b>	SC63	1200	4	2010-		0.9	IMR9E-9HES	7556			
<b>VFR 1200 V4 Tourer</b>	SC63	1200	4	2010-		0.9	IMR9E-9HES	7556			
<b>VFR 1200 X Cross-tourer</b>	SC70A	1200	4	2012-	129hp	0.9	IMR8E-9HES	95397			
<b>CB 1300</b>	SC54	1300	4	2005-2005	Constr.Code 5	0.9	DPR8EA-9	4929	Q221	DPR8EIX-9	2202
<b>CB 1300 A</b>	SC54	1300	4	2005-2009	Constr.Code 5>9	0.9	DPR8EA-9	4929	Q221	DPR8EIX-9	2202
<b>CB 1300 DCV X4</b>	SC38	1300	4	1997-2003		0.9	DPR9EA-9	5329	Q222	DPR9EIX-9	5545
<b>CB 1300 F</b>	SC54	1300	4	2003-2004	Constr.Code 3>4	0.9	DPR8EA-9	4929	Q221	DPR8EIX-9	2202
<b>CB 1300 F Super Four</b>	SC54A	1300	4	2003-	Constr.Code 3	0.9	DPR9EA-9	5329	Q222	DPR9EIX-9	5545
<b>CB 1300 SA</b>	SC54	1300	4	2005-	Constr.Code 5	0.9	DPR8EA-9	4929	Q221	DPR8EIX-9	2202
<b>CB 1300 SA Super Four ABS</b>	SC54	1300	4	2005-	Constr.Code 5	0.9	DPR8EA-9	4929	Q221	DPR8EIX-9	2202
<b>CB 1300 Super Touring</b>		1300	4	2010-	Constr.Code A	0.9	DPR9EA-9	5329	Q222	DPR9EIX-9	5545
<b>CTX 1300</b>		1300	4	2014-		0.9	CR8EH-9	5666	Q228	CR8EHIX-9	3797
<b>ST 1300 A Pan European ABS</b>	SC51	1300	4	2002-	Constr.Code 2>	0.9	CR7EH-9	3486			
<b>ST 1300 Pan European</b>	SC51	1300	4	2002-2004	Constr.Code 2>4	0.9	CR8EH-9	5666	Q228	CR8EHIX-9	3797
<b>VT 1300 CX</b>	SC61A	1300	2	2010-	Constr.Code A	0.8	DCPR6E	3481		DCPR6EIX	8196
<b>VT 1300 CXA ABS</b>	SC61B	1300	2	2010-	Constr.Code A	0.9	DCPR6E	3481		DCPR6EIX	8196
<b>VTX 1300 S</b>	SC52	1300	2	2003-2007		0.8	DCPR6E	3481		DCPR6EIX	8196
<b>GL 1500 F6C Valkyrie</b>	SC34	1500	6	1996-2003	Constr.Code V>1	0.9	DPR7EA-9	5129	Q220	DPR7EIX-9	7803
<b>GL 1800 A Goldwing</b>	SC47	1800	6	2001-2005	Constr.Code 1>5	1.1	BKR6E-11	2756		BKR6EIX-11	3764
<b>GL 1800 Goldwing</b>	SC47	1800	6	2006-		1.1	BKR6E-11	2756		BKR6EIX-11	3764
<b>GL 1800 Goldwing</b>	SC47	1800	6	2006-	Constr.Code 6>7	1.1	BKR6E-11	2756		BKR6EIX-11	3764
<b>GL 1800 Goldwing</b>	SC68	1800	6	2012-		1.1	BKR7E-11	1283		BKR7EIX-11	6988
<b>GL 1800 Goldwing</b>	SC79	1800	6	2018-	126hp	0.9	CR6HSB-9	97276			
<b>VTX 1800 C</b>		1800	2	2001-2008		1.1	IFR6L11	3678			
<b>VTX 1800 C</b>	SC46	1800	2	2002-2004		1.1	IFR6L11	3678			
<b>VTX 1800 C1</b>	SC46	1800	2	2005-2006		1.1	IFR6L11	3678			

**HOREX**

<b>VR6 Roadster</b>		1218	6	2012-		0.9	CR9EIA-9	6289			
---------------------	--	------	---	-------	--	-----	----------	------	--	--	--

**HRD**

<b>GS Enduro</b>		50	1	1998-1999		0.6	BR8ES	5422	Q207	BR8EIX	5044
<b>Slide Sonic Supermotorrad</b>		50	1	1998-		0.6	BR8ES	5422	Q207	BR8EIX	5044
<b>Sonic 2 SM</b>		50	1	1999-		0.6	BR8ES	5422	Q207	BR8EIX	5044
<b>Sonic 2 Trail</b>		50	1	1999-		0.6	BR8ES	5422	Q207	BR8EIX	5044
<b>Super</b>		125	1	1999-		0.7	CR9EB	6955			
<b>Trail</b>		125	1	1999-		0.7	CR9EB	6955			

**HUONIAO**

<b>HN50-QT8</b>		50		2007-		0.7	C7HSA	4629		CR7HIX	7544
<b>HN125-8</b>		125		2006-		0.7	D8EA	2120	Q216	DR8EIX	6681

**HUSABERG**

<b>TE 125</b>		125	1	-		0.7	BR7EIX**	6664			
---------------	--	-----	---	---	--	-----	----------	------	--	--	--

\*Bitte Elektrodenabstand nach Angaben des Herstellers justieren

\*Please adjust the ground electrode gap

\*Veuillez vérifier l'écartement

\* Por favor, ajustar la distancia entre los electrodos

\*Regolare il gap

\*\* Iridium IX Spark Plug is the standard recommendation





Stock No.

Quick No.

Upgrade ↑

Stock No. ↑

**HUSABERG**

FE 250		250	1	2013-	10mm Thread Size / 19mm Thread Reach	0.8	CR9EKB	2305			
FE 250		250	1	2014-	10mm Thread Size / 26,5mm Thread Reach	1.0	LMAR9AI-10	93188			
TE 250		250	1	2011-		0.7	BR7ES	5122		BR7EIX	6664
TE 300		300	1	2011-		0.7	BR7ES	5122		BR7EIX	6664
FE 350		350	1	2013-		0.8	LMAR9AI-8	97225			
MC 350		350	1	-1999		0.7	C8E	7471		CR8EIX	4218
FE 390		390	1	2010-		0.9	LKAR8AI-9	6706			
FC 400		400	1	1997-1999		0.7	C8E	7471		CR8EIX	4218
FC 400		400	1	2003-		0.8	DCPR8EIX**	6546			
FE 400		400	1	1997-1999		0.7	C8E	7471		CR8EIX	4218
FE 400 E		400	1	2000-2002		0.6	DCPR8E	4179		DCPR8EIX	6546
FS 400 C		400	1	2000-2002		0.6	DCPR8E	4179		DCPR8EIX	6546
FS 400 E		400	1	2000-2002		0.6	DCPR8E	4179		DCPR8EIX	6546
FX 400		400	1	1999-		0.7	DCPR8E	4339		DCPR8EIX	6546
FX 400 E		400	1	-1999		0.7	C8E	7471		CR8EIX	4218
SM 400		400	1	1999-		0.7	DCPR8E	4339		DCPR8EIX	6546
FE 450		450	1	2003-2008		0.8	DCPR8EIX**	6546			
FE 450 E		450	1	2000-2008		0.6	DCPR8E	4179		DCPR8EIX	6546
FE 450 FE		450	1	2009-	52hp	0.9	LKAR8AI-9	6706			
FC 470/6		470	1	2000-2002		0.6	DCPR8E	4179		DCPR8EIX	6546
FX 470 E		470	1	2000-2002		0.6	DCPR8E	4179		DCPR8EIX	6546
FC 499 MX		499	1	1995-1999		0.7	C8E	7471		CR8EIX	4218
FE 501 E		500	1	2000-		0.6	DCPR8E	4179		DCPR8EIX	6546
MC 501		500	1	-1999		0.7	C8E	7471		CR8EIX	4218
FC 501		501	1	1995-1999		0.7	C8E	7471		CR8EIX	4218
FE 501		501	1	1993-1999		0.7	C8E	7471		CR8EIX	4218
FE 501		501	1	2003-2007		0.8	DCPR8EIX**	6546			
FE 501		501	1	2008-		0.9	DCPR8E	4339		DCPR8EIX	6546
FE 501		501	1	2013-		0.9	LKAR8AI-9	6706			
FE 501 E		501	1	1993-1999		0.7	C8E	7471		CR8EIX	4218
FX 501		501	1	1999-		0.7	DCPR8E	4339		DCPR8EIX	6546
FX 501 E		501	1	1997-1999		0.7	C8E	7471		CR8EIX	4218
SM 501		501	1	1999-		0.7	DCPR8E	4339		DCPR8EIX	6546
FC 550		550	1	2003-		0.8	DCPR8EIX**	6546			
FC 550/4		550	1	2000-		0.6	DCPR8E	4179		DCPR8EIX	6546
FC 550/6		550	1	2000-		0.6	DCPR8E	4179		DCPR8EIX	6546
FE 550 E		550	1	2000-		0.6	DCPR8E	4179		DCPR8EIX	6546
FS 550 E		550	1	2000-		0.6	DCPR8E	4179		DCPR8EIX	6546
FE 570		560	1	2009-		0.9	LKAR8AI-9	6706			
FE 450		565	1	2009-	57hp	0.9	LKAR8AI-9	6706			
FS 570		565	1	2010-		0.9	LKAR8AI-9	6706			
FC 600		600	1	1992-1999		0.7	C8E	7471		CR8EIX	4218
FE 600		600	1	1992-1999		0.7	C8E	7471		CR8EIX	4218
FE 600 E		600	1	1998-1999		0.7	C8E	7471		CR8EIX	4218
FX 600		600	1	1997-1999		0.7	C8E	7471		CR8EIX	4218
FX 600 E		600	1	1997-1999		0.7	C8E	7471		CR8EIX	4218
MC 600		600	1	-1999		0.7	C8E	7471		CR8EIX	4218
Enduro Rallye		650	1	1999-		0.7	DCPR8E	4339		DCPR8EIX	6546
FE 650		650	1	2003-2007		0.7	DCPR8EIX**	6546			
FE 650 E		650	1	2000-		0.6	DCPR8E	4179		DCPR8EIX	6546
FE 650 E		650	1	2003-		0.7	DCPR8EIX**	6546			

\*Bitte Elektrodenabstand nach Angaben des Herstellers justieren

\*Please adjust the ground electrode gap

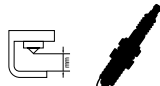
\*Veuillez vérifier l'écartement

\* Por favor, ajustar la distancia entre los electrodos

\*Regolare il gap

\* Iridium IX Spark Plug is the standard recommendation





Stock No.

Quick No.

Upgrade ↑

Stock No. ↑

**HUSABERG**

<b>FE 650 E</b>		650	1	2008-		0.9	DCPR8E	4339		DCPR8EIX	6546
<b>FS 650 C</b>		650	1	2000-		0.6	DCPR8E	4179		DCPR8EIX	6546
<b>FS 650 E</b>		650	1	2000-		0.6	DCPR8E	4179		DCPR8EIX	6546
<b>FX 650 E</b>		650	1	2000-		0.6	DCPR8E	4179		DCPR8EIX	6546
<b>SM 650</b>		650	1	1999-		0.7	DCPR8E	4339		DCPR8EIX	6546

**HUSQVARNA**

<b>CR 50</b>		50	1	2011-		0.7	BR8ECM	3035		BR8ECMIX	3520
<b>CR 50 Minimoto</b>		50	1	2010-		0.6	BR9ES	5722		BR9EIX	3981
<b>Husky Boy Basic</b>		50	1	2001-		0.5	B8HS	5510		BR8HIX	7001
<b>Husky Boy Junior</b>		50	1	1999-2001	14mm Thread Size / 12,7mm Thread Reach	0.5	B6HS	4510		BR6HIX	3419
<b>Husky Boy Junior</b>		50	1	2001-2003		0.5	B6HS	4510		BR6HIX	3419
<b>Husky Boy Junior</b>		50	1	2003-	14mm Thread Size / 19mm Thread Reach	0.6	BR10EIX**	6801			
<b>Husky Boy Racing</b>		50	1	2001-		0.5	B6HS	4510		BR6HIX	3419
<b>Husky Boy Senior</b>		50	1	2001-		0.5	B6HS	4510		BR6HIX	3419
<b>SM 50</b>		50	1	2002-		0.6	BR9ES	5722		BR9EIX	3981
<b>SM 50</b>		50	1	2011-		0.7	BR8ECM	3035		BR8ECMIX	3520
<b>SM 50 Minimoto</b>		50	1	2010-		0.6	BR9ES	5722		BR9EIX	3981
<b>TC 50</b>		50	1	2017-		0.7	LR8B	6208			
<b>TC 50 MINI</b>		50	1	2018-		0.7	LR8B	6208			
<b>WRE 50</b>		50	1	2002-		0.6	BR9ES	5722		BR9EIX	3981
<b>WRS 50</b>		50	1	1999-		0.5	B9ES	2611	Q202	BR9EIX	3981
<b>WSM 50 Super Motard</b>		50	1	2002-		0.7	BR9ES	5722		BR9EIX	3981
<b>WXE 50 Enduro</b>		50	1	2003-		0.7	BR9ES	5722		BR9EIX	3981
<b>CR 65 Minicross</b>		65	1	2011-		0.6	BR8ECM	3035		BR8ECMIX	3520
<b>CR 65 Minimoto</b>		65	1	2011-		0.6	BR8ECM	3035		BR8ECMIX	3520
<b>TC 65</b>		65	1	2017-		0.7	LR8B	6208			
<b>TC 85</b>		85	1	2014-		0.6	BR9ECMIX**	2707			
<b>CR 125</b>		125	1	1992-1994		0.5	BR10EIX**	6801			
<b>CR 125</b>		125	1	1997-		0.5	BR10EIX**	6801			
<b>CR 125</b>		125	1	1999-2000		0.5	BR9EG	3230			
<b>CR 125</b>		125	1	2001-2012		0.5	BR9EG	3230			
<b>CR 125</b>		125	1	2013-		0.5	BR9EG	3230			
<b>SM 125</b>		125	1	1999-		0.5	BR9EG	3230			
<b>SM 125</b>		125	1	2002-		0.5	BR9EG	3230			
<b>SM 125 S</b>		125	1	2002-		0.5	BR9EG	3230			
<b>SM S 125</b>		125	1	2000-		0.5	BR9EG	3230			
<b>SM S 125</b>		125	1	2011-		0.6	CR8E	4854	Q226	CR8EIX	4218
<b>SMS 4</b>		125	1	2011-		0.6	CR8E	4854	Q226	CR8EIX	4218
<b>TC 125</b>		125	1	-		0.5	BR9EG	3230			
<b>TE 125</b>		125	1	2011-2013	10mm Thread Size / 19mm Thread Reach	0.7	CR8E	4854	Q226	CR8EIX	4218
<b>TE 125</b>		125	1	2014-2016	14mm Thread Size / 19mm Thread Reach	0.6	BR9ECMIX**	2707			
<b>TE 125 4T</b>		125	1	2011-		0.6	CR8E	4854	Q226	CR8EIX	4218
<b>TX 125</b>		125	1	2017-		0.6	BR9ECMIX**	2707			
<b>WR 125</b>		125	1	1993-1994		0.5	BR9EIX**	3981			
<b>WR 125</b>		125	1	1995-2000		0.5	BR10EIX**	6801			
<b>WR 125</b>		125	1	2001-		0.5	BR9EG	3230			
<b>WR 125</b>		125	1	2013-		0.5	BR9EG	3230			
<b>WR 125 2T</b>		125	1	2005-		0.5	BR9EG	3230			
<b>WRE 125</b>		125	1	1998-2001		0.7	B9EG	3530			

\*Bitte Elektrodenabstand nach Angaben des Herstellers justieren

\*Please adjust the ground electrode gap

\*Veuillez vérifier l'écartement

\* Por favor, ajustar la distancia entre los electrodos

\*Regolare il gap

\*\* Iridium IX Spark Plug is the standard recommendation





Stock No.

Quick No.

Upgrade ↑

Stock No. ↑

**HUSQVARNA**

<b>WRE 125</b>		125	1	2002-		0.5	BR9EG	3230			
<b>WRE 125 Compétition</b>		125	1	1998-		0.5	R7435-10	4897			
<b>WSM 125</b>		125	1	2004-		0.7	CR7HSA	4549		CR7HIX	7544
<b>WXE 125</b>		125	1	2004-		0.7	CR7HSA	4549		CR7HIX	7544
<b>TE 150</b>		150	1	2017-	only US	0.6	BR9ECMIX**	2707			
<b>WR 240</b>		240	1	-		0.5	B8EG	3430			
<b>CR 250</b>		250	1	1993-1994		0.6	BR10EIX**	6801			
<b>CR 250</b>		250	1	1995-2000		0.5	BR9EIX**	3981			
<b>CR 250</b>		250	1	2001-		0.8	BR8EG	3130			
<b>FC 250</b>		250	1	2014-		0.8	LMAR9AI-8	97225			
<b>FE 250</b>		250	1	2014-		1.0	LMAR9AI-10	93188			
<b>TC 250</b>		250	1	2001-2008		0.6	CR8EB	7784			
<b>TC 250</b>		250	1	2009-		0.7	CR9EB	6955			
<b>TC 250</b>		250	1	2014-		0.6	BR8ECM	3035		BR8ECMIX	3520
<b>TC 250 4T</b>		250	1	2005-		0.7	CR8EB	7784			
<b>TE 250</b>		250	1	2001-2007		0.6	CR8EB	7784			
<b>TE 250</b>		250	1	2009-		0.7	CR9EB	6955			
<b>TE 250</b>		250	1	2013-2013	10mm Thread Size / 19mm Thread Reach	0.9	CR9EIA-9	6289			
<b>TE 250</b>		250	1	2014-2017	14mm Thread Size / 19mm Thread Reach	0.7	BR7ES	5122		BR7EIX	6664
<b>TE 250i</b>		250	1	2018-		1.3	ZGR7GI-13G	96760			
<b>TE 250 i.e.</b>		250	1	2008-		0.7	CR9EB	6955			
<b>TE 250 Meo Replica</b>		250	1	2011-		0.7	CR9EB	6955			
<b>TE 250 R</b>		250	1	2001-2007		0.6	CR8EB	7784			
<b>TXC 250</b>		250	1	2010-		0.7	CR9EB	6955			
<b>WR 250</b>		250	1	1996-1999		0.6	BR9EIX**	3981			
<b>WR 250</b>		250	1	1999-2012		0.5	B8EG	3430			
<b>WR 250</b>		250	1	2001-		0.6	BR8EG	3130			
<b>WR 250</b>		250	1	2013-		0.8	BR8EG	3130			
<b>WR 250 2T</b>		250	1	2012-		0.6	BR8EG	3130			
<b>TE 300</b>		300	1	2014-2017		0.7	BR7ES	5122		BR7EIX	6664
<b>TE 300i</b>		300	1	2018-		1.3	ZGR7GI-13G	96760			
<b>TX 300</b>		300	1	2017-		0.6	BR7ES	5122		BR7EIX	6664
<b>WR 300</b>		300	1	2009-		0.6	BR8EG	3130			
<b>TE 310</b>		310	1	2009-2010		0.7	CR8EB	7784			
<b>TE 310</b>		310	1	2011-		0.7	CR9EB	6955			
<b>TE 310</b>		310	1	2011-2012	10mm Thread Size / 19mm Thread Reach	0.7	CR9EB	6955			
<b>TE 310</b>		310	1	2013-2013	10mm Thread Size / 19mm Thread Reach	0.9	CR9EIA-9	6289			
<b>FC 350</b>		350	1	2014-		0.8	LMAR9AI-8	97225			
<b>FE 350</b>		350	1	2014-2016		0.8	LMAR9AI-8	97225			
<b>FE 350</b>		350	1	2017-		1.0	LMAR9AI-10	93188			
<b>FX 350</b>		350	1	2017-		0.8	LMAR9AI-8	97225			
<b>TE 350</b>		350	1	1995-		0.7	C7E	5096		CR7EIX	7385
<b>WR 350</b>		350	1	1992-2002		0.5	BR9EIX**	3981			
<b>360 WXC</b>		360	1	1998-		0.5	B8EG	3430			
<b>WR 360</b>		360	1	1998-2000		0.5	B8EG	3430			
<b>WR 360</b>		360	1	2001-		0.5	B8EG	3430			
<b>MX 390</b>		390	1	-		0.5	B9ES	2611	Q202	BR9EIX	3981
<b>MX 400</b>		400	1	-		0.5	B9ES	2611	Q202	BR9EIX	3981
<b>R 400 R</b>		400	1	2001-		0.6	CR8EB	7784			
<b>SM 400 R</b>		400	1	2001-		0.6	CR8EB	7784			
<b>TE 400</b>		400	1	2001-		0.6	C7E	5096		CR7EIX	7385

\*Bitte Elektrodenabstand nach Angaben des Herstellers justieren

\*Please adjust the ground electrode gap

\*Veuillez vérifier l'écartement

\* Por favor, ajustar la distancia entre los electrodos

\*Regolare il gap

\* Iridium IX Spark Plug is the standard recommendation





Stock No.

Quick No.

Upgrade ↑

Stock No. ↑

**HUSQVARNA**

<b>TE 400 R</b>		400	1	2001-		0.6	CR8EB	7784			
<b>TE 410</b>		410	1	1995-1996		0.7	C7E	5096		CR7EIX	7385
<b>TE 410</b>	2AA	410	1	1996-2000		0.6	C7E	5096		CR7EIX	7385
<b>TE 410 E</b>		410	1	1999-2000		0.6	CR7E	4578	Q225	CR7EIX	7385
<b>FC 450</b>		450	1	2014-2015		0.9	LKAR8AI-9	6706			
<b>FC 450</b>		450	1	2016-		0.8	LMAR9AI-8	97225			
<b>FE 450</b>		450	1	2014-2016		0.9	LKAR8AI-9	6706			
<b>FE 450</b>		450	1	2017-		1.0	LMAR9AI-10	93188			
<b>FR 450 Rally</b>		450	1	2017-		0.9	LKAR8AI-9	6706			
<b>FS 450</b>		450	1	2015-2015		0.9	LKAR8AI-9	6706			
<b>FS 450</b>		450	1	2016-		0.8	LMAR9AI-8	97225			
<b>FX 450</b>		450	1	2017-		0.8	LMAR9AI-8	97225			
<b>SM 450 R</b>		450	1	2003-		0.6	CR8EB	7784			
<b>SM 450 RR i.e</b>		450	1	2008-		0.8	CR9EKB	2305			
<b>SMR 449</b>		450	1	2011-		0.7	CR9EKB	2305			
<b>SMR 450</b>		450	1	2003-		0.6	CR7EB	4663			
<b>SMR 450</b>		450	1	2004-		0.6	CR8EB	7784			
<b>TC 449</b>		450	1	2011-		0.7	CR9EKB	2305			
<b>TC 450</b>		450	1	2001-		0.6	CR8EB	7784			
<b>TC 450</b>		450	1	2004-		0.7	CR8EB	7784			
<b>TE 449</b>		450	1	2011-		0.7	CR9EKB	2305			
<b>TE 450</b>		450	1	2003-		0.6	CR8EB	7784			
<b>TE 450</b>		450	1	2013-		0.7	CR9EKB	2305			
<b>TE 510</b>		450	1	2003-		0.6	CR8EB	7784			
<b>SMR 480</b>		480	1	2011-		0.8	CR9EKB	2305			
<b>SMR 511</b>		480	1	2011-		0.7	CR9EKB	2305			
<b>TE 480</b>		480	1	2011-		0.8	CR9EKB	2305			
<b>TE 511</b>		480	1	2011-		0.7	CR9EKB	2305			
<b>WR 500</b>		500	1	-		0.5	B8EG	3430			
<b>AC 510</b>		510	1	-		0.9	DP8EA-9	5829		DPR8EIX-9	2202
<b>FE 501</b>		510	1	2014-2016		0.9	LKAR8AI-9	6706			
<b>FE 501</b>		510	1	2017-		1.0	LMAR9AI-10	93188			
<b>SM 510 R</b>		510	1	-		0.6	CR8EB	7784			
<b>TC 510</b>		510	1	-		0.6	CR8EB	7784			
<b>TE 510</b>		510	1	-		0.9	DP8EA-9	5829		DPR8EIX-9	2202
<b>TE 510</b>		510	1	2005-		0.7	CR8EB	7784			
<b>TE 510 Centennial</b>		510	1	-		0.6	CR8EB	7784			
<b>SM 530 RR</b>		530	1	2008-		0.6	CR8EB	7784			
<b>SM 530 RR</b>		530	1	2009-		0.8	CR9EKB	2305			
<b>SM 570 R</b>		570	1	2001-		0.7	C7E	5096		CR7EIX	7385
<b>SM 570 R</b>		570	1	2002-2004		0.6	C7E	5096		CR7EIX	7385
<b>SM 570 R</b>		570	1	2004-	Competition Plug	0.5	C8E	7471		CR8EIX	4218
<b>SMR 570</b>		570	1	2003-		0.6	CR7EB	4663			
<b>SMR 570 NOX</b>		570	1	2002-		1.1	R0045Q-10	4216			
<b>SMR 570 NOX Super Motard</b>		570	1	2001-		0.7	C7E	5096		CR7EIX	7385
<b>TC 570</b>		576	1	2001-		0.7	CR7EB	4663			
<b>TE 570</b>		576	1	2001-		0.7	CR7EB	4663			
<b>SMS 600 ie</b>		600	1	2011-		0.7	CR8EB	7784			
<b>TE 600 ie</b>		600	1	2011-		0.7	CR8EB	7784			
<b>LT 610</b>		610	1	2000-		0.6	C7E	5096		CR7EIX	7385
<b>SM 610</b>		610	1	2006-		0.7	CPR8E	7411			
<b>SM 610 E</b>		610	1	1998-		0.7	C7E	5096		CR7EIX	7385

\*Bitte Elektrodenabstand nach Angaben des Herstellers justieren

\*Please adjust the ground electrode gap

\*Veuillez vérifier l'écartement

\* Por favor, ajustar la distancia entre los electrodos

\*Regolare il gap

\*\* Iridium IX Spark Plug is the standard recommendation





Stock No.

Quick No.

Upgrade ↑

Stock No. ↑

**HUSQVARNA**

<b>SM 610 ie</b>		610	1	2009-		0.7	CPR8E	7411			
<b>SM 610 R</b>		610	1	2000-		0.7	C7E	5096		CR7EIX	7385
<b>SM 610 S</b>		610	1	1998-		0.7	C7E	5096		CR7EIX	7385
<b>SM 610 S</b>		610	1	2003-		0.7	C7E	5096		CR7EIX	7385
<b>SM 610 S Competition</b>		610	1	2003-	Competition Plug	0.5	C8E	7471		CR8EIX	4218
<b>SM 610 S Standard</b>		610	1	1998-2005	Standard Plug	0.6	CR7E	4578	Q225	CR7EIX	7385
<b>TC 610 E</b>		610	1	1998-		0.7	C7E	5096		CR7EIX	7385
<b>TE 610</b>		610	1	-		0.7	CPR8E	7411			
<b>TE 610 E</b>		610	1	1998-		0.7	C7E	5096		CR7EIX	7385
<b>TE 610 E</b>		610	1	1998-2005		0.6	CR7E	4578	Q225	CR7EIX	7385
<b>TE 610 ie</b>		610	1	2009-		0.7	CPR8E	7411			
<b>SM 630</b>		630	1	2009-		0.6	CR8EB	7784			
<b>SMR 630</b>		630	1	2004-		1.1	R0045Q-10	4216			
<b>SMR 630</b>		630	1	2010-		0.6	CR8EB	7784			
<b>TE 630</b>		630	1	2010-		0.6	CR8EB	7784			
<b>TR 650 Strada</b>		650	1	2012-	Twin Spark	0.8	MAR9A-J	6869			
<b>TR 650 Strada</b>		650	1	2013-	58hp	0.6	MAR9A-6J	91321			
<b>TR 650 Terra</b>		650	1	2012-	Twin Spark	0.8	MAR9A-J	6869			
<b>TR 650 Terra</b>		650	1	2013-	58hp	0.9	MAR9A-6J	91321			
<b>701 Enduro</b>		701	1	2016-2016	Twin Spark 67hp	0.9	LKAR8BI9 LMAR7A-9	1553 4908			
<b>701 Enduro</b>		701	1	2017-	Twin Spark 74hp	1.0	LKAR9BI-10 LMAR7Df-10	95371 96956			
<b>701 Supermoto</b>		701	1	2016-2016	Twin Spark 67hp	0.9	LKAR8BI9 LMAR7A-9	1553 4908			
<b>701 Supermoto</b>		701	1	2017-	Twin Spark 74hp	1.0	LKAR9BI-10 LMAR7Df-10	95371 96956			
<b>Vitpilen 701</b>		701	1	2018-	Twin Spark 75hp	1.0	LKAR9BI-10 LMAR7Df-10	95371 96956			
<b>Nuda 900</b>		898	2	2012-		0.9	LMAR8C-9	93833			
<b>Nuda 900 R</b>		898	2	2012-		0.9	LMAR8C-9	93833			

**HYMOTO**

<b>HY 50</b>		50		-		0.7	C7HSA	4629		CR7HIX	7544
<b>MP DB701</b>		50		-		0.7	BPM7A	7321			
<b>HY 70</b>		70		-		0.7	C7HSA	4629		CR7HIX	7544
<b>HY 90</b>		90		-		0.7	C7HSA	4629		CR7HIX	7544
<b>HY 110</b>		110		-		0.7	C7HSA	4629		CR7HIX	7544
<b>HY 125</b>		125		-		0.7	C7HSA	4629		CR7HIX	7544
<b>HY 125 S</b>		125		-		0.7	C7HSA	4629		CR7HIX	7544

**HYOSUNG**

<b>SB 50 Cab</b>	SB50G	50	1	1995-		0.6	BP6HS	4511		BPR6HIX	4085
<b>SB 50 Gamma</b>	SB50G	50	1	1997-		0.6	BP6HS	4511		BPR6HIX	4085
<b>SB 50 Plus &amp; M</b>	SB50G	50	1	-		0.6	BP6HS	4511		BPR6HIX	4085
<b>SD 50 Avanti</b>	SD50	50	1	1999-		0.6	BP6HS	4511		BPR6HIX	4085
<b>SD 50 Sense</b>	SD50	50	1	-		0.6	BP6HS	4511		BPR6HIX	4085
<b>SF 50</b>	SF	50	1	1999-		0.6	BR8HSA	5539			
<b>SF 50 B Prima</b>	SF	50	1	-		0.6	BR8HSA	5539			
<b>SF 50 Racing</b>	SF	50	1	-		0.6	BR8HSA	5539			
<b>SF Rally 50</b>	SF	50	1	2004-		0.6	BR8HSA	5539			
<b>EZ 100 M</b>	EZ100	100	1	-		0.6	BP7HS	5111		BPR7HIX	5944
<b>EZ 100 Supercab</b>	EZ100	100	1	1997-		0.6	BP7HS	5111		BPR7HIX	5944
<b>FX 110</b>		110	1	-		0.7	C6HSA	3228		CR6HIX	7274
<b>FX 110 DLX Midas</b>		110	1	1999-		0.7	C6HSA	3228		CR6HIX	7274
<b>Boomer 125 Exceed MS1</b>	CF42A	125	1	2002-		0.6	DR8EA	7162		DR8EIX	6681

\*Bitte Elektrodenabstand nach Angaben des Herstellers justieren

\*Please adjust the ground electrode gap

\*Veuillez vérifier l'écartement

\* Por favor, ajustar la distancia entre los electrodos

\*Regolare il gap

\* Iridium IX Spark Plug is the standard recommendation







Stock No.

Quick No.

Upgrade ↑

Stock No. ↑

**HYOSUNG**

<b>GA 125 Cruise II Classic (CLS)</b>	KM4MF47A	125	1	1999-		0.9	CR8EH-9	5666	Q228	CR8EHIX-9	3797
<b>GA 125 Cruise III</b>		125	1	2000-		0.9	CR8EH-9	5666	Q228	CR8EHIX-9	3797
<b>GF 125 I</b>	NF47A	125	1	1998-		0.9	CR8EH-9	5666	Q228	CR8EHIX-9	3797
<b>GF 125 II</b>	NF47A	125	1	1998-		0.9	CR8EH-9	5666	Q228	CR8EHIX-9	3797
<b>GPS 125 Grand Prix</b>	CF41	125	1	-		0.6	DR8EA	7162		DR8EIX	6681
<b>GPS 125 Grand Prix Plus</b>	CF41	125	1	1999-2005		0.7	DR8EA	7162		DR8EIX	6681
<b>GPS 125 Grand Prix Plus 2</b>	CF41	125	1	2001-		0.6	DR8EA	7162		DR8EIX	6681
<b>GPS 125 Hyper</b>	GPS125	125	1	1998-		0.6	DR8EA	7162		DR8EIX	6681
<b>GS 125 Cruise I</b>	NF41A	125	1	1996-1996		0.6	D8EA	2120	Q216	DR8EIX	6681
<b>GS 125 Cruise I</b>	NF41A	125	1	1997-		0.6	DR8EA	7162		DR8EIX	6681
<b>GS 125 Cruise II</b>		125	1	1997-		0.9	CR8EH-9	5666	Q228	CR8EHIX-9	3797
<b>GT 125</b>	KM4MF51	125	1	2003-		0.6	CR8E	4854	Q226	CR8EIX	4218
<b>GT 125</b>	KM4MF51	125	1	2005-		0.9	CR8EH-9	5666	Q228	CR8EHIX-9	3797
<b>GT 125 Comet</b>		125	2	2001-		0.7	CR8E	4854	Q226	CR8EIX	4218
<b>GT 125 Naked</b>		125	1	2001-		0.6	CR8E	4854	Q226	CR8EIX	4218
<b>GT 125 R</b>	KM4MF51	125	1	2005-		0.9	CR8EH-9	5666	Q228	CR8EHIX-9	3797
<b>GT 125 R</b>		125	2	2006-		0.6	CR8E	4854	Q226	CR8EIX	4218
<b>GT 125 R TTC</b>	KM4MF52	125	1	2007-		0.6	CR8E	4854	Q226	CR8EIX	4218
<b>GV 125 Aquila</b>	KM4MF51	125	2	2000-		0.6	CR8E	4854	Q226	CR8EIX	4218
<b>GV 125 C</b>	KM4MF53	125	2	2008-		0.8	CR8E	4854	Q226	CR8EIX	4218
<b>GV 125 M Cruiser</b>	KM4MF52	125	2	2007-		0.6	CR8E	4854	Q226	CR8EIX	4218
<b>HD 125 Hyper</b>		125		2004-2006		0.8	DR8EA	7162		DR8EIX	6681
<b>MS3 125 i</b>	KM4CF41	125	1	2007-		0.8	CR8E	4854	Q226	CR8EIX	4218
<b>RT 125 D</b>	KM4SF42A	125	1	2007-	DOHC	0.8	CR8E	4854	Q226	CR8EIX	4218
<b>RT 125 D Karion</b>	KM4SF42A	125	1	2007-		0.9	CR8EH-9	5666	Q228	CR8EHIX-9	3797
<b>RT 125 Karion</b>	KM4SF41A	125	1	2002-2006		0.9	CR8EH-9	5666	Q228	CR8EHIX-9	3797
<b>RT 125 Karion</b>	KM4SF42A	125	1	2010-		0.9	CR8EH-9	7473		CR8EHIX-9	3797
<b>RX 125</b>		125	1	2000-2007	OHC	0.9	CR8EH-9	5666	Q228	CR8EHIX-9	3797
<b>RX 125 D</b>	KM4PF42	125	1	2007-		0.9	CR8EH-9	5666	Q228	CR8EHIX-9	3797
<b>RX 125 D E</b>		125	1	2007-	DOHC	0.8	CR8E	4854	Q226	CR8EIX	4218
<b>RX 125 D SM</b>		125	1	2007-	DOHC	0.8	CR8E	4854	Q226	CR8EIX	4218
<b>RX 125 SM</b>	KM4PF42	125	1	2010-		0.9	CR8EH-9	5666	Q228	CR8EHIX-9	3797
<b>XRX 125 Funduro</b>		125	1	2010-		0.7	CR8E	4854	Q226	CR8EIX	4218
<b>XRX 125 Supermoto</b>		125	1	2010-		0.7	CR8E	4854	Q226	CR8EIX	4218
<b>XRX 125 Trail</b>		125	1	1999-		0.9	CR8EH-9	5666	Q228	CR8EHIX-9	3797
<b>GT 250</b>	KM4MJ51B	250	2	2005-		0.7	CR8E	4854	Q226	CR8EIX	4218
<b>GT 250 Comet</b>		250	2	2008-		0.8	CR8E	4854	Q226	CR8EIX	4218
<b>GT 250 EFI</b>		250	2	2008-		0.8	CR8E	4854	Q226	CR8EIX	4218
<b>GT 250 R</b>		250	2	2006-2008		0.8	CR8E	4854	Q226	CR8EIX	4218
<b>GT 250 R EFI</b>		250	2	2008-		0.8	CR8E	4854	Q226	CR8EIX	4218
<b>GV 250 Aquila</b>		250	2	2000-		0.8	CR8E	4854	Q226	CR8EIX	4218
<b>GV 250 Aquila</b>		250	2	2008-		0.8	CR8E	4854	Q226	CR8EIX	4218
<b>GV 250 Aquila 8V</b>	GV50	250	2	2000-		0.6	CR8E	4854	Q226	CR8EIX	4218
<b>GV 250 EFI</b>		250	2	2008-		0.8	CR8E	4854	Q226	CR8EIX	4218
<b>MS3 250 i</b>	KM4CJ41A	250	1	2007-		0.8	CR8E	4854	Q226	CR8EIX	4218
<b>GT 650</b>	KM4MP51A	650	2	2005-		0.7	CR8E	4854	Q226	CR8EIX	4218
<b>GT 650 Comet</b>		650	2	2003-		0.8	CR8E	4854	Q226	CR8EIX	4218
<b>GT 650 Comet</b>	KM4MP51A	650	2	2007-		0.8	CR8E	4854	Q226	CR8EIX	4218
<b>GT 650 Comet</b>	KM4MP54	650	2	2008-		0.8	CR8E	4854	Q226	CR8EIX	4218
<b>GT 650 EFI</b>	KM4MP54	650	2	2008-		0.8	CR8E	4854	Q226	CR8EIX	4218
<b>GT 650 i Naked</b>	KM4MP54A	650	2	2007-		0.6	CR8E	4854	Q226	CR8EIX	4218

\*Bitte Elektrodenabstand nach Angaben des Herstellers justieren

\*Please adjust the ground electrode gap

\*Veuillez vérifier l'écartement

\* Por favor, ajustar la distancia entre los electrodos

\*Regolare il gap

\*\* Iridium IX Spark Plug is the standard recommendation





Stock No.

Quick No.

Upgrade ↑

Stock No. ↑

**HYOSUNG**

<b>GT 650 i R</b>	KM4MP54C	650	2	2007-		0.6	CR8E	4854	Q226	CR8EIX	4218
<b>GT 650 N</b>		650	2	2012-		0.8	CR8E	4854	Q226	CR8EIX	4218
<b>GT 650 Naked</b>	KM4MP51A	650	2	2004-		0.6	CR8E	4854	Q226	CR8EIX	4218
<b>GT 650 R</b>	KM4MP51C	650	2	2005-2006		0.7	CR8E	4854	Q226	CR8EIX	4218
<b>GT 650 R EFI</b>	KM4MP58C	650	2	2008-		0.8	CR8E	4854	Q226	CR8EIX	4218
<b>GT 650 S</b>	KM4MP51B	650	2	2005-2006		0.7	CR8E	4854	Q226	CR8EIX	4218
<b>GT 650 X</b>		650	2	2008-		0.7	CR8E	4854	Q226	CR8EIX	4218
<b>GV 650</b>	KM4VP51	650	2	2006-		0.7	CR8E	4854	Q226	CR8EIX	4218
<b>GV 650 Aquila</b>	KM4VP51	650	2	2006-2008		0.8	CR8E	4854	Q226	CR8EIX	4218
<b>GV 650 Aquila</b>	KM4VP55A	650	2	2008-		0.8	CR8E	4854	Q226	CR8EIX	4218
<b>GV 650 EFI</b>	KM4VP55A	650	2	2008-		0.8	CR8E	4854	Q226	CR8EIX	4218
<b>GV 650i Sportcruiser</b>	KM4VP51A	650	2	2007-		0.6	CR8E	4854	Q226	CR8EIX	4218
<b>GV 700 C EFI</b>		680	2	2010-		0.8	CR8E	4854	Q226	CR8EIX	4218
<b>ST 700 i</b>	KM4VR51A	700	2	2010-		0.6	CR8E	4854	Q226	CR8EIX	4218

**INDIAN**

<b>Scout Sixty</b>		1000	2	2016-2018	78hp	0.8	MR7F	95897			
<b>Scout</b>		1130	2	2016-2018	102hp	0.8	MR7F	95897			
<b>Scout Bobber</b>		1130	2	2018-2018		0.8	MR7F	95897			
<b>Chief</b>		1450	2	1999-2001		1.1	BPR5ES-11	4424		BPR5EIX-11	2115
<b>Scout</b>		1450	2	2001-		1.1	BPR5ES-11	4424		BPR5EIX-11	2115
<b>Spirit</b>		1450	2	2001-		1.1	BPR5ES-11	4424		BPR5EIX-11	2115
<b>Chief</b>		1650	2	2002-		1.1	BPR5ES-11	4424		BPR5EIX-11	2115
<b>Chief</b>		1800	2	2017-2018	84hp	0.9	DCPR8E	4179		DCPR8EIX	6546
<b>Chief Classic</b>		1800	2	2016-2016	84hp	0.9	DCPR8E	4179		DCPR8EIX	6546
<b>Chief Dark Horse</b>		1800	2	2016-2016	84hp	0.9	DCPR8E	4179		DCPR8EIX	6546
<b>Chieftain</b>		1800	2	2016-2018	84hp	0.9	DCPR8E	4179		DCPR8EIX	6546
<b>Chieftain Dark Horse</b>		1800	2	2016-2018	84hp	0.9	DCPR8E	4179		DCPR8EIX	6546
<b>Chieftain Elite</b>		1800	2	2017-2017	84hp	0.9	DCPR8E	4179		DCPR8EIX	6546
<b>Chieftain Limited</b>		1800	2	2017-2018	84hp	0.9	DCPR8E	4179		DCPR8EIX	6546
<b>Chief Vintage</b>		1800	2	2016-2016	84hp	0.9	DCPR8E	4179		DCPR8EIX	6546
<b>Roadmaster</b>		1800	2	2016-2018	84hp	0.9	DCPR8E	4179		DCPR8EIX	6546
<b>Roadmaster Classic</b>		1800	2	2017-2018	84hp	0.9	DCPR8E	4179		DCPR8EIX	6546
<b>Roadmaster Elite</b>		1800	2	2018-2018	84hp	0.9	DCPR8E	4179		DCPR8EIX	6546
<b>Springfield</b>		1800	2	2016-2018	84hp	0.9	DCPR8E	4179		DCPR8EIX	6546
<b>Springfield Dark Horse</b>		1800	2	2018-2018	84hp	0.9	DCPR8E	4179		DCPR8EIX	6546
<b>Dakota 4</b>		1850	4	2003-		0.6	BPR6HS BPR7HS	7022 6422		BPR6HIX BPR7HIX	4085 5944
<b>Dakota 4 Classic</b>		1850	4	2003-		0.6	BPR7HS BPR6HS	6422 7022		BPR7HIX BPR6HIX	5944 4085
<b>Dakota 4 Highway</b>		1850	4	2003-		0.6	BPR6HS BPR7HS	7022 6422		BPR6HIX BPR7HIX	4085 5944
<b>Dakota 4 si</b>		1850	4	2003-		0.6	BPR6HS BPR7HS	7022 6422		BPR6HIX BPR7HIX	4085 5944

**ITALJET**

<b>Ascot 50</b>		50	1	-		0.6	BP7HS	5111		BPR7HIX	5944
<b>Bazooka</b>		50	1	-		0.6	BP7HS	5111		BPR7HIX	5944
<b>Bazooka II</b>		50	1	-		0.6	BP7HS	5111		BPR7HIX	5944
<b>Cruise</b>		50	1	-		0.6	BP6HS	4511		BPR6HIX	4085
<b>Dragster 50</b>		50	1	1996-1997		0.6	BPR8HS	3725		BPR8HIX	6742
<b>Dragster 50</b>		50	1	1997-1998		0.6	BPR8HS	3725		BPR8HIX	6742
<b>Dragster 50</b>	ZJTDRG000	50	1	1998-		0.6	B7HS	5110		BR7HIX	7067
<b>Dragster 50</b>	ZJTDRG000	50	1	1998-		0.6	BR8HS	4915	Q212	BR8HIX	7001
<b>Dragster 50 Café racer</b>		50	1	1998-		0.6	BR8HS	4915	Q212	BR8HIX	7001

\* Bitte Elektrodenabstand nach Angaben des Herstellers justieren

\* Please adjust the ground electrode gap

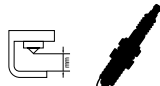
\* Veuillez vérifier l'écartement

\* Por favor, ajustar la distancia entre los electrodos

\* Regolare il gap

\* Iridium IX Spark Plug is the standard recommendation





Stock No.

Quick No.

Upgrade ↑

Stock No. ↑

**ITALJET**

Fastboy		50	1	1998-		0.6	BR7HS	4737		BR7HIX	7067
Formula 50		50	1	1995-		0.6	BPR6HS	7022		BPR6HIX	4085
Formula 50		50	1	1996-		0.6	BPR6HS	7022		BPR6HIX	4085
Formula 50		50	1	1998-	Air	0.6	BR7HS	4737		BR7HIX	7067
Formula 50		50	1	1998-	Water fluid	0.6	BR8HS	4915	Q212	BR8HIX	7001
Formula 50		50	1	1999-	Air	0.6	BR8HS	4915	Q212	BR8HIX	7001
Jet-Set 50 2T		50	1	2001-2004		0.7	BR9ES	5722		BR9EIX	3981
Pista 50 Pista II		50	1	1995-		0.6	BP7HS	5111		BPR7HIX	5944
Pulce		50	1	-		0.5	B6HS	4510		BR6HIX	3419
Reporter		50	1	-		0.6	BP7HS	5111		BPR7HIX	5944
Scoop 50		50	1	-		0.6	BP7HS	5111		BPR7HIX	5944
Sunny 50		50	1	-		0.6	BP6HS	4511		BPR6HIX	4085
Tiffany		50	1	-		0.5	B5HS	4210			
Torpedo 25		50	1	1997-		0.6	BPR8HS	3725		BPR8HIX	6742
Torpedo 4T		50	1	-		0.6	CR7E	4578	Q225	CR7EIX	7385
Torpedo 50		50	1	1997-2004		0.6	BPR6HS	7022		BPR6HIX	4085
Torpedo 50		50	1	1998-		0.6	BR7HS	4737		BR7HIX	7067
Torpedo 50 2T		50	1	-	Italy	0.6	B7HS	5110		BR7HIX	7067
Torpedo T50		50	1	1997-2004		0.6	BPR6HS	7022		BPR6HIX	4085
Velocifero		50	1	-1997		0.7	BPR6HS	7022		BPR6HIX	4085
Velocifero		50	1	1998-		0.6	BR8HS	4915	Q212	BR8HIX	7001
Winner		50	1	-		0.5	B5HS	4210			
Yankee 50		50	1	-		0.6	BP7HS	5111		BPR7HIX	5944
Millenium 100		100	1	-		0.6	BR7HS	4737		BR7HIX	7067
Dragster 125	DR5010	125	1	1997-1997		0.6	B7HS	5110		BR7HIX	7067
Dragster 125	DR5010	125	1	1998-2004		0.6	BR9ES	5722		BR9EIX	3981
Dragster 125	DR5010	125	1	2000-		0.7	BP7HS	5111		BPR7HIX	5944
Formula 125	ZJTFR2000	125	1	-	Water fluid	0.6	BR7HS	4737		BR7HIX	7067
Formula 125	ZJTFR2000	125	1	1997-1998		0.6	B7HS	5110		BR7HIX	7067
Formula 125	ZJTFR2000	125	1	1998-		0.6	BR8HS	4915	Q212	BR8HIX	7001
Jet-Set 125 4T		125	1	-		0.6	CR7E	4578	Q225	CR7EIX	7385
Jupiter 125		125	1	-		0.7	CR8E	4854	Q226	CR8EIX	4218
Millenium 125 4T	FC	125	1	1999-		0.7	CR8E	4854	Q226	CR8EIX	4218
Super Range		125	1	-		0.5	B7HS	5110		BR7HIX	7067
Torpedo 125 4T		125	1	1998-		0.7	CR7E	4578	Q225	CR7EIX	7385
Union 125		125	1	1998-		0.5	BP7HS	5111		BPR7HIX	5944
Jet-Set 150 4T		150	1	-		0.6	CR7E	4578	Q225	CR7EIX	7385
Jupiter 150		150	1	-		0.7	CR8E	4854	Q226	CR8EIX	4218
Millenium 150		150	1	-		0.7	CR8E	4854	Q226	CR8EIX	4218
Torpedo 150 4T		150	1	1999-		0.7	CR8EB	7784			
Dragster 180		180	1	1998-		0.6	BR9ES	5722		BR9EIX	3981
Jupiter 250		250	1	-		0.6	DR8EA	7162		DR8EIX	6681
Millenium 250		250	1	1999-		0.6	DR8EA	7162		DR8EIX	6681

**ITTECO**

Hornet		50	1	-		0.6	BP6HS	4511		BPR6HIX	4085
--------	--	----	---	---	--	-----	-------	------	--	---------	------

**IZH**

6.113.6.114		347	2	-	24hp	0.7	BP6HS	4511		BPR6HIX	4085
6.113-01		347	2	-	24hp	0.7	BP6HS	4511		BPR6HIX	4085
7.107		347	2	-	22hp	0.7	BP7HS	5111		BPR7HIX	5944
Planeta		347	2	-	20hp	0.7	BP7HS	5111		BPR7HIX	5944
Planeta		347	2	-	18hp	0.7	BP7HS	5111		BPR7HIX	5944

\* Bitte Elektrodenabstand nach Angaben des Herstellers justieren

\* Please adjust the ground electrode gap

\* Veuillez vérifier l'écartement

\* Por favor, ajustar la distancia entre los electrodos

\* Regolare il gap

\*\* Iridium IX Spark Plug is the standard recommendation





Stock No.

Quick No.

Upgrade ↑

Stock No. ↑

**JAWA**

<b>210 Babetta</b>		50	1	-		0.6	B5HS	4210			
<b>Betka 50</b>		50	1	2006-		0.6	C7HSA	4629		CR7HIX	7544
<b>Jazz</b>		50	1	-		0.5	B6HS	4510		BR6HIX	3419
<b>Jive</b>		50	1	-		0.5	B6HS	4510		BR6HIX	3419
<b>MJ50</b>		50	1	-		0.5	B6HS	4510		BR6HIX	3419
<b>MJ50 K'start</b>		50	1	-		0.5	B6HS	4510		BR6HIX	3419
<b>MJ50 Korado Basic</b>		50	1	-		0.5	B6HS	4510		BR6HIX	3419
<b>MJ50 Lux</b>		50	1	-		0.5	B6HS	4510		BR6HIX	3419
<b>Moped</b>		50	1	-		0.5	B8HS	5510		BR8HIX	7001
<b>Dakar 125</b>		125	1	2003-		0.7	D8EA	2120	Q216	DR8EIX	6681
<b>Dandy 125</b>		125	1	1999-		0.7	D8EA	2120	Q216	DR8EIX	6681
<b>Dandy 125</b>		125	1	2000-		0.8	DR8ES	5423	Q217	DR8EIX	6681
<b>Sport 125</b>		125	1	2003-		0.7	D8EA	2120	Q216	DR8EIX	6681
<b>350 Style</b>		350	2	1993-		0.5	B8HS	5510		BR8HIX	7001
<b>640</b>		350	2	-		0.6	B6HS	4510		BR6HIX	3419
<b>Chopper 350</b>		350	2	-		0.5	B8HS	5510		BR8HIX	7001
<b>Scot 'Sabater 350</b>		350	2	2000-		0.5	B8HS	5510		BR8HIX	7001
<b>Style 350</b>		350	2	-		0.5	B8HS	5510		BR8HIX	7001
<b>Twin Sport</b>		350	2	-		0.5	B8HS	5510		BR8HIX	7001
<b>Classic 650</b>		650	2	2004-		0.7	DR8EA	7162		DR8EIX	6681
<b>Dakar 650</b>		650	2	2006-		0.7	DR8EA	7162		DR8EIX	6681
<b>Style 650</b>		650	2	2004-		0.7	DR8EA	7162		DR8EIX	6681

**JIALING**

<b>CJ F</b>		50	1	-		0.7	BPR6HS	7022		BPR6HIX	4085
<b>CJ K</b>		50	1	-		0.7	BPR6HS	7022		BPR6HIX	4085
<b>JD</b>		50	1	1997-		0.6	BPR6HSA	4632		BPR6HIX	4085
<b>JH</b>		50	1	1995-		0.7	C7HSA	4629		CR7HIX	7544
<b>JL</b>		50	1	1997-		0.6	BPR6HSA	4632		BPR6HIX	4085
<b>LX</b>		50	1	-		0.7	BPR6HSA	4632		BPR6HIX	4085
<b>QM</b>		50	1	-		0.7	BPR4HS	7823			
<b>TA 55</b>		50	1	-		0.7	BPR6HSA	4632		BPR6HIX	4085
<b>CJ</b>		70	1	-		0.7	CR7HSA	4549		CR7HIX	7544
<b>JD</b>		70	1	1994-		0.7	C7HSA	4629		CR7HIX	7544
<b>JH</b>		70	1	1994-		0.7	C7HSA	4629		CR7HIX	7544
<b>JH</b>		90	1	1994-		0.7	C6HSA	3228		CR6HIX	7274
<b>K</b>		90	1	-		0.7	BP7HS	5111		BPR7HIX	5944
<b>K</b>		100	1	-		0.7	BP7HS	5111		BPR7HIX	5944
<b>QM</b>		100	1	-		0.7	BP7HS	5111		BPR7HIX	5944
<b>JH</b>		125	1	1994-		0.7	DR8ES-L	2923	Q218	DR9EIX	4772
<b>Sanyang Duke</b>		125	1	-		0.9	DPR7EA-9	5129	Q220	DPR7EIX-9	7803
<b>Sanyang Wolf</b>		125	1	-		0.7	DR8ES-L	2923	Q218	DR9EIX	4772

**JIANSHE**

<b>JS125Y Tiger</b>		125	1	2003-		0.7	DR8ES	5423	Q217	DR8EIX	6681
---------------------	--	-----	---	-------	--	-----	-------	------	------	--------	------

**JINCHENG**

<b>JC 50 Q</b>		50	1	-		0.6	C7HSA	4629		CR7HIX	7544
<b>JC 50 Q-7</b>		50	1	-		0.6	C7HSA	4629		CR7HIX	7544
<b>TR 36 L</b>		50	1	-		0.6	C7HSA	4629		CR7HIX	7544
<b>CJ 70 A</b>		70	1	-		0.7	CR6HSA	2983		CR6HIX	7274
<b>JC 90</b>		90	1	-		0.7	CR6HSA	2983		CR6HIX	7274
<b>JC 90-2B</b>		90	1	-		0.7	CR6HSA	2983		CR6HIX	7274
<b>JC 100-7 Cruiser</b>		100	1	-		0.6	C7HSA	4629		CR7HIX	7544

\*Bitte Elektrodenabstand nach Angaben des Herstellers justieren

\*Please adjust the ground electrode gap

\*Veuillez vérifier l'écartement

\* Por favor, ajustar la distancia entre los electrodos

\*Regolare il gap

\* Iridium IX Spark Plug is the standard recommendation





Stock No.

Quick No.

Upgrade ↑

Stock No. ↑

**JINCHENG**

JC 125-3A		125	1	-		0.7	D8EA	2120	Q216	DR8EIX	6681
JC 125-7B		125	1	-		0.7	D8EA	2120	Q216	DR8EIX	6681
JC 125- A		125	1	-		0.7	D8EA	2120	Q216	DR8EIX	6681

**JINLUN**

JL50QT		50	1	-		0.7	CR7HSA	4549		CR7HIX	7544
Hornet 125		125	1	-		0.7	CR7HSA	4549		CR7HIX	7544
JL125-11		125	1	-		0.7	CR7HSA	4549		CR7HIX	7544
JL125-13		125	1	-		0.7	CR7HSA	4549		CR7HIX	7544
JL125-C		125	1	-		0.7	CR7HSA	4549		CR7HIX	7544
JL125-T		125	1	-		0.7	CR7HSA	4549		CR7HIX	7544
JL125-Y		125	1	-		0.7	CR7HSA	4549		CR7HIX	7544
JL150		150	1	-		0.7	D8EA	2120	Q216	DR8EIX	6681
JL250		250	2	-		0.7	CR7HSA	4549		CR7HIX	7544

**JMSTAR**

CJ12M		125	1	-		0.7	C7HSA	4629		CR7HIX	7544
-------	--	-----	---	---	--	-----	-------	------	--	--------	------

**JONWAY**

Madness 50		50	1	-		0.7	C7HSA	4629		CR7HIX	7544
Adventure 125		125	1	2009-		0.7	C7HSA	4629		CR7HIX	7544
YY 125 T		125	1	2009-		0.8	CR7HSA	4549		CR7HIX	7544

**JOTAGAS**

JT 125	JT	125		-		*	BPMP6A	6726			
JT 250	JT	250		-		*	BPMP6A	6726			
JT 280	JT	280		-		*	BPMP6A	6726			

**KAWASAKI**

AR 50 A	AR050A	50	1	1993-1995		0.8	BR8ES	5422	Q207	BR8EIX	5044
KDX50		50	1	2003-2006	Constr.Code A1-3, A6F	0.7	BPR4HS	7823			
KMX 50		50	1	1993-1994		0.8	BR8ES	5422	Q207	BR8EIX	5044
KX 60 B	KX60B	60	1	1994-1994	Constr.Code 10	0.7	BR9EG	3230			
KX 60 B	KX065A	60	1	1995-2002	Constr.Code 11>18	0.7	BR9EG	3230			
KX 65 A	KX065A	65	1	2001-2005	Constr.Code 1>6	0.6	BR10EG	3830			
KX 65 A	KX065A	65	1	2006-2015	Constr.Code 6F>9F	0.7	BR10EG	3830			
KX 65 A	KX065A	65	1	2009-2009	Constr.Code 9F	0.7	BR10EG	3830			
KX 65 A	KX065A	65	1	2011-		0.6	BR10EG	3830			
KMX 80		80	1	1993-1995		0.8	BR8ES	5422	Q207	BR8EIX	5044
KX 80		80	1	1997-1999	Constr.Code 7>9	0.6	R6252K-105	2741			
KX 80 II		80	1	1997-1999		0.6	R6252K-105	2741			
KX 80 R		80	1	1992-1996	Constr.Code 2>6	0.6	R6252K-105	2741			
KX 80 R		80	1	1996-1997	Constr.Code 6-7	0.8	R6252K-105	2741			
KX 80 R Big Wheel	KX80-R	80	1	1992-1994		0.8	R6252K-105	2741			
KX 80 T		80	1	1992-1994	Constr.Code 2-4	0.7	R6254K-105	4076			
KX 80 T Big Wheel	KX80-T	80	1	1992-1994		0.7	R6254K-105	4076			
KX 80 W		80	1	1998-2000	Constr.Code 1-3	0.8	R6252K-105	2741			
KX 85 A		85	1	2001-2013	Constr.Code 1>5 / 6F/7F/8F/9F/AF/BF/CF/DF	0.8	R6252K-105	2741			
KX 85 B		85	1	2007-2013	Constr.Code 7F/8F/9F/AF/BF/CF/DF	0.8	R6252K-105	2741			
KX 85 II	KX085D	85	1	2014-		0.8	R6252K-105	2741			
KE 100 B	G5	100	1	1996-2001	Constr.Code 15>20	0.7	BR8ES	5422	Q207	BR8EIX	5044
KX 100 B		100	1	1992-1997	Constr.Code 2>7	0.7	R6254K-105	4076			

\*Bitte Elektrodenabstand nach Angaben des Herstellers justieren

\*Please adjust the ground electrode gap

\*Veuillez vérifier l'écartement

\* Por favor, ajustar la distancia entre los electrodos

\*Regolare il gap

\*\*Iridium IX Spark Plug is the standard recommendation





Stock No.

Quick No.

Upgrade ↑

Stock No. ↑

**KAWASAKI**

<b>KX 100 C</b>		100	1	1998-2000	Constr.Code 1>3	0.7	R6252K-105	2741			
<b>KX 100 D</b>		100	1	2001-2005	Constr.Code 1>5	0.7	R6252K-105	2741			
<b>KX 100 D</b>		100	1	2009-2009	Constr.Code 9FA	0.7	R6252K-105	2741			
<b>KX 100-D</b>		100	1	2006-2013	Constr.Code 6F>9F, AF>DF	0.7	R6252K-105	2741			
<b>KX 100 F</b>		100	1	2006-2015	Constr.Code F>FF	0.7	R6252K-105	2741			
<b>KX 100 F</b>		100	1	2014-2015	Constr.Code F>FF	0.7	R6252K-105	2741			
<b>AN 112</b>	SDF	110	1	2013-2013		0.7	C6HSA	3228		CR6HIX	7274
<b>AN 112 D</b>		110	1	2008-2011	Constr.Code 8F>BF	0.7	C6HSA	3228		CR6HIX	7274
<b>AN 112 Edge R</b>	RCF / SCF	110	1	2012-2012		0.7	C6HSA	3228		CR6HIX	7274
<b>AN 112 Edge VR</b>	RCF / SCF	110	1	2012-2012		0.7	C6HSA	3228		CR6HIX	7274
<b>KAZE 110</b>		110	1	1995-2000		0.7	C6HSA	3228		CR6HIX	7274
<b>KLX 110</b>		110	1	2007-		0.7	CR6HSA	2983		CR6HIX	7274
<b>KLX 110 A</b>	LX110A	110	1	2002-2009	Constr.Code 1>4 / 6F>9F	0.7	CR6HSA	2983		CR6HIX	7274
<b>KLX 110 C</b>	LX110C	110	1	2010-2014	Constr.Code AF>EF	0.7	CR6HSA	2983		CR6HIX	7274
<b>KLX 110L</b>		110	1	2010-2014	Constr.Code AF>EF	0.7	CR6HSA	2983		CR6HIX	7274
<b>KLX 110 Monster Energy</b>	LX110A	110	1	2009-2009	Constr.Code 9F	0.7	CR6HSA	2983		CR6HIX	7274
<b>KLX 111 Monster Energy</b>	LX110A	110	1	2009-2009	Constr.Code 9F	0.7	CR6HSA	2983		CR6HIX	7274
<b>KLX 140L Monster Energy</b>	LX110A	110	1	2009-2009	Constr.Code 9F	0.7	CR6HSA	2983		CR6HIX	7274
<b>KLX 140 Monster Energy</b>	LX110A	110	1	2009-2009	Constr.Code 9F	0.7	CR6HSA	2983		CR6HIX	7274
<b>KSR 110</b>		110	1	2003-		0.6	CR6HSA	2983		CR6HIX	7274
<b>BN 125</b>	BN125A	125	1	1998-		0.8	CR7E	4578	Q225	CR7EIX	7385
<b>BN 125 A Eliminator</b>	BN125A	125	1	2001-2007	Constr.Code 4-8, 6F-7F	0.8	CR7E	4578	Q225	CR7EIX	7385
<b>BN 125 Eliminator</b>	BN125A	125	1	1997-		0.6	CR8E	4854	Q226	CR8EIX	4218
<b>J 125</b>	SC125	125	1	2016-	13hp OHC	0.8	CR7E	4578	Q225	CR7EIX	7385
<b>KH 125</b>	KH125	125	1	1993-1995		0.8	BR8ES	5422	Q207	BR8EIX	5044
<b>KLX 125 A</b>	LX125A	125	1	2003-2006	Constr.Code 1>4	0.6	DR8EA	7162		DR8EIX	6681
<b>KLX 125 C</b>	LX125CC	125	1	2010-		0.8	CR7HSA	4549		CR7HIX	7544
<b>KLX 125 D D-Tracker</b>	LX125CD	125	1	2010-		0.8	CR7HSA	4549		CR7HIX	7544
<b>KLX 125 L</b>	LX125B	125	1	2003-2006	Constr.Code 1>4	0.6	DR8EA	7162		DR8EIX	6681
<b>KX 125 J</b>		125	1	1992-1993	Constr.Code 1 >2	0.6	R7376-10	4457			
<b>KX 125 K</b>	KXRK1R	125	1	1994-1994	Constr.Code 1	0.6	BR9EIX**	3981			
<b>KX 125 K</b>	KXRK1S	125	1	1995-1996	Constr.Code 2>3	0.6	BR9EIX**	3981			
<b>KX 125 K</b>	KXEK1V	125	1	1997-1997	Constr.Code 4	0.8	R6252K-105	2741			
<b>KX 125 K</b>	KXRKCW	125	1	1998-1998	Constr.Code 5	0.6	BR9EIX**	3981			
<b>KX 125 L</b>	KX125L	125	1	1999-1999	Constr.Code 1	0.6	BR9EIX**	3981			
<b>KX 125 L</b>	KX125L	125	1	2000-2001	Constr.Code 2>3	0.6	BR9EIX**	3981			
<b>KX 125 L</b>	KX125L	125	1	2002-2002	Constr.Code 4	0.6	BR9EIX**	3981			
<b>KX 125 M</b>	KX125M	125	1	2003-2003	Constr.Code 1	0.8	BR9EIX**	3981			
<b>KX 125 M</b>	KX125M	125	1	2004-2004	Constr.Code 2	0.6	R6918B-9	2954			
<b>KX 125 M</b>	KX125M	125	1	2005-2005	Constr.Code 3	0.6	R6918B-9	2954			
<b>KX 125 M</b>	KX125M	125	1	2006-	Constr.Code 6	0.8	BR9ECMIX**	2707			
<b>KLX 140 A</b>	KLX140A	140	1	2008-2015	Constr.Code 8F-9F / AF-FF	0.8	CR7HSA	4549		CR7HIX	7544
<b>KLX 140 L</b>	KLX140B	140	1	2008-2015	Constr.Code 8F-9F / AF-FF	0.8	CR7HSA	4549		CR7HIX	7544
<b>KDX 200 H</b>		200	1	1995-2006	Constr.Code 1>11 / 6F	0.8	BR8ES	5422	Q207	BR8EIX	5044
<b>KDX 220 A</b>		220	1	1997-2000	Constr.Code 4>7	0.7	BR8ES	5422	Q207	BR8EIX	5044
<b>KDX 220 A</b>		220	1	2001-2005	Constr.Code 8>12	0.7	BR8ES	5422	Q207	BR8EIX	5044
<b>KDX 220 R</b>		220	1	1997-2005		0.8	BR8ES	5422	Q207	BR8EIX	5044
<b>BJ 250</b>	BJ250A	250	1	1993-		0.7	DR8ES	5423	Q217	DR8EIX	6681

\*Bitte Elektrodenabstand nach Angaben des Herstellers justieren

\*Please adjust the ground electrode gap

\*Veuillez vérifier l'écartement

\* Por favor, ajustar la distancia entre los electrodos

\*Regolare il gap

\* Iridium IX Spark Plug is the standard recommendation





Stock No.

Quick No.

Upgrade ↑

Stock No. ↑

**KAWASAKI**

<b>BJ 250 A Estrella</b>	BJ250A	250	1	1994-1996		0.7	DR8ES	5423	Q217	DR8EIX	6681
<b>BJ 250 C Estrella</b>	BJ250C	250	1	1997-1997		0.7	DR9EA	3437	Q219	DR9EIX	4772
<b>BR 250</b>	Z250SL	250	1	2015-		0.8	MR8CI8	96973			
<b>BX 250</b>		250	1	2015-		0.8	MR8CI8	96973			
<b>EX 250</b>		250	2	2008-2012	Constr.Code K8F	0.7	CR8E	4854	Q226	CR8EIX	4218
<b>EX 250 R</b>		250	1	1993-1996		0.7	CR8HSA	2086		CR8HIX	7669
<b>GPX 250 R</b>		250	2	1999-1999		0.7	CR8HSA	2086		CR8HIX	7669
<b>KL 250 G</b>		250	1	2010-	Constr.Code AF	0.8	CR8E	4854	Q226	CR8EIX	4218
<b>KLX 250 R</b>		250	1	1993-1996	Constr.Code D1>D4	0.8	CR8E	4854	Q226	CR8EIX	4218
<b>KLX 250 S</b>	LX250S	250	1	2009-2010	Constr.Code 9F / AF	0.8	CR8E	4854	Q226	CR8EIX	4218
<b>KLX 250 S</b>	LX250S	250	1	2011-	Constr.Code BF	0.8	CR8E	4854	Q226	CR8EIX	4218
<b>KX 250 F 4T</b>	KX250N	250	1	2004-2004	Constr.Code N1	0.7	CR8EB	7784			
<b>KX 250 F 4T</b>	KX250N	250	1	2005-2005	Constr.Code N2	0.7	CR8EB	7784			
<b>KX 250 F 4T</b>	KX250T	250	1	2006-2009	Constr.Code T6F>T8F, W9F	0.7	CR8E	4854	Q226	CR8EIX	4218
<b>KX 250 F 4T</b>	KX250W	250	1	2009-	Constr.Code W9FA	0.7	CR8E	4854	Q226	CR8EIX	4218
<b>KX 250 F 4T</b>	KX250X	250	1	2010-	Constr.Code XAFB	0.7	CR8E	4854	Q226	CR8EIX	4218
<b>KX 250 F 4T</b>	KX250Y	250	1	2011-2012	Constr.Code YBF>YCF	0.9	CPR8EB-9	6607			
<b>KX 250 F 4T</b>	KX250Y	250	1	2013-2015	Constr.Code ZDF-ZFF	0.9	CPR8EB-9	6607			
<b>KX 250 J</b>		250	1	1992-1992	Constr.Code 1	0.6	R7376-9	7763			
<b>KX 250 J</b>		250	1	1993-1993	Constr.Code 2	0.6	R7376-9	7763			
<b>KX 250 K</b>		250	1	1994-1994	Constr.Code 1	0.6	R7376-9	7763			
<b>KX 250 K</b>		250	1	1995-1998	Constr.Code 2>5	0.8	BR8EIX**	5044			
<b>KX 250 L</b>		250	1	1999-2002	Constr.Code 1>4	0.8	BR8EIX**	5044			
<b>KX 250 M</b>		250	1	2003-2004	Constr.Code 1>2	0.8	BR8EIX**	5044			
<b>KX 250 R</b>		250	1	2005-2007	Constr.Code 6F>7F	0.6	BR8ECMIX**	3520			
<b>LX 250</b>		250	1	2009-2011		0.8	BR7ES	5122		BR7EIX	6664
<b>Ninja 250 SL A</b>	BX250A	250	1	2015-	Constr.Code GF / FS / FF 28hp	0.8	MR8CI8	96973			
<b>Ninja 250 SL B ABS</b>	BX250A	250	1	2015-	Constr.Code GF / FS / FF 28hp	0.8	MR8CI8	96973			
<b>Ninja 250 SL B KRT Edition ABS</b>		250	1	2015-2016	Constr.Code GFA / FSA 28hp	0.8	MR8CI8	96973			
<b>Ninja EX 250 R</b>	EX250K	250	2	2008-	Constr.Code K8F	0.8	CR8E	4854	Q226	CR8EIX	4218
<b>Ninja EX 250 R</b>	EX250K	250	2	2009-	Constr.Code K9F	0.7	CR8E	4854	Q226	CR8EIX	4218
<b>Ninja EX 250 R</b>	EX250K	250	2	2010-	Constr.Code KAF	0.8	CR8E	4854	Q226	CR8EIX	4218
<b>Ninja EX 250 R</b>	EX250K	250	2	2011-	Constr.Code KBF	0.7	CR8E	4854	Q226	CR8EIX	4218
<b>Ninja EX 250 R</b>	EX250K	250	2	2012-2014	Constr.Code KCF	0.8	CR8E	4854	Q226	CR8EIX	4218
<b>Z 250 SL</b>	BR250E	250	1	2015-	Constr.Code EGF / EFS / EFF 28hp	0.8	MR8CI8	96973			
<b>Z 250 SL ABS</b>	BR250E	250	1	2015-	Constr.Code GF / FS / FF 28hp	0.8	MR8CI8	96973			
<b>ZR 2 Balius</b>		250	4	1993-1996		0.8	CR9E	6263	Q227	CR9EIX	3521
<b>ZXR 250</b>		250	4	1993-1995		0.8	CR9E	6263	Q227	CR9EIX	3521
<b>EL 252 F Eliminator</b>	EL250B / EL250F	252	1	1996-1999	Constr.Code 2>3	0.7	CR8HSA	2086		CR8HIX	7669
<b>ER 300</b>	Z300	300	2	2015-		0.7	CR8E	4854	Q226	CR8EIX	4218
<b>J 300</b>	SC300	300	1	2014-	28hp OHC	0.8	CR7E	4578	Q225	CR7EIX	7385
<b>KLX 300 R</b>	LX300A	300	1	1996-2005	Constr.Code A1>10	0.8	CR8E	4854	Q226	CR8EIX	4218
<b>KLX 300 R</b>	LX300A	300	1	2006-2007	Constr.Code A6F>A7F	0.8	CR8E	4854	Q226	CR8EIX	4218
<b>Ninja EX 300</b>		300	2	2013-		0.7	CR8E	4854	Q226	CR8EIX	4218
<b>SC 300</b>		300	1	2014-		0.7	CR7E	4578	Q225	CR7EIX	7385
<b>KLE 400</b>		400	2	1993-1993		0.7	DR8EA	7162		DR8EIX	6681
<b>KLX 400 R</b>	LX400A	400	1	2003-2004	Constr.Code B1>2	0.8	CR8E	4854	Q226	CR8EIX	4218
<b>KLX 400 SR</b>	LX400A	400	1	2003-	Constr.Code A1	0.8	CR8E	4854	Q226	CR8EIX	4218

\*Bitte Elektrodenabstand nach Angaben des Herstellers justieren

\*Please adjust the ground electrode gap

\*Veuillez vérifier l'écartement

\* Por favor, ajustar la distancia entre los electrodos

\*Regolare il gap

\*\*Iridium IX Spark Plug is the standard recommendation





Stock No.

Quick No.

Upgrade ↑

Stock No. ↑

**KAWASAKI**

<b>Ninja 400</b>	EX400	400	2	2018-	45hp DOHC	0.8	LMAR9G	97476			
<b>ZL 400 Eliminator</b>		400	4	1993-1993		0.7	DR8ES	5423	Q217	DR8EIX	6681
<b>ZR 400 C Zephyr</b>		400	4	1993-1993		0.9	DPR9EA-9	5329	Q222	DPR9EIX-9	5545
<b>ZR 400 D Xanthus</b>		400	4	1993-1993		0.8	CR9EK	5600	Q230		
<b>ZXR 400</b>	ZX400L	400	4	1998-1999		0.8	CR9EK	5600	Q230		
<b>ZZR 400 N6</b>		400	4	1998-		0.8	CR9EK	5600	Q230		
<b>ZZR 400 N7</b>		400	4	1999-		0.8	CR9EK	5600	Q230		
<b>KFX 450 R</b>	SF450B	450	1	2008-		0.9	CPR8EB-9	6607			
<b>KLX 450</b>	LX450A	450	1	2008-		0.9	CPR8EB-9	6607			
<b>KLX 450 R</b>	LX450A	450	1	2008-		0.9	CPR8EB-9	6607			
<b>KLX 450 R</b>	LX450A	450	1	2012-2014	Constr.Code ACF>AEF	0.9	CPR8EB-9	6607			
<b>KX 450 F</b>	KX450D	450	1	2006-2008	Constr.Code D6F>D8F	0.9	CPR8EB-9	6607			
<b>KX 450 F</b>	KX450E	450	1	2009-2013	Constr.Code E9F, EAF>EBF, FCF>FDF	0.9	CPR8EB-9	6607			
<b>KX 450 F</b>	KX450F	450	1	2013-2015	Constr.Code FDF>FFF	0.9	CPR8EB-9	6607			
<b>EN 500 B</b>	EN500B	500	2	1994-1995		0.7	DR9EA	3437	Q219	DR9EIX	4772
<b>EN 500 C</b>	EN500C	500	2	1996-1999		0.7	DR9EA	3437	Q219	DR9EIX	4772
<b>ER 500 A Twister</b>	ER500AA	500	2	1997-2000		0.7	DR9EA	3437	Q219	DR9EIX	4772
<b>ER-5 B Twister</b>	ER500AB	500	2	1997-2000		0.7	DR9EA	3437	Q219	DR9EIX	4772
<b>ER-5 C Twister</b>	ER500AC	500	2	2001-2006		0.7	DR9EA	3437	Q219	DR9EIX	4772
<b>ER-5 D Twister</b>	ER500AD	500	2	2001-2006		0.7	DR9EA	3437	Q219	DR9EIX	4772
<b>EX 500 E10</b>		500	2	2002-2004		0.7	DR9EA	3437	Q219	DR9EIX	4772
<b>EX 500 R Ninja</b>		500	2	1993-1997		0.7	DR9EA	3437	Q219	DR9EIX	4772
<b>GPZ 500 S</b>	EX500D	500	2	1994-2003		0.7	DR9EA	3437	Q219	DR9EIX	4772
<b>KX 500 E</b>	KX500E	500	1	2001-2004	Constr.Code 13>16	0.6	BR8EG	3130			
<b>GPX 600</b>	ZX600C	600	4	1993-1999		0.7	DR9EA	3437	Q219	DR9EIX	4772
<b>ZL 600 B Eliminator</b>	ZL600B	600	4	1995-1997		0.7	DR9EA	3437	Q219	DR9EIX	4772
<b>ZX-6 R Ninja</b>	ZX600	600	4	1995-2008		0.8	CR9E	6263	Q227	CR9EIX	3521
<b>ZX-6 R Ninja</b>	ZX600R	600	4	2009-		0.7	CR9E	6263	Q227	CR9EIX	3521
<b>ZX-6 RR Ninja</b>	X600KK / ZX600KM / ZX600N	600	4	2004-		0.8	CR9E	6263	Q227	CR9EIX	3521
<b>ZZ-R 600</b>	ZX600E	600	4	2001-2006		0.7	CR9E	6263	Q227	CR9EIX	3521
<b>ZX-6 R Ninja</b>	ZX600	636	4	2003-2008		0.8	CR9E	6263	Q227	CR9EIX	3521
<b>ZX-6 R Ninja</b>	ZX600R	636	4	2009-		0.7	CR9E	6263	Q227	CR9EIX	3521
<b>ZX-6 RR Ninja</b>	ZX600KK / ZX600KM / ZX600N	636	4	2003-		0.8	CR9E	6263	Q227	CR9EIX	3521
<b>ER-6F 650</b>	EX650A	650	2	2006-2010		0.9	CR9EIA-9	6289			
<b>ER-6F 650</b>	EX650C	650	2	2011-		0.9	CR9EIA-9	6289			
<b>ER-6N 650</b>	ER650A	650	2	2006-2010		0.9	CR9EIA-9	6289			
<b>ER-6N 650</b>	ER650C	650	2	2011-		0.9	CR9EIA-9	6289			
<b>EX 650 Ninja</b>	JHF	650	2	2017-	68hp	0.9	CR9EIA-9	6289			
<b>KLE 650 Versys</b>		650	2	2007-	Constr.Code 7F>9F	0.9	CR9EIA-9	6289			
<b>KLE 650 Versys</b>		650	2	2010-		0.9	CR9EIA-9	6289			
<b>KLE 650 Versys ABS</b>		650	2	2014-	Constr.Code EF	0.9	CR9EIA-9	6289			
<b>KLE 650 Versys Tourer</b>		650	2	2011-		0.9	CR9EIA-9	6289			
<b>KLR 650 C</b>		650	1	1995-2004		0.9	DPR8EA-9	4929	Q221	DPR8EIX-9	2202
<b>KLR 650 New Edition</b>	KL650EES	650	1	2014-		0.9	DPR8EA-9	4929	Q221	DPR8EIX-9	2202
<b>KLX 650</b>		650	1	1993-1995		0.9	DPR8EA-9	4929	Q221	DPR8EIX-9	2202
<b>KLX 650 R</b>		650	1	1993-2001		0.9	DPR8EA-9	4929	Q221	DPR8EIX-9	2202
<b>W 650</b>		650	2	1999-2006		0.8	CR8E	4854	Q226	CR8EIX	4218
<b>Z 750</b>		750	4	2004-2006		0.7	CR9EK	5600	Q230		

\* Bitte Elektrodenabstand nach Angaben des Herstellers justieren

\* Please adjust the ground electrode gap

\* Veuillez vérifier l'écartement

\* Por favor, ajustar la distancia entre los electrodos

\* Regolare il gap

\* Iridium IX Spark Plug is the standard recommendation







Stock No.

Quick No.

Upgrade ↑

Stock No. ↑

**KAWASAKI**

<b>Z 750 ABS</b>		750	4	2007-		0.7	CR9EK	5600	Q230		
<b>Z 750 R</b>	ZR750NPA	750	4	2011-		0.7	CR9EK	5600	Q230		
<b>Z 750 S</b>	ZR750J	750	4	2005-2006		0.7	CR9EK	5600	Q230		
<b>ZR 750 C Zephyr</b>		750	4	1995-1995		0.7	DR9EA	3437	Q219	DR9EIX	4772
<b>ZR 750 D Zephyr</b>		750	4	1996-1999		0.7	DR9EA	3437	Q219	DR9EIX	4772
<b>ZR 750 J</b>	Z750	750	4	2004-	Constr.Code 1H	0.7	CR9EK	5600	Q230		
<b>ZR 750 J</b>	Z750	750	4	2005-	Constr.Code 6F	0.7	CR9EK	5600	Q230		
<b>ZR 750 K</b>	Z750S	750	4	2006-	Constr.Code 6F	0.7	CR9EK	5600	Q230		
<b>ZR 750 L</b>	Z750	750	4	2007-2010	Constr.Code 7F / 8F / 9F / AF	0.7	CR9EK	5600	Q230		
<b>ZR 750 M</b>	Z750	750	4	2007-2010	Constr.Code 7F / 8F	0.7	CR9EK	5600	Q230		
<b>ZR 750 N</b>	Z750R	750	4	2011-		0.7	CR9EK	5600	Q230		
<b>ZR-7 750 F</b>	ZR750FF	750	4	1999-2004		0.7	DR9EA	3437	Q219	DR9EIX	4772
<b>ZR-7 750 S</b>	ZR750FH	750	4	2001-2004		0.7	DR9EA	3437	Q219	DR9EIX	4772
<b>ZX 750</b>		750	4	2004-		0.7	DR9EA	3437	Q219	DR9EIX	4772
<b>ZX 7R 750 P Ninja</b>	ZX750P	750	4	1996-2002		0.7	CR9E	6263	Q227	CR9EIX	3521
<b>ZX 7RR 750 N Ninja</b>	ZX750N	750	4	1996-1999		0.7	CR9E	6263	Q227	CR9EIX	3521
<b>ZXR 750 L</b>	ZX750L	750	4	1993-1995		0.8	CR9E	6263	Q227	CR9EIX	3521
<b>VN 800 A</b>	VN800A	800	2	1995-1999		0.8	CR7E	4578	Q225	CR7EIX	7385
<b>VN 800 B Classic</b>	VN800B	800	2	1996-2006		0.8	CR7E	4578	Q225	CR7EIX	7385
<b>VN 800 C Drifter</b>	VN800CC	800	2	1999-2000		0.8	CR7E	4578	Q225	CR7EIX	7385
<b>VN 800 E Drifter</b>	VN800CE	800	2	2001-2003		0.8	CR7E	4578	Q225	CR7EIX	7385
<b>VN 800 Vulcan</b>		800	2	2006-		0.9	CPR7EA-9	3901		CPR7EAIX-9	9198
<b>W 800 A</b>	EJ800A	800	2	2011-		0.8	CR8E	4854	Q226	CR8EIX	4218
<b>W 800 A Special Edition</b>	EJ800A	800	2	2012-		0.8	CR8E	4854	Q226	CR8EIX	4218
<b>Z 800</b>		800	4	2014-		0.8	CR9EK	5600	Q230		
<b>Z 800 E-Version</b>		800	4	2014-		0.8	CR9EK	5600	Q230		
<b>VN 900 B Classic</b>	VN900B	900	2	2006-		0.9	CPR7EA-9	3901		CPR7EAIX-9	9198
<b>VN 900 C Custom</b>	VN900C	900	2	2007-		0.9	CPR7EA-9	3901		CPR7EAIX-9	9198
<b>VN 900 Classic Special</b>	VN900B	900	2	2011-		0.9	CPR7EA-9	3901		CPR7EAIX-9	9198
<b>VN 900 Light Tourer</b>	VN900B	900	2	2011-		0.9	CPR7EA-9	3901		CPR7EAIX-9	9198
<b>ZX-9R B Ninja</b>	ZX900B	900	4	1994-1997		0.7	CR9EK	5600	Q230		
<b>ZX-9R C Ninja</b>	ZX900CC	900	4	1998-1999	Italy	0.7	CR9EK	5600	Q230		
<b>ZX-9R D Ninja</b>	ZX900CD	900	4	1998-1999		0.7	CR9EK	5600	Q230		
<b>ZX-9R E Ninja</b>	ZX900EE	900	4	2000-2001	Italy	0.7	CR9EK	5600	Q230		
<b>ZX-9R F Ninja</b>	ZX900EF	900	4	2002-2003	Italy	0.7	CR9EK	5600	Q230		
<b>GTR 1000 A</b>	ZXT00A	1000	4	1996-2003	Italy	0.7	DR9EA	3437	Q219	DR9EIX	4772
<b>KLV 1000 A</b>	BS1122	1000	2	2004-2006		0.7	CR8EK	3478			
<b>KLZ 1000 Versys</b>		1000	4	2012-2012	Constr.Code ACF	0.9	CR9EIA-9	6289			
<b>KZ 1000 Police</b>		1000	4	2001-2005	Constr.Code P20>24	0.8	BR8ES	5422	Q207	BR8EIX	5044
<b>Ninja H2</b>	ZX1000NFF	1000	4	2015-	Constr.Code FF 200hp	0.9	SILMAR9B9	95399			
<b>Ninja H2</b>		1000	4	2018-	231hp	0.9	SILMAR9E9	95123			
<b>Ninja H2R</b>		1000	4	2015-	310hp	0.9	SILMAR9B9	95399			
<b>Z 1000 A</b>	ZRT00AA	1000	4	2003-2006	Constr.Code 1H>6F	0.8	CR9EK	5600	Q230		
<b>Z 1000 C</b>	ZRT00BC	1000	4	2007-2009	Italy	0.9	CR9EIA-9	6289			
<b>Z 1000 E</b>	ZRT00DE	1000	4	2010-		0.9	CR9EIA-9	6289			
<b>Z 1000 H</b>	KZT00HH	1000	4	2010-		0.9	CR9EIA-9	6289			
<b>Z 1000 SX</b>		1000	4	2010-2013	138hp	0.9	CR9EIA-9	6289			
<b>Z 1000 SX</b>	ZX1000L/ ZX1000M	1000	4	2014-	143hp	0.9	CR9EIA-9	6289			
<b>Z 1000 SX Tourer</b>	ZXT00GH	1000	4	2011-2013	138hp	0.9	CR9EIA-9	6289			
<b>ZX-10R C Ninja</b>	ZXT00C	1000	4	2004-2005		0.9	CR9EIA-9	6289			
<b>ZX-10R D Ninja</b>	ZXT00D	1000	4	2006-2007		0.9	CR9EIA-9	6289			

\* Bitte Elektrodenabstand nach Angaben des Herstellers justieren

\* Please adjust the ground electrode gap

\* Veuillez vérifier l'écartement

\* Por favor, ajustar la distancia entre los electrodos

\* Regolare il gap

\*\* Iridium IX Spark Plug is the standard recommendation





Stock No.

Quick No.

Upgrade ↑

Stock No. ↑

**KAWASAKI**

<b>ZX-10R E Ninja</b>	ZXT00E	1000	4	2008-2009		0.9	CR9EIA-9	6289			
<b>ZX-10R F Ninja</b>	ZXT00F	1000	4	2010-2010		0.9	CR9EIA-9	6289			
<b>ZX-10R Ninja</b>		1000	4	2010-		0.9	CR9EIA-9	6289			
<b>ZX-10R Ninja</b>	ZX1000SHF	1000	4	2016-	Constr.Code HF 200hp	0.9	SILMAR9B9	95399			
<b>ZX-10R Ninja ABS</b>		1000	4	2016-	200hp	0.9	SILMAR9B9	95399			
<b>ZX-10R Ninja KRT Edition</b>	ZX1000SGFA	1000	4	2016-	Constr.Code FA 200hp	0.9	SILMAR9B9	95399			
<b>GPZ 1100 E</b>	ZXT10E	1100	4	1995-1998		0.8	CR9EK	5600	Q230		
<b>GPZ 1100 F</b>	ZXT10E	1100	4	1996-1998		0.8	CR9EK	5600	Q230		
<b>ZR 1100 A Zephyr</b>	ZRT10A	1100	4	1992-1995		0.8	CR9E	6263	Q227	CR9EIX	3521
<b>ZR 1100 B Zephyr</b>	ZRT10B	1100	4	1996-1997		0.8	CR9E	6263	Q227	CR9EIX	3521
<b>ZR 1100 C</b>		1100	4	1997-2001	Constr.Code 1>4	0.7	CR9EK	5600	Q230		
<b>ZRX 1100 C</b>	ZRT10C	1100	4	1997-2000		0.8	CR9EK	5600	Q230		
<b>ZX-11 1100 Ninja</b>		1100	4	-1992		0.8	C9E	7499		CR9EIX	3521
<b>ZX-11 1100 Ninja</b>		1100	4	1993-		0.8	CR9E	6263	Q227	CR9EIX	3521
<b>ZZR 1100 D</b>	ZXT10D	1100	4	1993-1997		0.7	CR9E	6263	Q227	CR9EIX	3521
<b>ZZR 1100 G</b>	ZXT10DG	1100	4	1998-2001		0.7	CR9E	6263	Q227	CR9EIX	3521
<b>ZRX 1200 C</b>	ZRT20AC	1200	4	2001-2004		0.7	CR9EK	5600	Q230		
<b>ZRX 1200 R</b>	ZRT20AA	1200	4	2001-2006		0.7	CR9EK	5600	Q230		
<b>ZRX 1200 S</b>	ZRT20AB	1200	4	2001-2004		0.7	CR9EK	5600	Q230		
<b>ZX-12R 1200 A Ninja</b>	ZXT20AA	1200	4	2000-2001		0.7	CR9EKPA	7785			
<b>ZX-12R 1200 B Ninja</b>	ZXT20AB	1200	4	2002-2006		0.7	CR9EKPA	7785			
<b>ZZR 1200 C</b>	ZXT20CC	1200	4	2002-2005		0.7	CR9E	6263	Q227	CR9EIX	3521
<b>GTR 1400 A</b>	ZGT40A	1400	4	2008-		0.9	CR9EIA-9	6289			
<b>GTR 1400 Grand Tourer</b>	ZGT40C	1400	4	2011-		0.9	CR9EIA-9	6289			
<b>ZZR 1400 B</b>	ZXT40A	1400	4	2006-2007		0.9	CR9EIA-9	6289			
<b>ZZR 1400 D</b>	ZXT40C	1400	4	2008-2011		0.9	CR9EIA-9	6289			
<b>VN 1500 D Classic</b>	VNT50D	1500	2	1996-1997		0.9	DPR7EA-9	5129	Q220	DPR7EIX-9	7803
<b>VN 1500 F Classic</b>	VNT50D	1500	2	1998-1999		0.9	DPR5EA-9	2887			
<b>VN 1500 G Classic Tourer</b>	VNT50GG	1500	2	1998-1999		0.9	DPR5EA-9	2887			
<b>VN 1500 H Classic Tourer</b>	VNT50GH	1500	2	1998-1999		0.9	DPR5EA-9	2887			
<b>VN 1500 J Drifter</b>	VNT50JJ	1500	2	1999-2000		0.9	DPR6EA-9	5531			
<b>VN 1500 L Classic Tourer</b>		1500	2	2000-2004		0.9	DPR6EA-9	5531			
<b>VN 1500 N Classic</b>		1500	2	2000-2002		0.9	DPR6EA-9	5531			
<b>VN 1500 P Mean Streak</b>	VNT50P	1500	2	2002-2003		0.9	DPR6EA-9	5531			
<b>VN 1500 R Drifter</b>	VNT50JR	1500	2	2001-2003		0.9	DPR6EA-9	5531			
<b>VN 1600 A Classic</b>	VNT60A	1600	2	2003-2008		0.9	DPR6EA-9	5531			
<b>VN 1600 B Mean Streak</b>	VNT60B	1600	2	2004-2008		0.9	DPR6EA-9	5531			
<b>VN 1600 D Classic Tourer</b>	VNT60AD	1600	2	2005-2008		0.9	DPR6EA-9	5531			
<b>VN 1700 Classic</b>	VNT70C	1700	2	2009-		1.1	ILZKAR7B11	6283			
<b>VN 1700 Classic Tourer</b>	VNT70C	1700	2	2009-		1.1	ILZKAR7B11	6283			
<b>VN 1700 Light Tourer</b>		1700	2	2011-		1.1	ILZKAR7B11	6283			
<b>VN 1700 Voyager</b>	VNT70A	1700	2	2009-		1.1	ILZKAR7B11	6283			
<b>VN 1700 Voyager Custom</b>	VNT70JK	1700	2	2011-		1.1	ILZKAR7B11	6283			
<b>VN 2000 A</b>	VNW00A	2000	2	2004-2008		1.1	IZFR6F11	4095			
<b>VN 2000 H Classic</b>	VNW00H	2000	2	2008-		1.1	IZFR6F11	4095			

**KEEWAY**

<b>Easy 25 V2</b>	SHRC005001	50	1	-		0.8	BR7ES	5122		BR7EIX	6664
-------------------	------------	----	---	---	--	-----	-------	------	--	--------	------

\* Bitte Elektrodenabstand nach Angaben des Herstellers justieren

\* Please adjust the ground electrode gap

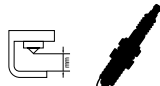
\* Veuillez vérifier l'écartement

\* Por favor, ajustar la distancia entre los electrodos

\* Regolare il gap

\* Iridium IX Spark Plug is the standard recommendation





Stock No.

Quick No.

Upgrade ↑

Stock No. ↑

**KEEWAY**

Easy 45 V2	SHRC005001	50	1	-		0.8	BR7ES	5122		BR7EIX	6664
F-Act		50	1	-		0.6	BR6HSA	4461	Q210		
Flash		50	1	2006-		0.6	BR6HSA	4461	Q210		
Flash 25 V1		50	1	-		0.8	BR7ES	5122		BR7EIX	6664
Flash 45 V1		50	1	-		0.8	BR7ES	5122		BR7EIX	6664
Focus 25 V2		50	1	-		0.8	BR7ES	5122		BR7EIX	6664
Focus 45 V1	SYTABMP1	50	1	-		0.8	BR7ES	5122		BR7EIX	6664
Focus 45 V2		50	1	-		0.8	BR7ES	5122		BR7EIX	6664
Goccia		50	1	2010-		0.6	BR8HSA	5539			
Hurricane		50	1	2008-	10mm Thread Size / 12,7mm Thread Reach	0.7	C7HSA	4629		CR7HIX	7544
Hurricane		50	1	2008-	14mm Thread Size / 12,7mm Thread Reach	0.6	BPR7HS	6422		BPR7HIX	5944
Hurricane 25 V2		50	1	-		0.8	BR7ES	5122		BR7EIX	6664
Hurricane 45 V1		50	1	-		0.8	BR7ES	5122		BR7EIX	6664
Hurricane 45 V2		50	1	-		0.8	BR7ES	5122		BR7EIX	6664
K1		50	1	2007-		0.6	BR6HSA	4461	Q210		
Matrix 25 V2		50	1	-		0.8	BR7ES	5122		BR7EIX	6664
Matrix 45 V1		50	1	-		0.8	BR7ES	5122		BR7EIX	6664
Matrix 45 V2		50	1	-		0.8	BR7ES	5122		BR7EIX	6664
Matrix Sport 50		50	1	2006-		0.6	BPR7HS	6422		BPR7HIX	5944
Pixel 50		50	1	2007-		0.6	BR6HSA	4461	Q210		
RY8 25		50	1	-		0.8	BR7ES	5122		BR7EIX	6664
RY8 45		50	1	-		0.8	BR7ES	5122		BR7EIX	6664
RY8 45 SP		50	1	-		0.8	BR7ES	5122		BR7EIX	6664
X-Ray 50 Enduro V1		50	1	-		0.8	BR8ES	5422	Q207	BR8EIX	5044
X-Ray 50 SM V1		50	1	-		0.8	BR8ES	5422	Q207	BR8EIX	5044
ARN 125		125	1	2008-		0.9	DPR7EA-9	5129	Q220	DPR7EIX-9	7803
ARN 125		125	1	2009-		0.7	CR6HSA	2983		CR6HIX	7274
F-act 125		125	1	-		0.6	CR7HSA	4549		CR7HIX	7544
Foc. 125		125	1	-		0.7	CR6HSA	2983		CR6HIX	7274
Hacker 125		125	1	2008-		0.9	DPR7EA-9	5129	Q220	DPR7EIX-9	7803
Matrix 125 V1		125	1	-		0.7	CR6HSA	2983		CR6HIX	7274
Matrix 125 V2		125	1	-		0.6	CR7HSA	4549		CR7HIX	7544
Outlook 125		125	1	2006-		0.6	D7EA	7912		DR7EIX	5686
Silver Blade 125		125	1	2007-		0.6	D7EA	7912		DR7EIX	5686
Speed 125		125	1	2006-		0.6	D7EA	7912		DR7EIX	5686
Speed 125		125	1	2008-		0.9	DPR7EA-9	5129	Q220	DPR7EIX-9	7803
Speed 125 V1		125	1	-		0.6	DR7ES	3123		DR7EIX	5686
Speed 125 V2		125	1	-		0.6	DR7ES	3123		DR7EIX	5686
Superlight 125		125	1	2006-		0.6	D7EA	7912		DR7EIX	5686
Superlight 125		125	1	2008-		0.9	DPR7EA-9	5129	Q220	DPR7EIX-9	7803
Superlight125 V1		125	1	-		0.6	DR7ES	3123		DR7EIX	5686
Superlight125 V2		125	1	-		0.6	DR7ES	3123		DR7EIX	5686
Speed 150		150	1	2006-		0.6	D7EA	7912		DR7EIX	5686
Superbike 150		150	1	-		0.6	D7EA	7912		DR7EIX	5686
Superlight 150		150	1	2006-		0.6	D7EA	7912		DR7EIX	5686
Cruiser 250		250	2	2006-		0.7	D7EA	7912		DR7EIX	5686

**KENOS**

125-12B		125	1	2007-		0.7	CR8E	4854	Q226	CR8EIX	4218
---------	--	-----	---	-------	--	-----	------	------	------	--------	------

\*Bitte Elektrodenabstand nach Angaben des Herstellers justieren

\*Please adjust the ground electrode gap

\*Veuillez vérifier l'écartement

\* Por favor, ajustar la distancia entre los electrodos

\*Regolare il gap

\*\* Iridium IX Spark Plug is the standard recommendation





Stock No.

Quick No.

Upgrade ↑

Stock No. ↑

**KINETIC**

Pride		50	1	-		0.6	BP7HS	5111		BPR7HIX	5944
Pride		80	1	-		0.6	BP7HS	5111		BPR7HIX	5944

**KREIDLER**

Florett 25		50	1	1996-		0.6	BPR7HS	6422		BPR7HIX	5944
Florett 50		50	1	1996-		0.6	BPR7HS	6422		BPR7HIX	5944
Florett RMC 25		50	1	2005-		0.6	BPR7HS	6422		BPR7HIX	5944
Florett RMC 50		50	1	2005-		0.6	BPR7HS	6422		BPR7HIX	5944
Flory 25		50	1	1996-		0.6	BPR7HS	6422		BPR7HIX	5944
Flory 50		50	1	1996-		0.6	BPR7HS	6422		BPR7HIX	5944
Flory 50		50	1	2005-		0.6	C7HSA	4629		CR7HIX	7544
Flory RC 25		50	1	2005-		0.6	BPR7HS	6422		BPR7HIX	5944
Flory RC 50		50	1	2005-		0.6	BPR7HS	6422		BPR7HIX	5944
MK 50		50	1	1996-		0.6	BPR7HS	6422		BPR7HIX	5944
RMC E 25		50	1	2007-		0.7	BPR7HS	6422		BPR7HIX	5944
RMC E 50		50	1	2007-		0.7	BPR7HS	6422		BPR7HIX	5944
RMC F 25		50	1	2007-		0.7	BPR7HS	6422		BPR7HIX	5944
RMC F 50		50	1	2007-		0.7	BPR7HS	6422		BPR7HIX	5944
Enduro 125		125	1	2000-		0.9	DP7EA-9	5629		DPR7EIX-9	7803
Enduro 125		125	1	2007-		0.7	CR8E	4854	Q226	CR8EIX	4218
Florett RMC 125		125	1	2005-		0.5	CR7HSA	4549		CR7HIX	7544
Mustang 125	SM	125	1	1997-1997		0.5	CR7HSA	4549		CR7HIX	7544
Mustang 125	CHP	125	1	1998-2000		0.7	DR8EA	7162		DR8EIX	6681
RMC F 125		125	1	2007-		0.6	CR7HSA	4549		CR7HIX	7544
Supermoto 125		125	1	2007-2009		0.7	CR8E	4854	Q226	CR8EIX	4218
Supermoto 125 DD		125	1	2004-2007		0.7	CR8E	4854	Q226	CR8EIX	4218
Supermoto 125 DD		125	1	2010-		0.7	CR8E	4854	Q226	CR8EIX	4218

**KSR MOTO**

Epico 50		50	1	2014-	3hp	0.7	BR8HSA	5539			
Onyx 50		50	1	2014-	4hp	0.7	BR8HSA	5539			
Sirion 50		50	1	2014-	4hp	0.7	BR8HSA	5539			
Code 125		125	1	2014-	11hp	0.7	DR8EA	7162		DR8EIX	6681
GRS 125		125	1	2015-	11hp	0.7	DR8EA	7162		DR8EIX	6681
TR 125		125	1	2014-	15hp	0.8	CR8E	4854	Q226	CR8EIX	4218
TW 125		125	1	2015-	11hp	0.7	DR8EA	7162		DR8EIX	6681
Vertigo 125		125	1	2014-	10hp	0.7	CR7HSA	4549		CR7HIX	7544
Worx 125		125	1	2014-	11hp	0.7	DR8EA	7162		DR8EIX	6681
Zion 125		125	1	2014-	12hp	0.7	CR8E	4854	Q226	CR8EIX	4218
Code 150		150	1	2015-	12hp	0.7	DR8EA	7162		DR8EIX	6681
Zion 150		150	1	2013-2015	13hp	0.7	CR8E	4854	Q226	CR8EIX	4218
Zion 150		150	1	2016-	12hp	0.7	CR8E	4854	Q226	CR8EIX	4218

**KTM**

50 Adventure		50	1	2002-		0.7	CR8HSA	2086		CR8HIX	7669
50 GXE		50	1	-		0.6	B9EG	3530			
50 GXR		50	1	-		*	BR9EIX**	3981			
50 Junior		50	1	2002-		0.7	CR8HSA	2086		CR8HIX	7669
50 Junior Adventure		50	1	2002-		0.6	BR8HS	4915	Q212	BR8HIX	7001
50 Mini Adventure		50	1	2001-2001		0.6	B8HS	5510		BR8HIX	7001
50 Mini Adventure		50	1	2002-		0.6	BR8HS	4915	Q212	BR8HIX	7001
50 Mini Adventure GS		50	1	2002-		0.6	BR8HS	4915	Q212	BR8HIX	7001
50 MLS		50	1	-		0.6	B6HS	4510		BR6HIX	3419
50 MMS		50	1	-		0.6	B7HS	5110		BR7HIX	7067

\*Bitte Elektrodenabstand nach Angaben des Herstellers justieren

\*Please adjust the ground electrode gap

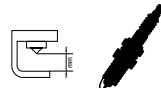
\*Veuillez vérifier l'écartement

\* Por favor, ajustar la distancia entre los electrodos

\*Regolare il gap

\* Iridium IX Spark Plug is the standard recommendation





Stock No.

Quick No.

Upgrade ↑

Stock No. ↑

**KTM**

50 RSL		50	1	-		0.6	B7HS	5110		BR7HIX	7067
50 Senior		50	1	2001-		0.7	CR8HSA	2086		CR8HIX	7669
50 Senior		50	1	2003-		0.6	BR8ECM	3035		BR8ECMIX	3520
50 Senior Adventure		50	1	2002-2002		0.6	BR8HS	4915	Q212	BR8HIX	7001
50 SX		50	1	2008-2009		0.7	CR8HSA	2086		CR8HIX	7669
50 SX		50	1	2010-		0.7	LR8B	6208			
50 SX Junior		50	1	2001-2001	Switzerland	0.6	B8HS	5510		BR8HIX	7001
50 SX Junior LC		50	1	2002-2002	Water fluid	0.6	BR10EG	3830			
50 SX Mini		50	1	2010-		0.7	LR8B	6208			
50 SX Pro Junior LC		50	1	2003-	Switzerland BETA Water fluid	0.6	BR8ECM	3035		BR8ECMIX	3520
50 SX Pro Senior LC		50	1	2003-	Water fluid	0.6	BR8ECM	3035		BR8ECMIX	3520
50 SXR Adventure		50	1	1998-2001		0.6	B8HS	5510		BR8HIX	7001
50 SXR Pro-Junior		50	1	1997-		0.6	B6HS	4510		BR6HIX	3419
50 SXR Pro Senior		50	1	1998-2001		0.6	B8HS	5510		BR8HIX	7001
50 SX Senior		50	1	2001-2001		0.6	B8HS	5510		BR8HIX	7001
50 SX Senior LC		50	1	2002-2002	Denmark Water fluid	0.6	BR10EG	3830			
50 XR Pro Junior		50	1	1998-2001		0.6	B8HS	5510		BR8HIX	7001
Bora 50		50	1	-		0.6	B6HS	4510		BR6HIX	3419
Chrono '50		50	1	-		0.5	BR7HS	4737		BR7HIX	7067
Crazy		50	1	-		0.6	BP5HS	4111			
Cross 50 AC		50	1	-	MINARELLI Air	0.6	BR8HS	4915	Q212	BR8HIX	7001
Foxi		50	1	-		0.6	B5HS	4210			
Foxi		50	1	-	Denmark	0.6	B7HS	5110		BR7HIX	7067
Go 50	BS4C20	50	1	-		0.5	BR7HS	4737		BR7HIX	7067
K 50		50	1	-		0.5	BR7HS	4737		BR7HIX	7067
K-Serie AC		50	1	-	MINARELLI Air	0.6	BR8HS	4915	Q212	BR8HIX	7001
K-Serie LC		50	1	-	MINARELLI Water fluid	0.6	BR8HS	4915	Q212	BR8HIX	7001
Postmofa		50	1	-		0.6	BP6ES	7811		BPR6EIX	6637
S5-E		50	1	1999-		0.6	B8HS	5510		BR8HIX	7001
S5-GS Pro Junior		50	1	1999-		0.6	B8HS	5510		BR8HIX	7001
S5-GS Pro Senior		50	1	1999-		0.6	B8HS	5510		BR8HIX	7001
SM 25		50	1	-		0.6	BP6HS	4511		BPR6HIX	4085
Squadra		50	1	-		0.6	BP6ES	7811		BPR6EIX	6637
SX 2		50	1	-		0.6	B8HS	5510		BR8HIX	7001
SX 3		50	1	-		0.6	B6HS	4510		BR6HIX	3419
60 SX		60	1	1998-		0.6	R7436-10	4900			
65 CR		65	1	2008-		0.6	BR8ECM	3035		BR8ECMIX	3520
65 SX		65	1	1998-2000		0.6	R7436-10	4900			
65 SX		65	1	2001-2002		0.6	BR10EG	3830			
65 SX		65	1	2003-2009	BETA	0.6	BR8ECM	3035		BR8ECMIX	3520
65 SX		65	1	2009-		0.6	LR8B	6208			
80 Chopper		80	1	-		0.6	B9HS	5810		BR9HIX	5687
80 Enduro		80	1	-		0.6	B10EG	3630			
80 IGS		80	1	-		0.6	BR10EIX**	6801			
80 IMX		80	1	-		0.6	BR10EIX**	6801			
85 IGS		85	1	-		0.6	BR10EIX**	6801			
85 IMX		85	1	-		0.6	BR10EIX**	6801			
85 SX		85	1	2008-		0.6	BR9ECMIX**	2707			
85 SX 17/14		85	1	2010-		0.8	BR9ECMIX**	2707			
85 SX 19/16		85	1	2010-		0.8	BR9ECMIX**	2707			
105 SX		105	1	2008-		*	BR9ECMIX**	2707			

\*Bitte Elektrodenabstand nach Angaben des Herstellers justieren

\*Please adjust the ground electrode gap

\*Veuillez vérifier l'écartement

\* Por favor, ajustar la distancia entre los electrodos

\*Regolare il gap

\*\* Iridium IX Spark Plug is the standard recommendation





Stock No.

Quick No.

Upgrade ↑

Stock No. ↑

**KTM**

125 Duke		125	1	1998-		0.7	BR9ES	5722		BR9EIX	3981
125 Duke		125	1	2013-		0.9	LKAR8AI-9	6706			
125 EGS		125	1	1998-		0.6	R6918B-8	4492			
125 EGS		125	1	1999-		0.6	R6918B-8	4492			
125 Enduro		125	1	-		0.6	B10EG	3630			
125 EXC		125	1	1997-1998		0.6	R6918B-8	4492			
125 EXC		125	1	1998-1999		0.6	R6918B-8	4492			
125 EXC		125	1	1999-2000		0.6	R6918B-8	4492			
125 EXC		125	1	2002-		*	BR9ECMIX**	2707			
125 EXC Six Days		125	1	2008-		0.6	BR9ECMIX**	2707			
125 EXC Six Days		125	1	2010-		0.6	BR9ECMIX**	2707			
125 EXE		125	1	1999-		0.6	BR8HS	4915	Q212	BR8HIX	7001
125 GS		125	1	-	14mm Thread Size / 12,7mm Thread Reach	0.6	B8HS	5510		BR8HIX	7001
125 LC 2		125	1	1996-2000		0.6	BR9ES	5722		BR9EIX	3981
125 LC 2		125	1	2000-		0.6	BR8HS	4915	Q212	BR8HIX	7001
125 MC		125	1	-	14mm Thread Size / 12,7mm Thread Reach	0.6	B8HS	5510		BR8HIX	7001
125 MC		125	1	-	14mm Thread Size / 19mm Thread Reach	0.6	B9EG	3530			
125 MC GP		125	1	-		0.6	B10HS	2399		BR10HIX	6692
125 RC1		125	1	2009-		0.6	BR9ECMIX**	2707			
125 SM		125	1	-		0.6	BR8HS	4915	Q212	BR8HIX	7001
125 Sting		125	1	1998-		0.7	BR8ES	5422	Q207	BR8EIX	5044
125 Supermoto		125	1	1999-		0.6	BR8HS	4915	Q212	BR8HIX	7001
125 SX		125	1	1996-1997		0.6	BR10EG	3830			
125 SX		125	1	1997-1998	Model 1998	0.6	R6918B-8	4492			
125 SX		125	1	1999-2000		0.6	R6918B-8	4492			
125 SX		125	1	2001-2001		0.7	BR8EIX**	5044			
125 SX		125	1	2003-		*	BR9ECMIX**	2707			
125 SX		125	1	2008-		0.6	BR9ECMIX**	2707			
125 TXC		125	1	-		0.6	BR10EIX**	6801			
125 XC-W		125	1	2017-		0.6	BR9ECMIX**	2707			
144 SX		144	1	2006-		0.6	BR9ECMIX**	2707			
144 SX		150	1	2010-		0.6	BR9ECMIX**	2707			
150 SX		150	1	2009-		0.6	BR9ECMIX**	2707			
150 XC		150	1	2010-2015		0.6	BR9ECMIX**	2707			
150 XC-W		150	1	2017-		0.6	BR9ECMIX**	2707			
175 GS		175	1	-		0.6	B8HS	5510		BR8HIX	7001
175 MC		175	1	-		0.6	B8HS	5510		BR8HIX	7001
175 XC		175	1	2010-		0.6	BR9ECMIX**	2707			
200 Duke		200		2011-		0.9	LKAR8A-9	4786			
200 Duke		200	1	2014-		0.9	LKAR8AI-9	6706			
200 EGS		200	1	1998-		0.6	BR8EG	3130			
200 EGS		200	1	1999-		0.6	BR8EG	3130			
200 EXC		200	1	1998-1999		0.6	BR8EG	3130			
200 EXC		200	1	1999-2001		0.6	BR9EG	3230			
200 EXC		200	1	2002-		0.6	BR8EG	3130			
200 EXC		200	1	2010-		0.6	BR8EG	3130			
200 MXC		200	1	1999-		0.6	BR8EG	3130			
200 SX		200	1	2007-		0.6	BR8EG	3130			
200 XC-W		200	1	2010-		0.6	BR8EG	3130			
250 EGS		250	1	1997-1997		0.8	BR8ECM	3035		BR8ECMIX	3520

\*Bitte Elektrodenabstand nach Angaben des Herstellers justieren

\*Please adjust the ground electrode gap

\*Veuillez vérifier l'écartement

\* Por favor, ajustar la distancia entre los electrodos

\*Regolare il gap

\* Iridium IX Spark Plug is the standard recommendation





Stock No.

Quick No.

Upgrade ↑

Stock No. ↑

**KTM**

250 EGS		250	1	1998-1998		0.8	BR8ECM	3035		BR8ECMIX	3520
250 EGS		250	1	1999-1999		0.8	BR8ECM	3035		BR8ECMIX	3520
250 Enduro		250	1	-		0.6	B10EG	3630			
250 EXC		250	1	1997-1998		0.8	BR8ECM	3035		BR8ECMIX	3520
250 EXC		250	1	2010-2017		0.8	BR7ES	5122		BR7EIX	6664
250 EXC Enduro Competition		250	1	2003-		0.6	BR7ES	5122		BR7EIX	6664
250 EXC E-Starter		250	1	2010-		0.8	BR7ES	5122		BR7EIX	6664
250 EXC-F		250	1	2007-		0.7	CR9EKB	2305			
250 EXC-F		250	1	2014-	10mm Thread Size / 26,5mm Thread Reach	1.0	LMAR9AI-10	93188			
250 EXC-F Six Days		250	1	2010-2013		0.7	CR9EKB	2305			
250 EXC Racing		250	1	1997-		0.6	BR8ECM	3035		BR8ECMIX	3520
250 EXC Racing		250	1	2002-2002		0.6	CR8EK	3478			
250 EXC Racing		250	1	2003-		0.6	DCPR8E	4179		DCPR8EIX	6546
250 EXC Racing GS		250	1	2003-		0.6	DCPR8E	4179		DCPR8EIX	6546
250 EXC Racing Six Days		250	1	2002-2002		0.6	CR8EK	3478			
250 EXC Six Days		250	1	1998-2001		0.8	BR8ECM	3035		BR8ECMIX	3520
250 EXC Six Days		250	1	2010-		0.8	BR7ES	5122		BR7EIX	6664
250 EXC TPI		250	1	2018-		1.3	ZGR7GI-13G	96760			
250 EXC TPI Six Days		250	1	2018-		1.3	ZGR7GI-13G	96760			
250 Freeride R		250	1	2013-2017		0.7	BR7ES	5122		BR7EIX	6664
250 GS		250	1	-	14mm Thread Size / 12,7mm Thread Reach	0.6	B9HS	5810		BR9HIX	5687
250 MC		250	1	-	14mm Thread Size / 19mm Thread Reach	0.6	B9EG	3530			
250 MC		250	1	-	14mm Thread Size / 12,7mm Thread Reach	0.6	B9HS	5810		BR9HIX	5687
250 MC GP		250	1	-	14mm Thread Size / 19mm Thread Reach	0.6	B9EG	3530			
250 MC GP		250	1	-	14mm Thread Size / 12,7mm Thread Reach	0.6	B9HS	5810		BR9HIX	5687
250 MXC		250	1	2004-		0.6	BR7ES	5122		BR7EIX	6664
250 SX		250	1	1996-1997		0.6	BR8EG	3130			
250 SX		250	1	1997-1998		0.8	BR8ECM	3035		BR8ECMIX	3520
250 SX		250	1	1998-1999		0.8	BR8ECM	3035		BR8ECMIX	3520
250 SX		250	1	1999-2004		0.8	BR8ECM	3035		BR8ECMIX	3520
250 SX		250	1	2003-		0.8	BR8ECM	3035		BR8ECMIX	3520
250 SX		250	1	2005-		0.7	CR9EKB	2305			
250 SX		250	1	2010-		0.8	BR8ECM	3035		BR8ECMIX	3520
250 SXC		250	1	1999-		0.8	BR8ECM	3035		BR8ECMIX	3520
250 SX-F		250	1	2006-2012		0.7	CR9EKB	2305			
250 SX-F		250	1	2013-		0.7	LMAR9AI-8	97225			
250 SX-F Factory Repl. Musquin Edition		250	1	2010-2012		0.7	CR9EKB	2305			
250 TXC		250	1	-		0.6	BR9EIX**	3981			
250 XC		250	1	2010-		0.8	BR7ES	5122		BR7EIX	6664
250 XCF-W		250	1	2010-		0.7	CR9EKB	2305			
250 XCF-W Champion's Edition		250	1	2010-		0.7	CR9EKB	2305			
250 XC-W		250	1	2010-		0.8	BR7ES	5122		BR7EIX	6664
300 EGS		300	1	1997-		0.8	BR8ECM	3035		BR8ECMIX	3520
300 EGS		300	1	1999-		0.8	BR8ECM	3035		BR8ECMIX	3520
300 EXC		300	1	1996-1996		0.6	BR8EIX**	5044			

\*Bitte Elektrodenabstand nach Angaben des Herstellers justieren

\*Please adjust the ground electrode gap

\*Veuillez vérifier l'écartement

\* Por favor, ajustar la distancia entre los electrodos

\*Regolare il gap

\*\* Iridium IX Spark Plug is the standard recommendation





Stock No.

Quick No.

Upgrade ↑

Stock No. ↑

**KTM**

300 EXC		300	1	1997-1998		0.8	BR8ECM	3035		BR8ECMIX	3520
300 EXC		300	1	2010-2017		0.8	BR7ES	5122		BR7EIX	6664
300 EXC Enduro Competition		300	1	2003-		0.6	BR7ES	5122		BR7EIX	6664
300 EXC Six Days		300	1	2010-2017		0.8	BR7ES	5122		BR7EIX	6664
300 EXC Sixt Days		300	1	1999-		0.8	BR8ECM	3035		BR8ECMIX	3520
300 EXC TPI		300	1	2018-		1.3	ZGR7GI-13G	96760			
300 EXC TPI Six Days		300	1	2018-		1.3	ZGR7GI-13G	96760			
300 LC		300	1	-		0.6	B10EG	3630			
300 MX		300	1	-1995		0.6	BR9EIX**	3981			
300 MXC		300	1	1997-2002		0.8	BR8ECM	3035		BR8ECMIX	3520
300 MXC		300	1	2003-		0.6	BR7ES	5122		BR7EIX	6664
300 SX		300	1	1999-		0.8	BR8ECM	3035		BR8ECMIX	3520
300 TVC		300	1	-		0.6	BR8ECM	3035		BR8ECMIX	3520
300 TXC		300	1	-1995		0.6	BR9EIX**	3981			
300 XC		300	1	2010-		0.8	BR7ES	5122		BR7EIX	6664
300 XC-W		300	1	2010-		0.8	BR7ES	5122		BR7EIX	6664
350 EXC-F		350	1	2011-2016		0.8	LMAR9AI-8	97225			
350 EXC-F Six Days		350	1	2011-2016		0.8	LMAR9AI-8	97225			
350 Freeride		350	1	2012-2017		1.0	LMAR9AI-10	93188			
350 GS		350	1	-		0.6	BR9EIX**	3981			
350 LC4		350	1	-1993		0.6	D8EA	2120	Q216	DR8EIX	6681
350 LC4 EGS		350	1	1993-		0.6	D8EA	2120	Q216	DR8EIX	6681
350 LC4 EXC		350	1	1993-		0.6	D8EA	2120	Q216	DR8EIX	6681
350 MX		350	1	-		0.8	BR9EIX**	3981			
350 MX		350	1	2010-		0.8	LMAR9AI-8	97225			
350 SX-F		350	1	2011-		0.8	LMAR9AI-8	97225			
350 XC-F		350	1	2011-		0.8	LMAR9AI-8	97225			
350 XCF-W		350	1	2011-		0.8	LMAR9AI-8	97225			
360 EGS		360	1	1997-		0.8	BR8ECM	3035		BR8ECMIX	3520
360 EXC		360	1	1997-		0.8	BR8ECM	3035		BR8ECMIX	3520
360 MXC		360	1	1997-		0.8	BR8ECM	3035		BR8ECMIX	3520
360 SX		360	1	1996-		0.6	BR8EG	3130			
360 SX		360	1	1997-		0.8	BR8ECM	3035		BR8ECMIX	3520
375 EXC Racing		375	1	2009-		0.9	LKAR8A-9	4786			
380 EGS		380	1	1998-		0.8	BR8ECM	3035		BR8ECMIX	3520
380 EGS		380	1	1999-		0.8	BR8ECM	3035		BR8ECMIX	3520
380 Enduro		380	1	1998-		0.8	BR8ECM	3035		BR8ECMIX	3520
380 EXC		380	1	1998-		0.8	BR8ECM	3035		BR8ECMIX	3520
380 SX		380	1	1999-		0.8	BR8ECM	3035		BR8ECMIX	3520
390 Duke		390	1	2013-		0.9	LKAR8AI-9	6706			
390 FE		390	1	2010-		0.9	LKAR8AI-9	6706			
400 EGS	LC4	400	1	1993-1999		0.6	D8EA	2120	Q216	DR8EIX	6681
400 EGS		400	1	1997-		0.6	D8EA	2120	Q216	DR8EIX	6681
400 EGS-E		400	1	1997-		0.6	DR8EA	7162		DR8EIX	6681
400 EGS-E	LC4	400	1	1997-1999		0.6	DR8EA	7162		DR8EIX	6681
400 EGS LC4		400	1	1993-		0.6	D8EA	2120	Q216	DR8EIX	6681
400 Enduro-E		400	1	1998-		0.6	D8EA	2120	Q216	DR8EIX	6681
400 EXC		400	1	2010-		0.9	LKAR8AI-9	6706			
400 EXC LC4		400	1	1993-		0.6	D8EA	2120	Q216	DR8EIX	6681
400 EXC Racing		400	1	1999-2002		0.7	CR8EK	3478			
400 EXC Racing		400	1	2002-		0.6	DCPR8E	4179		DCPR8EIX	6546
400 EXC Racing		400	1	2003-		0.6	DCPR8E	4179		DCPR8EIX	6546

\*Bitte Elektrodenabstand nach Angaben des Herstellers justieren

\*Please adjust the ground electrode gap

\*Veuillez vérifier l'écartement

\* Por favor, ajustar la distancia entre los electrodos

\*Regolare il gap

\* Iridium IX Spark Plug is the standard recommendation







Stock No.

Quick No.

Upgrade ↑

Stock No. ↑

**KTM**

400 GS		400	1	-		0.6	B9HS	5810		BR9HIX	5687
400 LC4		400	1	1998-		0.7	DR8EA	7162		DR8EIX	6681
400 LC4		400	1	1999-2002		0.7	DR8EA	7162		DR8EIX	6681
400 LC4 Competition		400	1	1998-		0.7	DR8EA	7162		DR8EIX	6681
400 LC4-E		400	1	1999-2002		0.7	DR8EA	7162		DR8EIX	6681
400 LC4-E		400	1	2002-		0.6	DCPR8E	4179		DCPR8EIX	6546
400 LC4- E Enduro		400	1	2001-		0.7	DR8EA	7162		DR8EIX	6681
400 LES	LC4	400	1	1997-1999		0.6	DR8EA	7162		DR8EIX	6681
400 LS-E		400	1	1997-2002		0.6	DR8EA	7162		DR8EIX	6681
400 MC		400	1	-		0.6	B9HS	5810		BR9HIX	5687
400 MC GP		400	1	-		0.6	B9HS	5810		BR9HIX	5687
400 SC	LC4	400	1	1993-1999		0.6	D8EA	2120	Q216	DR8EIX	6681
400 SC		400	1	1996-		0.6	D8EA	2120	Q216	DR8EIX	6681
400 SC		400	1	1998-		0.6	D8EA	2120	Q216	DR8EIX	6681
400 Super Competition		400	1	1997-		0.6	D8EA	2120	Q216	DR8EIX	6681
400 SX		400	1	1998-2002		0.6	D8EA	2120	Q216	DR8EIX	6681
400 SXC	LC4	400	1	1993-1999		0.6	D8EA	2120	Q216	DR8EIX	6681
400 SXC		400	1	1998-2002		0.6	D8EA	2120	Q216	DR8EIX	6681
400 SXC		400	1	1999-2002		0.6	D8EA	2120	Q216	DR8EIX	6681
400 SX Racing		400	1	1999-2002		0.7	CR8EK	3478			
400 SX Racing		400	1	2002-		0.6	DCPR8E	4179		DCPR8EIX	6546
400 SX Six Days		400	1	1999-2002		0.7	CR8EK	3478			
400 XC-W		400	1	2010-		0.9	LKAR8A-9	6706			
420		420	1	-		0.6	B9EG	3530			
440 EXC		440	1	1994-		0.6	BR9EIX**	3981			
440 SX		440	1	1994-		0.6	BR9EIX**	3981			
450 EXC		450	1	2008-2009		0.9	LKAR8A-9	4786			
450 EXC		450	1	2010-		0.9	LKAR8A-9	6706			
450 EXC-F		450	1	2017-		1.0	LMAR9A-10	93188			
450 EXC-R		450	1	2007-		0.9	LKAR8A-9	4786			
450 EXC Racing		450	1	2003-		0.6	DCPR8E	4179		DCPR8EIX	6546
450 EXC Racing GS		450	1	2003-		0.6	DCPR8E	4179		DCPR8EIX	6546
450 EXC Six Days		450	1	2010-		0.9	LKAR8A-9	6706			
450 FE		450	1	2010-		0.9	LKAR8A-9	6706			
450 FX		450	1	2010-		0.9	LKAR8A-9	6706			
450 MXC Desert Racing		450	1	2003-		0.6	DCPR8E	4179		DCPR8EIX	6546
450 MXC GS		450	1	2003-		0.6	DCPR8E	4179		DCPR8EIX	6546
450 Rallye Replica		450	1	2014-		0.8	CR9EKB	2305			
450 SMR		450	1	2004-2007	12mm Thread Size / 19mm Thread Reach	0.6	DCPR8E DCR8EIX**	4179 3606		DCPR8EIX	6546
450 SMR		450	1	2005-		0.7	CR9EKB	2305			
450 SMR		450	1	2008-	10mm Thread Size / 19mm Thread Reach	0.8	CR9EKB	2305			
450 SX-F		450	1	2007-2009		0.7	CR9EKB	2305			
450 SX-F		450	1	2010-		0.7	CR9EKB	2305			
450 SX-F		450	1	2013-		0.9	LKAR8A-9	6706			
450 SX-F Factory Repl. Nagl Edition		450	1	2010-		0.7	CR9EKB	2305			
450 SX Racing		450	1	2003-		0.6	DCPR8E	4179		DCPR8EIX	6546
450 XC-W		450	1	2010-		0.9	LKAR8A-9	6706			
450 XC-W Six Days		450	1	2010-		0.9	LKAR8A-9	6706			
505 SX-F		477	1	2007-		0.7	CR9EKB	2305			
495		495	1	-		0.6	B9EG	3530			
500 4 TGS		500	1	-		0.9	DP9EA-9	6629		DPR9EIX-9	5545

\*Bitte Elektrodenabstand nach Angaben des Herstellers justieren

\*Please adjust the ground electrode gap

\*Veuillez vérifier l'écartement

\* Por favor, ajustar la distancia entre los electrodos

\*Regolare il gap

\*\* Iridium IX Spark Plug is the standard recommendation





Stock No.

Quick No.

Upgrade ↑

Stock No. ↑

**KTM**

500 4 TXC		500	1	-		0.9	DP9EA-9	6629		DPR9EIX-9	5545
500 DXC		500	1	-		0.6	B9ES	2611	Q202	BR9EIX	3981
500 EXC		500	1	-		0.6	B9ES	2611	Q202	BR9EIX	3981
500 EXC-F		500	1	2017-		1.0	LMAR9AI-10	93188			
500 GS		500	1	-		0.6	B10EG D8EA	3630 2120	Q216	DR8EIX	6681
500 MC		500	1	-		0.6	B10EG D8EA	3630 2120	Q216	DR8EIX	6681
500 MX		500	1	-		0.6	BR9EIX**	3981			
500 SX		500	1	1993-		0.6	B10ES	7928		BR10EIX	6801
510 EXC Racing		510	1	2008-		0.9	LKAR8A-9	4786			
525 XC Desert Racing		510	1	2007-2007		0.6	DCPR8E	4179		DCPR8EIX	6546
520 EXC Racing		520	1	1999-2002		0.7	CR8EK	3478			
520 EXC Racing		520	1	2002-		0.6	DCPR8E	4179		DCPR8EIX	6546
520 EXC Six Days		520	1	1999-2002		0.7	CR8EK	3478			
520 SX Racing		520	1	1999-2002		0.7	CR8EK	3478			
520 SX Racing		520	1	2002-		0.6	DCPR8E	4179		DCPR8EIX	6546
525 EXC Racing		525	1	2003-		0.6	DCPR8E	4179		DCPR8EIX	6546
525 EXC Racing GS		525	1	2003-		0.6	DCPR8E	4179		DCPR8EIX	6546
525 MXC		525	1	2003-		0.6	DCPR8E	4179		DCPR8EIX	6546
525 MXC Desert Racing		525	1	2005-		0.6	DCPR8E	4179		DCPR8EIX	6546
525 SMR		525	1	2005-		0.6	DCPR8E	4179		DCPR8EIX	6546
525 SX Racing		525	1	2003-		0.6	DCPR8E	4179		DCPR8EIX	6546
520 EXC-R		530	1	2007-		0.7	LKAR8A-9	4786			
530 EXC		530	1	2008-2009		0.9	LKAR8A-9	4786			
530 EXC		530	1	2010-		0.9	LKAR8AI-9	6706			
530 EXC Six Days		530	1	2010-		0.9	LKAR8AI-9	6706			
530 XC-W		530	1	2010-		0.9	LKAR8AI-9	6706			
530 XC-W Six Days		530	1	2010-		0.9	LKAR8AI-9	6706			
540 DXC		540	1	-		0.6	BR10EIX**	6801			
540 MX		540	1	-		0.6	B9ES	2611	Q202	BR9EIX	3981
540 SXC		540	1	1998-		0.6	D8EA	2120	Q216	DR8EIX	6681
540 SXC		540	1	1999-		0.6	D8EA	2120	Q216	DR8EIX	6681
540 SXC		540	1	1999-	27hp	0.6	D8EA	2120	Q216	DR8EIX	6681
540 SXS Racing		540	1	2002-		0.7	CR8EK	3478			
560 SMR		565	1	2007-		0.6	DCPR8E	4179		DCPR8EIX	6546
570 FE		570	1	2010-		0.9	LKAR8AI-9	6706			
570 FS		570	1	2010-		0.9	LKAR8AI-9	6706			
600 4 TGS		600	1	-		0.9	DP9EA-9	6629		DPR9EIX-9	5545
600 4 TMX		600	1	-		0.9	DP9EA-9	6629		DPR9EIX-9	5545
600 4 TXC		600	1	-		0.9	DP9EA-9	6629		DPR9EIX-9	5545
600 Country		600	1	-		0.6	D8EA	2120	Q216	DR8EIX	6681
600 EGS LC4		600	1	1993-		0.6	D8EA	2120	Q216	DR8EIX	6681
600 Enduro		600	1	-		0.6	D8EA	2120	Q216	DR8EIX	6681
600 EXC LC4		600	1	1993-		0.6	D8EA	2120	Q216	DR8EIX	6681
600 MX		600	1	-		0.6	D8EA	2120	Q216	DR8EIX	6681
620 Duke		609	1	1994-		0.6	D8EA	2120	Q216	DR8EIX	6681
620 LC4 Super Competition		609	1	2001-2002		0.7	DR8EA	7162		DR8EIX	6681
620 SC Supermoto LC4		609	1	2001-2002		0.7	DR8EA	7162		DR8EIX	6681
612 EGS LC4		612	1	1993-		0.6	D8EA	2120	Q216	DR8EIX	6681
612 EXC LC4		612	1	1993-		0.6	D8EA	2120	Q216	DR8EIX	6681
619 LC4 Rallye		620	1	1997-		0.6	D8EA	2120	Q216	DR8EIX	6681

\* Bitte Elektrodenabstand nach Angaben des Herstellers justieren

\* Please adjust the ground electrode gap

\* Veuillez vérifier l'écartement

\* Por favor, ajustar la distancia entre los electrodos

\* Regolare il gap

\* Iridium IX Spark Plug is the standard recommendation





Stock No.

Quick No.

Upgrade ↑

Stock No. ↑

**KTM**

620 Duke-E		620	1	1997-		0.6	DR8EA	7162		DR8EIX	6681
620 EGS		620	1	1997-		0.6	D8EA	2120	Q216	DR8EIX	6681
620 EGS-E		620	1	1997-		0.6	DR8EA	7162		DR8EIX	6681
620 LC4 620 EGS		620	1	1994-		0.6	D8EA	2120	Q216	DR8EIX	6681
620 LC4 620 EGS-E		620	1	1999-		0.9	DPR8EA-9	4929	Q221	DPR8EIX-9	2202
620 LC4 620 EXC		620	1	1994-		0.6	D8EA	2120	Q216	DR8EIX	6681
620 LC4 620 LES		620	1	1999-		0.9	DPR8EA-9	4929	Q221	DPR8EIX-9	2202
620 LC4 620 SX		620	1	1994-		0.6	D8EA	2120	Q216	DR8EIX	6681
620 LC4 Rallye		620	1	1999-		0.9	DPR8EA-9	4929	Q221	DPR8EIX-9	2202
620 LC4 Super Competition		620	1	2000-2002		0.9	DPR8EA-9	4929	Q221	DPR8EIX-9	2202
620 LC4 Super Competition Supermoto		620	1	2002-		0.6	DCPR8E	4179		DCPR8EIX	6546
620 LS-E		620	1	1997-		0.6	DR8EA	7162		DR8EIX	6681
620 SC		620	1	1996-		0.6	D8EA	2120	Q216	DR8EIX	6681
620 SC		620	1	1998-		0.6	D8EA	2120	Q216	DR8EIX	6681
620 Super Competition		620	1	1997-2002		0.6	D8EA	2120	Q216	DR8EIX	6681
620 Supermoto Competition		620	1	1998-2000		0.6	D8EA	2120	Q216	DR8EIX	6681
620 SX		620	1	1996-		0.6	D8EA	2120	Q216	DR8EIX	6681
620 SX		620	1	1999-		0.6	D8EA	2120	Q216	DR8EIX	6681
625 SC		625	1	2002-		0.9	DPR8EA-9	4929	Q221	DPR8EIX-9	2202
625 SC Enduro		625	1	2000-		0.7	DCPR8E	4339		DCPR8EIX	6546
625 SC Super Moto		625	1	2000-		0.7	DCPR8E	4339		DCPR8EIX	6546
625 SMC		625	1	2005-		0.6	DCPR8E	4179		DCPR8EIX	6546
625 SXC Hard Enduro		625	1	2003-		0.6	DCPR8E	4179		DCPR8EIX	6546
625 SXC Super Moto		625	1	2002-		0.6	DCPR8E	4179		DCPR8EIX	6546
640 Adventure R		640	1	1998-2001		0.7	DR8EA	7162		DR8EIX	6681
640 Duke		640	1	1998-2001		0.7	DR8EA	7162		DR8EIX	6681
640 Duke		640	1	2005-		0.6	DCPR8E	4339		DCPR8EIX	6546
640 Duke 2		640	1	2002-2002		0.9	DPR8EA-9	4929	Q221	DPR8EIX-9	2202
640 Duke II LC4		640	1	2003-		0.6	DCPR8E	4179		DCPR8EIX	6546
640 Hard Enduro LC4		640	1	2003-		0.6	DCPR8E	4179		DCPR8EIX	6546
640 LC4		640	1	1998-1999		0.7	DR8EA	7162		DR8EIX	6681
640 LC4		640	1	1999-2001		0.7	DR8EA	7162		DR8EIX	6681
640 LC4		640	1	2002-2002		0.9	DPR8EA-9	4929	Q221	DPR8EIX-9	2202
640 LC4 Adventure		640	1	2000-2000		0.9	DPR8EA-9	4929	Q221	DPR8EIX-9	2202
640 LC4 Adventure		640	1	2001-2002		0.7	DPR8EA-9	4929	Q221	DPR8EIX-9	2202
640 LC4 Adventure		640	1	2002-2002		0.9	DPR8EA-9	4929	Q221	DPR8EIX-9	2202
640 LC4 Adventure R		640	1	1999-		0.6	D8EA	2120	Q216	DR8EIX	6681
640 LC4 Adventure R		640	1	2000-		0.9	DPR8EA-9	4929	Q221	DPR8EIX-9	2202
640 LC4 Adventure R		640	1	2002-		0.6	DCPR8E	4179		DCPR8EIX	6546
640 LC4-E		640	1	2000-2000		0.9	DPR8EA-9	4929	Q221	DPR8EIX-9	2202
640 LC4-E		640	1	2002-		0.6	DCPR8E	4179		DCPR8EIX	6546
640 LC4-E Enduro		640	1	2001-2001		0.7	DR8EA	7162		DR8EIX	6681
640 LC4-E Six Days		640	1	2002-2002		0.9	DPR8EA-9	4929	Q221	DPR8EIX-9	2202
640 LC4-E SM Prestige		640	1	2002-2002		0.9	DPR8EA-9	4929	Q221	DPR8EIX-9	2202
640 LC4-E Supermoto		640	1	1999-		0.6	D8EA	2120	Q216	DR8EIX	6681
640 LC4-E Supermoto		640	1	2000-2000		0.9	DPR8EA-9	4929	Q221	DPR8EIX-9	2202
640 LC4-E Supermoto		640	1	2001-2001		0.7	DR8EA	7162		DR8EIX	6681
640 LC4-E Supermoto		640	1	2002-2002		0.6	DCPR8E	4179		DCPR8EIX	6546
640 LC4 Prestige Supermoto		640	1	2003-		0.6	DCPR8E	4179		DCPR8EIX	6546
640 LC4 Rallye		640	1	1998-		0.6	D8EA	2120	Q216	DR8EIX	6681
640 LC4 SM		640	1	2005-		0.6	DCPR8E	4339		DCPR8EIX	6546

\*Bitte Elektrodenabstand nach Angaben des Herstellers justieren

\*Please adjust the ground electrode gap

\*Veuillez vérifier l'écartement

\* Por favor, ajustar la distancia entre los electrodos

\*Regolare il gap

\*\* Iridium IX Spark Plug is the standard recommendation





Stock No.

Quick No.

Upgrade ↑

Stock No. ↑

**KTM**

<b>640 LC4 Supermoto</b>		640	1	2002-2002		0.9	DPR8EA-9	4929	Q221	DPR8EIX-9	2202
<b>640 Supermoto Spezial Edition</b>		640	1	2003-		0.6	DCPR8E	4179		DCPR8EIX	6546
<b>Duke</b>		640	1	2005-		0.6	DCPR8E	4179		DCPR8EIX	6546
<b>Duke II</b>		640	1	1999-2000		0.7	DR8EA	7162		DR8EIX	6681
<b>Duke II</b>		640	1	2000-2002		0.9	DPR8EA-9	4929	Q221	DPR8EIX-9	2202
<b>Duke II</b>		640	1	2002-		0.6	DCPR8E	4179		DCPR8EIX	6546
<b>660 LC4</b>		660	1	2003-		0.6	DR9EA	3437	Q219	DR9EIX	4772
<b>660 LC4 Enduro</b>		660	1	2008-		0.9	LKAR8A-9	4786			
<b>660 LC4 Rallye</b>		660	1	1999-2001		0.6	DR8EA	7162		DR8EIX	6681
<b>660 LC4 Rallye Replica</b>		660	1	2008-		0.9	LKAR8A-9	4786			
<b>660 Rallye</b>		660	1	2000-2001		0.9	DPR8EA-9	4929	Q221	DPR8EIX-9	2202
<b>660 Rallye</b>		660	1	2002-2002		0.6	DR9EA	3437	Q219	DR9EIX	4772
<b>660 SMC</b>		660	1	2003-		0.7	DCPR8E	4339		DCPR8EIX	6546
<b>660 SMC</b>		660	1	2005-		0.6	DCPR8E	4179		DCPR8EIX	6546
<b>660 SMC</b>		660	1	2007-		0.9	LKAR8AI-9	6706			
<b>660 Supermoto Factory Replica</b>		660	1	2002-		0.6	DR9EA	3437	Q219	DR9EIX	4772
<b>690 LC4 Prestige</b>		660	1	2007-		0.9	LKAR8AI-9	6706			
<b>690 LC4 Supermoto</b>		660	1	2007-		0.9	LKAR8AI-9	6706			
<b>690 Duke</b>		690	1	2010-2011		0.9	LKAR8AI-9	6706			
<b>690 Duke</b>		690	1	2012-2015	Twin Spark	0.9	LKAR8BI9 LMAR7A-9	1553 4908			
<b>690 Duke</b>		690	1	2016-	Twin Spark	1.0	LKAR9BI-10 LMAR7Df-10	95371 96956			
<b>690 Duke III LC4</b>		690	1	2008-2009		0.9	LKAR8A-9	4786			
<b>690 Duke R</b>		690	1	2010-2011		0.9	LKAR8AI-9	6706			
<b>690 Duke R</b>		690	1	2012-2015	Twin Spark	0.9	LKAR8BI9 LMAR7A-9	1553 4908			
<b>690 Duke R</b>		690	1	2016-2016	Twin Spark	1.0	LKAR9BI-10 LMAR7Df-10	95371 96956			
<b>690 Enduro</b>		690	1	2009-2013		0.9	LKAR8AI-9	6706			
<b>690 Enduro R</b>		690	1	2008-		0.9	LKAR8AI-9	6706			
<b>690 Enduro R</b>		690	1	2010-		0.9	LKAR8AI-9	6706			
<b>690 Enduro R</b>		690	1	2014-	Twin Spark 67hp	0.8	LKAR8BI9 LMAR7A-9	1553 4908			
<b>690 EXC</b>		690	1	2007-2011		0.9	LKAR8A-9	4786			
<b>690 LC4 Supermoto</b>		690	1	2007-		0.9	LKAR8AI-9	6706			
<b>690 SM</b>		690	1	-		0.9	LKAR8AI-9	6706			
<b>690 SM</b>		690	1	2007-		0.9	LKAR8AI-9	6706			
<b>690 SMC</b>		690	1	2010-		0.9	LKAR8AI-9	6706			
<b>690 SMC R Supermoto</b>		690	1	2012-2013	67hp	0.9	LKAR8AI-9	6706			
<b>690 SMC R Supermoto</b>		690	1	2014-	Twin Spark 67hp	0.9	LKAR9BI9 LMAR7A-9	6205 4908			
<b>790 Duke</b>		790	2	2018-	105hp	1.0	LMAR9AI-10	93188			
<b>950 Adventure</b>		950	2	2003-2004		0.7	CR8EK	3478			
<b>950 Adventure</b>		950	2	2004-		0.7	CR8EK	3478			
<b>950 Adventure S</b>		950	2	2003-2004		0.7	CR8EK	3478			
<b>950 Adventure S</b>		950	2	2004-		0.7	CR8EK	3478			
<b>950 Enduro</b>		950	2	2006-		0.7	CR8EK	3478			
<b>950 LC8 EFI V2</b>		950	2	2009-		0.8	KR8DI	4742			
<b>950 LC8 Rally</b>		950	2	2003-2007		0.7	CR8EK	3478			
<b>950 Super Enduro R</b>		950	2	-		0.7	CR8EK	3478			
<b>950 Super Enduro R LC8</b>		950	2	2006-		0.7	CR8EK	3478			
<b>950 Supermoto</b>		950	2	2005-2006		0.7	CR8EK	3478			
<b>950 Supermoto LC8</b>		950	2	2005-		0.7	CR8EK	3478			

\* Bitte Elektrodenabstand nach Angaben des Herstellers justieren

\* Please adjust the ground electrode gap

\* Veuillez vérifier l'écartement

\* Por favor, ajustar la distancia entre los electrodos

\* Regolare il gap

\* Iridium IX Spark Plug is the standard recommendation





Stock No.

Quick No.

Upgrade ↑

Stock No. ↑

**KTM**

950 Supermoto R		950	2	2007-		0.7	CR8EK	3478			
990 Super Duke	LC8	990	2	2010-		0.8	KR8DI	4742			
990 Super Duke R	LC8	990	2	-		0.6	DCPR8E	4339		DCPR8EIX	6546
990 Super Duke R	LC8	990	2	2010-		0.9	LKAR8AI-9	6706			
990 Supermoto R	LC8	990	2	2010-		0.8	KR8DI	4742			
990 Supermoto T	LC8	990	2	2010-		0.8	KR8DI	4742			
990 Adventure	LC8	1000	2	2006-2009		0.6	DCPR8E	4179		DCPR8EIX	6546
990 Adventure	LC8	1000	2	2008-		0.9	LKAR8BI9	1553			
990 Adventure R	LC8	1000	2	2008-		0.9	LKAR8BI9	1553			
990 Adventure S	LC8	1000	2	2006-2009		0.6	DCPR8E	4179		DCPR8EIX	6546
990 Duke	LC8	1000	2	2004-2009		0.6	DCPR8E	4179		DCPR8EIX	6546
990 LC8 Adventure	LC8	1000	2	2006-2008		0.9	DCPR8E	4339		DCPR8EIX	6546
990 LC8 Adventure	LC8	1000	2	2008-		0.9	LKAR8BI9	1553			
990 SM-R	LC8	1000	2	2009-2009		0.8	KR8DI	4742			
990 SM-R	LC8	1000	2	2012-		0.9	LKAR8BI9	1553			
990 SM-T	LC8	1000	2	2009-2010		0.8	KR8DI	4742			
990 SM-T ABS	LC8	1000	2	2011-2013		0.9	LKAR8BI9	1553			
990 Super Duke	LC8	1000	2	2005-2006		0.6	DCPR8E	4179		DCPR8EIX	6546
990 Super Duke	LC8	1000	2	2007-2009		0.8	KR8DI	4742			
990 Superduke R LC8	LC8	1000	2	2008-		0.9	LKAR8AI-9	6706			
990 Supermoto LC8	LC8	1000	2	2008-		0.8	KR8DI	4742			
990 Supermoto R	LC8	1000	2	2009-		0.8	KR8DI	4742			
1050 Adventure		1050	2	2015-2016	Twin Spark 95hp	1.0	LKAR9BI-10 LMAR7DI-10	95371 96956			
1090 Adventure		1090	2	2017-	Twin Spark 125hp	1.0	LKAR9BI-10 LMAR7DI-10	95371 96956			
1090 Adventure L		1090	2	2017-	Twin Spark 125hp	1.0	LKAR9BI-10 LMAR7DI-10	95371 96956			
1090 Adventure R		1090	2	2017-	Twin Spark 125hp	1.0	LKAR9BI-10 LMAR7DI-10	95371 96956			
1190	RC8	1190	2	2010-	Twin Spark	0.9	LKAR9BI9 LMAR7A-9	6205 4908			
1190 Adventure		1190	2	2013-2016	Twin Spark 150hp	0.9	LKAR9BI9 LMAR7A-9	6205 4908			
1190 Adventure R		1190	2	2013-2016	Twin Spark 150hp	0.9	LKAR9BI9 LMAR7A-9	6205 4908			
1190 R	RC8R	1190	2	2011-	Twin Spark	0.9	LKAR9BI9 LMAR7A-9	6205 4908			
1190 R Akrapovic Edition	RC8	1190	2	2010-	Twin Spark	0.9	LKAR9BI9 LMAR7A-9	6205 4908			
1190 RC8	RC8	1190	2	2008-		0.9	LKAR9BI9	6205			
1190 RC8 R	RC8	1190	2	2010-	Twin Spark	0.9	LKAR9BI9 LMAR7A-9	6205 4908			
1190 R Red Bull	RC8	1190	2	2010-	Twin Spark	0.9	LKAR9BI9 LMAR7A-9	6205 4908			
1290 Super Adventure		1290	2	2015-2016	Twin Spark 160hp	1.0	LKAR9BI-10 LMAR7DI-10	95371 96956			
1290 Super Adventure R		1290	2	2017-	Twin Spark 160hp	1.0	LKAR9BI-10 LMAR7DI-10	95371 96956			
1290 Super Adventure S		1290	2	2017-	Twin Spark 160hp	1.0	LKAR9BI-10 LMAR7DI-10	95371 96956			
1290 Super Adventure T		1290	2	2017-2017	Twin Spark 160hp	1.0	LKAR9BI-10 LMAR7DI-10	95371 96956			
1290 Super Duke R		1290	2	2014-2016	Twin Spark 180hp	0.9	LKAR9BI9 LMAR7A-9	6205 4908			
Super Duke 1290 GT		1290	2	2016-	Twin Spark 173hp	1.0	LKAR9BI-10 LMAR7DI-10	95371 96956			
Super Duke 1290 R Special Edition		1290	2	2016-2016	Twin Spark	0.9	LKAR9BI9 LMAR7A-9	6205 4908			

**KUANG YANG**

GS7E - Movie		50	1	-		0.6	BP6HSA	1046		BPR6HIX	4085
KA 50		50	1	-		0.6	BP6HSA	1046		BPR6HIX	4085

\*Bitte Elektrodenabstand nach Angaben des Herstellers justieren

\*Please adjust the ground electrode gap

\*Veuillez vérifier l'écartement

\* Por favor, ajustar la distancia entre los electrodos

\*Regolare il gap

\*\* Iridium IX Spark Plug is the standard recommendation





Stock No.

Quick No.

Upgrade ↑

Stock No. ↑

**KUANG YANG**

KA 50G		50	1	-		0.6	BP6HSA	1046		BPR6HIX	4085
--------	--	----	---	---	--	-----	--------	------	--	---------	------

**KYMGCO**

Agility 50 4T		50	1	2005-		0.5	CR7HSA	4549		CR7HIX	7544
Agility 50 MMC 4T		50	1	2005-		0.5	CR7HSA	4549		CR7HIX	7544
Agility 50 R10		50	1	-2009		0.7	CR7HSA	4549		CR7HIX	7544
Agility 50 R10		50	1	2010-		0.6	CR7HSA	4549		CR7HIX	7544
Agility 50 R12		50	1	-2009		0.7	CR7HSA	4549		CR7HIX	7544
Agility 50 R12		50	1	2010-		0.7	C7HSA	4629		CR7HIX	7544
Agility 50 R16		50	1	-2009		0.7	CR7HSA	4549		CR7HIX	7544
Agility 50 R16		50	1	2010-		0.7	CR7HSA	4549		CR7HIX	7544
Agility 50 RS		50	1	-		0.7	CR7HSA	4549		CR7HIX	7544
Agility Basic 50		50	1	-		0.6	CR7HSA	4549		CR7HIX	7544
Agility City 50		50	1	-		0.6	CR7HSA	4549		CR7HIX	7544
Agility One 50		50	1	-		0.6	CR7HSA	4549		CR7HIX	7544
Bet & Win 50LC		50	1	-	Water fluid	0.7	BR8HSA	5539			
Calypso 50		50	1	1997-		0.6	BR8HS	4915	Q212	BR8HIX	7001
Cobra Cross		50	1	1997-		0.6	BR8HSA	5539			
Cobra Racer		50	1	1997-		0.6	BR8HSA	5539			
CSX 50		50	1	-		0.6	BR8HSA	5539			
Curio		50	1	-		0.6	BR8HSA	5539			
CX 50		50	1	-		0.6	BR8HSA	5539			
CX 50 Super		50	1	-		0.6	BR8HSA	5539			
Dink 50 2T		50	1	1999-2006		0.6	BR8HSA	5539			
Dink 50 4T		50	1	2006-		0.7	CR7HSA	4549		CR7HIX	7544
Dink 50 LC		50	1	-	Water fluid	0.7	BR8HSA	5539			
DJ 50		50	1	-		0.6	BR8HSA	5539			
DJ 50		50	1	1993-	Constr.Code W / X / Y	0.6	BR8HSA	5539			
Fever II ZX 50		50	1	-		0.6	BR8HSA	5539			
Fever ZX 50		50	1	-		0.6	BR8HSA	5539			
Filly 50		50	1	1998-		0.7	C7HSA	4629		CR7HIX	7544
Filly 50		50	1	1998-	UK	0.7	CR7HSA	4549		CR7HIX	7544
Filly 50 LX		50	1	1999-		0.7	CR7HSA	4549		CR7HIX	7544
Flexer		50	1	2001-		0.6	B6HS	4510		BR6HIX	3419
Grand Dink 50 2T		50	1	2005-		0.6	BR8HSA	5539			
Grand Dink 50s		50	1	-		0.6	BR8HSA	5539			
Heroism 50		50	1	-		0.6	BR8HSA	5539			
K 12 50		50	1	-		0.6	BR8HSA	5539			
KB 50		50	1	-		0.6	BR8HSA	5539			
Like 50 2T		50	1	2009-		0.6	BR8HSA	5539			
Like 50 4T		50	1	2009-		0.6	CR7HSA	4549		CR7HIX	7544
Nexxon 50		50	1	-		0.6	CR7HSA	4549		CR7HIX	7544
People 50		50	1	1999-		0.7	BR8HSA	5539			
People S 50 2T		50	1	1999-		0.7	BR8HSA	5539			
People S 50 4T		50	1	2006-		0.6	CR7HSA	4549		CR7HIX	7544
Quadro		50	1	2001-		0.6	B6HS	4510		BR6HIX	3419
Renouvo 2T		50	1	-		0.7	BR8HSA	5539			
Scout		50	1	1997-		0.6	BR8HSA	5539			
Sento 50		50	1	2009-		0.6	CR7HSA	4549		CR7HIX	7544
Sniper 50		50	1	1993-		0.6	BR8HSA	5539			
Snuper 50 DD		50	1	-		0.6	BR8HSA	5539			
Spacer 50		50	1	1999-		0.6	BR8HSA	5539			

\*Bitte Elektrodenabstand nach Angaben des Herstellers justieren

\*Please adjust the ground electrode gap

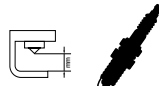
\*Veuillez vérifier l'écartement

\* Por favor, ajustar la distancia entre los electrodos

\*Regolare il gap

\* Iridium IX Spark Plug is the standard recommendation





Stock No.

Quick No.

Upgrade ↑

Stock No. ↑

**KYMCO**

Super 8 50 2T		50	1	2009-		0.6	BR8HSA	5539			
Super 8 50 4T		50	1	2007-2012		0.5	CR7HSA	4549		CR7HIX	7544
Super 9 AC		50	1	2001-		0.6	BR8HSA	5539			
Super 9 AC 50 Sports		50	1	2001-		0.6	BR8HSA	5539			
Super 9 AC 50 Sports		50	1	2003-		0.6	BR8HSA	5539			
Super 9 LC		50	1	2001-		0.6	BR8HSA	5539			
Tomos Classic		50	1	2001-		0.6	B6HS	4510		BR6HIX	3419
Tomos TX 50		50	1	2001-		0.6	B6HS	4510		BR6HIX	3419
Top Boy 50		50	1	2001-		0.6	BR8HSA	5539			
Vitality 50 2T		50	1	2005-		0.6	BR8HSA	5539			
Vitality 50 4T		50	1	2005-		0.5	CR7HSA	4549		CR7HIX	7544
Vitality 50 Cross		50	1	-		0.6	BR8HSA	5539			
Vitality 50 Sports		50	1	-		0.6	BR8HSA	5539			
Yager 50 2T		50	1	2001-		0.6	BR8HSA	5539			
Yager GT 50		50	1	-		0.6	CR7HSA	4549		CR7HIX	7544
YUP 50		50	1	2000-		0.6	BR8HSA	5539			
ZX 50		50	1	-		0.6	BR8HSA	5539			
Cobra Racer 100		100	1	1999-		0.6	BR8HSA	5539			
Agility 125		125	1	2005-		*	CR7HSA	4549		CR7HIX	7544
Agility 125 R16		125	1	2005-		*	CR7HSA	4549		CR7HIX	7544
Agility 125 RS		125	1	2005-		*	CR7HSA	4549		CR7HIX	7544
Calypso 125		125	1	1997-		0.6	C7HSA	4629		CR7HIX	7544
CK 125		125	1	2004-		0.7	DR8EA	7162		DR8EIX	6681
CK 125		125	1	2005-		0.6	DR8EA	7162		DR8EIX	6681
Cruiser 125		125	1	-		0.7	CR8E	4854	Q226	CR8EIX	4218
Dink 125 4T		125	1	1999-		0.9	DPR7EA-9	5129	Q220	DPR7EIX-9	7803
Dink 125 DD		125	1	1999-		0.9	DPR7EA-9	5129	Q220	DPR7EIX-9	7803
Dink Street 125		125	1	-		0.8	CR7E	4578	Q225	CR7EIX	7385
Downtown 125 i		125	1	2009-		0.7	CR7E	4578	Q225	CR7EIX	7385
Ego 125		125	1	2000-		0.9	DPR7EA-9	5129	Q220	DPR7EIX-9	7803
G-Dink 125		125	1	2012-		0.9	DPR6EA-9	5531			
Grand Dink		125	1	2001-		0.9	DPR7EA-9	5129	Q220	DPR7EIX-9	7803
Grand Dink 125 4T		125	1	1999-		0.9	DPR7EA-9	5129	Q220	DPR7EIX-9	7803
Grand Dink 125 S		125	1	-		0.9	DPR7EA-9	5129	Q220	DPR7EIX-9	7803
Heroism 125		125	1	-		0.7	C7HSA	4629		CR7HIX	7544
Hipster 125		125	1	-	4 valves	0.7	CR8E	4854	Q226	CR8EIX	4218
Hipster 125		125	1	-		0.7	DR8EA	7162		DR8EIX	6681
Hipster 125		125	1	2001-	2 valves	0.7	DR8EA	7162		DR8EIX	6681
Hipster 125		125	1	2001-	4stroke	0.6	CR8E	4854	Q226	CR8EIX	4218
K-Pipe 125 E3		125	1	2012-		0.6	CR7HSA	4549		CR7HIX	7544
K-XCT 125i		125	1	2013-		0.7	CR7E	4578	Q225	CR7EIX	7385
Like 125		125	1	2009-		0.6	CR7HSA	4549		CR7HIX	7544
Like LX 125 E3		125	1	2012-		0.6	CR7HSA	4549		CR7HIX	7544
Météorit		125	1	-		0.7	DR8EA	7162		DR8EIX	6681
Movie 125 4T		125	1	-		0.6	C7HSA	4629		CR7HIX	7544
Movie 125 XL		125	1	2002-		0.7	CR7HSA	4549		CR7HIX	7544
Off Road	Stryker	125	1	1999-		0.7	DR8EA	7162		DR8EIX	6681
On Road	Stryker	125	1	1999-		0.7	DR8EA	7162		DR8EIX	6681
People 125		125	1	2005-		0.6	C7HSA	4629		CR7HIX	7544
People 125 E3		125	1	2008-		*	CR7HSA	4549		CR7HIX	7544
People 125 GTi		125	1	2010-		0.6	CR7HSA	4549		CR7HIX	7544
People One 125i		125	1	2013-		0.7	CR7E	4578	Q225	CR7EIX	7385

\* Bitte Elektrodenabstand nach Angaben des Herstellers justieren

\* Please adjust the ground electrode gap

\* Veuillez vérifier l'écartement

\* Por favor, ajustar la distancia entre los electrodos

\* Regolare il gap

\*\* Iridium IX Spark Plug is the standard recommendation





Stock No.

Quick No.

Upgrade ↑

Stock No. ↑

**KYMCO**

People S 125 DD		125	1	2008-		*	CR7HSA	4549		CR7HIX	7544
People S 125i		125	1	2005-		0.6	CR7HSA	4549		CR7HIX	7544
Pulsar 125		125	1	2001-		0.7	DR8EA	7162		DR8EIX	6681
Pulsar 125 4T		125	1	2001-		0.7	DR8EA	7162		DR8EIX	6681
Quannon 125		125	1	2007-		0.7	CR8E	4854	Q226	CR8EIX	4218
Quannon 125 Naked		125	1	2010-		0.7	CR8E	4854	Q226	CR8EIX	4218
Sector 125		125	1	1998-		0.7	DR8EA	7162		DR8EIX	6681
Spacer 125		125	1	-		0.9	DPR7EA-9	5129	Q220	DPR7EIX-9	7803
Spacer 125		125	1	1997-		0.6	DPR7EA-9	5129	Q220	DPR7EIX-9	7803
Stryker 125		125	1	1999-		0.7	DR8EA	7162		DR8EIX	6681
Stryker 125 II		125	1	2002-		0.7	DR8EA	7162		DR8EIX	6681
Super 8 125		125	1	-	10mm Thread Size / 12,7mm Thread Reach	0.7	CR7HSA	4549		CR7HIX	7544
Super 8 125		125	1	2007-	12mm Thread Size / 19mm Thread Reach	0.9	DPR7EA-9	5129	Q220	DPR7EIX-9	7803
Super 8 125		125	1	2007-2008		0.7	CR7HSA	4549		CR7HIX	7544
Super 8 125		125	1	2008-2012		0.7	CR7HSA	4549		CR7HIX	7544
Vivio		125	1	1999-		0.7	CR7HSA	4549		CR7HIX	7544
Yager 125 4T		125	1	2001-		0.9	DPR7EA-9	5129	Q220	DPR7EIX-9	7803
Yager GT 125		125	1	2007-		0.9	DPR7EA-9	5129	Q220	DPR7EIX-9	7803
Zing 125		125	1	1997-1998		0.6	DR8EA	7162		DR8EIX	6681
Zing 125		125	1	1999-		0.7	DR8EA	7162		DR8EIX	6681
Zing II		125	1	2008-		0.7	CR8E	4854	Q226	CR8EIX	4218
Agility 150 R16		150	1	2008-		0.7	CR7HSA	4549		CR7HIX	7544
Heroism 150		150	1	1995-		0.7	C7HSA	4629		CR7HIX	7544
People 150		150	1	1999-		0.9	DPR7EA-9	5129	Q220	DPR7EIX-9	7803
Dink 200 i DD		200	1	2008-		0.9	DPR6EA-9	5531			
Downtown 200i		200	1	2009-		0.7	CR7E	4578	Q225	CR7EIX	7385
Like 200 i		200	1	2009-		0.6	CR7HSA	4549		CR7HIX	7544
People GT 200i		200	1	2010-		0.7	CR7E	4578	Q225	CR7EIX	7385
People S 200 DD		200	1	2007-		0.7	CR7HSA	4549		CR7HIX	7544
People S 200i		200	1	2007-		0.7	CR7HSA	4549		CR7HIX	7544
Yager GT 200i		200	1	2007-		0.9	DPR6EA-9	5531			
Dink 250 4T		250	1	1999-		0.9	DPR7EA-9	5129	Q220	DPR7EIX-9	7803
Ego 250		250	2	2000-		0.9	DPR7EA-9	5129	Q220	DPR7EIX-9	7803
Grand Dink 250		250	1	2001-		0.9	DPR7EA-9	5129	Q220	DPR7EIX-9	7803
Grand Dink 250 4T		250	1	1999-		0.9	DPR7EA-9	5129	Q220	DPR7EIX-9	7803
People 250		250	2	2003-		0.9	DPR7EA-9	5129	Q220	DPR7EIX-9	7803
People 250		250	1	2005-		0.9	DPR7EA-9	5129	Q220	DPR7EIX-9	7803
People S 250i	D21000	250	1	2007-	21hp	0.9	DPR6EA-9	5531			
Venox 250 4T		250	2	2001-		0.9	DPR7EA-9	5129	Q220	DPR7EIX-9	7803
Venox 250 4T		250	2	2002-		0.8	CR8E	4854	Q226	CR8EIX	4218
Xciting 250		250	1	2005-		0.9	DPR7EA-9	5129	Q220	DPR7EIX-9	7803
Xciting 250i		250	1	2007-		0.9	DPR6EA-9	5531			
Dink Street		300	1	-		0.7	CR7E	4578	Q225	CR7EIX	7385
Downtown 300i		300	1	2009-		0.7	CR7E	4578	Q225	CR7EIX	7385
Grand Dink 300i		300	1	2012-		0.9	DPR6EA-9	5531			
K-XCT 300i		300	1	2012-		0.7	CR7E	4578	Q225	CR7EIX	7385
People GT 300i		300	1	2010-		0.7	CR7E	4578	Q225	CR7EIX	7385
People S 300i		300	1	2007-		0.9	DPR6EA-9	5531			
People S 300i		300	1	2008-		0.9	DPR6EA-9	5531			
Xciting 300i R		300	1	2009-		0.9	DPR6EA-9	5531			

\* Bitte Elektrodenabstand nach Angaben des Herstellers justieren

\* Please adjust the ground electrode gap

\* Veuillez vérifier l'écartement

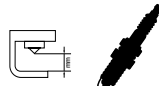
\* Por favor, ajustar la distancia entre los electrodos

\* Regolare il gap

\* Iridium IX Spark Plug is the standard recommendation







Stock No.

Quick No.

Upgrade ↑

Stock No. ↑

**KYMCO**

<b>Xciting 300 R</b>		300	1	-		0.9	CPR6EA-9	6899		CPR6EAX-9S	93921
<b>Xciting 400i</b>		400	1	2013-		0.7	CR7E	4578	Q225	CR7EIX	7385
<b>Xciting 500</b>		500	1	2005-		0.7	CR8E	4854	Q226	CR8EIX	4218
<b>Xciting 500i</b>		500	1	2007-		0.7	CR7E	4578	Q225	CR7EIX	7385
<b>Xciting 500i ABS</b>		500	1	2007-		0.7	CR7E	4578	Q225	CR7EIX	7385
<b>Xciting 500i R</b>		500	1	2007-		0.7	CR7E	4578	Q225	CR7EIX	7385
<b>Xciting 500i R</b>		500	1	2009-		0.7	CR7E	4578	Q225	CR7EIX	7385
<b>My Road 700i</b>		700	1	2012-		0.7	CR8E	4854	Q226	CR8EIX	4218

**K-ZWO**

<b>Cat 50</b>		50	1	1997-		0.6	BR7HS	4737		BR7HIX	7067
<b>K-Zwo VIVA 50/25</b>		50	1	-		0.5	BR7HS	4737		BR7HIX	7067
<b>Motron Sting</b>		50	1	-		0.5	BR7HS	4737		BR7HIX	7067
<b>Motron Thunder</b>		50	1	-		0.5	BR7HS	4737		BR7HIX	7067
<b>Siamoto Falkon</b>		50	1	-		0.6	C7HSA	4629		CR7HIX	7544
<b>Siamoto Scross</b>		50	1	-		0.6	C7HSA	4629		CR7HIX	7544
<b>K-Zwo Apache</b>		125	1	-		0.6	D8EA	2120	Q216	DR8EIX	6681
<b>K-Zwo Royal 125</b>		125	1	1996-		0.6	C7HSA	4629		CR7HIX	7544

**LAMBRETTA**

<b>125 SX</b>		125	1	-		0.5	B7ES	1111		BR7EIX	6664
<b>SX</b>		200	1	-		0.5	B7ES	1111		BR7EIX	6664

**LAVERDA**

<b>650 American Eagle</b>		650	2	1994-1998		0.7	B9ES	2611	Q202	BR9EIX	3981
<b>650 Formula</b>		650	2	1996-		0.6	DCPR8E	4339		DCPR8EIX	6546
<b>650 Ghost</b>		650	2	1996-1998		0.6	DCPR9E	2641		DCPR9EIX	2316
<b>650 Ghost Legend</b>		650	2	1996-1998		0.6	DCPR9E	2641		DCPR9EIX	2316
<b>650 Ghost Strike</b>		650	2	1996-1998		0.6	DCPR9E	2641		DCPR9EIX	2316
<b>650 GT</b>		650	2	1994-1998		0.7	B9ES	2611	Q202	BR9EIX	3981
<b>650 GTL</b>		650	2	1994-1998		0.7	B9ES	2611	Q202	BR9EIX	3981
<b>650 Sport</b>		650	2	1994-1995		0.6	DCPR9E	2641		DCPR9EIX	2316
<b>668</b>	ZLV650	668	2	1996-1998		0.6	DCPR9E	2641		DCPR9EIX	2316
<b>750 Black Strike</b>		750	2	2000-		0.6	DCPR8E	4339		DCPR8EIX	6546
<b>750 Diamant</b>		750	2	1997-		0.6	DCPR8E	4339		DCPR8EIX	6546
<b>750 Formula S</b>		750	2	1998-2000		0.6	DCPR9E	2641		DCPR9EIX	2316
<b>750 Ghost</b>		750	2	1998-		0.6	DCPR8E	4339		DCPR8EIX	6546
<b>750 S</b>		750	2	1997-		0.6	DCPR8E	4339		DCPR8EIX	6546
<b>750 Sport</b>		750	2	1998-		0.6	DCPR8E	4339		DCPR8EIX	6546
<b>750 SS</b>		750	2	2000-		0.6	DCPR8E	4339		DCPR8EIX	6546
<b>750 Strike</b>		750	2	1998-		0.6	DCPR8E	4339		DCPR8EIX	6546
<b>1000 SFC</b>		1000	3	2004-2004		0.5	B9ES	2611	Q202	BR9EIX	3981

**LECSO**

<b>LTS 50 BW</b>		50	1	1996-2000		0.6	BP6HS	4511		BPR6HIX	4085
<b>LTS 50 TR</b>		50	1	1995-2000		0.6	BP6HS	4511		BPR6HIX	4085

**LEM**

<b>2001 Bay</b>		50	1	-		0.5	BP6ES	7811		BPR6EIX	6637
<b>2001 Matic</b>		50	1	-		0.5	BP6ES	7811		BPR6EIX	6637
<b>2001 Variant</b>		50	1	-		0.5	BP6ES	7811		BPR6EIX	6637
<b>Cayman</b>		50	1	-		0.5	B7HS	5110		BR7HIX	7067
<b>Cayman LC</b>		50	1	-		0.5	B7HS	5110		BR7HIX	7067
<b>Chembol Form</b>		50	1	-		0.5	B6ES	7310			

\*Bitte Elektrodenabstand nach Angaben des Herstellers justieren

\*Please adjust the ground electrode gap

\*Veuillez vérifier l'écartement

\* Por favor, ajustar la distancia entre los electrodos

\*Regolare il gap

\*\* Iridium IX Spark Plug is the standard recommendation





Stock No.

Quick No.

Upgrade ↑

Stock No. ↑

**LEM**

<b>Chembol Raid</b>		50	1	-		0.5	B6ES	7310			
<b>Cinno Corsa 10</b>		50	1	-		0.5	B6HS	4510		BR6HIX	3419
<b>Cinno Corsa 8</b>		50	1	-		0.5	B6HS	4510		BR6HIX	3419
<b>Condor</b>		50	1	-		0.5	B7HS	5110		BR7HIX	7067
<b>Convert</b>		50	1	-		0.5	B5HS	4210			
<b>CR 3</b>		50	1	1997-		0.5	B7HS	5110		BR7HIX	7067
<b>Flash</b>		50	1	-		0.6	BR7HS	4737		BR7HIX	7067
<b>Ghibli</b>		50	1	-		0.6	BR7HS	4737		BR7HIX	7067
<b>L 2</b>		50	1	-		0.5	B7HS	5110		BR7HIX	7067
<b>LX 1</b>		50	1	-		0.6	B8HS	5510		BR8HIX	7001
<b>LX 2</b>		50	1	1997-		0.5	B7HS	5110		BR7HIX	7067
<b>LX 2-SR</b>		50	1	-		0.5	B7HS	5110		BR7HIX	7067
<b>LX 2-S Sport</b>		50	1	1997-		0.5	B7HS	5110		BR7HIX	7067
<b>LX 4</b>		50	1	-	14mm Thread Size / 19mm Thread Reach	0.7	BR9ES	5722		BR9EIX	3981
<b>LX 4 New</b>		50	1	-	Italy	0.6	B9ES	2611	Q202	BR9EIX	3981
<b>Piesse</b>		50	1	-	Italy	0.5	B5HS	4210			
<b>Pizeta</b>		50	1	-		0.5	B5HS	4210			
<b>Pratikal Kit SL</b>		50	1	-		0.5	B5HS	4210			
<b>R 2 Air</b>		50	1	-		0.7	BR10EIX**	6801			
<b>R 3 Air</b>		50	1	-		0.7	BR10EIX**	6801			
<b>R 3 Usa</b>		50	1	-		0.7	BR10EIX**	6801			
<b>S6 Racer 50</b>		50	1	-		0.6	BR10EIX**	6801			
<b>SK 6</b>		50	1	-		0.5	B7HS	5110		BR7HIX	7067
<b>SM 2</b>		50	1	-		0.5	B7HS	5110		BR7HIX	7067
<b>SM 3</b>		50	1	-		0.7	BR10EIX**	6801			
<b>Stratos</b>		50	1	-		0.5	B6ES	7310			
<b>Stratos Matic</b>		50	1	-		0.5	B5HS	4210			

**LEXMOTO**

<b>Flash 50</b>	ZN50QT-15A	50	1	2012-		0.7	C7HSA	4629		CR7HIX	7544
<b>LSM 50</b>		50	1	2012-		0.6	BR8ES	5422	Q207	BR8EIX	5044
<b>Milano 50</b>	FT50QT-27	50	1	2015-		0.7	C7HSA	4629		CR7HIX	7544
<b>Tommy 50</b>	ZN50QT-A	50	1	2012-		0.7	C7HSA	4629		CR7HIX	7544
<b>Tommy II 50</b>	ZN50QT-E	50	1	2012-		0.7	C7HSA	4629		CR7HIX	7544
<b>Tornado 50</b>	SB50QT-16(B08)	50	1	2012-		0.7	C7HSA	4629		CR7HIX	7544
<b>Adrenaline 125</b>	XFLM125GY-2B	125	1	2015-		0.7	CR8E	4854	Q226	CR8EIX	4218
<b>Arizona 125</b>	ZS125-30	125	1	2013-		0.7	D8EA	2120	Q216	DR8EIX	6681
<b>Arrow 125</b>	HT125-4F	125	1	2013-		0.7	D8EA	2120	Q216	DR8EIX	6681
<b>Firenze 125</b>	ZN125T-F	125	1	2012-		0.7	C7HSA	4629		CR7HIX	7544
<b>FMS 125</b>	ZN125T-7H	125	1	2015-		0.6	CR7HSA	4549		CR7HIX	7544
<b>FMX 125</b>	WY125T-108	125	1	2015-		0.6	CR7HSA	4549		CR7HIX	7544
<b>Gladiator 125</b>	SB125T-23B	125	1	2012-		0.7	C7HSA	4629		CR7HIX	7544
<b>Ranger 125</b>	ZS125-50	125	1	2013-		0.7	D8EA	2120	Q216	DR8EIX	6681
<b>Street 125</b>	DFE125-8A	125	1	2013-		0.7	CR7E	4578	Q225	CR7EIX	7385
<b>Tommy 125</b>	ZN125T-E	125	1	2012-		0.7	C7HSA	4629		CR7HIX	7544
<b>Tornado 125</b>	SB125T-21(B08)	125	1	2013-		0.7	CR7HSA	4549		CR7HIX	7544
<b>Valencia 125</b>		125	1	2012-		0.7	C7HSA	4629		CR7HIX	7544
<b>Valiant XF 125 R</b>		125	1	2015-		0.7	CR8E	4854	Q226	CR8EIX	4218
<b>Venom SK125-22</b>		125	1	2015-		0.9	CPR6EA-9	6899		CPR6EAIX-9S	93921
<b>Vixen 125</b>	HT125-8	125	1	2013-		0.7	D8EA	2120	Q216	DR8EIX	6681
<b>XTR 125</b>	KS125-23	125	1	2013-		0.7	D8EA	2120	Q216	DR8EIX	6681
<b>XTR 125 S</b>	KS125-24	125	1	-		0.7	D8EA	2120	Q216	DR8EIX	6681

\*Bitte Elektrodenabstand nach Angaben des Herstellers justieren

\*Please adjust the ground electrode gap

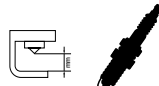
\*Veuillez vérifier l'écartement

\* Por favor, ajustar la distancia entre los electrodos

\*Regolare il gap

\* Iridium IX Spark Plug is the standard recommendation





Stock No.

Quick No.

Upgrade ↑

Stock No. ↑

**LEXMOTO**

<b>XTR S 125</b>	KS125-24	125	1	2013-		0.7	D8EA	2120	Q216	DR8EIX	6681
<b>Zoom II 125</b>	SB125T-21(B10)	125	1	2012-		0.7	C7HSA	4629		CR7HIX	7544

**LIFAN**

<b>Echo LF50QT-8D</b>		50	1	-		0.6	C7HSA	4629		CR7HIX	7544
<b>Jet 50</b>		50	1	-		0.7	C7HSA	4629		CR7HIX	7544
<b>LF50GY</b>		50	1	-		0.6	C7HSA	4629		CR7HIX	7544
<b>LF50GY-4</b>		50	1	-		0.6	C7HSA	4629		CR7HIX	7544
<b>LF50QGY</b>		50	1	-		0.6	C7HSA	4629		CR7HIX	7544
<b>LF50QGY-D</b>		50	1	-		0.6	C7HSA	4629		CR7HIX	7544
<b>LF50QT-15</b>		50	1	2006-2013		0.6	C7HSA	4629		CR7HIX	7544
<b>LF50QT-2A</b>		50	1	2007-2015		0.6	C7HSA	4629		CR7HIX	7544
<b>LF50QT-3</b>		50	1	-		0.6	C7HSA	4629		CR7HIX	7544
<b>LF50QT-7</b>		50	1	-		0.5	B5HS	4210			
<b>LF70GY-3</b>		70	1	-		0.6	C7HSA	4629		CR7HIX	7544
<b>LF70GY-4</b>		70	1	-		0.6	C7HSA	4629		CR7HIX	7544
<b>LF70GY-4A</b>		70	1	-		0.6	C7HSA	4629		CR7HIX	7544
<b>LF70GY-B</b>		70	1	-		0.6	C7HSA	4629		CR7HIX	7544
<b>LF90GY</b>		90	1	-		0.6	C7HSA	4629		CR7HIX	7544
<b>LF90GY-D</b>		90	1	-		0.6	C7HSA	4629		CR7HIX	7544
<b>LF100GY</b>		100	1	-		0.6	C7HSA	4629		CR7HIX	7544
<b>LF100GY-B</b>		100	1	-		0.6	C7HSA	4629		CR7HIX	7544
<b>LF110GY-A</b>		110	1	-		0.6	C7HSA	4629		CR7HIX	7544
<b>LF110GY-D</b>		110	1	-		0.6	C7HSA	4629		CR7HIX	7544
<b>Wacky 110</b>		110	1	-		0.7	C7HSA	4629		CR7HIX	7544
<b>Beat 125 LF125-9A</b>		125	1	-		0.6	C7HSA	4629		CR7HIX	7544
<b>Blaze 125 LF125-30</b>		125	1	-		0.7	D8EA	2120	Q216	DR8EIX	6681
<b>Earth Dragon 125</b>		125	1	-		0.7	D8EA	2120	Q216	DR8EIX	6681
<b>LF125GY</b>		125	1	-		0.9	DPR8EA-9	4929	Q221	DPR8EIX-9	2202
<b>LF125GY-3A</b>		125	1	-		0.9	DPR8EA-9	4929	Q221	DPR8EIX-9	2202
<b>LF125GY-5</b>		125	1	-		0.9	DPR8EA-9	4929	Q221	DPR8EIX-9	2202
<b>LF125-J</b>		125	1	2013-		0.6	D8EA	2120	Q216	DR8EIX	6681
<b>LF125T-2F</b>		125	1	-		0.6	C7HSA	4629		CR7HIX	7544
<b>LF125T-6</b>		125	1	-		0.6	C7HSA	4629		CR7HIX	7544
<b>LF125T-9A</b>		125	1	2009-		0.6	C7HSA	4629		CR7HIX	7544
<b>Samurai LF125-30</b>		125	1	-		0.7	D8EA	2120	Q216	DR8EIX	6681
<b>Sprint LF125-30</b>		125	1	-		0.7	D8EA	2120	Q216	DR8EIX	6681
<b>LF150GY</b>		150	1	-		0.9	DPR8EA-9	4929	Q221	DPR8EIX-9	2202
<b>LF150GY-3A</b>		150	1	-		0.9	DPR8EA-9	4929	Q221	DPR8EIX-9	2202
<b>LF150GY-5</b>		150	1	-		0.9	DPR8EA-9	4929	Q221	DPR8EIX-9	2202
<b>LF150T-10</b>		150	1	-		0.6	C7HSA	4629		CR7HIX	7544
<b>LF150T-5</b>		150	1	-		0.6	C7HSA	4629		CR7HIX	7544
<b>LF150T-6</b>		150	1	-		0.6	C7HSA	4629		CR7HIX	7544
<b>LF150T-8</b>		150	1	-		0.6	C7HSA	4629		CR7HIX	7544
<b>LF150T-9A</b>		150	1	-		0.6	C7HSA	4629		CR7HIX	7544
<b>LF200</b>		200	1	-		0.9	DPR8EA-9	4929	Q221	DPR8EIX-9	2202
<b>LF200-B</b>		200	1	-		0.9	DPR8EA-9	4929	Q221	DPR8EIX-9	2202
<b>LF200GY-2</b>		200	1	-		0.9	DPR8EA-9	4929	Q221	DPR8EIX-9	2202
<b>LF200GY-5</b>		200	1	-		0.9	DPR8EA-9	4929	Q221	DPR8EIX-9	2202
<b>LF250</b>		250	2	-		0.7	CR6HSA	2983		CR6HIX	7274
<b>LF250-B</b>		250	2	-		0.7	CR6HSA	2983		CR6HIX	7274

\*Bitte Elektrodenabstand nach Angaben des Herstellers justieren

\*Please adjust the ground electrode gap

\*Veuillez vérifier l'écartement

\* Por favor, ajustar la distancia entre los electrodos

\*Regolare il gap

\*\* Iridium IX Spark Plug is the standard recommendation





Stock No.

Quick No.

Upgrade ↑

Stock No. ↑

**LINGBEN**

Manhattan		125	1	2006-		0.7	CR7HSA	4549		CR7HIX	7544
-----------	--	-----	---	-------	--	-----	--------	------	--	--------	------

**LML-VESPA**

NV 125 SPL		125	1	1996-		0.6	BP8ES	2912		BPR8EIX	6684
Star CVT Automatica		125	1	2013-		0.7	CR8EH-9	5666	Q228	CR8EHIX-9	3797
Star Deluxe 125		125	1	2009-		0.7	BP8HS CR8EH-9	2630 5666	Q228	BPR8HIX CR8EHIX-9	6742 3797
Via Toscana 125		125	1	2009-		0.7	BP8HS	2630		BPR8HIX	6742
NV 150 SPL		150	1	1996-		0.6	BP8ES	2912		BPR8EIX	6684
Star Deluxe 150		150	1	2009-		0.7	BPR6ES CR8EH-9	7822 5666	Q228	BPR6EIX CR8EHIX-9	6637 3797
NV 200 SPL		200	1	-		0.6	B5ES	6410			
Star Deluxe 200		200	1	2011-		0.7	CR8EH-9	5666	Q228	CR8EHIX-9	3797

**LONGJIA**

Alien 50 Xooter		50	1	2008-		0.7	BR7HS	4737		BR7HIX	7067
Alien 125 Xooter		125	1	-		0.7	CR7HSA	4549		CR7HIX	7544

**MACAL**

GTX		50	1	1998-		0.6	BR7HS	4737		BR7HIX	7067
MY 50		50	1	1999-		0.6	BR7HS	4737		BR7HIX	7067
New Star		50	1	1998-		0.6	BR7HS	4737		BR7HIX	7067
Star Flight		50	1	1998-		0.6	BR7HS	4737		BR7HIX	7067
Trophy		50	1	1998-		0.6	BR8ES	5422	Q207	BR8EIX	5044

**MAGELLI**

125 m		125	1	2008-		0.7	DR7EA	7839		DR7EIX	5686
125 r		125	1	2008-		0.7	DR7EA	7839		DR7EIX	5686
125 s		125	1	2008-		0.7	DR7EA	7839		DR7EIX	5686

**MAGNI**

Australia		1000	2	1994-	Air	0.7	D9EA	2420		DR9EIX	4772
-----------	--	------	---	-------	-----	-----	------	------	--	--------	------

**MAICO**

MD 50		50	1	-		0.7	BR9HIX**	5687			
Mofa		50	1	-		*	BR6HIX**	3419			
SG 125		125	1	-		0.5	B9ES	2611	Q202	BR9EIX	3981
Macomobil MB 150		150	1	-		*	BR7HIX**	7067			
Maicoletta 175		175	1	-		*	BR8HIX**	7001			
Macomobil MB 2000		200	1	-		*	BR7HIX**	7067			
250		250	1	1994-		0.5	B9ES	2611	Q202	BR9EIX	3981
Maicoletta 250		250	1	-		*	BR8HIX**	7001			
Maicoletta 277		277	1	-		*	BR8HIX**	7001			
320		320	1	1994-		0.6	B9ES	2611	Q202	BR9EIX	3981
MC 400		400	1	-		0.5	B9ES	2611	Q202	BR9EIX	3981
MC 440		440	1	1994-		0.6	B9ES	2611	Q202	BR9EIX	3981
GS 500		500	1	-		0.5	B9ES	2611	Q202	BR9EIX	3981
GS Star 500		500	1	-		0.5	B9ES	2611	Q202	BR9EIX	3981
GS Star E 500		500	1	-		0.5	B9ES	2611	Q202	BR9EIX	3981
MC 500		500	1	-		0.5	B9ES	2611	Q202	BR9EIX	3981

**MALAGUTI**

Centro 50		50	1	1992-		0.6	BR7HS	4737		BR7HIX	7067
Centro 50		50	1	2000-		0.7	BR8HS	4915	Q212	BR8HIX	7001
Centro 50		50	1	2008-		0.7	PMR7A	4259			
Centro 50 Luxe		50	1	1996-		0.5	BR7HS	4737		BR7HIX	7067

\*Bitte Elektrodenabstand nach Angaben des Herstellers justieren

\*Please adjust the ground electrode gap

\*Veuillez vérifier l'écartement

\* Por favor, ajustar la distancia entre los electrodos

\*Regolare il gap

\*Iridium IX Spark Plug is the standard recommendation





Stock No.

Quick No.

Upgrade ↑

Stock No. ↑

**MALAGUTI**

Centro 50 SL		50	1	-		0.6	BR7HS	4737		BR7HIX	7067
Centro 50 SL		50	1	1993-		0.5	BR7HS	4737		BR7HIX	7067
Centro 50 SL		50	1	2010-		0.7	PMR7A	4259			
Ciak 50		50	1	-		0.5	DR8HS	5123			
Ciak Master 50		50	1	1999-		0.7	BR8HS	4915	Q212	BR8HIX	7001
Ciak Master 50		50	1	2008-		0.7	PMR7A	4259			
CR 1		50	1	1995-		0.5	BPR6HS	7022		BPR6HIX	4085
Crosser CR1 50		50	1	-		0.6	BPR6HS	7022		BPR6HIX	4085
Custon Fox		50	1	-		0.5	B6HS	4510		BR6HIX	3419
Drakon		50	1	-		0.6	BR9ES	5722		BR9EIX	3981
DVD 50 Malbonline		50	1	2010-		0.7	PMR7A	4259			
ET		50	1	-		0.6	B6HS	4510		BR6HIX	3419
F-10		50	1	1993-		0.5	BR7HS	4737		BR7HIX	7067
F-10 Jet Line		50	1	1992-		0.6	BR7HS	4737		BR7HIX	7067
F-10 Jet Line		50	1	2000-		0.7	BR8HS	4915	Q212	BR8HIX	7001
F-10 Jet Line Tigers		50	1	-		0.6	BR7HS	4737		BR7HIX	7067
F-10 Jet Line Tribal		50	1	2010-		0.6	BR7HS	4737		BR7HIX	7067
F-10 Jet Line WAP		50	1	2003-		0.6	BR7HS	4737		BR7HIX	7067
F-11		50	1	-		0.7	BR8HS	4915	Q212	BR8HIX	7001
F-12 Dragon 50		50		1996-		0.5	BR7HS	4737		BR7HIX	7067
F-12 Phantom AC		50	1	2000-	Air	0.5	BR7HS	4737		BR7HIX	7067
F-12 Phantom LC		50	1	2000-	Water fluid	0.7	BR8HS	4915	Q212	BR8HIX	7001
F-12 Wild Attack		50	1	-		0.5	BR8HS	4915	Q212	BR8HIX	7001
F-15 Ducati Corse		50	1	2007-		0.7	BR8HS	4915	Q212	BR8HIX	7001
F-15 Firefox 50		50	1	1996-	Water fluid	0.7	BR8HS	4915	Q212	BR8HIX	7001
F-15 Firefox 50 AC		50	1	2005-	Air	0.5	BR7HS	4737		BR7HIX	7067
F-15 GSE Replica		50	1	-		0.5	BR8HS	4915	Q212	BR8HIX	7001
F 50 Foggy Replica		50	1	-		0.5	BR8HS	4915	Q212	BR8HIX	7001
Fifty Full		50	1	-		0.5	B6HS	4510		BR6HIX	3419
Fifty Top		50	1	-	FR	0.5	B6HS	4510		BR6HIX	3419
Fifty Top		50	1	-		0.5	B9ES	2611	Q202	BR9EIX	3981
Grizzly 10 Cross		50	1	-		0.5	B6HS	4510		BR6HIX	3419
Grizzly 10 Supermoto		50	1	-		0.5	B6HS	4510		BR6HIX	3419
Grizzly 12 Cross		50	1	1999-		0.5	B8HS	5510		BR8HIX	7001
Grizzly 12 Supermoto		50	1	-		0.5	B7HS	5110		BR7HIX	7067
Grizzly Ranocchio		50	1	-		0.5	B6HS	4510		BR6HIX	3419
Grizzly RCW4		50	1	-		0.5	B6HS	4510		BR6HIX	3419
Grizzly RCW50		50	1	-		0.5	B6HS	4510		BR6HIX	3419
Grizzly RCX10		50	1	-		0.5	B6HS	4510		BR6HIX	3419
Grizzly RCX50		50	1	-		0.5	B6HS	4510		BR6HIX	3419
Grizzly RXC 10		50	1	-		0.5	BR6HS	4200		BR6HIX	3419
Grizzly RXC 12		50	1	-		0.5	BR8HS	4915	Q212	BR8HIX	7001
MRX 50		50	1	-		0.5	BPR7ES	2023		BPR7EIX	4055
Phantom LC Tiger 50		50	1	1993-		0.6	BR7HS	4737		BR7HIX	7067
RCX 10 Automatic		50	1	-		0.5	B6HS	4510		BR6HIX	3419
RCX 12 Automatic		50	1	-		0.5	B8HS	5510		BR8HIX	7001
RCX 4		50	1	-		0.5	B8HS	5510		BR8HIX	7001
XSM		50	1	-		0.6	BR9ES	5722		BR9EIX	3981
XTM		50	1	-		0.6	BR9ES	5722		BR9EIX	3981
Yesterday		50	1	1997-		0.6	BR8HS	4915	Q212	BR8HIX	7001
F69 Phantom		70	1	1997-1999		0.5	BR7HS	4737		BR7HIX	7067
Dune Enduro 75		75	1	-		0.5	B7ES	1111		BR7EIX	6664

\* Bitte Elektrodenabstand nach Angaben des Herstellers justieren

\* Please adjust the ground electrode gap

\* Veuillez vérifier l'écartement

\* Por favor, ajustar la distancia entre los electrodos

\* Regolare il gap

\*\* Iridium IX Spark Plug is the standard recommendation



Stock No.

Quick No.

Upgrade ↑

Stock No. ↑

**MALAGUTI**

<b>RST 75 Turismo</b>		75	1	-		0.5	B7ES	1111		BR7EIX	6664
<b>Ciak 100</b>		100	1	2002-		0.5	BR7HS	4737		BR7HIX	7067
<b>F-12 Phantom</b>		100	1	-		0.5	BR7HS	4737		BR7HIX	7067
<b>Blog 125</b>		125	1	2009-		0.9	DPR7EA-9	5129	Q220	DPR7EIX-9	7803
<b>Centro 125</b>		125	1	-		0.9	DPR7EA-9	5129	Q220	DPR7EIX-9	7803
<b>Centro 125 SL</b>		125	1	2010-		0.9	DPR7EA-9	5129	Q220	DPR7EIX-9	7803
<b>Ciak 125</b>		125	1	2001-2004		0.7	CR7HSA	4549		CR7HIX	7544
<b>F-18 Warrior 125</b>		125	1	-		0.9	DPR7EA-9	5129	Q220	DPR7EIX-9	7803
<b>Madison 125</b>		125	1	-		0.7	CR8E	4854	Q226	CR8EIX	4218
<b>Madison 125 E2</b>		125	1	-		0.7	CR8E	4854	Q226	CR8EIX	4218
<b>Madison 3</b>		125	1	-		0.6	CR8EB	7784			
<b>Runner 125 Rally</b>		125	1	-		0.5	B9ES	2611	Q202	BR9EIX	3981
<b>Runner 125 YLC</b>		125	1	-		0.5	B8ES	2411	Q201	BR8EIX	5044
<b>X3M Enduro 125</b>		125	1	2008-		0.7	CR7HSA	4549		CR7HIX	7544
<b>X3M Motard 125</b>		125	1	2008-		0.7	CR7HSA	4549		CR7HIX	7544
<b>Ciak 150</b>		150	1	-		0.7	CR7HSA	4549		CR7HIX	7544
<b>F-18 Warrior 150</b>		150	1	2001-		0.9	DPR7EA-9	5129	Q220	DPR7EIX-9	7803
<b>Madison 150</b>		150	1	-		0.7	CR8E	4854	Q226	CR8EIX	4218
<b>Blog 160</b>		160	1	-		0.9	DPR7EA-9	5129	Q220	DPR7EIX-9	7803
<b>Centro 160</b>		160	1	-		0.9	DPR7EA-9	5129	Q220	DPR7EIX-9	7803
<b>Centro 160 SL</b>		160	1	2010-		0.9	DPR7EA-9	5129	Q220	DPR7EIX-9	7803
<b>Madison 180</b>		180		-2001		0.7	CR9EB	6955			
<b>Madison 180</b>		180		2001-		0.7	CR8EB	7784			
<b>F-12 Phantom Max 200</b>		200	1	2004-		0.6	CR8EB	7784			
<b>Madison S 200</b>		200	1	2003-		0.6	CR8EB	7784			
<b>Madison 250</b>		250		1999-2004		0.9	DPR9EA-9	5329	Q222	DPR9EIX-9	5545
<b>Madison 3 250</b>		250	1	-		0.7	PMR8B	6378			
<b>Madison S 250</b>		250	1	-		0.7	DR8EA	7162		DR8EIX	6681
<b>Password 250</b>		250	1	-		0.9	DPR8EA-9	4929	Q221	DPR8EIX-9	2202
<b>Madison 400</b>		400	1	2002-		0.8	CR7E	4578	Q225	CR7EIX	7385
<b>Madison 400</b>		400	1	2003-		0.7	CR9E	6263	Q227	CR9EIX	3521
<b>Spidermax GT 500</b>		500	1	2004-		0.6	CR7EKB	4455			
<b>Spidermax RS 500</b>		500	1	2010-		0.6	CR7EKB	4455			

**MANET KORADO**

<b>Mofa 50</b>		50	1	-		0.5	B6HS	4510		BR6HIX	3419
<b>Moped 50</b>		50	1	-		0.5	B6HS	4510		BR6HIX	3419

**MARS**

<b>M 25</b>		25	1	-		0.8	B5HS	4210			
<b>Enduro Dakarino</b>		50	1	-		0.6	B8HCS	2621			
<b>M 25 Mini Califo</b>		50	1	-		0.8	B5HS	4210			
<b>M 50</b>		50	1	-		0.8	B5HS	4210			
<b>MK 50</b>		50	1	-		0.6	BP6HS	4511		BPR6HIX	4085
<b>MK 50</b>		50	1	-		0.6	BPR6HSA	4632		BPR6HIX	4085
<b>MK 50/1</b>		50	1	-		0.6	BP6HS	4511		BPR6HIX	4085
<b>SM 50</b>		50	1	-		0.6	BP7HS	5111		BPR7HIX	5944
<b>SM 50/1</b>		50	1	-		0.6	BP7HS	5111		BPR7HIX	5944

**MASH**

<b>Black Seven 125</b>		125	1	2017-	12hp	0.7	CR7E	4578	Q225	CR7EIX	7385
<b>Brown Edition 125</b>		125	1	2017-	12hp	0.7	CR7E	4578	Q225	CR7EIX	7385
<b>Cafe Racer 125</b>		125	1	2014-		0.7	CR7E	4578	Q225	CR7EIX	7385
<b>Dirt Track 125</b>		125	1	-	12hp	0.7	CR7E	4578	Q225	CR7EIX	7385

\*Bitte Elektrodenabstand nach Angaben des Herstellers justieren

\*Please adjust the ground electrode gap

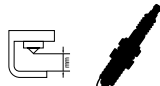
\*Veuillez vérifier l'écartement

\* Por favor, ajustar la distancia entre los electrodos

\*Regolare il gap

\* Iridium IX Spark Plug is the standard recommendation





Stock No.

Quick No.

Upgrade ↑

Stock No. ↑

**MASH**

<b>MH RX125R</b>		125	1	2014-		0.7	CR7E	4578	Q225	CR7EIX	7385
<b>Scrambler 125</b>		125	1	2014-		0.7	CR7E	4578	Q225	CR7EIX	7385
<b>Seventy 125</b>		125	1	2014-		0.7	CR7E	4578	Q225	CR7EIX	7385
<b>Seventy-Five 125</b>		125	1	2014-		0.7	CR7E	4578	Q225	CR7EIX	7385
<b>Seventy-Five Vintage 125</b>		125	1	2014-		0.7	CR7E	4578	Q225	CR7EIX	7385
<b>Black Seven 250</b>		250	1	-	20hp	0.7	DR8EA	7162		DR8EIX	6681
<b>Two Fifty 250</b>		250	1	2014-		0.7	DR8EA	7162		DR8EIX	6681
<b>Family Side 400</b>		400	1	-	28hp	0.6	DPR8Z	4730			
<b>Five Hundred 400</b>		400	1	2014-		0.6	DPR8Z	4730			
<b>Scrambler 400</b>		400	1	-	28hp	0.6	DPR8Z	4730			
<b>TT40 Cafe Racer 400</b>		400	1	-	28hp	0.6	DPR8Z	4730			

**MBK**

<b>50 EV</b>		50	1	-		0.5	B6HS	4510		BR6HIX	3419
<b>50 EW</b>		50	1	-		0.5	B6HS	4510		BR6HIX	3419
<b>50 L</b>		50	1	-		0.5	B6HS	4510		BR6HIX	3419
<b>50 R</b>		50	1	-		0.5	B7HS	5110		BR7HIX	7067
<b>50 S</b>		50	1	-		0.5	B6HS	4510		BR6HIX	3419
<b>50 VL</b>		50	1	-		0.5	B6HS	4510		BR6HIX	3419
<b>50 VS</b>		50	1	-		0.5	B6HS	4510		BR6HIX	3419
<b>51 Club</b>		50	1	-		0.7	B7HS	5110		BR7HIX	7067
<b>51 Club Swing</b>		50	1	-		0.7	B6HS	4510		BR6HIX	3419
<b>51 Club VR</b>		50	1	-		0.7	B7HS	5110		BR7HIX	7067
<b>51 Collection</b>		50	1	-		0.7	B7HS	5110		BR7HIX	7067
<b>51 Evasion</b>		50	1	-		0.7	B7HS	5110		BR7HIX	7067
<b>51 Hard Rock</b>		50	1	-		0.7	B7HS	5110		BR7HIX	7067
<b>51 Jazz</b>		50	1	-		0.7	B7HS	5110		BR7HIX	7067
<b>51 Mag Max</b>		50	1	-		0.7	B8ES	2411	Q201	BR8EIX	5044
<b>51 Magnum Racing</b>		50	1	-		0.7	B6HS	4510		BR6HIX	3419
<b>51 Magnum Racing XR</b>		50	1	-	Water fluid	0.7	B8ES	2411	Q201	BR8EIX	5044
<b>51 New West</b>		50	1	-		0.5	B6HS	4510		BR6HIX	3419
<b>51 Passion</b>		50	1	-		0.7	B8ES	2411	Q201	BR8EIX	5044
<b>51 Roadster</b>		50	1	-		0.7	B8ES	2411	Q201	BR8EIX	5044
<b>51 S</b>		50	1	-		0.5	B6HS	4510		BR6HIX	3419
<b>51 SL</b>		50	1	-		0.5	B6HS	4510		BR6HIX	3419
<b>51 V</b>		50	1	-		0.5	B6HS	4510		BR6HIX	3419
<b>51 V</b>		50	1	-		0.7	B7HS	5110		BR7HIX	7067
<b>51 VL</b>		50	1	-		0.5	B6HS	4510		BR6HIX	3419
<b>881 P</b>		50	1	-	Air	0.7	B6HS	4510		BR6HIX	3419
<b>881 P</b>		50	1	-	Water fluid	0.7	B6HS	4510		BR6HIX	3419
<b>881 U</b>		50	1	-	Air	0.7	B6HS	4510		BR6HIX	3419
<b>881 U</b>		50	1	-	Water fluid	0.7	B6HS	4510		BR6HIX	3419
<b>88 IP</b>		50	1	-		0.5	B6HS	4510		BR6HIX	3419
<b>88 IU</b>		50	1	-		0.5	B6HS	4510		BR6HIX	3419
<b>89</b>		50	1	-		0.5	B6HS	4510		BR6HIX	3419
<b>89 Air</b>		50	1	-		0.7	B6HS	4510		BR6HIX	3419
<b>93</b>		50	1	-	Italy	0.5	B7HS	5110		BR7HIX	7067
<b>99</b>		50	1	-		0.5	B7HS	5110		BR7HIX	7067
<b>Active</b>		50	1	-		0.7	BPR7HS	6422		BPR7HIX	5944
<b>Active 50</b>		50	1	-	Italy	0.6	BR7HS	4737		BR7HIX	7067
<b>AV 56</b>		50	1	-		0.5	B6HS	4510		BR6HIX	3419
<b>AV 59</b>		50	1	-		0.5	B6HS	4510		BR6HIX	3419

\*Bitte Elektrodenabstand nach Angaben des Herstellers justieren

\*Please adjust the ground electrode gap

\*Veuillez vérifier l'écartement

\* Por favor, ajustar la distancia entre los electrodos

\*Regolare il gap

\*\* Iridium IX Spark Plug is the standard recommendation





Stock No.

Quick No.

Upgrade ↑

Stock No. ↑

**MBK**

<b>AV 89</b>		50	1	-		0.5	B6HS	4510		BR6HIX	3419
<b>AV 92</b>		50	1	-		0.5	B6HS	4510		BR6HIX	3419
<b>AV 98</b>		50	1	-		0.5	B6HS	4510		BR6HIX	3419
<b>Cady</b>		50	1	-		0.5	B6HS	4510		BR6HIX	3419
<b>CF</b>		50	1	-		0.5	B6HS	4510		BR6HIX	3419
<b>Champ</b>		50	1	-		0.5	B6HS	4510		BR6HIX	3419
<b>Champ</b>		50	1	-		0.7	BPR6HS	7022		BPR6HIX	4085
<b>Champ 88</b>		50	1	-		0.7	B6HS	4510		BR6HIX	3419
<b>Champ 89</b>		50	1	-		0.7	B6HS	4510		BR6HIX	3419
<b>CS 50 AC Mach G</b>		50	1	2002-2006		0.6	BR8HS	4915	Q212	BR8HIX	7001
<b>CS 50 Z LC Mach G</b>	5RW	50	1	2002-2006		0.6	BR8HS	4915	Q212	BR8HIX	7001
<b>CT 50 S - CT 50 SS</b>		50	1	-		1.0	BP7HS-10	7829			
<b>CW 50 Booster</b>	4FG	50	1	-		0.5	BR8HS	4915	Q212	BR8HIX	7001
<b>CW 50 Booster</b>	3TX	50	1	-	Italy	0.5	BPR7HS	6422		BPR7HIX	5944
<b>CW 50 Booster</b>		50	1	1993-		0.5	BR7HS	4737		BR7HIX	7067
<b>CW 50 Booster</b>		50	1	1997-		0.6	BR8HS	4915	Q212	BR8HIX	7001
<b>CW 50 Booster 10 years Spécial</b>		50	1	2000-		0.7	BR8HS	4915	Q212	BR8HIX	7001
<b>CW 50 Booster F1</b>		50	1	-		0.7	BR8HS	4915	Q212	BR8HIX	7001
<b>CW 50 Booster N.G.</b>		50	1	-	Italy	0.6	BR8HS	4915	Q212	BR8HIX	7001
<b>CW 50 Booster NG</b>		50	1	1997-	Italy	0.6	BR8HS	4915	Q212	BR8HIX	7001
<b>CW 50 Booster Original</b>		50	1	-		0.7	BR8HS	4915	Q212	BR8HIX	7001
<b>CW 50 Booster Power Rocket</b>		50	1	-		0.7	BR8HS	4915	Q212	BR8HIX	7001
<b>CW 50 Booster R</b>		50	1	-	Netherland	0.6	BR7HS	4737		BR7HIX	7067
<b>CW 50 Booster Road</b>		50	1	-		0.7	BR7HS	4737		BR7HIX	7067
<b>CW 50 Booster Rocket</b>		50	1	1997-		0.6	BR8HS	4915	Q212	BR8HIX	7001
<b>CW 50 Booster Spirit</b>		50	1	-		0.6	BR8HS	4915	Q212	BR8HIX	7001
<b>CW 50 Booster Track</b>		50	1	1997-		0.6	BR8HS	4915	Q212	BR8HIX	7001
<b>CW 50 Spirit SAS</b>		50	1	-		0.6	BR8HS	4915	Q212	BR8HIX	7001
<b>D50</b>		50	1	-	UK	0.5	B7HS	5110		BR7HIX	7067
<b>Dakota 50</b>		50	1	2005-		0.6	BR7HS	4737		BR7HIX	7067
<b>Daytona Beach</b>		50	1	-		0.5	B6HS	4510		BR6HIX	3419
<b>Daytona Cruiser</b>		50	1	-		0.5	B6HS	4510		BR6HIX	3419
<b>DX Boite 5</b>		50	1	-		0.7	BR8ES	5422	Q207	BR8EIX	5044
<b>DX S</b>		50	1	-		0.7	BR7HS	4737		BR7HIX	7067
<b>Equalis 50</b>		50	1	-		0.7	BR7HS	4737		BR7HIX	7067
<b>EW 50 Stunt</b>		50	1	1999-2002		0.6	BR9HS	4522		BR9HIX	5687
<b>EW 50 Stunt</b>		50	1	2003-		0.6	BR8HS	4915	Q212	BR8HIX	7001
<b>FXK</b>		50	1	-		0.5	B8ES	2411	Q201	BR8EIX	5044
<b>G 40</b>		50	1	-		0.5	B6HS	4510		BR6HIX	3419
<b>G 50</b>		50	1	-		0.5	B6HS	4510		BR6HIX	3419
<b>Hobby IV</b>		50	1	-		0.5	BP6ES	7811		BPR6EIX	6637
<b>Hot Champ 50</b>		50	1	-		0.7	BR7HS	4737		BR7HIX	7067
<b>Kansas 50</b>		50	1	2005-		0.6	BR7HS	4737		BR7HIX	7067
<b>KW Magnum</b>		50	1	-		0.5	B6HS	4510		BR6HIX	3419
<b>Mobylett</b>		50	1	-		0.5	B6HS	4510		BR6HIX	3419
<b>N 40</b>		50	1	-		0.5	B6HS	4510		BR6HIX	3419
<b>N 50</b>		50	1	-		0.5	B6HS	4510		BR6HIX	3419
<b>New Sorriso 50</b>		50	1	1995-		0.6	BP7HS	5111		BPR7HIX	5944
<b>Phönix</b>		50	1	2005-		0.6	BR7HS	4737		BR7HIX	7067
<b>Rock</b>		50	1	-		0.5	B6HS	4510		BR6HIX	3419
<b>Sorriso 50</b>		50	1	-		1.0	BP7HS-10	7829			

\* Bitte Elektrodenabstand nach Angaben des Herstellers justieren

\* Please adjust the ground electrode gap

\* Veuillez vérifier l'écartement

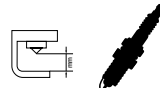
\* Por favor, ajustar la distancia entre los electrodos

\* Regolare il gap

\* Iridium IX Spark Plug is the standard recommendation







Stock No.

Quick No.

Upgrade ↑

Stock No. ↑

**MBK**

SP 50		50	1	-		0.5	B6HS	4510		BR6HIX	3419
SP 92		50	1	-		0.5	B6HS	4510		BR6HIX	3419
SP 93		50	1	-		0.5	B6HS	4510		BR6HIX	3419
SP 94		50	1	-		0.5	B6HS	4510		BR6HIX	3419
SP 94 TT		50	1	-	Italy	0.5	B7HS	5110		BR7HIX	7067
SP 98		50	1	-		0.5	B6HS	4510		BR6HIX	3419
SP 99		50	1	-		0.5	B6HS	4510		BR6HIX	3419
Target 50		50	1	-		0.6	BP7HS	5111		BPR7HIX	5944
TZR 50 XPower		50	1	2003-	Italy	0.8	BR9ES	5722		BR9EIX	3981
Weekly		50	1	-		0.5	B7HS	5110		BR7HIX	7067
X 1		50	1	-		0.5	B6HS	4510		BR6HIX	3419
X 1L		50	1	-		0.5	B6HS	4510		BR6HIX	3419
X 7L		50	1	-		0.5	B6HS	4510		BR6HIX	3419
X 7S		50	1	-		0.5	B6HS	4510		BR6HIX	3419
X 7VL		50	1	-		0.5	B6HS	4510		BR6HIX	3419
X 7VS		50	1	-		0.5	B6HS	4510		BR6HIX	3419
X-Limit 50		50	1	1996-2004		0.7	BR8ES	5422	Q207	BR8EIX	5044
X-Limit 50		50	1	2005-		0.7	BR9ES	5722		BR9EIX	3981
YA 50 Forte		50	1	1994-	Italy	0.6	BR7HS	4737		BR7HIX	7067
YA 50 Forte	3UG	50	1	1996-		0.6	BR8HS	4915	Q212	BR8HIX	7001
YA 50 Forte		50	1	1997-		0.5	BR7HS	4737		BR7HIX	7067
YE 50 Evolis	4HU	50	1	-		0.5	BR6HS	4200		BR6HIX	3419
YE 50 Evolis		50	1	1992-		0.6	BR7HS	4737		BR7HIX	7067
YE 50 Evolis	4FW	50	1	1993-	Italy	0.5	BR7HS	4737		BR7HIX	7067
YE 50 Evolis		50	1	1997-		0.6	BR8HS	4915	Q212	BR8HIX	7001
YH 50 Flipper		50	1	1998-	Italy	0.6	BR8HS	4915	Q212	BR8HIX	7001
YM 50 Fizz		50	1	-1996		0.5	BR8HS	4915	Q212	BR8HIX	7001
YM 50 Fizz		50	1	1994-		0.6	BR7HS	4737		BR7HIX	7067
YM 50 Fizz		50	1	1997-		0.6	BR8HS	4915	Q212	BR8HIX	7001
YN 50 Ovetto		50	1	1997-		0.6	BR8HS	4915	Q212	BR8HIX	7001
YN 50 Ovetto 4		50	1	2014-		0.8	CR7E	4578	Q225	CR7EIX	7385
YQ 50 Nitro		50	1	1997-		0.6	BR8HS	4915	Q212	BR8HIX	7001
YQ 50 Nitro F1 McLaren		50	1	2000-		0.6	BR8HS	4915	Q212	BR8HIX	7001
YQ 50 Nitro Jaguar Racing		50	1	2004-		0.7	BR8HS	4915	Q212	BR8HIX	7001
ZX		50	1	-		0.5	BR7HS	4737		BR7HIX	7067
D75		75	1	-		0.5	B8HS	5510		BR8HIX	7001
Active		80	1	-		0.7	BPR7HS	6422		BPR7HIX	5944
YE 80 Evolis	4MU	80	1	1993-1999		0.7	BR7HS	4737		BR7HIX	7067
Zest	4MU	80	1	-	Italy	0.7	BR7HS	4737		BR7HIX	7067
YN 100 Ovetto	5KK	100	1	1999-2003	Italy	0.6	BR8HS	4915	Q212	BR8HIX	7001
YQ 100 Nitro	5ME	100	1	2000-2003	Italy	0.6	BR8HS	4915	Q212	BR8HIX	7001
YW 100 Booster	4VP	100	1	1999-2002		1.0	BPR7HS-10	1092			
125		125	1	-	14mm Thread Size / 19mm Thread Reach	0.5	B8ES	2411	Q201	BR8EIX	5044
125		125	1	-	14mm Thread Size / 12,7mm Thread Reach	0.5	B8HS	5510		BR8HIX	7001
Active		125	1	-1995		0.7	CR6HSA	2983		CR6HIX	7274
Doodo		125	1	-		0.7	CR8E	4854	Q226	CR8EIX	4218
Skycruiser 125		125	1	2006-	14hp	0.9	CPR9EAX9**	97673			
Skycruiser 125		125	1	2006-		0.9	CPR9EA-9	2308		CPR9EAIX-9	97673
Skyliner		125	1	1998-		0.7	CR8E	4854	Q226	CR8EIX	4218
Thunder 125		125	1	-		0.7	CR8E	4854	Q226	CR8EIX	4218

\*Bitte Elektrodenabstand nach Angaben des Herstellers justieren

\*Please adjust the ground electrode gap

\*Veuillez vérifier l'écartement

\* Por favor, ajustar la distancia entre los electrodos

\*Regolare il gap

\*\* Iridium IX Spark Plug is the standard recommendation





Stock No.

Quick No.

Upgrade ↑

Stock No. ↑

**MBK**

<b>XC 125 Flame</b>		125	1	-1994		0.7	CR6HSA	2983		CR6HIX	7274
<b>XC 125 Flame F</b>		125	1	2000-2003		0.6	CR7E	4578	Q225	CR7EIX	7385
<b>XC 125 Flame R</b>		125	1	1996-1999		0.6	CR7E	4578	Q225	CR7EIX	7385
<b>XC 125 Flame T</b>		125	1	1995-2000		0.6	CR7E	4578	Q225	CR7EIX	7385
<b>XC 125 X Flame X</b>		125	1	2004-2006		0.6	CR7E	4578	Q225	CR7EIX	7385
<b>X-Over</b>		125	1	2010-		0.9	CPR9EA-9	2308		CPR9EAIX-9	97673
<b>X-Over</b>		125	1	2010-	9hp	0.9	CPR9EAIX9**	97673			
<b>Vertex 150</b>		150	1	-		0.7	CR7E	4578	Q225	CR7EIX	7385
<b>Skyliner 180</b>		180	1	2003-		0.8	CR8E	4854	Q226	CR8EIX	4218
<b>Skyliner 250</b>		250	1	-		0.5	B8ES	2411	Q201	BR8EIX	5044
<b>Kilibre 300</b>		300	1	2003-		0.9	DR8EA	7162		DR8EIX	6681
<b>350 E</b>		350	3	-		0.5	B8ES	2411	Q201	BR8EIX	5044
<b>350 Injection</b>		350	3	-		0.5	B8ES	2411	Q201	BR8EIX	5044
<b>Skyliner 400</b>		400	1	2004-		0.7	CR7E	4578	Q225	CR7EIX	7385

**METEORIT**

<b>Cruiser 125</b>		125	1	-		0.7	DR8EA	7162		DR8EIX	6681
--------------------	--	-----	---	---	--	-----	-------	------	--	--------	------

**MIDWEST**

<b>JC50Q-9</b>		50	1	2000-		0.7	CR6HSA	2983		CR6HIX	7274
<b>JC70Y</b>		70	1	2000-		0.7	CR6HSA	2983		CR6HIX	7274
<b>JS70Y</b>		70	1	2000-		0.7	CR6HSA	2983		CR6HIX	7274
<b>JS90Y</b>		90	1	2000-		0.7	CR6HSA	2983		CR6HIX	7274
<b>JC150Y</b>		150	1	2000-		0.7	DR7EA	7839		DR7EIX	5686
<b>JS200Y</b>		200	1	2000-		0.7	DR7EA	7839		DR7EIX	5686

**MINARELLI**

<b>50 Cross</b>		50	1	-		0.5	BR10EIX**	6801			
<b>50 Trial</b>		50	1	-		0.5	BR10EIX**	6801			
<b>A</b>		50	1	-		0.5	B6HS	4510		BR6HIX	3419
<b>C2</b>		50	1	-	14mm Thread Size / 19mm Thread Reach	0.5	B6ES	7310			
<b>C2</b>		50	1	-	14mm Thread Size / 12,7mm Thread Reach	0.5	B6HS	4510		BR6HIX	3419
<b>C3KS</b>		50	1	-		0.5	B6ES	7310			
<b>C3PK</b>		50	1	-	14mm Thread Size / 19mm Thread Reach	0.5	B6ES	7310			
<b>C3PK</b>		50	1	-	14mm Thread Size / 12,7mm Thread Reach	0.5	B6HS	4510		BR6HIX	3419
<b>E</b>		50	1	-		0.5	B6HS	4510		BR6HIX	3419
<b>E2</b>		50	1	-	14mm Thread Size / 19mm Thread Reach	0.5	B6ES	7310			
<b>E2</b>		50	1	-	14mm Thread Size / 12,7mm Thread Reach	0.5	B6HS	4510		BR6HIX	3419
<b>G1</b>		50	1	-	14mm Thread Size / 19mm Thread Reach	0.5	B6ES	7310			
<b>G1</b>		50	1	-	14mm Thread Size / 12,7mm Thread Reach	0.5	B6HS	4510		BR6HIX	3419
<b>H3</b>		50	1	-		0.5	B6HS	4510		BR6HIX	3419
<b>P3A</b>		50	1	-		0.5	B6HS	4510		BR6HIX	3419
<b>P3N</b>		50	1	-		0.5	B6HS	4510		BR6HIX	3419
<b>P3S</b>		50	1	-		0.5	B6HS	4510		BR6HIX	3419
<b>P4</b>		50	1	-		0.5	B6HS	4510		BR6HIX	3419
<b>P4CS</b>		50	1	-		0.5	B7ES	1111		BR7EIX	6664
<b>P4CSA</b>		50	1	-		0.5	B7ES	1111		BR7EIX	6664
<b>P4E</b>		50	1	-		0.5	B6HS	4510		BR6HIX	3419

\*Bitte Elektrodenabstand nach Angaben des Herstellers justieren

\*Please adjust the ground electrode gap

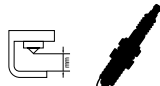
\*Veuillez vérifier l'écartement

\* Por favor, ajustar la distancia entre los electrodos

\*Regolare il gap

\* Iridium IX Spark Plug is the standard recommendation





Stock No.

Quick No.

Upgrade ↑

Stock No. ↑

**MINARELLI**

P4R		50	1	-		0.5	B7ES	1111		BR7EIX	6664
P6		50	1	-		0.5	B6HS	4510		BR6HIX	3419
P 6 Competizione		50	1	-		0.5	BR10EIX**	6801			
P6CS		50	1	-		0.5	B7ES	1111		BR7EIX	6664
P6CSA		50	1	-		0.5	B7ES	1111		BR7EIX	6664
P6R		50	1	-		0.5	B7ES	1111		BR7EIX	6664
P 6 Super		50	1	-		0.5	B8HS	5510		BR8HIX	7001
RV4		50	1	-		0.5	B7ES	1111		BR7EIX	6664
RV4 A		50	1	-		0.5	B7ES	1111		BR7EIX	6664
V1		50	1	-	14mm Thread Size / 19mm Thread Reach	0.5	B6ES	7310			
V1		50	1	-	14mm Thread Size / 12,7mm Thread Reach	0.5	B6HS	4510		BR6HIX	3419
V1A		50	1	-	14mm Thread Size / 19mm Thread Reach	0.5	B6ES	7310			
V1A		50	1	-	14mm Thread Size / 12,7mm Thread Reach	0.5	B6HS	4510		BR6HIX	3419
V1H		50	1	-		0.5	B6HS	4510		BR6HIX	3419
V1HLE		50	1	-		0.5	B6HS	4510		BR6HIX	3419
V1KS		50	1	-	14mm Thread Size / 19mm Thread Reach	0.5	B6ES	7310			
V1KS		50	1	-	14mm Thread Size / 12,7mm Thread Reach	0.5	B6HS	4510		BR6HIX	3419
V1L		50	1	-		0.5	B6HS	4510		BR6HIX	3419
V2		50	1	-	14mm Thread Size / 19mm Thread Reach	0.5	B6ES	7310			
V2		50	1	-	14mm Thread Size / 12,7mm Thread Reach	0.5	B6HS	4510		BR6HIX	3419
VIP		50	1	-	14mm Thread Size / 19mm Thread Reach	0.5	B6ES	7310			
VIP		50	1	-	14mm Thread Size / 12,7mm Thread Reach	0.5	B6HS	4510		BR6HIX	3419
W3 QM		60	1	-		0.5	B6HS	4510		BR6HIX	3419
Trial		75	1	-		0.5	B9EG	3530			
MR 6		80	1	-		0.5	BR10EIX**	6801			
MR 6/80		80	1	-		0.5	BR10EIX**	6801			
P 680		80	1	-		0.5	B6HS	4510		BR6HIX	3419
125		125	1	-		0.5	B8ES	2411	Q201	BR8EIX	5044
125/5		125	1	-		0.5	B8ES	2411	Q201	BR8EIX	5044
125/5 Cross		125	1	-		0.5	BR10EIX**	6801			
125/5 Regolarità		125	1	-		0.5	BR10EIX**	6801			
125 Cross		125	1	-		0.5	BR10EIX**	6801			
125 Regolarità		125	1	-		0.5	BR10EIX**	6801			
125 YPVS		125	1	-	YAMAHA	0.5	B8ES	2411	Q201	BR8EIX	5044

**MINSK**

MMB3-3		125	1	-		0.7	BP7HS	5111		BPR7HIX	5944
MMB3-3.112		125	1	-	10hp	0.7	BP7HS	5111		BPR7HIX	5944
MMB3-3.113		125	1	-	10hp	0.7	BP7HS	5111		BPR7HIX	5944
MMB3-3.1131		125	1	-	10hp	0.7	BP7HS	5111		BPR7HIX	5944
MMB3-3.11311		125	1	-	10hp	0.7	BP7HS	5111		BPR7HIX	5944
Mototeleschka C-3.901		125	1	-	10hp	0.7	BP7HS	5111		BPR7HIX	5944

**MONDIAL**

Piega VTR 1000 SP		1000	2	2003-		1.1	FR9BI-11	4709			
-------------------	--	------	---	-------	--	-----	----------	------	--	--	--

\*Bitte Elektrodenabstand nach Angaben des Herstellers justieren

\*Please adjust the ground electrode gap

\*Veuillez vérifier l'écartement

\* Por favor, ajustar la distancia entre los electrodos

\*Regolare il gap

\*\* Iridium IX Spark Plug is the standard recommendation





Stock No.

Quick No.

Upgrade ↑

Stock No. ↑

**MONTESA**

<b>Brio</b>		50	1	-		0.5	B7HS	5110		BR7HIX	7067
<b>Cappra 250 VR</b>		250	1	-		0.5	B9ES	2611	Q202	BR9EIX	3981
<b>Cota 315</b>		250	1	1997-1999	HONDA	0.6	BR6ES	4922			
<b>Cota 4RT</b>		250	1	2005-		0.6	CR6EH-9	2688			
<b>Cota 4RT</b>		250	1	2009-		0.9	CR6EH-9	2688			
<b>Cota 4RT Repsol</b>		250	1	2009-		0.9	CR6EH-9	2688			
<b>Cota 311</b>		260	1	-		0.6	BPR5ES	7422		BPR5EIX	6597
<b>315R</b>		315	1	1997-		0.8	BR6ES	4922			

**MOPEX**

<b>S 2200</b>		49	1	2006-		0.7	BR6HS	4200		BR6HIX	3419
<b>S 3800</b>		49	1	2006-		0.7	BR6HS	4200		BR6HIX	3419
<b>S 4800</b>		49	1	2006-		0.7	BR6HS	4200		BR6HIX	3419

**MOTO GUZZI MC**

<b>Magnum</b>		50	1	-		0.5	B6ES	7310			
<b>Nevada Club</b>		350	2	1998-1999		0.7	BR8ES	5422	Q207	BR8EIX	5044
<b>Nevada NT</b>		350	2	1992-1994		0.6	B8ES	2411	Q201	BR8EIX	5044
<b>Nevada NT</b>		350	2	1994-1997		0.7	BR8ES	5422	Q207	BR8EIX	5044
<b>V 350 Nevada</b>		350	2	1992-		0.6	B8ES	2411	Q201	BR8EIX	5044
<b>750 SP</b>		750	2	1992-		0.6	B8ES	2411	Q201	BR8EIX	5044
<b>750 Targa</b>		750	2	1992-		0.6	B8ES	2411	Q201	BR8EIX	5044
<b>Breva 750</b>		750	2	-		0.6	BR8ES	5422	Q207	BR8EIX	5044
<b>Breva 750 Naked</b>		750	2	2003-		0.6	BR8ES	5422	Q207	BR8EIX	5044
<b>Breva 750 Touring</b>		750	2	2006-		0.6	BR8ES	5422	Q207	BR8EIX	5044
<b>Nevada 750 Anniversario</b>		750	2	2012-		0.9	CPR8EB-9	6607			
<b>Nevada 750 Aquila Nera</b>		750	2	2010-		0.6	BR8ES	5422	Q207	BR8EIX	5044
<b>Nevada 750 Base-Club</b>		750	2	2002-2003		0.6	BR8ES	5422	Q207	BR8EIX	5044
<b>Nevada 750 Basic</b>		750	2	1992-		0.6	B8ES	2411	Q201	BR8EIX	5044
<b>Nevada 750 Classic Anniversario</b>		750	2	2010-2011		0.6	BR8ES	5422	Q207	BR8EIX	5044
<b>Nevada 750 Classic ie</b>		750	2	2004-		0.6	BR8ES	5422	Q207	BR8EIX	5044
<b>Nevada 750 Club</b>		750	2	1998-2001		0.6	BR8ES	5422	Q207	BR8EIX	5044
<b>Nevada 750 NT</b>		750	2	1993-1994		0.6	B8ES	2411	Q201	BR8EIX	5044
<b>Nevada 750 NT</b>		750	2	1994-1997		0.7	BR8ES	5422	Q207	BR8EIX	5044
<b>V 7</b>		750	2	2012-		0.9	CPR8EB-9	6607			
<b>V 75</b>		750	2	1992-		0.6	B8ES	2411	Q201	BR8EIX	5044
<b>V 750 NTX</b>		750	2	1992-		0.6	B8ES	2411	Q201	BR8EIX	5044
<b>V 750 Polizia NT</b>		750	2	1992-		0.6	B8ES	2411	Q201	BR8EIX	5044
<b>V 75 Nevada</b>		750	2	1992-		0.6	B8ES	2411	Q201	BR8EIX	5044
<b>V 7 Café Classic</b>		750	2	2009-		0.6	BR8ES	5422	Q207	BR8EIX	5044
<b>V 7 Café Racer</b>		750	2	2010-2011	14mm Thread Size / 19mm Thread Reach	0.6	BR8ES	5422	Q207	BR8EIX	5044
<b>V 7 Café Racer</b>		750	2	2011-	10mm Thread Size / 19mm Thread Reach	0.9	CPR8EB-9	6607			
<b>V 7 Classic</b>		750	2	2008-		0.6	BR8ES	5422	Q207	BR8EIX	5044
<b>V 7 Racer</b>		750	2	2010-2011		0.6	BR8ES	5422	Q207	BR8EIX	5044
<b>V 7 Racer</b>		750	2	2012-		0.9	CPR8EB-9	6607			
<b>V 7 Special</b>		750	2	2012-		0.9	CPR8EB-9	6607			
<b>V 7 Stone</b>		750	2	2012-		0.9	CPR8EB-9	6607			
<b>V Breva 750 i.e</b>		750	2	2004-		0.6	BPR6ES	7822		BPR6EIX	6637
<b>Griso 850</b>		850	2	2006-		0.8	BPR6ES	7822		BPR6EIX	6637
<b>Breva 850</b>		877	2	2006-		0.8	BPR6ES	7822		BPR6EIX	6637

\* Bitte Elektrodenabstand nach Angaben des Herstellers justieren

\* Please adjust the ground electrode gap

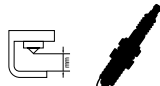
\* Veuillez vérifier l'écartement

\* Por favor, ajustar la distancia entre los electrodos

\* Regolare il gap

\* Iridium IX Spark Plug is the standard recommendation





Stock No.

Quick No.

Upgrade ↑

Stock No. ↑

**MOTO GUZZI MC**

Breva 850		877	2	2006-	Twin Spark	0.7	BPR6ES PMR8B	7822 6378		BPR6EIX	6637
Norge 850		877	2	2006-		0.8	BPR6ES	7822		BPR6EIX	6637
Bellagio 940		936	2	2011-		0.6	BPR6ES	7822		BPR6EIX	6637
Bellagio 940		940	2	2007-	Twin Spark	0.7	BPR6ES PMR8B	7822 6378		BPR6EIX	6637
Bellagio 940 Aquila Nera		940	2	2010-	Twin Spark	0.7	BPR6ES PMR8B	7822 6378		BPR6EIX	6637
1000		1000	2	-		0.6	BP6ES	7811		BPR6EIX	6637
California 1000 Carbu		1000	2	1994-1997		0.7	BPR6ES	7822		BPR6EIX	6637
California 1000 Inj.		1000	2	1994-1997		0.7	BPR6ES	7822		BPR6EIX	6637
Daytona 1000		1000	2	1992-		0.6	D9EA	2420		DR9EIX	4772
Daytona 1000 Racing		1000	2	1996-1996		0.7	D9EA	2420		DR9EIX	4772
Daytona 1000 RS		1000	2	1997-1998		0.7	DR9EA	3437	Q219	DR9EIX	4772
Quota 1000		1000	2	1992-		0.6	BPR7ES	2023		BPR7EIX	4055
Quota 1000 I.E.		1000	2	-		0.7	BPR8ES	5170	Q213	BPR8EIX	6684
T 5 Polizia		1000	2	1992-		0.6	BP6ES	7811		BPR6EIX	6637
V 10 Centauro		1000	2	1996-		0.7	DR9EA	3437	Q219	DR9EIX	4772
V 10 Centauro		1000	2	1997-1999		0.7	DR9EA	3437	Q219	DR9EIX	4772
V 10 Centauro GT		1000	2	1996-		0.7	DR9EA	3437	Q219	DR9EIX	4772
V 10 Centauro Sport		1000	2	1996-		0.7	DR9EA	3437	Q219	DR9EIX	4772
1100 Sport		1100	2	1996-		0.6	BPR6ES	7822		BPR6EIX	6637
Breva 1100		1100	2	2006-	Twin Spark	0.6	BPR6ES PMR8B	7822 6378		BPR6EIX	6637
California 1100 Aluminium		1100	2	2003-		0.6	BPR6ES	7822		BPR6EIX	6637
California 1100 Aquila Nera		1100	2	2010-	Twin Spark	0.6	BPR6ES PMR8B	7822 6378		BPR6EIX	6637
California 1100 Carb		1100	2	1994-1997		0.6	BPR6ES	7822		BPR6EIX	6637
California 1100 Classic		1100	2	2007-	Twin Spark	0.6	BPR6ES PMR8B	7822 6378		BPR6EIX	6637
California 1100 EV		1100	2	1997-2005		0.6	BPR6ES	7822		BPR6EIX	6637
California 1100 EV Touring		1100	2	2001-2002		0.7	BPR6ES	7822		BPR6EIX	6637
California 1100 Inj		1100	2	1994-1997		0.6	BPR6ES	7822		BPR6EIX	6637
California 1100 Jackal		1100	2	1999-2001		0.6	BPR6ES	7822		BPR6EIX	6637
California 1100 KC		1100	2	1994-		0.6	BPR6ES	7822		BPR6EIX	6637
California 1100 KD		1100	2	1994-		0.6	BPR6ES	7822		BPR6EIX	6637
California 1100 Special		1100	2	1994-1997		0.6	BPR6ES	7822		BPR6EIX	6637
California 1100 Special		1100	2	2002-		0.6	BPR6ES	7822		BPR6EIX	6637
California 1100 Special Sport		1100	2	2002-	73hp	0.6	BPR6ES	7822		BPR6EIX	6637
California 1100 Stone		1100	2	-	73hp	0.6	BPR6ES	7822		BPR6EIX	6637
California 1100 Stone Metal		1100	2	2001-2002		0.7	BPR6ES	7822		BPR6EIX	6637
California 1100 Stone Touring		1100	2	2003-2004		0.7	BPR6ES	7822		BPR6EIX	6637
California 1100 Titanium		1100	2	2003-		0.6	BPR6ES	7822		BPR6EIX	6637
California 1100 Touring		1100	2	2006-2006	Twin Spark	0.7	BPR6ES	7822		BPR6EIX	6637
California 1100 Touring		1100	2	2006-2006	Twin Spark	0.6	PMR8B	6378			
California 1100 Vintage		1100	2	2007-	Twin Spark	0.7	BPR6ES	7822		BPR6EIX	6637
California 1100 Vintage		1100	2	2007-	Twin Spark	0.6	PMR8B	6378			
California 1100 Vintage 90ième Anniversaire		1100	2	2011-	Twin Spark	0.7	BPR6ES PMR8B	7822 6378		BPR6EIX	6637
Daytona 1100 RS		1100	2	1996-		0.7	DR8EA	7162		DR8EIX	6681
Griso 1100		1100	2	2005-	Twin Spark	0.7	BPR6ES PMR8B	7822 6378		BPR6EIX	6637
Quota 1100		1100	2	1998-		0.6	BPR6ES	7822		BPR6EIX	6637
Quota ES		1100	2	1998-2002		0.6	BPR6ES	7822		BPR6EIX	6637

\* Bitte Elektrodenabstand nach Angaben des Herstellers justieren

\* Please adjust the ground electrode gap

\* Veuillez vérifier l'écartement

\* Por favor, ajustar la distancia entre los electrodos

\* Regolare il gap

\*\* Iridium IX Spark Plug is the standard recommendation





Stock No.

Quick No.

Upgrade ↑

Stock No. ↑

**MOTO GUZZI MC**

Quota I.E.		1100	2	1998-2002		0.6	BPR6ES	7822		BPR6EIX	6637
Sport 1100		1100	2	1994-1995		0.7	BP6ES	7811		BPR6EIX	6637
Sport 1100		1100	2	1995-		0.6	BPR6ES	7822		BPR6EIX	6637
Sport 1100i		1100	2	1996-		0.6	BPR6ES	7822		BPR6EIX	6637
Stone 1100 Touring		1100	2	2003-		0.6	BPR6ES	7822		BPR6EIX	6637
V 11		1100	2	2005-	Twin Spark	0.7	BPR6ES PMR8B	7822 6378		BPR6EIX	6637
V 11 Ballabio		1100	2	2003-2005		0.7	BPR6ES	7822		BPR6EIX	6637
V 11 Cafe Sport		1100	2	2003-2005		0.7	BPR6ES	7822		BPR6EIX	6637
V 11 Coppa Italia		1100	2	2003-2004		0.7	BPR6ES	7822		BPR6EIX	6637
V 11 Le Mans		1100	2	-		0.6	BPR6ES	7822		BPR6EIX	6637
V 11 Le Mans Nero Corsa		1100	2	2004-	91hp	0.6	BPR6ES	7822		BPR6EIX	6637
V 11 Naked		1100	2	2003-		0.6	BPR6ES	7822		BPR6EIX	6637
V 11 Rosso Mandello		1100	2	1999-		0.6	BPR6ES	7822		BPR6EIX	6637
V 11 Scura		1100	2	2003-		0.6	BPR6ES	7822		BPR6EIX	6637
V 11 Scura R		1100	2	2004-2005		0.7	BPR6ES	7822		BPR6EIX	6637
V 11 Sport		1100	2	1999-		0.6	BPR6ES	7822		BPR6EIX	6637
V 11 Sport Ballado		1100	2	2003-		0.6	BPR6ES	7822		BPR6EIX	6637
V 11 Sport IE		1100	2	1995-1999		0.6	BPR6ES	7822		BPR6EIX	6637
V 11 Sport IE Corsa		1100	2	1995-1999		0.6	BPR6ES	7822		BPR6EIX	6637
1200 Sport		1200	2	2007-2009	Twin Spark	0.7	BPR6ES PMR8B	7822 6378		BPR6EIX	6637
1200 Sport 4V		1200	2	2009-		0.7	CR8EKB	4374			
Breva 1200		1200	2	2008-	Twin Spark	0.7	BPR6ES PMR8B	7822 6378		BPR6EIX	6637
Griso 1200 8V		1200	2	2008-		0.7	PMR8B	6378			
Griso 1200 8V Special Edition		1200	2	2009-		0.7	CR8EKB	4374			
Griso 8V 1200 SE		1200	2	2009-		0.7	PMR8B	6378			
Norge GT 1200		1200	2	2006-2009	Twin Spark	0.7	BPR6ES PMR8B	7822 6378		BPR6EIX	6637
Norge GT 8V		1200	2	2009-		0.7	CR8EKB	4374			
Sport 1200 8V		1200	4	2008-		0.7	PMR8B	6378			
Stelvio 1200		1200	2	2008-		*	CR8EKB	4374			
Stelvio 1200 4V		1200	2	2008-		0.7	PMR8B	6378			
Stelvio 1200 NTX		1200	2	2009-		0.7	CR8EKB	4374			
Stelvio 1200 TT (NTX)		1200	2	2009-		0.7	PMR8B	6378			
MGS Café Sport		1225	2	2004-		0.7	D10EA	2720			
MGS 01		1250	2	2004-		*	DCPR9EIX**	2316			
California		1400	2	2013-	Twin Spark	0.9	LMAR8F-9	90894			

**MOTO MORINI**

350 Excalibur		350	2	1992-		0.5	BPR7ES	2023		BPR7EIX	4055
501 Excalibur		501	2	1992-		0.5	BPR7ES	2023		BPR7EIX	4055
9½		1187	2	2006-		0.7	CR9E	6263	Q227	CR9EIX	3521
Corsaro 1200		1200	2	2005-		0.7	CR9E	6263	Q227	CR9EIX	3521

**MOTOR HISPANIA**

50SL		50	1	-		0.5	B6ES	7310			
Cangurito 50 Cross		50	1	-		0.5	B6HS	4510		BR6HIX	3419
Cangurito 50 MH		50	1	-		0.5	B6HS	4510		BR6HIX	3419
Cross		50	1	-		0.5	B6HS	4510		BR6HIX	3419
Feria		50	1	-		0.5	B6ES	7310			
Furia		50	1	1999-	14mm Thread Size / 12,7mm Thread Reach	0.6	BPR7HS	6422		BPR7HIX	5944

\* Bitte Elektrodenabstand nach Angaben des Herstellers justieren

\* Please adjust the ground electrode gap

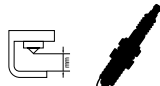
\* Veuillez vérifier l'écartement

\* Por favor, ajustar la distancia entre los electrodos

\* Regolare il gap

\* Iridium IX Spark Plug is the standard recommendation





Stock No.

Quick No.

Upgrade ↑

Stock No. ↑

**MOTOR HISPANIA**

<b>Furia</b>		50	1	1999-	14mm Thread Size / 19mm Thread Reach	0.6	BR9ES	5722		BR9EIX	3981
<b>Furia 50 4v</b>		50	1	-		0.8	BR9ES	5722		BR9EIX	3981
<b>Furia 50 6v Cross</b>		50	1	-		0.8	BR9ES	5722		BR9EIX	3981
<b>Furia 50 6v Super</b>		50	1	-		0.8	BR9ES	5722		BR9EIX	3981
<b>Furia Cross</b>		50	1	1999-	14mm Thread Size / 12,7mm Thread Reach	0.6	BPR7HS	6422		BPR7HIX	5944
<b>Furia Cross</b>		50	1	1999-	14mm Thread Size / 19mm Thread Reach	0.6	BR9ES	5722		BR9EIX	3981
<b>GT 81</b>		50	1	-		0.5	B6HS	4510		BR6HIX	3419
<b>Jabato</b>		50	1	-		0.5	B6ES	7310			
<b>M 80 Automatico</b>		50	1	-		0.5	B6ES	7310			
<b>MH</b>		50	1	-		0.5	B6HS	4510		BR6HIX	3419
<b>MH49</b>		50	1	-		0.5	B6HS	4510		BR6HIX	3419
<b>MH 80</b>		50	1	-		0.5	B6HS	4510		BR6HIX	3419
<b>Minicross 50</b>		50	1	-		0.5	B7HS	5110		BR7HIX	7067
<b>Racing 50 RX</b>		50	1	-		0.8	BR9ES	5722		BR9EIX	3981
<b>RYZ 50 Cross</b>		50	1	-		0.6	BR9ES	5722		BR9EIX	3981
<b>RYZ 50 Supermoto</b>		50	1	-		0.6	BR9ES	5722		BR9EIX	3981
<b>Sport 49</b>		50	1	-		0.5	B6HS	4510		BR6HIX	3419
<b>Style 50</b>		50	1	-		0.5	B7HS	5110		BR7HIX	7067
<b>Duna 125 SM</b>		125	1	2007-		0.7	CR6HSA	2983		CR6HIX	7274
<b>Duna 125 SX</b>		125	1	2007-		0.7	CR6HSA	2983		CR6HIX	7274
<b>MH7 125</b>		125	1	2010-		0.7	CR6HSA	2983		CR6HIX	7274
<b>RYZ 125</b>		125	1	-		0.6	CR7HSA	4549		CR7HIX	7544

**MOTO ROMA**

<b>Bee 50</b>		50	1	-		0.6	BPR7HS	6422		BPR7HIX	5944
<b>GoGo 50</b>		50	1	-		0.6	BPR7HS	6422		BPR7HIX	5944
<b>Grand Prix 50</b>		50	1	-		0.6	BPR7HS	6422		BPR7HIX	5944
<b>MRX1</b>		50	1	-		0.6	B8HS	5510		BR8HIX	7001
<b>MRX2</b>		50	1	-		0.6	B8HS	5510		BR8HIX	7001
<b>MRX2 Sprint</b>		50	1	2002-		0.6	B7HS	5110		BR7HIX	7067
<b>MRX3</b>		50	1	2002-		0.6	B6HS	4510		BR6HIX	3419
<b>MRX3 Sprint</b>		50	1	2002-		0.6	B7HS	5110		BR7HIX	7067
<b>MRX4</b>		50	1	2003-		0.7	BR10ES	4832		BR10EIX	6801
<b>Roadrunner 50</b>		50	1	-		0.6	BP7HS	5111		BPR7HIX	5944
<b>RT 50</b>		50	1	-		0.6	BPR7HS	6422		BPR7HIX	5944
<b>Scrambler 50</b>		50	1	-		0.6	BPR7HS	6422		BPR7HIX	5944
<b>Stinger 50</b>		50	1	-		0.6	BPR7HS	6422		BPR7HIX	5944
<b>Stinger 50 II</b>		50	1	-		0.6	BPR7HS	6422		BPR7HIX	5944
<b>Wasp 50</b>		50	1	-		0.6	BPR7HS	6422		BPR7HIX	5944
<b>Wasp 50 II</b>		50	1	-		0.6	BPR7HS	6422		BPR7HIX	5944
<b>RT 90</b>		90	1	2002-		0.6	BPR7HS	6422		BPR7HIX	5944
<b>Grand Prix 100</b>		100	1	-		0.6	BPR7HS	6422		BPR7HIX	5944
<b>Roadrunner 100</b>		100	1	-		0.6	BPR7HS	6422		BPR7HIX	5944
<b>GoGo 110</b>		110	1	-		0.6	CR7HS	7223		CR7HIX	7544
<b>Grand Prix 125</b>		125	1	-	Italy	0.6	CR7HS	7223		CR7HIX	7544
<b>MRX 125</b>		125	1	2002-		0.6	D8EA	2120	Q216	DR8EIX	6681
<b>MRX 125 B</b>		125	1	-	Italy	0.6	CR7HSA	4549		CR7HIX	7544
<b>Road Runner 125</b>		125	1	-		0.6	C7HSA	4629		CR7HIX	7544
<b>SK125</b>		125	1	2010-	Italy	0.6	DR8EA	7162		DR8EIX	6681
<b>SMX 125</b>		125	1	-		0.6	CR7HSA	4549		CR7HIX	7544
<b>Virage 125</b>		125	1	-	Italy	0.6	D8EA	2120	Q216	DR8EIX	6681

\*Bitte Elektrodenabstand nach Angaben des Herstellers justieren

\*Please adjust the ground electrode gap

\*Veuillez vérifier l'écartement

\* Por favor, ajustar la distancia entre los electrodos

\*Regolare il gap

\*\* Iridium IX Spark Plug is the standard recommendation





Stock No.

Quick No.

Upgrade ↑

Stock No. ↑

**MOTOR TEK**

<b>MT 50</b>		50	1	2005-		0.5	BR8HSA	5539			
--------------	--	----	---	-------	--	-----	--------	------	--	--	--

**MOTO-SPEZIAL**

<b>Bassa-Lunga</b>		1100	2	1999-		0.8	BP6ES	7811		BPR6EIX	6637
<b>Sportiva 1100i</b>		1100	2	1999-		0.8	BP6ES	7811		BPR6EIX	6637

**MOTOTECHNIKA**

<b>Tricycle</b>	ZID-50	50	1	1998-		0.6	BP7HS	5111		BPR7HIX	5944
-----------------	--------	----	---	-------	--	-----	-------	------	--	---------	------

**MOTRON**

<b>Spike 50</b>		50	1	-		0.6	BR7HS	4737		BR7HIX	7067
<b>Sting 50</b>		50	1	1996-		0.6	BR7HS	4737		BR7HIX	7067
<b>Syncro 50</b>		50	1	-		0.6	BR7HS	4737		BR7HIX	7067
<b>Thunder 50</b>		50	1	1996-		0.6	BR7HS	4737		BR7HIX	7067
<b>Thunder S 50</b>		50	1	-		0.6	BR7HS	4737		BR7HIX	7067

**MS**

<b>Sprite</b>		50	1	-		0.7	BP6ES	7811		BPR6EIX	6637
<b>Steward</b>		50	1	-		0.7	BP6ES	7811		BPR6EIX	6637

**MSA**

<b>MX</b>		50	1	-		0.5	BR8HSA	5539			
<b>RC</b>		50	1	1999-		0.6	BR8ES	5422	Q207	BR8EIX	5044
<b>RC SM</b>		50	1	1999-		0.6	BR8ES	5422	Q207	BR8EIX	5044
<b>RC Trophy Yacco</b>		50	1	2000-		0.6	BR8ES	5422	Q207	BR8EIX	5044
<b>RSE</b>		50	1	1999-		0.6	BR8ES	5422	Q207	BR8EIX	5044
<b>RTW</b>		50	1	2000-		0.6	BR8ES	5422	Q207	BR8EIX	5044
<b>SM</b>		50	1	2001-		0.6	BR8ES	5422	Q207	BR8EIX	5044

**MV AGUSTA**

<b>Brutale 675</b>		675	3	2012-		0.7	CR9EKB	2305			
<b>F3 675</b>		675	3	2012-		0.7	CR9EKB	2305			
<b>F3 675 RC</b>		675	3	-		0.7	CR9EKB	2305			
<b>F3 675 Serie Oro</b>		675	3	2012-		0.7	CR9EKB	2305			
<b>F4</b>		750	4	1999-2004	track/race use only	1.1	R0045Q-10	4216			
<b>F4 750 Brutale (oro)</b>		750	4	1999-	126hp	0.7	CR9EKB	2305			
<b>F4 750 Brutale S</b>		750	4	2002-		0.7	CR9EKB	2305			
<b>F4 750 Oro</b>		750	4	1999-		0.7	CR9EB	6955			
<b>F4 750 Oro</b>	VIN.No >300	750	4	1999-		0.7	CR9EKB	2305			
<b>F4 750 Oro S</b>		750	4	1999-		0.7	CR9EB	6955			
<b>F4 750 S 1+1 Biposto</b>		750	4	2000-		0.7	CR9EB	6955			
<b>F4 750 S American</b>		750	4	-		0.5	B7ES	1111		BR7EIX	6664
<b>F4 750 Senna</b>		750	4	1999-	140hp	0.7	CR9EKB	2305			
<b>F4 750 S SPR</b>		750	4	1999-	140hp	0.7	CR9EKB	2305			
<b>Brutale 800</b>		800	3	2012-		0.9	CR9EIB-9	92579			
<b>Dragster 800</b>		800	3	2013-		0.9	CR9EIB-9	92579			
<b>F3 800</b>		800	3	2013-	148hp	0.9	CR9EIB-9	92579			
<b>Rivale 800</b>		800	3	2013-	110hp	0.9	CR9EIB-9	92579			
<b>RVS#1</b>		800	3	-		0.9	CR9EIB-9	92579			
<b>Turismo Veloce 800</b>		800	3	2013-	110hp	0.9	CR9EIB-9	92579			
<b>Brutale 910 S</b>		910	4	2005-2008		0.8	CR9EKB	2305			
<b>F4 Brutale 910</b>		910	4	2005-		0.7	CR9EB	6955			
<b>F4 Brutale 910 R</b>		910	4	2006-		0.7	CR9EB	6955			
<b>Brutale 920</b>		921	4	2011-		0.7	CR9EB	6955			
<b>Brutale 989 R</b>		989	4	2008-		0.7	CR9EB	6955			

\*Bitte Elektrodenabstand nach Angaben des Herstellers justieren

\*Please adjust the ground electrode gap

\*Veuillez vérifier l'écartement

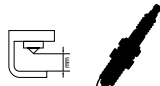
\* Por favor, ajustar la distancia entre los electrodos

\*Regolare il gap

\* Iridium IX Spark Plug is the standard recommendation







Stock No.

Quick No.

Upgrade ↑

Stock No. ↑

**MV AGUSTA**

<b>Brutale 990 R</b>		998	4	2010-		0.7	CR9EB	6955			
<b>F4 1000</b>		1000	4	2013-	195hp	0.7	CR9EB	6955			
<b>F4 1000 LH44</b>		1000	4	-		0.7	CR9EB	6955			
<b>F4 1000 R</b>		1000	4	2008-		0.7	CR9EB	6955			
<b>F4 1000 RC</b>		1000	4	2015-		0.7	CR9EB	6955			
<b>F4 1000 RR</b>		1000	4	2012-	205hp	0.7	CR9EB	6955			
<b>F4 1000 S</b>		1000	4	2004-		1.1	R0045Q-10	4216			
<b>F4 1000 Senna</b>		1000	4	2006-		1.1	R0045Q-10	4216			
<b>F4 1000 Tamburini</b>		1000	4	2004-		1.1	R0045Q-10	4216			
<b>Brutale 1078 RR</b>		1078	4	2008-		0.7	CR9EB	6955			
<b>Brutale 1090 R</b>		1078	4	2010-		0.7	CR9EB	6955			
<b>Brutale 1090 RR</b>		1078	4	2010-		0.7	CR9EB	6955			
<b>Brutale 1090</b>		1090	4	2012-		0.7	CR9EB	6955			
<b>Brutale 1090 R</b>		1090	4	2012-		0.7	CR9EB	6955			
<b>F4 1078 RR</b>		1100	4	2008-		0.7	CR9EB	6955			

**MZ**

<b>Moskito 50 RX</b>		50	1	2002-	not Europe	0.6	BPR6HS	7022		BPR6HIX	4085
<b>Moskito 50 RX</b>		50	1	2002-	Europe	0.6	BR8HSA	5539			
<b>Moskito 50 SX</b>	CP150C	50	1	1999-		0.6	BR7HS	4737		BR7HIX	7067
<b>Moskito FB 50</b>		50	1	1997-		0.6	BR7HS	4737		BR7HIX	7067
<b>125 Fun X</b>		125	1	2001-		0.7	CR8E	4854	Q226	CR8EIX	4218
<b>125 Fun X</b>		125	1	2003-		0.6	CR8E	4854	Q226	CR8EIX	4218
<b>125 SM</b>		125	1	2001-		0.7	CR8E	4854	Q226	CR8EIX	4218
<b>125 SX</b>		125	1	2001-		0.7	CR8E	4854	Q226	CR8EIX	4218
<b>125 Younster Cup</b>		125	1	2003-		0.6	CR8E	4854	Q226	CR8EIX	4218
<b>Cup Replica 125 SM</b>		125	1	2005-		0.6	CR8E	4854	Q226	CR8EIX	4218
<b>Gangata 125 SM</b>		125	1	2005-		0.6	CR8E	4854	Q226	CR8EIX	4218
<b>Moskito 125</b>		125	1	2001-		0.6	CR7HSA	4549		CR7HIX	7544
<b>RT 125</b>		125	1	2000-		0.6	CR8E	4854	Q226	CR8EIX	4218
<b>RT 125 Classic</b>		125	1	2003-		0.6	CR8E	4854	Q226	CR8EIX	4218
<b>RT 125 SM</b>		125	1	2000-		0.6	CR8E	4854	Q226	CR8EIX	4218
<b>Saxon Roadstar</b>		125	1	-	10hp	0.6	B8HS	5510		BR8HIX	7001
<b>Saxon Sportstar</b>		125	1	-	15hp	0.6	B8HS	5510		BR8HIX	7001
<b>Saxon Sportstar</b>		125	1	-	10hp	0.6	B8HS	5510		BR8HIX	7001
<b>SM 125</b>		125	1	2001-		0.7	CR8E	4854	Q226	CR8EIX	4218
<b>Striker 125 RT</b>		125	1	2005-		0.6	CR8E	4854	Q226	CR8EIX	4218
<b>Supermoto 125</b>		125	1	2005-		0.6	CR8E	4854	Q226	CR8EIX	4218
<b>SX 125</b>		125	1	2002-		0.7	CR8E	4854	Q226	CR8EIX	4218
<b>Twin Colour 125 SM</b>		125	1	2006-		0.6	CR8E	4854	Q226	CR8EIX	4218
<b>Saxon Roadstar</b>		150		-		0.6	B8HS	5510		BR8HIX	7001
<b>Saxon Sportstar</b>		150	1	-	12hp	0.6	B8HS	5510		BR8HIX	7001
<b>ETZ Classic</b>		251	1	-	18hp	0.6	B8HS	5510		BR8HIX	7001
<b>ETZ Classic</b>		251	1	-	20hp	0.6	B8HS	5510		BR8HIX	7001
<b>Saxon 251 Fun</b>		251	1	-	18hp	0.6	B8HS	5510		BR8HIX	7001
<b>Saxon 251 Fun</b>		251	1	-	20hp	0.6	B8HS	5510		BR8HIX	7001
<b>Saxon 251 Tour</b>		251	1	-	20hp	0.6	B8HS	5510		BR8HIX	7001
<b>Saxon 251 Tour</b>		251	1	-	18hp	0.6	B8HS	5510		BR8HIX	7001
<b>ETZ 301 Classic</b>		301	1	-	23hp	0.6	B8HS	5510		BR8HIX	7001
<b>Saxon 301 Fun</b>		301	1	-	23hp	0.6	B8HS	5510		BR8HIX	7001
<b>Saxon 301 Tour</b>		301	1	-	23hp	0.6	B8HS	5510		BR8HIX	7001
<b>MZ500 / 500R</b>		500	1	1992-1996		0.7	D8EA	2120	Q216	DR8EIX	6681
<b>Saxon 500 Country</b>		500	1	-	34hp	0.7	D8EA	2120	Q216	DR8EIX	6681

\*Bitte Elektrodenabstand nach Angaben des Herstellers justieren

\*Please adjust the ground electrode gap

\*Veuillez vérifier l'écartement

\* Por favor, ajustar la distancia entre los electrodos

\*Regolare il gap

\*\* Iridium IX Spark Plug is the standard recommendation





Stock No.

Quick No.

Upgrade ↑

Stock No. ↑

**MZ**

Saxon 500 Fun		500	1	-	34hp	0.7	D8EA	2120	Q216	DR8EIX	6681
Saxon 500 Fun		500	1	-	27hp	0.7	D8EA	2120	Q216	DR8EIX	6681
Saxon 500 Funkkrad		500	1	-	34hp	0.7	D8EA	2120	Q216	DR8EIX	6681
Saxon 500 Funkkrad		500	1	-	27hp	0.7	D8EA	2120	Q216	DR8EIX	6681
Saxon 500 Tour		500	1	-	27hp	0.7	D8EA	2120	Q216	DR8EIX	6681
Saxon 500 Tour		500	1	-	34hp	0.7	D8EA	2120	Q216	DR8EIX	6681
Saxon 500 Voyager		500	1	-	34hp	0.7	D8EA	2120	Q216	DR8EIX	6681
Saxon 500 Voyager		500	1	-	27hp	0.7	D8EA	2120	Q216	DR8EIX	6681
Silver Star Classic 500		500	1	-	27hp	0.7	D8EA	2120	Q216	DR8EIX	6681
Silver Star Classic 500		500	1	-	34hp	0.7	D8EA	2120	Q216	DR8EIX	6681
Silver Star Gespann 500		500	1	1995-	34hp	0.7	D8EA	2120	Q216	DR8EIX	6681
Baghira		660	1	1997-		0.9	DPR9EA-9	5329	Q222	DPR9EIX-9	5545
Baghira Black Panther		660	1	1999-		0.9	DPR9EA-9	5329	Q222	DPR9EIX-9	5545
Baghira Black Panther HR		660	1	2000-		0.9	DPR9EA-9	5329	Q222	DPR9EIX-9	5545
Baghira Forest		660	1	1999-		0.9	DPR9EA-9	5329	Q222	DPR9EIX-9	5545
Baghira HR		660	1	1999-		0.9	DPR9EA-9	5329	Q222	DPR9EIX-9	5545
Baghira Street Moto		660	1	1999-		0.9	DPR9EA-9	5329	Q222	DPR9EIX-9	5545
Baghira Street Moto HR		660	1	2000-		0.9	DPR9EA-9	5329	Q222	DPR9EIX-9	5545
Mastiff		660	1	1997-		0.9	DPR9EA-9	5329	Q222	DPR9EIX-9	5545
Replica 660		660	1	1995-		0.9	DPR9EA-9	5329	Q222	DPR9EIX-9	5545
Skorpion Cup		660	1	1996-		0.9	DPR9EA-9	5329	Q222	DPR9EIX-9	5545
Skorpion Replica		660	1	1995-		0.9	DPR9EA-9	5329	Q222	DPR9EIX-9	5545
Skorpion Sport		660	1	1994-		0.9	DPR9EA-9	5329	Q222	DPR9EIX-9	5545
Skorpion Tour		660	1	1994-		0.9	DPR9EA-9	5329	Q222	DPR9EIX-9	5545
Skorpion Traveller		660	1	1996-		0.9	DPR9EA-9	5329	Q222	DPR9EIX-9	5545
Supermoto 660		660	1	2005-		0.9	DPR9EA-9	5329	Q222	DPR9EIX-9	5545
1000 S		1000	2	2004-		0.8	BKUR6ET	6437			
1000 SF		1000	2	2005-		0.8	BKUR6ET	6437			

**MZ KANUNI**

Classic 125	SM	125		1997-		0.5	B8HS	5510		BR8HIX	7001
Kanuni 300		300		1997-		0.5	B8HS	5510		BR8HIX	7001

**NIPPONIA**

Neon		50	1	-		0.6	BPR7HS	6422		BPR7HIX	5944
Dion		125	1	-		0.6	CR7HSA	4549		CR7HIX	7544
Miro		125	1	-		0.6	CR7HSA	4549		CR7HIX	7544

**NORTON**

C 652 SM		650	2	1999-	Engine F650	0.6	D8EA	2120	Q216	DR8EIX	6681
----------	--	-----	---	-------	-------------	-----	------	------	------	--------	------

**OSSA**

TR 280i		272	1	2011-		0.5	BPR5ES	7422		BPR5EIX	6597
---------	--	-----	---	-------	--	-----	--------	------	--	---------	------

**OTTO**

Fashion 50		50	1	1996-		0.6	BR8HSA	5539			
GTX 50		50	1	1996-		0.6	BR7HS	4737		BR7HIX	7067

**PEGASUS**

Corona 25		50	1	-		0.5	BPR7HS	6422		BPR7HIX	5944
Corona 50		50	1	-		0.5	BPR7HS	6422		BPR7HIX	5944
Skiper 25		50	1	-		0.5	BPR7HS	6422		BPR7HIX	5944
Skiper 50		50	1	-		0.5	BPR7HS	6422		BPR7HIX	5944
Sky 25		50	1	-		0.5	BPR7HS	6422		BPR7HIX	5944

\* Bitte Elektrodenabstand nach Angaben des Herstellers justieren

\* Please adjust the ground electrode gap

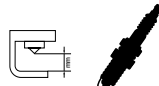
\* Veuillez vérifier l'écartement

\* Por favor, ajustar la distancia entre los electrodos

\* Regolare il gap

\* Iridium IX Spark Plug is the standard recommendation





Stock No.

Quick No.

Upgrade ↑

Stock No. ↑

**PEGASUS**

Sky 25 High Wheels		50	1	-		0.5	BPR7HS	6422		BPR7HIX	5944
Sky 50		50	1	-		0.5	BPR7HS	6422		BPR7HIX	5944
Sky 50 High Wheels		50	1	-		0.5	BPR7HS	6422		BPR7HIX	5944
Solero 25		50	1	-		0.5	BPR7HS	6422		BPR7HIX	5944
Solero 50		50	1	-		0.5	BPR7HS	6422		BPR7HIX	5944
Corona 125 Comfort Edition		125	1	-		0.6	CR7HSA	4549		CR7HIX	7544
Corona 125 Sport Edition		125	1	-		0.6	CR7HSA	4549		CR7HIX	7544
Skipper 125		125	1	-		0.7	CR7HSA	4549		CR7HIX	7544
Sky 125		125	1	-		0.7	CR7HSA	4549		CR7HIX	7544

**PEUGEOT**

103 50 CRX		50	1	-		0.5	B8HS	5510		BR8HIX	7001
103 50 LC		50	1	-		0.5	B8ES	2411	Q201	BR8EIX	5044
103 50 LC M		50	1	-		0.6	BR7HS	4737		BR7HIX	7067
103 50 MP/MR		50	1	-		0.5	B8HS	5510		BR8HIX	7001
103 50 MVL M		50	1	-		0.7	BP5HS	4111			
103 50 Racen		50	1	-		0.5	B8HS	5510		BR8HIX	7001
103 50 RCX M		50	1	-		0.6	BR7HS	4737		BR7HIX	7067
103 50 SPX		50	1	2002-		0.7	BR7HS	4737		BR7HIX	7067
103 50 T16		50	1	-		0.5	B8HS	5510		BR8HIX	7001
103 50 TXLC		50	1	-		0.5	B8ES	2411	Q201	BR8EIX	5044
103 50 TXR		50	1	-		0.5	B8ES	2411	Q201	BR8EIX	5044
103 50 Vogue LE		50	1	-		0.7	BP5HS	4111			
103 50 Vogue SE		50	1	-		0.7	BP5HS	4111			
103 50 Vogue VSE		50	1	-		0.7	BP5HS	4111			
104 50		50	1	-		0.5	B5HS	4210			
105 50		50	1	-		0.5	B5HS	4210			
BB3K 50		50	1	-		0.5	B6HS	4510		BR6HIX	3419
BB3L 50		50	1	-		0.5	B6HS	4510		BR6HIX	3419
BB3SP 50		50	1	-		0.5	B6HS	4510		BR6HIX	3419
Blaster 50 RS 12		50	1	2008-		0.6	BR7HS	4737		BR7HIX	7067
Buxy 50		50	1	1995-1997		0.7	BR7HS	4737		BR7HIX	7067
Buxy 50		50	1	1995-1997	Air	0.6	B7HS	5110		BR7HIX	7067
Buxy RS 50		50	1	1995-1997	Air	0.6	B7HS	5110		BR7HIX	7067
C 50		50	1	-		0.5	B5HS	4210			
Elyséo 50		50	1	1998-		0.7	BR7HS	4737		BR7HIX	7067
Elystar 50 Advantage		50	1	-		0.7	BR7HS	4737		BR7HIX	7067
Elystar 50 TSDI		50	1	-2005		0.6	CPR8E	7411			
Elystar 50 TSDI		50	1	2006-		0.6	CR7EKA	1462			
Fox 50 Concept		50	1	-		0.7	BR7HS	4737		BR7HIX	7067
Fox 50 L		50	1	-		0.6	B7HS	5110		BR7HIX	7067
Fox 50 LM		50	1	-		0.6	B7HS	5110		BR7HIX	7067
Fox 50 LM Pro		50	1	-		0.7	BR7HS	4737		BR7HIX	7067
Fox 50 M		50	1	-		0.7	BR7HS	4737		BR7HIX	7067
Fox 50 MPH		50	1	-		0.7	BR7HS	4737		BR7HIX	7067
Fox 50 M Pro		50	1	-		0.7	BR7HS	4737		BR7HIX	7067
Fox 50 SPX M		50	1	-		0.6	B7HS	5110		BR7HIX	7067
GT 10		50	1	-		0.5	B6HS	4510		BR6HIX	3419
Jet 50 C-Tech Carbu		50	1	2010-		0.6	CR7EB	4663			
Jet Force 50		50	1	-2005		0.6	CPR8E	7411			
Jet Force 50 C-Tech		50	1	2005-		0.6	CR7EB	4663			
Jet Force 50 H2i		50	1	2011-		0.6	CR7EKA	1462			

\* Bitte Elektrodenabstand nach Angaben des Herstellers justieren  
 \* Please adjust the ground electrode gap  
 \* Veuillez vérifier l'écartement

\* Por favor, ajustar la distancia entre los electrodos  
 \* Regolare il gap  
 \*\* Iridium IX Spark Plug is the standard recommendation





Stock No.

Quick No.

Upgrade ↑

Stock No. ↑

**PEUGEOT**

Jet Force 50 TSDI		50	1	2003-		0.6	CR7EKA	1462			
Kisbee 50		50	1	2010-		0.6	CR7HSA	4549		CR7HIX	7544
Looxor 50		50	1	2001-2002		0.6	BR7HS	4737		BR7HIX	7067
Looxor 50 TSDI Injection		50	1	2002-2006		0.6	CR7EKA	1462			
Ludix 50 14 EP		50	1	2004-	Italy	0.6	BR7HS	4737		BR7HIX	7067
Ludix 50 14 Pro		50	1	2004-	Italy	0.6	BR7HS	4737		BR7HIX	7067
Ludix 50 2-50		50	1	2004-		0.6	BR7HS	4737		BR7HIX	7067
Ludix 50 Blaster		50	1	2004-		0.7	BR7HS	4737		BR7HIX	7067
Ludix 50 Blaster		50	1	2007-	Water fluid	0.7	CR7E	4578	Q225	CR7EIX	7385
Ludix 50 Blaster Furious		50	1	2011-		0.8	CR7EKB	4455			
Ludix 50 Classic		50	1	2004-		0.6	BR7HS	4737		BR7HIX	7067
Ludix 50 Elegance		50	1	2004-		0.6	BR7HS	4737		BR7HIX	7067
Ludix 50 LC-10 Blaster		50	1	2004-		0.6	BR7HS	4737		BR7HIX	7067
Ludix 50 LC-12 Blaster		50	1	2004-		0.6	BR7HS	4737		BR7HIX	7067
Ludix 50 LC-12 Blaster RS12		50	1	2004-	Italy	0.6	BR7HS	4737		BR7HIX	7067
Ludix 50 One		50	1	2004-		0.7	BR7HS	4737		BR7HIX	7067
Ludix 50 Snake		50	1	2004-		0.7	BR7HS	4737		BR7HIX	7067
Ludix 50 Trend		50	1	2004-		0.7	BR7HS	4737		BR7HIX	7067
Ludix 50 Urban Track		50	1	2004-		0.6	BR7HS	4737		BR7HIX	7067
Ludix Blaster		50	1	2008-	10mm Thread Size / 19mm Thread Reach	0.6	CR7EB	4663			
Ludix Blaster RS12		50	1	2006-	10mm Thread Size / 19mm Thread Reach	0.6	CR7EB	4663			
Metal-X 50		50	1	-		0.6	BR7HS	4737		BR7HIX	7067
NK7 50		50	1	2010-		0.6	BR9ES	5722		BR9EIX	3981
P 80		50	1	-		0.5	B8HS	5510		BR8HIX	7001
Rapido 50		50	1	-	Italy	0.6	BP6HS	4511		BPR6HIX	4085
Rapido 50		50	1	-		0.6	BR6HSA	4461	Q210		
Rapido 50 2		50	1	-		0.6	BR6HSA	4461	Q210		
Rapido 50 3		50	1	-		0.6	BR6HSA	4461	Q210		
RC 50 X-Race		50	1	2000-		0.6	BR7HS	4737		BR7HIX	7067
RS 50		50	1	-		0.5	B5HS	4210			
RT 50		50	1	-		0.5	B5HS	4210			
S 157		50	1	-		0.5	B5HS	4210			
S 55		50	1	-		0.5	B5HS	4210			
SC 50		50	1	-		0.5	B6HS	4510		BR6HIX	3419
SC 50 L		50	1	-		0.5	B6HS	4510		BR6HIX	3419
SC 50 L		50	1	-		0.6	BPR6HS	7022		BPR6HIX	4085
Scoper V50		50	1	-		0.5	B6HS	4510		BR6HIX	3419
Speedake 50		50	1	1996-		0.7	BR7HS	4737		BR7HIX	7067
Speedfight 50		50	1	-		0.6	BR8HS	4915	Q212	BR8HIX	7001
Speedfight 50 2 AC		50	1	-		0.7	BR7HS	4737		BR7HIX	7067
Speedfight 50 2 AC Iron		50	1	-		0.7	BR7HS	4737		BR7HIX	7067
Speedfight 50 2 AC Motorsport		50	1	-		0.7	BR7HS	4737		BR7HIX	7067
Speedfight 50 2 Air		50	1	2000-		0.7	BR7HS	4737		BR7HIX	7067
Speedfight 50 2 LC		50	1	-		0.7	BR7HS	4737		BR7HIX	7067
Speedfight 50 2 LC Motorsport		50	1	-		0.7	BR7HS	4737		BR7HIX	7067
Speedfight 50 2 LC Victories		50	1	-		0.7	BR7HS	4737		BR7HIX	7067
Speedfight 50 2 Liquide		50	1	2000-		0.7	BR7HS	4737		BR7HIX	7067
Speedfight 50 2 WRC		50	1	2000-		0.7	BR7HS	4737		BR7HIX	7067

\* Bitte Elektrodenabstand nach Angaben des Herstellers justieren

\* Please adjust the ground electrode gap

\* Veuillez vérifier l'écartement

\* Por favor, ajustar la distancia entre los electrodos

\* Regolare il gap

\* Iridium IX Spark Plug is the standard recommendation





Stock No.

Quick No.

Upgrade ↑

Stock No. ↑

**PEUGEOT**

<b>Speedfight 50 2 X-Race</b>		50	1	2000-		0.7	BR7HS	4737		BR7HIX	7067
<b>Speedfight 50 3</b>	F1ABAA	50	1	2009-	Water fluid	0.8	CR7EB	4663			
<b>Speedfight 50 3</b>	F1ACAA	50	1	2009-	Air	0.7	BPR5HS	6222			
<b>Speedfight 50 3</b>		50	1	2012-		0.7	BR7HS CR7EKA	4737 1462		BR7HIX	7067
<b>Speedfight 50 3 Le Mans</b>		50	1	2011-		0.7	BR7HS	4737		BR7HIX	7067
<b>Speedfight 50 3 RS</b>	F1AAAA	50	1	2009-	Air	0.7	BR7HS	4737		BR7HIX	7067
<b>Speedfight 50 3 Team Peugeot</b>		50	1	2011-		0.7	BR7HS	4737		BR7HIX	7067
<b>Speedfight 50 Air</b>		50	1	1998-	Italy Air	0.7	BR7HS	4737		BR7HIX	7067
<b>Speedfight 50 LC</b>		50	1	1996-2000	Water fluid	0.6	BR7HS	4737		BR7HIX	7067
<b>Speedfight 50 LCD</b>		50	1	1996-2000	Water fluid	0.6	BR7HS	4737		BR7HIX	7067
<b>Speedfight 50 LCDP</b>		50	1	1996-2000	Water fluid	0.6	BR7HS	4737		BR7HIX	7067
<b>Speedfight 50 LCT</b>		50	1	1996-2000	Water fluid	0.6	BR7HS	4737		BR7HIX	7067
<b>Speedfight 50 M</b>		50	1	1996-2000		0.6	BR7HS	4737		BR7HIX	7067
<b>Speedfight 50 MP</b>		50	1	1996-2000		0.6	BR7HS	4737		BR7HIX	7067
<b>Speedfight 50 Prost Serie</b>		50	1	1996-2000		0.6	BR7HS	4737		BR7HIX	7067
<b>Speedfight 50 X Team</b>		50	1	1999-2000		0.7	BR7HS	4737		BR7HIX	7067
<b>Squab 50</b>		50	1	-		0.7	BR7HS	4737		BR7HIX	7067
<b>ST 50</b>		50	1	-		0.6	BR6HSA	4461	Q210		
<b>ST 50 50</b>		50	1	-	Italy	0.5	B7HS	5110		BR7HIX	7067
<b>ST 50 L2</b>		50	1	-		0.6	BR6HSA	4461	Q210		
<b>ST 50 L3</b>		50	1	-		0.6	BR6HSA	4461	Q210		
<b>ST 50 Metropolis</b>		50	1	-	Italy	0.6	B7HS	5110		BR7HIX	7067
<b>STL 2 50</b>		50	1	-		0.6	BR6HSA	4461	Q210		
<b>SV 50</b>		50	1	-1995		0.6	B8HS	5510		BR8HIX	7001
<b>SV 50</b>		50	1	1996-		0.6	BR8HS	4915	Q212	BR8HIX	7001
<b>SV 50 Geo</b>		50	1	-		0.6	B8HS	5510		BR8HIX	7001
<b>SV 50 Junior</b>		50	1	-		0.6	B8HS	5510		BR8HIX	7001
<b>SV 50 M</b>		50	1	-		0.6	B8HS	5510		BR8HIX	7001
<b>SX 50 Pro</b>		50	1	-		0.5	BPR6HS	7022		BPR6HIX	4085
<b>SX5 50</b>		50	1	-		0.5	B5HS	4210			
<b>TKR 50</b>		50	1	-		0.5	B10ES	7928		BR10EIX	6801
<b>TKR 50 307 WRC</b>		50	1	-		0.6	BR7HS	4737		BR7HIX	7067
<b>TKR 50 Furious AC</b>		50	1	2005-		0.6	BR7HS	4737		BR7HIX	7067
<b>TKR 50 Streetboard 50</b>		50	1	-		0.6	BR7HS	4737		BR7HIX	7067
<b>TKR 50 Victories</b>		50	1	-		0.6	BR7HS	4737		BR7HIX	7067
<b>TLX 50</b>		50	1	-		0.5	B6HS	4510		BR6HIX	3419
<b>Trekker 50</b>		50	1	-		0.6	BR7HS	4737		BR7HIX	7067
<b>Trekker 50 Black 2</b>		50	1	1999-		0.6	BR7HS	4737		BR7HIX	7067
<b>Trekker 50 Metal-X</b>		50	1	2000-		0.6	BR7HS	4737		BR7HIX	7067
<b>Trekker 50 Off Road</b>		50	1	1997-		0.6	BR7HS	4737		BR7HIX	7067
<b>Trekker 50 Road</b>		50	1	-		0.6	BR8HS	4915	Q212	BR8HIX	7001
<b>Trekker 50 Streetboard</b>		50	1	1997-		0.6	BR7HS	4737		BR7HIX	7067
<b>Trekker 50 Tuning</b>		50	1	2000-		0.6	BR7HS	4737		BR7HIX	7067
<b>Trekker 50 Urban Black</b>		50	1	1999-		0.6	BR7HS	4737		BR7HIX	7067
<b>TSA 50</b>		50	1	-		0.5	B6HS	4510		BR6HIX	3419
<b>Tweet 50</b>		50	1	2000-		0.6	BR7HS	4737		BR7HIX	7067
<b>Tweet 50</b>		50	1	2010-		0.7	CR6HSA	2983		CR6HIX	7274
<b>V-Clic 50</b>		50	1	2010-		0.6	CR7HSA	4549		CR7HIX	7544
<b>V-Clic 50 Silversport</b>		50	1	2007-		0.6	CR7HSA	4549		CR7HIX	7544

\*Bitte Elektrodenabstand nach Angaben des Herstellers justieren

\*Please adjust the ground electrode gap

\*Veuillez vérifier l'écartement

\* Por favor, ajustar la distancia entre los electrodos

\*Regolare il gap

\*\* Iridium IX Spark Plug is the standard recommendation





Stock No.

Quick No.

Upgrade ↑

Stock No. ↑

**PEUGEOT**

Velo 50 a moteur Count.	50	1	-		0.5	B8HS	5510		BR8HIX	7001
Vivacity 50	50	1	1999-		0.7	BR7HS	4737		BR7HIX	7067
Vivacity 50	50	1	2007-		0.6	CR7HSA	4549		CR7HIX	7544
Vivacity 50	50	1	2010-		0.7	CR7EKA	1462			
Vivacity 50	50	1	2011-		0.7	CR6HSA	2983		CR6HIX	7274
Vivacity 50 3 Sixties	50	1	2010-		0.7	BR7HS	4737		BR7HIX	7067
Vivacity 50 Compact	50	1	1999-		0.7	BR7HS	4737		BR7HIX	7067
Vivacity 50 Silversport	50	1	1999-		0.7	BR7HS	4737		BR7HIX	7067
Vivacity 50 Sportline	50	1	1999-		0.7	BR7HS	4737		BR7HIX	7067
VS-R 50	50	1	2010-		0.6	CR7HSA	4549		CR7HIX	7544
XP6 50 Supermotard	50	1	2000-		0.7	BR7HS	4737		BR7HIX	7067
XP6 50 Trail	50	1	1998-		0.6	BR9ES	5722		BR9EIX	3981
XPS 50 Enduro	50	1	2000-		0.7	BR7HS	4737		BR7HIX	7067
XPS 50 Supermotard	50	1	2000-		0.7	BR7HS	4737		BR7HIX	7067
XPS 50 Trail	50	1	2000-		0.7	BR7HS	4737		BR7HIX	7067
XR6 50 Multivitesses	50	1	1998-		0.6	BR9ES	5722		BR9EIX	3981
XR7 50	50	1	2001-		0.6	BR9ES	5722		BR9EIX	3981
X-Race 50	50	1	2010-		0.6	BR9ES	5722		BR9EIX	3981
Zenith 50	50	1	2003-		0.7	BR9ES	5722		BR9EIX	3981
Zenith 50 F.D.	50	1	-		0.5	B7HS	5110		BR7HIX	7067
Zenith 50 LM2	50	1	-1999		0.7	BR7HS	4737		BR7HIX	7067
Zenith 50 LN	50	1	-		0.6	B7HS	5110		BR7HIX	7067
Zenith 50 LS	50	1	-		0.6	B7HS	5110		BR7HIX	7067
Zenith 50 N	50	1	-		0.6	B7HS	5110		BR7HIX	7067
P51-53 100	80	1	-		0.5	BPR6HS	7022		BPR6HIX	4085
SV 80 L	80	1	1996-		0.5	BR8HS	4915	Q212	BR8HIX	7001
SX 80 PRO	80	1	-		0.6	B8HS	5510		BR8HIX	7001
55 C 125	100	1	1999-		0.7	BR8ES	5422	Q207	BR8EIX	5044
Elyséo 100	100	1	-		0.5	B6S	3510			
M 100 VivaCity	100	1	1998-2007		0.6	BR8ES	5422	Q207	BR8EIX	5044
Metal X 100	100	1	2001-		0.6	BR8ES	5422	Q207	BR8EIX	5044
M Looxor 100	100	1	1999-		0.7	BR8ES	5422	Q207	BR8EIX	5044
Speedfight 100	100	1	1999-		0.7	BR8ES	5422	Q207	BR8EIX	5044
Speedfight 100 2	100	1	2001-	Italy Air	0.6	BR8ES	5422	Q207	BR8EIX	5044
Speedfight 100 2 Victories	100	1	2000-		0.7	BR8ES	5422	Q207	BR8EIX	5044
Speedfight 100 Prost GP	100	1	1997-1999		0.7	BR8ES	5422	Q207	BR8EIX	5044
Speedfight 100 WRC 206	100	1	1997-1999		0.7	BR8ES	5422	Q207	BR8EIX	5044
SV 100	100	1	2006-		0.6	BR8ES	5422	Q207	BR8EIX	5044
SV 100 L	100	1	2006-		0.6	BR8ES	5422	Q207	BR8EIX	5044
TKR 100	100	1	1997-		0.6	BR8ES	5422	Q207	BR8EIX	5044
Trekker 100	100	1	-		0.6	BR8ES	5422	Q207	BR8EIX	5044
Vivacity 100	100	1	1997-		0.6	BR8ES	5422	Q207	BR8EIX	5044
550 125	125	1	-		0.5	B6HS	4510		BR6HIX	3419
55 D 125	125	1	-		0.5	B6HS	4510		BR6HIX	3419
Atlantis 125	125	1	-		0.5	B6HS	4510		BR6HIX	3419
Black Sat 125 Compressor	125	1	2006-		0.7	CR9EB	6955			
Citystar 125	125	1	2008-		0.7	CR9EB	6955			
Elyséo 125	125	1	2004-		0.7	CR7E	4578	Q225	CR7EIX	7385
Elyséo 125	125	1	2011-		0.7	CR8EB	7784			
Elyseo 125 Advantage	125	1	1999-		0.7	CR7E	4578	Q225	CR7EIX	7385

\*Bitte Elektrodenabstand nach Angaben des Herstellers justieren

\*Please adjust the ground electrode gap

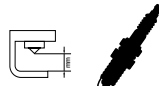
\*Veuillez vérifier l'écartement

\* Por favor, ajustar la distancia entre los electrodos

\*Regolare il gap

\* Iridium IX Spark Plug is the standard recommendation





Stock No.

Quick No.

Upgrade ↑

Stock No. ↑

**PEUGEOT**

Elyséo 125 Advantage	125	1	1998-		0.7	CR8E	4854	Q226	CR8EIX	4218
Elystar 125	125	1	2004-		0.7	CR8E	4854	Q226	CR8EIX	4218
Elystar 125 Advantage	125	1	2002-		0.7	CR7EB	4663			
Elystar 125 Injection	125	1	2004-		0.7	CR7EB	4663			
F 125 Looxor	125	1	2005-2011		0.6	CR7EB	4663			
Geopolis 125	125	1	2008-		0.7	CR8EB	7784			
Geopolis 125 RS	125	1	2002-		0.7	CR7EB	4663			
Jet Force 125	125	1	2006-		0.6	CR9EB	6955			
Jet Force 125 Compressor	125	1	2003-		0.6	CR7EB	4663			
Jet Force 125 Compressor K	125	1	2005-		0.7	CR8EK	3478			
Liberty 125	125	1	2005-		0.7	CR8EKB	4374			
Looxor 125	125	1	2003-		0.6	CR7EB	4663			
Ludix 125	125	1	-		0.7	CR7EB	4663			
LXR 125	125	1	2004-		0.6	CR9EB	6955			
Satelis 125	125	1	2003-2008		0.7	CR9EB	6955			
Satelis 125	125	1	2008-		0.7	CR8EB	7784			
Satelis 125 Blacksat	125	1	2012-		0.7	CR8EB	7784			
Satelis 125 Compressor	125	1	2006-		0.6	CR9EB	6955			
Satelis 125 Compressor	125	1	2012-		0.7	CR9EB	6955			
Satelis 125 Executive	125	1	2012-		0.7	CR8EB	7784			
Satelis 125 GT Sport	125	1	2006-		0.6	CR9EB	6955			
Satelis 125 Roland Garros	125	1	2012-		0.7	CR8EB	7784			
Satelis 125 Withesat	125	1	2012-		0.7	CR8EB	7784			
Satelis RS 125	125	1	2009-		0.6	CR7E	4578	Q225	CR7EIX	7385
Sum Up 125	125	1	-2007		0.7	CR7HSA	4549		CR7HIX	7544
Sum Up 125	125	1	2008-2009		0.6	CR9EB	6955			
Sum Up 125	125	1	2012-		0.7	CR8EB	7784			
SV 125	125	1	2010-		0.7	CR7HSA	4549		CR7HIX	7544
SV 125 Metropolis	125	1	-		0.6	BP6HS	4511		BPR6HIX	4085
Tweet 125	125	1	-		0.6	BP6HS	4511		BPR6HIX	4085
Tweet 125 RS	125	1	2010-		0.7	CR7HSA	4549		CR7HIX	7544
Vivacity 125	125	1	2012-		0.8	CR7HSA	4549		CR7HIX	7544
Vivacity 125 Roland-Garros	125	1	2010-		0.7	CR7HSA	4549		CR7HIX	7544
Vivacity 125 Sixties	125	1	2012-		0.8	CR7HSA	4549		CR7HIX	7544
WTR 125	125	1	2012-		0.8	CR7HSA	4549		CR7HIX	7544
X 125 LC	125	1	2007-		0.7	CR9EB	6955			
XPS 125 CT	125	1	2006-2008		0.7	CR7HSA	4549		CR7HIX	7544
Elyséo 150	150	1	2001-		0.7	CR8E	4854	Q226	CR8EIX	4218
Elystar 150	150	1	2003-		0.7	CR7EB	4663			
Looxor 150	150	1	2003-	Italy	0.7	CR7EB	4663			
P 150	150	1	-		0.5	B6HS	4510		BR6HIX	3419
Tweet 150	150	1	2010-		0.7	CR7HSA	4549		CR7HIX	7544
P 155	155	1	-		0.5	B6HS	4510		BR6HIX	3419
P 156	155	1	-		0.5	B6HS	4510		BR6HIX	3419
176	175	1	-		0.5	B6HS	4510		BR6HIX	3419
176 BB	175	1	-		0.5	B6HS	4510		BR6HIX	3419
176 Grand Sport	175	1	-	Italy	0.5	B8ES	2411	Q201	BR8EIX	5044
176 TC	175	1	-		0.5	B6HS	4510		BR6HIX	3419
Citystar 200i	200	1	2012-		*	CR8EB	7784			
LXR 200	200	1	2009-		0.6	CR7E	4578	Q225	CR7EIX	7385

\* Bitte Elektrodenabstand nach Angaben des Herstellers justieren

\* Please adjust the ground electrode gap

\* Veuillez vérifier l'écartement

\* Por favor, ajustar la distancia entre los electrodos

\* Regolare il gap

\*\* Iridium IX Spark Plug is the standard recommendation





Stock No.

Quick No.

Upgrade ↑

Stock No. ↑

**PEUGEOT**

256		250	1	-		0.5	B7HS	5110		BR7HIX	7067
Elystar 250		250	1	2006-		0.7	PMR8B	6378			
Geopolis 250		250	1	2006-		0.7	PMR8B	6378			
Geopolis 250 Executive		250	1	2007-		0.6	CR9EB	6955			
Geopolis 250 RS		250	1	2008-		0.7	PMR8B	6378			
Satelis 250		250	1	2006-		0.7	PMR8B	6378			
Satelis 250		250	1	2007-		0.6	CR9EB	6955			
Satelis 250 RS		250	1	2008-		0.7	PMR8B	6378			
SV 250		250	1	2001-		0.9	DPR7EA-9	5129	Q220	DPR7EIX-9	7803
Geopolis 300		300	1	2010-		0.8	CR7EKB	4455			
Géopolis 300 RS		300	1	2012-		0.8	CR7EKB	4455			
Geopolis 400		400	1	2007-		0.8	CR7EKB	4455			
Geopolis 400 RS		400	1	2007-		0.8	CR7EKB	4455			
Metropolis 400i		400	1	2013-		0.9	CPR8EB-9	6607			
Metropolis 400i RS		400	1	2013-		0.9	CPR8EB-9	6607			
Satelis 400		400	1	2007-		0.8	CR7EKB	4455			
Satelis 400 Premium RS		400	1	2011-		0.8	CR7EKB	4455			
Satelis 400 RS		400	1	2008-		0.8	CR7EKB	4455			
Geopolis 500		500	1	2008-		0.8	CR7EKB	4455			
Satelis 500		500	1	2007-		0.8	CR7EKB	4455			
Satelis 500 RS		500	1	2007-		0.8	CR7EKB	4455			

**PGO**

Big Max 25		50	1	-		0.5	BPR7HS	6422		BPR7HIX	5944
Big Max 50		50	1	-		0.5	BPR7HS	6422		BPR7HIX	5944
Big Max Sport 50		50	1	1996-		0.6	BP7HS	5111		BPR7HIX	5944
Comet 50		50	1	-		0.6	BP7HS	5111		BPR7HIX	5944
Comet 50		50	1	1998-		0.6	BPR7HS	6422		BPR7HIX	5944
Galaxy 25		50	1	-		0.6	BP7HS	5111		BPR7HIX	5944
Galaxy 50		50	1	-		0.6	BP7HS	5111		BPR7HIX	5944
G-Max		50	1	2004-		0.6	BPR7HS	6422		BPR7HIX	5944
Libra 50		50	1	2008-		0.6	BPR7HS	6422		BPR7HIX	5944
Ligero 50		50	1	2008-		0.6	BPR7HS	6422		BPR7HIX	5944
Mega 50		50	1	1996-		0.5	BPR7HS	6422		BPR7HIX	5944
New Galaxy 50		50	1	-		0.6	BP6HS	4511		BPR6HIX	4085
PMS 50		50	1	1999-		0.6	BP7HS	5111		BPR7HIX	5944
PMX 50		50	1	1999-		0.6	BP7HS	5111		BPR7HIX	5944
PMX Naked 50		50	1	2007-		0.6	BPR7HS	6422		BPR7HIX	5944
PMX Sport 50		50	1	1998-		0.6	BPR7HS	6422		BPR7HIX	5944
Rodoshow		50	1	2000-		0.6	BP7HS	5111		BPR7HIX	5944
Rodoshow 50		50	1	1998-		0.6	BPR7HS	6422		BPR7HIX	5944
Star 2		50	1	-		0.6	BP7HS	5111		BPR7HIX	5944
Star 50		50	1	-		0.6	BP6HS	4511		BPR6HIX	4085
Super Comet 50		50	1	-		0.6	BP7HS	5111		BPR7HIX	5944
Tornado 50		50	1	1997-		0.5	BPR7HS	6422		BPR7HIX	5944
TR3		50	1	-		0.5	BP7HS	5111		BPR7HIX	5944
TR3-50		50	1	-		0.5	BP7HS	5111		BPR7HIX	5944
T-Rex 50		50	1	1998-		0.6	BPR7HS	6422		BPR7HIX	5944
T-REX 50		50	1	1999-		0.6	BP7HS	5111		BPR7HIX	5944
Star 80		80	1	-		0.6	BP6HS	4511		BPR6HIX	4085
Big Max 90		82	1	1996-		0.5	BPR7HS	6422		BPR7HIX	5944
Galaxy 90		90	1	-		0.6	BPR7HS	6422		BPR7HIX	5944

\* Bitte Elektrodenabstand nach Angaben des Herstellers justieren

\* Please adjust the ground electrode gap

\* Veuillez vérifier l'écartement

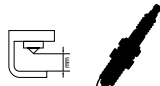
\* Por favor, ajustar la distancia entre los electrodos

\* Regolare il gap

\* Iridium IX Spark Plug is the standard recommendation







Stock No.

Quick No.

Upgrade ↑

Stock No. ↑

**PGO**

<b>G-Max 125</b>		125	1	2005-		0.7	C7HSA	4629		CR7HIX	7544
<b>G-Max 125</b>		125	1	2005-		0.6	CR7HSA	4549		CR7HIX	7544
<b>Libra 125</b>		125	1	2008-		0.6	C7HSA	4629		CR7HIX	7544
<b>Ligero 125</b>		125	1	2008-		0.6	C7HSA	4629		CR7HIX	7544
<b>Tornado 1.25</b>		125	1	1997-		0.5	BPR7HS	6422		BPR7HIX	5944
<b>T-REX 125 2T</b>		125	1	1999-		0.6	BP7HS	5111		BPR7HIX	5944
<b>T-REX 125 4T</b>		125	1	1999-		0.6	C7HSA	4629		CR7HIX	7544
<b>T-REX 150 4T</b>		150	1	2003-		0.6	C7HSA	4629		CR7HIX	7544
<b>G-Max 250</b>		250	1	2005-2007		0.7	DPR7EA-9	5129	Q220	DPR7EIX-9	7803

**PIAGGIO**

<b>Free 25 Mofa</b>		25	1	-		0.5	BP8ES	2912		BPR8EIX	6684
<b>Zip 25 Mofa</b>		25	1	-		0.5	BPR8ES	5170	Q213	BPR8EIX	6684
<b>Zip Base 25</b>		25	1	-		0.5	BPR8ES	5170	Q213	BPR8EIX	6684
<b>Zip Base 25 Mofa</b>		25	1	-		0.5	BPR8ES	5170	Q213	BPR8EIX	6684
<b>50 R</b>		50	1	-		0.5	B6HS	4510		BR6HIX	3419
<b>50 R Special</b>		50	1	-		0.5	B6HS	4510		BR6HIX	3419
<b>50 S</b>		50	1	-		0.5	B6HS	4510		BR6HIX	3419
<b>APE 50</b>		50	1	1996-1999	TL9T	*	B6HS	4510		BR6HIX	3419
<b>Boss 50</b>		50	1	-		0.5	B6HS	4510		BR6HIX	3419
<b>Bravo 50 P</b>		50	1	-		0.7	BR6HS	4200		BR6HIX	3419
<b>Bravo 50 PV</b>		50	1	-		0.7	BR6HS	4200		BR6HIX	3419
<b>Bravo 50 PVRI</b>		50	1	-		0.5	B8HS	5510		BR8HIX	7001
<b>Bravo Si 50</b>		50	1	-		0.5	B5HS	4210			
<b>Ciao 50 Mix</b>		50	1	-		0.5	B5HS	4210			
<b>Ciao 50 M Kat</b>		50	1	-		0.7	BR6HS	4200		BR6HIX	3419
<b>Ciao 50 V Kat</b>		50	1	-		0.7	BR6HS	4200		BR6HIX	3419
<b>Ciao-Bravo 50 SI</b>		50	1	-		0.5	B5HS	4210			
<b>Diesis 50</b>		50	1	-		0.7	BR9ES	5722		BR9EIX	3981
<b>Eaglet 50</b>		50	1	-		0.5	B9ES	2611	Q202	BR9EIX	3981
<b>ET2 50</b>		50	1	1998-		0.6	BR9ES	5722		BR9EIX	3981
<b>ET2i 50</b>		50	1	1998-		0.6	DCPR9EIX**	2316			
<b>ET4 50</b>		50	1	-		0.7	CR9EB	6955			
<b>Fly 4 50</b>		50	1	2009-		*	ER9EHIX**	96652			
<b>Fly 50</b>		50	1	2006-		0.7	PMR7A	4259			
<b>Fly 50</b>		50	1	2006-		0.6	BR9ES	5722		BR9EIX	3981
<b>Fly 50</b>	RP8C521	50	1	2012-2013		0.7	ER9EH-N	95748			
<b>Fly 50 2V</b>		50	1	2006-2013	10mm Thread Size / 19mm Thread Reach	0.8	CR8EB	7784			
<b>Fly 50 4V</b>		50	1	2014-	Ø8mm Thread Size / 19.0(12.7)mm Thread Reach	0.6	ER9EH-6N	1673			
<b>Free 50</b>		50	1	1993-		0.5	B9ES	2611	Q202	BR9EIX	3981
<b>Free 50 Business</b>		50	1	1996-		0.6	B9ES	2611	Q202	BR9EIX	3981
<b>Free 50 Kat</b>		50	1	-		0.7	BR9ES	5722		BR9EIX	3981
<b>Grillo 50</b>		50	1	-		0.5	B5HS	4210			
<b>Grillo 50 Mofa</b>		50	1	-		0.5	B5HS	4210			
<b>Liberty 50</b>		50	1	1997-1998		0.6	B9ES	2611	Q202	BR9EIX	3981
<b>Liberty 50</b>		50	1	1999-		0.5	BR9ES	5722		BR9EIX	3981
<b>Liberty 50</b>		50	1	2002-2005		0.8	CR9EB	6955			
<b>Liberty 50</b>		50	1	2006-		0.7	PMR7A	4259			
<b>Liberty 50</b>	RP8CA11	50	1	2017-		0.8	MR8BI-8	91360			
<b>Liberty 50</b>	RP8CA12	50	1	2017-		0.8	MR8BI-8	91360			
<b>Liberty 50 Kat</b>		50	1	-		0.7	BR9ES	5722		BR9EIX	3981

\* Bitte Elektrodenabstand nach Angaben des Herstellers justieren

\* Please adjust the ground electrode gap

\* Veuillez vérifier l'écartement

\* Por favor, ajustar la distancia entre los electrodos

\* Regolare il gap

\*\* Iridium IX Spark Plug is the standard recommendation





Stock No.

Quick No.

Upgrade ↑

Stock No. ↑

**PIAGGIO**

LX 50		50	1	2006-		0.7	BR9ES	5722		BR9EIX	3981
LX 50		50	1	2006-		0.8	CR8EB	7784			
LX 50		50	1	2009-2013		0.7	ER9EH-N	95748			
NRG 50		50	1	-		0.5	B9ES	2611	Q202	BR9EIX	3981
NRG 50		50	1	1994-		0.6	B9ES	2611	Q202	BR9EIX	3981
NRG 50 Extreme		50	1	-		0.5	B9ES	2611	Q202	BR9EIX	3981
NRG 50 Extreme Kat		50	1	-		0.5	B9ES	2611	Q202	BR9EIX	3981
NRG 50 H <sup>2</sup> O Kat		50	1	-	Water fluid	0.5	B9ES	2611	Q202	BR9EIX	3981
NRG 50 MC2		50	1	-2000		0.5	B9ES	2611	Q202	BR9EIX	3981
NRG 50 MC2		50	1	1996-		0.6	B9EG	3530			
NRG 50 MC2 DD		50	1	-		0.5	B9ES	2611	Q202	BR9EIX	3981
NRG 50 MC2 DT		50	1	-		0.5	B9ES	2611	Q202	BR9EIX	3981
NRG 50 MC3		50	1	2001-		0.5	B9ES	2611	Q202	BR9EIX	3981
NRG 50 MC3		50	1	2002-2005		0.6	CPR8E	7411			
NRG 50 MC3		50	1	2006-		0.6	ZMR7AP	6914			
NRG 50 MC3 Pure Jet		50	1	2002-2005		0.6	CPR8E	7411			
NRG 50 Power DD		50	1	-		*	BR9ES	5722		BR9EIX	3981
NRG 50 Power DT Purejet		50	1	2005-		0.6	CPR8E	7411			
NSP 50 Aria		50	1	2002-		0.8	CR9EB	6955			
NTT 50		50	1	1995-		0.6	B9ES	2611	Q202	BR9EIX	3981
PK 50 S Auto		50	1	-		0.5	BR7ES	5122		BR7EIX	6664
PK 50 SS		50	1	-		0.5	B7HS	5110		BR7HIX	7067
PK 50 XL 2		50	1	-		0.5	B7HS	5110		BR7HIX	7067
PK 50 XL 2		50	1	-		0.6	BR7HS	4737		BR7HIX	7067
PK 50 XL2 Auto		50	1	-		0.5	B8ES	2411	Q201	BR8EIX	5044
Plurimatic 50		50	1	-		0.5	B6HS	4510		BR6HIX	3419
PX 50		50	1	-		0.5	B6HS	4510		BR6HIX	3419
Quartz		50	1	1993-		0.5	BR9ES	5722		BR9EIX	3981
Quarz 50		50	1	1992-		0.5	B9ES	2611	Q202	BR9EIX	3981
Quarz 50		50	1	1992-		0.6	B9ES	2611	Q202	BR9EIX	3981
Rush 50		50	1	-		0.6	BR7HS	4737		BR7HIX	7067
Sfera 50		50	1	-		0.5	B9ES	2611	Q202	BR9EIX	3981
Sfera 50 FL		50	1	-		0.5	B9ES	2611	Q202	BR9EIX	3981
Sfera 50 R		50	1	-		0.6	B9ES	2611	Q202	BR9EIX	3981
Sfera 50 RL		50	1	-		0.5	B9ES	2611	Q202	BR9EIX	3981
Sfera 50 RST		50	1	-		0.5	B9ES	2611	Q202	BR9EIX	3981
Skipper 50		50	1	-		0.6	BR9ES	5722		BR9EIX	3981
Storm 50		50	1	1994-		0.5	B9ES	2611	Q202	BR9EIX	3981
Super Bravo 50		50	1	-		0.5	B5HS	4210			
Super Bravo 50 Mofa		50	1	-		0.5	B5HS	4210			
TPH 50		50	1	1993-		0.5	B9ES	2611	Q202	BR9EIX	3981
Typhone 50 E3		50	1	2011-		0.7	BR9ES	5722		BR9EIX	3981
Typhoon 50		50	1	2011-		0.7	CR7EB	4663			
Typhoon 50 Air		50	1	1996-		0.7	BR9ES	5722		BR9EIX	3981
Typhoon 50 X		50	1	1993-		0.5	B9ES	2611	Q202	BR9EIX	3981
Typhoon 50 X		50	1	1996-		0.7	BR9ES	5722		BR9EIX	3981
Typhoon 50 XR		50	1	1993-		0.5	B9ES	2611	Q202	BR9EIX	3981
Velofax		50	1	1993-		0.5	BR9ES	5722		BR9EIX	3981
Velofax 50		50	1	-		0.6	BP8ES	2912		BPR8EIX	6684
Velofax 50		50	1	1995-		0.5	B8ES	2411	Q201	BR8EIX	5044
Velofax 50 AE		50	1	1995-		0.5	B8ES	2411	Q201	BR8EIX	5044
Velofax 50 L		50	1	-		0.5	B9ES	2611	Q202	BR9EIX	3981

\*Bitte Elektrodenabstand nach Angaben des Herstellers justieren

\*Please adjust the ground electrode gap

\*Veuillez vérifier l'écartement

\* Por favor, ajustar la distancia entre los electrodos

\*Regolare il gap

\* Iridium IX Spark Plug is the standard recommendation





Stock No.

Quick No.

Upgrade ↑

Stock No. ↑

**PIAGGIO**

<b>Velofax 50 M</b>		50	1	-		0.5	B9ES	2611	Q202	BR9EIX	3981
<b>Velofax 50 Mofa</b>		50	1	-		0.6	BP8ES	2912		BPR8EIX	6684
<b>Velofax 50 S</b>		50	1	-		0.5	B9ES	2611	Q202	BR9EIX	3981
<b>Vespa 50 4 vit.</b>		50	1	-		0.5	B8HS	5510		BR8HIX	7001
<b>Vespa 50 A</b>		50	1	-		0.5	B7ES	1111		BR7EIX	6664
<b>Vespa 50 Delta</b>		50	1	-		0.5	B7HS	5110		BR7HIX	7067
<b>Vespa 50 Elestart</b>		50	1	-		0.5	B6HS	4510		BR6HIX	3419
<b>Vespa 50 ET2 IE</b>		50	1	-		*	DCPR9EIX**	2316			
<b>Vespa 50 ET3 Primavera</b>		50	1	-		0.6	BR7HS	4737		BR7HIX	7067
<b>Vespa 50 ET4</b>		50	1	2002-2005		0.8	CR9EB	6955			
<b>Vespa 50 ET4</b>		50	1	2006-		0.7	PMR7A	4259			
<b>Vespa 50 HP 4M</b>		50	1	-		0.5	B6HS	4510		BR6HIX	3419
<b>Vespa 50 HP 4M</b>		50	1	1993-		0.5	B7HS	5110		BR7HIX	7067
<b>Vespa 50 LX</b>		50	1	-		0.7	BR9ES	5722		BR9EIX	3981
<b>Vespa 50 LX</b>		50	1	2006-		0.7	PMR7A	4259			
<b>Vespa 50 LX 4V</b>		50	1	2010-		0.6	ER9EH-6N	1673			
<b>Vespa 50 LXV</b>		50	1	-		0.6	BR9ES	5722		BR9EIX	3981
<b>Vespa 50 PK XL 2</b>		50	1	-		0.5	B8ES	2411	Q201	BR8EIX	5044
<b>Vespa 50 Primavera</b>	C53100	50	1	2013-2017		0.7	ER9EH-N	95748			
<b>Vespa 50 Primavera</b>	CA0100	50	1	2017-		0.8	MR8BI-8	91360			
<b>Vespa 50 Primavera</b>	CA0200	50	1	2017-		0.8	MR8BI-8	91360			
<b>Vespa 50 Puch Condor</b>		50	1	-		0.5	B7HS	5110		BR7HIX	7067
<b>Vespa 50 R</b>		50	1	-		0.5	B6HS	4510		BR6HIX	3419
<b>Vespa 50 S</b>		50	1	-		0.5	B6HS	4510		BR6HIX	3419
<b>Vespa 50 S</b>		50	1	2008-		0.6	BR9ES	5722		BR9EIX	3981
<b>Vespa 50 S</b>	M38600	50	1	2008-2012		0.7	ER9EH-N	95748			
<b>Vespa 50 Special</b>		50	1	-		0.5	B6HS	4510		BR6HIX	3419
<b>Vespa 50 Vale Especial</b>		50	1	-		0.5	B5HS	4210			
<b>Vespa 50 Vale Spécial</b>		50	1	-		0.5	B5HS	4210			
<b>Vespa 50 Vale Standard</b>		50	1	-		0.5	B5HS	4210			
<b>Vespa Sprint 50</b>	C53101	50	1	2014-2017		0.7	ER9EH-N	95748			
<b>Vespa Sprint 50</b>	CA0201	50	1	2017-		0.8	MR8BI-8	91360			
<b>Vespa Sprint 50</b>	CA0101	50	1	2017-		0.8	MR8BI-8	91360			
<b>Vespino 50</b>		50	1	-		0.6	BR7HS	4737		BR7HIX	7067
<b>Vespino 50 AL</b>		50	1	-		0.5	B7HS	5110		BR7HIX	7067
<b>Vespino 50 ALX</b>		50	1	-		0.5	B7HS	5110		BR7HIX	7067
<b>Vespino 50 GL</b>		50	1	-		0.5	B7HS	5110		BR7HIX	7067
<b>Vespino 50 GN</b>		50	1	-		0.5	B7HS	5110		BR7HIX	7067
<b>Vespino 50 GS</b>		50	1	-		0.5	B7HS	5110		BR7HIX	7067
<b>Vespino 50 NL</b>		50	1	-		0.5	B7HS	5110		BR7HIX	7067
<b>Vespino 50 NX</b>		50	1	-		0.6	BR7HS	4737		BR7HIX	7067
<b>Vespino 50 SC</b>		50	1	-		0.6	BR7HS	4737		BR7HIX	7067
<b>Vespino 50 T</b>		50	1	-		0.6	BR7HS	4737		BR7HIX	7067
<b>Vespino 50 TL</b>		50	1	-		0.6	BR7HS	4737		BR7HIX	7067
<b>Vespino 50 TN</b>		50	1	-		0.6	BR7HS	4737		BR7HIX	7067
<b>Vespino 50 TS</b>		50	1	-		0.6	BR7HS	4737		BR7HIX	7067
<b>Vespino 50 TX</b>		50	1	-		0.6	BR7HS	4737		BR7HIX	7067
<b>Vespino 50 XE</b>		50	1	-		0.6	BR7HS	4737		BR7HIX	7067
<b>Zip</b>		50	1	1993-		0.5	BR9ES	5722		BR9EIX	3981
<b>Zip &amp; Zip 50</b>		50	1	1994-		0.6	B9ES	2611	Q202	BR9EIX	3981
<b>Zip &amp; Zip 50</b>		50	1	1994-		0.5	B9ES	2611	Q202	BR9EIX	3981

\* Bitte Elektrodenabstand nach Angaben des Herstellers justieren

\* Please adjust the ground electrode gap

\* Veuillez vérifier l'écartement

\* Por favor, ajustar la distancia entre los electrodos

\* Regolare il gap

\*\* Iridium IX Spark Plug is the standard recommendation





Stock No.

Quick No.

Upgrade ↑

Stock No. ↑

**PIAGGIO**

Zip 4 50		50	1	-		0.6	CR7E	4578	Q225	CR7EIX	7385
Zip 50		50	1	1992-		0.6	B9ES	2611	Q202	BR9EIX	3981
Zip 50		50	1	1993-		0.7	BR9ES	5722		BR9EIX	3981
Zip 50		50	1	2002-		0.7	CR8EB	7784			
Zip 50		50	1	2006-		0.7	PMR7A	4259			
ZIP 50		50	1	2018-		0.8	MR8BI-8	91360			
Zip 50 Air		50	1	1996-	Air	0.7	BR9ES	5722		BR9EIX	3981
Zip 50 Aria		50	1	2002-		0.8	CR9EB	6955			
Zip 50 Base		50	1	-		0.5	B9ES	2611	Q202	BR9EIX	3981
ZIP 50 Eau		50	1	1996-		0.7	B10ES	7928		BR10EIX	6801
Zip 50 Fast Rider		50	1	1992-1999		0.6	B9ES	2611	Q202	BR9EIX	3981
Zip 50 Kat		50	1	-		0.5	BPR8ES	5170	Q213	BPR8EIX	6684
Zip 50 RST		50	1	-		0.6	B9ES	2611	Q202	BR9EIX	3981
Zip 50 SP		50	1	-		0.5	B9EG	3530			
Zip 50 SP		50	1	1996-		0.6	B9ES	2611	Q202	BR9EIX	3981
Zip 50 Water		50	1	1996-	Water fluid	0.7	B10ES	7928		BR10EIX	6801
Zip SP		50	1	1993-		0.5	BR9ES	5722		BR9EIX	3981
SKR 50 City		75	1	-		0.6	BR9ES	5722		BR9EIX	3981
Vespa 75 PK S		75	1	-		0.5	B7HS	5110		BR7HIX	7067
Vespa 75 PK S Elestart		75	1	-		0.5	B7HS	5110		BR7HIX	7067
Vespa 75 PK S Junior		75	1	-		0.5	B7HS	5110		BR7HIX	7067
Vespa 75 PK S Primavera		75	1	-		0.5	B7HS	5110		BR7HIX	7067
Vespa 75 PK T3 Prima		75	1	-		0.5	B7HS	5110		BR7HIX	7067
Vespa 75 PK XL		75	1	-		0.6	B9ES	2611	Q202	BR9EIX	3981
Vespa 75 PK XL Elestart		75	1	-		0.6	B9ES	2611	Q202	BR9EIX	3981
PX 80 E		80	1	-		0.5	B6ES	7310			
PX 80 E Lusso		80	1	-		0.5	B6ES	7310			
PX 80 P		80	1	-		0.5	B6ES	7310			
PX 80 X		80	1	-		0.5	B6ES	7310			
Sfera 80		80	1	-		0.5	B9ES	2611	Q202	BR9EIX	3981
Sfera 80		80	1	1993-1998		0.5	BR9ES	5722		BR9EIX	3981
Sfera 80 RST		80	1	-		0.5	B9ES	2611	Q202	BR9EIX	3981
Skipper 80		80	1	-		0.6	B9ES	2611	Q202	BR9EIX	3981
TPH 80		80	1	1994-		0.5	B9ES	2611	Q202	BR9EIX	3981
Typhoon 80		80	1	-		0.6	BR9ES	5722		BR9EIX	3981
Diesis 100		100	1	2001-		0.6	CR8EB	7784			
Diesis 100		100	1	2002-2003		0.6	BR9ES	5722		BR9EIX	3981
Fly 100		100	1	2006-		0.7	CR9EB	6955			
Free 100		100	1	2002-		0.6	CR8EB	7784			
Zip 100		100	1	2006-		0.7	CR9EB	6955			
Ape 125		125	1	-		0.5	B7HS	5110		BR7HIX	7067
Ape 125		125	1	-		0.7	BR7HS	4737		BR7HIX	7067
Beverly 125		125	1	2002-		0.8	CR8EB	7784			
Beverly 125 GT		125	1	2002-		0.8	CR8EB	7784			
Beverly 125 Light		125	1	2002-		0.8	CR8EB	7784			
Carnaby 125		125	1	2007-		0.6	CR8EB	7784			
Cosa 200 FL EBC		125	1	-	12hp	0.5	B8ES	2411	Q201	BR8EIX	5044
ET 3 125		125	1	-		0.6	BR7HS	4737		BR7HIX	7067
ET 4 125		125	1	-		0.8	CR7EB	4663			
Fly 125		125	1	2005-		0.8	CR7EB	4663			
Fly 125 3V		125	1	2014-		0.7	CR8EB	7784			

\* Bitte Elektrodenabstand nach Angaben des Herstellers justieren

\* Please adjust the ground electrode gap

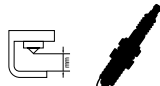
\* Veuillez vérifier l'écartement

\* Por favor, ajustar la distancia entre los electrodos

\* Regolare il gap

\* Iridium IX Spark Plug is the standard recommendation





Stock No.

Quick No.

Upgrade ↑

Stock No. ↑

**PIAGGIO**

Fly 125 E3		125	1	-		0.6	CR7EKB	4455			
GTS 125 Super		125	1	2007-		0.8	CR8EB	7784			
Hexagon 125		125	1	1994-1998		0.5	BR9ES	5722		BR9EIX	3981
Hexagon 125 GTX		125	1	2000-2002		0.7	CR9EB	6955			
Hexagon 125 LX		125	1	1994-		0.5	B9ES	2611	Q202	BR9EIX	3981
Hexagon 125 LX		125	1	1998-2000		0.6	BR9ES	5722		BR9EIX	3981
Hexagon 125 LX 2V Air		125	1	-	Air	0.8	CR7EB	4663			
Hexagon 125 LX 4V H2O		125	1	-	Water fluid	0.6	CR8EB	7784			
L 125 Granturismo		125	1	2004-		0.7	CR9EB	6955			
Liberty 125		125	1	1998-2000		0.6	CR7E	4578	Q225	CR7EIX	7385
Liberty 125		125	1	2002-		0.8	CR7EB	4663			
Liberty 125 E3		125	1	-		0.6	CR7EKB	4455			
Liberty 125 Leader		125	1	2001-		0.7	CR9EB	6955			
Liberty 125 S E3		125	1	-		0.6	CR7EKB	4455			
LX 125 Super		125	1	2000-		0.7	CR9EB	6955			
LX 2 125		125	1	1997-		0.5	B9ES	2611	Q202	BR9EIX	3981
LX 4 125		125	1	1998-2000		0.6	CR7E	4578	Q225	CR7EIX	7385
Medley 125	MA0120	125	1	2016-	12hp	0.7	LMAR8EI-7	92499			
MP3 125		125	1	2006-		0.6	CR8EB	7784			
MP3 125 Hybrid		125	1	2009-		0.6	CR8EB	7784			
MP3 125 i.e.		125	1	2006-		0.6	CR8EB	7784			
MP3 125 RL		125	1	2006-		0.6	CR8EB	7784			
P 125 X		125	1	-		0.5	B6HS	4510		BR6HIX	3419
PK 125		125	1	-	UK	0.5	B6HS	4510		BR6HIX	3419
PK 125		125	1	-		0.5	BR6HS	4200		BR6HIX	3419
PK 125 E		125	1	-		0.5	BR6HS	4200		BR6HIX	3419
PK 125 S		125	1	-		0.5	BR6HS	4200		BR6HIX	3419
PK 125 XL		125	1	-		0.6	BR7HS	4737		BR7HIX	7067
PK 125 XL 2		125	1	-		0.5	B8ES	2411	Q201	BR8EIX	5044
PK Automatic		125	1	-		0.5	B7HS	5110		BR7HIX	7067
Primavera 125		125	1	-		0.5	B6HS	4510		BR6HIX	3419
Primavera ET3		125	1	-		0.5	B7HS	5110		BR7HIX	7067
Runner 125		125	1	2002-		0.6	CR8EB	7784			
Sfera 125		125	1	1995-		0.6	CR9E	6263	Q227	CR9EIX	3521
Sfera 125 RL		125	1	-		0.6	CR9E	6263	Q227	CR9EIX	3521
Sfera 125 RST		125	1	1995-		0.6	CR7E	4578	Q225	CR7EIX	7385
Skipper 125		125	1	2000-		0.8	CR7EB	4663			
Skipper 125 LX		125	1	1993-		0.6	B9ES	2611	Q202	BR9EIX	3981
SKR 125		125	1	1993-		0.5	B9ES	2611	Q202	BR9EIX	3981
Sphera 125		125	1	1995-1999		0.6	CR9E	6263	Q227	CR9EIX	3521
Sphera 125 Air		125	1	2000-		0.6	CR8EB	7784			
ST 125 Skipper Leader		125	1	2000-		0.7	CR9EB	6955			
Super Hexagon 125 GTX		125	1	2001-		0.6	CR8EB	7784			
Tourer 125		125	1	2002-		0.8	CR8EB	7784			
TPH 125		125	1	1995-		0.5	B9ES	2611	Q202	BR9EIX	3981
Typhoon 125		125	1	1995-2003		0.5	B9ES	2611	Q202	BR9EIX	3981
Typhoon 125		125	1	2010-		0.8	CR7EB	4663			
Vespa 125 946		125	1	2013-		0.6	CR8EB	7784			
Vespa 125 CL		125	1	-		0.5	B6HS	4510		BR6HIX	3419
Vespa 125 ET4		125	1	1996-		0.7	CR8EB	7784			
Vespa 125 ET4		125	1	1999-		0.8	CR7EB	4663			

\*Bitte Elektrodenabstand nach Angaben des Herstellers justieren

\*Please adjust the ground electrode gap

\*Veuillez vérifier l'écartement

\* Por favor, ajustar la distancia entre los electrodos

\*Regolare il gap

\*\* Iridium IX Spark Plug is the standard recommendation





Stock No.

Quick No.

Upgrade ↑

Stock No. ↑

**PIAGGIO**

Vespa 125 Gandturismo		125	1	-2004		0.6	CR9EB	6955			
Vespa 125 GT		125	1	2003-		0.6	CR8EB	7784			
Vespa 125 GTS	M31300/M45300	125	1	2007-2016		0.7	CR8EKB	4374			
Vespa 125 GTS	MA3100/MA31200	125	1	2016-	12hp	0.7	LMAR8E1-7	92499			
Vespa 125 GTS Super i.e.		125	1	2010-		0.7	CR8EKB	4374			
Vespa 125 GTV		125	1	-		0.6	CR8EB	7784			
Vespa 125 Leader ET 4		125	1	2000-		0.7	CR9EB	6955			
Vespa 125 LS		125	1	-		0.5	B6HS	4510		BR6HIX	3419
Vespa 125 LX		125	1	2005-		0.8	CR7EB	4663			
Vespa 125 LX		125	1	2012-		0.6	CR8EB	7784			
Vespa 125 LX 3V		125	1	2012-		0.7	CR8EB	7784			
Vespa 125 LX i.e.		125	1	2009-		0.7	CR8EB	7784			
Vespa 125 LXV		125	1	-		0.8	CR7EB	4663			
Vespa 125 NK Primavera		125	1	-		0.5	B6HS	4510		BR6HIX	3419
Vespa 125 PK S Elestart		125	1	-		0.5	B6HS	4510		BR6HIX	3419
Vespa 125 PK XL Elestart		125	1	-		0.6	B7ES	1111		BR7EIX	6664
Vespa 125 PX E		125	1	-		0.6	B6HS	4510		BR6HIX	3419
Vespa 125 PX E Iris		125	1	-		0.6	B6HS	4510		BR6HIX	3419
Vespa 125 PX Kat		125	1	-		0.6	BR7HS	4737		BR7HIX	7067
Vespa 125 S		125	1	2008-		0.8	CR7EB	4663			
Vespa 125 S		125	1	2012-		0.6	CR8EB	7784			
Vespa 125 S 3V		125	1	2012-		0.7	CR8EB	7784			
Vespa 125 S i.e.		125	1	2008-		0.8	CR7EB	4663			
Vespa 125 Special ET3 Primavera		125	1	-		0.6	B7HS	5110		BR7HIX	7067
Vespa 125 Special ET4 Carburatore		125	1	-		0.6	CR8EB	7784			
Vespa 125 T3		125	1	-		0.5	B6HS	4510		BR6HIX	3419
Vespa 125 T3Li		125	1	-		0.5	B6HS	4510		BR6HIX	3419
Vespa 125 T5 Elestart		125	1	-		0.6	B9ES	2611	Q202	BR9EIX	3981
Vespa 125 T5 Sport		125	1	-		0.6	B9ES	2611	Q202	BR9EIX	3981
Vespa 125 T5 Sport Elestart		125	1	-		0.6	B9ES	2611	Q202	BR9EIX	3981
Vespa 125 XL Elestart		125	1	-		0.6	B7HS	5110		BR7HIX	7067
Vespa 125 XL Plurimat		125	1	-		0.6	B7HS	5110		BR7HIX	7067
X10 125		125	1	2012-		0.6	CR8EB	7784			
X 125 EVO		125	1	2006-		0.6	CR8EB	7784			
X7 125		125	1	2007-		0.8	CR8EB	7784			
X7 125 EVO i.e.		125	1	2007-		0.7	CR8EKB	4374			
X8 125		125	1	2004-		0.6	CR8EB	7784			
X8 125 Street		125	1	-		0.8	CR7EB	4663			
X9 125		125	1	2000-2002	15hp	0.6	CR9EB	6955			
X9 125		125	1	2002-	15hp	0.6	CR8EB	7784			
Xevo 125		125	1	2007-		0.7	CR8EB	7784			
XR 125 Typhoon		125	1	-		0.5	B9ES	2611	Q202	BR9EIX	3981
Zip 125		125	1	-		0.7	CR7EB	4663			
Zip 125		125	1	-		0.6	CR9EB	6955			
ZIP 125 New Edge Leader		125	1	2000-		0.7	CR9EB	6955			
ZIP 125 New Edge Leader		125	1	2001-		0.6	B9ES	2611	Q202	BR9EIX	3981
Cosa 150		150	1	-		0.6	BR9ES	5722		BR9EIX	3981

\*Bitte Elektrodenabstand nach Angaben des Herstellers justieren

\*Please adjust the ground electrode gap

\*Veuillez vérifier l'écartement

\* Por favor, ajustar la distancia entre los electrodos

\*Regolare il gap

\* Iridium IX Spark Plug is the standard recommendation





Stock No.

Quick No.

Upgrade ↑

Stock No. ↑

**PIAGGIO**

<b>EX 150 Hexagon</b>		150	1	1994-		0.5	B9ES	2611	Q202	BR9EIX	3981
<b>Fly 150</b>		150	1	2008-		0.8	CR7EB	4663			
<b>Hexagon 150</b>		150	1	1994-		0.6	B9ES	2611	Q202	BR9EIX	3981
<b>Liberty 150</b>		150	1	2002-		0.8	CR7EB	4663			
<b>Medley 150</b>	MA0220	150	1	2016-	15hp	0.7	LMAR8EI-7	92499			
<b>Piaggio 150</b>		150	1	-		0.5	B9ES	2611	Q202	BR9EIX	3981
<b>Skipper 150</b>		150	1	1993-		0.6	B9ES	2611	Q202	BR9EIX	3981
<b>Skipper 150 ST</b>		150	1	-2000		0.7	BR9ES	5722		BR9EIX	3981
<b>Skipper 150 ST</b>		150	1	2001-		0.8	CR7EB	4663			
<b>SKR 150</b>		150	1	1998-		0.5	B9ES	2611	Q202	BR9EIX	3981
<b>Vespa 150</b>		150	1	-	14mm Thread Size / 19mm Thread Reach	0.5	B6ES	7310			
<b>Vespa 150</b>		150	1	-	14mm Thread Size / 12,7mm Thread Reach	0.5	B6HS	4510		BR6HIX	3419
<b>Vespa 150 ET4</b>		150	1	-2001		0.6	CR7E	4578	Q225	CR7EIX	7385
<b>Vespa 150 ET4</b>		150	1	2001-2002		0.6	CR8EB	7784			
<b>Vespa 150 ET4</b>		150	1	2002-		0.8	CR7EB	4663			
<b>Vespa 150 GTS</b>	MA3100/ MA31200	150	1	2016-		0.7	LMAR8EI-7	92499			
<b>Vespa 150 LX</b>		150	1	2008-2011		0.8	CR7EB	4663			
<b>Vespa 150 LX i.e.</b>		150	1	2009-		0.8	CR7EB	4663			
<b>Vespa 150 LXV</b>		150	1	-		0.8	CR7EB	4663			
<b>Vespa 150 PX Kat</b>		150	1	-		0.7	BR6HS	4200		BR6HIX	3419
<b>Vespa 150 PX MA AE</b>		150	1	1996-		0.6	B6HS	4510		BR6HIX	3419
<b>Vespa 150 S</b>		150	1	-		0.8	CR7EB	4663			
<b>Vespa 150 S i.e.</b>		150	1	2008-2011		0.8	CR7EB	4663			
<b>X8 150 Street</b>		150	1	-		0.8	CR7EB	4663			
<b>Vespa 160</b>		160	1	-		0.5	B6HS	4510		BR6HIX	3419
<b>Vespa 160 GT</b>		160	1	-		0.5	B6HS	4510		BR6HIX	3419
<b>Vespa 175</b>		175	1	-		0.5	B6HS	4510		BR6HIX	3419
<b>Hexagon 180 LXT</b>		180	1	1998-2000		0.6	B9ES	2611	Q202	BR9EIX	3981
<b>Super Hexagon 180 LXT</b>		180	1	2001-		0.6	CR8EB	7784			
<b>Vespa 180 SS</b>		180	1	-		0.5	B8ES	2411	Q201	BR8EIX	5044
<b>X9 180 Amalfi</b>		180	1	2001-		0.6	CR8EB	7784			
<b>Ape 190</b>		190	1	-		0.5	B7HS	5110		BR7HIX	7067
<b>Ape 190</b>		190	1	-		0.7	BR7HS	4737		BR7HIX	7067
<b>Beverly 200</b>		200	1	2001-		0.6	CR8EB	7784			
<b>Beverly 200</b>		200	1	2002-		0.6	CR8EB	7784			
<b>Carnaby 200</b>		200	1	2007-		0.6	CR8EB	7784			
<b>Cosa 200</b>		200	1	-	UK	0.5	B6ES	7310			
<b>Cosa 200</b>		200	1	-	FR	0.5	B8ES	2411	Q201	BR8EIX	5044
<b>Cosa 200</b>		200	1	1993-1997	12hp	0.6	BR8ES	5422	Q207	BR8EIX	5044
<b>Cosa 200 MA AE</b>		200	1	-		0.6	BR8ES	5422	Q207	BR8EIX	5044
<b>Cosa P200E</b>		200	1	-		0.5	B6ES	7310			
<b>DN 200</b>		200	1	-		0.5	BR7ES	5122		BR7EIX	6664
<b>DS 200</b>		200	1	-		0.5	BR7ES	5122		BR7EIX	6664
<b>Leader 200 LXT</b>		200	1	2000-		0.7	CR9EB	6955			
<b>Liberty 200</b>		200	1	2004-		0.8	CR7EB	4663			
<b>PE 200</b>		200	1	-		0.5	BR7ES	5122		BR7EIX	6664
<b>Vespa 200 DN</b>		200	1	-		0.5	B5ES	6410			
<b>Vespa 200 DS</b>		200	1	-		0.5	B5ES	6410			
<b>Vespa 200 E</b>		200	1	-		0.5	B5ES	6410			

\* Bitte Elektrodenabstand nach Angaben des Herstellers justieren

\* Please adjust the ground electrode gap

\* Veuillez vérifier l'écartement

\* Por favor, ajustar la distancia entre los electrodos

\* Regolare il gap

\*\* Iridium IX Spark Plug is the standard recommendation





Stock No.

Quick No.

Upgrade ↑

Stock No. ↑

**PIAGGIO**

Vespa 200 Granturimo L		200	1	-		0.6	CR7EKB	4455			
Vespa 200 PX E		200	1	-		0.6	B7ES	1111		BR7EIX	6664
Vespa 200 PX E Disc		200	1	1998-		0.6	BR6ES	4922			
Vespa 200 PX Iris		200	1	-		0.6	B7ES	1111		BR7EIX	6664
Vespa 200 PX Iris Elestart		200	1	-		0.6	B7ES	1111		BR7EIX	6664
Vespa 200 PX MA AE		200	1	1996-		0.6	B6ES	7310			
Vespa 200 Rally		200	1	-		0.5	BR7ES	5122		BR7EIX	6664
Vespa 200 TX		200	1	-		0.6	B7ES	1111		BR7EIX	6664
Vespa 200 TX Elestart		200	1	-		0.6	B7ES	1111		BR7EIX	6664
Vespa GT 200 Granturismo		200	1	2003-2007		0.6	CR7EB	4663			
X8 200		200	1	2005-		0.6	CR7EKB	4455			
Ape 220		220	1	-		0.5	B7HS	5110		BR7HIX	7067
Ape 220		220	1	-		0.7	BR7HS	4737		BR7HIX	7067
Beverly 250		250	1	2003-		0.7	PMR8B	6378			
Beverly 250 GTS Injection		250	1	2006-		0.7	PMR8B	6378			
Carnaby 250		250	1	2008-		0.7	PMR8B	6378			
Cruiser 250		250	1	2003-		0.7	PMR8B	6378			
Hexagon 250 GT		250	1	1998-		0.9	DPR6EA-9	5531			
Hexagon 250 X		250	1	1998-		0.9	DPR6EA-9	5531			
MP3 250		250	1	2006-		0.7	PMR8B	6378			
MP3 250 ie		250	1	-		0.7	CR9EB	6955			
MP3 250 RL ie		250	1	-		0.7	PMR8B	6378			
MP3 RST 250		250	1	2006-		0.7	PMR8B	6378			
Super Hexagon 250 GTX		250	1	-		0.7	CR9E	6263	Q227	CR9EIX	3521
Tourer 250		250	1	2003-		0.7	PMR8B	6378			
Vespa 250 GTS i.e.		250	1	2006-		0.7	PMR8B	6378			
Vespa 250 GTV i.e.		250	1	-		0.7	PMR8B	6378			
Vespa 250 GTV Via Montenapoleone		250	1	2011-		0.7	PMR8B	6378			
X7 250		250	1	2007-		0.7	PMR8B	6378			
X8 250		250	1	2006-2008		0.6	CR8EB	7784			
X8 250 i.e.		250	1	2006-		0.7	PMR8B	6378			
X9 250		250	1	2000-2003		0.9	DPR7EA-9	5129	Q220	DPR7EIX-9	7803
X9 250 EVO		250	1	2007-		0.7	PMR8B	6378			
X9 250 Evolution		250	1	-		0.6	CR8EB	7784			
X-Evo 250		250	1	-		0.7	PMR8B	6378			
Beverly 300 i.e.		300	1	2011-		0.7	CR8EKB	4374			
Beverly Tourer 300 i.e.		300	1	2010-		0.7	CR8EKB	4374			
Carnaby 300		300	1	2009-		0.7	CR8EKB	4374			
Carnaby Cruiser 300 i.e.		300	1	2010-		0.7	CR8EKB	4374			
MP3 300		300	1	2010-		0.7	CR8EKB	4374			
MP3 300 i.e.		300	1	2010-		0.7	CR8EKB	4374			
MP3 300 i.e. Hybrid		300	1	2011-		0.7	CR8EKB	4374			
MP3 300 LT		300	1	2010-		0.7	CR8EKB	4374			
MP3 300 LT i.e.		300	1	2010-		0.7	CR8EKB	4374			
MP3 300 LT i.e. Hybrid		300	1	2011-		0.7	CR8EKB	4374			
Vespa 300 GTS Super		300	1	2008-		0.7	CR8EKB	4374			
Vespa 300 GTS Super Sport		300	1	2011-		0.7	CR8EKB	4374			
Vespa 300 GTS Super Sport ie		300	1	2011-		0.7	CR8EKB	4374			

\* Bitte Elektrodenabstand nach Angaben des Herstellers justieren

\* Please adjust the ground electrode gap

\* Veuillez vérifier l'écartement

\* Por favor, ajustar la distancia entre los electrodos

\* Regolare il gap

\* Iridium IX Spark Plug is the standard recommendation







Stock No.

Quick No.

Upgrade ↑

Stock No. ↑

**PIAGGIO**

Vespa 300 GTV via Montenapoleone		300	1	2010-		0.7	CR8EKB	4374			
X7 300 EVO i.e.		300	1	2010-		0.7	CR8EKB	4374			
Beverly 350 Sport Touring	MA2200	350	1	-2011		0.7	CR8EKB	4374			
Beverly 350 Sport Touring	MA2200	350	1	2012-		0.7	CR7EKB	4455			
X10 350		350	1	2012-		0.7	CR8EKB	4374			
Beverly 400		400	1	2007-		0.8	CR7EKB	4455			
MP3 400		400	1	2007-		0.8	CR7EKB	4455			
MP3 400 LT i.e.		400	1	2009-		0.8	CR7EKB	4455			
MP3 400 LT Sport ie		400	1	2011-		0.7	CR7EKB	4455			
MP3 400 RL ie		400	1	-		0.7	CR7EKB	4455			
MP3 RST 400		400	1	2007-		0.8	CR7EKB	4455			
Tourer 400		400	1	2007-		0.8	CR7EKB	4455			
X 400 EVO		400	1	2007-		0.8	CR7EKB	4455			
X8 400		400	1	2006-		0.8	CR7EKB	4455			
B 500		460	1	2003-		0.8	CR7EKB	4455			
Beverly 460		460	1	2007-		0.8	CR7EKB	4455			
Beverly 500		500	1	2003-		0.8	CR7EKB	4455			
Beverly Cruiser 500 TS		500	1	2007-		0.8	CR7EKB	4455			
X9 500		500	1	2003-		0.8	CR7EKB	4455			
X9 500 EVO		500	1	2004-		0.8	CR7EKB	4455			

**PIONEER**

Nevada 125		125	1	2008-		0.7	D8EA	2120	Q216	DR8EIX	6681
Torro 125		125	1	2008-		0.7	D8EA	2120	Q216	DR8EIX	6681

**POLINI**

Steel 910		50	1	-		0.6	B6HS	4510		BR6HIX	3419
Steel 910 LC		50	1	-		0.6	B6HS	4510		BR6HIX	3419
Steel 910 LC Race		50	1	-		*	BR7HIX**	7067			
Steel 910 Race		50	1	-		*	BR7HIX**	7067			

**PRAGA**

Cross 610	CD	610		2001-		0.6	C8E	7471		CR8EIX	4218
-----------	----	-----	--	-------	--	-----	-----	------	--	--------	------

**PUCH**

Maxi 25 II		50	1	-		0.5	B4H	4110			
Maxi 25 II		50	1	-		0.5	B5HS	4210			
Maxi 25 N		50	1	-		0.5	B5HS	4210			
P 1 L 25		50	1	-		0.5	B4H	4110			
P 1 XL 25		50	1	-		0.5	B4H	4110			

**PULSE**

Advert		50	1	-		0.6	BPR7HS	6422		BPR7HIX	5944
Evo SM		50	1	-		0.6	BR8ES	5422	Q207	BR8EIX	5044
Force 50	HT50QT-36	50	1	-		0.7	CR7HS	7223		CR7HIX	7544
Force 50		50	1	2008-		0.6	BPR7HS	6422		BPR7HIX	5944
Ghost		50	1	-		0.6	BPR7HS	6422		BPR7HIX	5944
Lightspeed 2 50	WY50QT-58	50	1	2008-		0.7	CR7HS	7223		CR7HIX	7544
Rhythm 50		50	1	-		0.7	CR7HS	7223		CR7HIX	7544
Scout 50		50	1	-		0.7	CR7HS	7223		CR7HIX	7544
Adrenaline 125	XF125GY-2B	125	1	-		0.7	CR8E	4854	Q226	CR8EIX	4218
Lightspeed 2 125	WY125T-74	125	1	2012-		0.7	CR7HS	7223		CR7HIX	7544
Phantom 125	ZN125T-32A	125	1	-		0.7	CR7HS	7223		CR7HIX	7544

\*Bitte Elektrodenabstand nach Angaben des Herstellers justieren

\*Please adjust the ground electrode gap

\*Veuillez vérifier l'écartement

\* Por favor, ajustar la distancia entre los electrodos

\*Regolare il gap

\*\* Iridium IX Spark Plug is the standard recommendation





Stock No.

Quick No.

Upgrade ↑

Stock No. ↑

## PULSE

<b>Rage 125</b>	LK125GY-2	125	1	-		0.7	CR7HS	7223		CR7HIX	7544
<b>Vijo 125</b>	HT125T-9	125	1	-		0.7	D8EA	2120	Q216	DR8EIX	6681
<b>Zoom 125</b>		125	1	-		0.6	CR7HSA	4549		CR7HIX	7544
<b>Adrenaline 250</b>	XF250GY	250	1	2008-		0.7	DR8EA	7162		DR8EIX	6681

## QUADRO

<b>3</b>		400	1	-	29hp	0.7	CR8E	4854	Q226	CR8EIX	4218
<b>4</b>		400	1	-	31hp	0.7	CR8E	4854	Q226	CR8EIX	4218

## REGAL RAPTOR MC

<b>DD50QE-2</b>		50	1	2003-		0.7	CR7HSA	4549		CR7HIX	7544
<b>DD100E</b>		100		2003-		0.7	CR7HSA	4549		CR7HIX	7544

## REGENT

<b>Deluxe 125</b>		125	1	-		0.6	B7HS	5110		BR7HIX	7067
<b>Roadster 125</b>		125	1	-		0.6	B7HS	5110		BR7HIX	7067
<b>Sports Tourer 125</b>		125	1	-		0.6	B7HS	5110		BR7HIX	7067
<b>Super RT125</b>		125	1	-		0.6	B7HS	5110		BR7HIX	7067
<b>Deluxe 150</b>		150	1	1995-1997		0.6	B7HS	5110		BR7HIX	7067
<b>Roadster 150</b>		150	1	1995-1997		0.6	B7HS	5110		BR7HIX	7067
<b>Trail 150</b>		150	1	1995-1997		0.6	B7HS	5110		BR7HIX	7067
<b>Deluxe 175</b>		175	1	-		0.6	B7HS	5110		BR7HIX	7067
<b>RT 175 Roadster</b>		175	1	-		0.6	B7HS	5110		BR7HIX	7067
<b>Sports Tourer 175</b>		175	1	-		0.6	B7HS	5110		BR7HIX	7067
<b>Super RT 175</b>		175	1	-		0.6	B7HS	5110		BR7HIX	7067
<b>Trail 175</b>		175	1	-		0.6	B7HS	5110		BR7HIX	7067

## RENAULT

<b>Campus</b>		50	1	2001-		0.6	BR8ES	5422	Q207	BR8EIX	5044
<b>Spécimen</b>		50	1	2001-		0.6	BR8HS	4915	Q212	BR8HIX	7001
<b>Spécimen</b>		100	1	2001-		0.6	BR8HS	4915	Q212	BR8HIX	7001
<b>Fulltime</b>		125	1	2001-		0.6	CR9EB	6955			
<b>Groomy</b>		125	1	2001-		0.6	CR9EB	6955			
<b>Kouranos</b>		125	1	2001-		0.6	CR9EB	6955			

## REX

<b>Rex 25</b>		25	1	-		0.6	BPR7HS	6422		BPR7HIX	5944
<b>Rexy 25</b>		25	1	1996-		0.6	BPR7HS	6422		BPR7HIX	5944
<b>Rexy 50</b>		25	1	1996-		0.6	BPR7HS	6422		BPR7HIX	5944
<b>Rex 50</b>		50	1	1996-		0.6	BPR7HS	6422		BPR7HIX	5944
<b>RS 450</b>	QM50DT-6	50	1	-		0.6	CR7HS	7223		CR7HIX	7544
<b>Scooter 50</b>		50	1	1996-		0.6	BPR7HS	6422		BPR7HIX	5944
<b>Silver Star 50</b>		50	1	-		0.6	BPR7HS	6422		BPR7HIX	5944
<b>Silver Street 50</b>		50	1	-		0.6	BPR7HS	6422		BPR7HIX	5944
<b>Chopper 125</b>		125	1	-		0.7	DR8EA	7162		DR8EIX	6681
<b>Cruiser 125</b>		125	1	-		0.7	DR8EA	7162		DR8EIX	6681
<b>Fun Bike 125</b>		125	1	2000-		0.9	DP7EA-9	5629		DPR7EIX-9	7803
<b>Rex 125</b>		125	1	1997-		0.5	CR7HSA	4549		CR7HIX	7544
<b>Rexy 125</b>		125	1	-		0.5	CR7HSA	4549		CR7HIX	7544

## RFR

<b>Moteur Linhai</b>		138		2007-	LINHAI	0.7	C7HSA	4629		CR7HIX	7544
----------------------	--	-----	--	-------	--------	-----	-------	------	--	--------	------

## RIDERS

<b>Riders Super Cub</b>		50	1	2011-		0.6	CR7HSA	4549		CR7HIX	7544
<b>Riders Super Cub</b>		110	1	2011-		0.6	CR7HSA	4549		CR7HIX	7544

\* Bitte Elektrodenabstand nach Angaben des Herstellers justieren

\* Please adjust the ground electrode gap

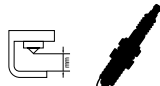
\* Veuillez vérifier l'écartement

\* Por favor, ajustar la distancia entre los electrodos

\* Regolare il gap

\* Iridium IX Spark Plug is the standard recommendation





Stock No.

Quick No.

Upgrade ↑

Stock No. ↑

**RIEJU**

<b>Drac 50</b>		50	1	-	Water fluid	0.5	B7ES	1111		BR7EIX	6664
<b>Drac 50</b>	AM5	50	1	1996-		0.6	BR8ES	5422	Q207	BR8EIX	5044
<b>Drac 50,</b>		50	1	-	Air	0.5	B6ES	7310			
<b>Helios 50</b>		50	1	-		0.5	B5HS	4210			
<b>Marathon 50</b>		50	1	-	Air	0.5	B6ES	7310			
<b>MRT 50</b>		50	1	-		0.6	BR9ES	5722		BR9EIX	3981
<b>MRT 50 Pro</b>		50	1	-		0.6	BR9ES	5722		BR9EIX	3981
<b>MRT 50 SM</b>		50	1	-		0.6	BR9ES	5722		BR9EIX	3981
<b>MRX 50</b>		50	1	2003-		0.7	BR8ES	5422	Q207	BR8EIX	5044
<b>MRX 50 EURO</b>	AM6	50	1	2002-		0.6	BR9ES	5722		BR9EIX	3981
<b>MRX 50 Top</b>	AM6	50	1	2003-		0.6	BR9ES	5722		BR9EIX	3981
<b>MX 50</b>		50	1	-		0.5	B6HS	4510		BR6HIX	3419
<b>MX 50 Infantil Morini S5</b>		50	1	2001-2001		0.5	B6HS	4510		BR6HIX	3419
<b>MX 50 Infantil Morini S6</b>		50	1	2002-		0.6	B9ES	2611	Q202	BR9EIX	3981
<b>MX 50 Infantil - Morini S6</b>		50	1	2002-		0.6	BR9ES	5722		BR9EIX	3981
<b>NKD 50</b>	AM6	50	1	2003-		0.6	BR9ES	5722		BR9EIX	3981
<b>Pony 50</b>		50	1	-		0.5	B5HS	4210			
<b>RR 50</b>	AM5	50	1	1997-		0.6	BR8ES	5422	Q207	BR8EIX	5044
<b>RR 50</b>	AM6	50	1	2001-		0.6	BR8ES	5422	Q207	BR8EIX	5044
<b>RR 50 Castrol</b>	AM6	50	1	2002-		0.6	BR9ES	5722		BR9EIX	3981
<b>RR 50 EURO</b>	AM6	50	1	2002-		0.6	BR9ES	5722		BR9EIX	3981
<b>RR 50 Racing</b>		50	1	-2000		0.7	BR8ES	5422	Q207	BR8EIX	5044
<b>RR 50 Spezial Edition</b>		50	1	2003-		0.7	BR8ES	5422	Q207	BR8EIX	5044
<b>RR 50 Spike</b>		50	1	-2000		0.7	BR8ES	5422	Q207	BR8EIX	5044
<b>RR 50 Spike Racing Pro</b>		50	1	2001-		0.7	BR8ES	5422	Q207	BR8EIX	5044
<b>RR 50 Supermotard</b>		50	1	-2000		0.7	BR8ES	5422	Q207	BR8EIX	5044
<b>RRX 50 Spike Supermoto</b>		50	1	2007-		0.5	BR8ES	5422	Q207	BR8EIX	5044
<b>RS1 50</b>	AM5	50	1	1997-		0.6	BR8ES	5422	Q207	BR8EIX	5044
<b>RS-1 50</b>		50	1	-	Water fluid	0.5	B7ES	1111		BR7EIX	6664
<b>RS1 50 EVO</b>	AM6	50	1	1998-		0.6	BR8ES	5422	Q207	BR8EIX	5044
<b>RS1 50 EVO</b>		50	1	1998-2004		0.8	BR9ES	5722		BR9EIX	3981
<b>RS1 50 EVO EURO</b>	AM6	50	1	2002-		0.6	BR9ES	5722		BR9EIX	3981
<b>RS1 50 Racing</b>		50	1	1997-2000		0.7	BR8ES	5422	Q207	BR8EIX	5044
<b>RS2 50 Matrix</b>	AM6	50	1	2003-		0.6	BR9ES	5722		BR9EIX	3981
<b>RS2 50 NKD</b>		50	1	-		0.7	BR9ES	5722		BR9EIX	3981
<b>RS2 50 NKD</b>		50	1	2003-		0.7	BR9ES	5722		BR9EIX	3981
<b>RS3 50</b>		50	1	2011-		0.7	BR9ES	5722		BR9EIX	3981
<b>RS3 50 NKD</b>		50	1	2011-		0.7	BR9ES	5722		BR9EIX	3981
<b>RS3 NKD</b>		50	1	2013-		0.7	BR9ES	5722		BR9EIX	3981
<b>RV 50</b>		50	1	-	Water fluid	0.5	B7ES	1111		BR7EIX	6664
<b>SMX 50</b>		50	1	2003-		0.7	BR8ES	5422	Q207	BR8EIX	5044
<b>SMX 50 EURO</b>	AM6	50	1	2002-		0.6	BR9ES	5722		BR9EIX	3981
<b>SMX 50 FR</b>		50	1	2008-		0.6	BR9ES	5722		BR9EIX	3981
<b>SMX 50 Pro</b>		50	1	2004-		0.7	BR9ES	5722		BR9EIX	3981
<b>Spike 50</b>		50	1	2003-		0.7	BR9ES	5722		BR9EIX	3981
<b>Sprint 50</b>		50	1	-		0.5	B5HS	4210			
<b>Strada GT 49</b>		50	1	-		0.5	B6ES	7310			
<b>Strada GT Sport</b>		50	1	-		0.5	B6ES	7310			
<b>Super Marathon 50</b>		50	1	-		0.5	B6ES	7310			
<b>Super Marathon 50 FDN</b>		50	1	-		0.5	B6ES	7310			

\*Bitte Elektrodenabstand nach Angaben des Herstellers justieren

\*Please adjust the ground electrode gap

\*Veuillez vérifier l'écartement

\* Por favor, ajustar la distancia entre los electrodos

\*Regolare il gap

\*\* Iridium IX Spark Plug is the standard recommendation





Stock No.

Quick No.

Upgrade ↑

Stock No. ↑

**RIEJU**

Super Marathon 50 MT		50	1	-		0.5	B6ES	7310			
Tango 50		50	1	2007-		0.7	BR9ES	5722		BR9EIX	3981
Varimat 50		50	1	-		0.5	B5HS	4210			
Windy 50	MY50	50	1	-		0.5	BR7HS	4737		BR7HIX	7067
Marathon 74 Enduro		75	1	-		0.5	B6ES	7310			
Marathon 74 TT		75	1	-		0.5	B6ES	7310			
Marathon 75 Cross		75	1	-		0.5	BR10EIX**	6801			
Marathon 75 Enduro		75	1	-		0.5	BR10EIX**	6801			
MR 74E		75	1	-		0.5	B6ES	7310			
MR 75E		75	1	-		0.5	B6ES	7310			
Strada GT75		75	1	-		0.5	B6ES	7310			
TT 406		75	1	-		0.5	B6HS	4510		BR6HIX	3419
MR 80 Cross		80	1	-		0.5	BR10EIX**	6801			
MR 80 E		80	1	-		0.5	B6ES	7310			
MR 80 Enduro		80	1	-		0.5	BR10EIX**	6801			
RST-80		80	1	-		0.5	B6ES	7310			
Endura 125		125	1	-		0.7	CR8E	4854	Q226	CR8EIX	4218
Marathon 125		125	1	-		0.7	CR8E	4854	Q226	CR8EIX	4218
MRX 125		125	1	2002-	YAMAHA	0.6	CR7HSA	4549		CR7HIX	7544
MRX 125		125	1	2003-		0.8	BR8ES	5422	Q207	BR8EIX	5044
RS2 125 Martix		125	1	2006-2011		0.8	CR7HSA	4549		CR7HIX	7544
RS2 125 NKD		125	1	2006-2011		0.8	CR7HSA	4549		CR7HIX	7544
RS2 125 Pro		125	1	2006-2011		0.8	CR7HSA	4549		CR7HIX	7544
RS3 125		125	1	2011-		0.7	CR8E	4854	Q226	CR8EIX	4218
RS3 125 NKD		125	1	2011-		0.7	CR8E	4854	Q226	CR8EIX	4218
SM 125		125	1	-		0.7	CR8E	4854	Q226	CR8EIX	4218
SMX 125		125	1	2002-	YAMAHA	0.6	CR7HSA	4549		CR7HIX	7544
SMX 125		125	1	2003-		0.8	BR8ES	5422	Q207	BR8EIX	5044
Tango 125 Pro		125	1	-		0.8	CR7HSA	4549		CR7HIX	7544
Marathon 250		250	1	2010-		0.7	CR8E	4854	Q226	CR8EIX	4218
Tango 250		250	1	-		0.7	D8EA	2120	Q216	DR8EIX	6681
Marathon 450		450	1	2010-		0.7	CR8E	4854	Q226	CR8EIX	4218

**RIERA**

Windy		50	1	-		0.5	BR7HS	4737		BR7HIX	7067
-------	--	----	---	---	--	-----	-------	------	--	--------	------

**RIVERO**

Linos 50		50	1	2004-2008		0.5	BPR7HS	6422		BPR7HIX	5944
Phönix 50		50	1	2006-2009		0.6	BPR8HSA	7937		BPR8HIX	6742
VR 25		50	1	-		0.6	BPR8HSA	7937		BPR8HIX	6742
VR 50		50	1	2008-2011		0.6	BPR8HSA	7937		BPR8HIX	6742
Phönix 125		125	1	2007-2009		0.6	CR7HS	7223		CR7HIX	7544

**ROVIGO**

Spoletto 50		50	1	1999-		0.6	BPR7HS	6422		BPR7HIX	5944
Tempesta 50		50	1	1999-		0.6	BPR7HS	6422		BPR7HIX	5944

**ROYAL**

Royal 125		125	1	1996-		0.6	C7HSA	4629		CR7HIX	7544
-----------	--	-----	---	-------	--	-----	-------	------	--	--------	------

**ROYAL ENFIELD**

Bonny 50		50	1	-		0.5	B6HS	4510		BR6HIX	3419
Sunny 50		50	1	-		0.5	B6HS	4510		BR6HIX	3419
KB 100		100	1	-		0.5	B8ES	2411	Q201	BR8EIX	5044
Scooter 125		125	1	-		0.5	B6HS	4510		BR6HIX	3419

\*Bitte Elektrodenabstand nach Angaben des Herstellers justieren

\*Please adjust the ground electrode gap

\*Veuillez vérifier l'écartement

\* Por favor, ajustar la distancia entre los electrodos

\*Regolare il gap

\* Iridium IX Spark Plug is the standard recommendation





Stock No.

Quick No.

Upgrade ↑

Stock No. ↑

**ROYAL ENFIELD**

Bullet Strada 350		350	1	-	14mm Thread Size / 19mm Thread Reach	0.6	BR6ES	4922			
Bullet Strada 350		350	1	-	14mm Thread Size / 12,7mm Thread Reach	0.6	BR6HS	4200		BR6HIX	3419
De Luxe		350	1	-	14mm Thread Size / 19mm Thread Reach	0.6	BR6ES	4922			
De Luxe		350	1	-	14mm Thread Size / 12,7mm Thread Reach	0.6	BR6HS	4200		BR6HIX	3419
India 350		350	1	-		0.5	B7HS	5110		BR7HIX	7067
Super Star		350	1	-	14mm Thread Size / 19mm Thread Reach	0.6	BR6ES	4922			
Super Star		350	1	-	14mm Thread Size / 12,7mm Thread Reach	0.6	BR6HS	4200		BR6HIX	3419
Bullet 500		500	1	-	14mm Thread Size / 19mm Thread Reach	0.6	B8ES	2411	Q201	BR8EIX	5044
Bullet 500		500	1	-	14mm Thread Size / 12,7mm Thread Reach	0.6	B8HS	5510		BR8HIX	7001
Bullet 500 de Luxe		500	1	-		0.7	BR8ES	5422	Q207	BR8EIX	5044
Bullet 500 Silverstar		500	1	-		0.7	BR8ES	5422	Q207	BR8EIX	5044
Bullet 500 Standard		500	1	-		0.7	BR8ES	5422	Q207	BR8EIX	5044
Bullet Electra 500		500	1	-		0.5	B9ES	2611	Q202	BR9EIX	3981
Bullet Electra X		500	1	2004-		0.8	BR9ES	5722		BR9EIX	3981
Bullet Sixty 5		500	1	-		0.7	BR8ES	5422	Q207	BR8EIX	5044
India		500	1	-		0.5	B8ES	2411	Q201	BR8EIX	5044

**RTX**

C 125		125	1	-		0.5	B7HS	5110		BR7HIX	7067
T 125		125	1	-		0.5	B7HS	5110		BR7HIX	7067
C 212		212	1	-		0.5	B8HS	5510		BR8HIX	7001
T 212		212	1	-		0.5	B8HS	5510		BR8HIX	7001

**S.I.S.**

4 Cyclone		50	1	-		0.5	B8HS	5510		BR8HIX	7001
Almirante 4		50	1	-		0.5	B8HS	5510		BR8HIX	7001
Almirante 5		50	1	-		0.5	B8HS	5510		BR8HIX	7001
Asa d'Ouro		50	1	-		0.6	B6HS	4510		BR6HIX	3419
Brass		50	1	-		0.6	B6HS	4510		BR6HIX	3419
EKO 70		50	1	-		0.5	B7HS	5110		BR7HIX	7067
Felino		50	1	-		0.5	B7HS	5110		BR7HIX	7067
Lebre		50	1	-		0.5	B8HS	5510		BR8HIX	7001
Mini Sport		50	1	-		0.5	B7HS	5110		BR7HIX	7067
Mini Turismo		50	1	-		0.5	B7HS	5110		BR7HIX	7067
Minor GT		50	1	-		0.6	B6HS	4510		BR6HIX	3419
V4		50	1	-		0.5	B8HS	5510		BR8HIX	7001
V5 Sport		50	1	-		0.5	B8HS	5510		BR8HIX	7001
V5 Super Sport		50	1	-		0.5	B8HS	5510		BR8HIX	7001
V5 Turismo		50	1	-		0.5	B8HS	5510		BR8HIX	7001

**SACHS**

49er		50	1	2005-		0.5	CR7HSA	4549		CR7HIX	7544
4 Rock		50	1	2006-		0.7	BPR7HS	6422		BPR7HIX	5944
Bee 50		50	1	2007-2010		0.6	BPR6HS	7022		BPR6HIX	4085
Buxy 50		50	1	-		0.6	B7HS	5110		BR7HIX	7067
Buxy 50 RS		50	1	-		0.6	B7HS	5110		BR7HIX	7067
City Roller CV 50		50	1	-		0.7	BPR6HS	7022		BPR6HIX	4085
Dirty Devil 50		50	1	-		0.5	BP5HS	4111			

\*Bitte Elektrodenabstand nach Angaben des Herstellers justieren

\*Please adjust the ground electrode gap

\*Veuillez vérifier l'écartement

\* Por favor, ajustar la distancia entre los electrodos

\*Regolare il gap

\*\* Iridium IX Spark Plug is the standard recommendation





Stock No.

Quick No.

Upgrade ↑

Stock No. ↑

**SACHS**

Eagle 50	50	1	2009-		0.5	BR8HSA	5539			
Enduro ZX 50	50	1	-		0.5	BR8ES	5422	Q207	BR8EIX	5044
Jogging	50	1	-		0.5	B6HS	4510		BR6HIX	3419
KX 50	50	1	1997-		0.5	B6HS	4510		BR6HIX	3419
Lastboy	50	1	-		0.5	B7HS	5110		BR7HIX	7067
Limbo	50	1	-		0.6	BP6HS	4511		BPR6HIX	4085
MadAss 50	50	1	2004-2010		0.6	CR7HSA	4549		CR7HIX	7544
Optima 50	50	1	1996-2002		0.5	BR8HS	4915	Q212	BR8HIX	7001
Prima 2	50	1	-		0.5	BR5HS	3722			
Prima 3	50	1	-		0.5	B6HS	4510		BR6HIX	3419
Prima 4	50	1	-		0.5	B6HS	4510		BR6HIX	3419
Prima 4LN	50	1	-		0.5	B6HS	4510		BR6HIX	3419
Prima 5	50	1	-		0.5	B6HS	4510		BR6HIX	3419
Prima 5LN	50	1	-		0.5	B6HS	4510		BR6HIX	3419
Prima 6	50	1	-		0.5	B6HS	4510		BR6HIX	3419
Prima G3	50	1	-		0.5	B6HS	4510		BR6HIX	3419
Prima GT	50	1	-		0.5	B6HS	4510		BR6HIX	3419
Prima GX	50	1	-		0.5	B6HS	4510		BR6HIX	3419
Prima Presto	50	1	-		0.5	B6HS	4510		BR6HIX	3419
Prima Pronto	50	1	-		0.5	B6HS	4510		BR6HIX	3419
Prima S	50	1	-		0.5	B6HS	4510		BR6HIX	3419
Prima SL	50	1	-		0.5	B6HS	4510		BR6HIX	3419
Prima SX	50	1	-		0.5	B6HS	4510		BR6HIX	3419
Reggae	50	1	-		0.6	B7HS	5110		BR7HIX	7067
Reggae RS	50	1	-		0.6	B7HS	5110		BR7HIX	7067
Samba SR	50	1	-		0.5	B8HS	5510		BR8HIX	7001
Speedake	50	1	-		0.6	B7HS	5110		BR7HIX	7067
Speedfight 50 AC	50	1	1997-	Air	0.6	BR7HS	4737		BR7HIX	7067
Speedfight 50 LC	50	1	1997-	Water fluid	0.6	BR7HS	4737		BR7HIX	7067
Speedfight 50 LC ADT	50	1	1997-	Water fluid	0.6	BR7HS	4737		BR7HIX	7067
Speedforce 25	50	1	2007-		0.6	BPR6HS	7022		BPR6HIX	4085
Speedforce 50	50	1	2007-		0.6	BPR6HS	7022		BPR6HIX	4085
Speedforce R50	50	1	2007-		0.6	BPR6HS	7022		BPR6HIX	4085
Speedjet 25	50	1	-		0.6	BPR6HS	7022		BPR6HIX	4085
Speedjet 50	50	1	2007-2010		0.6	BPR6HS	7022		BPR6HIX	4085
Speedjet 50 R	50	1	2008-2010		0.7	BPR7HS	6422		BPR7HIX	5944
Speedjet 50 RS	50	1	2011-		0.7	BPR7HS	6422		BPR7HIX	5944
Splinter 50	50	1	1996-1997		0.6	B7HS	5110		BR7HIX	7067
Squab	50	1	-		0.6	BR8HS	4915	Q212	BR8HIX	7001
SR 50	50	1	-		0.6	B8HS	5510		BR8HIX	7001
SV 50	50	1	-		0.6	B8HS	5510		BR8HIX	7001
SV 50 Junior	50	1	-		0.6	B8HS	5510		BR8HIX	7001
SX1	50	1	-		0.6	BPR6HS	7022		BPR6HIX	4085
T-Rex 50	50	1	2004-2005		0.6	BPR7HS	6422		BPR7HIX	5944
Ultra 50	50	1	-		0.5	B9ES	2611	Q202	BR9EIX	3981
Zenith	50	1	-		0.6	BP6HS	4511		BPR6HIX	4085
ZX 1	50	1	-		0.5	B7ES	1111		BR7EIX	6664
City Roller CV 80	80	1	-		0.7	BPR6HS	7022		BPR6HIX	4085
City Roller CV 80 E	80	1	-		0.7	BR8HS	4915	Q212	BR8HIX	7001
RX 9	80	1	-		0.5	B8HS	5510		BR8HIX	7001
SR 80	80	1	-		0.6	B8HS	5510		BR8HIX	7001
SV 80	80	1	-		0.6	B8HS	5510		BR8HIX	7001

\*Bitte Elektrodenabstand nach Angaben des Herstellers justieren

\*Please adjust the ground electrode gap

\*Veuillez vérifier l'écartement

\* Por favor, ajustar la distancia entre los electrodos

\*Regolare il gap

\* Iridium IX Spark Plug is the standard recommendation





Stock No.

Quick No.

Upgrade ↑

Stock No. ↑

**SACHS**

Ultra 80 LC		80	1	-		0.5	B8HS	5510		BR8HIX	7001
K 100 X		100	1	-		0.5	B8HS	5510		BR8HIX	7001
4 rock		110	1	2006-		0.7	BPR7HS	6422		BPR7HIX	5944
Dirty Devil 110		110	1	-		0.6	C7HSA	4629		CR7HIX	7544
Eagle 125		125	1	2009-		0.6	CR7HSA	4549		CR7HIX	7544
MadAss 125		125	1	2006-2010		0.8	CR7HSA	4549		CR7HIX	7544
Roadster 125 V2		125	1	1998-		0.8	CR6HSA	2983		CR6HIX	7274
RS 125		125	1	1997-		0.7	BR8ES	5422	Q207	BR8EIX	5044
SR 125		125	1	-		0.6	BP6HS	4511		BPR6HIX	4085
SR 125 C		125	1	-		0.6	BP6HS	4511		BPR6HIX	4085
Superduke		125	1	1997-		0.6	C7HSA	4629		CR7HIX	7544
SV 125		125	1	-		0.6	BP6HS	4511		BPR6HIX	4085
SV 125 C		125	1	-		0.6	BP6HS	4511		BPR6HIX	4085
X-Road 125		125	1	-		0.6	CR8E	4854	Q226	CR8EIX	4218
XTC 125		125	1	2002-2007	10mm Thread Size / 19mm Thread Reach	0.7	CR8E	4854	Q226	CR8EIX	4218
XTC 125 V2		125	1	1998-2001	15hp	0.8	BR9ES	5722		BR9EIX	3981
XTC-N 125		125	1	1998-2001	11hp	0.8	BR8ES	5422	Q207	BR8EIX	5044
XTC-N 125 Racing 'V2		125	1	1998-2001	11hp	0.8	BR8ES	5422	Q207	BR8EIX	5044
ZX 125		125	1	1997-	15hp	0.6	BR9ES	5722		BR9EIX	3981
ZX 125		125	1	1997-	11hp	0.6	BR8ES	5422	Q207	BR8EIX	5044
ZX 125		125	1	1997-		0.7	BR8ES	5422	Q207	BR8EIX	5044
ZZ 125		125	1	2001-	14hp	0.8	BR9ES	5722		BR9EIX	3981
ZZ 125		125	1	2001-		0.8	BR8ES	5422	Q207	BR8EIX	5044
4 rock		150	1	2006-		0.7	C7HSA	4629		CR7HIX	7544
Helix		150	1	2006-		0.6	C7HSA	4629		CR7HIX	7544
4 rock 250		250	1	2006-		0.7	CR8HSA	2086		CR8HIX	7669
W 2000		294	1	-		0.5	BR7ES	5122		BR7EIX	6664
Roadster 650		650	1	1999-		0.8	CR9E	6263	Q227	CR9EIX	3521
Roadster 800		800	2	2001-		0.9	DPR8EA-9	4929	Q221	DPR8EIX-9	2202
B 805		805	2	2002-		0.9	DPR8EA-9	4929	Q221	DPR8EIX-9	2202

**SANYANG**

Bullet 50		50	1	-		0.6	BR8HSA	5539			
Bullet 50 B		50	1	-		0.6	BR8HSA	5539			
Bullet 50 G5A		50	1	-		0.6	BR8HSA	5539			
DD 50		50	1	-		0.6	BR8HSA	5539			
DD 50 Mofa		50	1	-		0.6	BR8HSA	5539			
DIO		50	1	-		0.6	BR8HSA	5539			
DIO B		50	1	-		0.6	BR8HSA	5539			
DIO E		50	1	-		0.6	BR8HSA	5539			
DIO F5A		50	1	-		0.6	BR8HSA	5539			
Fancy 50		50	1	1995-		0.6	BR8HSA	5539			
Flash 50		50	1	-		0.6	BR8HSA	5539			
Free 50		50	1	-		0.6	BR8HSA	5539			
Jet 50		50	1	-		0.6	BR8HSA	5539			
Jet Euro X		50	1	-		0.6	BR8HSA	5539			
Jet Mio 50		50	1	-	Italy	0.6	BR8HSA	5539			
Mike 50		50	1	-		0.6	BR8HSA	5539			
Pure 50		50	1	-	Italy	0.6	BR8HSA	5539			
Red Devil 50		50	1	-		0.6	BR8HSA	5539			
RS 50		50	1	-		0.6	BR8HSA	5539			
Shark RS 50		50	1	-		0.6	BR8HSA	5539			

\*Bitte Elektrodenabstand nach Angaben des Herstellers justieren

\*Please adjust the ground electrode gap

\*Veuillez vérifier l'écartement

\* Por favor, ajustar la distancia entre los electrodos

\*Regolare il gap

\*\* Iridium IX Spark Plug is the standard recommendation





Stock No.

Quick No.

Upgrade ↑

Stock No. ↑

**SANYANG**

Super Fancy 50		50	1	-		0.6	BR8HSA	5539			
Duke 125		125	1	-		0.6	C7HSA	4629		CR7HIX	7544
Euro MX 125		125	1	-		0.6	CR7HSA	4549		CR7HIX	7544
GTS 125		125	1	-		0.7	CR8E	4854	Q226	CR8EIX	4218
HD 125 Evo		125	1	-		0.7	CR8E	4854	Q226	CR8EIX	4218
Husky 125		125	1	1995-		0.7	DR8EA	7162		DR8EIX	6681
Joyride 125		125	1	-		0.6	CR7HSA	4549		CR7HIX	7544
RS 4V 125		125	1	-		0.6	CR7HSA	4549		CR7HIX	7544
Super Duke 125		125	1	-		0.6	C7HSA	4629		CR7HIX	7544
HD 200 i		171	1	-		0.7	CR8E	4854	Q226	CR8EIX	4218
GTS 250		250	1	-		0.7	CR8E	4854	Q226	CR8EIX	4218

**SASY**

Classic 200 E		50	1	1996-		0.5	BPR6HS	7022		BPR6HIX	4085
JC 50		50	1	1996-		0.6	C7HSA	4629		CR7HIX	7544
Jet 50		50	1	1996-		0.5	BPR6HS	7022		BPR6HIX	4085
Mulan B		50	1	1996-		0.5	BPR6HS	7022		BPR6HIX	4085
Mulan Super AG		50	1	1996-		0.5	BPR6HS	7022		BPR6HIX	4085
Standard 50		50	1	1996-		0.5	BPR6HS	7022		BPR6HIX	4085

**SCORPA**

4-Tricks		70	1	2006-2007		0.7	CR7HSA	4549		CR7HIX	7544
SR 125 R		125	1	2011-		0.5	BP5ES	6511		BPR5EIX	6597
SY 125 FR		125	1	2003-2009		0.7	CR7HSA	4549		CR7HIX	7544
TY 125 F		125	1	2012-		0.7	CR6HSA	2983		CR6HIX	7274
TY-S 125 F		125	1	2004-2006		0.7	CR7HSA	4549		CR7HIX	7544
SY 175 F		175	1	2003-2009		0.7	CR7HSA	4549		CR7HIX	7544
SY 175 FR		175	1	2003-2009		0.7	CR7HSA	4549		CR7HIX	7544
TY-S 175 F		175	1	2003-2009		0.7	CR7HSA	4549		CR7HIX	7544
Easy Trial 250		250	1	1994-		0.6	BP5ES	6511		BPR5EIX	6597
SY 250		250	1	-		*	BPR6EIX**	6637			
SY 250 F Long Rider		250	1	2007-		0.8	CR8E	4854	Q226	CR8EIX	4218
SY 250 FR		250	1	2007-		0.6	CR8E	4854	Q226	CR8EIX	4218
SY 250 Long Ride		250	1	2000-2005		0.6	BPR6EIX**	6637			
SY 250 Long Ride		250	1	2006-2009		*	BKR5EIX**	6341			
SY 250 Racing		250	1	2001-2009		*	BKR5EIX**	6341			
T-Ride 250 F		250	1	2008-		0.6	CR8E	4854	Q226	CR8EIX	4218
TY 250		250	1	-		*	BKR6EIX**	6418			
TY 250 E		250	1	-		*	BKR6EIX**	6418			
Easy Trial 280		280	1	1994-		0.6	BP5ES	6511		BPR5EIX	6597
SR 280 R		280	1	2011-		0.5	BP5ES	6511		BPR5EIX	6597
294 / 295		300	1	-		0.5	BP5ES	6511		BPR5EIX	6597

**SHE LUNG**

Club		50	1	-		0.6	BP7HS	5111		BPR7HIX	5944
Racer		50	1	-		0.6	BP7HS	5111		BPR7HIX	5944

**SHERCO**

0.5 Kid		50		-		0.6	B9ES	2611	Q202	BR9EIX	3981
Base 50		50		-		0.7	BR9ES	5722		BR9EIX	3981
Enduro 50		50	1	2002-		0.5	BR8ES	5422	Q207	BR8EIX	5044
Enduro 50		50	1	2007-2010		0.6	BR9ES	5722		BR9EIX	3981
HRD 50		50	1	2003-		0.7	BR9ES	5722		BR9EIX	3981
Ipone 50 Replica		50		-		0.7	BR9ES	5722		BR9EIX	3981

\*Bitte Elektrodenabstand nach Angaben des Herstellers justieren

\*Please adjust the ground electrode gap

\*Veuillez vérifier l'écartement

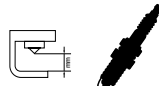
\* Por favor, ajustar la distancia entre los electrodos

\*Regolare il gap

\* Iridium IX Spark Plug is the standard recommendation







Stock No.

Quick No.

Upgrade ↑

Stock No. ↑

**SHERCO**

<b>SE 50 R</b>		50	1	2011-		0.7	BR9ES	5722		BR9EIX	3981
<b>SM 50</b>		50	1	2008-		0.6	BR9ES	5722		BR9EIX	3981
<b>SM 50 Black Panther</b>		50	1	2008-		0.6	BR9ES	5722		BR9EIX	3981
<b>SM 50 Champion</b>		50	1	2008-		0.6	BR9ES	5722		BR9EIX	3981
<b>SM 50 Sherco</b>		50	1	2008-		0.6	BR9ES	5722		BR9EIX	3981
<b>SM 50 Supermotard R</b>		50	1	2007-		0.6	BR9ES	5722		BR9EIX	3981
<b>Supermotard 50</b>		50	1	2008-		0.6	BR9ES	5722		BR9EIX	3981
<b>Super Motard 50</b>		50	1	2002-		0.5	BR8ES	5422	Q207	BR8EIX	5044
<b>Trial Kid 50 0,5</b>		50	1	2002-	Italy	0.5	B9ES	2611	Q202	BR9EIX	3981
<b>Trial 80 0,8 ST</b>		75	1	2007-		0.7	BP5ES	6511		BPR5EIX	6597
<b>Academy</b>		125		2009-		0.6	BP5ES	6511		BPR5EIX	6597
<b>City Corp 125</b>		125	1	2003-2007	Water fluid	0.5	CR7HSA	4549		CR7HIX	7544
<b>City Corp 125 Enduro</b>		125	1	2008-	Water fluid	0.5	CR6HSA	2983		CR6HIX	7274
<b>City Corp 125 Supermotard</b>		125	1	2008-	Water fluid	0.5	CR6HSA	2983		CR6HIX	7274
<b>ST 1.25</b>		125	1	2001-		0.6	BP5ES	6511		BPR5EIX	6597
<b>Trial 125 1,25</b>		125	1	2000-		0.5	BP5ES	6511		BPR5EIX	6597
<b>Trial 125 1,25</b>		125	1	2008-		0.7	BP5ES	6511		BPR5EIX	6597
<b>X-Ride 125</b>		125	1	2014-		0.6	BPR5ES	7422		BPR5EIX	6597
<b>2.0</b>		200	1	1999-		0.6	BP5ES	6511		BPR5EIX	6597
<b>2.5</b>		249	1	2001-		0.6	BP5ES	6511		BPR5EIX	6597
<b>2.5i-F</b>		250	1	2008-2011		0.7	CR8EK	3478			
<b>Access 2.5</b>		250	1	2010-		0.6	BP5ES	6511		BPR5EIX	6597
<b>Scottish Six Days Winner</b>		250	1	2000-		0.5	BP5ES	6511		BPR5EIX	6597
<b>SE 250</b>		250	1	2014-		0.6	BR8ES	5422	Q207	BR8EIX	5044
<b>SE 250i</b>		250	1	2012-		0.7	CR8EK	3478			
<b>SEF 250</b>		250	1	2014-		0.7	CR8EK	3478			
<b>SEF-R 250</b>		250	1	2014-		0.7	CR8EK	3478			
<b>SE-R 250</b>		250	1	2014-		0.6	BR8ES	5422	Q207	BR8EIX	5044
<b>ST 250</b>		250	1	2014-		0.6	BP5ES	6511		BPR5EIX	6597
<b>ST 250 2.5</b>		250	1	1999-		0.6	BP5ES	6511		BPR5EIX	6597
<b>Trial 2,5</b>		250	1	2000-		0.5	BP5ES	6511		BPR5EIX	6597
<b>Trial 2,9</b>		250	1	2000-		0.5	BP5ES	6511		BPR5EIX	6597
<b>2.9</b>		272	1	2001-		0.6	BP5ES	6511		BPR5EIX	6597
<b>X-Ride 290</b>		272	1	2012-		0.6	BPR5ES	7422		BPR5EIX	6597
<b>290 2,9 ST</b>		290	1	2014-		0.6	BP5ES	6511		BPR5EIX	6597
<b>290 2.9 ST</b>		290	1	1999-		0.6	BP5ES	6511		BPR5EIX	6597
<b>3.0i-F</b>		290	1	2010-2011		0.7	CR8EK	3478			
<b>Access 2.9</b>		290	1	2010-		0.6	BP5ES	6511		BPR5EIX	6597
<b>SE 300i</b>		290	1	2012-		0.7	CR8EK	3478			
<b>X-Ride 290</b>		290	1	2014-		0.6	BP5ES	6511		BPR5EIX	6597
<b>SE 300</b>		300	1	2014-		0.6	BR8ES	5422	Q207	BR8EIX	5044
<b>SEF 300</b>		300	1	2014-		0.7	CR8EK	3478			
<b>SEF-R 300</b>		300	1	2014-		0.7	CR8EK	3478			
<b>SE-R 300</b>		300	1	2014-		0.6	BR8ES	5422	Q207	BR8EIX	5044
<b>Trial 305 ST</b>		305	1	2014-		0.6	BP5ES	6511		BPR5EIX	6597
<b>Trial 320 3.2</b>		317	1	2006-		0.6	BCPR6E	1269		BCPR6EIX	5689
<b>4.5 Enduro</b>		448	1	2005-		0.6	CR8EK	3478			
<b>4.5 Supermotard</b>		448	1	2005-		0.6	CR8EK	3478			
<b>450i</b>		448	1	2008-		0.6	CR8EK	3478			
<b>4.5</b>		450	1	2005-		0.7	CR8EK	3478			
<b>4.5i-F 4T</b>		450	1	2004-		0.7	CR8EK	3478			

\*Bitte Elektrodenabstand nach Angaben des Herstellers justieren

\*Please adjust the ground electrode gap

\*Veuillez vérifier l'écartement

\* Por favor, ajustar la distancia entre los electrodos

\*Regolare il gap

\*\* Iridium IX Spark Plug is the standard recommendation





Stock No.

Quick No.

Upgrade ↑

Stock No. ↑

**SHERCO**

<b>5.1 Enduro</b>		510	1	2008-		0.6	CR8EK	3478			
<b>5.1i</b>		510	1	2005-		0.7	CR8EK	3478			
<b>5.1 Supermotard</b>		510	1	2008-		0.6	CR8EK	3478			

**SIAM**

<b>Falkon 50</b>		50	1	1997-		0.6	BR7HS	4737		BR7HIX	7067
<b>Scross 50</b>		50	1	-		0.7	BPR6HS	7022		BPR6HIX	4085

**SIAMOTO**

<b>Birdie 25</b>		25	1	1999-		0.7	BPR6HS	7022		BPR6HIX	4085
<b>Birdie 25 Mofa</b>		25	1	1999-		0.6	BPR6HS	7022		BPR6HIX	4085
<b>Birdie 50 Mokick</b>		50	1	1999-		0.6	BPR6HS	7022		BPR6HIX	4085
<b>Scoss 50</b>		50	1	1999-		0.5	BR7HS	4737		BR7HIX	7067
<b>Capri 125</b>		125	1	1999-		0.7	C7HSA	4629		CR7HIX	7544
<b>Favourite 125</b>		125	1	1999-		0.7	C7HSA	4629		CR7HIX	7544
<b>KD 125</b>		125	1	1999-		0.7	C7HSA	4629		CR7HIX	7544

**SIMSON**

<b>Albatros</b>		50	1	1997-2001		0.4	B8HS	5510		BR8HIX	7001
<b>City 2000</b>		50	1	1995-		0.6	B8HS	5510		BR8HIX	7001
<b>Habicht 25</b>		50	1	1996-2001		0.4	B8HS	5510		BR8HIX	7001
<b>Habicht 50</b>		50	1	1996-2001		0.4	B8HS	5510		BR8HIX	7001
<b>Habicht 50 Basic</b>		50	1	1996-2002		0.4	B8HS	5510		BR8HIX	7001
<b>Habicht 50 S</b>		50	1	1996-1998		0.4	B8HS	5510		BR8HIX	7001
<b>Sperber 50 Basic</b>		50	1	-		0.4	B8HS	5510		BR8HIX	7001
<b>SR 50</b>	1B	50	1	-		0.6	B8HS	5510		BR8HIX	7001
<b>SR 50 CC</b>		50	1	1993-		0.6	B8HS	5510		BR8HIX	7001
<b>SR 50 CCE</b>		50	1	1993-		0.6	B8HS	5510		BR8HIX	7001
<b>SR 50 Gamma</b>	1XG	50	1	-		0.6	B8HS	5510		BR8HIX	7001
<b>SR 50 Gamma</b>	1XCE	50	1	-		0.6	B8HS	5510		BR8HIX	7001
<b>SR 50 XC</b>		50	1	1993-		0.6	B8HS	5510		BR8HIX	7001
<b>SR 50 XCE</b>		50	1	1993-		0.6	B8HS	5510		BR8HIX	7001
<b>SR 50 XG</b>		50	1	1993-		0.6	B8HS	5510		BR8HIX	7001
<b>Star 25</b>		50	1	1996-		0.4	B8HS	5510		BR8HIX	7001
<b>Star 25 Base E</b>		50	1	1996-		0.4	B8HS	5510		BR8HIX	7001
<b>Star 50</b>		50	1	1996-		0.7	BPR6HS	7022		BPR6HIX	4085
<b>Star Classic 50</b>		50	1	1996-		0.4	B8HS	5510		BR8HIX	7001
<b>Star Classic 50 Hot Summer</b>		50	1	1996-		0.4	B8HS	5510		BR8HIX	7001
<b>Trucky SD 50 CT</b>		50	1	1996-		0.4	B8HS	5510		BR8HIX	7001
<b>Hot Summer 80</b>		70	1	1997-		0.4	B9HS	5810		BR9HIX	5687
<b>Star Classic 80</b>		70	1	1997-		0.4	B9HS	5810		BR9HIX	5687
<b>Habicht 80</b>		80	1	1996-2001		0.4	B8HS	5510		BR8HIX	7001
<b>Habicht 80 Basic</b>		80	1	1996-2002		0.4	B8HS	5510		BR8HIX	7001
<b>Habicht 80 S</b>		80	1	1996-1998		0.4	B8HS	5510		BR8HIX	7001
<b>Hot Summer 80</b>		80	1	1996-		0.4	B8HS	5510		BR8HIX	7001
<b>Sperber 80 Basic</b>		80	1	1996-1997		0.4	B8HS	5510		BR8HIX	7001
<b>SR 80</b>		80	1	-		0.6	B8HS	5510		BR8HIX	7001
<b>SR 80</b>		80	1	1993-1995		0.6	B8HS	5510		BR8HIX	7001
<b>SR 80 1B</b>		80	1	1993-1995		0.6	B8HS	5510		BR8HIX	7001
<b>SR 80 1XCE</b>		80	1	-		0.6	B8HS	5510		BR8HIX	7001
<b>Star Classic 80</b>		80	1	1996-		0.4	B8HS	5510		BR8HIX	7001

**SINNIS**

<b>Eagle</b>		50	1	2006-		0.6	BPR7HS	6422		BPR7HIX	5944
--------------	--	----	---	-------	--	-----	--------	------	--	---------	------

\* Bitte Elektrodenabstand nach Angaben des Herstellers justieren

\* Please adjust the ground electrode gap

\* Veuillez vérifier l'écartement

\* Por favor, ajustar la distancia entre los electrodos

\* Regolare il gap

\* Iridium IX Spark Plug is the standard recommendation





Stock No.

Quick No.

Upgrade ↑

Stock No. ↑

**SINNIS**

Falcon		50	1	2006-		0.6	CR7HSA	4549		CR7HIX	7544
Flair		50	1	2012-		0.6	CR7HSA	4549		CR7HIX	7544
Ghost		50	1	2006-2009		0.6	BPR7HS	6422		BPR7HIX	5944
Hawk		50	1	2006-		0.6	BPR7HS	6422		BPR7HIX	5944
Jet		50	1	2006-		0.6	CR7HSA	4549		CR7HIX	7544
Nitro		50	1	2006-2009		0.6	BPR7HS	6422		BPR7HIX	5944
Phoenix		50	1	2012-		0.6	BPR7HS	6422		BPR7HIX	5944
Pioneer		50	1	2006-2009		0.6	BPR7HS	6422		BPR7HIX	5944
Strike		50	1	2006-2009		0.6	BPR7HS	6422		BPR7HIX	5944
Breeze		110	1	2006-2009		0.6	CR7HSA	4549		CR7HIX	7544
Apache		125	1	2007-		0.7	CR8E	4854	Q226	CR8EIX	4218
Blade		125	1	2007-		0.7	CR8E	4854	Q226	CR8EIX	4218
Eagle		125	1	2007-		0.6	CR7HSA	4549		CR7HIX	7544
Eco City		125	1	2010-		0.6	CR7HSA	4549		CR7HIX	7544
Matrix		125	1	2007-		0.6	CR7HSA	4549		CR7HIX	7544
Matrix II		125	1	2007-		0.6	CR7HSA	4549		CR7HIX	7544
Max		125	1	2007-		0.7	CR8E	4854	Q226	CR8EIX	4218
Nitro		125	1	2007-		0.6	CR7HSA	4549		CR7HIX	7544
Pioneer		125	1	2007-		0.6	CR7HSA	4549		CR7HIX	7544
Spirit		125	1	2012-		0.6	CR7HSA	4549		CR7HIX	7544
Stealth		125	1	2007-		0.7	CR8E	4854	Q226	CR8EIX	4218
Sublime		125	1	2007-		0.6	CR7HSA	4549		CR7HIX	7544
Trackstar		125	1	2010-		0.7	CR8E	4854	Q226	CR8EIX	4218
Vista		125	1	2007-		0.7	CR8E	4854	Q226	CR8EIX	4218
Apache		200	1	2007-2009		0.7	DR8ES-L	2923	Q218	DR9EIX	4772
Blade		200	1	2007-2009		0.7	DR8ES-L	2923	Q218	DR9EIX	4772

**SKYTEAM**

Wacky ST125		125	1	-		0.7	C7HSA	4629		CR7HIX	7544
Wacky ST125 Y		125	1	-		0.7	C7HSA	4629		CR7HIX	7544

**SMC**

NAF 50 Navigator		50	1	-		0.6	BPR7HS	6422		BPR7HIX	5944
NGF 50 Sports Force		50	1	-		0.6	BPR7HS	6422		BPR7HIX	5944
NKF 50 off road		50	1	-		0.6	BPR7HS	6422		BPR7HIX	5944
NKF 50 on road		50	1	-		0.6	BPR7HS	6422		BPR7HIX	5944
NLFR 50 Caprillio		50	1	-		0.6	BPR7HS	6422		BPR7HIX	5944
PAF 50 Partner		50	1	-		0.6	BPR7HS	6422		BPR7HIX	5944
SBF 50 Super		50	1	-		0.6	BPR7HS	6422		BPR7HIX	5944
NGN 90 Sports Force		90	1	-		0.6	BPR7HS	6422		BPR7HIX	5944
SBN 90 Super		90	1	-		0.6	BPR7HS	6422		BPR7HIX	5944
NKO 100 off road		100	1	-		0.6	BPR7HS	6422		BPR7HIX	5944
NKO 100 on road		100	1	-		0.6	BPR7HS	6422		BPR7HIX	5944
SBO 100 Super		100	1	-		0.6	BPR7HS	6422		BPR7HIX	5944
CHP 125 Chopper		125	1	-		0.7	DR8EA	7162		DR8EIX	6681

**SPIGAOU**

Dax 50		50	1	-		0.7	CR7HSA	4549		CR7HIX	7544
Dax 125		125	1	-	LONCIN	0.7	CR7HSA	4549		CR7HIX	7544

**STAR QUAD**

Jinlun Scooter 50	JL50QT-5	50	1	-		0.7	C7HSA	4629		CR7HIX	7544
-------------------	----------	----	---	---	--	-----	-------	------	--	--------	------

**STEFFEN**

Steffi		50	1	1998-		0.6	BP6HS	4511		BPR6HIX	4085
--------	--	----	---	-------	--	-----	-------	------	--	---------	------

\*Bitte Elektrodenabstand nach Angaben des Herstellers justieren

\*Please adjust the ground electrode gap

\*Veuillez vérifier l'écartement

\* Por favor, ajustar la distancia entre los electrodos

\*Regolare il gap

\*\* Iridium IX Spark Plug is the standard recommendation





Stock No.

Quick No.

Upgrade ↑

Stock No. ↑

**STEFFEN**

<b>Steffi S</b>		50	1	1998-		0.6	BP6HS	4511		BPR6HIX	4085
-----------------	--	----	---	-------	--	-----	-------	------	--	---------	------

**SUNDIRO**

<b>Speedy 50</b>		50	1	1996-		0.6	BR9EIX**	3981			
<b>Speedy 80</b>		80	1	-		0.6	BR9EIX**	3981			
<b>Phönix XDZ 125 T</b>		125	1	1996-		0.6	CR7HSA	4549		CR7HIX	7544
<b>Phönix XDZ 125 TA</b>		125	1	1996-		0.6	CR7HSA	4549		CR7HIX	7544
<b>Phönix XDZ 125 TN</b>		125	1	1996-		0.6	DR8EA	7162		DR8EIX	6681

**SUPERBYKE**

<b>M-PED 50</b>		50	1	2006-		0.6	CR7HSA	4549		CR7HIX	7544
<b>Powerband 50</b>		50	1	2006-	14mm Thread Size / 12,7mm Thread Reach	0.6	BPR7HS	6422		BPR7HIX	5944
<b>Powermax 50</b>		50	1	2008-	14mm Thread Size / 12,7mm Thread Reach	0.6	BPR7HS	6422		BPR7HIX	5944
<b>Powerband 125</b>		125	1	2006-		0.6	CR7HSA	4549		CR7HIX	7544
<b>RBP 125</b>		125	1	2006-		0.7	D8EA	2120	Q216	DR8EIX	6681
<b>RMR 125</b>		125	1	-		0.7	CR8E	4854	Q226	CR8EIX	4218
<b>Smax 125</b>		125	1	2008-		0.6	CR7HSA	4549		CR7HIX	7544

**SUZUKI**

<b>A 50</b>		50	1	-	Constr.Code K	0.7	BR8HS	4915	Q212	BR8HIX	7001
<b>A 50</b>		50	1	-	Constr.Code P/S	0.7	BPR6HS	7022		BPR6HIX	4085
<b>A 50</b>		50	1	-	Constr.Code P	0.7	BR7HS	4737		BR7HIX	7067
<b>A 50 M</b>		50	1	-	Constr.Code D	0.7	B8HS	5510		BR8HIX	7001
<b>A 50 PB</b>		50	1	-	Constr.Code D	0.7	B8HS	5510		BR8HIX	7001
<b>A 50 PM</b>		50	1	-	Constr.Code D	0.7	B8HS	5510		BR8HIX	7001
<b>AH 50 Adresse</b>	CA1GA	50	1	1992-1993	Constr.Code N	0.6	BPR6HS	7022		BPR6HIX	4085
<b>AH 50 Adresse</b>	CA1GA	50	1	1994-1995	Constr.Code R 4hp	0.7	BPR6HS	7022		BPR6HIX	4085
<b>AH 50 GP</b>	CA1JA	50	1	1995-		0.6	BPR6HS	7022		BPR6HIX	4085
<b>AJ 50</b>		50	1	1995-		0.6	BPR7HS	6422		BPR7HIX	5944
<b>AJ 50 ZZ</b>		50	1	1995-		0.5	BPR7HS	6422		BPR7HIX	5944
<b>AP 50</b>	CA1JA	50	1	1994-	Constr.Code W 4hp	0.7	BPR6HS	7022		BPR6HIX	4085
<b>AP 50</b>	CA1JA	50	1	1994-1994	Constr.Code R 4hp	0.7	BPR6HS	7022		BPR6HIX	4085
<b>AP 50</b>	CA1JA	50	1	1995-1995	4hp	0.7	BPR6HS	7022		BPR6HIX	4085
<b>AP 50</b>	CA1JA	50	1	1996-1996	Constr.Code T 4hp	0.7	BPR6HS	7022		BPR6HIX	4085
<b>AP 50</b>	CA1JA	50	1	1997-1997	Constr.Code V 4hp	0.7	BPR6HS	7022		BPR6HIX	4085
<b>AY 50 Katana AC</b>		50	1	1997-2004	4hp Air	0.6	BPR6HS	7022		BPR6HIX	4085
<b>AY 50 Katana DiTech</b>		50	1	2005-2006		0.6	CPR8E	7411			
<b>AY 50 Katana W</b>		50	1	1997-2004	4hp Air	0.6	BPR6HS	7022		BPR6HIX	4085
<b>AY 50 Katana WR</b>		50	1	1997-2004	4hp Air	0.6	BPR6HS	7022		BPR6HIX	4085
<b>AY 50 Katana WRX</b>		50	1	1997-2004	4hp Air	0.6	BPR6HS	7022		BPR6HIX	4085
<b>CL 50 DO</b>		50	1	-		0.7	BP4HS	3611			
<b>CS 50</b>		50	1	-		0.7	BPR4HS	7823			
<b>CX 50</b>		50	1	-		0.7	BPR6HS	7022		BPR6HIX	4085
<b>CY 50</b>		50	1	-		0.7	BPR6HS	7022		BPR6HIX	4085
<b>DM 50</b>		50	1	-		0.7	BP6HS	4511		BPR6HIX	4085
<b>DV 50</b>		50	1	-		0.7	BP6ES	7811		BPR6EIX	6637
<b>FA 50</b>		50	1	-		0.7	BPR4HS	7823			
<b>FR 50</b>		50	1	-		0.7	BPR4HS	7823			
<b>FS 50</b>		50	1	-		0.7	BP4HA	3511			
<b>FS 50 Snip</b>		50	1	-		0.7	BPR4HS	7823			
<b>FZ 50</b>		50	1	-		0.7	BPR4HS	7823			
<b>GT 50</b>		50	1	-		0.7	BP6HS	4511		BPR6HIX	4085

\*Bitte Elektrodenabstand nach Angaben des Herstellers justieren

\*Please adjust the ground electrode gap

\*Veuillez vérifier l'écartement

\* Por favor, ajustar la distancia entre los electrodos

\*Regolare il gap

\* Iridium IX Spark Plug is the standard recommendation





Stock No.

Quick No.

Upgrade ↑

Stock No. ↑

**SUZUKI**

<b>GT 50 PE-B</b>		50	1	-		0.7	BPR6HS	7022		BPR6HIX	4085
<b>JR 50</b>	JA13A	50	1	-1999		0.7	BP4HS	3611			
<b>JR 50</b>	JA143	50	1	2000-2006		0.7	BPR4HS	7823			
<b>K 50</b>		50	1	-		0.7	BP7HS	5111		BPR7HIX	5944
<b>Maxi 50</b>		50	1	-		0.6	B7HS	5110		BR7HIX	7067
<b>OR 50</b>		50	1	-		0.7	BP6HS	4511		BPR6HIX	4085
<b>RG 50</b>		50	1	-	Constr.Code W	0.8	BPR8ES	5170	Q213	BPR8EIX	6684
<b>RG 50 KE</b>		50	1	-		0.7	BP8ES	2912		BPR8EIX	6684
<b>RMX 50</b>		50	1	1996-	Constr.Code T / V / W / X / Y / K1	0.7	BPR8ES	5170	Q213	BPR8EIX	6684
<b>RV 50</b>		50	1	-	Constr.Code L / PN	0.7	BPR6HS	7022		BPR6HIX	4085
<b>RV 50</b>		50	1	-		0.7	BP6HS	4511		BPR6HIX	4085
<b>SMX 50</b>		50	1	1999-		0.7	BPR8ES	5170	Q213	BPR8EIX	6684
<b>Suzy</b>		50	1	1995-		0.7	BPR6HS	7022		BPR6HIX	4085
<b>TR 50</b>		50	1	-		0.7	BP-4H	3311			
<b>TR 50 S Magic</b>		50	1	1998-		0.7	BPR6HS	7022		BPR6HIX	4085
<b>TR 50 S Streetmagic</b>	AH3113	50	1	1998-1999	3hp	0.7	BPR6HS	7022		BPR6HIX	4085
<b>TS 50</b>		50	1	-	14mm Thread Size / 19mm Thread Reach	0.8	BP6ES	7811		BPR6EIX	6637
<b>TS 50</b>		50	1	-	14mm Thread Size / 12,7mm Thread Reach	0.7	BP6HS	4511		BPR6HIX	4085
<b>TS 50 PC</b>		50	1	-	Constr.Code / XAM R	0.7	BPR6HS	7022		BPR6HIX	4085
<b>UF 50 Estilete</b>	BA1111	50	1	2000-2001	3hp	0.6	BPR7HS	6422		BPR7HIX	5944
<b>UX 50 Zillion</b>	AT3112	50	1	1999-2000	4hp	0.6	BPR7HS	6422		BPR7HIX	5944
<b>ZR 50</b>		50	1	-		0.8	BP6ES	7811		BPR6EIX	6637
<b>RM 65</b>		65	1	2003-2003	Constr.Code K3	0.6	B10EG	3630			
<b>RM 65</b>	KXEBC	65	1	2004-2005	Constr.Code K4 17hp	0.7	BR10EG	3830			
<b>DR-Z 70</b>	JB41A	70	1	2008-	5hp	0.7	CR7HSA	4549		CR7HIX	7544
<b>CP 80 CHF</b>		80	1	-		0.7	BPR6HS	7022		BPR6HIX	4085
<b>CS 80</b>		80	1	-		0.7	BPR6HS	7022		BPR6HIX	4085
<b>DS 80</b>		80	1	1993-1994		0.7	B7ES	1111		BR7EIX	6664
<b>DS 80</b>		80	1	1995-		0.6	BPR7ES	2023		BPR7EIX	4055
<b>FR 80</b>		80	1	-		0.7	BPR6HS	7022		BPR6HIX	4085
<b>JR 80</b>		80	1	2001-		0.7	BPR7ES	2023		BPR7EIX	4055
<b>JR 80</b>		80	1	2002-	Constr.Code K2	0.8	BR7ES	5122		BR7EIX	6664
<b>RG 80 EX</b>		80	1	-		0.8	B8ES	2411	Q201	BR8EIX	5044
<b>RG 80 WF</b>		80	1	-	Italy	0.8	BPR7ES	2023		BPR7EIX	4055
<b>RM 80</b>	RD15C	80	1	2000-2001	Constr.Code Y 27hp	0.7	BR10ES	4832		BR10EIX	6801
<b>RM 80 T</b>		80	1	-		0.6	B10EG	3630			
<b>RM 80 X</b>		80	1	-	Constr.Code M / N / P / R / S / T / V	0.7	B10EG	3630			
<b>RM 80 X</b>	RC12A	80	1	1992-1996	Constr.Code N / P / R / S 27hp	0.7	BR10ES	4832		BR10EIX	6801
<b>RM 80 X</b>	RC12A	80	1	1996-1996	Constr.Code T	0.7	B8ES	2411	Q201	BR8EIX	5044
<b>RMX 80</b>		80	1	1996-	Constr.Code T / V / W / X / Y / K1	0.7	BR10ES	4832		BR10EIX	6801
<b>RT 80 Z</b>		80	1	-		0.7	B7ES	1111		BR7EIX	6664
<b>TS 80 X</b>	SA11A	80	1	-		0.7	BPR7ES	2023		BPR7EIX	4055
<b>TS 80 XE</b>		80	1	-	Constr.Code H	0.8	BP8ES	2912		BPR8EIX	6684
<b>RM 85</b>	RD16C	85	1	2002-2003	26hp	0.8	BR10ES	4832		BR10EIX	6801
<b>RM 85</b>	RD16C	85	1	2004-2013	29hp	0.8	BR10ES	4832		BR10EIX	6801
<b>RM 85 L</b>	RD17C	85	1	2003-2003	26hp	0.8	BR10ES	4832		BR10EIX	6801
<b>RM 85 L</b>	RD17C	85	1	2004-	29hp	0.8	BR10ES	4832		BR10EIX	6801
<b>FM 90</b>		90	1	-		0.7	BPR6HS	7022		BPR6HIX	4085
<b>A 100</b>		100	1	1995-		0.6	BP6HS	4511		BPR6HIX	4085

\*Bitte Elektrodenabstand nach Angaben des Herstellers justieren

\*Please adjust the ground electrode gap

\*Veuillez vérifier l'écartement

\* Por favor, ajustar la distancia entre los electrodos

\*Regolare il gap

\*\* Iridium IX Spark Plug is the standard recommendation





Stock No.

Quick No.

Upgrade ↑

Stock No. ↑

**SUZUKI**

<b>AH 100 Adresse</b>	CE12A	100	1	1995-1996	8hp	0.7	BPR7HS	6422		BPR7HIX	5944
<b>FB 100</b>		100	1	1995-		0.6	D8EA	2120	Q216	DR8EIX	6681
<b>FB 100 D</b>		100	1	1995-		0.6	D8EA	2120	Q216	DR8EIX	6681
<b>GP 100</b>		100	1	-	Italy	0.7	B8HS	5510		BR8HIX	7001
<b>RM 100</b>		100	1	-		0.6	BR9EIX**	3981			
<b>RM 100</b>		100	1	2004-		0.7	R6252K-105	2741			
<b>RM 100 X</b>		100	1	-		0.6	BR9EIX**	3981			
<b>UG 110 Hokuto</b>		110	1	1999-2002		0.6	BPR7HS	6422		BPR7HIX	5944
<b>UK 110 NE Address</b>		110	1	2015-	9hp	0.9	CPR7EA-9	3901		CPR7EAIX-9	9198
<b>DR-Z 110</b>	LX110A	111	1	2003-2005	6hp	0.7	CR6HSA	2983		CR6HIX	7274
<b>Address 125</b>		125	1	2007-		0.7	CR8E	4854	Q226	CR8EIX	4218
<b>AN 125</b>	CF42A	125	1	1995-1996	10hp	0.7	CR8E	4854	Q226	CR8EIX	4218
<b>AN 125</b>	CF42A	125	1	1995-1995	Constr.Code S	0.7	CR8E	4854	Q226	CR8EIX	4218
<b>AN 125</b>	CF42A	125	1	1996-1996	Constr.Code T/ V/ W/ X/ Y/	0.7	CR7E	4578	Q225	CR7EIX	7385
<b>AN 125</b>	CF42A	125	1	1997-1999	Constr.Code U 10hp	0.7	CR7E	4578	Q225	CR7EIX	7385
<b>AN 125</b>	CF42A	125	1	1997-1999	10hp	0.7	CR7E	4578	Q225	CR7EIX	7385
<b>AN 125</b>	CF42A	125	1	1997-1997	Constr.Code V	0.7	CR9E	6263	Q227	CR9EIX	3521
<b>AN 125</b>	CF42A	125	1	1998-1998	Constr.Code W	0.7	CR9E	6263	Q227	CR9EIX	3521
<b>AN 125</b>	CF42A	125	1	1999-1999	Constr.Code X	0.7	CR9E	6263	Q227	CR9EIX	3521
<b>CS 125</b>		125	1	-		0.7	DR8ES-L	2923	Q218	DR9EIX	4772
<b>DF 125 E</b>		125	1	1999-		0.7	DR8EA	7162		DR8EIX	6681
<b>DF 125 EX</b>		125	1	1999-		0.7	DR8EA	7162		DR8EIX	6681
<b>DR 125 SE</b>	SF44A	125	1	1995-2000		0.6	DR8EA	7162		DR8EIX	6681
<b>DR 125 SEU</b>	SF44A	125	1	1995-2000		0.6	DR8EA	7162		DR8EIX	6681
<b>DR 125 SJ</b>	SF43B	125	1	-		0.7	DR8ES-L	2923	Q218	DR9EIX	4772
<b>DR 125 SM</b>	CS1111	125	1	2008-2013	11hp	0.7	CR8E	4854	Q226	CR8EIX	4218
<b>DR-Z 125 L</b>	DF43B	125	1	2007-		0.7	DR8EA	7162		DR8EIX	6681
<b>EN 125 2A</b>		125	1	2003-2009		0.7	CR8E	4854	Q226	CR8EIX	4218
<b>FL 125 DW</b>		125	1	2007-2009		0.7	CR6HSA	2983		CR6HIX	7274
<b>GP 125</b>		125	1	-		0.7	B8HS	5510		BR8HIX	7001
<b>GS 125 S</b>		125	1	-1998		0.9	DR8ES-L	2923	Q218	DR9EIX	4772
<b>GS 125 S</b>		125	1	1999-		0.7	DR8EA	7162		DR8EIX	6681
<b>GSX-R 125</b>	DL33A	125	1	2017-	15hp	0.9	MR8E-9	90527			
<b>GSX-S 125</b>	DL32A	125	1	2017-	15hp	0.9	MR8E-9	90527			
<b>GZ 125 Marauder</b>	AP	125	1	1998-2003	10hp	0.7	DR8EA	7162		DR8EIX	6681
<b>GZ 125 Marauder</b>	AP	125	1	2004-2007	12hp	0.7	CR8E	4854	Q226	CR8EIX	4218
<b>GZ 125 Marauder</b>	AP1711	125	1	2008-2013	12hp	0.8	CR7E	4578	Q225	CR7EIX	7385
<b>GZ 125 U Marauder</b>	AP2111	125	1	1998-2004	8hp	0.7	DR8EA	7162		DR8EIX	6681
<b>RC 125</b>		125	1	-		0.6	B7HS	5110		BR7HIX	7067
<b>RG 125 F Gamma</b>	NF13	125	1	1992-1996	33hp	0.7	BR9ECM	3252		BR9ECMIX	2707
<b>RG 125 FU Gamma</b>	NF13	125	1	1992-1996	33hp	0.7	BR9ECM	3252		BR9ECMIX	2707
<b>RG 125 P</b>		125	1	-		0.7	BR9ECM	3252		BR9ECMIX	2707
<b>RG 125 R</b>		125	1	-		0.7	BR9ECM	3252		BR9ECMIX	2707
<b>RG 125 U Wolf</b>		125	1	-		0.7	BR9ECM	3252		BR9ECMIX	2707
<b>RM 125</b>	RF14	125	1	1993-1995		0.6	BR9EIX**	3981			
<b>RM 125</b>	RF15 / RF16	125	1	1996-2012		0.6	R6918B-8	4492			
<b>RV 125 Van Van</b>	BT1111	125	1	2003-2007	12hp	0.8	CR8E	4854	Q226	CR8EIX	4218
<b>RV 125 Van Van</b>	BT1111	125	1	2007-	12hp	0.7	CR8E	4854	Q226	CR8EIX	4218
<b>Scooter 125</b>	FL125SDW	125	1	2008-		0.7	CR6HSA	2983		CR6HIX	7274
<b>TU 125 XT</b>	AZ	125	1	1999-		0.7	DR8EA	7162		DR8EIX	6681
<b>UC 125 U Epicuro</b>	AX	125	1	1999-2003		0.7	CR8E	4854	Q226	CR8EIX	4218
<b>UE 125 CT</b>	BH1111	125	1	2001-2003	Netherlands / Italy	0.7	CR7E	4578	Q225	CR7EIX	7385

\*Bitte Elektrodenabstand nach Angaben des Herstellers justieren

\*Please adjust the ground electrode gap

\*Veuillez vérifier l'écartement

\* Por favor, ajustar la distancia entre los electrodos

\*Regolare il gap

\* Iridium IX Spark Plug is the standard recommendation





Stock No.

Quick No.

Upgrade ↑

Stock No. ↑

**SUZUKI**

<b>UH 125 Burgman</b>		125	1	2002-	Constr.Code K2>L4	0.7	CR8E	4854	Q226	CR8EIX	4218
<b>UX 125 Sixteen</b>		125	1	2007-		0.7	CR8E	4854	Q226	CR8EIX	4218
<b>UX 125 Sixteen</b>	CN1111	125	1	2008-2014	13hp	0.7	CR8E	4854	Q226	CR8EIX	4218
<b>VL 125 LC Intruder</b>	A4	125	1	2000-2008		0.6	CR8E	4854	Q226	CR8EIX	4218
<b>VL 125 LC U Intruder</b>	A4	125	1	2000-2008		0.6	CR8E	4854	Q226	CR8EIX	4218
<b>AN 150 T</b>		150	1	1996-		0.7	CR7E	4578	Q225	CR7EIX	7385
<b>UH 150 Burgman</b>	BR1111	150	1	2004-2006	15hp	0.7	CR8E	4854	Q226	CR8EIX	4218
<b>UX 150 Sixteen</b>	CP1111	150	1	2008-2010	15hp	0.7	CR8E	4854	Q226	CR8EIX	4218
<b>TS 185 ER</b>		185	1	1993-		0.8	BPR7ES	2023		BPR7EIX	4055
<b>AN 200 Burgman</b>		200	1	-		0.7	CR8EK	3478			
<b>DR 200 S</b>		200	1	-		0.6	DR8ES-L	2923	Q218	DR9EIX	4772
<b>DR 200 SZ</b>		200	1	1995-		0.6	DR8EA	7162		DR8EIX	6681
<b>RV 200 Van Van</b>	BT2211	200	1	2016-	14hp	0.7	DR8EA	7162		DR8EIX	6681
<b>TS 200</b>		200	1	-		0.8	BR9ES	5722		BR9EIX	3981
<b>UH 200 Burgman</b>	CD111	200	1	2007-2010	Constr.Code K7 18hp	0.7	CR8EK	3478			
<b>AN 250 Burgman</b>	AN1211	250	1	1998-1999	23hp	0.7	CR8EK	3478			
<b>AN 250 Burgman</b>		250	1	2004-		0.7	CR7EK	7546			
<b>DL 250 V-Strom</b>	DS12A	250	2	2017-	25hp	0.9	CPR7EA-9	3901		CPR7EAIX-9	9198
<b>DR 250 SZ</b>		250	1	1995-		0.8	DPR9EA-9	5329	Q222	DPR9EIX-9	5545
<b>DR 250 SZ-H</b>		250	1	-		0.7	DR8ES-L	2923	Q218	DR9EIX	4772
<b>GN 250</b>	NJ42A	250	1	1998-1999	17hp	0.7	DR8EA	7162		DR8EIX	6681
<b>GN 250 EZ-J</b>		250	1	-		0.7	DR8ES-L	2923	Q218	DR9EIX	4772
<b>GT 250 A</b>		250	2	-	14mm Thread Size / 12,7mm Thread Reach	0.7	B8HS	5510		BR8HIX	7001
<b>GT 250 A</b>		250	2	-	14mm Thread Size / 19mm Thread Reach	0.7	B9ES	2611	Q202	BR9EIX	3981
<b>GT 250 AB</b>	GT250	250	2	-		0.7	B9ES	2611	Q202	BR9EIX	3981
<b>GT 250 B</b>		250	2	-	14mm Thread Size / 12,7mm Thread Reach	0.7	B8HS	5510		BR8HIX	7001
<b>GT 250 B</b>		250	2	-	14mm Thread Size / 19mm Thread Reach	0.7	B9ES	2611	Q202	BR9EIX	3981
<b>GT 250 C</b>		250	2	-	14mm Thread Size / 12,7mm Thread Reach	0.7	B8HS	5510		BR8HIX	7001
<b>GT 250 C</b>		250	2	-	14mm Thread Size / 19mm Thread Reach	0.7	B9ES	2611	Q202	BR9EIX	3981
<b>GW 250 Inazuma</b>	DC11..	250	2	2013-	24hp	0.7	CR7E	4578	Q225	CR7EIX	7385
<b>GZ 250 Marauder</b>	AR12..	250	1	1999-2008	20hp	0.7	DR8EA	7162		DR8EIX	6681
<b>RG 250 C</b>		250	2	-	Constr.Code C / E/ H	0.7	BR9ES	5722		BR9EIX	3981
<b>RG 250 FC</b>		250	2	-	Constr.Code C / E/ H	0.7	BR9ES	5722		BR9EIX	3981
<b>RG 250 G-C</b>		250	2	-	Constr.Code C / E/ H	0.7	BR9ES	5722		BR9EIX	3981
<b>RG 250 W</b>		250	2	-	Constr.Code C / E/ H	0.7	BR9ES	5722		BR9EIX	3981
<b>RM 250</b>	RJ1	250	1	1993-2000		0.6	BR8EIX**	5044			
<b>RM 250</b>	RJ1	250	1	2001-2012		0.6	BR8EG	3130			
<b>RM-Z 250</b>	KX250NPA	250	1	2004-2006		0.6	CR8EB	7784			
<b>RM-Z 250</b>	RJ42A	250	1	2007-		1.0	CR8EIA-10	4708			
<b>RM-Z 250</b>	RJ42A	250	1	2014-	Constr.Code L4>>>	1.0	CR8EIB-10	4948			
<b>TU 250 X Volty</b>	AB1111	250	1	1997-1997	20hp	0.7	DR8ES-L	2923	Q218	DR9EIX	4772
<b>TU 250 X Volty</b>	AB1111	250	1	1998-2001	20hp	0.7	DR8EA	7162		DR8EIX	6681
<b>VL 250 Intruder</b>	A51	250	2	2000-2007		0.7	CR8E	4854	Q226	CR8EIX	4218
<b>350 Goose</b>		350	1	1993-		0.7	CR9EK	5600	Q230		
<b>DR 350</b>	DK41A	350	1	1994-1995	33hp	0.6	CR9EK	5600	Q230		
<b>DR 350 S</b>	SK42B	350	1	1994-1994	30hp	0.6	CR9EK	5600	Q230		
<b>DR 350 SE</b>	SK42	350	1	1994-1999	Italy	0.6	CR9EK	5600	Q230		

\*Bitte Elektrodenabstand nach Angaben des Herstellers justieren

\*Please adjust the ground electrode gap

\*Veuillez vérifier l'écartement

\* Por favor, ajustar la distancia entre los electrodos

\*Regolare il gap

\*\* Iridium IX Spark Plug is the standard recommendation





Stock No.

Quick No.

Upgrade ↑

Stock No. ↑

**SUZUKI**

<b>DR 350 SH</b>	SK42B	350	1	1992-1993	27hp	0.9	DPR9EA-9	5329	Q222	DPR9EIX-9	5545
<b>DR 350 SH</b>	SK42B	350	1	1994-1994	30hp	0.6	CR9EK	5600	Q230		
<b>AN 400 A Burgman ABS</b>	CG113	400	1	2009-2017		0.7	CR7E	4578	Q225	CR7EIX	7385
<b>AN 400 Burgman</b>	AU	400	1	1999-2002	33hp	0.7	CR7E	4578	Q225	CR7EIX	7385
<b>AN 400 Burgman</b>	BW	400	1	2003-2006	33hp	0.7	CR7E	4578	Q225	CR7EIX	7385
<b>AN 400 Burgman</b>	CG111	400	1	2007-2016	34hp	0.7	CR7E	4578	Q225	CR7EIX	7385
<b>AN 400 Burgman</b>	DU11A	400	1	2018-	31hp	0.9	CR7EIA-9	91175			
<b>AN 400 S Burgman</b>	BW112	400	1	2005-2006	33hp	0.7	CR7E	4578	Q225	CR7EIX	7385
<b>AN 400 ZA Burgman ABS</b>	CG114	400	1	2009-2016		0.7	CR7E	4578	Q225	CR7EIX	7385
<b>AN 400 Z Burgman</b>	CG112	400	1	2007-2008	34hp	0.7	CR7E	4578	Q225	CR7EIX	7385
<b>DR-Z 400</b>	BE111	400	1	2000-2004	49hp	0.6	CR8E	4854	Q226	CR8EIX	4218
<b>DR-Z 400 E</b>	BB111/BF111	400	1	2005-2007		0.6	CR8E	4854	Q226	CR8EIX	4218
<b>DR-Z 400 S</b>	BC111	400	1	2000-2009	40hp	0.6	CR8E	4854	Q226	CR8EIX	4218
<b>DR-Z 400 SM</b>	B8111/B8112	400	1	2005-2009	40hp	0.6	CR8E	4854	Q226	CR8EIX	4218
<b>DR-Z 400 SMU</b>	B8111	400	1	2005-2007	34hp	0.6	CR8E	4854	Q226	CR8EIX	4218
<b>GSF 400 BANDIT</b>	GK75	400	4	1993-1995		0.7	CR9EK	5600	Q230		
<b>GSX 400 EF</b>	GK53C	400	2	-		0.7	DR8ES-L	2923	Q218	DR9EIX	4772
<b>GSX 400 FW</b>		400	2	-		0.7	CR8HS	7423		CR8HIX	7669
<b>GSX 400 SE</b>	GK53C	400	2	-		0.7	DR8ES-L	2923	Q218	DR9EIX	4772
<b>GSX-R400</b>		400	2	1993-		0.7	CR9EK	5600	Q230		
<b>GSX-R400 H</b>		400	2	-		0.6	C8HSA	6821		CR8HIX	7669
<b>VS 400</b>		400	2	1995-		0.8	DPR8EA-9	4929	Q221	DPR8EIX-9	2202
<b>RMX 450 Z</b>	PL41A	450	1	2010-	50hp	1.0	CR8EIB-10	4948			
<b>RM-Z 450</b>	RL41C	450	1	2005-2006	57hp	1.0	CR8EIB-10	4948			
<b>RM-Z 450</b>	RL42A	450	1	2007-	57hp	1.0	DIMR8C10	92743			
<b>RM 495</b>		495	1	-		0.5	BR8EIX**	5044			
<b>GS 500</b>	BK3111/BK4111	500	2	2001-2006		0.9	DPR8EA-9	4929	Q221	DPR8EIX-9	2202
<b>GS 500 F</b>	BK2321	500	2	2001-2005		0.9	DPR8EA-9	4929	Q221	DPR8EIX-9	2202
<b>GS 500 FH</b>	BK	500	2	2007-2008		0.9	DPR8EA-9	4929	Q221	DPR8EIX-9	2202
<b>GS 500 FM</b>	BK	500	2	2007-2008		0.9	DPR8EA-9	4929	Q221	DPR8EIX-9	2202
<b>GS 500 FU</b>	BK4221	500	2	2004-2006		0.9	DPR8EA-9	4929	Q221	DPR8EIX-9	2202
<b>GS 500 H</b>	BK	500	2	2007-2008		0.9	DPR8EA-9	4929	Q221	DPR8EIX-9	2202
<b>GS 500 HU</b>	BK	500	2	2007-2008		0.9	DPR8EA-9	4929	Q221	DPR8EIX-9	2202
<b>GS 500 U</b>	BK3111/BK4111	500	2	2001-2006		0.9	DPR8EA-9	4929	Q221	DPR8EIX-9	2202
<b>DR 600</b>		600	1	-		0.9	DPR9EA-9	5329	Q222	DPR9EIX-9	5545
<b>GSF 600 Bandit</b>	A81121	600	4	2000-2004	78hp	0.7	CR9EK	5600	Q230		
<b>GSF 600 Bandit</b>	A81111	600	4	2000-2004	78hp	0.7	CR9EK	5600	Q230		
<b>GSF 600 S Bandit</b>	GN77B	600	4	1995-1999	78hp	0.7	CR9EK	5600	Q230		
<b>GSF 600 SU Bandit</b>	GN77B	600	4	1996-1999	34hp	0.6	CR9EK	5600	Q230		
<b>GSF 600 SU Bandit</b>	A82111	600	4	2000-2004	34hp	0.6	CR9EK	5600	Q230		
<b>GSF 600 U Bandit</b>	GN77B	600	4	1996-1999	34hp	0.6	CR9EK	5600	Q230		
<b>GSF 600 U Bandit</b>	A82121	600	4	2000-2004	34hp	0.6	CR9EK	5600	Q230		
<b>GSF 600 Y Bandit</b>	WVA8	600	4	2000-		0.6	CR9EK	5600	Q230		
<b>GSR 600</b>	B91111	600	4	2006-2010	98hp	0.7	CR9E	6263	Q227	CR9EIX	3521
<b>GSR 600 A</b>	B91121	600	4	2007-2011	98hp	0.7	CR9E	6263	Q227	CR9EIX	3521
<b>GSR 600 U</b>	B92111	600	4	2006-2010	34hp	0.7	CR9E	6263	Q227	CR9EIX	3521
<b>GSR 600 UA</b>	B92121	600	4	2007-2011	34hp	0.7	CR9E	6263	Q227	CR9EIX	3521
<b>GSX 600 F</b>	GN72B / AJ1213	600	4	1996-2001		0.7	CR9EK	5600	Q230		
<b>GSX 600 FU</b>	GN72B / AJ1213	600	4	1996-2001		0.7	CR9EK	5600	Q230		
<b>GSX 600 FU2</b>	GN72B / AJ1213	600	4	1996-2001		0.7	CR9EK	5600	Q230		

\* Bitte Elektrodenabstand nach Angaben des Herstellers justieren

\* Please adjust the ground electrode gap

\* Veuillez vérifier l'écartement

\* Por favor, ajustar la distancia entre los electrodos

\* Regolare il gap

\* Iridium IX Spark Plug is the standard recommendation







Stock No.

Quick No.

Upgrade ↑

Stock No. ↑

**SUZUKI**

<b>GSX-R 600</b>	BG2112 / B22111 / CE2111	600	4	1996-2007		0.7	CR9E	6263	Q227	CR9EIX	3521
<b>GSX-R 600</b>	CV2111 / CV3111	600	4	2008-		0.9	CR9EIA-9	6289			
<b>GSX-R 600 U1</b>	BG2112 / B22111 / CE2111	600	4	1996-2007		0.7	CR9E	6263	Q227	CR9EIX	3521
<b>GSX-R 600 U1</b>	CV2111 / CV3111	600	4	2008-		0.9	CR9EIA-9	6289			
<b>GSX-R 600 U2</b>	BG2112 / B22111 / CE2111	600	4	1996-2007		0.7	CR9E	6263	Q227	CR9EIX	3521
<b>GSX-R 600 U2</b>	CV2111 / CV3111	600	4	2008-		0.9	CR9EIA-9	6289			
<b>GSX-R 600 U3</b>	BG2112 / B22111 / CE2111	600	4	1996-2007		0.7	CR9E	6263	Q227	CR9EIX	3521
<b>GSX-R 600 U3</b>	CV2111 / CV3111	600	4	2008-		0.9	CR9EIA-9	6289			
<b>GSX-R 600 UE</b>	CV2111 / CV3111	600	4	2008-		0.9	CR9EIA-9	6289			
<b>GSX-R 600 UF</b>	CV2111 / CV3111	600	4	2008-		0.9	CR9EIA-9	6289			
<b>RF 600 R</b>	GN76B	600	4	1993-1996		0.7	CR9E	6263	Q227	CR9EIX	3521
<b>RF 600 RU</b>	GN76B	600	4	1993-1996		0.7	CR9E	6263	Q227	CR9EIX	3521
<b>VS 600 GL Intruder</b>	VN51B	600	2	1995-1997		0.9	DPR8EA-9	4929	Q221	DPR8EIX-9	2202
<b>VS 600 GLU Intruder</b>	VN51B	600	2	1995-1997		0.9	DPR8EA-9	4929	Q221	DPR8EIX-9	2202
<b>AN 650 A Burgman Executive</b>	BU1321	650	2	2004-2012	56hp	0.7	CR8E	4854	Q226	CR8EIX	4218
<b>AN 650 Burgman</b>	BU1111	650	2	2002-2011	56hp	0.7	CR8E	4854	Q226	CR8EIX	4218
<b>AN 650 Burgman</b>	BU1111	650	2	2013-2016	56hp	0.7	CR8E	4854	Q226	CR8EIX	4218
<b>AN 650 L Burgman Executive</b>	BU1114	650	2	2003-2003	56hp	0.7	CR8E	4854	Q226	CR8EIX	4218
<b>AN 650 Z Burgman Executive</b>	BU1121	650	2	2013-2017	56hp	0.7	CR8E	4854	Q226	CR8EIX	4218
<b>AN 650 Z Burgman Executive</b>	BU1427	650	2	2017-	56hp	0.7	CR8E	4854	Q226	CR8EIX	4218
<b>DL 650 V-Strom</b>	B11111	650	2	2004-2011	Twin Spark 67hp	0.8	CR8E	4854	Q226	CR8EIX	4218
<b>DL 650 V-Strom A</b>	B11121	650	2	2007-2011	Twin Spark 67hp	0.8	CR8E	4854	Q226	CR8EIX	4218
<b>DL 650 V-Strom A</b>	C72111	650	2	2012-2016	Twin Spark	0.9	CR8EIA-9	4286			
<b>DL 650 V-Strom A</b>	C71111	650	2	2012-2016	Twin Spark	0.9	CR8EIA-9	4286			
<b>DL 650 V-Strom A</b>	C733AZ	650	2	2017-	Twin Spark 71hp	0.9	MR8E-9	90527			
<b>DL 650 V-Strom A U3</b>	B12111	650	2	2004-2010	Twin Spark, Italy	0.8	CR8E	4854	Q226	CR8EIX	4218
<b>DL 650 V-Strom A U3</b>	B12121	650	2	2007-2011	Twin Spark 67hp	0.8	CR8E	4854	Q226	CR8EIX	4218
<b>DL 650 V-Strom AUE</b>	B12111	650	2	2004-2010	Twin Spark, Italy	0.8	CR8E	4854	Q226	CR8EIX	4218
<b>DL 650 V-Strom AUE</b>	B12121	650	2	2007-2011	Twin Spark 67hp	0.8	CR8E	4854	Q226	CR8EIX	4218
<b>DL 650 V-Strom AUE</b>	C743FZ	650	2	2017-	Twin Spark 48hp	0.9	MR8E-9	90527			
<b>DL 650 V-Strom XT</b>	C733AZ	650	2	2017-	Twin Spark 71hp	0.9	MR8E-9	90527			
<b>DL 650 V-Strom XT A</b>		650	2	2015-2016	Twin Spark	0.9	CR8EIA-9	4286			
<b>DL 650 V-Strom XT AUE</b>		650	2	2015-2016	Twin Spark	0.9	CR8EIA-9	4286			
<b>DL 650 V-Strom XT AUE</b>	C743FZ	650	2	2017-	Twin Spark 48hp	0.9	MR8E-9	90527			
<b>DR 650 SE</b>		650	1	1996-2000		0.8	CR10E	6264		CR10EIX	6482
<b>GSF 650 A Bandit</b>	B51141	650	4	2005-2006	78hp	0.6	CR8EK	3478			
<b>GSF 650 A Bandit</b>	CJ1241	650	4	2007-2013	86hp	0.7	CR9E	6263	Q227	CR9EIX	3521
<b>GSF 650 Bandit</b>	B51121	650	4	2005-2006	78hp	0.6	CR8EK	3478			
<b>GSF 650 Bandit</b>	CJ1221	650	4	2007-2013	86hp	0.7	CR9E	6263	Q227	CR9EIX	3521
<b>GSF 650 Bandit N</b>		650	4	2007-2007		0.9	CR9E	6263	Q227	CR9EIX	3521
<b>GSF 650 Bandit S</b>		650	4	2007-2007		0.9	CR9E	6263	Q227	CR9EIX	3521
<b>GSF 650 SA Bandit</b>	B51131	650	4	2005-2006	78hp	0.6	CR8EK	3478			
<b>GSF 650 SA Bandit</b>	CJ1131	650	4	2007-2014	86hp	0.8	CR8E	4854	Q226	CR8EIX	4218

\*Bitte Elektrodenabstand nach Angaben des Herstellers justieren

\*Please adjust the ground electrode gap

\*Veuillez vérifier l'écartement

\* Por favor, ajustar la distancia entre los electrodos

\*Regolare il gap

\*\* Iridium IX Spark Plug is the standard recommendation





Stock No.

Quick No.

Upgrade ↑

Stock No. ↑

**SUZUKI**

<b>GSF 650 S Bandit</b>	B51111	650	4	2005-2006	78hp	0.6	CR8EK	3478			
<b>GSF 650 S Bandit</b>	CJ1111	650	4	2007-2014	86hp	0.8	CR8E	4854	Q226	CR8EIX	4218
<b>GSF 650 SUA Bandit</b>	B52131	650	4	2005-2006	34hp	0.6	CR8EK	3478			
<b>GSF 650 SUA Bandit</b>	CJ2131	650	4	2007-2014	34hp	0.8	CR8E	4854	Q226	CR8EIX	4218
<b>GSF 650 SU Bandit</b>	B5211	650	4	2005-2006	34hp	0.6	CR8EK	3478			
<b>GSF 650 SU Bandit</b>	CJ2111	650	4	2007-2014	34hp	0.8	CR8E	4854	Q226	CR8EIX	4218
<b>GSF 650 UA Bandit</b>	B52131	650	4	2005-2006	34hp	0.6	CR8EK	3478			
<b>GSF 650 UA Bandit</b>	CJ2131	650	4	2007-2014	34hp	0.8	CR8E	4854	Q226	CR8EIX	4218
<b>GSF 650 U Bandit</b>	B5211	650	4	2005-2006	34hp	0.6	CR8EK	3478			
<b>GSF 650 U Bandit</b>	CJ2111	650	4	2007-2014	34hp	0.8	CR8E	4854	Q226	CR8EIX	4218
<b>GSX 650 A</b>	CJ13	650	4	2008-		0.7	CR8E	4854	Q226	CR8EIX	4218
<b>GSX 650 F</b>	CJ13	650	4	2008-		0.7	CR8E	4854	Q226	CR8EIX	4218
<b>GSX 650 SA</b>	CJ13	650	4	2008-		0.7	CR8E	4854	Q226	CR8EIX	4218
<b>SFV 650 Gladius</b>	CX	650	2	2009-2015	Twin Spark	0.9	CR8EIA-9	4286			
<b>SV 650</b>		650	2	1999-2016		0.7	CR8E	4854	Q226	CR8EIX	4218
<b>SV 650</b>		650	2	2007-2016		0.7	CR8E	4854	Q226	CR8EIX	4218
<b>SV 650</b>	CX123	650	2	2016-	76hp	0.9	MR8E-9	90527			
<b>SV 650</b>	CX243	650	2	2016-	48hp	0.9	MR8E-9	90527			
<b>XF 650 Freewind</b>	AC	650	1	1997-2002		0.7	CR10E	6264		CR10EIX	6482
<b>DR 750 S</b>	SR41B	750	1	-		0.9	DPR9EA-9	5329	Q222	DPR9EIX-9	5545
<b>GS 750 D</b>		750	4	-		0.7	B8ES	2411	Q201	BR8EIX	5044
<b>GS 750 E</b>		750	4	-		0.7	B8ES	2411	Q201	BR8EIX	5044
<b>GS 750 L</b>		750	4	-		0.7	B8ES	2411	Q201	BR8EIX	5044
<b>GSR 750</b>	C52111	750	4	2011-		0.9	CR9EIA-9	6289			
<b>GSX 750</b>	AE1213	750	4	1998-2003	86hp	0.7	CR9EK	5600	Q230		
<b>GSX 750 F</b>	AK1113	750	4	1998-2006		0.7	CR9EK	5600	Q230		
<b>GSX 750 T</b>		750	4	-		0.6	DR8ES-L	2923	Q218	DR9EIX	4772
<b>GSX-R 750</b>		750	4	1996-2007		0.7	CR9E	6263	Q227	CR9EIX	3521
<b>GSX-R 750</b>		750	4	2008-	150hp	0.9	CR9EIA-9	6289			
<b>GSX-R 750 U2</b>		750	4	2004-2007		0.7	CR9E	6263	Q227	CR9EIX	3521
<b>GSX-R 750 U2</b>		750	4	2008-2016		0.9	CR9EIA-9	6289			
<b>GSX-R 750 UF</b>		750	4	2008-2016		0.9	CR9EIA-9	6289			
<b>GSX-R 750 W</b>	GR7BB	750	4	1992-1993		0.7	CR9EK	5600	Q230		
<b>GSX-R 750 W</b>	GR7BB	750	4	1994-1995		0.6	CR9E	6263	Q227	CR9EIX	3521
<b>GSX-R 750 X</b>		750	4	2005-2005		0.6	CR9E	6263	Q227	CR9EIX	3521
<b>GSX-R 750 XU2</b>		750	4	2005-2005		0.6	CR9E	6263	Q227	CR9EIX	3521
<b>GSX-S 750 A</b>	C533AZ	750	4	2016-	114hp	0.9	CR9EIA-9	6289			
<b>GSX-S 750 AZ</b>	C533AZ	750	4	2016-	114hp	0.9	CR9EIA-9	6289			
<b>GT 750</b>		750	3	-		0.5	B7ES	1111		BR7EIX	6664
<b>M 800 Intruder</b>		800	2	2009-		0.6	DR7EA	7839		DR7EIX	5686
<b>M 800 Z Intruder</b>		800	2	2009-		0.6	DR7EA	7839		DR7EIX	5686
<b>VL 800 C800B Intruder</b>		800	2	2014-2016		0.6	DR7EA	7839		DR7EIX	5686
<b>VL 800 C800B UE Intruder</b>		800	2	2014-2016		0.6	DR7EA	7839		DR7EIX	5686
<b>VL 800 C800C CUE Intruder</b>	BM2114	800	2	2009-2016		0.6	DR7EA	7839		DR7EIX	5686
<b>VL 800 C800C Intruder</b>	BM1114	800	2	2007-2008	53hp	0.9	DPR7EA-9	5129	Q220	DPR7EIX-9	7803
<b>VL 800 C800C Intruder</b>	BM1114	800	2	2009-2016	53hp	0.6	DR7EA	7839		DR7EIX	5686
<b>VL 800 C800 Intruder</b>	BM1111	800	2	2006-2008		0.9	DPR7EA-9	5129	Q220	DPR7EIX-9	7803
<b>VL 800 C800 Intruder</b>	BM1111	800	2	2009-		0.6	DR7EA	7839		DR7EIX	5686
<b>VL 800 C800 UE Intruder</b>	BM2111	800	2	2006-2008		0.9	DPR7EA-9	5129	Q220	DPR7EIX-9	7803
<b>VL 800 C800 UE Intruder</b>	BM2111	800	2	2009-		0.6	DR7EA	7839		DR7EIX	5686
<b>VL 800 Volusia</b>	BM1111	800	2	2001-2005		0.9	DPR7EA-9	5129	Q220	DPR7EIX-9	7803

\* Bitte Elektrodenabstand nach Angaben des Herstellers justieren

\* Please adjust the ground electrode gap

\* Veuillez vérifier l'écartement

\* Por favor, ajustar la distancia entre los electrodos

\* Regolare il gap

\* Iridium IX Spark Plug is the standard recommendation





Stock No.

Quick No.

Upgrade ↑

Stock No. ↑

**SUZUKI**

<b>VL 800 Z Volusia</b>	BM1111	800	2	2001-2005		0.9	DPR7EA-9	5129	Q220	DPR7EIX-9	7803
<b>VS 800 Intruder</b>	VS52B	800	2	1992-2000	50hp	0.9	DPR8EA-9	4929	Q221	DPR8EIX-9	2202
<b>VZ 800 M800 Intruder</b>	B41111	800	2	2005-2008	53hp	0.9	DPR7EA-9	5129	Q220	DPR7EIX-9	7803
<b>VZ 800 M800 Intruder</b>	B41111	800	2	2009-2016	53hp	0.6	DR7EA	7839		DR7EIX	5686
<b>VZ 800 M 800 UE Intruder</b>	B42111	800	2	2009-2010	34hp	0.6	DR7EA	7839		DR7EIX	5686
<b>VZ 800 M800 U Intruder</b>	B42111	800	2	2005-2008	34hp	0.9	DPR7EA-9	5129	Q220	DPR7EIX-9	7803
<b>VZ 800 M 800 U Intruder</b>	B42111	800	2	2009-2010	34hp	0.6	DR7EA	7839		DR7EIX	5686
<b>VZ 800 M800 Z Intruder</b>		800	2	2007-2008		0.9	DPR7EA-9	5129	Q220	DPR7EIX-9	7803
<b>VZ 800 M800 Z Intruder</b>		800	2	2009-2009		0.6	DR7EA	7839		DR7EIX	5686
<b>VZ 800 M800 ZU Intruder</b>		800	2	2007-2008		0.9	DPR7EA-9	5129	Q220	DPR7EIX-9	7803
<b>VZ 800 M800 ZU Intruder</b>		800	2	2009-2009		0.6	DR7EA	7839		DR7EIX	5686
<b>VZ 800 Marauder</b>	AF1112	800	2	1997-2003		0.9	DPR8EA-9	4929	Q221	DPR8EIX-9	2202
<b>GS 850 G</b>		850	4	-		0.7	B8ES	2411	Q201	BR8EIX	5044
<b>GS 850 GT E-G</b>	GS72A	850	4	-		0.7	B9ES	2611	Q202	BR9EIX	3981
<b>RF 900 R</b>	GT73B	900	4	1994-1997		0.7	CR9E	6263	Q227	CR9EIX	3521
<b>DL 1000 V-Strom</b>	BS1111	1000	2	2002-2012	98hp	0.7	CR8EK	3478			
<b>DL 1000 V-Strom</b>		1000	2	2013-2013		0.9	CR8EIA-9	4286			
<b>DL 1000 V-Strom</b>	DD	1000	2	2014-	101hp	0.9	LMAR8BI-9	91909			
<b>DL 1000 V-Strom XT</b>	DD1245	1000	2	2017-	101hp	0.9	LMAR8BI-9	91909			
<b>GSX-R 1000</b>		1000	4	-1999		0.7	JR9B	4297	Q224	DR9EIX	4772
<b>GSX-R 1000</b>	BL111	1000	4	2001-2002		0.7	CR9E	6263	Q227	CR9EIX	3521
<b>GSX-R 1000</b>	BZ111/BZ211	1000	4	2003-2005		0.7	CR9E	6263	Q227	CR9EIX	3521
<b>GSX-R 1000</b>	B6111/B6211/ B6121	1000	4	2005-2006		0.7	CR9E	6263	Q227	CR9EIX	3521
<b>GSX-R 1000</b>	CL111/CL211	1000	4	2007-2008		0.9	CR9EIA-9	6289			
<b>GSX-R 1000</b>	CY111/CY211	1000	4	2009-2012		0.9	CR9EIA-9	6289			
<b>GSX-R 1000</b>	CY111/CY211	1000	4	2013-	185hp	0.9	CR9EIA-9	6289			
<b>GSX-R 1000 R</b>	DM11G	1000	4	2017-	202hp	0.9	CR9EIA-9	6289			
<b>GSX-S 1000</b>		1000	4	2015-	150hp	0.9	CR9EIA-9	6289			
<b>GSX-S 1000 F</b>		1000	4	2015-	150hp	0.9	CR9EIA-9	6289			
<b>SV 1000 N</b>	BX111	1000	2	2003-		0.7	CR8EK	3478			
<b>SV 1000 S</b>	BX1321	1000	2	2003-		0.7	CR8EK	3478			
<b>TL 1000 R</b>		1000	2	1998-	Italy	0.7	CR10EK	2360			
<b>TL 1000 S</b>	JS1AG	1000	2	1997-2000		0.7	CR8EK	3478			
<b>GS 1100 E</b>		1100	4	-		0.6	DR8ES-L	2923	Q218	DR9EIX	4772
<b>GS 1100 G</b>	GU71A	1100	4	-	Italy	0.8	B8ES	2411	Q201	BR8EIX	5044
<b>GS 1100 GG</b>	GU71A	1100	4	-	Italy	0.8	B8ES	2411	Q201	BR8EIX	5044
<b>GS 1100 GT</b>		1100	4	-		0.7	B8ES	2411	Q201	BR8EIX	5044
<b>GSX-R 1100 W</b>	GU75C	1100	4	1993-1997		0.7	CR9E	6263	Q227	CR9EIX	3521
<b>GS 1150 EF</b>		1150	4	-		0.7	D9EA	2420		DR9EIX	4772
<b>GS 1150 ES</b>		1150	4	-		0.7	D9EA	2420		DR9EIX	4772
<b>GSF 1200 A Bandit</b>		1200	4	2006-2006	98hp	0.7	JR9B	4297	Q224	DR9EIX	4772
<b>GSF 1200 Bandit</b>		1200	4	1996-2006	98hp	0.7	JR9B	4297	Q224	DR9EIX	4772
<b>GSF 1200 SA Bandit</b>		1200	4	1996-2000	98hp	0.7	JR9B	4297	Q224	DR9EIX	4772
<b>GSF 1200 SA Bandit</b>		1200	4	2005-2006	98hp	0.7	JR9B	4297	Q224	DR9EIX	4772
<b>GSF 1200 S Bandit</b>		1200	4	1996-2006	98hp	0.7	JR9B	4297	Q224	DR9EIX	4772
<b>GSF 1200 SZ Bandit</b>		1200	4	2005-2006	98hp	0.7	JR9B	4297	Q224	DR9EIX	4772
<b>GSX 1200 Inazuma</b>	A31111	1200	4	1999-2000	98hp	0.7	JR8B	7237		DR8EIX	6681
<b>GSF 1250 Bandit</b>		1250	4	2007-	98hp	0.6	CR7E	4578	Q225	CR7EIX	7385
<b>GSX 1250 FA</b>	CH1351	1250	4	2010-	98hp	0.6	CR7E	4578	Q225	CR7EIX	7385

\*Bitte Elektrodenabstand nach Angaben des Herstellers justieren

\*Please adjust the ground electrode gap

\*Veuillez vérifier l'écartement

\* Por favor, ajustar la distancia entre los electrodos

\*Regolare il gap

\*\* Iridium IX Spark Plug is the standard recommendation





Stock No.

Quick No.

Upgrade ↑

Stock No. ↑

**SUZUKI**

<b>GSX 1300 R Hayabusa</b>	WVA1	1300	4	1999-2007		0.7	CR9E	6263	Q227	CR9EIX	3521
<b>GSX 1300 R Hayabusa</b>		1300	4	2008-		0.9	CR9EIA-9	6289			
<b>GSX 1300 BKA B-King</b>		1340	4	2008-		0.9	CR9EIA-9	6289			
<b>GSX 1300 BKA B-King</b>	CR1121	1340	4	2008-2012	184hp	0.9	CR9EIA-9	6289			
<b>GSX 1300 BK B-King</b>	CR1111	1340	4	2008-2010	184hp	0.9	CR9EIA-9	6289			
<b>GSX 1400</b>	BN1111	1400	4	2001-2007	106hp	0.7	CR8EK	3478			
<b>C 1500 T Intruder</b>		1500	2	-		0.9	CPR6EA-9	6899		CPR6EAIX-9S	93921
<b>C 1500 T Intruder</b>		1500	2	2013-		0.9	CPR6EA-9	6899		CPR6EAIX-9S	93921
<b>M 1500 Intruder</b>		1500	2	2009-		0.7	CR6E	6965			
<b>VL 1500 Intruder C</b>	AL2111	1500	2	2005-2009	67hp	0.9	DPR7EA-9	5129	Q220	DPR7EIX-9	7803
<b>VL 1500 Intruder LC</b>	AL	1500	2	1998-2004		0.9	DPR7EA-9	5129	Q220	DPR7EIX-9	7803
<b>VZ 1500 Intruder M1500</b>	CU1111	1500	2	2009-2011		0.7	CR6E	6965			
<b>VZ 1600 Marauder 1600</b>		1600	2	2004-2005	73hp	0.9	DPR6EA-9	5531			
<b>C1800 R Intruder</b>		1800	2	2008-2013		0.7	CR8EK	3478			
<b>M1800 R Intruder</b>		1800	2	2006-		0.7	CR8EK	3478			
<b>VLR 1800 Intruder</b>		1800	2	2008-2011		0.7	CR8EK	3478			
<b>VZR 1800 Intruder</b>		1800	2	2006-		0.7	CR8EK	3478			

**SV**

<b>Dakar 2</b>		35	1	-		0.5	BPM6A	7021			
<b>Dakar 3</b>		35	1	-		0.5	BPM6A	7021			
<b>Triciclo Mini-Dakar</b>		35	1	-		0.5	BPM6A	7021			

**SWM**

<b>RS 125 R</b>		125	1	2016-	15hp	0.8	CR8E	4854	Q226	CR8EIX	4218
<b>SM 125 R</b>		125	1	2016-	15hp	0.8	CR8E	4854	Q226	CR8EIX	4218
<b>RS 300 R</b>		300	1	2016-	16hp	0.8	CR8EB	7784			
<b>Gran Milano 440</b>		440	1	2016-	30hp	0.7	DPR8Z	4730			
<b>Gran Turismo 440</b>		440	1	2016-	30hp	0.7	DPR8Z	4730			
<b>Siver Vase 440</b>		440	1	2016-	30hp	0.7	DPR8Z	4730			
<b>RS 500 R</b>		500	1	2016-	27hp	0.8	CR8EB	7784			
<b>SM 500 R</b>		500	1	2016-	27hp	0.8	CR8EB	7784			
<b>Superdual T</b>		600	1	2017-	54hp	0.8	CR8EB	7784			
<b>Superdual X</b>		600	1	2017-	54hp	0.8	CR8EB	7784			

**SYM**

<b>Allo 50</b>	AJ05W/AC05W	50	1	2010-	3hp	0.7	CR7HSA	4549		CR7HIX	7544
<b>City Hopper 50</b>		50	1	1998-2003		0.6	BR8HSA	5539			
<b>Crox 50</b>	AE05W6	50	1	2014-	3hp	0.7	CR6HSA	2983		CR6HIX	7274
<b>DD 50</b>		50	1	2002-2013		0.6	BR8HSA	5539			
<b>Fancy 50</b>		50	1	1996-		0.6	BR8HSA	5539			
<b>Fiddle 50</b>	FA05U	50	1	-		0.6	BR8HSA	5539			
<b>Fiddle II 50</b>		50	1	2008-2016		0.6	CR7HSA	4549		CR7HIX	7544
<b>Fiddle III 50</b>	XA05W	50	1	2014-	4hp	0.7	CR6HSA	2983		CR6HIX	7274
<b>Flash 50</b>	F5A	50	1	1996-	4hp	0.6	BR8HSA	5539			
<b>Free 50</b>	F5A	50	1	1996-	4hp	0.6	BR8HSA	5539			
<b>G100-P2</b>		50	1	-	6hp	0.7	BR6HSA	4461	Q210		
<b>Jet 4 50</b>		50	1	-	3hp	0.7	CR7HSA	4549		CR7HIX	7544
<b>Jet 50</b>		50	1	1996-2001		0.6	BR8HSA	5539			
<b>Jet BasiX 50</b>	BL05W	50	1	2013-2015	4hp	0.6	BR8HSA	5539			
<b>Jet Euro X 50</b>	BL05W	50	1	2003-2015		0.6	BR8HSA	5539			
<b>Jet Sport X 50 R</b>	BK05W	50	1	2007-2015	4hp	0.6	BR8HSA	5539			

\*Bitte Elektrodenabstand nach Angaben des Herstellers justieren

\*Please adjust the ground electrode gap

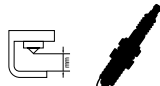
\*Veuillez vérifier l'écartement

\* Por favor, ajustar la distancia entre los electrodos

\*Regolare il gap

\* Iridium IX Spark Plug is the standard recommendation





Stock No.

Quick No.

Upgrade ↑

Stock No. ↑

**SYM**

<b>Jet Sport X 50 SR</b>	BK05W	50	1	2006-2015	4hp	0.6	BR8HSA	5539			
<b>Jungle 50</b>	GA05W	50	1	1997-2001	3hp	0.7	BR8HSA	5539			
<b>Mask 50</b>	BF05W	50	1	2003-2007		0.6	BR8HSA	5539			
<b>Mio 50</b>		50	1	2005-	4hp	0.7	CR6HSA	2983		CR6HIX	7274
<b>Orbit 50</b>	AV05W	50	1	2007-2009	3hp	0.6	CR7HSA	4549		CR7HIX	7544
<b>Orbit II 50</b>	AE05W	50	1	-	3hp	0.7	CR7HSA	4549		CR7HIX	7544
<b>Pure 50</b>		50	1	1996-	4hp	0.6	BR8HSA	5539			
<b>Red Devil</b>	BL05W	50	1	2003-2014		0.6	BR8HSA	5539			
<b>RS 50</b>		50	1	-		0.6	BR8HSA	5539			
<b>RS 50</b>	BS05W	50	1	2004-2009	4hp	0.6	BR8HSA	5539			
<b>Shark</b>		50	1	2000-		0.7	BPR8HS	3725		BPR8HIX	6742
<b>Shark 50</b>		50	1	-		0.6	BR8HSA	5539			
<b>Shark 50</b>	BS05W	50	1	2000-2003	4hp	0.6	BR8HSA	5539			
<b>SK</b>		50	1	2000-		0.7	BR8HSA	5539			
<b>Super Fancy</b>	G5H3	50	1	1996-2001	3hp	0.6	BR8HSA	5539			
<b>Symphony SR 50</b>		50	1	-	3hp	0.7	CR6HSA	2983		CR6HIX	7274
<b>Symphony ST 50</b>		50	1	2009-		0.7	CR7HSA	4549		CR7HIX	7544
<b>Symply 50</b>		50	1	2009-	3hp	0.7	CR7HSA	4549		CR7HIX	7544
<b>Symply II 50</b>		50	1	2009-	3hp	0.7	CR7HSA	4549		CR7HIX	7544
<b>Jet 100</b>		100	1	-		0.6	BR8HSA	5539			
<b>Jet 100 Sport X S</b>		100	1	-		0.6	BR8HSA	5539			
<b>Jet 100 Sport X SR</b>		100	1	-		0.6	BR8HSA	5539			
<b>Mio 100</b>		100	1	2006-2016	8hp	0.7	CR6HSA	2983		CR6HIX	7274
<b>Mio 115</b>		115	1	2017-	10hp	0.7	LR7D	90072			
<b>Allo 125</b>	AJ12W	125	1	2011-2016	9hp	0.7	CR7HSA	4549		CR7HIX	7544
<b>Attila 125</b>		125	1	1998-2000		0.6	CR7HSA	4549		CR7HIX	7544
<b>Citycom 125</b>		125	1	-	13hp	0.8	CR7E	4578	Q225	CR7EIX	7385
<b>Crox 125</b>	AE12W8	125	1	2015-	9hp	0.7	CR7HSA	4549		CR7HIX	7544
<b>CT 125</b>		125	1	2004-		0.7	DR8EA	7162		DR8EIX	6681
<b>Euro MX 125</b>		125	1	-		0.7	CR8E	4854	Q226	CR8EIX	4218
<b>Euro MX 125 4V</b>		125	1	2005-		0.7	CR8E	4854	Q226	CR8EIX	4218
<b>Fiddle II 125</b>		125	1	2008-2014		0.6	CR7HSA	4549		CR7HIX	7544
<b>Fiddle III 125</b>	XA12W	125	1	2014-	10hp	0.7	CR7HSA	4549		CR7HIX	7544
<b>GTS 125</b>		125	1	2006-		0.7	CR8E	4854	Q226	CR8EIX	4218
<b>GTS 125 E2</b>		125	1	-		0.7	CR8E	4854	Q226	CR8EIX	4218
<b>GTS 125 E3</b>		125	1	-		0.7	CR8E	4854	Q226	CR8EIX	4218
<b>GTS 125i</b>	LN12WD	125	1	-	15hp	0.9	CPR8EA-9	2306		CPR8EAIX-9	96067
<b>GTS 125i</b>	LN12WF	125	1	-	15hp	0.9	CPR8EA-9	2306		CPR8EAIX-9	96067
<b>GTS 125 Voyager</b>		125	1	2005-		0.8	CR8E	4854	Q226	CR8EIX	4218
<b>GTS Sport 125i</b>	LN12WE	125	1	-	15hp	0.9	CPR8EA-9	2306		CPR8EAIX-9	96067
<b>GTS Sport 125i</b>	LN12WC	125	1	-	15hp	0.9	CPR8EA-9	2306		CPR8EAIX-9	96067
<b>GTS Voyager 125</b>		125	1	-		0.7	CR8E	4854	Q226	CR8EIX	4218
<b>HD 125</b>		125	1	-2004		0.7	DR8EA	7162		DR8EIX	6681
<b>HD 125</b>		125	1	2005-2008		0.7	CR8E	4854	Q226	CR8EIX	4218
<b>HD 125 EVO</b>		125	1	2008-		0.7	CR7E	4578	Q225	CR7EIX	7385
<b>HD 125 Orbit</b>		125	1	2004-		0.7	CR8E	4854	Q226	CR8EIX	4218
<b>HD 2</b>		125	1	2010-		0.7	CR8E	4854	Q226	CR8EIX	4218
<b>Husky 125</b>		125	1	1997-		0.7	DR8EA	7162		DR8EIX	6681
<b>Jet14 125i</b>	XC12W1	125	1	-	10hp	0.7	CR7HSA	4549		CR7HIX	7544
<b>Jet 4 125</b>		125	1	-	9hp	0.7	CR7HSA	4549		CR7HIX	7544
<b>Jet V 125</b>		125	1	-	10hp	0.7	CR7HSA	4549		CR7HIX	7544
<b>Joymax Sport 125i</b>	LN12WC	125	1	-	15hp	0.9	CPR8EA-9	2306		CPR8EAIX-9	96067

\*Bitte Elektrodenabstand nach Angaben des Herstellers justieren

\*Please adjust the ground electrode gap

\*Veuillez vérifier l'écartement

\* Por favor, ajustar la distancia entre los electrodos

\*Regolare il gap

\*\* Iridium IX Spark Plug is the standard recommendation





Stock No.

Quick No.

Upgrade ↑

Stock No. ↑

**SYM**

Joyride 125		125	1	-2002		0.7	CR8E	4854	Q226	CR8EIX	4218
Joyride 125		125	1	2003-2004		0.6	CR7HSA	4549		CR7HIX	7544
Joyride 125 E2		125	1	2005-		0.7	CR8E	4854	Q226	CR8EIX	4218
Joyride 125 E3		125	1	2005-		0.7	CR8E	4854	Q226	CR8EIX	4218
Joyride 125 Evo		125	1	2005-		0.7	CR8E	4854	Q226	CR8EIX	4218
Joyride S 125i	LF12W2	125	1	-	14hp	0.9	CPR8EA-9	2306		CPR8EAIX-9	96067
Megalo 125		125	1	2001-		0.6	CR7HSA	4549		CR7HIX	7544
MG 125 Megalo		125	1	-		0.6	CR7HSA	4549		CR7HIX	7544
Orbit 125		125	1	-		0.6	CR7HSA	4549		CR7HIX	7544
Orbit II 125		125	1	-	9hp	0.7	CR7HSA	4549		CR7HIX	7544
RS 125 4V		125	1	2005-		0.7	CR8E	4854	Q226	CR8EIX	4218
Shark 125		125	1	1999-		0.8	CR8E	4854	Q226	CR8EIX	4218
SK 125		125	1	2001-		0.7	CR8E	4854	Q226	CR8EIX	4218
Super Duke 125		125	1	1996-		0.6	CR7HSA	4549		CR7HIX	7544
Symphony 125		125	1	2009-		0.7	CR7HSA	4549		CR7HIX	7544
Symply 125		125	1	2009-		0.7	CR7HSA	4549		CR7HIX	7544
Symply II 125		125	1	2009-		0.7	CR7HSA	4549		CR7HIX	7544
VS 125		125	1	-		0.7	CR7E	4578	Q225	CR7EIX	7385
Wolf 125		125	1	2005-2009		0.7	DR8EA	7162		DR8EIX	6681
Wolf 125		125	1	2010-		0.7	DR7EA	7839		DR7EIX	5686
X-Pro 125i	AE12WC	125	1	-	10hp	0.7	CR7HSA	4549		CR7HIX	7544
XS 125-K		125	1	-		0.7	DR8EA	7162		DR8EIX	6681
Fiddle II 150		150	1	2010-		0.7	CR7HSA	4549		CR7HIX	7544
Joyride 150		150	1	-		0.7	CR8E	4854	Q226	CR8EIX	4218
Symphony 150		150	1	2010-		0.7	CR7HSA	4549		CR7HIX	7544
VS 150		150	1	2007-		0.7	CR8E	4854	Q226	CR8EIX	4218
HD Orbit 180		180		2004-		0.7	CR8E	4854	Q226	CR8EIX	4218
Joyride 180		180		2002-		0.7	CR8E	4854	Q226	CR8EIX	4218
HD 2		200	1	2010-		0.7	CR7E	4578	Q225	CR7EIX	7385
HD 200		200	1	2005-		0.7	CR8E	4854	Q226	CR8EIX	4218
HD 200 dd E2		200	1	-		0.7	CR8E	4854	Q226	CR8EIX	4218
HD 200i EVO E3		200	1	-		0.7	CR7E	4578	Q225	CR7EIX	7385
Joyride 200		200	1	2005-		0.7	CR8E	4854	Q226	CR8EIX	4218
MaxSym 200		200	1	2010-		0.7	CR8E	4854	Q226	CR8EIX	4218
GTS 250		250	1	2006-		0.7	CR8E	4854	Q226	CR8EIX	4218
GTS 250 E2		250	1	-		0.7	CR8E	4854	Q226	CR8EIX	4218
GTS 250i E3		250	1	-		0.7	CR8E	4854	Q226	CR8EIX	4218
Joymax 250		250	1	2006-		0.7	CR8E	4854	Q226	CR8EIX	4218
Citycom 300i		300	1	-	21hp	0.7	CR8E	4854	Q226	CR8EIX	4218
Citycom S 300i		300	1	-	27hp	0.8	CR8E	4854	Q226	CR8EIX	4218
Cruisym 300i	LV301	300	1	2017-	27hp	0.8	CR8E	4854	Q226	CR8EIX	4218
GTS 300		300	1	-		0.7	CR8E	4854	Q226	CR8EIX	4218
GTS 300i	LN30W9	300	1	-	27hp	0.8	CR8E	4854	Q226	CR8EIX	4218
GTS 300i EVO	LM30W	300	1	-	23hp	0.8	CR8E	4854	Q226	CR8EIX	4218
GTS Sport 300i	LN30WA	300	1	-	27hp	0.8	CR8E	4854	Q226	CR8EIX	4218
Joymax 300i	LN30W9	300	1	-	27hp	0.8	CR8E	4854	Q226	CR8EIX	4218
Joymax Evo 300		300	1	2008-		0.7	CR8E	4854	Q226	CR8EIX	4218
Joymax Sport 300i	LN30WA	300	1	-	27hp	0.8	CR8E	4854	Q226	CR8EIX	4218
MaxSym 400		400	1	2010-2016		0.7	CR8E	4854	Q226	CR8EIX	4218
MaxSym 400i	LX40A4	400	1	-	35hp	0.9	CPR8EA-9	2306		CPR8EAIX-9	96067
500 GT		500	1	2004-		0.6	CR7EKB	4455			
500 XP		500	1	2004-		0.6	CR7EKB	4455			

\* Bitte Elektrodenabstand nach Angaben des Herstellers justieren

\* Please adjust the ground electrode gap

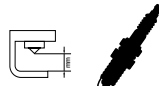
\* Veuillez vérifier l'écartement

\* Por favor, ajustar la distancia entre los electrodos

\* Regolare il gap

\* Iridium IX Spark Plug is the standard recommendation





Stock No.

Quick No.

Upgrade ↑

Stock No. ↑

**SYM**

MaxSym 600i	LX60A	600	1	-	45hp	0.8	CR8E	4854	Q226	CR8EIX	4218
-------------	-------	-----	---	---	------	-----	------	------	------	--------	------

**T.G.M. Bimota**

Akros 50		50	1	-		0.7	BP6HS	4511		BPR6HIX	4085
Ergon 50		50	1	-		0.7	BP6HS	4511		BPR6HIX	4085

**TAMORETTI**

Retro 50		50	1	2005-		0.7	CR7HSA	4549		CR7HIX	7544
Retro 125		125	1	2005-		0.7	CR7HSA	4549		CR7HIX	7544
Stealth 125		125	1	2005-		0.7	CR7HSA	4549		CR7HIX	7544

**TGB**

202 Classic		50	1	-		0.5	BPR7HS	6422		BPR7HIX	5944
202T Big Wheels		50	1	1998-		0.8	BPR7HS	6422		BPR7HIX	5944
302 Sport		50	1	2002-		0.7	BPR7HS	6422		BPR7HIX	5944
303 R Hawk		50	1	2002-		0.7	BPR7HS	6422		BPR7HIX	5944
AKROStec		50	1	2003-2005		0.7	BPR7HS	6422		BPR7HIX	5944
Bunny AS 50 X		50	1	-		0.6	BP6HS	4511		BPR6HIX	4085
Delivery		50	1	2003-		0.7	BPR7HS	6422		BPR7HIX	5944
Ergon		50	1	1998-		0.8	BPR7HS	6422		BPR7HIX	5944
KBX 50		50	1	-		0.6	BP6HS	4511		BPR6HIX	4085
R50X		50	1	2005-		0.7	BPR7HS	6422		BPR7HIX	5944
202T Palio		125	1	1998-		0.7	C7HSA	4629		CR7HIX	7544
202T Palio		125	1	1998-	FR	0.7	CR7HSA	4549		CR7HIX	7544
204 Classic		125	1	2002-2007		0.7	CR7HSA	4549		CR7HIX	7544
303 R		125	1	-		0.7	CR7HSA	4549		CR7HIX	7544
303 R Hawk		125	1	2007-		0.7	CR7HSA	4549		CR7HIX	7544
304 Sport		125	1	2002-		0.7	CR7HSA	4549		CR7HIX	7544
309 RS		125	1	-		0.7	CR7HSA	4549		CR7HIX	7544
404 Executive		125	1	2002-2007		0.7	CR7HSA	4549		CR7HIX	7544
Delivery		125	1	2005-		0.7	CR7HSA	4549		CR7HIX	7544
F409		125	1	-		0.7	CR7HSA	4549		CR7HIX	7544
Laser		125	1	-		0.7	CR7HSA	4549		CR7HIX	7544
R125X		125	1	2008-		0.7	CR7HSA	4549		CR7HIX	7544
303R		150	1	-		0.7	CR7HSA	4549		CR7HIX	7544
309RS		150	1	-		0.7	CR7HSA	4549		CR7HIX	7544
F409		150	1	-		0.7	CR7HSA	4549		CR7HIX	7544
Laser		150	1	-		0.7	CR7HSA	4549		CR7HIX	7544

**TITAN**

Coyote		1573	2	1997-2003		0.7	BPR5ES	7422		BPR5EIX	6597
Fat Bobber		1573	2	2008-	S&S	1.1	BPR5ES-11	4424		BPR5EIX-11	2115
Gecko		1573	2	1997-2003		0.7	BPR5ES	7422		BPR5EIX	6597
Roadrunner		1573	2	1997-2003		0.7	BPR5ES	7422		BPR5EIX	6597
Scorpion		1573	2	1997-2003		0.7	BPR5ES	7422		BPR5EIX	6597
Sidewinder		1573	2	1997-2003		0.7	BPR5ES	7422		BPR5EIX	6597
Custom Pro Street		1753	2	-	S&S	1.1	BPR5ES-11	4424		BPR5EIX-11	2115
Custom Rubber Mount Chopper		1852	2	-	S&S	1.1	BPR5ES-11	4424		BPR5EIX-11	2115
Custom Softail Chop- per		1852	2	-	S&S	1.1	BPR5ES-11	4424		BPR5EIX-11	2115
Radical Rigid		1852	2	-	S&S	1.1	BPR5ES-11	4424		BPR5EIX-11	2115
Custom Rubber Mount Chopper		2003	2	-	S&S	0.8	DCPR7E	3932		DCPR7EIX	6046
Custom Softail Choppe		2003	2	-	S&S	0.8	DCPR7E	3932		DCPR7EIX	6046
Radical Rigid		2003	2	-	S&S	0.8	DCPR7E	3932		DCPR7EIX	6046

\* Bitte Elektrodenabstand nach Angaben des Herstellers justieren  
 \* Please adjust the ground electrode gap  
 \* Veuillez vérifier l'écartement

\* Por favor, ajustar la distancia entre los electrodos  
 \* Regolare il gap  
 \*\* Iridium IX Spark Plug is the standard recommendation





Stock No.

Quick No.

Upgrade ↑

Stock No. ↑

**TM RACING**

Cross 80		80	1	1994-		0.6	B9EG	3530			
Cross 80		80	1	1994-	FR	0.6	BR9EG	3230			
Enduro 80		80	1	1994-		0.6	B9EG	3530			
Enduro 80		80	1	1994-	FR	0.6	BR9EG	3230			
Cross 125		125	1	1994-		0.6	B10EG	3630			
Cross 125		125	1	1994-	FR	0.6	BR9EG	3230			
EN 125		125	1	2003-		0.6	BR9EG	3230			
Enduro 125		125	1	1994-		0.6	B10EG	3630			
Enduro 125		125	1	1994-	FR	0.6	BR9EG	3230			
MX 125 Racing		125	1	2005-		0.6	BR9EG	3230			
Cross 250		250	1	1994-		0.6	B9EG	3530			
Cross 250		250	1	1994-	FR	0.6	BR8EG	3130			
EN 250		250	1	2003-		0.5	BR8EG	3130			
EN 250		250	1	2005-		0.7	CR8E	4854	Q226	CR8EIX	4218
EN 250		250	1	2005-		0.6	BR8EG	3130			
EN 250 Cross		250	1	2001-		0.7	CR8E	4854	Q226	CR8EIX	4218
EN 250 Enduro		250	1	2001-		0.7	CR8E	4854	Q226	CR8EIX	4218
EN 250 F		250	1	2004-		0.7	CR8E	4854	Q226	CR8EIX	4218
Enduro 250		250	1	1994-		0.6	B9EG	3530			
Enduro 250		250	1	1994-	FR	0.6	BR8EG	3130			
Cross 300		300	1	-		0.6	B9EG	3530			
Cross 300		300	1	1994-		0.6	BR9EG	3230			
EN 300		300	1	2003-		0.5	BR8EG	3130			
Enduro 300		300	1	-		0.6	B9EG	3530			
Enduro 300		300	1	1994-		0.6	BR9EG	3230			
Cross 400		400	1	2002-		0.7	CR8E	4854	Q226	CR8EIX	4218
Enduro 400		400	1	2002-		0.7	CR8E	4854	Q226	CR8EIX	4218
EN 450		450	1	2005-		0.7	CR8E	4854	Q226	CR8EIX	4218
EN 450 F		450	1	2004-		0.7	CR8E	4854	Q226	CR8EIX	4218
MX 450 Racing		450	1	2005-		0.7	CR8E	4854	Q226	CR8EIX	4218
EN 530		530	1	2005-		0.7	CR8E	4854	Q226	CR8EIX	4218
MX 530 Racing		530	1	2005-		0.7	CR8E	4854	Q226	CR8EIX	4218

**TNG**

Venice 492		50	1	-		0.7	BP7HS	5111		BPR7HIX	5944
Del Ray 125		125	1	-		0.7	C7HSA	4629		CR7HIX	7544
Milano 125		125	1	-		0.7	C7HSA	4629		CR7HIX	7544
Baja 150		150	1	-		0.6	C7HSA	4629		CR7HIX	7544
Milano 150		150	1	-		0.7	C7HSA	4629		CR7HIX	7544

**TOKAIDO**

RC 25		25	1	-		0.8	B5HS	4210			
2000 K50		50	1	1996-		0.6	BR7HS	4737		BR7HIX	7067
50 V		50	1	-		0.6	BP7HS	5111		BPR7HIX	5944
SM 50		50	1	-		0.6	BP7HS	5111		BPR7HIX	5944
SM 50/1		50	1	-		0.6	BP7HS	5111		BPR7HIX	5944

**TOMOS**

Forza		49	1	-		0.6	BPR8HS	3725		BPR8HIX	6742
Quadro 25		49	1	-		0.6	B6HS	4510		BR6HIX	3419
Super Tom		50	1	-		0.8	B7HS	5110		BR7HIX	7067
Tomos		50	1	-		0.5	B7HS	5110		BR7HIX	7067
Tomos Cross		50	1	-		0.5	B8HS	5510		BR8HIX	7001
Tomos		80	1	-		0.5	B7HS	5110		BR7HIX	7067

\* Bitte Elektrodenabstand nach Angaben des Herstellers justieren

\* Please adjust the ground electrode gap

\* Veuillez vérifier l'écartement

\* Por favor, ajustar la distancia entre los electrodos

\* Regolare il gap

\* Iridium IX Spark Plug is the standard recommendation







Stock No.

Quick No.

Upgrade ↑

Stock No. ↑

**TORPADO**

Derby Automatic		50	1	-		0.6	B6HS	4510		BR6HIX	3419
Derby Deluxe		50	1	-		0.5	B5HS	4210			
Golf Deluxe		50	1	-		0.5	B5HS	4210			
Green		50	1	-		0.5	B5HS	4210			
Green Deluxe		50	1	-		0.5	B5HS	4210			

**TRIUMPH**

Twins with 3/4"		250		-		0.6	B8ES	2411	Q201	BR8EIX	5044
Daytona 600		600	4	2003-2004	110hp	0.7	CR9EK	5600	Q230		
Speed Four 600		600	4	2002-2005		0.7	CR9EK	5600	Q230		
Speed Triple S 600		600	4	2002-		0.7	CR9EK	5600	Q230		
TT 600		600	4	1999-2003		0.7	CR9EK	5600	Q230		
Daytona 650		650	4	2004-2005		0.7	CR9EK	5600	Q230		
Daytona 675	D67LC	675	3	2006-2012		0.7	CR9EK	5600	Q230		
Daytona 675		675	3	2013-		0.7	CR9EIA-9	6289			
Daytona 675		675	3	2013-2013		0.7	CR9EIA-9	6289			
Daytona 675 R		675	3	2011-2012		0.7	CR9EIA-9	6289			
Daytona 675 R		675	3	2013-		0.7	CR9EIA-9	6289			
Daytona 675 RR		675	3	2006-2008		0.7	CR9EK	5600	Q230		
Street Triple 675		675	3	2007-2011	108hp	0.7	CR9EK	5600	Q230		
Street Triple 675 R		675	3	2008-2011	108hp	0.7	CR9EK	5600	Q230		
Speed Triple 750		750	3	1994-1997		0.9	DPR8EA-9	4929	Q221	DPR8EIX-9	2202
America		790	2	2002-2006		0.9	DPR8EA-9	4929	Q221	DPR8EIX-9	2202
Bonneville	T100	790	2	2002-2004		0.9	DPR8EA-9	4929	Q221	DPR8EIX-9	2202
Bonneville America		790	2	2002-2006		0.9	DPR8EA-9	4929	Q221	DPR8EIX-9	2202
Bonneville Black		790	2	2000-2006		0.9	DPR8EA-9	4929	Q221	DPR8EIX-9	2202
Speedmaster		790	2	2001-		0.9	DPR8EA-9	4929	Q221	DPR8EIX-9	2202
Bonneville 800		800	2	2001-2006		0.9	DPR8EA-9	4929	Q221	DPR8EIX-9	2202
Tiger 800		800	3	2010-	95hp	0.7	CR9EK	5600	Q230		
Tiger 800 XC		800	3	2010-	95hp	0.7	CR9EK	5600	Q230		
Tiger 800 XRT		800	3	2015-	95hp	0.7	CR9EK	5600	Q230		
America 865		865	2	2006-		0.9	DPR8EA-9	4929	Q221	DPR8EIX-9	2202
Bonneville 865		865	2	2005-2016		0.9	DPR8EA-9	4929	Q221	DPR8EIX-9	2202
Scrambler 865		865	2	2006-		0.9	DPR8EA-9	4929	Q221	DPR8EIX-9	2202
Speedmaster 865		865	2	2005-		0.9	DPR8EA-9	4929	Q221	DPR8EIX-9	2202
Thruxton 865		865	2	2003-2015		0.9	DPR8EA-9	4929	Q221	DPR8EIX-9	2202
Thruxton 865 SE		865	2	2010-		0.9	DPR8EA-9	4929	Q221	DPR8EIX-9	2202
Adventurer 900		900	3	1996-2001		0.9	DPR8EA-9	4929	Q221	DPR8EIX-9	2202
Bonneville 900 EFI	T100	900	2	2017-	55hp	0.9	LMAR8A-9	4313			
Daytona 900 Super III		900	3	1994-1996		0.9	DPR8EA-9	4929	Q221	DPR8EIX-9	2202
Legend 900 TT		900	3	1998-2001		0.9	DPR9EA-9	5329	Q222	DPR9EIX-9	5545
Scrambler 900		900	2	2006-		0.9	DPR8EA-9	4929	Q221	DPR8EIX-9	2202
Speedmaster 900		900	2	2005-		0.9	DPR8EA-9	4929	Q221	DPR8EIX-9	2202
Speed Triple 900		900	3	1994-1996		0.9	DPR8EA-9	4929	Q221	DPR8EIX-9	2202
Speed Triple 900	T509	900	3	1997-		0.9	DPR8EA-9	4929	Q221	DPR8EIX-9	2202
Sprint 900		900	3	1993-1996		0.9	DPR8EA-9	4929	Q221	DPR8EIX-9	2202
Street Cup 900 EFI		900	2	2017-	55hp	0.9	LMAR8A-9	4313			
Street Twin 900 EFI		900	2	2016-	55hp	0.9	LMAR8A-9	4313			
Thruxton 900		900	2	2004-		0.9	DPR8EA-9	4929	Q221	DPR8EIX-9	2202
Thunderbird 900		900	3	1995-2004		0.9	DPR8EA-9	4929	Q221	DPR8EIX-9	2202
Thunderbird 900 Sport		900	3	1998-2004		0.9	DPR8EA-9	4929	Q221	DPR8EIX-9	2202
Tiger 900		900	3	1993-1998		0.9	DPR8EA-9	4929	Q221	DPR8EIX-9	2202
Tiger 900	T709	900	3	1998-2001		0.9	DPR8EA-9	4929	Q221	DPR8EIX-9	2202

\* Bitte Elektrodenabstand nach Angaben des Herstellers justieren  
 \* Please adjust the ground electrode gap  
 \* Veuillez vérifier l'écartement

\* Por favor, ajustar la distancia entre los electrodos  
 \* Regolare il gap  
 \*\* Iridium IX Spark Plug is the standard recommendation





Stock No.

Quick No.

Upgrade ↑

Stock No. ↑

**TRIUMPH**

<b>Daytona 955i</b>	T595	955	3	1997-2001		0.9	DPR8EA-9	4929	Q221	DPR8EIX-9	2202
<b>Daytona 955i</b>	595N	955	3	2002-2006		0.6	CR9EK	5600	Q230		
<b>Speed Triple 955</b>		955	3	1998-2001		0.9	DPR8EA-9	4929	Q221	DPR8EIX-9	2202
<b>Speed Triple 955</b>		955	3	2002-2004		0.6	CR9EK	5600	Q230		
<b>Sprint 955 RS</b>		955	3	1999-2000		0.9	DPR8EA-9	4929	Q221	DPR8EIX-9	2202
<b>Sprint 955 RS</b>		955	3	2001-2005		0.6	CR9EK	5600	Q230		
<b>Sprint 955 ST</b>		955	3	1998-2000		0.9	DPR8EA-9	4929	Q221	DPR8EIX-9	2202
<b>Sprint 955 ST</b>		955	3	2001-		0.6	CR9EK	5600	Q230		
<b>Tiger 955i</b>		955	3	2001-2007		0.9	DPR8EA-9	4929	Q221	DPR8EIX-9	2202
<b>HM 1050</b>		1050	3	2007-		0.7	CR9EK	5600	Q230		
<b>Speed 1050 Triple</b>		1050	3	2005-		0.7	CR8EK	3478			
<b>Speed 94</b>		1050	3	2015-		0.7	CR8EK	3478			
<b>Speed 94R</b>		1050	3	2015-		0.7	CR8EK	3478			
<b>Sprint 1050 GT</b>		1050	3	2010-		0.7	CR8EK	3478			
<b>Sprint 1050 ST</b>		1050	3	2005-		0.7	CR8EK	3478			
<b>Tiger 1050</b>		1050	3	2006-		0.7	CR8EK	3478			
<b>Tiger Sport 1050</b>		1050	3	2013-		0.7	CR8EK	3478			
<b>Bonneville 1200 EFI</b>	T120	1200	2	2016-	80hp	0.9	LMAR8A-9	4313			
<b>Daytona 1200</b>		1200	4	1993-2000		0.9	DPR8EA-9	4929	Q221	DPR8EIX-9	2202
<b>Thruxton 1200 EFI</b>		1200	2	2016-	97hp	0.9	LMAR8A-9	4313			
<b>Thruxton 1200 R EFI</b>		1200	2	2016-	97hp	0.9	LMAR8A-9	4313			
<b>Tiger 1200</b>		1200	3	2012-	141hp	0.7	CR8EK	3478			
<b>Trophy 1200</b>		1200	3	2012-		0.7	CR8EK	3478			
<b>Thunderbird 1600</b>		1600	2	2009-	Twin Spark	0.9	DPR6EA-9	5531			
<b>Thunderbird Storm 1600</b>		1600	2	2009-		0.9	DPR6EA-9	5531			
<b>Thunderbird 1700 LT</b>		1700	2	2014-	Twin Spark	0.9	DPR6EA-9	5531			
<b>Thunderbird Commander 1700</b>		1700	2	2014-	Twin Spark	0.9	DPR6EA-9	5531			
<b>Thunderbird Storm 1700</b>		1700	2	2011-	Twin Spark	0.9	DPR6EA-9	5531			
<b>Rocket 2300 III</b>		2300	3	2004-	Twin Spark	0.9	DPR7EA-9	5129	Q220	DPR7EIX-9	7803
<b>Rocket 2300 III Classic</b>		2300	3	2006-	Twin Spark, Italy	0.9	DPR7EA-9	5129	Q220	DPR7EIX-9	7803
<b>Rocket 2300 III Roadster</b>		2300	3	2009-	Twin Spark	0.9	DPR7EA-9	5129	Q220	DPR7EIX-9	7803
<b>Rocket 2300 III Touring</b>		2300	3	2008-	Twin Spark	0.9	DPR7EA-9	5129	Q220	DPR7EIX-9	7803

**TROTILEX**

<b>Trotilex 50</b>		50	1	-		0.5	B-4H	4110			
--------------------	--	----	---	---	--	-----	------	------	--	--	--

**URAL**

<b>Deco Cruiser</b>		648	2	1997-		0.6	BP4HS	3611			
<b>Italia Cruiser</b>		648	2	1997-		0.6	BP4HS	3611			
<b>Solo Cruiser</b>		648	2	1997-		0.6	BP4HS	3611			
<b>Sportsman Classic</b>		648	2	1997-		0.6	BP4HS	3611			
<b>Tourist Classic</b>		648	2	1997-		0.6	BP4HS	3611			
<b>IMZ-10</b>		650	2	-		0.6	BP4HS	3611			
<b>IMZ-40</b>		650	2	-		0.6	BP4HS	3611			
<b>IMZ-50</b>		650	2	-		0.6	BP4HS	3611			
<b>M3-8.103</b>		650	2	-	32hp	0.5	BP5HS	4111			
<b>M3-8.123</b>		650	2	-	36hp	0.7	BP6ES	7811		BPR6EIX	6637
<b>Solo Single</b>		650	2	1994-1996		0.6	BP4HS	3611			
<b>Sportsman</b>		650	2	1994-1996		0.6	BP4HS	3611			
<b>Tourist Sidecar</b>		650	2	1994-1996		0.6	BP4HS	3611			
<b>Ural</b>		745	2	-		0.5	BP7HS	5111		BPR7HIX	5944

\* Bitte Elektrodenabstand nach Angaben des Herstellers justieren

\* Please adjust the ground electrode gap

\* Veuillez vérifier l'écartement

\* Por favor, ajustar la distancia entre los electrodos

\* Regolare il gap

\* Iridium IX Spark Plug is the standard recommendation





Stock No.

Quick No.

Upgrade ↑

Stock No. ↑

**URAL**

Tourist		750	2	-		0.5	B7HS	5110		BR7HIX	7067
---------	--	-----	---	---	--	-----	------	------	--	--------	------

**URAL AMERICA**

Bavarian Classic		650	2	1999-		*	BPR8HIX**	6742			
Deco Classic		650	2	1997-1998		0.7	BP7HS	5111		BPR7HIX	5944
Deco Classic		650	2	1999-		*	BPR8HIX**	6742			
Deco Cruiser		650	2	1998-		0.7	BP7HS	5111		BPR7HIX	5944
Italia Cruiser		650	2	1994-1997		0.7	BP7HS	5111		BPR7HIX	5944
Italia Cruiser II		650	2	1998-		0.7	BP7HS	5111		BPR7HIX	5944
Patrol Classic		650	2	1999-		*	BPR8HIX**	6742			
Solo Classic		650	2	1999-		*	BPR8HIX**	6742			
Solo Cruiser		650	2	1998-		0.7	BP7HS	5111		BPR7HIX	5944
Solo Single		650	2	1994-1997		0.7	BP7HS	5111		BPR7HIX	5944
Sportsman		650	2	1994-1996		0.7	BP7HS	5111		BPR7HIX	5944
Sportsman Classic		650	2	1997-1998		0.7	BP7HS	5111		BPR7HIX	5944
Tourist Classic		650	2	1997-1998		0.7	BP7HS	5111		BPR7HIX	5944
Tourist Classic		650	2	1999-		*	BPR8HIX**	6742			
Tourist Sidecar		650	2	1994-1997		0.7	BP7HS	5111		BPR7HIX	5944

**VALENTI**

CR 80W Cross		80	1	-	YAMAHA	0.5	BR10EIX**	6801			
--------------	--	----	---	---	--------	-----	-----------	------	--	--	--

**VELOCIFERO**

Velocifero 50		50	1	-		0.6	B8HS	5510		BR8HIX	7001
---------------	--	----	---	---	--	-----	------	------	--	--------	------

**VERTEMATI**

S 501		500	1	2009-		0.7	CR9EK	5600	Q230		
SR 501		500	1	2009-		0.7	CR9EK	5600	Q230		
E 450		503	1	2009-		0.7	CR9EK	5600	Q230		
E 450 E		503	1	2009-		0.7	CR9EK	5600	Q230		
E 501		503	1	2009-	Italy	0.7	CR9EK	5600	Q230		
E 501 E		503	1	2009-		0.7	CR9EK	5600	Q230		
E 570		503	1	2009-	Italy	0.7	CR9EK	5600	Q230		
E 570 E		503	1	2009-	Italy	0.7	CR9EK	5600	Q230		
S 570		570	1	2003-		0.7	CR9EK	5600	Q230		

**VICTORY**

8-Ball		1500	2	2005-		0.9	CPR6EB-9	5958			
Classic Cruiser		1500	2	2003-		0.9	CPR6EB-9	5958			
Cruiser		1500	2	1998-2001		1.0	DCPR6E	3481		DCPR6EIX	8196
Cruiser		1500	2	2002-		0.9	CPR6EB-9	5958			
Hammer		1500	2	2005-		0.9	CPR6EB-9	5958			
Kingpin		1500	2	2004-2005		0.9	CPR6EB-9	5958			
Kingpin Ness Signature		1500	2	2005-		0.9	CPR6EB-9	5958			
Spezial Edition		1500	2	2000-		1.0	DCPR6E	3481		DCPR6EIX	8196
Sport Cruiser		1500	2	2000-2001		1.0	DCPR6E	3481		DCPR6EIX	8196
Standard Cruiser		1500	2	1999-2002		1.0	DCPR6E	3481		DCPR6EIX	8196
Touring Cruiser		1500	2	2000-2001		1.0	DCPR6E	3481		DCPR6EIX	8196
Touring Cruiser		1500	2	2002-2005		0.9	CPR6EB-9	5958			
Vegas		1500	2	2003-2005		0.9	CPR6EB-9	5958			
Vegas ANSS		1500	2	2004-		0.9	CPR6EB-9	5958			
Vegas Ness Signature		1500	2	2005-		0.9	CPR6EB-9	5958			
V92C		1507	2	1999-2001		1.0	DCPR6E	3481		DCPR6EIX	8196
V92C		1507	2	2002-2004		0.8	CPR6EB-9	5958			

\*Bitte Elektrodenabstand nach Angaben des Herstellers justieren

\*Please adjust the ground electrode gap

\*Veuillez vérifier l'écartement

\* Por favor, ajustar la distancia entre los electrodos

\*Regolare il gap

\*\* Iridium IX Spark Plug is the standard recommendation





Stock No.

Quick No.

Upgrade ↑

Stock No. ↑

**VICTORY**

Vegas Low		1631	2	2008-		1.0	DCPR6E	3481		DCPR6EIX	8196
Hammer		1634	2	2006-	Engine Freedom	0.9	CPR6EB-9	5958			
Hammer 8-Ball		1634	2	2005-		0.9	CPR6EB-9	5958			
Kingpin		1634	2	2006-		0.9	CPR6EB-9	5958			
Kingpin		1634	2	2008-		1.0	DCPR6E	3481		DCPR6EIX	8196
Kingpin 8-Ball		1634	2	2005-		0.9	CPR6EB-9	5958			
Kingpin 8-Ball		1634	2	2008-		1.0	DCPR6E	3481		DCPR6EIX	8196
Ness Signature Jackpot		1634	2	2006-	Engine Freedom	0.9	CPR6EB-9	5958			
Touring Cruiser		1634	2	2006-	Engine Freedom	0.9	CPR6EB-9	5958			
Vegas		1634	2	2005-		0.9	CPR6EB-9	5958			
Vegas		1634	2	2006-	Engine Freedom	0.9	CPR6EB-9	5958			
Vegas 8-Ball		1634	2	2005-		0.9	CPR6EB-9	5958			
Vegas 8-Ball		1634	2	2006-	Engine Freedom	0.9	CPR6EB-9	5958			
Vegas Jackpot		1634	2	2005-		0.9	CPR6EB-9	5958			
Vegas Jackpot		1634	2	2006-	Engine Freedom	0.9	CPR6EB-9	5958			
8-Ball		1700	2	2011-		0.9	DCPR6E	3481		DCPR6EIX	8196
Cross Country		1700	2	2011-		0.9	DCPR6E	3481		DCPR6EIX	8196
Hammer		1700	2	2011-		0.9	DCPR6E	3481		DCPR6EIX	8196
Jackpot		1700	2	2011-		0.9	DCPR6E	3481		DCPR6EIX	8196
S Suede		1700	2	2011-		0.9	DCPR6E	3481		DCPR6EIX	8196
Vision Tour ABS		1700	2	2011-		0.9	DCPR6E	3481		DCPR6EIX	8196
Zach Ness Cross Vegas SL		1700	2	2011-		0.9	DCPR6E	3481		DCPR6EIX	8196
Arlen Ness Vision		1731	2	2010-		0.8	DCPR6E	3481		DCPR6EIX	8196
Broadwalk		1731	2	2013-		0.8	DCPR6E	3481		DCPR6EIX	8196
Cory Ness Jackpot		1731	2	2010-		0.8	DCPR6E	3481		DCPR6EIX	8196
Cross Country		1731	2	2010-		0.8	DCPR6E	3481		DCPR6EIX	8196
Cross Country Tour		1731	2	2010-		0.8	DCPR6E	3481		DCPR6EIX	8196
Cross Roads		1731	2	2010-		0.8	DCPR6E	3481		DCPR6EIX	8196
Hammer S		1731	2	2008-		1.0	DCPR6E	3481		DCPR6EIX	8196
Vegas Jackpot		1731	2	2008-		1.0	DCPR6E	3481		DCPR6EIX	8196
Vision		1731	2	2008-		0.8	DCPR6E	3481		DCPR6EIX	8196

**VILLA BS**

Giorno 50		50	1	-		0.6	BR8HSA	5539			
GP 50 Dio		50	1	-		0.6	BPR8HS	3725		BPR8HIX	6742
SP 50 Dio		50	1	-		0.6	BPR7HS	6422		BPR7HIX	5944
Z5 50		50	1	-		0.6	BR8HSA	5539			
ZX 50		50	1	-		0.6	BR8HSA	5539			

**VIVA**

Viva 50		50	1	1996-		0.5	BP7HS	5111		BPR7HIX	5944
---------	--	----	---	-------	--	-----	-------	------	--	---------	------

**VOR**

EN 400 Enduro		400	1	2000-		0.6	CR8EK	3478			
ENE 400		400	1	2004-		0.6	CR8EK	3478			
EN-MAR 400		400	1	2004-		0.6	CR8EK	3478			
MX 400 Cross		400	1	2000-		0.6	CR8EK	3478			
SM 400 Super Moto		400	1	2000-		0.6	CR8EK	3478			
SM 400 Super Moto Competition		400	1	2000-		0.6	CR8EK	3478			
EN 500 Enduro		503	1	1999-		0.6	CR8EK	3478			
MX 500 Cross		503	1	1999-		0.6	CR8EK	3478			
SM 503 Super Moto		503	1	1999-		0.6	CR8EK	3478			

\* Bitte Elektrodenabstand nach Angaben des Herstellers justieren

\* Please adjust the ground electrode gap

\* Veuillez vérifier l'écartement

\* Por favor, ajustar la distancia entre los electrodos

\* Regolare il gap

\* Iridium IX Spark Plug is the standard recommendation





Stock No.

Quick No.

Upgrade ↑

Stock No. ↑

**VOR**

<b>SM 503 Super Moto Competition</b>		503	1	1999-		0.6	CR8EK	3478			
<b>ENE 530</b>		530	1	2004-		0.6	CR8EK	3478			
<b>EN-MAR 530</b>		530	1	2004-		0.6	CR8EK	3478			
<b>Super Motard Com. 530</b>		530	1	2000-	Italy	0.6	CR8EK	3478			

**WINKING**

<b>Bunny AS</b>		50	1	-		0.7	BP7HS	5111		BPR7HIX	5944
<b>Bunny AS 50 X</b>		50	1	-		0.7	BP6HS	4511		BPR6HIX	4085
<b>Bunny AT</b>		50	1	-		0.7	BP7HS	5111		BPR7HIX	5944
<b>Bunny AX</b>		50	1	-		0.7	BP7HS	5111		BPR7HIX	5944
<b>Koala 2</b>		50	1	-		0.6	B5HS	4210			
<b>Koala LM</b>		50	1	-		0.6	B6HS	4510		BR6HIX	3419
<b>Scooty Roller</b>		50	1	-		0.6	B6HS	4510		BR6HIX	3419

**WK (WHITE KNUCKLE)**

<b>Bellissima</b>		50	1	2013-	Italy	0.7	CR7HSA	4549		CR7HIX	7544
<b>Go 50</b>		50	1	2013-		0.7	CR7HSA	4549		CR7HIX	7544
<b>GP50</b>		50	1	2010-	Air	0.6	BPR7HS	6422		BPR7HIX	5944
<b>Mii 50</b>		50	1	2014-		0.7	CR7HSA	4549		CR7HIX	7544
<b>WASP R50</b>		50	1	2014-		0.7	CR7HSA	4549		CR7HIX	7544
<b>Bellissima</b>		125	1	2014-		0.7	CR7HSA	4549		CR7HIX	7544

**WP**

<b>Wave 50</b>		50	1	1996-		0.5	BPR7HS	6422		BPR7HIX	5944
----------------	--	----	---	-------	--	-----	--------	------	--	---------	------

**WUYANG**

<b>WY 50 QT</b>		50	1	2006-		0.6	C7HSA	4629		CR7HIX	7544
<b>WY 125-12</b>		125	1	2006-		0.9	DPR8EA-9	4929	Q221	DPR8EIX-9	2202
<b>WY 125-16C</b>		125	1	2006-		0.9	DPR8EA-9	4929	Q221	DPR8EIX-9	2202
<b>WY 125-24b cub</b>		125	1	2006-		0.6	C7HSA	4629		CR7HIX	7544

**XISPA**

<b>X 125 R</b>		125	1	2007-2008		0.6	BP5ES	6511		BPR5EIX	6597
<b>X 250 R</b>		250	1	2007-2008		0.6	BP5ES	6511		BPR5EIX	6597
<b>X 280 R</b>		273	1	2007-2008		0.6	BP5ES	6511		BPR5EIX	6597

**YAMAHA**

<b>50 Breeze</b>		50	1	1994-		0.6	BR7HS	4737		BR7HIX	7067
<b>Aerox 50</b>		50	1	1997-		0.6	BR8HS	4915	Q212	BR8HIX	7001
<b>Aerox 50 Racing</b>		50	1	2004-		0.6	BR8HS	4915	Q212	BR8HIX	7001
<b>Aerox 50 R Toyota Racing</b>		50	1	2003-		0.6	BR8HS	4915	Q212	BR8HIX	7001
<b>Axis 50</b>		50	1	1995-		0.6	BR7HS	4737		BR7HIX	7067
<b>BA 50</b>	4KNP00	50	1	2007-2007		0.6	BR7HS	4737		BR7HIX	7067
<b>BA 50 N</b>	4KNR00	50	1	2007-2007	Italy	0.6	BR7HS	4737		BR7HIX	7067
<b>BA 50 NH</b>	4KNS00	50	1	2007-2007		0.6	BR7HS	4737		BR7HIX	7067
<b>BA 50 S</b>	4KNT00	50	1	2007-2007		0.6	BR7HS	4737		BR7HIX	7067
<b>BW 50</b>	CW50	50	1	1992-		0.7	BR8HS	4915	Q212	BR8HIX	7001
<b>BW 50</b>	CW50	50	1	1996-		0.7	BR8HS	4915	Q212	BR8HIX	7001
<b>BW 50 Bump</b>	CW50RSX	50	1	1996-		0.7	BR8HS	4915	Q212	BR8HIX	7001
<b>BW 50 NG</b>	CW50RS	50	1	1996-		0.7	BR8HS	4915	Q212	BR8HIX	7001
<b>BW 50 Original</b>		50	1	1996-		0.7	BR8HS	4915	Q212	BR8HIX	7001
<b>BW 50 R</b>	4BX...	50	1	1996-		0.7	BR8HS	4915	Q212	BR8HIX	7001
<b>BW 50 R 12</b>		50	1	2001-		0.7	BR8HS	4915	Q212	BR8HIX	7001
<b>BW 50 Spy</b>	CW50RSP	50	1	1996-		0.7	BR8HS	4915	Q212	BR8HIX	7001

\*Bitte Elektrodenabstand nach Angaben des Herstellers justieren  
 \*Please adjust the ground electrode gap  
 \*Veuillez vérifier l'écartement

\* Por favor, ajustar la distancia entre los electrodos  
 \*Regolare il gap  
 \*\* Iridium IX Spark Plug is the standard recommendation





Stock No.

Quick No.

Upgrade ↑

Stock No. ↑

**YAMAHA**

<b>BWS NG 99</b>	SA056	50	1	1999-		0.6	BR8HS	4915	Q212	BR8HIX	7001
<b>BX 50</b>	10B100	50	1	2007-2007		0.7	CR8E	4854	Q226	CR8EIX	4218
<b>BX 50 N</b>	10B300	50	1	2007-2007		0.7	CR8E	4854	Q226	CR8EIX	4218
<b>BX 50 S</b>	10B200	50	1	2008-2008		0.7	CR8E	4854	Q226	CR8EIX	4218
<b>CE 50</b>		50	1	2007-2009		0.8	CR7E	4578	Q225	CR7EIX	7385
<b>CE 50 D</b>	3P3...	50	1	2007-2009		0.8	CR7E	4578	Q225	CR7EIX	7385
<b>CE 50 ZR</b>	3P3300	50	1	2009-2009		0.8	CR7E	4578	Q225	CR7EIX	7385
<b>CR 50 SS</b>		50	1	1993-		1.0	BP7HS-10	7829			
<b>CR 50 Z</b>		50	1	1993-		1.0	BP7HS-10	7829			
<b>CS 50</b>	49D100	50	1	2009-2009		0.7	BR8HS	4915	Q212	BR8HIX	7001
<b>CS 50 Z</b>	3D4W00	50	1	2009-2009		0.7	BR8HS	4915	Q212	BR8HIX	7001
<b>CV 50</b>		50	1	-		0.7	BPR6HS	7022		BPR6HIX	4085
<b>CV 50</b>	5SUA00	50	1	2007-2007		0.6	BPR7HS	6422		BPR7HIX	5944
<b>CV 50 A</b>	5SUC00	50	1	2007-2007		0.6	BPR7HS	6422		BPR7HIX	5944
<b>CV 50 R</b>	5SUB00	50	1	2007-2007		0.6	BPR7HS	6422		BPR7HIX	5944
<b>CV 50 Z-2</b>	5SW800	50	1	2007-2007		0.6	BPR7HS	6422		BPR7HIX	5944
<b>CV 50 ZR</b>	5SW700	50	1	2007-2007		0.6	BPR7HS	6422		BPR7HIX	5944
<b>CW 50</b>	4BX	50	1	1994-		0.7	BPR7HS	6422		BPR7HIX	5944
<b>CW 50</b>	5WW...	50	1	2007-2009		0.7	BR8HS	4915	Q212	BR8HIX	7001
<b>CW 50 L</b>	2B6...	50	1	2007-2009		0.7	BR8HS	4915	Q212	BR8HIX	7001
<b>CW 50 LN</b>	14C...	50	1	2008-2009		0.7	BR8HS	4915	Q212	BR8HIX	7001
<b>CW 50 N</b>	2B7...	50	1	2007-2009		0.7	BR8HS	4915	Q212	BR8HIX	7001
<b>CW 50 R</b>	4BX...	50	1	-		0.7	BR8HS	4915	Q212	BR8HIX	7001
<b>CW 50 RS</b>	2B1900	50	1	2009-2009		0.7	BR8HS	4915	Q212	BR8HIX	7001
<b>CW 50 RSP</b>	2B2...	50	1	2008-2009		0.7	BR8HS	4915	Q212	BR8HIX	7001
<b>CY 50</b>		50	1	1994-		0.7	BP7HS	5111		BPR7HIX	5944
<b>CY 50 E</b>		50	1	1993-		0.7	BP7HS	5111		BPR7HIX	5944
<b>CY 50 F</b>		50	1	1994-	Italy	0.7	BPR7HS	6422		BPR7HIX	5944
<b>DT 50</b>		50	1	-		0.8	B7HS	5110		BR7HIX	7067
<b>DT 50</b>		50	1	2003-		0.8	BR9ES	5722		BR9EIX	3981
<b>DT 50 E</b>		50	1	1993-		0.8	BR8ES	5422	Q207	BR8EIX	5044
<b>DT 50 F</b>		50	1	1994-		0.8	BR8ES	5422	Q207	BR8EIX	5044
<b>DT 50 LC</b>		50	1	1993-		0.8	BR8ES	5422	Q207	BR8EIX	5044
<b>DT 50 MX</b>		50	1	1992-1995		0.7	BR7HS	4737		BR7HIX	7067
<b>DT 50 R</b>		50	1	1997-		0.8	BR8ES	5422	Q207	BR8EIX	5044
<b>DT 50 RM</b>		50	1	1997-		0.8	BR8ES	5422	Q207	BR8EIX	5044
<b>DT 50 Supermotard</b>		50	1	2003-		0.8	BR9ES	5722		BR9EIX	3981
<b>DX 50 R</b>		50	1	1997-		0.8	BR8ES	5422	Q207	BR8EIX	5044
<b>DX 50 S</b>		50	1	1992-		0.7	BR7HS	4737		BR7HIX	7067
<b>ES 50</b>		50	1	-	Italy	0.7	B8HS	5510		BR8HIX	7001
<b>Evolis</b>	4FW	50	1	-		0.5	BR7HS	4737		BR7HIX	7067
<b>EW 50 N</b>		50	1	2007-2009		0.7	BR8HS	4915	Q212	BR8HIX	7001
<b>EW 50 Slider</b>	SA09	50	1	2000-2006		0.6	BR8HS	4915	Q212	BR8HIX	7001
<b>Fizz</b>	4RC	50	1	1995-		0.7	BR8HS	4915	Q212	BR8HIX	7001
<b>Forte</b>	3UG	50	1	-		0.7	BR8HS	4915	Q212	BR8HIX	7001
<b>Jog 50 R</b>		50	1	-		0.6	BR8HS	4915	Q212	BR8HIX	7001
<b>Jog 50 RR</b>		50	1	-		0.6	BR8HS	4915	Q212	BR8HIX	7001
<b>Jog-Z 50</b>		50	1	1995-		0.7	BP7HS	5111		BPR7HIX	5944
<b>MA 50</b>		50	1	-		0.7	BP4HS	3611			
<b>MA 50 M</b>		50	1	-		0.7	BP4HS	3611			
<b>MR 50</b>		50	1	-		0.7	B7HS	5110		BR7HIX	7067
<b>MR 50 H</b>		50	1	-		0.7	B7HS	5110		BR7HIX	7067

\*Bitte Elektrodenabstand nach Angaben des Herstellers justieren

\*Please adjust the ground electrode gap

\*Veuillez vérifier l'écartement

\* Por favor, ajustar la distancia entre los electrodos

\*Regolare il gap

\* Iridium IX Spark Plug is the standard recommendation





Stock No.

Quick No.

Upgrade ↑

Stock No. ↑

**YAMAHA**

<b>NS 50</b>	AEROX R	50	1	2013-	3hp	0.7	BR8HS	4915	Q212	BR8HIX	7001
<b>NS 50 F</b>	AEROX R	50	1	2014-	4hp	0.7	CR7E	4578	Q225	CR7EIX	7385
<b>NS 50 N</b>	AEROX R	50	1	2013-	3hp	0.7	BR8HS	4915	Q212	BR8HIX	7001
<b>PW 50 E</b>		50	1	1993-		0.8	BPR4HS	7823			
<b>SH 50</b>		50	1	-		1.0	BPR6HS-10	2633			
<b>SH 50 E</b>		50	1	1993-		1.0	BP6HS-10	6326			
<b>SH 50 ED</b>		50	1	1993-		1.0	BP6HS-10	6326			
<b>SH 50 F</b>		50	1	-		1.0	BPR6HS-10	2633			
<b>SH 50 MF</b>		50	1	1993-		1.0	BP6HS-10	6326			
<b>Spy 50</b>		50	1	-		0.6	BR8HS	4915	Q212	BR8HIX	7001
<b>T 50</b>		50	1	-		0.7	C6HSA	3228		CR6HIX	7274
<b>TT-R 50</b>		50	1	2009-		0.7	CR7HSA	4549		CR7HIX	7544
<b>TT-R 50 E</b>	1P6...	50	1	2007-		0.7	CR7HSA	4549		CR7HIX	7544
<b>TT-R 50 EX</b>	1P6...	50	1	2008-2008		0.7	CR7HSA	4549		CR7HIX	7544
<b>TT-R 50 EY</b>	1P6...	50	1	2009-2009		0.7	CR7HSA	4549		CR7HIX	7544
<b>TZR 50</b>	3TU3	50	1	1992-1995		0.8	BR9ES	5722		BR9EIX	3981
<b>TZR 50</b>	4YV1	50	1	1996-1998		0.8	BR8ES	5422	Q207	BR8EIX	5044
<b>TZR 50</b>	5DU5	50	1	2001-2002		0.8	CR8E	4854	Q226	CR8EIX	4218
<b>TZR 50</b>		50	1	2003-2016		0.8	BR9ES	5722		BR9EIX	3981
<b>TZR 50</b>		50	1	2003-2012		0.8	BR9ES	5722		BR9EIX	3981
<b>TZR 50</b>	5WX...	50	1	2007-2008		0.8	BR9ES	5722		BR9EIX	3981
<b>TZR 50</b>		50	1	2013-		0.7	CR8E	4854	Q226	CR8EIX	4218
<b>TZR R</b>		50	1	1997-		0.8	BR8ES	5422	Q207	BR8EIX	5044
<b>V 50</b>	3ACA00	50	1	2007-2007		0.7	BR7HS	4737		BR7HIX	7067
<b>V 50 D</b>		50	1	1993-		0.7	B7HS	5110		BR7HIX	7067
<b>V 50 D</b>	4AT900	50	1	2007-2007		0.7	BR7HS	4737		BR7HIX	7067
<b>V 50 E</b>		50	1	-		0.7	B7HS	5110		BR7HIX	7067
<b>V 50 FM</b>		50	1	-		0.6	B7HS	5110		BR7HIX	7067
<b>V 50 MA</b>		50	1	-		0.6	B6HS	4510		BR6HIX	3419
<b>V 50 N</b>	4AV900	50	1	2007-2007		0.7	BR7HS	4737		BR7HIX	7067
<b>XC 50</b>	13P...	50	1	2008-2008		0.6	CR7E	4578	Q225	CR7EIX	7385
<b>XC 50 D</b>	13P...	50	1	2007-2008		0.6	CR7E	4578	Q225	CR7EIX	7385
<b>XC 50 V Vino</b>		50	1	2006-		0.7	CR7E	4578	Q225	CR7EIX	7385
<b>XF 50</b>		50	1	2007-2009		0.8	CR7E	4578	Q225	CR7EIX	7385
<b>XF 50 E Giggle</b>		50	1	2007-2010	4hp	0.8	CR7E	4578	Q225	CR7EIX	7385
<b>XF 50 Giggle</b>		50	1	2008-		0.8	CR7E	4578	Q225	CR7EIX	7385
<b>YA 50</b>	5AK	50	1	1997-		0.7	BR7HS	4737		BR7HIX	7067
<b>YA 50 Axis</b>	50R	50	1	1997-		0.7	BR7HS	4737		BR7HIX	7067
<b>YB 50 S</b>		50	1	-		0.7	B7HS	5110		BR7HIX	7067
<b>YE 50</b>		50	1	1993-		0.7	BR7HS	4737		BR7HIX	7067
<b>YE 50 Zest</b>	4FW	50	1	-		0.7	BR8HS	4915	Q212	BR8HIX	7001
<b>YE 50 Zest</b>		50	1	1992-		0.7	BR7HS	4737		BR7HIX	7067
<b>YH 50 Why</b>	SA03	50	1	1998-		0.6	BR8HS	4915	Q212	BR8HIX	7001
<b>YM 50 Breeze</b>		50	1	1995-		0.7	BR8HS	4915	Q212	BR8HIX	7001
<b>YN 50 Neo's</b>		50	1	1997-		0.6	BR8HS	4915	Q212	BR8HIX	7001
<b>YN 50 Neo's</b>	SA40	50	1	2009-		0.8	CR7E	4578	Q225	CR7EIX	7385
<b>YN R Neo's</b>		50	1	-		0.7	BR7HS	4737		BR7HIX	7067
<b>YQ 50 Aerox</b>	5BR	50	1	1997-1998	4hp	0.7	BR8HS	4915	Q212	BR8HIX	7001
<b>YQ 50 Aerox</b>		50	1	2007-2009		0.6	BR8HS	4915	Q212	BR8HIX	7001
<b>YQ 50 L Aerox</b>		50	1	2002-2012		0.7	BR8HS	4915	Q212	BR8HIX	7001
<b>YQ 50 R Biaggi</b>		50	1	1997-		0.7	BR8HS	4915	Q212	BR8HIX	7001
<b>YQ 50 R Nitro</b>		50	1	1997-		0.7	BR8HS	4915	Q212	BR8HIX	7001

\*Bitte Elektrodenabstand nach Angaben des Herstellers justieren

\*Please adjust the ground electrode gap

\*Veuillez vérifier l'écartement

\* Por favor, ajustar la distancia entre los electrodos

\*Regolare il gap

\*\* Iridium IX Spark Plug is the standard recommendation





Stock No.

Quick No.

Upgrade ↑

Stock No. ↑

**YAMAHA**

<b>YW 50 ZUMA</b>		50	1	2008-		0.7	BPR7HS	6422		BPR7HIX	5944
<b>YZ 50</b>		50	1	-		0.8	B9ES	2611	Q202	BR9EIX	3981
<b>YZ 50 H</b>		50	1	-		0.6	B9ES	2611	Q202	BR9EIX	3981
<b>ZE 50 Zest</b>		50	1	-		0.6	BR7HS	4737		BR7HIX	7067
<b>YB 60</b>		60	1	-		0.7	B7HS	5110		BR7HIX	7067
<b>YF 60 S</b>		60	1	-		0.7	BP6HS	4511		BPR6HIX	4085
<b>YZ 60 H</b>		60	1	-		0.8	B8ES	2411	Q201	BR8EIX	5044
<b>CW 65</b>		65	1	1994-		0.7	BR7HS	4737		BR7HIX	7067
<b>CV 80</b>		80	1	-		0.7	BPR7HS	6422		BPR7HIX	5944
<b>Evolis</b>	4MU	80	1	-		0.7	BR7HS	4737		BR7HIX	7067
<b>PW 80 E</b>	4BC	80	1	1993-		0.7	BP6HS	4511		BPR6HIX	4085
<b>PW 80 F</b>	4BC	80	1	1993-		0.7	BP6HS	4511		BPR6HIX	4085
<b>PW 80 K</b>	4BC	80	1	-		0.6	BP6HS	4511		BPR6HIX	4085
<b>T 80</b>		80	1	-		0.7	CR7HS	7223		CR7HIX	7544
<b>YB 80</b>		80	1	-		0.7	B7HS	5110		BR7HIX	7067
<b>YE 80</b>	4MU	80	1	1994-		0.7	BR7HS	4737		BR7HIX	7067
<b>YE 80 Zest</b>	4MU	80	1	1994-1997		0.7	BR7HS	4737		BR7HIX	7067
<b>YFM 80 Badger</b>		80	1	-		0.7	CR7HSA	4549		CR7HIX	7544
<b>YZ 80</b>	4GT	80	1	1995-		0.7	B10EG	3630			
<b>YZ 80 E</b>	4LB	80	1	1993-		0.6	B10EG	3630			
<b>YZ 80 F</b>	4LB	80	1	1993-		0.6	B10EG	3630			
<b>YZ 80 G</b>		80	1	1994-1996		0.6	B10EG	3630			
<b>YZ 80 H</b>		80	1	1994-1996		0.6	B10EG	3630			
<b>YZ 80 H.R.</b>		80	1	-		0.7	B7HS	5110		BR7HIX	7067
<b>YZ 80 H1</b>		80	1	1994-1996		0.6	B10EG	3630			
<b>YZ 80 L.R.</b>		80	1	-		0.8	B8ES	2411	Q201	BR8EIX	5044
<b>YZ 80 LC</b>		80	1	1999-		0.6	BR10EG	3830			
<b>YZ 80 LW</b>	4LB	80	1	1993-		0.6	B10EG	3630			
<b>YZ 80 LWF</b>	4LB	80	1	1993-		0.6	B10EG	3630			
<b>YZ 80 LWG</b>		80	1	1994-1996		0.6	B10EG	3630			
<b>YZ 80 LWH</b>		80	1	1994-1996		0.6	B10EG	3630			
<b>Y 85 Z</b>		85	1	2001-		0.6	BR10EG	3830			
<b>YZ 85</b>		85	1	2008-		0.6	BR10EG	3830			
<b>YZ 85 W1</b>		85	1	2007-		0.6	BR10EG	3830			
<b>YZ 85 X</b>		85	1	2007-		0.6	BR10EG	3830			
<b>T 90 D</b>	4NME00	90	1	2007-2007		0.7	CR6HSA	2983		CR6HIX	7274
<b>T 90 N</b>	4NME00	90	1	2007-2007		0.7	CR6HSA	2983		CR6HIX	7274
<b>TT-R 90</b>		90	1	2000-2007		0.7	CR6HSA	2983		CR6HIX	7274
<b>TT-R 90 E</b>		90	1	2003-2008		0.7	CR6HSA	2983		CR6HIX	7274
<b>YA 90 E</b>		90	1	1993-		0.7	BR7HS	4737		BR7HIX	7067
<b>YA 90 F</b>		90	1	1993-		0.7	BR7HS	4737		BR7HIX	7067
<b>Aerox 100</b>		100	1	2001-		0.6	BR8HS	4915	Q212	BR8HIX	7001
<b>AG 100</b>		100	1	-		0.7	B7HS	5110		BR7HIX	7067
<b>AG 100 E</b>		100	1	-		0.8	B7ES	1111		BR7EIX	6664
<b>AG 100 F</b>	3HA...	100	1	2007-2009		0.8	B7ES	1111		BR7EIX	6664
<b>AG 100 H</b>		100	1	-		0.8	B7ES	1111		BR7EIX	6664
<b>BW 100</b>	SB02	100	1	1999-2000		0.6	BR8HS	4915	Q212	BR8HIX	7001
<b>BW 100</b>	SB02	100	1	2000-		0.7	BR7HS	4737		BR7HIX	7067
<b>BWS 100</b>		100	1	2000-		1.0	BPR7HS-10	1092			
<b>RT 100 E</b>		100	1	1993-		0.8	B7ES	1111		BR7EIX	6664
<b>RT 100 F</b>		100	1	1993-		0.8	B7ES	1111		BR7EIX	6664
<b>RT 100 G</b>		100	1	-		0.7	B7ES	1111		BR7EIX	6664

\*Bitte Elektrodenabstand nach Angaben des Herstellers justieren

\*Please adjust the ground electrode gap

\*Veuillez vérifier l'écartement

\* Por favor, ajustar la distancia entre los electrodos

\*Regolare il gap

\* Iridium IX Spark Plug is the standard recommendation







Stock No.

Quick No.

Upgrade ↑

Stock No. ↑

**YAMAHA**

<b>RT 100 H</b>		100	1	-		0.7	B7ES	1111		BR7EIX	6664
<b>RX 100</b>		100	1	-	14mm Thread Size / 19mm Thread Reach	0.8	B8ES	2411	Q201	BR8EIX	5044
<b>RX 100</b>		100	1	-	14mm Thread Size / 12,7mm Thread Reach	0.7	B8HS	5510		BR8HIX	7001
<b>RXS 100</b>		100	1	-		0.7	BR8HS	4915	Q212	BR8HIX	7001
<b>RX-ZD</b>		100	1	1993-		0.8	BP8ES	2912		BPR8EIX	6684
<b>V 100</b>		100	1	1993-		1.0	BP7HS-10	7829			
<b>V 100 E</b>		100	1	1993-		1.0	BP7HS-10	7829			
<b>V 100 S</b>		100	1	1993-		1.0	BP7HS-10	7829			
<b>V 100 SH</b>		100	1	1993-		1.0	BP7HS-10	7829			
<b>XC 100 E Cygnus L</b>		100	1	2012-		0.7	CR6HSA	2983		CR6HIX	7274
<b>YB 100</b>		100	1	1994-		0.7	BP6HS	4511		BPR6HIX	4085
<b>YN 100 Neo's</b>	SB04	100	1	2000-2003		0.6	BR8HS	4915	Q212	BR8HIX	7001
<b>YQ 100 Aerox</b>		100	1	2000-		1.0	BR8HS-10	1134			
<b>TT-R 110</b>		110	1	2013-		0.7	CR6HSA	2983		CR6HIX	7274
<b>TT-R 110 E</b>		110	1	2008-		0.7	CR6HSA	2983		CR6HIX	7274
<b>TT-R 110 EX</b>	5B6...	110	1	2008-2008		0.7	CR6HSA	2983		CR6HIX	7274
<b>TT-R 110 EY</b>	5B6...	110	1	2009-2009		0.7	CR6HSA	2983		CR6HIX	7274
<b>V 110 E</b>		110	1	1993-		1.0	BP7HS-10	7829			
<b>AF 115</b>		113	1	2007-2008		0.7	C7HSA	4629		CR7HIX	7544
<b>AF 115 C</b>		113	1	2007-2009		0.7	C7HSA	4629		CR7HIX	7544
<b>AF 115 S</b>		113	1	2007-2009		0.7	C7HSA	4629		CR7HIX	7544
<b>AL 115</b>		113	1	2007-2009		0.7	C7HSA	4629		CR7HIX	7544
<b>AL 115 C</b>		113	1	2007-2009	Italy	0.7	C7HSA	4629		CR7HIX	7544
<b>AL 115 F</b>		113	1	2007-2009		0.7	C7HSA	4629		CR7HIX	7544
<b>AL 115 S</b>		113	1	2007-2009		0.7	C7HSA	4629		CR7HIX	7544
<b>AT 115</b>		113	1	2007-2009		0.8	CR7HSA	4549		CR7HIX	7544
<b>AT 115 C</b>		113	1	2007-2009		0.8	CR7HSA	4549		CR7HIX	7544
<b>RX 115</b>		115	1	1993-		0.7	BP8HS	2630		BPR8HIX	6742
<b>V 120 JR</b>		120	1	1994-		0.8	BP8ES	2912		BPR8EIX	6684
<b>V 120 ZR</b>		120	1	1994-		0.8	BP8ES	2912		BPR8EIX	6684
<b>BWS 125</b>		125	1	2009-		0.6	CR7HSA	4549		CR7HIX	7544
<b>BWS 125</b>		125	1	2010-		0.6	CR7E	4578	Q225	CR7EIX	7385
<b>Doodo 125</b>	SE041	125	1	2001-		0.7	CR8E	4854	Q226	CR8EIX	4218
<b>DT 125</b>		125	1	1994-		0.8	B8ES	2411	Q201	BR8EIX	5044
<b>DT 125</b>	3TT...	125	1	2007-2009		0.8	B8ES	2411	Q201	BR8EIX	5044
<b>DT 125 F</b>		125	1	-		0.8	B8ES	2411	Q201	BR8EIX	5044
<b>DT 125 H</b>		125	1	-		0.8	B8ES	2411	Q201	BR8EIX	5044
<b>DT 125 MX</b>		125	1	-		0.8	B8ES	2411	Q201	BR8EIX	5044
<b>DT 125 R</b>		125	1	2001-2004	CH, A only	0.8	BR8ES	5422	Q207	BR8EIX	5044
<b>DT 125 R</b>		125	1	2001-2004		0.8	BR9ES	5722		BR9EIX	3981
<b>DT 125 RE</b>		125	1	2004-		0.8	BR8ES	5422	Q207	BR8EIX	5044
<b>DT 125 Tenere</b>		125	1	-		0.8	B9ES	2611	Q202	BR9EIX	3981
<b>DT 125 X</b>		125	1	2005-		0.5	BR8ES	5422	Q207	BR8EIX	5044
<b>FZ 150</b>		125	1	2008-2008		0.7	CR8E	4854	Q226	CR8EIX	4218
<b>HW 125 Xenter</b>		125	1	2012-		0.9	CPR9EA-9	2308		CPR9EAIX-9	97673
<b>HW 125 Xenter</b>		125	1	2012-	13hp	0.9	CPR9EAX9**	97673			
<b>Majesty 125</b>		125	1	-		0.6	DR8EA	7162		DR8EIX	6681
<b>MT-125</b>		125	1	2014-	15hp	0.7	CR9E	6263	Q227	CR9EIX	3521
<b>R 125 SE</b>		125	1	-		0.7	BP7HS	5111		BPR7HIX	5944
<b>RX 125</b>		125	1	-	14mm Thread Size / 19mm Thread Reach	0.8	B8ES	2411	Q201	BR8EIX	5044

\*Bitte Elektrodenabstand nach Angaben des Herstellers justieren

\*Please adjust the ground electrode gap

\*Veuillez vérifier l'écartement

\* Por favor, ajustar la distancia entre los electrodos

\*Regolare il gap

\*\* Iridium IX Spark Plug is the standard recommendation





Stock No.

Quick No.

Upgrade ↑

Stock No. ↑

**YAMAHA**

<b>RX 125</b>		125	1	-	14mm Thread Size / 12,7mm Thread Reach	0.7	B8HS	5510		BR8HIX	7001
<b>RX 125 H</b>		125	1	-		0.7	B7HS	5110		BR7HIX	7067
<b>SR 125</b>		125	1	-		0.7	D8EA	2120	Q216	DR8EIX	6681
<b>SR 125</b>		125	1	1996-		0.7	DR8EA	7162		DR8EIX	6681
<b>SR 125 SE</b>		125	1	-1995		0.7	D8EA	2120	Q216	DR8EIX	6681
<b>SR 125 Z</b>		125	1	1993-		0.7	DR8EA	7162		DR8EIX	6681
<b>T 125 H</b>		125	1	-		0.6	B9EG	3530			
<b>T 125 J</b>		125	1	-		0.6	B9EG	3530			
<b>TA 125 A</b>		125	1	-		0.6	B10EG	3630			
<b>TDR 125</b>	4GW	125	1	1992-1996		0.9	BR9ES	5722		BR9EIX	3981
<b>TDR 125</b>	5AN	125	1	1997-		0.8	BR8ES	5422	Q207	BR8EIX	5044
<b>TT-R 125</b>	1B2...	125	1	2007-2009		0.8	CR7HSA	4549		CR7HIX	7544
<b>TT-R 125 E</b>		125	1	2007-2009		0.8	CR7HSA	4549		CR7HIX	7544
<b>TT-R 125 EX</b>		125	1	2008-		0.7	CR7HSA	4549		CR7HIX	7544
<b>TT-R 125 LEX</b>		125	1	2008-		0.7	CR7HSA	4549		CR7HIX	7544
<b>TT-R 125 LW</b>		125	1	2000-2014		0.8	CR7HSA	4549		CR7HIX	7544
<b>TT-R 125 LWE</b>		125	1	2003-2014		0.8	CR7HSA	4549		CR7HIX	7544
<b>TT-R 125 LX</b>		125	1	2008-		0.7	CR7HSA	4549		CR7HIX	7544
<b>TW 125</b>	5E/5R	125	1	1999-		0.6	DR8EA	7162		DR8EIX	6681
<b>TZ 125</b>		125	1	1994-		0.6	R7376-10	4457			
<b>TZ 125</b>	4JT	125	1	1995-		0.6	R7376-10	4457			
<b>TZ 125 F</b>		125	1	1994-		0.6	R7376-10	4457			
<b>TZ 125 H</b>		125	1	-1995		0.6	R7376-10	4457			
<b>TZR 125</b>		125	1	-1992		0.8	BR9ES	5722		BR9EIX	3981
<b>TZR 125</b>		125	1	1993-		0.8	BR9ECM	3252		BR9ECMIX	2707
<b>V 125 Z</b>	5XK500	125	1	2007-2007		0.8	B8ES	2411	Q201	BR8EIX	5044
<b>V 125 ZR</b>	5XK600	125	1	2007-2007		0.8	B8ES	2411	Q201	BR8EIX	5044
<b>Vity 125</b>		125	1	2008-		0.6	CR7E	4578	Q225	CR7EIX	7385
<b>VP 125</b>	16P...	125	1	2008-2008		0.9	CPR9EA-9	2308		CPR9EAIX-9	97673
<b>VP 125 X-City</b>		125	1	2007-2007		0.9	CPR9EA-9	2308		CPR9EAIX-9	97673
<b>VP 125 X-City</b>		125	1	2007-2007	14hp	0.9	CPR9EAIX9**	97673			
<b>WR 125</b>		125	1	1997-		0.6	BR9EG	3230			
<b>WR 125 R</b>	22B	125	1	2009-		0.7	CR8E	4854	Q226	CR8EIX	4218
<b>WR 125 X</b>	22B	125	1	2009-		0.7	CR8E	4854	Q226	CR8EIX	4218
<b>XA 125</b>	4S5...	125	1	2008-2008		0.6	CR7E	4578	Q225	CR7EIX	7385
<b>XC 125 B</b>		125	1	-	Constr.Code /E / F / G / H / X / W / ZW	0.7	C6HSA	3228		CR6HIX	7274
<b>XC 125 S</b>		125	1	-		0.7	CR6HSA	2983		CR6HIX	7274
<b>XC 125 SC</b>		125	1	-		0.7	CR6HSA	2983		CR6HIX	7274
<b>XC 125 T Cygnus</b>	4NB	125	1	1995-1997	Constr.Code 4KY	0.6	CR7E	4578	Q225	CR7EIX	7385
<b>XC 125 T Cygnus</b>	4NB	125	1	1998-2000		0.6	CR7E	4578	Q225	CR7EIX	7385
<b>XC 125 TR Cygnus</b>	4NB	125	1	1996-1999		0.7	CR7E	4578	Q225	CR7EIX	7385
<b>XC 125 TR Cygnus</b>	4NB	125	1	2000-		0.7	CR7E	4578	Q225	CR7EIX	7385
<b>XC 125 X Cygnus X</b>	SE081	125	1	2004-		0.7	CR7E	4578	Q225	CR7EIX	7385
<b>XC 125 ZS</b>		125	1	-		0.7	CR6HSA	2983		CR6HIX	7274
<b>XC 125 ZSC</b>		125	1	-		0.7	CR6HSA	2983		CR6HIX	7274
<b>XN 125 Teo's</b>		125	1	2000-		0.6	CR8E	4854	Q226	CR8EIX	4218
<b>XQ 125 Maxster</b>		125	1	2001-		0.6	CR8E	4854	Q226	CR8EIX	4218
<b>XQ 125 Thunder</b>		125	1	2001-		0.6	CR8E	4854	Q226	CR8EIX	4218
<b>XT 125</b>		125	1	-		0.7	D8EA	2120	Q216	DR8EIX	6681
<b>XT 125 E</b>		125	1	1993-		0.7	DR8EA	7162		DR8EIX	6681
<b>XT 125 EC</b>		125	1	1993-		0.7	DR8EA	7162		DR8EIX	6681

\*Bitte Elektrodenabstand nach Angaben des Herstellers justieren

\*Please adjust the ground electrode gap

\*Veuillez vérifier l'écartement

\* Por favor, ajustar la distancia entre los electrodos

\*Regolare il gap

\* Iridium IX Spark Plug is the standard recommendation





Stock No.

Quick No.

Upgrade ↑

Stock No. ↑

**YAMAHA**

<b>XT 125 F</b>		125	1	1993-		0.7	DR8EA	7162		DR8EIX	6681
<b>XT 125 FC</b>		125	1	1993-		0.7	DR8EA	7162		DR8EIX	6681
<b>XT 125 J</b>		125	1	-		0.7	D8EA	2120	Q216	DR8EIX	6681
<b>XT 125 K</b>		125	1	-		0.7	D8EA	2120	Q216	DR8EIX	6681
<b>XT 125 KC</b>		125	1	-		0.7	D8EA	2120	Q216	DR8EIX	6681
<b>XT 125 L</b>		125	1	-		0.7	D8EA	2120	Q216	DR8EIX	6681
<b>XT 125 R</b>	3D61	125	1	2005-		0.8	CR7HSA	4549		CR7HIX	7544
<b>XT 125 X</b>	3D62	125	1	2005-		0.8	CR7HSA	4549		CR7HIX	7544
<b>XTZ 125 K</b>		125	1	2007-2009		0.8	CR7HSA	4549		CR7HIX	7544
<b>XTZ 125 XE</b>	22D	125	1	2008-2009		0.8	CR7HSA	4549		CR7HIX	7544
<b>XTZ 125 XK</b>	22D	125	1	2008-2009		0.8	CR7HSA	4549		CR7HIX	7544
<b>XV 125</b>	5AJ	125	1	1997-		0.6	CR6HSA	2983		CR6HIX	7274
<b>XV 125 S Virago</b>	5AJ	125	1	1999-		0.6	CR6HSA	2983		CR6HIX	7274
<b>XVS 125</b>	VP05	125	1	2000-		0.6	CR7HSA	4549		CR7HIX	7544
<b>XVS 125 DragStar</b>		125	1	2000-	Italy	0.7	CR7HSA	4549		CR7HIX	7544
<b>XV Virago</b>		125	1	1997-		0.7	CR6HSA	2983		CR6HIX	7274
<b>Y 125 E</b>		125	1	-		0.5	BR9EG	3230			
<b>Y 125 F</b>		125	1	-		0.5	BR9EG	3230			
<b>YB 125</b>		125	1	-		0.7	B7HS	5110		BR7HIX	7067
<b>YBR 125</b>		125	1	2005-		0.7	CR6HSA	2983		CR6HIX	7274
<b>YBR 125 Custom</b>		125	1	2008-		0.7	CR6HSA	2983		CR6HIX	7274
<b>YBR 125i</b>		125	1	2007-		0.7	CR6HSA	2983		CR6HIX	7274
<b>YFA1 125 Breeze</b>		125	1	2000-2004		0.7	CR7HSA	4549		CR7HIX	7544
<b>YJ 125 V Vino</b>		125	1	2006-		0.7	CR7E	4578	Q225	CR7EIX	7385
<b>YP 125 RA X-MAX</b>	SE544	125	1	2011-	14hp	0.9	CPR9EAX9**	97673			
<b>YP 125 RA X-MAX</b>	SE544	125	1	2011-		0.9	CPR9EA-9	2308		CPR9EAIX-9	97673
<b>YP 125 R Black X-max</b>	SE321	125	1	2008-		0.9	CPR9EA-9	2308		CPR9EAIX-9	97673
<b>YP 125 R Majesty</b>		125	1	1998-2009		0.7	CR8E	4854	Q226	CR8EIX	4218
<b>YP 125 R X-MAX</b>	SE321	125	1	2006-		0.9	CPR9EA-9	2308		CPR9EAIX-9	97673
<b>YP 125 R X-MAX</b>	SE321	125	1	2006-2016	14hp	0.9	CPR9EAX9**	97673			
<b>YS 125</b>		125	1	2013-		*	BR9EIX**	3981			
<b>YZ 125</b>	1SR6	125	1	2013-		*	BR9EIX**	3981			
<b>YZ 125 A</b>		125	1	-	Constr.Code / U / W / N / S	0.6	BR9EG	3230			
<b>YZ 125 B</b>		125	1	-	Constr.Code / C / G / G1 / H / X	0.6	B9EG	3530			
<b>YZ 125 E</b>		125	1	-		0.6	BR9EG	3230			
<b>YZ 125 E1</b>		125	1	-		0.6	BR9EG	3230			
<b>YZ 125 F</b>		125	1	-		0.6	BR9EG	3230			
<b>YZ 125 LC</b>		125	1	-		0.6	BR9EG	3230			
<b>YZ 125 S1</b>	5XE2	125	1	2004-		0.6	BR9EG	3230			
<b>YZ 125 T1</b>	5XE2	125	1	2004-		0.6	BR9EG	3230			
<b>YZ 125 W1</b>	1C3A	125	1	2007-		0.6	BR9EIX**	3981			
<b>YZ 125 X1</b>	1C3E	125	1	2008-		0.7	BR9EIX**	3981			
<b>YZF-R 125</b>	RE061	125	1	2008-2013	15hp	0.7	CR8E	4854	Q226	CR8EIX	4218
<b>YZF-R 125</b>		125	1	2014-	15hp	0.7	CR9E	6263	Q227	CR9EIX	3521
<b>AT 135</b>	5P...	132	1	2008-2009		0.6	CR7E	4578	Q225	CR7EIX	7385
<b>AT 135 Cast</b>	5P0300	132	1	2008-2008		0.6	CR7E	4578	Q225	CR7EIX	7385
<b>AT 135 Spoke</b>	5P0300	132	1	2008-2008		0.6	CR7E	4578	Q225	CR7EIX	7385
<b>RX-K</b>	3KA...	132	1	2007-2008		1.0	BPR8HS-10	4839			
<b>RX-Z</b>	5PV300	132	1	2007-2007		0.8	BR9ES	5722		BR9EIX	3981
<b>JT 135</b>		135	1	2007-2008		0.9	CPR8EA-9	2306		CPR8EAIX-9	96067
<b>T 135 HC</b>		135	1	2007-2009		0.9	CPR8EA-9	2306		CPR8EAIX-9	96067

\*Bitte Elektrodenabstand nach Angaben des Herstellers justieren

\*Please adjust the ground electrode gap

\*Veuillez vérifier l'écartement

\* Por favor, ajustar la distancia entre los electrodos

\*Regolare il gap

\*\* Iridium IX Spark Plug is the standard recommendation





Stock No.

Quick No.

Upgrade ↑

Stock No. ↑

**YAMAHA**

<b>T 135 S</b>		135	1	2007-2009		0.9	CPR8EA-9	2306		CPR8EAIX-9	96067
<b>T 135 SE</b>		135	1	2007-2009		0.9	CPR8EA-9	2306		CPR8EAIX-9	96067
<b>T 135 SEC</b>		135	1	2007-2009		0.9	CPR8EA-9	2306		CPR8EAIX-9	96067
<b>FZ 150</b>		150	1	1994-		0.7	C7HSA	4629		CR7HIX	7544
<b>FZR 150</b>		150	1	1994-		0.7	C7HSA	4629		CR7HIX	7544
<b>HW 150 Xenter</b>		150	1	2012-		0.9	CPR9EA-9	2308		CPR9EAIX-9	97673
<b>HW 150 Xenter</b>		150	1	2012-	16hp	0.9	CPR9EAIX9**	97673			
<b>RX 150</b>		150	1	1993-		0.8	BP8ES	2912		BPR8EIX	6684
<b>SR 150</b>		150	1	1993-		0.7	D8EA	2120	Q216	DR8EIX	6681
<b>SRZ 150</b>	4GU...	150	1	2007-2007		0.7	DR8EA	7162		DR8EIX	6681
<b>XC 150 Fly one</b>		150	1	1995-		0.7	CR7E	4578	Q225	CR7EIX	7385
<b>AC 150 B</b>	21C...	153	1	2009-2009		0.9	CPR8EA-9	2306		CPR8EAIX-9	96067
<b>AG 175</b>		175	1	-		0.8	B8ES	2411	Q201	BR8EIX	5044
<b>AG 175 H</b>		175	1	-		0.8	B7ES	1111		BR7EIX	6664
<b>DT 175</b>	3TS...	175	1	2007-2009		0.8	B8ES	2411	Q201	BR8EIX	5044
<b>RT 180 E</b>		180	1	1993-		0.8	B8ES	2411	Q201	BR8EIX	5044
<b>SH 185 H</b>		185	1	-		0.7	D7EA	7912		DR7EIX	5686
<b>AG 200 E</b>		200	1	1993-		0.7	D8EA	2120	Q216	DR8EIX	6681
<b>AG 200 F</b>		200	1	2007-2009		0.7	D8EA	2120	Q216	DR8EIX	6681
<b>AG 200 FE</b>		200	1	2007-2009		0.7	D8EA	2120	Q216	DR8EIX	6681
<b>DT 200 LC</b>		200	1	1993-		0.8	BR9ES	5722		BR9EIX	3981
<b>DT 200 RE</b>		200	1	1993-		0.8	BR9ES	5722		BR9EIX	3981
<b>DT 200 RF</b>		200	1	1993-		0.8	BR9ES	5722		BR9EIX	3981
<b>NR 200</b>		200	1	-		0.8	B7ES	1111		BR7EIX	6664
<b>TW 200 E</b>	10D...	200	1	2007-2009		0.7	DR8EA	7162		DR8EIX	6681
<b>TW 200 FC</b>		200	1	1994-		0.7	D8EA	2120	Q216	DR8EIX	6681
<b>TW 200 W1</b>	10D300	200	1	2007-		0.7	DR8EA	7162		DR8EIX	6681
<b>TW 200 W1</b>	10D100	200	1	2007-		0.7	DR8EA	7162		DR8EIX	6681
<b>TW 200 W1C</b>	10D200	200	1	2007-		0.7	DR8EA	7162		DR8EIX	6681
<b>TW 200 X</b>		200	1	2008-		0.7	DR8EA	7162		DR8EIX	6681
<b>WR 200 B</b>		200	1	-		0.6	BR9ES	5722		BR9EIX	3981
<b>WR 200 R</b>		200	1	1993-		0.8	BR9ES	5722		BR9EIX	3981
<b>WR 200 RE</b>		200	1	1993-		0.8	BR9ES	5722		BR9EIX	3981
<b>WR 200 RF</b>		200	1	1993-		0.8	BR9ES	5722		BR9EIX	3981
<b>WR 200 RG</b>		200	1	-		0.6	BR9ES	5722		BR9EIX	3981
<b>WR 200 RH</b>		200	1	-		0.6	BR9ES	5722		BR9EIX	3981
<b>SX-4 Scorpio</b>	5BP...	223	1	2008-2009		0.9	DP8EA-9	5829		DPR8EIX-9	2202
<b>TT-R 230</b>		223	1	2007-2009		0.7	DR8EA	7162		DR8EIX	6681
<b>TW 225 E</b>	5VC...	223	1	2007-2007		0.7	DR8EA	7162		DR8EIX	6681
<b>XT 225</b>		225	1	2007-2007		0.7	DR8EA	7162		DR8EIX	6681
<b>XT 225 E</b>		225	1	1993-		0.7	DR8EA	7162		DR8EIX	6681
<b>XT 225 EC</b>		225	1	1993-		0.7	DR8EA	7162		DR8EIX	6681
<b>XT 225 F</b>		225	1	1993-		0.7	DR8EA	7162		DR8EIX	6681
<b>XT 225 FC</b>		225	1	1993-		0.7	DR8EA	7162		DR8EIX	6681
<b>TDR 240</b>		240	1	-		0.8	BR9ES	5722		BR9EIX	3981
<b>XV 240</b>		240	1	-		0.7	CR6HS	7023	Q223	CR6HIX	7274
<b>CP 250</b>	1B7...	250	1	2007-2008		0.9	CPR7EA-9	3901		CPR7EAIX-9	9198
<b>CP 250 W Morphous</b>		250	1	2007-		0.9	CPR7EA-9	3901		CPR7EAIX-9	9198
<b>DT 250 H</b>		250	1	-		0.8	B8ES	2411	Q201	BR8EIX	5044
<b>R1-Z 250</b>		250	1	1993-		0.8	BR9ES	5722		BR9EIX	3981
<b>SE 250</b>		250	1	-		0.8	BPR7ES	2023		BPR7EIX	4055
<b>SR 250</b>		250	1	-		0.8	BPR7ES	2023		BPR7EIX	4055

\*Bitte Elektrodenabstand nach Angaben des Herstellers justieren

\*Please adjust the ground electrode gap

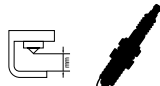
\*Veuillez vérifier l'écartement

\* Por favor, ajustar la distancia entre los electrodos

\*Regolare il gap

\* Iridium IX Spark Plug is the standard recommendation





Stock No.

Quick No.

Upgrade ↑

Stock No. ↑

**YAMAHA**

SR 250		250	1	2007-2009		0.8	BPR7ES	2023		BPR7EIX	4055
SR 250 F		250	1	-		0.8	BPR7ES	2023		BPR7EIX	4055
SR 250 H		250	1	-		0.8	BPR7ES	2023		BPR7EIX	4055
SR 250 TH		250	1	-		0.8	BPR7ES	2023		BPR7EIX	4055
TT 250 R		250	1	1994-		0.7	CR9E	6263	Q227	CR9EIX	3521
TT 250 R	4PX...	250	1	2007-2009		0.7	CR9E	6263	Q227	CR9EIX	3521
TT 250 RF		250	1	1994-		0.7	CR9E	6263	Q227	CR9EIX	3521
TTR 250		250	1	1994-1999		0.8	CR9E	6263	Q227	CR9EIX	3521
TTR 250 R		250	1	2000-		0.8	CR9E	6263	Q227	CR9EIX	3521
TZ 250		250	2	1994-		0.6	R7282-105	4985			
TZ 250	4DP	250	2	1995-		0.6	R7282-105	4985			
TZ 250 E		250	2	1993-		0.6	R7282-105	4985			
TZ 250 E1		250	2	1993-		0.6	R7282-105	4985			
TZ 250 F		250	2	1994-		0.6	R7282-105	4985			
TZR 250 R		250	2	-		0.8	BR9ECM	3252		BR9ECMIX	2707
TZR 250 RS		250	2	-		0.8	BR9ECM	3252		BR9ECMIX	2707
TZR 250 RSP		250	2	-		0.8	BR9ECM	3252		BR9ECMIX	2707
TZR 250 T		250	2	-		0.8	BR9ES	5722		BR9EIX	3981
VP 250 X-City		250	1	2007-		0.9	DPR8EA-9	4929	Q221	DPR8EIX-9	2202
V Star 250		250	2	2012-		0.7	G6HSA	3228		CR6HIX	7274
WR 250		250	1	2013-		0.8	CR9EK	5600	Q230		
WR 250 F		250	1	2001-		0.7	CR8E	4854	Q226	CR8EIX	4218
WR 250 F		250	1	2003-		0.7	CR8E	4854	Q226	CR8EIX	4218
WR 250 F		250	1	2007-2014		0.7	CR9E	6263	Q227	CR9EIX	3521
WR 250 F		250	1	2015-		0.7	LMAR8G	95627			
WR 250 FX		250	1	2008-		0.7	CR8E	4854	Q226	CR8EIX	4218
WR 250 R		250	1	2008-		0.8	CR9EK	5600	Q230		
WR 250 RY	32C...	250	1	2009-2009		0.8	CR9EK	5600	Q230		
WR 250 RYC	32C900	250	1	2009-2009		0.8	CR9EK	5600	Q230		
WR 250 X		250	1	2008-2014		0.8	CR9EK	5600	Q230		
WR 250 XY	32CC00	250	1	2009-2009		0.8	CR9EK	5600	Q230		
WR 250 XYC	32CA00	250	1	2009-2009	Italy	0.8	CR9EK	5600	Q230		
WR 250 Z	4JW	250	1	1993-		0.6	B8EG	3430			
WR 250 ZB		250	1	-		0.6	B8EG	3430			
WR 250 ZE	4JW	250	1	1993-		0.6	B8EG	3430			
WR 250 ZF	4JW	250	1	1993-		0.6	B8EG	3430			
WR 250 ZG		250	1	-		0.6	B8EG	3430			
WR 250 ZH		250	1	-		0.6	BR8EG	3130			
XG 250	5XT	250	1	2007-2008		0.6	DR7EA	7839		DR7EIX	5686
XG 250 Tricker		250	1	2005-		0.7	DR7EA	7839		DR7EIX	5686
X-max 250		250	1	2005-2006		0.7	DR8EA	7162		DR8EIX	6681
X-max 250		250	1	2007-		0.9	DPR8EA-9	4929	Q221	DPR8EIX-9	2202
XS 250 C		250	1	-		0.8	BPR7ES	2023		BPR7EIX	4055
XS 250 H		250	1	-	Italy	0.8	BPR7ES	2023		BPR7EIX	4055
XS 250 PK		250	2	-		0.7	D8EA	2120	Q216	DR8EIX	6681
XS 250 R		250	2	-		0.7	D8EA	2120	Q216	DR8EIX	6681
XS 250 SE		250	1	-		0.8	BPR7ES	2023		BPR7EIX	4055
XS 250 SH		250	1	-		0.8	BPR7ES	2023		BPR7EIX	4055
XS 250 SK		250	2	-		0.7	D8EA	2120	Q216	DR8EIX	6681
XT 250	3C5	250	1	2007-2009		0.6	DR7EA	7839		DR7EIX	5686
XT 250 X	5C1	250	1	2007-2008		0.6	DR7EA	7839		DR7EIX	5686
XTZ 250		250	1	2007-2009		0.7	DR8EA	7162		DR8EIX	6681

\*Bitte Elektrodenabstand nach Angaben des Herstellers justieren

\*Please adjust the ground electrode gap

\*Veuillez vérifier l'écartement

\* Por favor, ajustar la distancia entre los electrodos

\*Regolare il gap

\*\* Iridium IX Spark Plug is the standard recommendation





Stock No.

Quick No.

Upgrade ↑

Stock No. ↑

**YAMAHA**

<b>XTZ 250 X</b>		250	1	2008-2009		0.7	DR8EA	7162		DR8EIX	6681
<b>XV 250</b>		250	2	1994-		0.7	CR6HSA	2983		CR6HIX	7274
<b>XV 250 F</b>		250	2	1994-		0.7	C6HSA	3228		CR6HIX	7274
<b>XV 250 S</b>	3LW	250	2	1995-		0.8	CR6HS	7023	Q223	CR6HIX	7274
<b>XV 250 Virago</b>		250	2	2008-		0.7	C6HSA	3228		CR6HIX	7274
<b>XV 250 W</b>		250	2	-		0.7	CR6HSA	2983		CR6HIX	7274
<b>XV 250 WC</b>		250	2	-		0.7	CR6HSA	2983		CR6HIX	7274
<b>XVS 250</b>	VG031	250	2	2001-		0.7	CR6HS	7023	Q223	CR6HIX	7274
<b>XVS 250</b>		250	2	2008-2008		0.7	CR6HSA	2983		CR6HIX	7274
<b>XVS 250 Drag Star</b>		250	2	2001-		0.7	CR6HSA	2983		CR6HIX	7274
<b>XVS 250 X</b>	5KR	250	2	2008-2008		0.7	CR6HSA	2983		CR6HIX	7274
<b>YBR 250</b>	5D	250	1	2007-2013		0.7	DR8EA	7162		DR8EIX	6681
<b>YBR 250 P</b>	12B200	250	1	2008-2008		0.7	DR8EA	7162		DR8EIX	6681
<b>YP 250</b>	SG041	250	1	2000-		0.6	DR8EA	7162		DR8EIX	6681
<b>YP 250 A Majesty</b>		250	1	2000-		0.7	DR8EA	7162		DR8EIX	6681
<b>YP 250 Black X-max</b>		250	1	2009-2009		0.9	DPR8EA-9	4929	Q221	DPR8EIX-9	2202
<b>YP 250 Black X-Max</b>		250	1	2010-		0.6	DR8EA	7162		DR8EIX	6681
<b>YP 250 DX Majesty</b>	SG021	250	1	1999-		0.6	DR8EA	7162		DR8EIX	6681
<b>YP 250 Grand Majesty</b>		250	1	2004-		0.9	CPR7EA-9	3901		CPR7EAIX-9	9198
<b>YP 250 Majesty</b>		250	1	-		0.6	DR8EA	7162		DR8EIX	6681
<b>YP 250 R Black X-max</b>		250	1	2009-		0.9	DPR8EA-9	4929	Q221	DPR8EIX-9	2202
<b>YP 250 R X-MAX</b>		250	1	2005-2009		0.7	DR8EA	7162		DR8EIX	6681
<b>YP 250 R X-MAX</b>		250	1	2010-		0.7	CR7E	4578	Q225	CR7EIX	7385
<b>YZ 250</b>		250	1	1992-1994		0.6	B8EG	3430			
<b>YZ 250</b>	4MX	250	1	1995-		0.7	B8EG	3430			
<b>YZ 250</b>		250	1	2013-		0.6	BR8EG	3130			
<b>YZ 250</b>		250	1	2013-		0.7	CR8E	4854	Q226	CR8EIX	4218
<b>YZ 250 F</b>		250	1	1994-		0.6	B8EG	3430			
<b>YZ 250 F</b>	CG...	250	1	2001-		0.7	CR8E	4854	Q226	CR8EIX	4218
<b>YZ 250 FE</b>		250	1	2014-		0.8	LMAR8G	95627			
<b>YZF-R25</b>		250	1	2015-		0.7	CR9E	6263	Q227	CR9EIX	3521
<b>CZD 300 X-MAX</b>		300	1	2017-		0.9	LMAR8A-9	4313			
<b>VP 300 Versity</b>		300	2	2003-		0.6	DR8EA	7162		DR8EIX	6681
<b>MT-03</b>		320	2	2016-2017	42hp	0.8	CR8E	4854	Q226	CR8EIX	4218
<b>MT-03</b>		320	2	2018-	42hp	0.9	LMAR8A-9	4313			
<b>YZF-R3</b>		320	2	2015-	42hp	0.8	CR8E	4854	Q226	CR8EIX	4218
<b>TT 350 E</b>		350	1	1993-		0.7	D8EA	2120	Q216	DR8EIX	6681
<b>TT 350 F</b>		350	1	1993-		0.7	D8EA	2120	Q216	DR8EIX	6681
<b>XT 350 E</b>		350	1	1993-		0.7	D8EA	2120	Q216	DR8EIX	6681
<b>XT 350 F</b>		350	1	1993-		0.7	D8EA	2120	Q216	DR8EIX	6681
<b>DT 400 E</b>		400	1	-		0.8	B9ES	2611	Q202	BR9EIX	3981
<b>DT 400 H</b>		400	1	-		0.8	B8ES	2411	Q201	BR8EIX	5044
<b>SR 400</b>		400	1	-		0.8	BPR7ES	2023		BPR7EIX	4055
<b>WR 400 F</b>		400	1	1998-		0.7	CR8E	4854	Q226	CR8EIX	4218
<b>XJR 400 R</b>	4HM	400	2	-		0.7	CR9E	6263	Q227	CR9EIX	3521
<b>XV 400 SE</b>		400	2	-		0.8	BPR7ES	2023		BPR7EIX	4055
<b>XVS 400</b>	5KP	400	2	2007-2008		0.9	DPR7EA-9	5129	Q220	DPR7EIX-9	7803
<b>XVS 400 C</b>	5KP	400	2	2007-2008		0.9	DPR7EA-9	5129	Q220	DPR7EIX-9	7803
<b>YP 400 Majesty</b>		400	1	2004-2013		0.6	CR7E	4578	Q225	CR7EIX	7385
<b>YP W Majesty</b>		400	1	2007-		0.7	CR7E	4578	Q225	CR7EIX	7385
<b>YZ 400 F</b>		400	1	1997-		0.7	CR8E	4854	Q226	CR8EIX	4218
<b>WR 426 F</b>	CJ02W	426	1	2000-		0.7	CR8E	4854	Q226	CR8EIX	4218

\*Bitte Elektrodenabstand nach Angaben des Herstellers justieren

\*Please adjust the ground electrode gap

\*Veuillez vérifier l'écartement

\* Por favor, ajustar la distancia entre los electrodos

\*Regolare il gap

\* Iridium IX Spark Plug is the standard recommendation





Stock No.

Quick No.

Upgrade ↑

Stock No. ↑

**YAMAHA**

<b>YZ 426 F</b>		426	1	1999-		0.7	CR8E	4854	Q226	CR8EIX	4218
<b>YZF 426 F</b>		426	4	2001-		0.6	CR8E	4854	Q226	CR8EIX	4218
<b>WR 450 F</b>	5TJ6..	450	1	2003-		0.7	CR8E	4854	Q226	CR8EIX	4218
<b>WR 450 F</b>	5TJ...	450	1	2007-2009		0.7	CR8E	4854	Q226	CR8EIX	4218
<b>WR 450 F</b>		450	1	2013-	Italy	0.7	CR8E	4854	Q226	CR8EIX	4218
<b>WR 450 FX</b>		450	1	2008-		0.7	CR8E	4854	Q226	CR8EIX	4218
<b>YZ 450</b>		450	1	2013-		0.7	CR8E	4854	Q226	CR8EIX	4218
<b>YZ 450 F</b>		450	1	2003-2017		0.7	CR8E	4854	Q226	CR8EIX	4218
<b>YZ 450 F</b>		450	1	2018-		0.9	CPR8EA-9	2306		CPR8EAIX-9	96067
<b>YZ 450 FW</b>		450	1	2007-		0.8	CR8E	4854	Q226	CR8EIX	4218
<b>YZ 450 FX</b>		450	1	2007-		0.8	CR8E	4854	Q226	CR8EIX	4218
<b>YZF 450</b>		450	1	2004-		0.7	CR8E	4854	Q226	CR8EIX	4218
<b>YZF 450 F</b>		450	1	2009-		0.7	CR8E	4854	Q226	CR8EIX	4218
<b>IT 500</b>		500	1	-		0.7	BPR7ES	2023		BPR7EIX	4055
<b>MX 500</b>		500	1	-		*	BR8EIX**	5044			
<b>SR 500</b>	3EB	500	1	1995-		0.6	BPR7ES	2023		BPR7EIX	4055
<b>SR 500</b>	48T	500	1	1997-		0.8	BPR7ES	2023		BPR7EIX	4055
<b>SR 500 E</b>		500	1	-		0.8	BPR7ES	2023		BPR7EIX	4055
<b>SR 500 H</b>		500	1	-		0.8	BPR7ES	2023		BPR7EIX	4055
<b>T-Max 500</b>		500	2	2004-2010		0.7	CR7E	4578	Q225	CR7EIX	7385
<b>XJ 500</b>		500	4	-		0.7	D8EA	2120	Q216	DR8EIX	6681
<b>XP 500 T-Max</b>		500	2	2000-2011		0.6	CR7E	4578	Q225	CR7EIX	7385
<b>XP 530 T-Max</b>		500	2	2012-		0.6	CR7E	4578	Q225	CR7EIX	7385
<b>XT 500 E</b>		500	1	-1992		0.8	BPR7ES	2023		BPR7EIX	4055
<b>XT 500 E</b>		500	1	1993-		0.9	DPR8EA-9	4929	Q221	DPR8EIX-9	2202
<b>YP 500 T-Max</b>		500	2	-		0.6	CR7E	4578	Q225	CR7EIX	7385
<b>XV 535</b>		535	2	1995-1996		0.8	BPR7ES	2023		BPR7EIX	4055
<b>XV 535</b>		535	2	1997-1999		0.8	BPR6ES	7822		BPR6EIX	6637
<b>XV 535 DX H Virago</b>	VJ011	535	2	2000-2003		0.8	BPR6ES	7822		BPR6EIX	6637
<b>XV 535 DX N Virago</b>	VJ012	535	2	2000-2003		0.8	BPR6ES	7822		BPR6EIX	6637
<b>XV 535 SH</b>		535	2	1994-		0.8	BPR7ES	2023		BPR7EIX	4055
<b>XV 535 SN</b>		535	2	1994-		0.8	BPR7ES	2023		BPR7EIX	4055
<b>XV 535 SP</b>		535	2	1994-		0.8	BPR7ES	2023		BPR7EIX	4055
<b>YV 535 FC</b>		535	2	1994-		0.8	BPR7ES	2023		BPR7EIX	4055
<b>FZ6 600 Fazer</b>		600	4	2003-2006		0.8	CR9EK	5600	Q230		
<b>FZ6 600 Fazer</b>		600	4	2004-	Italy	0.7	CR9EK	5600	Q230		
<b>FZ6 600 Fazer</b>		600	4	2010-		0.7	CR9E	6263	Q227	CR9EIX	3521
<b>FZ6 600 Fazer S2</b>		600	4	2007-		0.8	CR9EK	5600	Q230		
<b>FZ6 600 N</b>	1B3D00	600	4	2004-2007	98hp	0.7	CR9EK	5600	Q230		
<b>FZ6 600 NA</b>	5S3100	600	4	2007-2007		0.7	CR9EK	5600	Q230		
<b>FZ6 600 NAHG</b>	5S4...	600	4	2007-2007		0.7	CR9EK	5600	Q230		
<b>FZ6 600 NAHG</b>		600	4	2008-2009		0.7	CR9EK	5600	Q230		
<b>FZ6 600 NHG</b>		600	4	2006-2009		0.7	CR9EK	5600	Q230		
<b>FZ6 600 NHGY</b>	5S5...	600	4	2009-2009		0.7	CR9EK	5600	Q230		
<b>FZ6 600 S</b>	5VXL00	600	4	2004-2008	98hp	0.7	CR9EK	5600	Q230		
<b>FZ6 600 SA</b>	4P5...	600	4	2006-2008	Italy 98hp	0.7	CR9EK	5600	Q230		
<b>FZ6 600 SAHG</b>	5S2...	600	4	2007-2009		0.7	CR9EK	5600	Q230		
<b>FZ6 600 SHG</b>		600	4	2007-2009		0.7	CR9EK	5600	Q230		
<b>FZ6 600 SHGW</b>	4S8500	600	4	2007-2007		0.7	CR9EK	5600	Q230		
<b>FZ6 600 SHGX</b>	4S8700	600	4	2008-2008		0.7	CR9EK	5600	Q230		
<b>FZ6 600 SHGY</b>	4S8C00	600	4	2009-2009		0.7	CR9EK	5600	Q230		
<b>FZR 600 F</b>		600	4	1994-		0.7	CR9E	6263	Q227	CR9EIX	3521

\* Bitte Elektrodenabstand nach Angaben des Herstellers justieren

\* Please adjust the ground electrode gap

\* Veuillez vérifier l'écartement

\* Por favor, ajustar la distancia entre los electrodos

\* Regolare il gap

\*\* Iridium IX Spark Plug is the standard recommendation





Stock No.

Quick No.

Upgrade ↑

Stock No. ↑

**YAMAHA**

<b>FZR 600 R</b>	4JH	600	4	1994-		0.7	CR9E	6263	Q227	CR9EIX	3521
<b>FZR 600 R</b>	4MH	600	4	1994-		0.7	CR9E	6263	Q227	CR9EIX	3521
<b>FZR 600 RF</b>		600	4	1994-		0.7	CR9E	6263	Q227	CR9EIX	3521
<b>FZR 600 RFC</b>		600	4	1994-		0.7	CR9E	6263	Q227	CR9EIX	3521
<b>FZS 600 Fazer</b>		600	4	2003-2004		0.7	CR9EK	5600	Q230		
<b>FZS 600 H Fazer</b>	RJ021	600	4	1998-2002		0.7	CR9E	6263	Q227	CR9EIX	3521
<b>FZS 600 N Fazer</b>	RJ022	600	4	1998-2002		0.7	CR8E	4854	Q226	CR8EIX	4218
<b>TT 600 E</b>	4LW	600	1	1993-1996		0.9	DPR8EA-9	4929	Q221	DPR8EIX-9	2202
<b>TT 600 E</b>		600	1	1996-1998		0.9	DPR8EA-9	4929	Q221	DPR8EIX-9	2202
<b>TT 600 R</b>		600	1	1996-1998		0.9	DPR8EA-9	4929	Q221	DPR8EIX-9	2202
<b>TT 600 R</b>	DJ011	600	1	1998-1999		0.9	DPR8EA-9	4929	Q221	DPR8EIX-9	2202
<b>TT 600 RE</b>	DJ012	600	1	2003-		0.9	DPR8EA-9	4929	Q221	DPR8EIX-9	2202
<b>TT 600 S</b>	4LW	600	1	1993-		0.9	DPR8EA-9	4929	Q221	DPR8EIX-9	2202
<b>XJ 600 N</b>		600	4	1992-2002		0.6	CR8E	4854	Q226	CR8EIX	4218
<b>XJ 600 S</b>		600	4	1992-2002		0.6	CR8E	4854	Q226	CR8EIX	4218
<b>XJ 6 N</b>	20S	600	4	2009-		0.7	CR9E	6263	Q227	CR9EIX	3521
<b>XJ 6 NA</b>	36B	600	4	2009-		0.7	CR9E	6263	Q227	CR9EIX	3521
<b>XJ 6 S</b>	36C	600	4	2009-		0.7	CR9E	6263	Q227	CR9EIX	3521
<b>XJ 6 SA</b>	36D	600	4	2009-		0.7	CR9E	6263	Q227	CR9EIX	3521
<b>XJ 6 SY</b>	36C	600	4	2009-		0.7	CR9E	6263	Q227	CR9EIX	3521
<b>XV 600 V Star Classic</b>		600		2008-		0.9	DPR7EA-9	5129	Q220	DPR7EIX-9	7803
<b>YZF 600 R</b>	4TV	600	4	1996-		0.8	CR9E	6263	Q227	CR9EIX	3521
<b>YZF 600 R</b>	4WD	600	4	1996-		0.8	CR9E	6263	Q227	CR9EIX	3521
<b>YZF 600 R6</b>		600	4	1999-		0.7	CR10EK	2360			
<b>YZF 600 R6S</b>		600	4	2007-		0.7	CR10EK	2360			
<b>YZF 600 R6SW</b>		600	4	2007-		0.7	CR10EK	2360			
<b>YZF 600 R Thundercat</b>		600	4	1996-		0.8	CR9E	6263	Q227	CR9EIX	3521
<b>YZF 600 RW</b>		600	4	2007-		0.8	CR9E	6263	Q227	CR9EIX	3521
<b>YZF-R6 600</b>		600	4	1999-2002		0.6	CR10EK	2360			
<b>YZF-R6 600</b>		600	4	2003-2005		0.6	CR10EK	2360			
<b>YZF-R6 600</b>		600	4	2006-2007		0.6	CR10EK	2360			
<b>YZF-R6 600</b>	13S...	600	4	2008-2011		0.6	CR10EK	2360			
<b>YZF-R6 600</b>		600	4	2013-	118hp	0.6	CR10EK	2360			
<b>YZF-R6 600 CEX</b>	13S...	600	4	2008-2008		0.6	CR10EK	2360			
<b>YZF-R6 600 X</b>	13S...	600	4	2008-2008		0.6	CR10EK	2360			
<b>YZF-R6 600 XC</b>	13S...	600	4	2008-2008		0.6	CR10EK	2360			
<b>TS 650</b>		650	2	-		0.6	B8ES	2411	Q201	BR8EIX	5044
<b>XS 650 H</b>		650	2	-		0.7	BPR7ES	2023		BPR7EIX	4055
<b>XS 650 II</b>		650	2	-		0.7	BPR7ES	2023		BPR7EIX	4055
<b>XS 650 S</b>		650	2	-		0.7	BPR7ES	2023		BPR7EIX	4055
<b>XS 650 SH</b>		650	2	-		0.7	BPR7ES	2023		BPR7EIX	4055
<b>XVS 650</b>	4VR/4XR	650	2	1997-		0.9	DPR7EA-9	5129	Q220	DPR7EIX-9	7803
<b>XVS 650 Drag Star</b>	4VR/4XR	650	2	1997-		0.9	DPR7EA-9	5129	Q220	DPR7EIX-9	7803
<b>XVS 650 Drag Star</b>		650	2	2007-2009		0.9	DPR7EA-9	5129	Q220	DPR7EIX-9	7803
<b>XVS 650 Drag Star Classic</b>	VM0	650	2	1998-		0.9	DPR7EA-9	5129	Q220	DPR7EIX-9	7803
<b>XVS 650 V-Star Mid-night</b>		650	2	2006-		0.9	DPR7EA-9	5129	Q220	DPR7EIX-9	7803
<b>MT 03 660</b>		660	1	2006-2007		0.6	CR7E	4578	Q225	CR7EIX	7385
<b>MT 03 660</b>		660	1	2008-		0.6	CR7E	4578	Q225	CR7EIX	7385
<b>SZR 660</b>	4SU	660	1	1996-1996		0.9	DPR9EA-9	5329	Q222	DPR9EIX-9	5545
<b>SZR 660</b>	4SU	660	1	1997-		0.9	DPR8EA-9	4929	Q221	DPR8EIX-9	2202
<b>XT 660 R</b>		660	1	2004-2011		0.6	CR7E	4578	Q225	CR7EIX	7385

\* Bitte Elektrodenabstand nach Angaben des Herstellers justieren

\* Please adjust the ground electrode gap

\* Veuillez vérifier l'écartement

\* Por favor, ajustar la distancia entre los electrodos

\* Regolare il gap

\* Iridium IX Spark Plug is the standard recommendation







Stock No.

Quick No.

Upgrade ↑

Stock No. ↑

**YAMAHA**

<b>XT 660 X</b>		660	1	2004-2011		0.6	CR7E	4578	Q225	CR7EIX	7385
<b>XT 660 Z Ténéré</b>		660	1	2008-2011		0.6	CR7E	4578	Q225	CR7EIX	7385
<b>XTR 660</b>		660	1	2004-		0.7	CR7E	4578	Q225	CR7EIX	7385
<b>XTZ 660</b>	4MD	660	1	1994-		0.9	DR8EA	7162		DR8EIX	6681
<b>XTZ 660</b>	3YF	660	1	1997-		0.9	DPR8EA-9	4929	Q221	DPR8EIX-9	2202
<b>XTZ 660 Tenere</b>		660	1	-		0.9	DPR8EA-9	4929	Q221	DPR8EIX-9	2202
<b>Tenere 700 XTZ690</b>	XTZ690	689	2	2020-	48hp	0.9	LMAR8A-9	4313			
<b>Tenere 700 XTZ690-U</b>	XTZ690-U	689	2	2020-	73hp	0.9	LMAR8A-9	4313			
<b>MT-07</b>	RM041/RM047/ RM048	700	2	2014-	75hp	0.9	LMAR8A-9	4313			
<b>MT-07 Tracer 700</b>	RM141	700	2	2016-	Italy 75hp	0.9	LMAR8A-9	4313			
<b>XSR 700</b>	RM121	700	2	2016-	48hp	0.8	LMAR8A-9	4313			
<b>XSR 700</b>	RM111	700	2	2016-	75hp	0.8	LMAR8A-9	4313			
<b>XTZ 750 Super Tenere</b>		750	2	-		0.9	DPR8EA-9	4929	Q221	DPR8EIX-9	2202
<b>XV 750</b>	4PW	750	2	1995-		0.8	BPR7ES	2023		BPR7EIX	4055
<b>YZF 750 R</b>		750	4	1993-		0.7	CR9E	6263	Q227	CR9EIX	3521
<b>YZF 750 RF</b>		750	4	1993-		0.7	CR9E	6263	Q227	CR9EIX	3521
<b>YZF 750 RFC</b>		750	4	1993-		0.7	CR9E	6263	Q227	CR9EIX	3521
<b>YZF 750 SP</b>	4HT	750	4	1993-		0.8	CR9E	6263	Q227	CR9EIX	3521
<b>YZF 750 SPF</b>	4HT	750	4	1993-		0.8	CR9E	6263	Q227	CR9EIX	3521
<b>YZF-R7</b>	RM011	750	4	1999-2000		0.7	R0373A-10	4940			
<b>FZ8</b>		800	4	2010-		0.7	CR9E	6263	Q227	CR9EIX	3521
<b>FZ8 N</b>		800	4	2010-		0.7	CR9E	6263	Q227	CR9EIX	3521
<b>FZ8 N</b>		800	4	2011-2015	106hp	0.8	CR9E	6263	Q227	CR9EIX	3521
<b>FZ8 NA</b>		800	4	2011-2016	106hp	0.8	CR9E	6263	Q227	CR9EIX	3521
<b>FZ8 Redline</b>		800	4	2012-		0.7	CR9E	6263	Q227	CR9EIX	3521
<b>FZ8 S</b>		800	4	2010-		0.7	CR9E	6263	Q227	CR9EIX	3521
<b>FZ8 SA</b>		800	4	2010-		0.7	CR9E	6263	Q227	CR9EIX	3521
<b>FZ8 SA Facer</b>		800	4	2011-2015	106hp	0.8	CR9E	6263	Q227	CR9EIX	3521
<b>FZ8 S Facer</b>		800	4	2011-2015	106hp	0.8	CR9E	6263	Q227	CR9EIX	3521
<b>MT-09 850</b>	RN 291/RN296	850	3	2013-2015	115hp	0.9	CPR9EAIX9**	97673			
<b>MT-09 850</b>	RN 291/RN296	850	3	2013-2015		0.9	CPR9EA-9	2308		CPR9EAIX-9	97673
<b>MT-09 Tracer 900</b>	RN29F	850	3	2016-	115hp	0.9	CPR9EA-9	2308		CPR9EAIX-9	97673
<b>MT-09 Tracer 900 GT</b>		850	3	2016-	115hp	0.9	CPR9EA-9	2308		CPR9EAIX-9	97673
<b>NIKEN</b>		850	3	2018-	115hp	0.9	MR9K-9	97162			
<b>NIKEN GT</b>		850	3	2019-	115hp	0.9	MR9K-9	97162			
<b>TDM 850</b>	4TX	850	2	1996-2001		0.9	DPR9EA-9	5329	Q222	DPR9EIX-9	5545
<b>TDM 850</b>	3VD	850	2	1997-		0.9	DPR8EA-9	4929	Q221	DPR8EIX-9	2202
<b>TDM 850</b>	4TX	850	2	1997-		0.9	DPR8EA-9	4929	Q221	DPR8EIX-9	2202
<b>TRX 850</b>		850	2	1995-1995		0.9	DPR8EA-9	4929	Q221	DPR8EIX-9	2202
<b>TRX 850</b>	4UN	850	2	1996-1996		0.9	DPR9EA-9	5329	Q222	DPR9EIX-9	5545
<b>TRX 850</b>	4UN	850	2	1997-		0.9	DPR8EA-9	4929	Q221	DPR8EIX-9	2202
<b>TDM 900</b>	RN08	900	2	2002-2003		0.9	DPR8EA-9	4929	Q221	DPR8EIX-9	2202
<b>TDM 900</b>	RN111	900	2	2004-2004		0.9	DPR8EA-9	4929	Q221	DPR8EIX-9	2202
<b>TDM 900 A</b>	TDM900A	900	2	2007-2009		0.9	DPR8EA-9	4929	Q221	DPR8EIX-9	2202
<b>XJ 900 GT</b>		900	4	1995-		0.9	DPR8EA-9	4929	Q221	DPR8EIX-9	2202
<b>XJ 900 P</b>	5JD	900	4	2007-2009		0.9	DPR8EA-9	4929	Q221	DPR8EIX-9	2202
<b>XJ 900 S</b>	4KM	900	4	1995-		0.9	DPR8EA-9	4929	Q221	DPR8EIX-9	2202
<b>XSR 900</b>	RN431	900	3	2016-	115hp	0.9	CPR9EA-9	2308		CPR9EAIX-9	97673
<b>XSR 900 Abarth</b>	RN431	900	3	2017-	115hp	0.9	CPR9EA-9	2308		CPR9EAIX-9	97673
<b>SCR 950</b>		950	2	2017-	48hp	0.9	CPR7EA-9	3901		CPR7EAIX-9	9198
<b>SCR 950</b>		950	2	2017-	54hp	0.9	CPR7EA-9	3901		CPR7EAIX-9	9198

\*Bitte Elektrodenabstand nach Angaben des Herstellers justieren

\*Please adjust the ground electrode gap

\*Veuillez vérifier l'écartement

\* Por favor, ajustar la distancia entre los electrodos

\*Regolare il gap

\*\* Iridium IX Spark Plug is the standard recommendation





Stock No.

Quick No.

Upgrade ↑

Stock No. ↑

**YAMAHA**

<b>XVS 950 A Midnight Star</b>	VN02	950	2	2009-2015	Italy	0.9	CPR7EA-9	3901		CPR7EAIX-9	9198
<b>FZ1</b>		1000	4	2006-2007		0.7	CR9EK	5600	Q230		
<b>FZ1</b>	2D1A00	1000	4	2008-2008		0.7	CR9EK	5600	Q230		
<b>FZ1 Fazer</b>		1000	4	2006-2007		0.7	CR9EK	5600	Q230		
<b>FZ1 Fazer</b>	3C3G00	1000	4	2008-2008		0.7	CR9EK	5600	Q230		
<b>FZ1 N</b>	2D1	1000	4	2006-2010	150hp	0.7	CR9EK	5600	Q230		
<b>FZ1 N</b>		1000	4	2011-2015	150hp	0.8	CR9E	6263	Q227	CR9EIX	3521
<b>FZ1 NA</b>	22C	1000	4	2008-2010	150hp	0.7	CR9EK	5600	Q230		
<b>FZ1 NA</b>		1000	4	2011-2015	150hp	0.8	CR9E	6263	Q227	CR9EIX	3521
<b>FZ1 NX</b>	2D1...	1000	4	2008-2008		0.7	CR9EK	5600	Q230		
<b>FZ1 NY</b>	2D1...	1000	4	2009-2009		0.7	CR9EK	5600	Q230		
<b>FZ1 S</b>	3C3...	1000	4	2006-2010	150hp	0.7	CR9EK	5600	Q230		
<b>FZ1 SA</b>	5D0...	1000	4	2007-2010	150hp	0.7	CR9EK	5600	Q230		
<b>FZ1 SA</b>		1000	4	2010-		0.7	CR9EK	5600	Q230		
<b>FZ1 SA Fazer</b>		1000	4	2011-2015	150hp	0.8	CR9E	6263	Q227	CR9EIX	3521
<b>FZ1 S Fazer</b>		1000	4	2011-2015	150hp	0.8	CR9E	6263	Q227	CR9EIX	3521
<b>FZ1 SX</b>	3C3K00	1000	4	2008-2008		0.7	CR9EK	5600	Q230		
<b>FZ1 SY</b>	3C3S00	1000	4	2009-2009		0.7	CR9EK	5600	Q230		
<b>FZR 1000 EXUP</b>	3LE	1000	4	1994-1995		0.7	DR8EA	7162		DR8EIX	6681
<b>FZR 1000 F</b>		1000	4	1994-		0.9	DP8EA-9	5829		DPR8EIX-9	2202
<b>FZR 1000 FC</b>		1000	4	1994-		0.7	DR8EA	7162		DR8EIX	6681
<b>FZR 1000 U</b>		1000	4	1994-		0.9	DP8EA-9	5829		DPR8EIX-9	2202
<b>FZS 1000 Fazer</b>		1000	4	2000-		0.8	CR9E	6263	Q227	CR9EIX	3521
<b>FZS 1000 Fazer</b>	RN064	1000	4	2001-		0.7	CR9E	6263	Q227	CR9EIX	3521
<b>FZS 1000 Fazer EXUP</b>		1000	4	2000-2005	143hp	0.8	CR9E	6263	Q227	CR9EIX	3521
<b>FZS 1000 Fazer EXUP</b>		1000	4	2000-2005	98hp	0.8	CR9E	6263	Q227	CR9EIX	3521
<b>FZS 1000 S Fazer EXUP</b>		1000	4	2003-2005	143hp	0.8	CR9E	6263	Q227	CR9EIX	3521
<b>FZS 1000 S Fazer EXUP</b>		1000	4	2003-2005	98hp	0.8	CR9E	6263	Q227	CR9EIX	3521
<b>GTS 1000</b>	4BH	1000	4	1992-		0.9	DPR8EA-9	4929	Q221	DPR8EIX-9	2202
<b>GTS 1000 A</b>	4FE	1000	4	1992-		0.9	DPR8EA-9	4929	Q221	DPR8EIX-9	2202
<b>MT-01 1000</b>		1000	2	2007-		0.9	DPR7EA-9	5129	Q220	DPR7EIX-9	7803
<b>MT-10</b>		1000	4	2016-	160hp	0.7	LMAR9E-J	6884			
<b>MT-10 SP</b>		1000	4	2017-	160hp	0.7	LMAR9E-J	6884			
<b>MT-10 Tourer Edition</b>		1000	4	2018-	160hp	0.7	LMAR9E-J	6884			
<b>YZF 1000 R</b>	4VD	1000	4	1996-2002		0.7	DR8EA	7162		DR8EIX	6681
<b>YZF 1000 R Thunderace</b>		1000	4	1995-		0.9	DR8EA	7162		DR8EIX	6681
<b>YZF-R1</b>	RN0	1000	4	1998-2001		0.7	CR9E	6263	Q227	CR9EIX	3521
<b>YZF-R1</b>	5PW	1000	4	2002-2003		0.9	CR9EIA-9	6289			
<b>YZF-R1</b>	4C8	1000	4	2004-2008		0.7	CR9EK	5600	Q230		
<b>YZF-R1</b>	14B	1000	4	2009-2012		0.7	LMAR9E-J	6884			
<b>YZF-R1</b>		1000	4	2013-	200hp	0.7	LMAR9E-J	6884			
<b>YZF-R1 M</b>	RN326	1000	4	2015-	200hp	0.6	LMAR9E-J	6884			
<b>BT 1100 Bulldog</b>	5JN	1100	2	2002-2006	65hp	0.6	BPR7ES	2023		BPR7EIX	4055
<b>XV 1100</b>	3LP	1100	4	1995-		0.8	BPR7ES	2023		BPR7EIX	4055
<b>XV 1100 SC</b>		1100	4	-		0.8	BPR7ES	2023		BPR7EIX	4055
<b>XV 1100 Virago</b>		1100	4	-1998		0.7	BPR7ES	2023		BPR7EIX	4055
<b>XVS 1100 A Classic</b>		1100	2	1999-		0.7	BR7ES	5122		BR7EIX	6664
<b>XVS 1100 A Drag Star</b>		1100	2	2002-		0.7	BPR7ES	2023		BPR7EIX	4055
<b>XVS 1100 A Drag Star</b>	11P...	1100	2	2007-2008		0.7	BPR7ES	2023		BPR7EIX	4055
<b>XVS 1100 Drag Star</b>		1100	2	1999-2001		0.7	BPR7ES	2023		BPR7EIX	4055
<b>XVS 1100 Drag Star</b>		1100	2	2002-		0.7	BPR7ES	2023		BPR7EIX	4055

\* Bitte Elektrodenabstand nach Angaben des Herstellers justieren

\* Please adjust the ground electrode gap

\* Veuillez vérifier l'écartement

\* Por favor, ajustar la distancia entre los electrodos

\* Regolare il gap

\* Iridium IX Spark Plug is the standard recommendation





Stock No.

Quick No.

Upgrade ↑

Stock No. ↑

**YAMAHA**

<b>XVS 1100 V Custom</b>		1100	2	2008-		0.7	BPR7ES	2023		BPR7EIX	4055
<b>XVS 1100 V Star Classic</b>		1100	2	2008-		0.7	BPR7ES	2023		BPR7EIX	4055
<b>XVS 1100 V Star Midnight</b>		1100	2	2006-		0.7	BPR7ES	2023		BPR7EIX	4055
<b>FJ 1200 AE</b>		1200	4	1993-		0.9	DP8EA-9	5829		DPR8EIX-9	2202
<b>FJ 1200 AEC</b>		1200	4	1993-		0.9	DP8EA-9	5829		DPR8EIX-9	2202
<b>FJ 1200 E</b>		1200	4	1993-		0.9	DP8EA-9	5829		DPR8EIX-9	2202
<b>FJ 1200 F</b>		1200	4	1993-		0.9	DP8EA-9	5829		DPR8EIX-9	2202
<b>XJR 1200</b>	4PU	1200	4	1995-1998		0.9	DPR8EA-9	4929	Q221	DPR8EIX-9	2202
<b>XJR 1200 SP</b>		1200	4	1997-1998		0.9	DPR8EA-9	4929	Q221	DPR8EIX-9	2202
<b>XT 1200 Z Super Tenere</b>		1200	2	2010-2013	Twin Spark 110hp	0.9	CPR8EB-9	6607			
<b>XT 1200 Z World Crosser</b>		1200	2	2013-	Twin Spark	0.9	CPR8EB-9	6607			
<b>FJR 1300</b>	5JW	1300	4	2001-2005	144hp	0.7	CR8E	4854	Q226	CR8EIX	4218
<b>FJR 1300</b>		1300	4	2013-		0.9	CPR8EA-9	2306		CPR8EAIX-9	96067
<b>FJR 1300 A</b>		1300	4	2003-2006		0.7	CR8E	4854	Q226	CR8EIX	4218
<b>FJR 1300 A</b>		1300	4	2006-2012		0.7	CR8E	4854	Q226	CR8EIX	4218
<b>FJR 1300 A</b>		1300	4	2013-	146hp	0.7	CPR8EA-9	2306		CPR8EAIX-9	96067
<b>FJR 1300 AE</b>		1300	4	2014-	146hp	0.9	CPR8EA-9	2306		CPR8EAIX-9	96067
<b>FJR 1300 AEX</b>	2D2...	1300	4	2008-2008		0.7	CR8E	4854	Q226	CR8EIX	4218
<b>FJR 1300 AEXC</b>	2D2H00	1300	4	2008-2008		0.7	CR8E	4854	Q226	CR8EIX	4218
<b>FJR 1300 AP</b>	5P5...	1300	4	2007-2009		0.7	CR8E	4854	Q226	CR8EIX	4218
<b>FJR 1300 AS</b>		1300	4	2006-2012		0.7	CR8E	4854	Q226	CR8EIX	4218
<b>FJR 1300 AS</b>		1300	4	2013-	146hp	0.7	CPR8EA-9	2306		CPR8EAIX-9	96067
<b>FJR 1300 ASX</b>	2D2F00	1300	4	2008-2008		0.7	CR8E	4854	Q226	CR8EIX	4218
<b>FJR 1300 ASY</b>	2D2M00	1300	4	2009-2009		0.7	CR8E	4854	Q226	CR8EIX	4218
<b>FJR 1300 AW</b>	3P6900	1300	4	2007-2007		0.7	CR8E	4854	Q226	CR8EIX	4218
<b>FJR 1300 AX</b>	3P6F00	1300	4	2007-2007		0.7	CR8E	4854	Q226	CR8EIX	4218
<b>FJR 1300 AY</b>	3P6M00	1300	4	2009-2009		0.7	CR8E	4854	Q226	CR8EIX	4218
<b>XJR 1300</b>		1300	4	1998-		0.9	DPR8EA-9	4929	Q221	DPR8EIX-9	2202
<b>XJR 1300</b>		1300	4	2007-		0.9	DPR8EA-9	4929	Q221	DPR8EIX-9	2202
<b>XJR 1300 SP</b>	RP022	1300	4	1999-		0.9	DPR8EA-9	4929	Q221	DPR8EIX-9	2202
<b>XV 1300 TD</b>		1300	4	-		0.9	DPR8EA-9	4929	Q221	DPR8EIX-9	2202
<b>XVS 1300 A Midnight Star</b>	11C...	1300	2	2007-2009		0.9	LMAR7A-9	4908			
<b>XVS 1300 A Midnight Star</b>	12C...	1300	2	2007-2008		0.9	LMAR7A-9	4908			
<b>XVS 1300 A Midnight Star</b>		1300	2	2010-		0.9	LMAR7A-9	4908			
<b>XVS 1300 AY Midnight Star</b>	12C300	1300	2	2009-2009		0.9	LMAR7A-9	4908			
<b>XVZ 1300 A Midnighth Star</b>		1300	4	1998-2001		0.9	DPR7EA-9	5129	Q220	DPR7EIX-9	7803
<b>XVZ 1300 A Royal Star</b>	4YP	1300	4	1997-		0.9	DPR7EA-9	5129	Q220	DPR7EIX-9	7803
<b>XVZ 1300 A Royal Star</b>	4NK	1300	4	1997-		0.9	DPR7EA-9	5129	Q220	DPR7EIX-9	7803
<b>XVZ 1300 A Royal Star</b>		1300	4	2000-		0.9	DPR7EA-9	5129	Q220	DPR7EIX-9	7803
<b>XVZ 1300 DE</b>		1300	4	1993-		0.9	DPR8EA-9	4929	Q221	DPR8EIX-9	2202
<b>XVZ 1300 TF Venture</b>		1300	4	2001-		0.9	DPR8EA-9	4929	Q221	DPR8EIX-9	2202
<b>Stryker</b>		1304	2	2012-	Water fluid	0.9	LMAR7A-9	4908			
<b>XV 1600 Wild Star</b>	VP981	1600	2	1999-2004		0.9	DPR7EA-9	5129	Q220	DPR7EIX-9	7803
<b>MT-01 1700</b>	5YU...	1670	2	2005-		0.9	DPR7EA-9	5129	Q220	DPR7EIX-9	7803
<b>MT-01 1700</b>	5YU...	1670	2	2009-		0.9	DPR7EA-9	5129	Q220	DPR7EIX-9	7803
<b>MT-01 1700 S</b>	5YU...	1670	2	2009-		0.9	DPR7EA-9	5129	Q220	DPR7EIX-9	7803
<b>MT-01 1700 W</b>	5YU...	1670	2	2007-2007		0.9	DPR7EA-9	5129	Q220	DPR7EIX-9	7803
<b>MT-01 1700 X</b>	5YU...	1670	2	2008-2008		0.9	DPR7EA-9	5129	Q220	DPR7EIX-9	7803

\*Bitte Elektrodenabstand nach Angaben des Herstellers justieren

\*Please adjust the ground electrode gap

\*Veuillez vérifier l'écartement

\* Por favor, ajustar la distancia entre los electrodos

\*Regolare il gap

\*\* Iridium IX Spark Plug is the standard recommendation





Stock No.

Quick No.

Upgrade ↑

Stock No. ↑

**YAMAHA**

<b>XU 1700 Road Star Warrior</b>		1670	2	2003-		0.9	DPR7EA-9	5129	Q220	DPR7EIX-9	7803
<b>XV 1700 PC Road Star</b>		1670	2	2007-2009		0.9	DPR7EA-9	5129	Q220	DPR7EIX-9	7803
<b>XV 1700 Road Star S</b>		1670	4	2012-		0.9	DPR7EA-9	5129	Q220	DPR7EIX-9	7803
<b>XV 1700 Road Star Silverado S</b>		1670	4	2012-		0.9	DPR7EA-9	5129	Q220	DPR7EIX-9	7803
<b>VMX-17 1700 VMax</b>		1679	4	2009-		0.9	CR9EIA-9	6289			
<b>XV 1700 Road Star Warrior</b>		1700	2	2008-		0.9	DPR7EA-9	5129	Q220	DPR7EIX-9	7803
<b>Roadliner S</b>		1854	4	2012-		0.9	DPR8EA-9	4929	Q221	DPR8EIX-9	2202
<b>Royal Star Venture S</b>		1854	4	2012-		0.9	DPR8EA-9	4929	Q221	DPR8EIX-9	2202
<b>Stratoliner Deluxe</b>		1854	4	2012-		0.9	DPR8EA-9	4929	Q221	DPR8EIX-9	2202
<b>Stratoliner S</b>		1854	4	2012-		0.9	DPR8EA-9	4929	Q221	DPR8EIX-9	2202
<b>XV 1900</b>		1854	4	2012-		0.9	DPR8EA-9	4929	Q221	DPR8EIX-9	2202
<b>XV 1900 S</b>		1854	4	2012-		0.9	DPR8EA-9	4929	Q221	DPR8EIX-9	2202
<b>Star Stratoliner Deluxe</b>		1900	4	2010-		0.9	DPR8EA-9	4929	Q221	DPR8EIX-9	2202
<b>XV 1900</b>		1900	2	2006-		0.9	DPR8EA-9	4929	Q221	DPR8EIX-9	2202
<b>XV 1900 A Midnight Star</b>		1900	2	2011-2016		0.9	DPR8EA-9	4929	Q221	DPR8EIX-9	2202
<b>XV 1900 Midnight Star</b>		1900	2	2006-2010		0.9	DPR8EA-9	4929	Q221	DPR8EIX-9	2202

**YAMASAKI**

<b>YM125-3</b>		125	1	2011-		0.6	D8EA	2120	Q216	DR8EIX	6681
----------------	--	-----	---	-------	--	-----	------	------	------	--------	------

**YIYING**

<b>YY 50</b>	YY	50	1	-		0.7	CR7HSA	4549		CR7HIX	7544
<b>YY 125</b>	YY	125	1	-		0.7	CR7HSA	4549		CR7HIX	7544
<b>YY 250</b>		250	1	-		0.7	CR7HSA	4549		CR7HIX	7544

**ZHONGNENG**

<b>Sixies 50</b>		50	1	2006-		0.7	CR7HSA	4549		CR7HIX	7544
------------------	--	----	---	-------	--	-----	--------	------	--	--------	------

**ZID**

<b>Sova 175</b>		175	1	1993-		0.6	BP7HS	5111		BPR7HIX	5944
<b>Woshod</b>		175	1	-	14hp	0.7	BP7HS	5111		BPR7HIX	5944
<b>Woshod</b>		175	1	-	13hp	0.7	BP7HS	5111		BPR7HIX	5944
<b>Woshod</b>		175	1	-	10hp	0.7	BP7HS	5111		BPR7HIX	5944
<b>Fermer</b>		197	1	-	13hp	0.7	BP7HS	5111		BPR7HIX	5944
<b>Zid-200</b>		197	1	-	15hp	0.7	BP7HS	5111		BPR7HIX	5944
<b>Sova</b>		200	1	-	15hp	0.7	BP7HS	5111		BPR7HIX	5944

**ZNEN**

<b>ZN 125 F Firenze 125</b>		125	1	-		0.6	C7HSA	4629		CR7HIX	7544
-----------------------------	--	-----	---	---	--	-----	-------	------	--	--------	------

**ZONGSHEN**

<b>Explorer Flash 50</b>		50	1	-		0.6	CR7HSA	4549		CR7HIX	7544
<b>Qingqi B2</b>	QM50QT-B2	50	1	-		0.5	BP7HS	5111		BPR7HIX	5944
<b>Ride Flash 50</b>		50	1	-		0.6	CR7HSA	4549		CR7HIX	7544
<b>Vento Phantom</b>		50	1	-		0.5	BP7HS	5111		BPR7HIX	5944
<b>Vento Triton</b>		50	1	-		0.5	BP7HS	5111		BPR7HIX	5944
<b>Vento Zip</b>		50	1	-		0.5	BP7HS	5111		BPR7HIX	5944
<b>Arktix</b>	ZS125GY10	125	1	-		0.7	DR8EA	7162		DR8EIX	6681
<b>Explorer</b>		125	1	-		0.6	CR7HSA	4549		CR7HIX	7544
<b>Explorer MRS 125</b>		125	1	-		0.9	DP8EA-9	5829		DPR8EIX-9	2202
<b>Explorer MRX 125</b>		125	1	-		0.9	DP8EA-9	5829		DPR8EIX-9	2202
<b>Explorer Phantom 125</b>		125	1	-		0.6	CR7HSA	4549		CR7HIX	7544
<b>Predator</b>	ZS125GY10	125	1	-		0.7	DR8EA	7162		DR8EIX	6681

\*Bitte Elektrodenabstand nach Angaben des Herstellers justieren

\*Please adjust the ground electrode gap

\*Veuillez vérifier l'écartement

\* Por favor, ajustar la distancia entre los electrodos

\*Regolare il gap

\* Iridium IX Spark Plug is the standard recommendation





Stock No.

Quick No.

Upgrade ↑

Stock No. ↑

## ZONGSHEN

<b>Qingqi 10D GY6</b>		125	1	-		0.6	CR7HSA	4549		CR7HIX	7544
<b>Ride MRS 125</b>		125	1	-		0.9	DP8EA-9	5829		DPR8EIX-9	2202
<b>Ride MRX 125</b>		125	1	-		0.9	DP8EA-9	5829		DPR8EIX-9	2202
<b>Ride Phantom 125</b>		125	1	-		0.6	CR7HSA	4549		CR7HIX	7544
<b>Qingqi 10D GY6</b>		150	1	-		0.6	CR7HSA	4549		CR7HIX	7544
<b>Storm</b>	ZS250GS	250	1	-		0.6	D8EA	2120	Q216	DR8EIX	6681

\* Bitte Elektrodenabstand nach Angaben des Herstellers justieren  
 \* Please adjust the ground electrode gap  
 \* Veuillez vérifier l'écartement

\* Por favor, ajustar la distancia entre los electrodos  
 \* Regolare il gap  
 \*\* Iridium IX Spark Plug is the standard recommendation





IGNITION  
PARTS



Stock No.

Quick No.

Upgrade ↑

Stock No. ↑

**ACCESS**

Long 50		50	1	-		0.8	BR8HSA	5539			
Streak 50		50	1	-		0.8	BR8HSA	5539			
Long 100		100	1	-		0.8	BR8HSA	5539			

**ADLY**

ATV 50		50	1	-		0.6	BP7HS	5111		BPR7HIX	5944
ATV 50 RS XXL Super-sonic		50	1	2007-		0.7	BPR7HS	6422		BPR7HIX	5944
Buggy 125		125	1	-		0.8	CR7HSA	4549		CR7HIX	7544
ATV 150		150	1	-		0.7	CR8E	4854	Q226	CR8EIX	4218
ATV 220 Cross Sentinel		220	1	-		0.7	CR8E	4854	Q226	CR8EIX	4218
ATV 220 Sentinel		220	1	-		0.7	CR8E	4854	Q226	CR8EIX	4218
ATV 300		300	1	-		0.7	DR8ES-L	2923	Q218	DR9EIX	4772
Interceptor	RS	300	1	2007-		0.7	DR8ES-L	2923	Q218	DR9EIX	4772

**AEON**

Cobra 50 4x2		50	1	2003-		0.8	BPR7HS	6422		BPR7HIX	5944
Minikolt 50 4x2		50	1	2003-		0.8	BPR7HS	6422		BPR7HIX	5944
Revo 50 4x2		50	1	2004-		0.8	BPR7HS	6422		BPR7HIX	5944
Cobra 100		100	1	2002-		0.8	BPR7HS	6422		BPR7HIX	5944
Revo 100		100	1	2004-		0.8	BPR7HS	6422		BPR7HIX	5944
Cobra Overland		125	1	2004-		0.8	CR7HS	7223		CR7HIX	7544
Cobra RS 1		125	1	-		0.8	CR7HS	7223		CR7HIX	7544
Cobra RS 2		125	1	-		0.8	CR7HS	7223		CR7HIX	7544
Cobra Sport 125		125	1	2002-		0.8	CR8HSA	2086		CR8HIX	7669
Cobra Utility 125		125	1	2002-		0.8	CR7HS	7223		CR7HIX	7544
Cobra RS 1		180	1	2002-2003		0.8	CR7HS	7223		CR7HIX	7544
Cobra RS 2		180	1	-		0.8	CR7HS	7223		CR7HIX	7544
Cobra RS 2		180	1	2004-		0.8	CR7HSA	4549		CR7HIX	7544
Cobra Sport 125		180	1	2002-		0.8	CR8HSA	2086		CR8HIX	7669
LG 180		180	1	2005-		0.8	CR7HSA	4549		CR7HIX	7544
Overland		180	1	2004-		0.8	CR7HS	7223		CR7HIX	7544
Overland II		180	1	2005-		0.8	CR7HSA	4549		CR7HIX	7544
Utility 4x2		180	1	2002-		0.8	CR7HS	7223		CR7HIX	7544
Cobra 220		220	1	2005-		0.6	CR7HSA	4549		CR7HIX	7544

**APACHE**

Tomahawk Mini 50		50	1	-2007		0.7	CR7HSA	4549		CR7HIX	7544
Tomahawk Mini 50		50	1	2008-		0.7	BR8HSA	5539			
Army 100		100	1	-		0.8	BR8HSA	5539			
RLX 100		100	1	-		0.8	BR8HSA	5539			
SX 100		100	1	-		0.8	BR8HSA	5539			
RLX 150		150	1	-		0.7	CR7HSA	4549		CR7HIX	7544
RLX 150 H		150	1	-		0.7	CR7HSA	4549		CR7HIX	7544
RLX 170 S		170	1	-		0.7	DR8EA	7162		DR8EIX	6681
RLX 250 AX		250	1	-		0.7	DR8EA	7162		DR8EIX	6681
RLX 250 S		250	1	-		0.7	CR8HS	7423		CR8HIX	7669
RLX 250 SX		250	1	-		0.7	CR8HS	7423		CR8HIX	7669
RLX F500		500	1	2010-		0.9	DPR7EA-9	5129	Q220	DPR7EIX-9	7803

**APRILIA**

Quasar		50	1	2002-2003		0.7	BPR7HS	6422		BPR7HIX	5944
Quasar		100	1	2002-2003		0.7	BPR7HS	6422		BPR7HIX	5944
Quasar		125	1	2002-2003		0.7	CR8HSA	2086		CR8HIX	7669

\*Bitte Elektrodenabstand nach Angaben des Herstellers justieren

\*Please adjust the ground electrode gap

\*Veuillez vérifier l'écartement

\* Por favor, ajustar la distancia entre los electrodos

\*Regolare il gap

\*\* Iridium IX Spark Plug is the standard recommendation





Stock No.

Quick No.

Upgrade ↑

Stock No. ↑

**ARCTIC CAT**

<b>50 2x4</b>	97A2A	50	1	1997-1997		0.7	CR8E	4854	Q226	CR8EIX	4218
<b>50 4x4</b>	97A4A	50	1	1997-1997		0.7	CR8E	4854	Q226	CR8EIX	4218
<b>50 DVX</b>		50	1	2006-2006		0.7	CR7HSA	4549		CR7HIX	7544
<b>50 DVX</b>	A2008KSA2BUS	50	1	2008-2008		0.7	CR7HSA	4549		CR7HIX	7544
<b>50 Utility</b>	A2006KUA2BUS	50	1	2006-2006		0.7	CR7HSA	4549		CR7HIX	7544
<b>50 Utility</b>	A2008KUA2BUS	50	1	2008-2008		0.7	CR7HSA	4549		CR7HIX	7544
<b>50 Y-6 Youth</b>	A2004ATA2BUS	50	1	2004-2004		0.7	BPR7HS	6422		BPR7HIX	5944
<b>50 Y-6 Youth</b>	A2005H2A2BUS	50	1	2005-2005		0.7	BPR7HS	6422		BPR7HIX	5944
<b>50 Youth</b>	A2002ATB2BUS	50	1	2002-2002		0.7	BPR7HS	6422		BPR7HIX	5944
<b>50 Youth</b>		50	1	2006-		0.7	CR7HSA	4549		CR7HIX	7544
<b>90 DVX</b>	A2006KSB2BUS	90	1	2006-2006		0.7	CR7HSA	4549		CR7HIX	7544
<b>90 DVX</b>	A2007KSB2BUS	90	1	2007-2007		0.7	CR7HSA	4549		CR7HIX	7544
<b>90 DVX</b>	A2008KSB2BUS	90	1	2008-2008		0.7	CR7HSA	4549		CR7HIX	7544
<b>90 DVX</b>	A2009KSB2BUS	90	1	2009-2009		0.7	CR7HSA	4549		CR7HIX	7544
<b>90 DVX</b>	A2010KSB2BUS	90	1	2010-2010		0.7	CR7HSA	4549		CR7HIX	7544
<b>90 DVX</b>	A2011KSB2BUS	90	1	2011-2011		0.7	CR7HSA	4549		CR7HIX	7544
<b>90 DVX</b>	A2012KSB2BUS	90	1	2012-2012		0.7	CR7HSA	4549		CR7HIX	7544
<b>90 DVX</b>	A2013KSB2BUS	90	1	2013-2013		0.7	CR7HSA	4549		CR7HIX	7544
<b>90 DVX 2x4</b>	A2014KSB2BUS	90	1	2014-2014		0.7	CR7HSA	4549		CR7HIX	7544
<b>90 Utility</b>	A2006KUB2BUS	90	1	2006-2006		0.7	CR7HSA	4549		CR7HIX	7544
<b>90 Utility</b>	A2007KUB2BUS	90	1	2007-2007		0.7	CR7HSA	4549		CR7HIX	7544
<b>90 Utility</b>	A2008KUB2BUS	90	1	2008-2008		0.7	CR7HSA	4549		CR7HIX	7544
<b>90Utility 2x4</b>	A2012KUB2BUS	90	1	2012-2012		0.7	CR7HSA	4549		CR7HIX	7544
<b>90 Utility 2x4</b>	A2009KUB2BUS	90	1	2009-2009		0.7	CR7HSA	4549		CR7HIX	7544
<b>90 Utility 2x4</b>	A2010KUB2BUS	90	1	2010-2010		0.7	CR7HSA	4549		CR7HIX	7544
<b>90 Utility 2x4</b>	A2011KUB2BUS	90	1	2011-2011		0.7	CR7HSA	4549		CR7HIX	7544
<b>90 Utility 2x4</b>	A2013KUB2BUS	90	1	2013-2013		0.7	CR7HSA	4549		CR7HIX	7544
<b>90 Utility 2x4</b>	A2014KUB2BUS	90	1	2014-2014		0.7	CR7HSA	4549		CR7HIX	7544
<b>90 Y-12 Youth</b>	A2003ATB2BUS	90	1	2003-2003		0.7	BPR7HS	6422		BPR7HIX	5944
<b>90 Y-12 Youth</b>	A2005H4B2BUS	90	1	2005-2005		0.7	CR6HSA	2983		CR6HIX	7274
<b>90 Y-12 Youth 2T</b>	A2004ATB2BUS	90	1	2004-2004		0.7	BPR7HS	6422		BPR7HIX	5944
<b>90 Y-12 Youth 4T</b>	A2004H4B2BUS	90	1	2004-2004		0.7	CR6HSA	2983		CR6HIX	7274
<b>90 Youth</b>		90	1	2006-		0.7	CR7HSA	4549		CR7HIX	7544
<b>150 Utility 2x4 Auto</b>	A2009KYC2BUS	150	1	2009-2009		0.6	DR8EA	7162		DR8EIX	6681
<b>150 Utility 2x4 Auto</b>	A2010KYC2BUS	150	1	2010-2010		0.6	D8EA	2120	Q216	DR8EIX	6681
<b>150 Utility 2x4 Auto</b>	A2011KYC2BUS	150	1	2011-2011		0.6	D8EA	2120	Q216	DR8EIX	6681
<b>150 Utility 2x4 Auto</b>	A2012KYC2BUS	150	1	2012-2012		0.6	D8EA	2120	Q216	DR8EIX	6681
<b>150 Utility 2x4 Auto</b>	A2013KYC2BUS	150	1	2013-2013		0.6	D8EA	2120	Q216	DR8EIX	6681
<b>150 Utility 2x4 Auto</b>	A2014KYC2BUS	150	1	2014-2014		0.6	D8EA	2120	Q216	DR8EIX	6681
<b>250 2x4</b>	99A2J-AP	250	1	1999-1999		0.7	DR7EA	7839		DR7EIX	5686
<b>250 2x4</b>	A2000ATE2AUS	250	1	2000-2000		0.7	DR7EA	7839		DR7EIX	5686
<b>250 2x4</b>	A2001ATE2AUS	250	1	2001-2001		0.7	DR7EA	7839		DR7EIX	5686
<b>250 2x4</b>	A2002ATE2AUS	250	1	2002-2002		0.7	DR7EA	7839		DR7EIX	5686
<b>250 2x4</b>	A2003ATE2AUS	250	1	2003-2003		0.7	DR7EA	7839		DR7EIX	5686
<b>250 2x4</b>	A2004ATE2AUS	250	1	2004-2004		0.7	DR7EA	7839		DR7EIX	5686
<b>250 2X4</b>	A2005ATE2AUS	250	1	2005-2005		0.7	DR7EA	7839		DR7EIX	5686
<b>250 4x2</b>		250	1	1999-		0.7	DR7EA	7839		DR7EIX	5686
<b>250 4x4</b>		250	1	2001-		0.7	DR7EA	7839		DR7EIX	5686
<b>250 4x4</b>	A2001ATE4AUS	250	1	2001-2001		0.7	DR7EA	7839		DR7EIX	5686
<b>250 4x4</b>	A2002ATE4AUS	250	1	2002-2002		0.7	DR7EA	7839		DR7EIX	5686
<b>250 4x4</b>	A2003ATE4AUS	250	1	2003-2003		0.7	DR7EA	7839		DR7EIX	5686
<b>250 4x4</b>	A2004ATE4AUS	250	1	2004-2004		0.7	DR7EA	7839		DR7EIX	5686

\*Bitte Elektrodenabstand nach Angaben des Herstellers justieren

\*Please adjust the ground electrode gap

\*Veuillez vérifier l'écartement

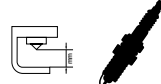
\* Por favor, ajustar la distancia entre los electrodos

\*Regolare il gap

\* Iridium IX Spark Plug is the standard recommendation







Stock No.

Quick No.

Upgrade ↑

Stock No. ↑

**ARCTIC CAT**

<b>250 4X4</b>	A2005ATE4AUS	250	1	2005-2005		0.7	DR7EA	7839		DR7EIX	5686
<b>250 DVX</b>	A2006KSE2BUS	250	1	2006-2006		0.9	DPR7EA-9	5129	Q220	DPR7EIX-9	7803
<b>250 DVX</b>	A2007KSE2BUS	250	1	2007-2007		0.9	DPR7EA-9	5129	Q220	DPR7EIX-9	7803
<b>250 DVX</b>	A2008KSE2BUS	250	1	2008-2008		0.9	DPR7EA-9	5129	Q220	DPR7EIX-9	7803
<b>250 Utility</b>	A2006KUE2BUS	250	1	2006-2006		0.9	DPR7EA-9	5129	Q220	DPR7EIX-9	7803
<b>250 Utility</b>	A2007KUE2BUS	250	1	2007-2007		0.9	DPR7EA-9	5129	Q220	DPR7EIX-9	7803
<b>250 Utility</b>	A2008KUE2BUS	250	1	2008-2008		0.9	DPR7EA-9	5129	Q220	DPR7EIX-9	7803
<b>250 Utility 2x4 Auto</b>	A2009KUE2BUS	250	1	2009-2009		0.9	DPR7EA-9	5129	Q220	DPR7EIX-9	7803
<b>300 2x4</b>	98A2C	300	1	1998-1998		0.7	DR7EA	7839		DR7EIX	5686
<b>300 2x4</b>	99A2C-AP	300	1	1999-1999		0.7	DR7EA	7839		DR7EIX	5686
<b>300 2x4</b>	A2000ATF2AUS	300	1	2000-2000		0.7	DR7EA	7839		DR7EIX	5686
<b>300 2x4</b>	A2001ATF2AUS	300	1	2001-2001		0.7	DR7EA	7839		DR7EIX	5686
<b>300 2x4</b>	A2002ATF2AUS	300	1	2002-2002		0.7	DR7EA	7839		DR7EIX	5686
<b>300 2x4</b>	A2003ATF2AUS	300	1	2003-2003		0.7	DR7EA	7839		DR7EIX	5686
<b>300 4x2</b>	98A4C	300	1	1999-		0.7	DR7EA	7839		DR7EIX	5686
<b>300 4x4</b>	99A4C-AP	300	1	1998-1998		0.7	DR7EA	7839		DR7EIX	5686
<b>300 4x4</b>	98A4C	300	1	1999-		0.7	DR7EA	7839		DR7EIX	5686
<b>300 4x4</b>	99A4C-AP	300	1	1999-1999		0.7	DR7EA	7839		DR7EIX	5686
<b>300 4x4</b>	A2000ATF4AUS	300	1	2000-2000		0.7	DR7EA	7839		DR7EIX	5686
<b>300 4x4</b>	A2001ATF4AUS	300	1	2001-2001		0.7	DR7EA	7839		DR7EIX	5686
<b>300 4x4</b>	A2002ATF4AUS	300	1	2002-2002		0.7	DR7EA	7839		DR7EIX	5686
<b>300 4x4</b>	A2003ATF4AUS	300	1	2003-2003		0.7	DR7EA	7839		DR7EIX	5686
<b>300 4x4</b>		300	1	2004-		0.7	DR7EA	7839		DR7EIX	5686
<b>300 4x4</b>	A2004ATF4AUS	300	1	2004-2004		0.7	DR7EA	7839		DR7EIX	5686
<b>300 4x4</b>	A2005ATF4AUS	300	1	2005-2005		0.7	DR7EA	7839		DR7EIX	5686
<b>300 DVX 2x4</b>	A2010KSF2BUS	300	1	2010-2010		0.9	DPR7EA-9	5129	Q220	DPR7EIX-9	7803
<b>300 DVX 2x4</b>	A2011KSF2BUS	300	1	2011-2011		0.9	DPR7EA-9	5129	Q220	DPR7EIX-9	7803
<b>300 DVX 2x4</b>	A2012KSF2BUS	300	1	2012-2012		0.9	DPR7EA-9	5129	Q220	DPR7EIX-9	7803
<b>300 DVX 2x4</b>	A2013KSF2BUS	300	1	2013-2013		0.9	DPR7EA-9	5129	Q220	DPR7EIX-9	7803
<b>300 DVX 2x4</b>	A2014KSF2BUS	300	1	2014-2014		0.9	DPR7EA-9	5129	Q220	DPR7EIX-9	7803
<b>300 DVX Sport Auto</b>	A2009KSF2BUSP	300	1	2009-2009		0.9	DPR7EA-9	5129	Q220	DPR7EIX-9	7803
<b>300 Utility 2x4</b>	A2010KUF2BUS	300	1	2010-2010		0.9	DPR7EA-9	5129	Q220	DPR7EIX-9	7803
<b>300 Utility 2x4</b>	A2011KUF2BUS	300	1	2011-2011		0.9	DPR7EA-9	5129	Q220	DPR7EIX-9	7803
<b>300 Utility 2x4</b>	A2012KUF2BUS	300	1	2012-2012		0.9	DPR7EA-9	5129	Q220	DPR7EIX-9	7803
<b>300 Utility 2x4</b>	A2013KUF2BUS	300	1	2013-2013		0.9	DPR7EA-9	5129	Q220	DPR7EIX-9	7803
<b>300 Utility 2x4</b>	A2014KUF2BUS	300	1	2014-2014		0.9	DPR7EA-9	5129	Q220	DPR7EIX-9	7803
<b>350 CR</b>	A2011IRG4BUS	350	1	2011-2011		0.7	CR8E	4854	Q226	CR8EIX	4218
<b>350 CR</b>	A2011IRG4BUS	350	1	2012-2012		0.7	CR8E	4854	Q226	CR8EIX	4218
<b>350 4x4 Auto SE</b>	A2010IDG4BUS	366	1	2011-2011		0.7	CR8E	4854	Q226	CR8EIX	4218
<b>366 4x4 Auto</b>	A2008IDG4BUS	366	1	2008-2008		0.7	CR8E	4854	Q226	CR8EIX	4218
<b>366 4x4 Auto</b>	A2009IDG4BUS	366	1	2009-2009		0.7	CR8E	4854	Q226	CR8EIX	4218
<b>366 4x4 Auto</b>	A2010IDG4BUS	366	1	2010-2010		0.7	CR8E	4854	Q226	CR8EIX	4218
<b>375 4x2</b>		375	1	2003-		0.7	CR7E	4578	Q225	CR7EIX	7385
<b>375 4x2 Auto</b>	A2002ATG2BUS	375	1	2002-2002		0.7	CR7E	4578	Q225	CR7EIX	7385
<b>375 4x4</b>		375	1	2003-		0.7	CR7E	4578	Q225	CR7EIX	7385
<b>375 4x4 Auto</b>	A2002ATG4BUS	375	1	2002-2002		0.7	CR7E	4578	Q225	CR7EIX	7385
<b>400 2x4</b>	98A2E	400	1	1998-1998		0.7	CR8E	4854	Q226	CR8EIX	4218
<b>400 2x4</b>	99A2E-AP	400	1	1999-1999		0.7	CR6E	6965			
<b>400 2x4</b>	A2000ATI2AUS	400	1	2000-2000		0.7	CR6E	6965			
<b>400 2x4</b>	A2001ATI2AUS	400	1	2001-2001		0.7	CR6E	6965			
<b>400 4x2</b>		400	1	1998-		0.7	CR6E	6965			
<b>400 4x4</b>		400	1	1998-		0.7	CR6E	6965			

\*Bitte Elektrodenabstand nach Angaben des Herstellers justieren

\*Please adjust the ground electrode gap

\*Veuillez vérifier l'écartement

\* Por favor, ajustar la distancia entre los electrodos

\*Regolare il gap

\*\* Iridium IX Spark Plug is the standard recommendation





Stock No.

Quick No.

Upgrade ↑

Stock No. ↑

**ARCTIC CAT**

<b>400 4x4</b>	98A4E	400	1	1998-1998		0.7	CR8E	4854	Q226	CR8EIX	4218
<b>400 4x4</b>	99A4E-AP	400	1	1999-1999		0.7	CR6E	6965			
<b>400 4x4</b>	A2000AT14AUS	400	1	2000-2000		0.7	CR6E	6965			
<b>400 4x4</b>	A2001AT14AUS	400	1	2001-2001		0.7	CR6E	6965			
<b>400 4x4 Auto</b>	A2003ATH4BUS	400	1	2003-2003		0.7	CR7E	4578	Q225	CR7EIX	7385
<b>400 4x4 Auto</b>	A2004ATH4BUS	400	1	2004-2004		0.7	CR7E	4578	Q225	CR7EIX	7385
<b>400 4x4 Auto CR</b>	A2013IRG4BUS	400	1	2013-2013		0.7	CR8E	4854	Q226	CR8EIX	4218
<b>400 4x4 Auto CR</b>	A2014IRG4BUS	400	1	2014-2014		0.7	CR8E	4854	Q226	CR8EIX	4218
<b>400 4x4 Manual</b>	A2003ATH4AUS	400	1	2003-2003		0.7	CR7E	4578	Q225	CR7EIX	7385
<b>400 4x4 Manual</b>	A2004ATH4AUS	400	1	2004-2004		0.7	CR7E	4578	Q225	CR7EIX	7385
<b>400 DVX</b>	A2004DVI2AUS	400	1	2004-2004		0.7	CR7E	4578	Q225	CR7EIX	7385
<b>400 DVX</b>	A2006DVI2AUS	400	1	2006-2006		0.7	CR7E	4578	Q225	CR7EIX	7385
<b>400 DVX</b>	A2007DVI2AUS	400	1	2007-2007		0.7	CR7E	4578	Q225	CR7EIX	7385
<b>400 DVX</b>	A2008DVI2AUS	400	1	2008-2008		0.7	CR7E	4578	Q225	CR7EIX	7385
<b>400 EFT 2x4</b>		400	1	2014-2014		0.7	CR8E	4854	Q226	CR8EIX	4218
<b>400 FIS 2x4 Auto</b>	A2003ISH2BUS	400	1	2003-2003		0.7	CR7E	4578	Q225	CR7EIX	7385
<b>400 FIS 2x4 Auto</b>	A2004ISH2BUS	400	1	2004-2004		0.7	CR7E	4578	Q225	CR7EIX	7385
<b>400 FIS 2x4 Manual</b>	A2002ISI2AUS	400	1	2002-2002		0.7	CR6E	6965			
<b>400 FIS 2x4 Manual</b>	A2003ISH2AUS	400	1	2003-2003		0.7	CR7E	4578	Q225	CR7EIX	7385
<b>400 FIS 2x4 Manual</b>	A2004ISH2AUS	400	1	2004-2004		0.7	CR7E	4578	Q225	CR7EIX	7385
<b>400 FIS 4x4 Auto</b>	A2003ISH4BUS	400	1	2003-2003		0.7	CR7E	4578	Q225	CR7EIX	7385
<b>400 FIS 4x4 Auto</b>	A2004ISH4BUS	400	1	2004-2004		0.7	CR7E	4578	Q225	CR7EIX	7385
<b>400 FIS 4x4 Auto</b>	A2005ISH4BUS	400	1	2005-2005		0.7	CR7E	4578	Q225	CR7EIX	7385
<b>400 FIS 4x4 Auto</b>	A2005ISH4BGMC	400	1	2005-2005		0.7	CR7E	4578	Q225	CR7EIX	7385
<b>400 FIS 4x4 Auto</b>	A2006ICH4BUS	400	1	2006-2006		0.7	CR7E	4578	Q225	CR7EIX	7385
<b>400 FIS 4x4 Auto</b>	A2007ICH4BUS	400	1	2007-2007		0.7	CR7E	4578	Q225	CR7EIX	7385
<b>400 FIS 4x4 Auto</b>	A2008ICH4BUS	400	1	2008-2008		0.7	CR7E	4578	Q225	CR7EIX	7385
<b>400 FIS 4x4 Manual</b>	A2002ISI4AUS	400	1	2002-2002		0.7	CR6E	6965			
<b>400 FIS 4x4 Manual</b>	A2003ISH4AUS	400	1	2003-2003		0.7	CR7E	4578	Q225	CR7EIX	7385
<b>400 FIS 4x4 Manual</b>	A2004ISH4AUS	400	1	2004-2004		0.7	CR7E	4578	Q225	CR7EIX	7385
<b>400 FIS 4x4 Manual</b>	A2005ISH4AUS	400	1	2005-2005		0.7	CR7E	4578	Q225	CR7EIX	7385
<b>400 FIS 4x4 Manual</b>	A2006ICH4AUS	400	1	2006-2006		0.7	CR7E	4578	Q225	CR7EIX	7385
<b>400 FIS 4x4 Manual</b>	A2007ICH4AUS	400	1	2007-2007		0.7	CR7E	4578	Q225	CR7EIX	7385
<b>400 FIS 4x4 Manual</b>	A2008ICH4AUS	400	1	2008-2008		0.7	CR7E	4578	Q225	CR7EIX	7385
<b>400 i 4x2</b>		400	1	1998-		0.7	CR8E	4854	Q226	CR8EIX	4218
<b>400 i 4x2</b>		400	1	2004-		0.7	CR7E	4578	Q225	CR7EIX	7385
<b>400 i 4x4</b>		400	1	1998-		0.7	CR8E	4854	Q226	CR8EIX	4218
<b>400 i 4x4</b>		400	1	2004-		0.7	CR7E	4578	Q225	CR7EIX	7385
<b>400 Manual</b>	A2002AT14AUS	400	1	2002-2002		0.7	CR6E	6965			
<b>400 TBX</b>		400	1	2004-		0.7	CR7E	4578	Q225	CR7EIX	7385
<b>400 TBX 4x4 Auto</b>	A2004BXH4BUS	400	1	2004-2004		0.7	CR7E	4578	Q225	CR7EIX	7385
<b>400 TBX 4x4 Auto</b>	A2005BBH4BUS	400	1	2005-2005		0.7	CR7E	4578	Q225	CR7EIX	7385
<b>400 TBX 4x4 Auto</b>	A2006BBH4BUS	400	1	2006-2006		0.7	CR7E	4578	Q225	CR7EIX	7385
<b>400 TRV 400</b>		400	1	2014-2014		0.7	CR8E	4854	Q226	CR8EIX	4218
<b>400 VP 4x4 Auto</b>	A2005ATH4BUS	400	1	2005-2005		0.7	CR7E	4578	Q225	CR7EIX	7385
<b>400 VP 4x4 Auto</b>	A2006ABH4BUS	400	1	2006-2006		0.7	CR7E	4578	Q225	CR7EIX	7385
<b>400 VP 4x4 Manual</b>	A2005ATH4AUS	400	1	2005-2005		0.7	CR7E	4578	Q225	CR7EIX	7385
<b>425 VP 4x4 Manual</b>	A2006ABH4AUS	400	1	2006-2006		0.7	CR7E	4578	Q225	CR7EIX	7385
<b>425 4x4 CR</b>	A2012IRK4CUS	425	1	2012-2012		0.7	CR7E	4578	Q225	CR7EIX	7385
<b>425 4x4 EFI CR</b>	A2011IRK4CUS	425	1	2011-2011		0.7	CR7E	4578	Q225	CR7EIX	7385
<b>450 4x4</b>		450	1	-2001		0.7	CR8E	4854	Q226	CR8EIX	4218
<b>450 4x4</b>	A2012ICK4C	450	1	2012-2012		0.7	CR7E	4578	Q225	CR7EIX	7385

\*Bitte Elektrodenabstand nach Angaben des Herstellers justieren

\*Please adjust the ground electrode gap

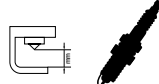
\*Veuillez vérifier l'écartement

\* Por favor, ajustar la distancia entre los electrodos

\*Regolare il gap

\* Iridium IX Spark Plug is the standard recommendation





Stock No.

Quick No.

Upgrade ↑

Stock No. ↑

**ARCTIC CAT**

<b>450 4x4</b>	A2014IRK4C	450	1	2014-2014		0.7	CR7E	4578	Q225	CR7EIX	7385
<b>450 4x4 EFI</b>	A2010ICK4C	450	1	2010-2010		0.7	CR7E	4578	Q225	CR7EIX	7385
<b>450 4x4 EFI</b>	A2011ICK4C	450	1	2011-2011		0.7	CR8E	4854	Q226	CR8EIX	4218
<b>450 CR</b>	A2013IRK4CUS	450	1	2013-2013		0.7	CR7E	4578	Q225	CR7EIX	7385
<b>450 EFT</b>		450	1	2014-2014		0.7	CR7E	4578	Q225	CR7EIX	7385
<b>450 GT</b>	A2012BGK2P	450	1	2012-2012		0.7	CR7E	4578	Q225	CR7EIX	7385
<b>450 TRV</b>	A2012TBK4C	450	1	2012-2012		0.7	CR7E	4578	Q225	CR7EIX	7385
<b>450 TRV EFI</b>	A2011TBK4C	450	1	2010-2010		0.7	CR7E	4578	Q225	CR7EIX	7385
<b>450 TRV GT</b>	A2012TGK2P	450	1	2012-2012		0.7	CR7E	4578	Q225	CR7EIX	7385
<b>450 XC EFI</b>	A2011KCK4C	450	1	2011-2011		0.7	CR7E	4578	Q225	CR7EIX	7385
<b>450 XC EFI</b>	A2012KCK4C	450	1	2012-2012		0.7	CR7E	4578	Q225	CR7EIX	7385
<b>450 XC EFI</b>	A2013KCK4C	450	1	2013-2013		0.7	CR7E	4578	Q225	CR7EIX	7385
<b>450 XC EFI</b>	A2014KCK4C	450	1	2014-2014		0.7	CR7E	4578	Q225	CR7EIX	7385
<b>454 2x4</b>	98A2A	454	1	1998-1998		0.7	CR8E	4854	Q226	CR8EIX	4218
<b>454 4x4</b>	98A4A	454	1	1998-1998		0.7	CR8E	4854	Q226	CR8EIX	4218
<b>454 Bearcat 4x4</b>	96A4A-AP	454	1	1996-1996		0.7	CR8E	4854	Q226	CR8EIX	4218
<b>500 4x4</b>	98A4G	500	1	1998-1998		0.7	CR7E	4578	Q225	CR7EIX	7385
<b>500 4x4</b>		500	1	1999-1999		0.7	CR6E	6965			
<b>500 4x4</b>	A2000ATM4AUS	500	1	2000-2000		0.7	CR6E	6965			
<b>500 4x4</b>	A2013ICK4C	500	1	2013-2013		0.7	CR7E	4578	Q225	CR7EIX	7385
<b>500 4x4</b>	A2014ICK4C	500	1	2014-2014		0.7	CR7E	4578	Q225	CR7EIX	7385
<b>500 4x4 Auto</b>	A2009IBM4BUS	500	1	2009-2009		0.7	CR6E	6965			
<b>500 4x4 Manual</b>	A2009IBM4AUS	500	1	2009-2009		0.7	CR6E	6965			
<b>500 4x4 Méca</b>		500	1	1999-		0.7	CR6E	6965			
<b>500 4x4 XT</b>	A2013BSK4C	500	1	2013-2013		0.7	CR7E	4578	Q225	CR7EIX	7385
<b>500 4x4 XT</b>	A2014BSK4C	500	1	2014-2014		0.7	CR7E	4578	Q225	CR7EIX	7385
<b>500 Auto</b>	A2000ATM4BUS	500	1	2000-2000		0.7	CR6E	6965			
<b>500 Auto</b>	A2001ATM4BUS	500	1	2001-2001		0.7	CR6E	6965			
<b>500 Auto</b>	A2002ATM4BUS	500	1	2002-2002		0.7	CR6E	6965			
<b>500 FIS Auto</b>	A2002ISM4BUS	500	1	2002-2002		0.7	CR6E	6965			
<b>500 FIS Auto</b>	A2003ISM4BUS	500	1	2003-2003		0.7	CR6E	6965			
<b>500 FIS Auto 4x4</b>	A2004ISM4BUS	500	1	2004-2004		0.7	CR6E	6965			
<b>500 FIS Auto 4x4</b>	A2005IBM4BUS	500	1	2005-2005		0.7	CR6E	6965			
<b>500 FIS Auto 4x4</b>	A2006IBM4BUS	500	1	2006-2006		0.7	CR6E	6965			
<b>500 FIS Auto 4x4</b>	A2007IBM4BUS	500	1	2007-2007		0.7	CR6E	6965			
<b>500 FIS Auto 4x4</b>	A2008IBM4BUS	500	1	2008-2008		0.7	CR6E	6965			
<b>500 FIS Manual</b>	A2002ISM4AUS	500	1	2002-2002		0.7	CR6E	6965			
<b>500 FIS Manual</b>	A2003ISM4AUS	500	1	2003-2003		0.7	CR6E	6965			
<b>500 FIS Manual 4x4</b>	A2004ISM4AUS	500	1	2004-2004		0.7	CR6E	6965			
<b>500 FIS Manual 4x4</b>	A2005IBM4AUS	500	1	2005-2005		0.7	CR6E	6965			
<b>500 FIS Manual 4x4</b>	A2006IBM4AUS	500	1	2006-2006		0.7	CR6E	6965			
<b>500 FIS Manual 4x4</b>	A2007IBM4AUS	500	1	2007-2007		0.7	CR6E	6965			
<b>500 FIS Manual 4x4</b>	A2008IBM4AUS	500	1	2008-2008		0.7	CR6E	6965			
<b>500 i 4x4 Auto</b>		500	1	2000-2002		0.7	CR6E	6965			
<b>500 Manual</b>	A2001ATM4AUS	500	1	2001-2001		0.7	CR6E	6965			
<b>500 Manual</b>	A2002ATM4AUS	500	1	2002-2002		0.7	CR6E	6965			
<b>500 TBX 4x4</b>		500	1	2001-		0.7	CR6E	6965			
<b>500 TBX Auto 4x4</b>	A2002BXM4BUS	500	1	2002-2002		0.7	CR6E	6965			
<b>500 TBX Auto 4x4</b>	A2003BXM4BUS	500	1	2003-2003		0.7	CR6E	6965			
<b>500 TBX Auto 4x4</b>	A2004BXM4BUS	500	1	2004-2004		0.7	CR6E	6965			
<b>500 TBX Auto 4x4</b>	A2005BBM4BUS	500	1	2005-2005		0.7	CR6E	6965			
<b>500 TBX Auto 4x4</b>	A2006BBM4BUS	500	1	2006-2006		0.7	CR6E	6965			

\*Bitte Elektrodenabstand nach Angaben des Herstellers justieren

\*Please adjust the ground electrode gap

\*Veuillez vérifier l'écartement

\* Por favor, ajustar la distancia entre los electrodos

\*Regolare il gap

\*\*Iridium IX Spark Plug is the standard recommendation



Stock No.

Quick No.

Upgrade ↑

Stock No. ↑

**ARCTIC CAT**

<b>500 TRV 4X4</b>	A2013TBK4C	500	1	2013-2013		0.7	CR7E	4578	Q225	CR7EIX	7385
<b>500 TRV 4X4</b>	A2014TBK4C	500	1	2014-2014		0.7	CR7E	4578	Q225	CR7EIX	7385
<b>500 TRV Auto</b>	A2003TDM4BUS	500	1	2003-2003		0.7	CR6E	6965			
<b>500 TRV Auto 4X4</b>	A2004TDM4BUS	500	1	2004-2004		0.7	CR6E	6965			
<b>500 TRV Auto 4X4</b>	A2005TDM4BUS	500	1	2005-2005		0.7	CR6E	6965			
<b>500 TRV Auto 4X4</b>	A2006TDM4BUS	500	1	2006-2006		0.7	CR6E	6965			
<b>500 TRV Auto 4X4</b>	A2008TDM4BUS	500	1	2008-2008		0.7	CR6E	6965			
<b>550 4x4</b>	A2012ICO4E	550	1	2012-2012		0.7	CPR8E	7411			
<b>550 4x4</b>	A2013ICO4E	550	1	2013-2013		0.7	CPR8E	7411			
<b>550 4x4</b>	A2014ICO4E	550	1	2014-2014		0.7	CPR8E	7411			
<b>550 EFT</b>		550	1	2014-2014		0.7	CPR8E	7411			
<b>550 GT</b>	A2012BGO1P	550	1	2012-2012		0.7	CPR8E	7411			
<b>550 H1 4x4 Auto EFI</b>	A2009IBO4E	550	1	2009-2009		0.7	CPR8E	7411			
<b>550 H1 4x4 Auto EFI</b>	A2010ICO4E	550	1	2010-2010		0.7	CPR8E	7411			
<b>550 H1 4x4 Auto EFI</b>	A2011ICO4E	550	1	2011-2011		0.7	CPR8E	7411			
<b>550H1 550 TRV EFI</b>	A2011TBO4E	550	1	2011-2011		0.7	CPR8E	7411			
<b>550 H1 EFI</b>	A2010ICO1P	550	1	2010-2010		0.7	CPR8E	7411			
<b>550 H1 EFI</b>	A2011ICO1P	550	1	2011-2011		0.7	CPR8E	7411			
<b>550H1 TRV EFI</b>	A2011TCO1P	550	1	2011-2011		0.7	CPR8E	7411			
<b>LTD 550</b>	A2012BLO1P	550	1	2012-2012		0.7	CPR8E	7411			
<b>LTD 550</b>	A2013BLO1P	550	1	2013-2013		0.7	CPR8E	7411			
<b>LTD 550</b>	A2014BLO1P	550	1	2014-2014		0.7	CPR8E	7411			
<b>TRV 550</b>	A2009TBO4E	550	1	2009-2009		0.7	CPR8E	7411			
<b>TRV 550</b>	A2010TBO4E	550	1	2010-2010		0.7	CPR8E	7411			
<b>TRV 550 Cruiser</b>	A2012TCO1P	550	1	2012-2012		0.7	CPR8E	7411			
<b>TRV 550s EFI</b>	A2010TBO1PUS	550	1	2010-2010		0.7	CPR8E	7411			
<b>TRV 550s EFI GT</b>	A2011TBO1P	550	1	2011-2011		0.7	CPR8E	7411			
<b>TRV GT 550</b>	A2012TGO1P	550	1	2012-2012		0.7	CPR8E	7411			
<b>TRV LTD</b>		550	1	2015-2015		0.7	CPR8E	7411			
<b>TRV LTD 550</b>	A2013TCO1P	550	1	2013-2013		0.7	CPR8E	7411			
<b>TRV LTD 550</b>	A2014TCO1P	550	1	2014-2014		0.7	CPR8E	7411			
<b>TRV XT</b>		550	1	2014-2014		0.7	CPR8E	7411			
<b>TRV XT</b>		550	1	2015-2015		0.7	CPR8E	7411			
<b>TRV XT 550</b>	A2013TGO1P	550	1	2013-2013		0.7	CPR8E	7411			
<b>TRV XT EFT</b>		550	1	2014-2014		0.7	CPR8E	7411			
<b>TRV XT EFT</b>		550	1	2015-2015		0.7	CPR8E	7411			
<b>XT 550</b>	A2013BGO1P	550	1	2013-2013		0.7	CPR8E	7411			
<b>XT 550</b>	A2014BGO1P	550	1	2014-2014		0.7	CPR8E	7411			
<b>XT EFT</b>		550	1	2014-2014		0.7	CPR8E	7411			
<b>650 4x4</b>	A2012ICS4B	650	1	2012-2012		0.7	CPR8E	7411			
<b>650 4x4 Auto</b>	A2010ICS4B	650	1	2010-2010		0.7	CPR8E	7411			
<b>650 4x4 Auto Mud Pro</b>	A2010IFS4BUS	650	1	2010-2010		0.7	CPR8E	7411			
<b>650 4x4 V2 Auto</b>		650	2	2004-2005		0.7	CR7E	4578	Q225	CR7EIX	7385
<b>650 FIS 4x4 V-2</b>	A2004ISR4B	650	2	2004-2004		0.7	CR7E	4578	Q225	CR7EIX	7385
<b>650 FIS 4x4 V-2</b>	A2005IBR4B	650	2	2005-2005		0.7	CR7E	4578	Q225	CR7EIX	7385
<b>650 FIS 4x4 V-Twin Auto</b>	A2006IBR4B	650	2	2006-2006		0.7	CR7E	4578	Q225	CR7EIX	7385
<b>H1 4x4</b>	A2005IBS4BUS	650	1	2005-2005		0.7	CPR8E	7411			
<b>H1 4x4</b>		650	1	2010-		0.6	CPR8E	7411			
<b>H1 650 4x4 Auto</b>	A2006IBS4B	650	1	2006-2006		0.7	CPR8E	7411			
<b>H1 650 4x4 Auto</b>	A2011ICS4B	650	1	2011-2011		0.7	CPR8E	7411			
<b>H1 650 Mud Pro 4x4</b>	A2011IFS4B	650	1	2011-2011		0.6	CPR8E	7411			
<b>H1 FIS 4x4 Auto</b>	A2007IBS4BUS	650	1	2007-2007		0.7	CPR8E	7411			

\*Bitte Elektrodenabstand nach Angaben des Herstellers justieren

\*Please adjust the ground electrode gap

\*Veuillez vérifier l'écartement

\* Por favor, ajustar la distancia entre los electrodos

\*Regolare il gap

\* Iridium IX Spark Plug is the standard recommendation





Stock No.

Quick No.

Upgrade ↑

Stock No. ↑

**ARCTIC CAT**

<b>H1 FIS 4x4 Auto</b>	A2008IBS4BUS	650	1	2008-2008		0.7	CPR8E	7411			
<b>H1 TBX 4x4 Auto</b>	A2007BBS4BUS	650	1	2007-2007		0.7	CPR8E	7411			
<b>H1 TRV 4x4 Auto</b>	A2007TBS4BUS	650	1	2007-2007		0.7	CPR8E	7411			
<b>H1 TRV 4x4 Auto</b>	A2008TBS4BUS	650	1	2008-2008		0.7	CPR8E	7411			
<b>TBX</b>	A2009BBS4BUS	650	1	2009-2009		0.7	CPR8E	7411			
<b>TRV</b>	A2009TBS4BUS	650	1	2009-2009		0.7	CPR8E	7411			
<b>700 4x4</b>	A2012IBT4E	700	1	2012-2012		0.7	CPR8E	7411			
<b>700 4x4</b>	A2013IBT4E	700	1	2013-2013		0.7	CPR8E	7411			
<b>700 4x4</b>	A2014IBT4E	700	1	2014-2014		0.7	CPR8E	7411			
<b>700 EFT</b>		700	1	2014-2014		0.7	CPR8E	7411			
<b>700 FIS 4x4 Auto</b>	A2006IBT4CUS	700	1	2006-2006		0.7	CR6E	6965			
<b>700 FIS 4x4 Auto</b>	A2007IBT4CUS	700	1	2007-2007		0.7	CR6E	6965			
<b>700 FIS 4x4 Auto EFI</b>	A2008IBT4CUS	700	1	2008-2008		0.7	CR6E	6965			
<b>700 GT</b>	A2012AGT1P	700	1	2012-2012		0.7	CPR8E	7411			
<b>700 GT</b>	A2013AGT1P	700	1	2013-2013		0.7	CPR8E	7411			
<b>700 TRV</b>	A2010TBT4EUS	700	1	2010-2010		0.6	CPR8E	7411			
<b>700 TRV</b>	A2011TBT4EUS	700	1	2011-2011		0.6	CPR8E	7411			
<b>700 TRV 4x4 Auto EFI</b>	A2008TCT4CUS	700	1	2008-2008		0.7	CR6E	6965			
<b>700 TRV 4x4 Auto LE</b>	A2008TBT4CUS	700	1	2008-2008		0.7	CR6E	6965			
<b>700 XT</b>	A2013AGT1P	700	1	2013-2013		0.6	CPR8E	7411			
<b>700 XT</b>	A2014AGT1P	700	1	2014-2014		0.6	CPR8E	7411			
<b>H1 700 EFI 4x4 Auto</b>	A2009IBT4E	700	1	2009-2009		0.7	CPR8E	7411			
<b>H1 700 EFI 4x4 Auto</b>	A2010IBT4E	700	1	2010-2010		0.7	CPR8E	7411			
<b>H1 700 EFI 4x4 Auto</b>	A2011IBT4E	700	1	2011-2011		0.7	CPR8E	7411			
<b>H1 700 EFI 4x4 Auto Mud Pro</b>	A2009IFT4E	700	1	2009-2009		0.6	CPR8E	7411			
<b>H1 700 EFI 4x4 Auto Mud Pro</b>	A2010IFT4E	700	1	2010-2010		0.7	CPR8E	7411			
<b>H1 700 EFI 4x4 Auto Mud Pro</b>	A2011IFT4E	700	1	2011-2011		0.7	CPR8E	7411			
<b>H1 700 EFI 4x4 TBX</b>	A2010BBT4E	700	1	2010-2010		0.6	CPR8E	7411			
<b>H1 700 FIS 4x4 Auto FIE</b>	A2008IBT4EUS	700	1	2008-2008		0.7	CPR8E	7411			
<b>H1 700s EFI</b>	A2010IBT1P	700	1	2010-2010		0.7	CPR8E	7411			
<b>H1 700s EFI</b>	A2011IBT1P	700	1	2011-2011		0.7	CPR8E	7411			
<b>H1 700s EFI TBX</b>	A2011BBT1P	700	1	2011-2011		0.7	CPR8E	7411			
<b>H1 700s EFI TRV</b>	A2010TBT1P	700	1	2010-2010		0.7	CPR8E	7411			
<b>H1 700s EFI TRV</b>	A2011TBT1P	700	1	2011-2011		0.7	CPR8E	7411			
<b>LTD 700</b>	A2012ALT1P	700	1	2012-2012		0.6	CPR8E	7411			
<b>LTD 700</b>	A2013ALT1P	700	1	2013-2013		0.6	CPR8E	7411			
<b>LTD 700</b>	A2014ALT1P	700	1	2014-2014		0.6	CPR8E	7411			
<b>Mud Pro 700</b>	A2012IFT4E	700	1	2012-2012		0.6	CPR8E	7411			
<b>Mud Pro 700</b>	A2013MLT1P	700	1	2013-2013		0.6	CPR8E	7411			
<b>Mud Pro LTD 700</b>	A2012MLT1P	700	1	2012-2012		0.6	CPR8E	7411			
<b>Mud Pro LTD 700</b>	A2014MLT1P	700	1	2014-2014		0.6	CPR8E	7411			
<b>TBX 700</b>	A2013BCT1P	700	1	2013-2013		0.6	CPR8E	7411			
<b>TBX 700</b>	A2014BBT4E	700	1	2014-2014		0.6	CPR8E	7411			
<b>TBX 700 GT</b>	A2012BCT1P	700	1	2012-2012		0.6	CPR8E	7411			
<b>TBX 700 T3S</b>		700	1	2014-2014		0.6	CPR8E	7411			
<b>TRV 700 Cruiser</b>	A2009TCT4E	700	1	2009-2009		0.6	CPR8E	7411			
<b>TRV 700 Cruiser</b>	A2010TCT4E	700	1	2010-2010		0.6	CPR8E	7411			
<b>TRV 700 Cruiser</b>	A2012TCT1P	700	1	2012-2012		0.6	CPR8E	7411			
<b>TRV 700 GT</b>	A2012TGT1P	700	1	2012-2012		0.6	CPR8E	7411			
<b>TRV 700 LTD</b>	A2013TGT1P	700	1	2013-2013		0.6	CPR8E	7411			
<b>TRV 700 LTD</b>	A2014TCT1P	700	1	2014-2014		0.6	CPR8E	7411			

\*Bitte Elektrodenabstand nach Angaben des Herstellers justieren

\*Please adjust the ground electrode gap

\*Veuillez vérifier l'écartement

\* Por favor, ajustar la distancia entre los electrodos

\*Regolare il gap

\*\* Iridium IX Spark Plug is the standard recommendation





Stock No.

Quick No.

Upgrade ↑

Stock No. ↑

**ARCTIC CAT**

<b>TRV 700s Cruiser</b>	A2011TCT1PUS	700	1	2011-2011		0.6	CPR8E	7411			
<b>TRV 700 XT</b>	A2013TGT1P	700	1	2013-2013		0.6	CPR8E	7411			
<b>TRV 700 XT</b>	A2014TGT1P	700	1	2014-2014		0.6	CPR8E	7411			
<b>TRV LTD</b>		700	1	2015-2015		0.6	CPR8E	7411			
<b>TRV XT</b>		700	1	2015-2015		0.6	CPR8E	7411			
<b>TRV XT EFT</b>		700	1	2014-2014		0.6	CPR8E	7411			
<b>TRV XT EFT</b>		700	1	2015-2015		0.6	CPR8E	7411			
<b>XT EFT</b>		700	1	2014-2014		0.6	CPR8E	7411			
<b>1000 GT</b>	A2012AGW1P	1000	2	2012-2012		0.6	CPR8E	7411			
<b>1000s TRV Cruiser</b>	A2011TCW1P	1000	2	2011-2011		0.6	CPR8E	7411			
<b>1000 TRV</b>	A2009TBW4EUS	1000	2	2009-2009		0.6	CPR8E	7411			
<b>1000 TRV</b>	A2010TBW4EUS	1000	2	2010-2010		0.6	CPR8E	7411			
<b>1000 TRV Cruiser</b>	A2009TCW4E	1000	2	2009-2009		0.6	CPR8E	7411			
<b>1000 TRV Cruiser</b>	A2010TCW4E	1000	2	2010-2010		0.6	CPR8E	7411			
<b>1000 TRV Cruiser</b>	A2012TCW1P	1000	2	2012-2012		0.6	CPR8E	7411			
<b>1000 TRV GT</b>	A2012TGW1P	1000	2	2012-2012		0.6	CPR8E	7411			
<b>1000 TRV LTD</b>	A2013TCW1P	1000	2	2013-2013		0.6	CPR8E	7411			
<b>1000 TRV LTD</b>	A2014TCW1P	1000	2	2014-2014		0.6	CPR8E	7411			
<b>1000 TRV XT EFT</b>		1000	2	2014-2014		0.6	CPR8E	7411			
<b>1000 XT</b>	A2013AGW1P	1000	2	2013-2013		0.6	CPR8E	7411			
<b>1000 XT</b>	A2013AGW1P	1000	2	2014-2014		0.6	CPR8E	7411			
<b>1000 XT EFT</b>		1000	2	2014-2014		0.6	CPR8E	7411			
<b>4X4 Auto Mud Pro</b>	A2010IFW4EUS	1000	2	2010-2010		0.7	CPR8E	7411			
<b>H2 1000 EFI Mud Pro</b>	A2011IFW4E	1000	2	2011-2011		0.6	CPR8E	7411			
<b>H2 1000s EFI</b>	A2011IEW1P	1000	2	2011-2011		0.6	CPR8E	7411			
<b>Mud Pro 1000</b>	A2013MLW1P	1000	2	2013-2013		0.6	CPR8E	7411			
<b>Mud Pro 1000 LTD</b>	A2012MLW1P	1000	2	2012-2012		0.6	CPR8E	7411			
<b>Mud Pro 1000 LTD</b>	A2014MLW1P	1000	2	2014-2014		0.6	CPR8E	7411			
<b>Thundercat 4x4 Auto</b>	A2008IEW4EUS	1000	2	2008-2008		0.6	CPR8E	7411			
<b>Thundercat 4x4 Auto FIS EFI</b>	A2009IEW4EUS	1000	2	2009-2009		0.6	CPR8E	7411			
<b>Thundercat 4x4 EFI</b>	A2010IEW4EUS	1000	2	2010-2010		0.6	CPR8E	7411			

**ARGO**

<b>Vanguard 2 6X6</b>		480	2	-	BRIGGS & STRATTON 16hp OHV	0.6	BKR5E	7938		BKR5EIX	6341
<b>Vanguard 6X6</b>		480	2	-	BRIGGS & STRATTON 16hp OHV	0.6	BKR5E	7938		BKR5EIX	6341
<b>Bigfoot 6X6</b>		570	2	-	BRIGGS & STRATTON 18hp OHV	0.6	BKR5E	7938		BKR5EIX	6341
<b>Response 8X8</b>		570	2	-	BRIGGS & STRATTON 18hp OHV	0.6	BKR5E	7938		BKR5EIX	6341
<b>Conquest 6X6</b>		614	2	-	KAWASAKI Engine FD620D 20hp	0.6	BKR5E	7938		BKR5EIX	6341
<b>Conquest 8X8</b>		617	2	-	KAWASAKI Engine FD620D 20hp	0.6	BMR4A	5728			
<b>Avenger 8X8</b>		674	2	-		0.6	BMR4A	5728			

**ATK**

<b>Mini Quad</b>		50	1	2001-		0.5	B7HS	5110		BR7HIX	7067
<b>Mini Quad</b>		90	1	2001-		0.5	B7HS	5110		BR7HIX	7067

**AXR**

<b>250 UT</b>		250	1	2006-		0.7	DR8EA	7162		DR8EIX	6681
---------------	--	-----	---	-------	--	-----	-------	------	--	--------	------

\* Bitte Elektrodenabstand nach Angaben des Herstellers justieren

\* Please adjust the ground electrode gap

\* Veuillez vérifier l'écartement

\* Por favor, ajustar la distancia entre los electrodos

\* Regolare il gap

\* Iridium IX Spark Plug is the standard recommendation





Stock No.

Quick No.

Upgrade ↑

Stock No. ↑

**BAROSSA MOTOR**

Mini		50	1	-		0.6	BPR7HS	6422		BPR7HIX	5944
Python		50	1	-		0.8	BPR7HS	6422		BPR7HIX	5944
Python		100	1	-		0.8	BPR7HS	6422		BPR7HIX	5944
T-13	XS	125	1	2007-		0.8	CR7HSA	4549		CR7HIX	7544
Magna		150	1	-		0.7	DR8EA	7162		DR8EIX	6681
Magna		170	1	-		0.7	DR8EA	7162		DR8EIX	6681
Magna		250	1	-		0.7	DR8EA	7162		DR8EIX	6681

**BLANEY**

FX 70		79	1	1999-		0.7	BP7HS	5111		BPR7HIX	5944
FX 90		90	1	2000-		0.7	BP7HS	5111		BPR7HIX	5944
FX 100		100	1	2000-		0.7	BP7HS	5111		BPR7HIX	5944

**BLAST**

50		50	1	-		0.5	B7HS	5110		BR7HIX	7067
100		100	1	-		0.5	B7HS	5110		BR7HIX	7067

**BOROSSI**

BB 650		650	2	-		0.6	BP6ES	7811		BPR6EIX	6637
BB 1600		1600	4	-		0.7	BCPR7E	1272			

**BOSS**

X2S1-90R		90	1	-		0.6	BP6HS	4511		BPR6HIX	4085
X4SZ-150R		155	1	-		0.6	BP6HS	4511		BPR6HIX	4085

**CAN-AM**

DS 50	DS	50	1	2002-2003		0.7	BPR7HS	6422		BPR7HIX	5944
DS 50	DS	50	1	2004-	ROTAX	0.7	BR9ECS	3570		BR9ECSIX	5438
Quest 50		50	1	2003-		0.8	BPR7HS	6422		BPR7HIX	5944
Quest 50		50	1	2004-		0.5	BR9ECS	3570		BR9ECSIX	5438
DS 70	DS	70	1	2009-		0.7	C6HSA	3228		CR6HIX	7274
DS 175	DS	90	1	2009-		0.7	C6HSA	3228		CR6HIX	7274
DS 90	DS	90	1	2002-		0.7	CR7HSA	4549		CR7HIX	7544
DS 90	DS	90	1	2002-2003		0.7	BPR7HS	6422		BPR7HIX	5944
DS 90	DS	90	1	2004-		0.7	BR9ECS	3570		BR9ECSIX	5438
Quest 90		90	1	2003-		0.7	CR7HSA	4549		CR7HIX	7544
Quest 90		90	1	2004-		0.5	BR9ECS	3570		BR9ECSIX	5438
Rally 200		175	1	2004-		0.7	CR8E	4854	Q226	CR8EIX	4218
Rally 200 4x2		200	1	2002-		0.6	CR8E	4854	Q226	CR8EIX	4218
DS 250	DS	250	1	-		0.6	CR8E	4854	Q226	CR8EIX	4218
Outlander 325 2x4	HO	330	1	2004-		0.6	DCPR8E	4339		DCPR8EIX	6546
Outlander 325 4x4	HO	330	1	2004-		0.6	DCPR8E	4339		DCPR8EIX	6546
Outlander 330		330	1	2004-	ROTAX	0.5	BR9ECS	3570		BR9ECSIX	5438
Outlander 400 2x4	HO	400	2	2004-		0.6	DCPR8E	4339		DCPR8EIX	6546
Outlander 400 4x4		400	2	2003-		0.6	DCPR8E	4339		DCPR8EIX	6546
Outlander 400 4x4	HO	400	2	2004-		0.6	DCPR8E	4339		DCPR8EIX	6546
Outlander 400 Max	HO	400	2	2004-		0.6	DCPR8E	4339		DCPR8EIX	6546
Outlander 400 XT	HO	400	2	2004-		0.6	DCPR8E	4339		DCPR8EIX	6546
Quest 498		498	1	2003-		0.5	BR9ECS	3570		BR9ECSIX	5438
Traxter 498		498	1	2003-		0.5	BR9ECS	3570		BR9ECSIX	5438
500		500	1	2002-		0.9	DCPR8E	4339		DCPR8EIX	6546
Max		500	2	-		0.6	DCPR8E	4339		DCPR8EIX	6546
Outlander		500	2	-		0.6	DCPR8E	4339		DCPR8EIX	6546
Quest 514 4x4		500	2	2004-		0.6	DCPR8E	4339		DCPR8EIX	6546

\*Bitte Elektrodenabstand nach Angaben des Herstellers justieren

\*Please adjust the ground electrode gap

\*Veuillez vérifier l'écartement

\* Por favor, ajustar la distancia entre los electrodos

\*Regolare il gap

\*\* Iridium IX Spark Plug is the standard recommendation





Stock No.

Quick No.

Upgrade ↑

Stock No. ↑

**CAN-AM**

Traxter 500 - 4x4		500	1	2000-2002		0.6	DR8EA	7162		DR8EIX	6681
Traxter 500 7401		500	1	1999-		0.7	DR8EA	7162		DR8EIX	6681
Traxter 500 7414		500	1	1998-		0.7	DR8EA	7162		DR8EIX	6681
Traxter 500 - Footshift		500	1	2000-2002		0.6	DR8EA	7162		DR8EIX	6681
Traxter 500 Rotax		500	1	2003-		0.7	BR9ECS	3570		BR9ECSIX	5438
Traxter 500 - SM		500	1	2000-2002		0.6	DR8EA	7162		DR8EIX	6681
Traxter 500 - XL		500	1	2000-2002		0.6	DR8EA	7162		DR8EIX	6681
Traxter 500 - XT		500	1	2000-2002		0.6	DR8EA	7162		DR8EIX	6681
Traxter 511 4x4 XL		500	1	2004-		0.6	DR8EA	7162		DR8EIX	6681
Traxter 511 4x4 XT		500	1	2004-		0.6	DR8EA	7162		DR8EIX	6681
XT		500	2	-		0.6	DCPR8E	4339		DCPR8EIX	6546
Quest 644		644	1	2003-		0.5	BR9ECS	3570		BR9ECSIX	5438
DS 650 4x2		650	1	2000-		0.6	DR8EA	7162		DR8EIX	6681
DS 654 Baja		650	1	2004-		0.6	DR8EA	7162		DR8EIX	6681
DS 654 Baja X		650	1	2004-		0.6	DR8EA	7162		DR8EIX	6681
Outlander 650 H.O.EFI 4x4		650	1	2004-		0.6	DCPR8E	4339		DCPR8EIX	6546
Outlander 650 Max		650	2	-		0.6	DCPR8E	4339		DCPR8EIX	6546
Outlander 650 XT		650	2	-		0.6	DCPR8E	4339		DCPR8EIX	6546
Quest 610		650	1	2003-		0.7	BR9ECS	3570		BR9ECSIX	5438
Quest 610 4x4		650	1	2002-2003		0.6	DR8EA	7162		DR8EIX	6681
Quest 610 Max		650	1	2002-2003		0.6	DR8EA	7162		DR8EIX	6681
Quest 610 XT		650	1	2002-2003		0.6	DR8EA	7162		DR8EIX	6681
Quest 650 4x4		650	1	2002-		0.6	DCPR8E	4339		DCPR8EIX	6546
Traxter 650 DR		650	1	2000-		0.7	DR8EA	7162		DR8EIX	6681
Traxter 650 DS		650	1	2000-		0.7	DR8EA	7162		DR8EIX	6681
Quest 653 DS		653	1	2003-		0.5	BR9ECS	3570		BR9ECSIX	5438
Outlander 800		800	2	2007-		0.6	DCPR8E	4339		DCPR8EIX	6546
Outlander 800 Max R		800	2	-		0.6	DCPR8E	4339		DCPR8EIX	6546
Outlander 800 Max R LTD		800	2	-		0.6	DCPR8E	4339		DCPR8EIX	6546
Outlander 800 Max R XT		800	2	-		0.6	DCPR8E	4339		DCPR8EIX	6546
Outlander 800 Max XT-P		800	2	-		0.6	DCPR8E	4339		DCPR8EIX	6546
Outlander 800 X mr		800	2	-		0.6	DCPR8E	4339		DCPR8EIX	6546
Outlander 800 X xc		800	2	-		0.6	DCPR8E	4339		DCPR8EIX	6546
Outlander 800 XY		800	2	-		0.6	DCPR8E	4339		DCPR8EIX	6546
Renegade 8000 R		800	2	-		0.6	DCPR8E	4339		DCPR8EIX	6546
Renegade 8000 X xc		800	2	-		0.6	DCPR8E	4339		DCPR8EIX	6546
Maverick 1000		1000	2	2013-		0.9	LMAR8C-9	93833			

**CANNONDALE**

Blaze, Speed 4x2		440	1	2002-		0.7	CR9EK	5600	Q230		
Cannibal 4x2		440	1	2002-		0.7	CR9EK	5600	Q230		
Glamis		440	1	2003-		0.7	CR9EK	5600	Q230		
Moto		440	1	2002-		0.7	CR9EK	5600	Q230		

**CARTER**

10.0 HP Tecumesh			1	-		0.6	BR4-LM	4133			
3.5 HP B&S			1	-		0.6	BR2-LM	5798			
5.0 HP B&S			1	-		0.6	BR2-LM	5798			
5.0 HP Tecumesh OHH50			1	-		0.8	BP6ES	7811		BPR6EIX	6637
5.5 HP Honda GX160			1	-		0.8	BPR6ES	7822		BPR6EIX	6637
6.0 HP Tecumesh OHH60			1	-		0.7	BR6ES	4922			

\*Bitte Elektrodenabstand nach Angaben des Herstellers justieren

\*Please adjust the ground electrode gap

\*Veuillez vérifier l'écartement

\* Por favor, ajustar la distancia entre los electrodos

\*Regolare il gap

\* Iridium IX Spark Plug is the standard recommendation







Stock No.

Quick No.

Upgrade ↑

Stock No. ↑

**CARTER**

6.5 HP OHV Tecumesh			1	-		0.6	BR6ES	4922			
6.5 HP Tecumesh OHH65			1	-		0.8	BP6ES	7811		BPR6EIX	6637
8.0 HP B&S			1	-		0.6	BR2-LM	5798			
8.0 HP Tecumesh			1	-		0.6	BR4-LM	4133			
8.0 HP Tecuseh			1	-		0.6	BR6S	3522			
Engine SMC			1	-		0.8	CR7HSA	4549		CR7HIX	7544

**CECTEK**

Gladiator EFI		497	1	2007-		0.7	CR7E	4578	Q225	CR7EIX	7385
Quadrift EFI		497	1	2007-		0.7	CR7E	4578	Q225	CR7EIX	7385

**COBRA -Quad**

ECX80 AC		80	1	2009-		0.8	BPR7ES	2023		BPR7EIX	4055
----------	--	----	---	-------	--	-----	--------	------	--	---------	------

**CPI**

200		50	1	2003-		0.8	BR7ES	5122		BR7EIX	6664
ATV 50		50	1	-		0.7	BR7HS	4737		BR7HIX	7067
Crab 4x2		50	1	2002-		0.7	BR8HSA	5539			
Dirt Demon 4x2		50	1	2002-		0.7	BR8HSA	5539			
XT 50 R Quad		50	1	-		0.7	BR7HS	4737		BR7HIX	7067
ATV 100		100	1	-		0.7	BR7HS	4737		BR7HIX	7067
Crab 4x2		100	1	2002-		0.7	BR8HSA	5539			
Dirt Demon 4x2		100	1	2002-		0.7	BR8HSA	5539			
ATV 200		200	1	-		0.7	BR7HS	4737		BR7HIX	7067
XS 250		250	1	2006-		0.8	CR7HSA	4549		CR7HIX	7544

**CUB CADET**

4x2			1	-	KAWASAKI 10hp	0.7	BPR5ES	7422		BPR5EIX	6597
4x2			1	-	HONDA 18hp OHV	0.7	ZGR5A	5839			
6x4			1	-	HONDA 20hp OHV	0.7	ZGR5A	5839			

**DAREN**

4x2		50	1	1999-		0.7	BPR7HS	6422		BPR7HIX	5944
4x2		100	1	1999-		0.7	BPR7HS	6422		BPR7HIX	5944
4x2		125	1	1999-		0.6	DR8EA	7162		DR8EIX	6681
4x2		150	1	1999-		0.6	DR8EA	7162		DR8EIX	6681

**DAZON**

Stinger 50		50	1	-		0.8	CR7HSA	4549		CR7HIX	7544
Raider Classic 150R		150	1	-		0.7	CR7HSA	4549		CR7HIX	7544
Raider Max 150R		150	1	-		0.7	CR8E	4854	Q226	CR8EIX	4218
170		170	1	-		0.7	DR8EA	7162		DR8EIX	6681
Buggy 175		175	1	-		0.9	DPR8EA-9	4929	Q221	DPR8EIX-9	2202
Raider Max 175R		175	1	-		0.7	CR8E	4854	Q226	CR8EIX	4218
250		250	1	-		0.7	CR8HS	7423		CR8HIX	7669
Raider Max 250R		250	1	-		0.7	CR8E	4854	Q226	CR8EIX	4218

**DINLI**

Cobia	DL-503	50	1	-		0.6	BPR7HS	6422		BPR7HIX	5944
Diamond Back	DL601-50	50	1	-		0.8	BPR7HS	6422		BPR7HIX	5944
Dino	DL501-50	50	1	-		0.8	BPR7HS	6422		BPR7HIX	5944
Dino 4x2		50	1	2002-		0.8	BPR7HS	6422		BPR7HIX	5944
Helix		50	1	2004-		0.8	BPR7HS	6422		BPR7HIX	5944
JP	DL502-51	50	1	-		0.6	BPR7HS	6422		BPR7HIX	5944
T-Rex 4x2		50	1	2003-		0.8	BPR7HS	6422		BPR7HIX	5944

\*Bitte Elektrodenabstand nach Angaben des Herstellers justieren

\*Please adjust the ground electrode gap

\*Veuillez vérifier l'écartement

\* Por favor, ajustar la distancia entre los electrodos

\*Regolare il gap

\*\* Iridium IX Spark Plug is the standard recommendation





Stock No.

Quick No.

Upgrade ↑

Stock No. ↑

## DINLI

<b>Beast</b>	DL602-90	90	1	-		0.8	BPR7HS	6422		BPR7HIX	5944
<b>Diamond Back</b>	DL601-90	90	1	-		0.8	BPR7HS	6422		BPR7HIX	5944
<b>Helix</b>	DL603-90	90	1	-		0.7	BPR7HS	6422		BPR7HIX	5944
<b>Helix</b>		100	1	2004-		0.8	BPR7HS	6422		BPR7HIX	5944
<b>T-Rex 100</b>		100	1	-		0.6	BP6HS	4511		BPR6HIX	4085
<b>T-Rex 4x2</b>		100	1	2003-		0.8	BPR7HS	6422		BPR7HIX	5944
<b>Diablo</b>	DL604-150	150	1	-		0.6	C7HSA	4629		CR7HIX	7544
<b>Diablo</b>		150	1	2004-		0.7	CR7HSA	4549		CR7HIX	7544
<b>Enforcer</b>	DL605-150	150	1	-		0.7	C7HSA	4629		CR7HIX	7544
<b>Enforcer</b>		150	1	2004-		0.7	CR7HSA	4549		CR7HIX	7544
<b>Helix</b>	DL603-150	150	1	-		0.7	C7HSA	4629		CR7HIX	7544
<b>Helix</b>		150	1	2004-		0.7	CR7HSA	4549		CR7HIX	7544
<b>DL901</b>	DMX	450	1	2005-		0.6	DCPR8E	4339		DCPR8EIX	6546

## DRR

<b>DRR 50</b>		50	1	-		0.7	BP7HS	5111		BPR7HIX	5944
<b>DRR 90</b>		90	1	-		0.7	BP7HS	5111		BPR7HIX	5944
<b>DRR 90 GT</b>		90	1	-		0.7	C7HSA	4629		CR7HIX	7544

## E.ATV

<b>Evolution 510</b>		510	1	-		0.6	DCPR8E	4179		DCPR8EIX	6546
<b>Explorer 625</b>		625	1	-		0.9	DPR8EA-9	4929	Q221	DPR8EIX-9	2202
<b>Extreme 950</b>		950	2	-		0.7	CR8EK	3478			
<b>Energie 992</b>		1000	2	-		0.6	DCPR8E	4179		DCPR8EIX	6546

## EPPELLA

<b>x Rider</b>		150	1	2007-		0.7	CR7HSA	4549		CR7HIX	7544
<b>Buggy 250 II</b>		244	1	2007-		0.9	DPR7EA-9	5129	Q220	DPR7EIX-9	7803

## ERING

<b>Tornado 50</b>		50	1	-		0.7	BP7HS	5111		BPR7HIX	5944
<b>Bug Rider BR250 Dual Seat</b>		250	1	-		0.9	DPR7EA-9	5129	Q220	DPR7EIX-9	7803

## ETON

<b>JLX 50 Viper Junior 4x2</b>		40	1	2003-		0.6	BPM7A	7321			
<b>BXL 50 Draco</b>		50	1	2006-		0.7	BPR7HS	6422		BPR7HIX	5944
<b>RXL 50 Viper 4x2</b>		50	1	2002-		0.7	BPR7HS	6422		BPR7HIX	5944
<b>DXL 90 Sierra Ranger 4x2</b>		90	1	2003-		0.7	BPR7HS	6422		BPR7HIX	5944
<b>Viper 4x2</b>		90	1	2002-		0.7	BPR7HS	6422		BPR7HIX	5944
<b>Challenger 150</b>		150	1	1999-		0.6	C7HSA	4629		CR7HIX	7544
<b>YXL 150 Yukon 4x2</b>		150	1	1998-		0.6	C7HSA	4629		CR7HIX	7544
<b>Vector</b>		250	1	-		0.7	CR8E	4854	Q226	CR8EIX	4218
<b>Vector</b>		300	1	-		0.7	CR8E	4854	Q226	CR8EIX	4218

## EXPLORER

<b>Atlas 500</b>		500	1	-		0.9	DPR7EA-9	5129	Q220	DPR7EIX-9	7803
<b>Everest 500</b>		500	1	-		0.9	DPR7EA-9	5129	Q220	DPR7EIX-9	7803
<b>Grumbler 525</b>		525	1	-		0.9	DPR7EA-9	5129	Q220	DPR7EIX-9	7803
<b>Bazooka 625</b>		625	1	-		0.9	DPR7EA-9	5129	Q220	DPR7EIX-9	7803
<b>Grison 625</b>		625	1	-		0.9	DPR7EA-9	5129	Q220	DPR7EIX-9	7803

## FOX

<b>50 4x2</b>		50	1	2000-		0.8	BPR7HS	6422		BPR7HIX	5944
<b>50 VR Sport</b>		50	1	2001-		0.8	BPR7HS	6422		BPR7HIX	5944

\*Bitte Elektrodenabstand nach Angaben des Herstellers justieren

\*Please adjust the ground electrode gap

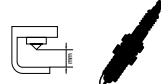
\*Veuillez vérifier l'écartement

\* Por favor, ajustar la distancia entre los electrodos

\*Regolare il gap

\* Iridium IX Spark Plug is the standard recommendation





Stock No.

Quick No.

Upgrade ↑

Stock No. ↑

**FOX**

90 MT		90	1	1999-		0.8	CR7HSA	4549		CR7HIX	7544
100		100	1	2000-		0.8	BPR7HS	6422		BPR7HIX	5944

**G+G**

Quad 1130		1130	2	2003-		*	BKR7EKC	7354			
-----------	--	------	---	-------	--	---	---------	------	--	--	--

**GAS GAS**

Quad 50		50	1	-		0.7	B9ES	2611	Q202	BR9EIX	3981
Quad 250		250	1	2007-		0.7	DPR7EA-9	5129	Q220	DPR7EIX-9	7803
Wild 300 4x2		300	1	2003-		0.6	BR8EG	3130			
Wild 450 4x2		450	1	2003-		0.6	CR8E	4854	Q226	CR8EIX	4218

**GILERA**

Oregon		250	1	-		0.6	CR8EB	7784			
--------	--	-----	---	---	--	-----	-------	------	--	--	--

**HERKULES**

ATV 50 RS XXL		50	1	2005-		0.8	BPR7HS	6422		BPR7HIX	5944
ATV 50 VG		50	1	2004-		0.7	BP7HS	5111		BPR7HIX	5944
ATV 50 VS		50	1	2004-		0.7	BP7HS	5111		BPR7HIX	5944
ATV 100 V		100	1	2004-		0.8	BPR7HS	6422		BPR7HIX	5944
ATK 125 R Go Kart		125	1	2004-		0.7	C7HSA	4629		CR7HIX	7544
ATV 150 S		150	1	2004-		0.7	CR8E	4854	Q226	CR8EIX	4218
ATV 150 U		150	1	2004-		0.7	CR8E	4854	Q226	CR8EIX	4218
ATV 300 S		300	1	2004-		0.7	DR8EA	7162		DR8EIX	6681
ATV 300 U		300	1	2004-		0.7	DR8EA	7162		DR8EIX	6681

**HONDA**

ATC 70	ATC	70	1	1983-1985	Constr.Code D / E / F	0.7	CR7HSA	4549		CR7HIX	7544
TRX 70 H 4x2	TRX	70	1	1987-		0.7	CR7HSA	4549		CR7HIX	7544
ATC 90	ATC	90	1	1970-		0.6	D8HA	7112			
Foutrax		90	1	2008-		0.7	CR7HSA	4549		CR7HIX	7544
TRX 90 4x2	TRX	90	1	2002-		0.7	CR7HSA	4549		CR7HIX	7544
TRX 90 X	TRX	90	1	2009-		0.7	CR7HSA	4549		CR7HIX	7544
ATC 110 C	ATC	110	1	1982-1983		0.7	DR8HS	5123			
ATC 110 D	ATC	110	1	1982-1983		0.7	DR8HS	5123			
ATC 125 M	ATC	125	1	1984-1987	Constr.Code E/F/G/H	0.7	DR8ES-L	2923	Q218	DR9EIX	4772
Trax 125		125	1	-		0.7	DR8ES-L	2923	Q218	DR9EIX	4772
TRX 125 4x2	TRX	125	1	1985-1988	Construction F / G / H / J	0.7	DR8ES-L	2923	Q218	DR9EIX	4772
ATC 185	ATC	185	1	-		0.7	D8EA	2120	Q216	DR8EIX	6681
ATC 185 S	ATC	185	1	1980-1984	Constr.Code A/B/C/D	0.7	DR8ES-L	2923	Q218	DR9EIX	4772
ATC 200	ATC	200	1	1981-		0.7	DR8ES-L	2923	Q218	DR9EIX	4772
TRX 200 D	TRX	200	1	1995-1997	Constr.Code S/T/V	0.7	DR8ES-L	2923	Q218	DR9EIX	4772
TRX 200 SX	TRX	200	1	1986-1988	Constr.Code G/H/J	0.7	DR8ES-L	2923	Q218	DR9EIX	4772
TRX 250 M	TRX	200	1	1991-		0.7	DR8ES-L	2923	Q218	DR9EIX	4772
ATC 250 ES	ATC	250	1	1986-1988	Constr.Code G/H/J	0.7	DR8ES-L	2923	Q218	DR9EIX	4772
ATC 250 R	ATC	250	1	1981-1985	Constr.Code B/C/D/E	0.7	BR8ES	5422	Q207	BR8EIX	5044
ATC 250 R	ATC	250	1	1985-1986	Constr.Code F/G	0.7	BR9ES	5722		BR9EIX	3981
FL 250	FL	250	1	-		0.8	BR9ES	5722		BR9EIX	3981
TRX 1-U 4x2	TRX	250	1	-2001		0.9	DPR8EA-9	4929	Q221	DPR8EIX-9	2202
TRX 250	TRX	250	1	-		0.6	DR8ES-L	2923	Q218	DR9EIX	4772
TRX 250 4x2	TRX	250	1	1997-	Constr.Code V/W/X/Y/1	0.9	DPR8EA-9	4929	Q221	DPR8EIX-9	2202
TRX 250 EX 4x2	TRX	250	1	2002-		0.9	DPR8EA-9	4929	Q221	DPR8EIX-9	2202

\*Bitte Elektrodenabstand nach Angaben des Herstellers justieren

\*Please adjust the ground electrode gap

\*Veuillez vérifier l'écartement

\* Por favor, ajustar la distancia entre los electrodos

\*Regolare il gap

\*\*Iridium IX Spark Plug is the standard recommendation





Stock No.

Quick No.

Upgrade ↑

Stock No. ↑

**HONDA**

<b>TRX 250 Fourtrax</b>		250	1	2008-		0.9	DPR8EA-9	4929	Q221	DPR8EIX-9	2202
<b>TRX 250 Fourtrax 4x2</b>	TRX	250	1	2002-		0.9	DPR8EA-9	4929	Q221	DPR8EIX-9	2202
<b>TRX 250 H</b>	TRX	250	1	1987-		0.7	DR8ES-L	2923	Q218	DR9EIX	4772
<b>TRX 250 R</b>	TRX	250	1	1986-1988	Constr.Code G/H/J	0.6	BR9ES	5722		BR9EIX	3981
<b>TRX 250 TE</b>	TRX	250	1	2003-		0.9	DPR8EA-9	4929	Q221	DPR8EIX-9	2202
<b>TRX 250 TM 4x2</b>	TRX	250	1	-2000		0.9	DPR8EA-9	4929	Q221	DPR8EIX-9	2202
<b>TRX 250 X</b>	TRX	250	1	1987-1991	Constr.Code H>M	0.7	DR8ES-L	2923	Q218	DR9EIX	4772
<b>TRX 300</b>	TRX	300	1	2009-		0.7	DR8ES-L	2923	Q218	DR9EIX	4772
<b>TRX 300 4x2</b>	TRX	300	1	-2001	Constr.Code >Y	0.9	DPR8EA-9	4929	Q221	DPR8EIX-9	2202
<b>TRX 300 EX</b>	TRX	300	1	1993-		0.6	DR8ES-L	2923	Q218	DR9EIX	4772
<b>TRX 300 EX Sportrax</b>	TRX	300	1	2006-		0.7	DR8ES-L	2923	Q218	DR9EIX	4772
<b>TRX 300 FW 4x4</b>	TRX	300	1	-2001	Constr.Code J>Y	0.9	DPR8EA-9	4929	Q221	DPR8EIX-9	2202
<b>TRX 300 N</b>	TRX	300	1	1992-		0.9	DPR8EA-9	4929	Q221	DPR8EIX-9	2202
<b>ATC 350 X</b>	ATC	350	1	-		0.7	DR8ES-L	2923	Q218	DR9EIX	4772
<b>FL 350 R</b>	FL	350	1	-		0.8	BR9ES	5722		BR9EIX	3981
<b>TRX 350</b>	TRX	350	1	1993-		0.6	DR8ES-L	2923	Q218	DR9EIX	4772
<b>TRX 350 D</b>	TRX	350	1	1987-1989	Constr.Code H/J/K	0.7	DR8ES-L	2923	Q218	DR9EIX	4772
<b>TRX 350 FE 4x4</b>	TRX	350	1	2001-		0.9	DPR7EA-9	5129	Q220	DPR7EIX-9	7803
<b>TRX 350 FM 4x4</b>	TRX	350	1	2001-		0.9	DPR7EA-9	5129	Q220	DPR7EIX-9	7803
<b>TRX 350 TE</b>	TRX	350	1	2005-		0.9	DPR7EA-9	5129	Q220	DPR7EIX-9	7803
<b>TRX 350 TM 4x2</b>	TRX	350	1	2001-		0.9	DPR7EA-9	5129	Q220	DPR7EIX-9	7803
<b>TRX 400</b>	TRX	400	1	2009-		0.7	DPR8Z	4730			
<b>TRX 400 EX Fourtrax 4x2</b>	TRX	400	1	1999-		0.7	DPR8Z	4730			
<b>TRX 400 FA</b>	TRX	400	1	2004-		0.9	DPR8EA-9	4929	Q221	DPR8EIX-9	2202
<b>TRX 400 FGA</b>	TRX	400	1	2004-		0.9	DPR8EA-9	4929	Q221	DPR8EIX-9	2202
<b>TRX 400 FW Foreman 4x2</b>	TRX	400	1	1996-		0.8	DPR7EA-9	5129	Q220	DPR7EIX-9	7803
<b>TRX 420 FA</b>	TRX	420	1	2010-		1.1	BKR5E-11	6953		BKR5EIX-11	5464
<b>TRX 420 FE</b>	TRX	420	1	2008-		1.1	BKR5E-11	6953		BKR5EIX-11	5464
<b>TRX 420 FE</b>	TRX	420	1	2010-		1.1	BKR5E-11	6953		BKR5EIX-11	5464
<b>TRX 420 FM</b>	TRX	420	1	2010-		1.1	BKR5E-11	6953		BKR5EIX-11	5464
<b>TRX 420 FPA</b>	TRX	420	1	2010-		1.1	BKR5E-11	6953		BKR5EIX-11	5464
<b>TRX 420 FPM</b>	TRX	420	1	2010-		1.1	BKR5E-11	6953		BKR5EIX-11	5464
<b>TRX 420 TA</b>	TRX	420	1	2010-		1.1	BKR5E-11	6953		BKR5EIX-11	5464
<b>TRX 420 TE</b>	TRX	420	1	2010-		1.1	BKR5E-11	6953		BKR5EIX-11	5464
<b>TRX 450 ER</b>	TE32U	450	1	2006-2009		1.1	IFR8H11	5068			
<b>TRX 450 ES</b>	TRX	450	1	2004-		0.9	DPR7EA-9	5129	Q220	DPR7EIX-9	7803
<b>TRX 450 ESW Foreman 4x4</b>	TRX	450	1	1998-		0.8	DPR7EA-9	5129	Q220	DPR7EIX-9	7803
<b>TRX 450 FE</b>	TRX	450	1	2002-		0.9	DPR7EA-9	5129	Q220	DPR7EIX-9	7803
<b>TRX 450 R</b>	TE32U	450	1	2006-2009		1.1	IFR8H11	5068			
<b>TRX 500 FA Rubicon 4x4</b>	TRX	500	1	2001-		0.9	JR7A9	7901			
<b>TRX 650 FA</b>	TRX	650	1	2005-		1.1	IFR5L11	6502			
<b>TRX 650 FGA</b>	TRX	650	1	2005-		1.1	IFR5L11	6502			
<b>TRX 650 Rincon</b>	TRX	650	1	2005-		1.1	IFR5L11	6502			
<b>FGA Fourtrax Rincon</b>	TRX	680	1	2006-		1.1	IFR5L11	6502			
<b>TRX 680 FA</b>	TRX	680	1	2010-		1.1	IFR5L11	6502			
<b>TRX 700</b>	TRX	700	1	-		1.1	ZFR7F-11	2975			

**HUSQVARNA**

<b>QM 450</b>	QM	450		2005-		0.7	CR8EB	7784			
---------------	----	-----	--	-------	--	-----	-------	------	--	--	--

\* Bitte Elektrodenabstand nach Angaben des Herstellers justieren

\* Please adjust the ground electrode gap

\* Veuillez vérifier l'écartement

\* Por favor, ajustar la distancia entre los electrodos

\* Regolare il gap

\* Iridium IX Spark Plug is the standard recommendation





Stock No.

Quick No.

Upgrade ↑

Stock No. ↑

**HYMOTO**

<b>HQ 70</b>		70	1	-		0.7	C7HSA	4629		CR7HIX	7544
<b>HQ 110</b>		110	1	-		0.7	C7HSA	4629		CR7HIX	7544
<b>HQ 200 SRL</b>		200	1	-		0.7	DR8EA	7162		DR8EIX	6681
<b>HQ 300 4x4</b>		300	1	-		0.7	DR8EA	7162		DR8EIX	6681
<b>HQ 300 SRL</b>		300	1	-		0.7	DR8EA	7162		DR8EIX	6681

**HYOSUNG**

<b>50 4x2</b>		50	1	2003-		0.8	BP6HS	4511		BPR6HIX	4085
<b>HY 50</b>	HY	50	1	2005-		0.7	CR7HSA	4549		CR7HIX	7544
<b>Wow 50</b>		50	1	2004-		0.7	BP7HS	5111		BPR7HIX	5944
<b>90 4x2</b>		90	1	2003-		0.8	BPR7HS	6422		BPR7HIX	5944
<b>Wow 90</b>		90	1	2004-		0.7	BP7HS	5111		BPR7HIX	5944
<b>450 R</b>		450	1	2007-		0.6	CR8E	4854	Q226	CR8EIX	4218
<b>450 Rapier</b>		450	1	2010-		0.6	CR8E	4854	Q226	CR8EIX	4218
<b>TE 450</b>	TE	450	1	2007-		0.6	CR8E	4854	Q226	CR8EIX	4218

**HYTRACK**

<b>HY 420 4x4</b>	HY	420	1	-		0.6	DR8EA	7162		DR8EIX	6681
<b>HY 550</b>	HY	550	2	2008-	LINHAI	0.6	DR8EA	7162		DR8EIX	6681

**JOHN DEERE**

<b>Gator Kawasaki</b>	FE250D	250	1	-		0.7	BPR5ES	7422		BPR5EIX	6597
<b>Gator Kawasaki</b>	FE290D	290	1	-		0.7	BPR5ES	7422		BPR5EIX	6597
<b>Buck</b>		500	1	2004-		0.7	DR8EA	7162		DR8EIX	6681
<b>Trail Buck</b>		500	1	2004-		0.9	DCPR8E	4339		DCPR8EIX	6546
<b>Trail Buck</b>		650	1	2004-		0.9	DCPR8E	4339		DCPR8EIX	6546
<b>Gator 6x4</b>		854	3	-		0.9	BMR2A-10	4452			

**KARCHER**

<b>KM 170-8</b>		170	1	-		0.7	DR8EA	7162		DR8EIX	6681
<b>KM 250-10</b>		250	1	-		0.7	CR8HS	7423		CR8HIX	7669
<b>KM 250-11</b>		250	1	-		0.7	CR8HS	7423		CR8HIX	7669
<b>KM 250-9</b>		250	1	-		0.7	CR8HS	7423		CR8HIX	7669

**KAWASAKI**

<b>KFX 50 A KSF</b>	LM4AA/RK7AA/WA04A	50	1	2003-2006	Constr.Code 1-3, 6F	0.7	BPR4HS	7823			
<b>KFX 50 B KSF</b>	LM4AA/RK7AA/WA04A	50	1	2007-2009	Constr.Code 7F-9F, 9S	0.8	CR7HSA	4549		CR7HIX	7544
<b>KFX 50 KSF</b>	LM4AA/RK7AA/WA04A	50	1	2013-2015	Constr.Code B/D/F-FF	0.8	CR7HSA	4549		CR7HIX	7544
<b>KFX 80 A</b>	LM4AC/RK7AC11C	80	1	2003-2006	Constr.Code 1-3, 6F	0.6	BPR7HS	6422		BPR7HIX	5944
<b>KFX 90 A</b>	WE07A	90	1	2007-2015	Constr.Code 7F-9F, AF-FF	0.8	CR7HSA	4549		CR7HIX	7544
<b>KLF 110 A Mojave</b>	KLF	110	1	1987-1988	Constr.Code 1-2	0.7	C6HSA	3228		CR6HIX	7274
<b>KLF 110 B Mojave</b>	KLF	110	1	1987-1988	Constr.Code 1-2	*	C6HA	4712			
<b>KLF 185 A Bayou</b>	KLF	185	1	1985-1988	Constr.Code 1-4	0.6	D8EA	2120	Q216	DR8EIX	6681
<b>KLF 220 A Bayou</b>	LF220A	220	1	1988-1991	Constr.Code 1-4	0.7	DR8ES	5423	Q217	DR8EIX	6681
<b>KLF 220 A Bayou</b>	LF220A	220	1	2000-2002	Constr.Code 5-15	0.7	DR8ES	5423	Q217	DR8EIX	6681
<b>KDX 250</b>		250	1	-		0.8	BR8ES	5422	Q207	BR8EIX	5044
<b>KDX 250</b>		250	1	1991-		0.8	BR9ES	5722		BR9EIX	3981
<b>KDX 250 SR</b>		250	1	1992-		0.8	BR8ES	5422	Q207	BR8EIX	5044
<b>KFX 250 A Mojave</b>	KSF	250	1	1987-1999	Constr.Code 1-13	0.9	DP8EA-9	5829		DPR8EIX-9	2202
<b>KFX 250 A Mojave</b>	KSF	250	1	2000-2003	Constr.Code 14-17	0.9	DPR8EA-9	4929	Q221	DPR8EIX-9	2202
<b>KLF 250 A Bayou</b>	LF250A	250	1	2003-2009	Constr.Code 1-3, 6F-9F	0.7	DR8ES	5423	Q217	DR8EIX	6681
<b>KLF 250 A Bayou</b>	LF250A	250	1	2010-2011	Constr.Code F-BF	0.7	DR8ES	5423	Q217	DR8EIX	6681

\*Bitte Elektrodenabstand nach Angaben des Herstellers justieren

\*Please adjust the ground electrode gap

\*Veuillez vérifier l'écartement

\* Por favor, ajustar la distancia entre los electrodos

\*Regolare il gap

\*\*Iridium IX Spark Plug is the standard recommendation





Stock No.

Quick No.

Upgrade ↑

Stock No. ↑

**KAWASAKI**

<b>KSF 250</b>		250	1	1987-2004		0.9	DPR8EA-9	4929	Q221	DPR8EIX-9	2202
<b>KEF 300 A Lakota</b>	KEF	300	1	1995-1999	Constr.Code 1-5	0.7	D8EA	2120	Q216	DR8EIX	6681
<b>KEF 300 A Lakota</b>	KEF	300	1	2000-2000	Constr.Code from 6	0.7	DR7EA	7839		DR7EIX	5686
<b>KEF 300 B Lakota Sport</b>	KEF	300	1	2001-2003	Constr.Code 1-3	0.6	DR8EA	7162		DR8EIX	6681
<b>KFX 300</b>	KFX	300	1	1995-		0.6	DR7EA	7839		DR7EIX	5686
<b>KLF 300 2x4</b>	KLF	300	1	2005-		0.7	DR7EA	7839		DR7EIX	5686
<b>KLF 300 4x4</b>	KLF	300	1	2005-		0.7	DR7EA	7839		DR7EIX	5686
<b>KLF 300 A</b>	KLF	300	1	1986-1987		0.8	B8ES	2411	Q201	BR8EIX	5044
<b>KLF 300 B Bayou</b>	KLF	300	1	1988-1988	Constr.Code 1	0.8	BR8ES	5422	Q207	BR8EIX	5044
<b>KLF 300 B Bayou</b>	KLF	300	1	1989-1991	Constr.Code 2-4	0.7	D8EA	2120	Q216	DR8EIX	6681
<b>KLF 300 B Bayou</b>	KLF	300	1	1992-1999	Constr.Code 6-12	0.7	D8EA	2120	Q216	DR8EIX	6681
<b>KLF 300 B Bayou</b>	LF300B	300	1	2000-2004	Constr.Code 13-17	0.6	DR8EA	7162		DR8EIX	6681
<b>KLF 300 C Bayou 4x4</b>	LF300C	300	1	1989-1996	Constr.Code 1-8	0.7	D8EA	2120	Q216	DR8EIX	6681
<b>KLF 300 C Bayou 4x4</b>	LF300C	300	1	1997-1999	Constr.Code 9-11	0.7	D8EA	2120	Q216	DR8EIX	6681
<b>KLF 300 C Bayou 4x4</b>	LF300C	300	1	2000-2004	Constr.Code 12-16	0.6	DR8EA	7162		DR8EIX	6681
<b>KVF 300 A Prairie 4x4</b>	KVF	300	1	1999-2002	Constr.Code 1-4	0.6	DR8EA	7162		DR8EIX	6681
<b>KVF 300 B Prairie</b>	KVF	300	1	1999-2002	Constr.Code 1-4	0.6	DR8EA	7162		DR8EIX	6681
<b>KVF 300 C Brute Force</b>	VF300C	300	1	2012-2015	Constr.Code F-FF	0.9	DPR7EA-9	5129	Q220	DPR7EIX-9	7803
<b>Mule 550</b>		300	1	1997-2004		0.7	BPR5ES	7422		BPR5EIX	6597
<b>KVF 360 A Prairie 4x4</b>	KVF	360	1	2003-2013	Constr.Code 1-3, 6F-9F, AF-DF	0.9	DPR8EA-9	4929	Q221	DPR8EIX-9	2202
<b>KVF 360 B Prairie 4x2</b>	F360B	360	1	2003-2009	Constr.Code 1-3, 6F-9F	0.9	DPR8EA-9	4929	Q221	DPR8EIX-9	2202
<b>KVF 360 C Prairie 4X4 Advantage Classic</b>	KVF	360	1	2003-	Constr.Code 1-3, 6F-9F, AF-DF	0.9	DPR8EA-9	4929	Q221	DPR8EIX-9	2202
<b>KVF 360 C Prairie 4X4 Hardwoods Green HD</b>	KVF	360	1	2004-2009	Constr.Code 2-3, 6F-9F	0.9	DPR8EA-9	4929	Q221	DPR8EIX-9	2202
<b>KVF 360 C Prairie 4X4 Realtree APG HD</b>	KVF	360	1	2010-2011	Constr.Code AF-BF	0.9	DPR8EA-9	4929	Q221	DPR8EIX-9	2202
<b>KAF 400 Mule 600</b>		400	1	2005-		0.7	BPR5ES	7422		BPR5EIX	6597
<b>KAF 400 Mule 610</b>		400	1	2007-		0.7	BPR5ES	7422		BPR5EIX	6597
<b>KFX 400 A KSF</b>	KSF	400	1	2003-2006	Constr.Code 1-3, 6F	0.7	CR7E	4578	Q225	CR7EIX	7385
<b>KLF 400 B Bayou 4x4</b>	KLF	400	1	1993-1999	Constr.Code 1-7	0.9	DPR8EA-9	4929	Q221	DPR8EIX-9	2202
<b>KVF 400 A Prairie 4x4</b>	KVF	400	1	1997-1999	Constr.Code 1	0.9	DPR8EA-9	4929	Q221	DPR8EIX-9	2202
<b>KVF 400 B Prairie</b>	KVF	400	1	1998-1998	Constr.Code 1	0.9	DPR8EA-9	4929	Q221	DPR8EIX-9	2202
<b>KVF 400 C Prairie 4x4</b>	KVF	400	1	1999-2002	Constr.Code 1-3	0.9	DPR8EA-9	4929	Q221	DPR8EIX-9	2202
<b>KVF 400 D Prairie</b>	KVF	400	1	1999-2002	Constr.Code 1-3	0.9	DPR8EA-9	4929	Q221	DPR8EIX-9	2202
<b>KAF 450 B Mule 1000</b>		450	1	1990-1995		0.7	D6EA	7512			
<b>KFX 450 B R</b>	SF450B	450	1	2010-2014	Constr.Code AF-EF	0.9	CPR8EB-9	6607			
<b>KFX 450 R KSF</b>	SF450B	450	1	2008-2009	Constr.Code B8F-B9F, 8FA-9FB	0.9	CPR8EB-9	6607			
<b>KAF 540 C Mule 2010</b>		540	1	1990-1993		0.6	BPR5ES	7422		BPR5EIX	6597
<b>KAF 620 Mule 2510</b>		620	2	1993-2002		0.6	BMR2A	7677			
<b>KAF 620 Mule 3010</b>		620	2	2001-		0.6	BPR2ES	2264			
<b>KAF 620 Mule 3010 E&amp;G (UV)</b>		620	2	2001-		0.6	BPR2ES	2264			
<b>KAF 620 Mule A&amp;C (UV)</b>		620	2	1993-2002		0.6	BMR2A	7677			
<b>Mule 2500</b>		620	2	1994-2000		0.6	BMR2A	7677			
<b>Mule 3000</b>		620	2	2001-2006		0.6	BPR2ES	2264			
<b>KVF 650 A Prairie 4x4</b>	VF650D	650	2	2002-2003	Constr.Code 1-2	0.7	CR7E	4578	Q225	CR7EIX	7385
<b>KVF 650 B Prairie 4x4 Advantage Classic</b>	VF650D	650	2	2002-2003	Constr.Code 1-2	0.7	CR7E	4578	Q225	CR7EIX	7385
<b>KVF 650 D Brute Force 4x4</b>	VF650D	650	2	2005-2013	Constr.Code 1, 6F-9F, AF-DF	0.8	CR7E	4578	Q225	CR7EIX	7385
<b>KVF 650 D Brute Force 4x4</b>	VF650D	650	2	2012-2012	Constr.Code CS	0.8	CR7E	4578	Q225	CR7EIX	7385

\* Bitte Elektrodenabstand nach Angaben des Herstellers justieren

\* Please adjust the ground electrode gap

\* Veuillez vérifier l'écartement

\* Por favor, ajustar la distancia entre los electrodos

\* Regolare il gap

\* Iridium IX Spark Plug is the standard recommendation





Stock No.

Quick No.

Upgrade ↑

Stock No. ↑

**KAWASAKI**

<b>KVF 650 E Brute Force 4x4 Hardwoods Green HD</b>	VF650E	650	2	2005-2008	Constr.Code 1, 6F-9F	0.8	CR7E	4578	Q225	CR7EIX	7385
<b>KVF 650 F Brute Force 4x4i</b>	VF650F	650	2	2006-2011	Constr.Code 6F-9F, AF-DF	0.8	CR7E	4578	Q225	CR7EIX	7385
<b>KVF 650 F Brute Force 4x4i</b>	VF650F	650	2	2012-2012	Constr.Code CS	0.8	CR7E	4578	Q225	CR7EIX	7385
<b>KVF 650 G Brute Force 4x4i Hardwoods Green HD</b>	VF650	650	2	2006-2009	Constr.Code 6F-8F	0.8	CR7E	4578	Q225	CR7EIX	7385
<b>KVF 650 H Brute Force 4x4i</b>	VF650	650	2	2007-2008	Constr.Code 7F-8F	0.8	CR7E	4578	Q225	CR7EIX	7385
<b>KFV 700 B Prairie 4x4 Hardwoods Green HD</b>	VF700	700	2	2004-2005	Constr.Code 1	0.7	CR7E	4578	Q225	CR7EIX	7385
<b>KFX 700 A</b>	SV700A	700	2	2006-2006	Constr.Code 6F	*	CR7E	4578	Q225	CR7EIX	7385
<b>KFX 700 B</b>	SV700A	700	2	2006-2006	Constr.Code 6F	*	CR7E	4578	Q225	CR7EIX	7385
<b>KFX 700 C KSV</b>	SV700A	700	2	2006-2006	Constr.Code 6F	*	CR7E	4578	Q225	CR7EIX	7385
<b>KFX 700 V Force KSV</b>	SV700A	700	2	2004-2005	Constr.Code 1-2	0.8	CR7E	4578	Q225	CR7EIX	7385
<b>KFX 700 V Force KSV</b>	SV700A	700	2	2007-2009	Constr.Code 7F, 7F-9F	0.8	CR7E	4578	Q225	CR7EIX	7385
<b>KVF 700 A Prairie 4x4</b>	VF700	700	2	2004-2006	Constr.Code 1-2, 6F	0.7	CR7E	4578	Q225	CR7EIX	7385
<b>KVF 700 D Prairie 4x4 Team Green Special Edition</b>	VF700	700	2	2005-2006	Constr.Code 1, 6F	0.7	CR7E	4578	Q225	CR7EIX	7385
<b>KVF 750 A Brute Force 4x4i</b>	VF750	750	2	2005-2006	Constr.Code 1, 6F-7F	0.8	CR7E	4578	Q225	CR7EIX	7385
<b>KVF 750 B Brute Force 4x4i</b>	VF750	750	2	2007-2007		0.8	CR7E	4578	Q225	CR7EIX	7385
<b>KVF 750 B Brute Force 4x4i Hardwoods Green HD</b>	VF750	750	2	2005-2006	Constr.Code 1, 6F-7F	0.8	CR7E	4578	Q225	CR7EIX	7385
<b>KVF 750 Brute Force 4x4i Hardwoods Green HD</b>	VF750E	750	2	2008-2009	Constr.Code 8F-9F	0.8	CR7E	4578	Q225	CR7EIX	7385
<b>KVF 750 C Brute Force 4x4i</b>	VF750	750	2	2006-2006	Constr.Code 6F	0.8	CR7E	4578	Q225	CR7EIX	7385
<b>KVF 750 D Brute Force 4x4i</b>	VF750D	750	2	2009-2009	Constr.Code 9F	0.8	CR7E	4578	Q225	CR7EIX	7385
<b>KVF 750 E Brute Force 4x4i Hardwoods Green HD</b>	VF750E	750	2	2008-2009	Constr.Code 8F-9F	0.8	CR7E	4578	Q225	CR7EIX	7385
<b>KVF 750 E Brute Force 4x4i NRA Outdoors</b>	VF750E	750	2	2008-2009	Constr.Code 8F-9F	0.8	CR7E	4578	Q225	CR7EIX	7385
<b>KVF 750 E Brute Force 4x4i Realtree APG HD</b>	VF750E	750	2	2010-2010	Constr.Code AF	0.8	CR7E	4578	Q225	CR7EIX	7385
<b>KVF 750 F Brute Force 4x4i</b>	VF750F	750	2	2008-2008	Constr.Code 8F	0.8	CR7E	4578	Q225	CR7EIX	7385
<b>KVF 750 F Brute Force 4x4i</b>	VF750F	750	2	2010-2011	Constr.Code AF-BF	0.8	CR7E	4578	Q225	CR7EIX	7385
<b>KVF 750 G Brute Force 4x4i EPS</b>	VF750G	750	2	2015-2015	Constr.Code FF	0.9	CPR7EA-9	3901		CPR7EAIX-9	9198
<b>KVF 750 H Brute Force 4x4i EPS CAMO</b>	VF750H	750	2	2015-2015	Constr.Code FF	0.9	CPR7EA-9	3901		CPR7EAIX-9	9198
<b>KVF 750 J Brute Force 4x4i EPS</b>	VF750J	750	2	2012-2014	Constr.Code CF-EF	0.8	CR7E	4578	Q225	CR7EIX	7385
<b>KVF 750 J Brute Force 4x4i EPS</b>	VF750J	750	2	2012-2012	Constr.Code CS	0.8	CR7E	4578	Q225	CR7EIX	7385
<b>KVF 750 L Brute Force 4x4i</b>	VF750L	750	2	2012-2014	Constr.Code CF-EF	0.8	CR7E	4578	Q225	CR7EIX	7385
<b>KVF 750 L Brute Force 4x4i</b>	VF750L	750	2	2012-2012	Constr.Code CS	0.8	CR7E	4578	Q225	CR7EIX	7385
<b>Mule 2510 Diesel</b>		950	2	2000-2002	11V		Y-706R	3041			
<b>Mule 3010 Diesel</b>		950	2	2004-	11V		Y-706R	3041			
<b>Mule 3010 Trans Diesel</b>		950	2	2007-	11V		Y-706R	3041			

**KAZUMA**

<b>Meerkat</b>		50	1	-		0.6	C7HSA	4629		CR7HIX	7544
<b>Dingo</b>		90	1	-		0.6	C7HSA	4629		CR7HIX	7544
<b>Falcon</b>		90	1	-		0.6	C7HSA	4629		CR7HIX	7544

\* Bitte Elektrodenabstand nach Angaben des Herstellers justieren

\* Please adjust the ground electrode gap

\* Veuillez vérifier l'écartement

\* Por favor, ajustar la distancia entre los electrodos

\* Regolare il gap

\*\* Iridium IX Spark Plug is the standard recommendation





Stock No.

Quick No.

Upgrade ↑

Stock No. ↑

## KAZUMA

Baby Falcon		110	1	-		0.6	C7HSA	4629		CR7HIX	7544
Falcon		110	1	-		0.6	C7HSA	4629		CR7HIX	7544
Panda Lacoste		110	1	-		0.6	C7HSA	4629		CR7HIX	7544
Dingo		150	1	-		0.6	C7HSA	4629		CR7HIX	7544
Falcon		150	1	-		0.6	C7HSA	4629		CR7HIX	7544
Jaguar		500	2	-		0.7	BKR6E	6962		BKR6EIX	6418
Mammoth		800	2	-		0.6	BPR6ES	7822		BPR6EIX	6637

## KEEWAY

Dragon 250		250	1	-		0.8	DR7ES	3123		DR7EIX	5686
------------	--	-----	---	---	--	-----	-------	------	--	--------	------

## KOLPIN

50		50	1	-		0.8	BR8HSA	5539			
90		90	1	-		0.8	BR8HSA	5539			

## KREIDLER

Mini Mustang 50		50	1	2005-		0.8	BPR7HS	6422		BPR7HIX	5944
Mustang 50		50	1	2005-		0.8	BPR7HS	6422		BPR7HIX	5944
F-Kart 100		100	1	2005-		0.8	BPR7HS	6422		BPR7HIX	5944
Mustang 170		170	1	2005-		0.7	DR8EA	7162		DR8EIX	6681
Mustang 200		170	1	2005-		0.7	DR8EA	7162		DR8EIX	6681
Mustang 250		250	1	2005-		0.7	CR8HS	7423		CR8HIX	7669

## KTM

SX 450	SX	450	1	2009-		0.7	CR9EKB	2305			
XC 450	XC	450	1	2008-		0.9	DCPR8E	4339		DCPR8EIX	6546
SX 505	SX	477	1	2009-		0.7	CR9EKB	2305			
XC 525	XC	510	1	2008-		0.6	DCPR8E	4339		DCPR8EIX	6546
XC 525	XC	525	1	2008-		0.9	DCPR8E	4339		DCPR8EIX	6546

## KYMCO

Maxxer 50		50	1	-		*	BR8HSA	5539			
Mxer 50 4x2		50	1	2002-		0.7	BR8HSA	5539			
MXU 50		50	1	-		0.5	BR8HSA	5539			
Maxxer 90		90	1	-		*	C7HSA	4629		CR7HIX	7544
Mxer 150 4x2		150	1	2002-		0.7	DR8EA	7162		DR8EIX	6681
MXU 150		150	1	-		0.7	DR8EA	7162		DR8EIX	6681
KXR 250		250	1	2001-		0.9	DPR7EA-9	5129	Q220	DPR7EIX-9	7803
Maxxer 250		250	1	2005-		0.9	DPR7EA-9	5129	Q220	DPR7EIX-9	7803
Mxer 250 R		250	1	2005-		0.9	DPR7EA-9	5129	Q220	DPR7EIX-9	7803
MXU 250		250	1	2005-		0.9	DPR7EA-9	5129	Q220	DPR7EIX-9	7803
Maxxer 300		300	1	2005-		0.9	DPR7EA-9	5129	Q220	DPR7EIX-9	7803
MXU 300		300	1	2005-		0.9	DPR7EA-9	5129	Q220	DPR7EIX-9	7803
MXU 400		400	1	2008-		0.9	CR8E	4854	Q226	CR8EIX	4218
MXU 500		500	1	2005-		0.8	CR7E	4578	Q225	CR7EIX	7385
MXU 500 4x4		500	1	2006-		0.6	CR8E	4854	Q226	CR8EIX	4218

## LEM

Cayman 4x2		50	1	1997-		0.7	BR8HS	4915	Q212	BR8HIX	7001
Condor 4x2		50	1	1997-		0.7	BR8HS	4915	Q212	BR8HIX	7001

## LINHAI

260 Yeti Sport		257	1	-		0.6	DR8EA	7162		DR8EIX	6681
260 Yeti Standard		257	1	-		0.6	DR8EA	7162		DR8EIX	6681
260		260	1	2005-		0.7	DR8EA	7162		DR8EIX	6681

\* Bitte Elektrodenabstand nach Angaben des Herstellers justieren

\* Please adjust the ground electrode gap

\* Veuillez vérifier l'écartement

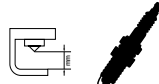
\* Por favor, ajustar la distancia entre los electrodos

\* Regolare il gap

\* Iridium IX Spark Plug is the standard recommendation







Stock No.

Quick No.

Upgrade ↑

Stock No. ↑

**MANCO**

Miny Indy		50	1	-	SUBARU 5hp	0.7	BR6HS	4200		BR6HIX	3419
Stock Car		50	1	-	SUBARU 4hp	0.7	BR6HS	4200		BR6HIX	3419
ZSR-50		50	1	-		0.8	BPR7HS	6422		BPR7HIX	5944
ZSR-90		90	1	-		0.8	BPR7HS	6422		BPR7HIX	5944
Bandit Kart		126	1	-	SUBARU 5hp	0.6	BR6HS	4200		BR6HIX	3419
Critter Kart		126	1	-	SUBARU 5hp	0.7	BR6HS	4200		BR6HIX	3419
Eliminator Kart		126	1	-	SUBARU 5hp	0.6	BR6HS	4200		BR6HIX	3419
Force Five Kart		126	1	-	SUBARU 5hp	0.6	BR6HS	4200		BR6HIX	3419
Quicksilver Kart		126	1	-	SUBARU 5hp	0.7	BR6HS	4200		BR6HIX	3419
Eliminator Kart		169	1	-	SUBARU 7hp	0.7	BR6HS	4200		BR6HIX	3419
EZ Rider Kart		169	1	-	SUBARU 4hp	0.7	BR6HS	4200		BR6HIX	3419
Aerforce Kart		211	1	-	SUBARU 7hp	0.7	BR6HS	4200		BR6HIX	3419
Intruder Kart		211	1	-	SUBARU 7hp	0.7	BR6HS	4200		BR6HIX	3419
8260E		260	1	-		0.7	DR8EA	7162		DR8EIX	6681
Aerforce Kart		265	1	-	SUBARU 10hp	0.7	BR6HS	4200		BR6HIX	3419
XTK-713E		404	1	-	SUBARU 14hp	0.6	BR6HS	4200		BR6HIX	3419
618 Super Deuce		450	2	-	HONDA 18hp OHV	0.7	BPR5ES	7422		BPR5EIX	6597

**MASAI**

A 300		265	1	-		1.0	DCPR7E	3932		DCPR7EIX	6046
A 450		450	1	-		0.8	DCPR8E	4339		DCPR8EIX	6546

**MASSEY-FERGUSON**

MF 250 2x4	MF	250	3	-		0.7	DR7EA	7839		DR7EIX	5686
MF 350 MRP 4X4	MF	350		-		0.7	DR7EA	7839		DR7EIX	5686
MF 400 MRP 4X4	MF	400		-		0.7	CR6E	6965			
MF 450 MRP 4X4	MF	450		-		0.7	CR6E	6965			
MF 500 MRP 4X4	MF	500		-		0.7	CR6E	6965			
MF 500 TBX 4X4	MF	500		-		0.7	CR6E	6965			

**MOTO ROMA**

Blazer 50		50	1	-		0.5	B8HS	5510		BR8HIX	7001
Blazer 50DL		50	1	-		0.6	BP7HS	5111		BPR7HIX	5944
Sport 90		90	1	-		0.7	BP7HS	5111		BPR7HIX	5944
Roadrunner 4		100	1	2004-		0.6	BP7HS	5111		BPR7HIX	5944
Sport 100		100	1	2004-		0.6	BP7HS	5111		BPR7HIX	5944
Sportsmann 125		125	1	2003-		0.7	C7HSA	4629		CR7HIX	7544
Sport 150		150	1	-		0.7	C7HSA	4629		CR7HIX	7544
X Maschine		150	1	-		0.7	C7HSA	4629		CR7HIX	7544
Sport 250		250	1	-		0.7	C7HSA	4629		CR7HIX	7544
Sportsman 250		250	1	-		0.7	C7HSA	4629		CR7HIX	7544
Geko 300		282	1	2005-		0.7	DR8EA	7162		DR8EIX	6681

**MOTOR TEK**

MT 125 4x2	MT	125	1	2000-		0.7	C7HSA	4629		CR7HIX	7544
MT 175 R 4x2	MT	175	1	2000-		0.7	DR8EA	7162		DR8EIX	6681

**MSA**

Fox 50		50	1	2000-		0.7	BR8HSA	5539			
Mini Fox 50		50	1	2000-		0.7	BM6A	5921			
Sport 50	VR	50	1	2000-		0.7	BR8HSA	5539			
Fox 90		90	1	2000-		0.7	CR7HSA	4549		CR7HIX	7544
Fox 100		100	1	2000-		0.7	BR8HSA	5539			
Sport 100	VR	100	1	2000-		0.7	BR8HSA	5539			

\*Bitte Elektrodenabstand nach Angaben des Herstellers justieren

\*Please adjust the ground electrode gap

\*Veuillez vérifier l'écartement

\* Por favor, ajustar la distancia entre los electrodos

\*Regolare il gap

\*\* Iridium IX Spark Plug is the standard recommendation





Stock No.

Quick No.

Upgrade ↑

Stock No. ↑

**MZ**

<b>ATV 50</b>		50	1	2003-		0.6	BP6HS	4511		BPR6HIX	4085
<b>ATV 100</b>		100	1	2003-		0.6	BP6HS	4511		BPR6HIX	4085
<b>MT 125 Cobra</b>		125	1	2005-		0.6	C7HSA	4629		CR7HIX	7544
<b>KX 150</b>		150	1	2005-		0.6	CR7E	4578	Q225	CR7EIX	7385
<b>VRS 150</b>		150	1	2005-		0.6	CR7E	4578	Q225	CR7EIX	7385

**PANDA**

<b>KD 50 A</b>		50	1	-		0.7	CR6HSA	2983		CR6HIX	7274
<b>KD 80 A</b>		80	1	-		0.7	CR6HSA	2983		CR6HIX	7274
<b>KD 125 A</b>		125	1	-		0.7	CR6HSA	2983		CR6HIX	7274

**PGO**

<b>110</b>		110	1	2003-		0.7	BPR7HS	6422		BPR7HIX	5944
<b>151</b>		151	1	2003-		0.7	CR7HSA	4549		CR7HIX	7544

**POLARIS**

<b>UTV 2X4</b>				-	24hp	0.6	BKR5E	7938		BKR5EIX	6341
<b>UTV 4X4</b>				-	30hp	0.6	BKR5E	7938		BKR5EIX	6341
<b>UTV 6X6</b>				-	30hp	0.6	BKR5E	7938		BKR5EIX	6341
<b>Predator 50</b>		50	1	2001-		0.7	BPR7HS	6422		BPR7HIX	5944
<b>Predator 50</b>		50	1	2003-		0.8	BPR7HS	6422		BPR7HIX	5944
<b>Scrambler 50 4x2</b>		50	1	2001-		0.7	BPR7HS	6422		BPR7HIX	5944
<b>Youth Scrambler 50</b>		50	1	2001-		0.8	BPR7HS	6422		BPR7HIX	5944
<b>Predator 90 4x2</b>		90	1	2003-		0.7	BPR7HS	6422		BPR7HIX	5944
<b>Scrambler 90 4x2</b>		90	1	2001-		0.7	BPR7HS	6422		BPR7HIX	5944
<b>Sportsman 90 4x2</b>		90	1	2001-		0.7	BPR7HS	6422		BPR7HIX	5944
<b>Youth Predator 90</b>		90	1	2003-		0.8	BPR7HS	6422		BPR7HIX	5944
<b>Youth Scrambler 90</b>		90	1	2001-		0.8	BPR7HS	6422		BPR7HIX	5944
<b>Youth Sportsman 90</b>		90	1	2001-		0.8	BPR7HS	6422		BPR7HIX	5944
<b>Pro X 120 2T</b>		121	1	2005-		0.7	B6ES	7310			
<b>Phönix 200</b>		200	1	2005-2012		0.7	CR6HSA	2983		CR6HIX	7274
<b>Sawtooth 200</b>		200	1	2006-		0.7	CR7HSA	4549		CR7HIX	7544
<b>250 2x4</b>		250	1	1993-1993		0.6	BR8ES	5422	Q207	BR8EIX	5044
<b>250 Big Boss</b>		250	1	1989-1989		0.6	BPR8ES	5170	Q213	BPR8EIX	6684
<b>250 Big Boss</b>		250	1	1990-1992		0.6	BR8ES	5422	Q207	BR8EIX	5044
<b>250 Euro Big Boss</b>		250	1	1992-1992		0.6	BR8ES	5422	Q207	BR8EIX	5044
<b>Cyclone 250</b>		250	1	1987-1987		0.6	BPR8ES	5170	Q213	BPR8EIX	6684
<b>Scrambler 250</b>		250	1	1985-1986		0.8	BPR8ES	5170	Q213	BPR8EIX	6684
<b>Scrambler 250</b>		250	1	1989-		0.6	BR8ES	5422	Q207	BR8EIX	5044
<b>Trail Blazer 250</b>		250	1	1990-1997		0.6	BR8ES	5422	Q207	BR8EIX	5044
<b>Trail Boss 250</b>		250	1	1985-1987		0.8	BPR8ES	5170	Q213	BPR8EIX	6684
<b>Trail Boss 250</b>		250	1	1990-1997		0.6	BR8ES	5422	Q207	BR8EIX	5044
<b>Trail Boss 250 2x4</b>		250	1	1985-1989		0.6	BPR8ES	5170	Q213	BPR8EIX	6684
<b>Trail Boss 250 4x4</b>		250	1	1988-1989		0.6	BPR8ES	5170	Q213	BPR8EIX	6684
<b>Trail Boss 250 ES</b>		250	1	1987-1987		0.6	BPR8ES	5170	Q213	BPR8EIX	6684
<b>Trail Boss 250 R</b>		250	1	1987-1987		0.6	BPR8ES	5170	Q213	BPR8EIX	6684
<b>Xplorer 250 4x2</b>		250	1	2000-2002		0.7	BR8ES	5422	Q207	BR8EIX	5044
<b>300 2x4</b>		300	1	1994-1995		0.6	BR8ES	5422	Q207	BR8EIX	5044
<b>300 4x4</b>		300	1	1995-1995		0.6	BR8ES	5422	Q207	BR8EIX	5044
<b>300 Big Boss</b>		300	1	1993-		0.6	BR8ES	5422	Q207	BR8EIX	5044
<b>Hawkeye 300</b>		300	1	2006-		0.9	CR8E	4854	Q226	CR8EIX	4218
<b>Trail Boss 300</b>		300	1	1990-1993		0.6	BR8ES	5422	Q207	BR8EIX	5044
<b>Xplorer 300</b>		300	1	1996-2000		0.6	BR8ES	5422	Q207	BR8EIX	5044
<b>Xpress 300</b>		300	1	1996-2000		0.6	BR8ES	5422	Q207	BR8EIX	5044

\* Bitte Elektrodenabstand nach Angaben des Herstellers justieren

\* Please adjust the ground electrode gap

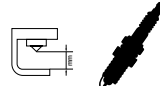
\* Veuillez vérifier l'écartement

\* Por favor, ajustar la distancia entre los electrodos

\* Regolare il gap

\* Iridium IX Spark Plug is the standard recommendation





Stock No.

Quick No.

Upgrade ↑

Stock No. ↑

**POLARIS**

ACE 300 EFI		325	1	2016-		0.8	MR7F	95897			
Hawkeye 325 2x4		325	1	2015-		0.8	MR7F	95897			
Magnum 325 4x2	HDS	325	1	-2002		0.9	BKR6E	6962		BKR6EIX	6418
Magnum 325 4x4	HDS	325	1	-2002		0.9	BKR6E	6962		BKR6EIX	6418
Sportsman 325 ACE		325	1	2014-		0.8	MR7F	95897			
Sportsman 325 ACE EFI		325	1	2015-		0.8	MR7F	95897			
Sportsman 325 ACE Euro		325	1	2014-		0.8	MR7F	95897			
Sportsman 325 ACE HD		325	1	2015-		0.8	MR7F	95897			
Sportsman 325 ETX EFI		325	1	2015-		0.8	MR7F	95897			
Sportsman 325 ETX EFI MD		325	1	2015-		0.8	MR7F	95897			
Trail Boss 325 4x2		325	1	-2002		0.9	BKR6E	6962		BKR6EIX	6418
Xpedition 325 4x4		325	1	-2002		0.8	BKR6E	6962		BKR6EIX	6418
Magnum 325 4x2	HDS	330	1	2003-		0.8	BKR6E	6962		BKR6EIX	6418
Magnum 330 4x4	HDS	330	1	2003-2006		0.8	BKR6E	6962		BKR6EIX	6418
Trail Boss 330		330	1	2005-		0.6	BKR6ES	3783		BKR6EIX	6418
Trail Boss 330 4x2		330	1	2003-		0.8	BKR6E	6962		BKR6EIX	6418
Sportsman 4x4		335	1	-2000		0.7	BKR7E	6097		BKR7EIX	2667
350L		350	1	1993-1993		0.6	BR8ES	5422	Q207	BR8EIX	5044
350 L Big Boss		350	1	1993-		0.6	BR8ES	5422	Q207	BR8EIX	5044
350L Trail Boss		350	1	1990-1992		0.6	BR8ES	5422	Q207	BR8EIX	5044
350 Trail Boss EC35		350	1	1990-		0.5	BR8ES	5422	Q207	BR8EIX	5044
Euro 350L		350	1	1993-1993		0.6	BR8ES	5422	Q207	BR8EIX	5044
Euro Trail Boss 350		350	1	1992-1992		0.6	BR8ES	5422	Q207	BR8EIX	5044
Sportsman 350		350	1	1993-1994		0.6	BR8ES	5422	Q207	BR8EIX	5044
400L		400	1	1994-1996		0.6	BR8ES	5422	Q207	BR8EIX	5044
Big Boss 400L		400	1	1995-1998		0.7	BR8ES	5422	Q207	BR8EIX	5044
Norwegian 400L		400	1	1994-1994		0.6	BR8ES	5422	Q207	BR8EIX	5044
Norwegian 400L		400	1	1996-1996		0.6	BR8ES	5422	Q207	BR8EIX	5044
Scrambler 400		400	1	1995-2000		0.7	BR8ES	5422	Q207	BR8EIX	5044
Sport 400 4x2		400	1	-2000		0.7	BR8ES	5422	Q207	BR8EIX	5044
Sport 400L		400	1	1994-1997		0.6	BR8ES	5422	Q207	BR8EIX	5044
Sportman 400 4x4		400	1	2003-		0.6	BKR5E	7938		BKR5EIX	6341
Sportsman 400		400	1	1995-1997		0.7	BR8ES	5422	Q207	BR8EIX	5044
Swedish 400L		400	1	1994-1994		0.6	BR8ES	5422	Q207	BR8EIX	5044
Trail Blazer 400 4x2		400	1	2003-		0.7	BR8ES	5422	Q207	BR8EIX	5044
Xplorer 400		400	1	1995-2000		0.7	BR8ES	5422	Q207	BR8EIX	5044
Xpress 400		400	1	1996-1998		0.7	BR8ES	5422	Q207	BR8EIX	5044
Expedition 425 EH42		425	1	2001-		0.6	BKR5E	7938		BKR5EIX	6341
Magnum 425		425	1	1995-1995		0.6	BKR6E	6962		BKR6EIX	6418
Magnum 425		425	1	1996-1998		0.6	BKR5E	7938		BKR5EIX	6341
Norwegian Magnum 425		425	1	1995-1995		0.6	BKR6E	6962		BKR6EIX	6418
Norwegian Magnum 425		425	1	1996-1996		0.6	BKR5E	7938		BKR5EIX	6341
Ranger 425 EH42		425	1	2002-		0.6	BKR5E	7938		BKR5EIX	6341
Sportsman 425		425	1	2001-2004		0.6	BKR5E	7938		BKR5EIX	6341
Swedish Magnum 425		425	1	1995-1995		0.6	BKR6E	6962		BKR6EIX	6418
Swedish Magnum 425		425	1	1996-1997		0.6	BKR5E	7938		BKR5EIX	6341
Xpedition 425 4x4		425	1	-2000		0.6	BKR5E	7938		BKR5EIX	6341
450 HO 2x4 MD		450	1	2016-		0.8	MR7F	95897			
Sportsman 450 EH 460		450	1	2006-		0.8	CR8E	4854	Q226	CR8EIX	4218

\* Bitte Elektrodenabstand nach Angaben des Herstellers justieren

\* Please adjust the ground electrode gap

\* Veuillez vérifier l'écartement

\* Por favor, ajustar la distancia entre los electrodos

\* Regolare il gap

\*\* Iridium IX Spark Plug is the standard recommendation



Stock No.

Quick No.

Upgrade ↑

Stock No. ↑

**POLARIS**

<b>Sportsman 450 EPS Quad</b>		450	1	2016-		0.8	MR7F	95897			
<b>Sportsman 450 HO</b>		450	1	2016-		0.8	MR7F	95897			
<b>Sportsman 450 Tractor</b>		450	1	2016-		0.8	MR7F	95897			
<b>500 Big Boss</b>		500	1	1998-2000		0.7	BKR5E	7938		BKR5EIX	6341
<b>500 Pro ATV 4x4 PPS</b>	C02CD50AC	500	1	2002-2002		0.6	BKR5E	7938		BKR5EIX	6341
<b>ATP 500</b>		500	1	2005-		0.6	BKR6ES	3783		BKR6EIX	6418
<b>LUH 6x6 PSS</b>	C02CL50AB	500	1	2002-2002		0.6	BKR5E	7938		BKR5EIX	6341
<b>Magnum 500 4x4</b>	HDS	500	1	2000-		0.7	BKR5E	7938		BKR5EIX	6341
<b>Predator 500 4x2</b>		500	1	2003-		0.8	DCPR8E	4339		DCPR8EIX	6546
<b>Ranger 500 4x4</b>		500	1	2002-		0.7	BKR5E	7938		BKR5EIX	6341
<b>Ranger 500 6x6</b>		500	1	1999-		0.7	BKR5E	7938		BKR5EIX	6341
<b>Scrambler 500</b>		500	1	1997-		0.7	BKR5E	7938		BKR5EIX	6341
<b>Scrambler 500 4x4</b>		500	1	2010-		0.9	BKR6E	6962		BKR6EIX	6418
<b>Sportsman 500</b>		500	1	1996-2005		0.6	BKR5E	7938		BKR5EIX	6341
<b>Sportsman 500 4x4</b>	RSE	500	1	2000-		0.7	BKR5E	7938		BKR5EIX	6341
<b>Sportsman 500 6x6</b>		500	2	2000-		0.7	BKR5E	7938		BKR5EIX	6341
<b>Sportsman 500 6x6</b>		500	2	2005-		0.6	BKR6ES	3783		BKR6EIX	6418
<b>Task Force Utility EH50</b>		500	1	2002-		0.6	BKR5E	7938		BKR5EIX	6341
<b>Xplorer 50</b>		500	1	1997-1998		0.6	BKR5E	7938		BKR5EIX	6341
<b>550 XP</b>		550	1	2009-		0.9	LZKAR7A	6799			
<b>ACE 570 EFI Euro</b>		570	1	2016-		0.8	MR7F	95897			
<b>ACE 570 EFI HD</b>		570	1	2016-		0.8	MR7F	95897			
<b>ACE 570 EFI MD</b>		570	1	2016-		0.8	MR7F	95897			
<b>Sportsman 570 ACE EFI</b>		570	1	2015-		0.8	MR7F	95897			
<b>Sportsman 570 ACE Euro</b>		570	1	2015-		0.8	MR7F	95897			
<b>Sportsman 570 ACE HD</b>		570	1	2015-		0.8	MR7F	95897			
<b>Sportsman 570 EFI</b>		570	1	2014-2016		0.8	MR7F	95897			
<b>Sportsman 570 EFI EPS</b>		570	1	2014-		0.8	MR7F	95897			
<b>Sportsman 570 EFI EPS Forest</b>		570	1	2014-		0.8	MR7F	95897			
<b>Sportsman 570 EFI EPS Forest Quad</b>		570	1	2015-		0.8	MR7F	95897			
<b>Sportsman 570 EFI EPS MD</b>		570	1	2015-		0.8	MR7F	95897			
<b>Sportsman 570 EFI HD</b>		570	1	2014-2016		0.8	MR7F	95897			
<b>Sportsman 570 EFI MD</b>		570	1	2015-2016		0.8	MR7F	95897			
<b>Sportsman 570 EFI Touring EU</b>		570	1	2015-		0.8	MR7F	95897			
<b>Sportsman 570 EFI UTE HD</b>		570	1	2015-2016		0.8	MR7F	95897			
<b>Sportsman 570 EFI UTE HD EPS</b>		570	1	2014-		0.8	MR7F	95897			
<b>Sportsman 570 EFI UTE MD</b>		570	1	2016-		0.8	MR7F	95897			
<b>Sportsman 570 EFI UTE Tractor</b>		570	1	2016-		0.8	MR7F	95897			
<b>Sportsman 570 EFI X2 EPS</b>		570	1	2015-2016		0.8	MR7F	95897			
<b>Sportsman 570 EFI X2 EPS Europe</b>		570	1	2015-		0.8	MR7F	95897			
<b>Sportsman 570 EPS Quad</b>		570	1	2016-		0.8	MR7F	95897			
<b>Sportsman 570 EPS UTE Quad</b>		570	1	2016-		0.8	MR7F	95897			
<b>Sportsman 570 Forest</b>		570	1	2014-		0.8	MR7F	95897			
<b>Sportsman 570 HD</b>		570	1	2015-		0.8	MR7F	95897			
<b>Sportsman 570 SP</b>		570	1	2015-2016		0.8	MR7F	95897			

\* Bitte Elektrodenabstand nach Angaben des Herstellers justieren

\* Please adjust the ground electrode gap

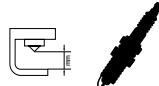
\* Veuillez vérifier l'écartement

\* Por favor, ajustar la distancia entre los electrodos

\* Regolare il gap

\* Iridium IX Spark Plug is the standard recommendation





Stock No.

Quick No.

Upgrade ↑

Stock No. ↑

**POLARIS**

Sportsman 570 SP EPS	570	1	2015-2016	0.8	MR7F	95897			
Sportsman 570 SP EPS Quad	570	1	2015-2016	0.8	MR7F	95897			
Sportsman 570 SP EPS Tractor	570	1	2015-2016	0.8	MR7F	95897			
Sportsman 570 SP MD	570	1	2015-2016	0.8	MR7F	95897			
Sportsman 570 SP Touring	570	1	2015-	0.8	MR7F	95897			
Sportsman 570 Touring EFI	570	1	2014-	0.8	MR7F	95897			
Sportsman 570 Touring EFI	570	1	2015-2016	0.8	MR7F	95897			
Sportsman 570 Touring EFI EPS MD - R01	570	1	2016-	0.8	MR7F	95897			
Sportsman 570 Touring EFI INTL	570	1	2014-	0.8	MR7F	95897			
Sportsman 570 Touring EFI MD	570	1	2015-	0.8	MR7F	95897			
Sportsman 570 Touring EPS	570	1	2015-2016	0.8	MR7F	95897			
Sportsman 570 Touring Quad EPS	570	1	2016-	0.8	MR7F	95897			
Sportsman 570 Touring Tractor EFI EPS	570	1	2016-	0.8	MR7F	95897			
Sportsman 570 Tractor	570	1	2016-	0.8	MR7F	95897			
Sportsman 600 4x4	600	2	2003-2005	0.7	BKR7E	6097		BKR7EIX	2667
Ranger 700 4x4	700	2	2006-	0.7	BKR7E	6097		BKR7EIX	2667
Ranger 700 6x6	700	2	2006-	0.7	BKR7E	6097		BKR7EIX	2667
Sportsman 700 4x4	700	2	2002-2005	0.7	BKR7E	6097		BKR7EIX	2667
Sportsman 800 4x4	800	2	2005-	0.7	BKR7E	6097		BKR7EIX	2667
900 XP	850	2	2009-	0.9	LZKAR7A	6799			
Sportsman 800 Touring	850	2	2010-	0.9	LZKAR7A	6799			
900 ACE EFI EPS	900	2	2016-	0.8	MR7F	95897			

**PUZEY**

Madix 125	125		2013-	0.7	DR8EA	7162		DR8EIX	6681
-----------	-----	--	-------	-----	-------	------	--	--------	------

**QUADZILLA**

Buzz	50	1	-	0.7	BPR7HS	6422		BPR7HIX	5944
M 100	100	1	-	0.6	BP7HS	5111		BPR7HIX	5944
ProShark	100	1	-	0.7	BP8ES	2912		BPR8EIX	6684
ProShark E	100	1	-	0.8	BR8HSA	5539			
ProShark Type R	100	1	-	0.7	BP8ES	2912		BPR8EIX	6684
R 100	100	1	-	0.7	BPR7HS	6422		BPR7HIX	5944
X 100	100	1	-	0.7	BP8ES	2912		BPR8EIX	6684
X 100	100	1	-	0.8	BR8HSA	5539			
R 170 E	165		-	0.7	DR8EA	7162		DR8EIX	6681
200 E 4cross	200	2	-	0.7	DR8EA	7162		DR8EIX	6681
ST 200 E	200	2	-	0.7	CR7HSA	4549		CR7HIX	7544
PGO 250 E Bugrider	250	2	-	0.9	DPR7EA-9	5129	Q220	DPR7EIX-9	7803
R 250 E Stinger	250	2	-	0.7	CR8HS	7423		CR8HIX	7669
R 250 E Triple Disc	250	2	-	0.7	CR8HS	7423		CR8HIX	7669
XRV 250	250	2	-	0.9	DPR7EA-9	5129	Q220	DPR7EIX-9	7803
300 E SUV	300	2	-	0.7	DR8EA	7162		DR8EIX	6681
XLC 500	500	2	-2008	0.9	DCPR8E	4339		DCPR8EIX	6546
XLC 500	500	2	-2008	0.9	DCR8EIX**	3606			
RS 7	700	2	-2010	0.8	CR6E	6965			
RS 8	750	2	-2011	0.8	CR6E	6965			

\*Bitte Elektrodenabstand nach Angaben des Herstellers justieren

\*Please adjust the ground electrode gap

\*Veuillez vérifier l'écartement

\* Por favor, ajustar la distancia entre los electrodos

\*Regolare il gap

\*\* Iridium IX Spark Plug is the standard recommendation





Stock No.

Quick No.

Upgrade ↑

Stock No. ↑

**QUANTUM**

Dingo		150	1	-		0.6	C7HSA	4629		CR7HIX	7544
Falcon		150	1	-		0.6	C7HSA	4629		CR7HIX	7544
NF 500 L		500	2	-		0.7	BKR6E	6962		BKR6EIX	6418

**SACHS**

4Rock 50		50	1	2006-		0.7	BPR7HS	6422		BPR7HIX	5944
Little Devil 50		50	1	-		0.6	BP6HS	4511		BPR6HIX	4085
T-Rex 50		50	1	2006-		0.6	BPR7HS	6422		BPR7HIX	5944
Helix 100		100	1	2006-		0.6	BPR7HS	6422		BPR7HIX	5944
T-Rex 100		100	1	2006-		0.6	BPR7HS	6422		BPR7HIX	5944
4Rock 110		110	1	2006-		0.7	BPR7HS	6422		BPR7HIX	5944
4Rock 150		150	1	2006-		0.7	C7HSA	4629		CR7HIX	7544
Helix 150		150	1	2006-		0.6	C7HSA	4629		CR7HIX	7544
4Rock 250		250	1	2006-		0.7	CR8HS	7423		CR8HIX	7669

**SKYTEAM**

LX 50ST-C		50	1	-		0.6	CR7HSA	4549		CR7HIX	7544
ST 200 Quad		200	1	-		0.7	DR8EA	7162		DR8EIX	6681

**SMC**

UR 50		50	1	-		0.6	BPR7HS	6422		BPR7HIX	5944
Blast 170		170	1	-		0.7	DR8EA	7162		DR8EIX	6681
CFS 170		170	1	-		0.6	CR7HSA	4549		CR7HIX	7544
CRS 170		170	1	-		0.6	CR7HSA	4549		CR7HIX	7544
Discovery 200		200	1	-		0.6	CR7HSA	4549		CR7HIX	7544
Explorer Discovery 200		200	1	-		0.6	CR7HSA	4549		CR7HIX	7544
CBW 250E		250	1	-		0.7	CR8HS	7423		CR8HIX	7669
Explorer Stinger 250		250	1	-		0.6	CR7HSA	4549		CR7HIX	7544
Explorer Tomahawk 250		250	1	-		0.6	CR7HSA	4549		CR7HIX	7544
Stinger 250		250	1	-		0.6	CR7HSA	4549		CR7HIX	7544
Tomahawk 250		250	1	-		0.6	CR7HSA	4549		CR7HIX	7544
CEE 300		300	1	-		0.6	CR7HSA	4549		CR7HIX	7544
JOE 300		300	1	-		0.9	DPR7EA-9	5129	Q220	DPR7EIX-9	7803
Argon 700		700	1	-		0.6	CR7E	4578	Q225	CR7EIX	7385
Explorer Argon 700		700	1	-		0.6	CR7E	4578	Q225	CR7EIX	7385

**STORM**

Panther		110		-		0.6	CR7HSA	4549		CR7HIX	7544
---------	--	-----	--	---	--	-----	--------	------	--	--------	------

**SUZUKI**

LT 50 4x2	AA11A	50	1	-	Constr.Code X / Y	0.7	BPR4HS	7823			
LT 50 4x2	AA11A	50	1	1986-1988	Constr.Code G / H / J	0.7	BP4HS	3611			
LT-A 50 4x2	AA123	50	1	2001-	Constr.Code K1	0.7	BPR4HS	7823			
LT-Z 50	AZ413	50	1	2005-2007	Constr.Code K5 / K6 / K7	0.7	CR6HSA	2983		CR6HIX	7274
LT-Z 50	AZ414	50	1	2008-	Constr.Code K8	0.7	CR6HSA	2983		CR6HIX	7274
LT 80	AC11A	80	1	2008-		0.7	BPR7HS	6422		BPR7HIX	5944
LT 80 4x2		80	1	1990-	Constr.Code L/M/N/P/R/S/T/W/X/Y	0.7	BPR7HS	6422		BPR7HIX	5944
LT 160 E		160	1	-1992	Constr.Code N	0.7	D7EA	7912		DR7EIX	5686
LT 160 E		160	1	1993-	Constr.Code P	0.9	DPR7EA-9	5129	Q220	DPR7EIX-9	7803
LT 160 F		160	1	1993-	Constr.Code P	0.9	DP7EA-9	5629		DPR7EIX-9	7803
LT-F 160	AG43A	160	1	1995-	Constr.Code S	0.9	DP7EA-9	5629		DPR7EIX-9	7803
LT 230 E		230	1	-		0.7	DR7ES	3123		DR7EIX	5686

\* Bitte Elektrodenabstand nach Angaben des Herstellers justieren

\* Please adjust the ground electrode gap

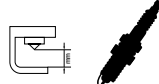
\* Veuillez vérifier l'écartement

\* Por favor, ajustar la distancia entre los electrodos

\* Regolare il gap

\* Iridium IX Spark Plug is the standard recommendation





Stock No.

Quick No.

Upgrade ↑

Stock No. ↑

**SUZUKI**

LT 230 E		230	1	1993-	Constr.Code P	0.7	D7EA	7912		DR7EIX	5686
LT 230 F		230	1	-		0.7	DR7ES	3123		DR7EIX	5686
LT 230 GE		230	1	-		0.7	D7EA	7912		DR7EIX	5686
LT 250 4x4	AJ4AA	250	1	-1994	Constr.Code R	0.7	DR7ES	3123		DR7EIX	5686
LT 250 E	AJ4AA	250	1	1993-	Constr.Code P	0.7	D8EA	2120	Q216	DR8EIX	6681
LT 250 EF	AJ4AA	250	1	-		0.7	DR8ES-L	2923	Q218	DR9EIX	4772
LT 250 EF	AJ4AA	250	1	1993-	Constr.Code P	0.7	D8EA	2120	Q216	DR8EIX	6681
LT 250 R	AJ4AA	250	1	-		*	BR8EIX**	5044			
LT 250 R	AJ4AA	250	1	1993-	Constr.Code P	0.6	BR9EIX**	3981			
LT 250 S	AJ4AA	250	1	-		0.9	DPR7EA-9	5129	Q220	DPR7EIX-9	7803
LT-F 250		250	1	-1994	Constr.Code R	0.7	DR7ES	3123		DR7EIX	5686
LT-F 250		250	1	1993-	Constr.Code P	0.7	DR7ES	3123		DR7EIX	5686
LT-F 250		250	1	1995-	Constr.Code S	0.6	D7EA	7912		DR7EIX	5686
LT-F 250 4WD 4x4		250	1	-		0.7	DR7ES	3123		DR7EIX	5686
LT-F 250 Ozark 4x2		250	1	2002-	Constr.Code K2	0.8	DR7EA	7839		DR7EIX	5686
LT-280 4WD		280	1	1995-	Constr.Code S	0.6	DR7EA	7839		DR7EIX	5686
LT- 280 4WDX		280	1	1995-	Constr.Code S	0.6	D7EA	7912		DR7EIX	5686
LT 280 4x4		280	1	1995-	Constr.Code S	0.6	DR7EA	7839		DR7EIX	5686
LT-280 F4WD		280	1	1995-	Constr.Code S	0.6	DR7EA	7839		DR7EIX	5686
LT-280 F4WDX		280	1	1993-1994	Constr.Code P / R	0.7	DR7ES	3123		DR7EIX	5686
LT-F 280 4x4		280	1	1995-	Constr.Code S	0.6	DR7EA	7839		DR7EIX	5686
LT-F 280 X 4x4		280	1	1993-	Constr.Code P	0.7	DR7ES	3123		DR7EIX	5686
LT-F 280 X 4x4		280	1	1995-	Constr.Code S	0.6	D7EA	7912		DR7EIX	5686
LT-300		300	1	1987-1989	Constr.Code H / J / K	0.6	D8EA	2120	Q216	DR8EIX	6681
LT-F 300		300	1	1999-	Constr.Code X	0.6	D7EA	7912		DR7EIX	5686
LT 400 KingQuad		400	1	2008-	Constr.Code K8	0.8	CR7E	4578	Q225	CR7EIX	7385
LT-A 400		400	1	2002-	Constr.Code K2	0.6	CR7E	4578	Q225	CR7EIX	7385
LT-A 400F		400	1	2002-	Constr.Code K2	0.6	CR7E	4578	Q225	CR7EIX	7385
LT-A 400 F Auto 4x4		400	1	2002-	Constr.Code K2	0.7	CR7E	4578	Q225	CR7EIX	7385
LT-F 400		400	1	2002-	Constr.Code K2	0.6	CR7E	4578	Q225	CR7EIX	7385
LT-F 400F		400	1	2002-	Constr.Code K2	0.6	CR7E	4578	Q225	CR7EIX	7385
LT-F 400 F Méca 4x4		400	1	2002-	Constr.Code K2	0.7	CR7E	4578	Q225	CR7EIX	7385
LT-Z 400	AK47A	400	1	2002-	Constr.Code K2	0.8	CR8E	4854	Q226	CR8EIX	4218
LT-Z 400		400	1	2002-	Constr.Code K2	0.6	CR7E	4578	Q225	CR7EIX	7385
LT-Z 400 QuadSport	AK47A	400	1	2008-	Constr.Code K8	0.8	CR7E	4578	Q225	CR7EIX	7385
LT-A 450 X	AL42A	450	1	2007-2010		0.9	CR6EIA-9	7967			
LT-R 450 KingQuad	AL43A	450	1	2008-	Constr.Code K8	0.8	CR8EB	7784			
LT-A 500F		500	1	2000-	Constr.Code Y	0.6	CR6E	6965			
LT-A 500 F Auto 4x4		500	1	2001-	Constr.Code K1	0.7	CR6E	6965			
LT-A 500 X		500	1	2011-		0.9	CR6EIA-9	7967			
LT-A 500 XP		500	1	2009-		0.9	CR6EIA-9	7967			
LT-F 500		500	1	1998-1999	Constr.Code W / X	0.6	CR7E	4578	Q225	CR7EIX	7385
LT-F 500 Méca 4x4		500	1	2001-	Constr.Code K1	0.7	CR6E	6965			
LT-A 700 X		700	1	2006-2008	49hp	0.9	CR6EIA-9	7967			
LT-A 700 X KinsQuad		700	1	2005-2005	49hp	0.9	CR6EIA-9	7967			
LT-V 700 F Twin Peaks 4x4		700	1	2005-2005		0.9	CR6EIA-9	7967			
LT-A 750 X	AR41A	750	1	2009-2012	46hp	0.9	CR6EIA-9	7967			
LT-A 750 X	AR41A	750	1	2014-	46hp	0.9	CR6EIA-9	7967			
LT-A 750 X KingQuad		750	1	2008-2008	Constr.Code K8	0.7	CR6E	6965			
LT-A 750 XP	AR41P	750	1	2009-2015		0.9	CR6EIA-9	7967			

\* Bitte Elektrodenabstand nach Angaben des Herstellers justieren

\* Please adjust the ground electrode gap

\* Veuillez vérifier l'écartement

\* Por favor, ajustar la distancia entre los electrodos

\* Regolare il gap

\*\* Iridium IX Spark Plug is the standard recommendation





Stock No.

Quick No.

Upgrade ↑

Stock No. ↑

**SYM**

<b>Track Runner 200</b>		200	1	2006-		0.8	CR8HSA	2086		CR8HIX	7669
<b>Quad Lander 250</b>		250	1	2006-		0.8	CR8HSA	2086		CR8HIX	7669
<b>Quad Lander 300</b>		300	1	-		0.7	CR8E	4854	Q226	CR8EIX	4218
<b>Quad Lander 300s</b>	UA30A	300	1	-	20hp	0.8	CR8E	4854	Q226	CR8EIX	4218
<b>600 XP</b>		500	1	2004-		0.6	CR7EKB	4455			
<b>Quad Lander 600</b>		600	1	-		0.7	CR8E	4854	Q226	CR8EIX	4218
<b>Quad Raider 600 LE</b>		600	1	-		0.7	CR8E	4854	Q226	CR8EIX	4218
<b>Quad Raider 600s</b>	UA60A	600	1	-		0.8	CR8E	4854	Q226	CR8EIX	4218

**TGB**

<b>Hornet 90</b>		90	1	-		0.7	BPR7HS	6422		BPR7HIX	5944
<b>Blade 250 E</b>		250	1	2008-		0.7	CR8E	4854	Q226	CR8EIX	4218

**TRAILBLAZER**

<b>50</b>		50	1	-		0.7	BP7HS	5111		BPR7HIX	5944
<b>Mini</b>		50	1	-		0.7	BPR7HS	6422		BPR7HIX	5944
<b>90</b>		90	1	-		0.7	BP7HS	5111		BPR7HIX	5944
<b>90</b>		90	1	-		0.7	CR7HSA	4549		CR7HIX	7544
<b>170</b>		170	1	2004-		0.7	DR8EA	7162		DR8EIX	6681
<b>250</b>		250	2	-		0.8	CR8HSA	2086		CR8HIX	7669

**TRAILSPOUR**

<b>TS-500</b>		500	1	2004-	5hp	0.6	BR2-LM	5798			
<b>TSB-600</b>		600	1	2004-	6hp	0.6	BR2-LM	5798			

**TRITON**

<b>Baja 300 Limited</b>		280	1	-		0.9	DPR7EA-9	5129	Q220	DPR7EIX-9	7803
<b>Baja 300 R</b>		280	1	-		0.9	DPR7EA-9	5129	Q220	DPR7EIX-9	7803
<b>Outback 300</b>		280	1	-		0.9	DPR7EA-9	5129	Q220	DPR7EIX-9	7803
<b>Outback 300 White Desert</b>		280	1	-		0.9	DPR7EA-9	5129	Q220	DPR7EIX-9	7803

**UNILLI**

<b>KX 150</b>		150	1	2005-		0.6	CR7E	4578	Q225	CR7EIX	7385
---------------	--	-----	---	-------	--	-----	------	------	------	--------	------

**UNISOM**

<b>Desert-Cat 50</b>		50	1	2004-		0.6	BR8HS	4915	Q212	BR8HIX	7001
<b>Desert-Cat 90</b>		90	1	2004-		0.6	BR8HS	4915	Q212	BR8HIX	7001

**UNITED MOTORS**

<b>Dirt Squirt 50</b>		50	1	-		0.6	BR8HS	4915	Q212	BR8HIX	7001
<b>Monntrax 50</b>		50	1	-		0.8	BPR7HS	6422		BPR7HIX	5944
<b>Dirt Squirt 90</b>		90	1	-		0.6	BR8HS	4915	Q212	BR8HIX	7001
<b>Earthlander 90</b>		90	1	-		0.8	BPR7HS	6422		BPR7HIX	5944
<b>Moontrax 90</b>		90	1	-		0.6	BPR7HS	6422		BPR7HIX	5944
<b>Reptile 90</b>		90	1	-		0.7	C7HSA	4629		CR7HIX	7544

**VENTO**

<b>Avalanche EX 100</b>		100	1	-		0.7	BPR6HS	7022		BPR6HIX	4085
<b>Rhino 250</b>		250		-		0.7	DR8EA	7162		DR8EIX	6681

**VINSON**

<b>ETV 4T</b>		150	1	-		0.6	C7HSA	4629		CR7HIX	7544
<b>ETV 4T</b>		250	2	-		0.6	C7HSA	4629		CR7HIX	7544

**XING FU**

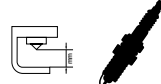
<b>XF Trail 150</b>		150	1	-		0.6	C7HSA	4629		CR7HIX	7544
---------------------	--	-----	---	---	--	-----	-------	------	--	--------	------

\* Bitte Elektrodenabstand nach Angaben des Herstellers justieren  
 \* Please adjust the ground electrode gap  
 \* Veuillez vérifier l'écartement

\* Por favor, ajustar la distancia entre los electrodos  
 \* Regolare il gap  
 \* Iridium IX Spark Plug is the standard recommendation







Stock No.

Quick No.

Upgrade ↑

Stock No. ↑

**XING FU**

XF Trail 250		250	2	-		0.6	C7HSA	4629		CR7HIX	7544
--------------	--	-----	---	---	--	-----	-------	------	--	--------	------

**YAMAHA**

YFM 50 RV		50	1	2006-		0.7	CR7HSA	4549		CR7HIX	7544
YFM 50 RX		50	1	2006-		0.7	CR7HSA	4549		CR7HIX	7544
YFM 50 S		50	1	2004-		0.7	CR7HS	7223		CR7HIX	7544
YFZ 50		50	1	2016-	OHC	1.0	CR6HSA	2983		CR6HIX	7274
YF 60	1HN	60	1	1987-		0.7	BPR6HS	7022		BPR6HIX	4085
YF 60 S		60	1	1986-		0.7	BP6HS	4511		BPR6HIX	4085
YT 60 L		60	1	1984-		0.6	BP6HS	4511		BPR6HIX	4085
YT 60 N Tri-Zinger		60	1	1984-		0.6	BP6HS	4511		BPR6HIX	4085
YFM 80		80	1	-		0.7	CR7HS	7223		CR7HIX	7544
YFM 80 E		80	1	1993-		0.7	C7HSA	4629		CR7HIX	7544
YFM 80 F		80	1	1993-		0.7	C7HSA	4629		CR7HIX	7544
YFM 80 Grizzly		80	1	2008-		0.7	CR7HSA	4549		CR7HIX	7544
YFM 80 RV	5THG	80	1	2006-		0.7	CR7HSA	4549		CR7HIX	7544
YFM 80 S		80	1	1985-		0.6	CR7HSA	4549		CR7HIX	7544
YFM 80 T		80	1	1985-		0.6	CR7HSA	4549		CR7HIX	7544
YFM 80 W 4x2		80	1	2002-		0.7	CR7HSA	4549		CR7HIX	7544
YFM 90 Raptor		90	1	2009-		0.8	CR7HSA	4549		CR7HIX	7544
YFM 100 T Champ, U Champ		100	1	1987-		0.7	CR7HSA	4549		CR7HIX	7544
YFA1 125 Breeze	3FA	125	1	1989-		0.7	CR7HS	7223		CR7HIX	7544
YFA1 125 F	3FA	125	1	1994-		0.7	C7HSA	4629		CR7HIX	7544
YFA 125 Breeze 4x2		125	1	1996-		0.7	CR7HSA	4549		CR7HIX	7544
YFM 125 A	AE02W	125	1	2007-		0.8	CR7HSA	4549		CR7HIX	7544
YFM 125 G	AE02W	125	1	2009-		0.8	CR7HSA	4549		CR7HIX	7544
YFM 125 GHX	AE02W	125	1	2008-		0.7	CR7HSA	4549		CR7HIX	7544
YFM 125 Grizzly	AE02W	125	1	2004-2014	9hp	0.8	CR7HSA	4549		CR7HIX	7544
YFM 125 GX	AE02W	125	1	2008-		0.7	CR7HSA	4549		CR7HIX	7544
YT 125		125	1	-		0.8	BP6ES	7811		BPR6EIX	6637
YT 125 CH		125	1	-		0.8	BP6ES	7811		BPR6EIX	6637
YT 125 G		125	1	1980-1984		0.8	BP6ES	7811		BPR6EIX	6637
YT 125 H		125	1	1980-1984		0.8	BP6ES	7811		BPR6EIX	6637
YT 125 J		125	1	1980-1984		0.8	BP6ES	7811		BPR6EIX	6637
YT 125 K		125	1	1980-1984		0.8	BP6ES	7811		BPR6EIX	6637
YT 125 L		125	1	1980-1984		0.8	BP6ES	7811		BPR6EIX	6637
YT 125 N		125	1	1985-		0.6	BP5ES	6511		BPR5EIX	6597
YZ 125 Grizzly	1C5K	125	1	2008-		0.7	CR7HSA	4549		CR7HIX	7544
YT 175		175	1	-		0.8	BPR7ES	2023		BPR7EIX	4055
YT 175 J		175	1	1982-		0.8	BPR7ES	2023		BPR7EIX	4055
YT 175 K		175	1	1982-		0.6	BPR7ES	2023		BPR7EIX	4055
YFM 200	59V	200	1	-		0.7	DR7ES	3123		DR7EIX	5686
YFM 200	2HT	200	1	-		0.7	DR7ES	3123		DR7EIX	5686
YFM 200	52H	200	1	1985-		0.7	DR7ES	3123		DR7EIX	5686
YFM 200		200	1	1992-		0.6	D7EA	7912		DR7EIX	5686
YFM 200 DX		200	1	-		0.7	DR7ES	3123		DR7EIX	5686
YFM 200 DXS		200	1	1986-		0.6	D7EA	7912		DR7EIX	5686
YFM 200 DXT		200	1	1986-		0.6	D7EA	7912		DR7EIX	5686
YFM 200 N		200	1	-		0.7	D7EA	7912		DR7EIX	5686
YFM 200 S		200	1	1986-		0.6	D7EA	7912		DR7EIX	5686
YFS 200 Blaster		200	1	1990-2007		0.7	BR8ES	5422	Q207	BR8EIX	5044
YFS 200 E		200	1	1993-		0.8	B8ES	2411	Q201	BR8EIX	5044

\*Bitte Elektrodenabstand nach Angaben des Herstellers justieren

\*Please adjust the ground electrode gap

\*Veuillez vérifier l'écartement

\* Por favor, ajustar la distancia entre los electrodos

\*Regolare il gap

\*\* Iridium IX Spark Plug is the standard recommendation





Stock No.

Quick No.

Upgrade ↑

Stock No. ↑

**YAMAHA**

<b>YFS 200 F</b>		200	1	1993-		0.8	B8ES	2411	Q201	BR8EIX	5044
<b>YTM 200 EK</b>		200	1	1983-		0.6	D7EA	7912		DR7EIX	5686
<b>YTM 200 EL</b>		200	1	1983-		0.6	D7EA	7912		DR7EIX	5686
<b>YTM 200 ERN</b>		200	1	1983-		0.6	D7EA	7912		DR7EIX	5686
<b>YTM 200 K</b>		200	1	1983-		0.6	D7EA	7912		DR7EIX	5686
<b>YTM 200 L</b>		200	1	1983-		0.6	D7EA	7912		DR7EIX	5686
<b>YTM 200 N</b>		200	1	1983-		0.6	D7EA	7912		DR7EIX	5686
<b>TT 225</b>		225		-		0.7	DR8ES-L	2923	Q218	DR9EIX	4772
<b>YFM 225</b>	59V/2HT	225	1	1992-		0.7	DR7ES	3123		DR7EIX	5686
<b>YFM 225 S</b>		225	1	-		0.7	D7EA	7912		DR7EIX	5686
<b>YTM 225 DRN</b>		225	1	1983-		0.6	D7EA	7912		DR7EIX	5686
<b>YTM 225 DRS</b>		225	1	1983-		0.6	D7EA	7912		DR7EIX	5686
<b>YTM 225 DXK</b>		225	1	1983-		0.6	D7EA	7912		DR7EIX	5686
<b>YTM 225 DXL</b>		225	1	1983-		0.6	D7EA	7912		DR7EIX	5686
<b>YTM 225 DXN</b>		225	1	1983-		0.6	D7EA	7912		DR7EIX	5686
<b>YTM 225 DXS</b>		225	1	1983-		0.6	D7EA	7912		DR7EIX	5686
<b>YTM 225 S</b>		225	1	1983-		0.6	D7EA	7912		DR7EIX	5686
<b>YTM 225 T</b>		225	1	1983-		0.6	D7EA	7912		DR7EIX	5686
<b>YFU 230 1</b>		230	1	-1990		0.7	DR7ES	3123		DR7EIX	5686
<b>YFU 230 1 TW</b>		230	1	-1990		0.7	DR7ES	3123		DR7EIX	5686
<b>YFB 250 E</b>		250	1	1993-		0.7	D7EA	7912		DR7EIX	5686
<b>YFB 250 F</b>		250	1	1993-		0.7	D7EA	7912		DR7EIX	5686
<b>YFB 250 FW</b>		250	1	1994-		0.7	DR7EA	7839		DR7EIX	5686
<b>YFB 250 FWF</b>		250	1	1993-		0.7	D7EA	7912		DR7EIX	5686
<b>YFB 250 Timberwolf 4x2</b>		250	1	-1999		0.7	DR7EA	7839		DR7EIX	5686
<b>YFM 250</b>	3GH	250	1	1990-		0.7	DR7ES	3123		DR7EIX	5686
<b>YFM 250 4x2</b>		250	1	1990-		0.7	DR7ES	3123		DR7EIX	5686
<b>YFM 250 Big Bear</b>	AG01W	250	1	2007-2011	18hp	0.7	DR7EA	7839		DR7EIX	5686
<b>YFM 250 Big Bear Raptor</b>		250	1	2008-		0.7	DR7EA	7839		DR7EIX	5686
<b>YFM 250 Bruin</b>	1P02/1P03	250	1	2005-		0.6	DR7EA	7839		DR7EIX	5686
<b>YFM 250 R</b>		250	1	2008-		0.7	DR7EA	7839		DR7EIX	5686
<b>YFM 250 Raptor</b>		250	1	2012-		0.7	DR7EA	7839		DR7EIX	5686
<b>YFM 250 Timberwolf</b>		250	1	-		0.7	DR7EA	7839		DR7EIX	5686
<b>YFM 250 X Bear Tracker</b>		250	1	2000-2004	18hp	0.7	DR7EA	7839		DR7EIX	5686
<b>YFM 250 X Bear Tracker 4x2</b>		250	1	1999-		0.7	DR7EA	7839		DR7EIX	5686
<b>YTZ 250 N</b>		250	1	1985-		0.7	B8ES	2411	Q201	BR8EIX	5044
<b>YTZ 250 S</b>		250	1	1985-		0.7	B8ES	2411	Q201	BR8EIX	5044
<b>YFM 350</b>	2HR/2HN	350	1	1992-		0.6	DR8ES-L	2923	Q218	DR9EIX	4772
<b>YFM 350 4x2</b>		350	1	1989-		0.7	DR8ES-L	2923	Q218	DR9EIX	4772
<b>YFM 350 4x4</b>	2HR	350	1	-		0.7	DR8ES-L	2923	Q218	DR9EIX	4772
<b>YFM 350 4x4</b>	3HN	350	1	-		0.7	DR8ES-L	2923	Q218	DR9EIX	4772
<b>YFM 350 Bruin</b>		350	1	2005-2006	22hp	0.7	DR8EA	7162		DR8EIX	6681
<b>YFM 350 ERF</b>		350	1	1994-		0.7	D8EA	2120	Q216	DR8EIX	6681
<b>YFM 350 ERT</b>		350	1	1987-		0.6	D8EA	2120	Q216	DR8EIX	6681
<b>YFM 350 FW</b>		350	1	1994-		0.7	DR8EA	7162		DR8EIX	6681
<b>YFM 350 FWB Big Bear 4x4</b>		350	1	-2001		0.7	DR8EA	7162		DR8EIX	6681
<b>YFM 350 FWF</b>		350	1	1994-		0.7	D8EA	2120	Q216	DR8EIX	6681
<b>YFM 350 FWT</b>		350	1	1987-		0.6	D8EA	2120	Q216	DR8EIX	6681
<b>YFM 350 FWX Wolverine 4x4</b>		350	1	-1998		0.7	DR8EA	7162		DR8EIX	6681
<b>YFM 350 Grizzly</b>		350	1	2007-	22hp	0.7	DR8EA	7162		DR8EIX	6681

\* Bitte Elektrodenabstand nach Angaben des Herstellers justieren

\* Please adjust the ground electrode gap

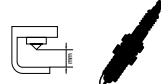
\* Veuillez vérifier l'écartement

\* Por favor, ajustar la distancia entre los electrodos

\* Regolare il gap

\* Iridium IX Spark Plug is the standard recommendation





Stock No.

Quick No.

Upgrade ↑

Stock No. ↑

**YAMAHA**

YFM 350 Grizzly 4x2		350	1	2009-		0.6	DR8EA	7162		DR8EIX	6681
YFM 350 Grizzly 4x4		350	1	2009-		0.6	DR8EA	7162		DR8EIX	6681
YFM 350 R		350	1	-		*	DR8EA	7162		DR8EIX	6681
YFM 350 Raptor		350	1	2008-		0.7	DR8EA	7162		DR8EIX	6681
YFM 350 Raptor		350	1	2012-		0.7	DR8EA	7162		DR8EIX	6681
YFM 350 R Raptor		350	1	2004-2012	27hp	0.7	DR8EA	7162		DR8EIX	6681
YFM 350 U Big Bear 4x2		350	1	-2000		0.7	DR8EA	7162		DR8EIX	6681
YFM 350 Wolverine		350	1	2008-		0.7	DR8EA	7162		DR8EIX	6681
YFM 350 XF		350	1	1994-		0.7	D8EA	2120	Q216	DR8EIX	6681
YFM 350 XT		350	1	1987-		0.6	D8EA	2120	Q216	DR8EIX	6681
YFM 350 X Warrior 4x2		350	1	1995-2003		0.7	DR8EA	7162		DR8EIX	6681
YFZ 350		350	2	1994-		0.8	BR8ES	5422	Q207	BR8EIX	5044
YFZ 350 Banshee		350	2	1986-		0.8	BR8ES	5422	Q207	BR8EIX	5044
YFZ 350 Banshee		350	2	2000-2012	46hp	0.8	BR8HS	4915	Q212	BR8HIX	7001
YFZ 350 E		350	2	1993-		0.8	B8ES	2411	Q201	BR8EIX	5044
YFZ 350 F		350	2	1993-		0.8	B8ES	2411	Q201	BR8EIX	5044
YFZ 350 T		350	2	1987-		0.7	B8ES	2411	Q201	BR8EIX	5044
YFM 400		400	1	1993-		0.7	DR8ES-L	2923	Q218	DR9EIX	4772
YFM 400 AN Kodiak 4x2		400	1	2003-2004		0.7	DR8EA	7162		DR8EIX	6681
YFM 400 Big Bear 4x4		400	1	2008-		0.6	DR8EA	7162		DR8EIX	6681
YFM 400 Big Bear 4x4		400	1	2012-		0.7	DR8EA	7162		DR8EIX	6681
YFM 400 Big Bear 4x4 Hunter		400	1	2012-		0.7	DR8EA	7162		DR8EIX	6681
YFM 400 FP		400	1	2002-2005	24hp	0.7	DR8EA	7162		DR8EIX	6681
YFM 400 FW		400	1	1994-		0.7	DR8EA	7162		DR8EIX	6681
YFM 400 FWA Kodiak		400	1	2000-		0.7	DR8EA	7162		DR8EIX	6681
YFM 400 FWA Kodiak 4x4		400	1	-2000		0.6	DR8EA	7162		DR8EIX	6681
YFM 400 FWAN Kodiak 4x2		400	1	2003-2004		0.7	DR8EA	7162		DR8EIX	6681
YFM 400 FWAN Kodiak 4X4		400	1	2003-2004		0.7	DR8EA	7162		DR8EIX	6681
YFM 400 FW Big Bear Pro 4x4		400	1	2000-		0.6	DR8EA	7162		DR8EIX	6681
YFM 400 FWF		400	1	1994-		0.7	D8EA	2120	Q216	DR8EIX	6681
YFM 400 FW Kodiak		400	1	1992-1999		0.6	DR8EA	7162		DR8EIX	6681
YFM 450		450		2008-		0.7	DR8EA	7162		DR8EIX	6681
YFM 450 Grizzly		450	1	2008-2016	26hp	0.7	DR8EA	7162		DR8EIX	6681
YFM 450 Kodiak		450	1	2018-	OHC	0.7	DR7EA	7839		DR7EIX	5686
YFM 450 Kodiak EPS		450	1	2018-	OHC	0.7	DR7EA	7839		DR7EIX	5686
YFM 450 Wolverine 4x4		450	1	2008-		0.6	DR8EA	7162		DR8EIX	6681
YFZ 450 R		450	1	2008-		0.7	CR8E	4854	Q226	CR8EIX	4218
YFZ 450 S		450	1	2006-		0.8	CR8E	4854	Q226	CR8EIX	4218
YFZ 450 V		450	1	2006-		0.8	CR8E	4854	Q226	CR8EIX	4218
YFZ 450 X		450	1	2008-		0.7	CR8E	4854	Q226	CR8EIX	4218
YFM 500		500	1	2008-		0.7	CR7HSA	4549		CR7HIX	7544
YFM 500 G		550	1	2009-		0.9	LMAR6A-9	5946			
YFM 500 Grizzly		550	1	2009-		0.9	LMAR7A-9	4908			
YFM 550 Grizzly 4x4		550	1	2011-		*	LMAR6A-9	5946			
YFM 600 FWA Grizzly 4x4		600	1	-2001		0.9	DP8EA-9	5829		DPR8EIX-9	2202
YFM 500 Grizzly		660	1	2008-		0.9	DPR8EA-9	4929	Q221	DPR8EIX-9	2202
YFM 660 FWA Grizzly 4x2		660	1	2001-		0.9	DPR8EA-9	4929	Q221	DPR8EIX-9	2202

\*Bitte Elektrodenabstand nach Angaben des Herstellers justieren

\*Please adjust the ground electrode gap

\*Veuillez vérifier l'écartement

\* Por favor, ajustar la distancia entre los electrodos

\*Regolare il gap

\*\* Iridium IX Spark Plug is the standard recommendation





Stock No.

Quick No.

Upgrade ↑

Stock No. ↑

### YERF-DOG

<b>23000</b>		90	1	2004-		0.7	BP7HS	5111		BPR7HIX	5944
<b>23100</b>		150	1	2004-		0.6	BR6ES	4922			

### ZONGSHEN

<b>ZS 125 ST</b>		125	1	2004-		0.6	BKR5E	7938		BKR5EIX	6341
<b>Shineray</b>		200	1	-		0.7	D8EA	2120	Q216	DR8EIX	6681

\* Bitte Elektrodenabstand nach Angaben des Herstellers justieren  
 \* Please adjust the ground electrode gap  
 \* Veuillez vérifier l'écartement

\* Por favor, ajustar la distancia entre los electrodos  
 \* Regolare il gap  
 \* \* Iridium IX Spark Plug is the standard recommendation







IGNITION  
PARTS



Stock No.

Quick No.

Upgrade ↑

Stock No. ↑

**AEON**

<b>Cube 300 4x2</b>		300	1	-		*	DPR7EA-9	5129	Q220	DPR7EIX-9	7803
<b>Cube 350 4x4</b>		350	1	-		*	DPR7EA-9	5129	Q220	DPR7EIX-9	7803

**APACHE**

<b>Superbug 150</b>		150	1	-		0.7	CR7HSA	4549		CR7HIX	7544
---------------------	--	-----	---	---	--	-----	--------	------	--	--------	------

**ARCTIC CAT**

<b>Prowler 500 HDX</b>	U2014P5K4C	500	1	2014-2014		0.7	CR7E	4578	Q225	CR7EIX	7385
<b>Prowler 500 HDX EFI 4x4 UTV</b>		500	1	2014-2014		0.7	CR7E	4578	Q225	CR7EIX	7385
<b>Prowler 500 HDX LTD PS EFI 4x4 UTV</b>		500	1	2014-2014		0.7	CR7E	4578	Q225	CR7EIX	7385
<b>Prowler 500 HDX XT</b>	U2014P6K4C	500	1	2014-2014		0.7	CR7E	4578	Q225	CR7EIX	7385
<b>Prowler 550 4x4 Flatbed</b>	U2009P1O4B	550	1	2009-2009		0.7	CPR8E	7411			
<b>Prowler 550 XT</b>	U2013P2O4E	550	1	2014-2014		0.7	CPR8E	7411			
<b>Prowler 550 XT EFI 4x4 UTV</b>		550	1	2012-2012		0.7	CPR8E	7411			
<b>Prowler 550 XT EFI 4x4 UTV</b>		550	1	2013-2013		0.7	CPR8E	7411			
<b>Prowler 550 XT EFI 4x4 UTV</b>		550	1	2014-2014		0.7	CPR8E	7411			
<b>Prowler 550 XT H1 EFI 4x4 UTV</b>		550	1	2010-2010		0.7	CPR8E	7411			
<b>Prowler 550 XT H1 EFI 4x4 UTV</b>		550	1	2011-2011		0.7	CPR8E	7411			
<b>Prowler 650 H1 4x4 Auto</b>	U2007P1S4BUS	650	1	2007-2007		0.7	CPR8E	7411			
<b>Prowler 650 H1 4x4 Auto</b>	U2008P1S4BUS	650	1	2008-2008		0.7	CPR8E	7411			
<b>Prowler 650 HDX LTD PS EFI 4x4 UTV</b>		650	1	2014-2014		0.7	CPR8E	7411			
<b>Prowler 650 XT 4x4 Auto</b>	U2009P2S4BUS	650	1	2009-2009		0.7	CPR8E	7411			
<b>Prowler 650 XT H1 4x4 Auto</b>	U2006P2S4BUS	650	1	2006-2006		0.7	CPR8E	7411			
<b>Prowler 650 XT H1 4x4 Auto</b>	U2007P2S4BUS	650	1	2007-2007		0.7	CPR8E	7411			
<b>Prowler XT H1 4x4 Auto</b>	U2008P2S4BUS	650	1	2008-2008		0.7	CPR8E	7411			
<b>Prowler 700 XDX</b>	U2014P5T1P	700	1	2014-2014		0.7	CPR8E	7411			
<b>Prowler 700 XDX EFI 4x4 UTV</b>		700	1	2012-2012		0.7	CPR8E	7411			
<b>Prowler 700 XDX EFI PS 4x4 UTV</b>		700	1	2013-2013		0.7	CPR8E	7411			
<b>Prowler 700 XDX H1 EFI 4x4 UTV</b>		700	1	2011-2011		0.7	CPR8E	7411			
<b>Prowler 700 XT 4x4</b>	U2009P2T4EUS	700	1	2009-2009		0.7	CPR8E	7411			
<b>Prowler 700 XTX</b>	U2014P3T1P	700	1	2014-2014		0.7	CPR8E	7411			
<b>Prowler 700 XTX 4x4</b>	U2009P3T4E	700	1	2009-2009		0.7	CPR8E	7411			
<b>Prowler 700 XTX EFI 4x4 UTV</b>		700	1	2012-2012		0.7	CPR8E	7411			
<b>Prowler 700 XTX EFI PS 4x4 UTV</b>		700	1	2013-2013		0.7	CPR8E	7411			
<b>Prowler 700 XTX H1 4x4 Auto</b>	U2008P2T4EUS	700	1	2008-2008		0.7	CPR8E	7411			
<b>Prowler 700 XTX H1 EFI 4x4 UTV</b>		700	1	2010-2010		0.7	CPR8E	7411			
<b>Prowler 700 XTX H1 EFI 4x4 UTV</b>		700	1	2011-2011		0.7	CPR8E	7411			
<b>Prowler 700 XTX LE 4x4</b>		700	1	2009-2009		0.7	CPR8E	7411			
<b>Prowler 700 XTX PS EFI 4x4 UTV</b>		700	1	2014-2014		0.7	CPR8E	7411			
<b>Wildcat Sport</b>	U2015W6T4CU	700	1	2015-2015		0.7	CR8EB	7784			
<b>Wildcat Trail</b>	U2014W5T2PU	700	1	2014-2014		0.7	CR8EB	7784			
<b>Wildcat Trail</b>	U2015W5T4CU	700	1	2015-2015		0.7	CR8EB	7784			

\*Bitte Elektrodenabstand nach Angaben des Herstellers justieren

\*Please adjust the ground electrode gap

\*Veuillez vérifier l'écartement

\* Por favor, ajustar la distancia entre los electrodos

\*Regolare il gap

\*\* Iridium IX Spark Plug is the standard recommendation





Stock No.

Quick No.

Upgrade ↑

Stock No. ↑

**ARCTIC CAT**

<b>Wildcat Trail Cat</b>		700	1	2015-2015		0.7	CR8EB	7784			
<b>Wildcat Trail XT</b>	U2014WCT4CU	700	1	2014-2014		0.7	CR8EB	7784			
<b>Wildcat Trail XT</b>	U2015WCT4CU	700	1	2015-2015		0.7	CR8EB	7784			
<b>Prowler 1000 XTZ 4x4</b>	U2009P4W4EUS	1000	2	2009-2009		0.7	CPR8E	7411			
<b>Prowler 1000 XTZ EFI 4x4 UTV</b>		1000	2	2013-2013		0.7	CPR8E	7411			
<b>Prowler 1000 XTZ EFI PS 4x4 UTV</b>	U2014P4W1P	1000	2	2014-2014		0.7	CPR8E	7411			
<b>Prowler 1000 XTZ H2 4x4</b>	U2009P4W4E	1000	2	2009-2009		0.7	CPR8E	7411			
<b>Prowler 1000 XTZ H2 4x4 Baja</b>		1000	2	2010-2010		0.7	CPR8E	7411			
<b>Prowler 1000 XTZ H2 EFI 4x4 UTV</b>		1000	2	2011-2011		0.7	CPR8E	7411			
<b>Prowler 1000 XTZ H2 EFI 4x4 UTV</b>		1000	2	2012-2012		0.7	CPR8E	7411			
<b>Prowler 1000 XTZ PS EFI 4x4 UTV</b>		1000	2	2014-2014		0.7	CPR8E	7411			
<b>Wildcat</b>	U2013W2W1P	1000	2	2013-2013		0.7	CPR8E	7411			
<b>Wildcat</b>	U2014W3W1P	1000	2	2014-2014		0.7	CPR8E	7411			
<b>Wildcat</b>	U2015W3W1P	1000	2	2015-2015		0.7	CPR8E	7411			
<b>Wildcat 4</b>	U2013W4W1P	1000	2	2013-2013		0.7	CPR8E	7411			
<b>Wildcat 4</b>	U2014W4W1P	1000	2	2014-2014		0.7	CPR8E	7411			
<b>Wildcat 4 LTD</b>	U2014WBW1P	1000	2	2014-2014		0.7	CPR8E	7411			
<b>Wildcat 4 X</b>	U2014WFW1P	1000	2	2014-2014		0.7	CPR8E	7411			
<b>Wildcat 4 X LTD</b>	U2014WGW1PUSJ	1000	2	2014-2014		0.7	CPR8E	7411			
<b>Wildcat GT</b>	U2012W2W1P	1000	2	2012-2012		0.7	CPR8E	7411			
<b>Wildcat GT</b>	U2013W2W1P	1000	2	2013-2013		0.7	CPR8E	7411			
<b>Wildcat Late Build</b>	U2013W3W1P	1000	2	2013-2013		0.7	CPR8E	7411			
<b>Wildcat LTD</b>	U2013W2W1P	1000	2	2013-2013		0.7	CPR8E	7411			
<b>Wildcat LTD</b>	U2014WAW1P	1000	2	2014-2014		0.7	CPR8E	7411			
<b>Wildcat LTD Late Build</b>	U2013W3W1P	1000	2	2013-2013		0.7	CPR8E	7411			
<b>Wildcat X</b>	U2013W3W1P	1000	2	2013-2013		0.7	CPR8E	7411			
<b>Wildcat X</b>	U2014WSW1P	1000	2	2014-2014		0.7	CPR8E	7411			
<b>Wildcat X</b>	U2015WTW1P	1000	2	2015-2015		0.7	CPR8E	7411			
<b>Wildcat X LTD</b>	U2014WTW1P	1000	2	2014-2014		0.7	CPR8E	7411			

**BOROSI**

<b>BB</b>		650	2	-		0.6	BP6ES	7811		BPR6EIX	6637
<b>BB</b>		1600	4	-		0.7	BCPR7E	1272			

**BRISTER**

<b>Brister's Chuck Wagon</b>			1	-	HONDA Engine GX340 11hp OHV	1.1	BPR6ES-11	4824		BPR6EIX-11	3903
<b>F1-25</b>			1	-	TECUMSEH 5hp OHV	0.6	BR6ES	4922			
<b>F1-265</b>			1	-	TECUMSEH 7hp OHV	0.6	BR6ES	4922			
<b>F1-265E</b>			1	-	TECUMSEH 7hp OHV	0.6	BR6ES	4922			
<b>F2-265</b>			1	-	TECUMSEH 7hp OHV	0.6	BR6ES	4922			
<b>F2-265E</b>			1	-	TECUMSEH 7hp OHV	0.6	BR6ES	4922			
<b>The Bug</b>			1	-	TECUMSEH 3hp	0.6	BR6S	3522			
<b>The Scorpion</b>			1	-	TECUMSEH 7hp OHV	0.6	BR6ES	4922			
<b>The Scorpion S</b>			1	-	TECUMSEH 11hp OHV	0.6	BR6ES	4922			
<b>The Scorpion S</b>			1	-	TECUMSEH 7hp OHV	0.6	BR6ES	4922			
<b>The Spider</b>			1	-	TECUMSEH 5hp OHV	0.6	BR6ES	4922			

\* Bitte Elektrodenabstand nach Angaben des Herstellers justieren

\* Please adjust the ground electrode gap

\* Veuillez vérifier l'écartement

\* Por favor, ajustar la distancia entre los electrodos

\* Regolare il gap

\* Iridium IX Spark Plug is the standard recommendation







Stock No.

Quick No.

Upgrade ↑

Stock No. ↑

**BRISTER**

<b>The Spider X</b>			1	-	TECUMSEH 7hp OHV	0.6	BR6ES	4922			
<b>The Stinger</b>			1	-	TECUMSEH 5hp OHV	0.6	BR6ES	4922			

**BUSH HOG**

<b>Trail Hunter</b>			1	-	HONDA 24hp	0.6	ZGR5A	5839			
<b>Trail Hunter</b>			1	-	HONDA 20hp	0.8	BPR6ES	7822		BPR6EIX	6637
<b>Trail Hunter</b>			1	-	BRIGGS & STRATTON 16hp	0.6	BKR5E	7938		BKR5EIX	6341

**CAN-AM**

<b>Commander 800</b>		800	2	2011-		0.7	DCPR8E	4179		DCPR8EIX	6546
<b>Commander 1000</b>		1000	2	2011-		0.7	DCPR8E	4179		DCPR8EIX	6546

**CUB CADET**

<b>Volunteer 4x4</b>		624	2	2009-	KOHLER Engine CH640	0.7	BCPR5ES	6130		BCPR5EIX	5688
<b>Volunteer 4x4 EFI</b>		747	2	2012-	KOHLER Engine Aegis	0.7	BPR5E	7075		BPR5EIX	6597
<b>Volunteer 4x4 Diesel</b>		854		-	11V YANMAR		Y1021J	97627			

**CUSHMAN**

<b>Hauler 1200</b>		400	4	2016-	KAWASAKI 13hp	0.7	BPR2ES	2264			
<b>Hauler 1200X</b>		400	4	2016-	KAWASAKI 13hp	0.7	BPR2ES	2264			
<b>Hauler 800</b>		400	4	2016-	KAWASAKI 13hp	0.7	BPR2ES	2264			
<b>Oasis</b>		400	4	2016-	KAWASAKI 13hp	0.7	BPR2ES	2264			
<b>Refresher FS2</b>		400	4	2016-	KAWASAKI 13hp	0.7	BPR2ES	2264			
<b>Refresher FS4</b>		400	4	2016-	KAWASAKI 13hp	0.7	BPR2ES	2264			
<b>Shuttle 2</b>		400	4	2016-	KAWASAKI 13hp	0.7	BPR2ES	2264			
<b>Shuttle 4</b>		400	4	2016-	KAWASAKI 13hp	0.7	BPR2ES	2264			
<b>Shuttle 6</b>		400	4	2016-	KAWASAKI 13hp	0.7	BPR2ES	2264			
<b>Shuttle 8</b>		400	4	2016-	KAWASAKI 13hp	0.7	BPR2ES	2264			

**EPELLA**

<b>X 150 Rider</b>		150	1	2007-		0.7	CR7HSA	4549		CR7HIX	7544
<b>Buggy II Euro2</b>		250	1	2007-	Water fluid	0.9	DPR7EA-9	5129	Q220	DPR7EIX-9	7803

**EZGO**

<b>Hauler 1200</b>		400	4	2016-	KAWASAKI 13hp	0.7	BPR2ES	2264			
<b>Hauler 1200X</b>		400	4	2016-	KAWASAKI 13hp	0.7	BPR2ES	2264			
<b>Hauler 800</b>		400	4	2016-	KAWASAKI 13hp	0.7	BPR2ES	2264			
<b>Oasis</b>		400	4	2016-	KAWASAKI 13hp	0.7	BPR2ES	2264			
<b>Refresher FS2</b>		400	4	2016-	KAWASAKI 13hp	0.7	BPR2ES	2264			
<b>Refresher FS4</b>		400	4	2016-	KAWASAKI 13hp	0.7	BPR2ES	2264			
<b>RXV Golf Kart</b>		400	4	2016-	13hp	0.7	BPR2ES	2264			
<b>Shuttle 2</b>		400	4	2016-	KAWASAKI 13hp	0.7	BPR2ES	2264			
<b>Shuttle 4</b>		400	4	2016-	KAWASAKI 13hp	0.7	BPR2ES	2264			
<b>Shuttle 6</b>		400	4	2016-	KAWASAKI 13hp	0.7	BPR2ES	2264			
<b>Shuttle 8</b>		400	4	2016-	KAWASAKI 13hp	0.7	BPR2ES	2264			
<b>TXT Golf Kart</b>		400	4	2014-	13hp	0.7	BPR2ES	2264			

**HONDA**

<b>Pioneer 500</b>	SXS 500		1	2015-		1.1	BKR5E-11	6953		BKR5EIX-11	5464
<b>M Big Red</b>	M	675	1	-		0.7	DR8ES-L	2923	Q218	DR9EIX	4772
<b>Pioneer 700</b>	SXS 700	675	1	2014-2014		1.1	BKR5E-11	6953		BKR5EIX-11	5464
<b>Pioneer 700</b>	SXS 700	675	1	2015-		0.9	CPR6EB-9	5958			

\* Bitte Elektrodenabstand nach Angaben des Herstellers justieren

\* Please adjust the ground electrode gap

\* Veuillez vérifier l'écartement

\* Por favor, ajustar la distancia entre los electrodos

\* Regolare il gap

\*\* Iridium IX Spark Plug is the standard recommendation





Stock No.

Quick No.

Upgrade ↑

Stock No. ↑

**HONDA**

<b>Pioneer 1000</b>	SXS 1000	1000	2	2016-		0.9	SILMAR7A9S	93675			
---------------------	----------	------	---	-------	--	-----	------------	-------	--	--	--

**JOHN DEERE**

<b>Gator</b>				-	KAWASAKI 18hp OHV	0.6	BMR6A	7421			
<b>Gator</b>				-	KAWASAKI 10hp	0.6	B5HS	4210			
<b>Gator</b>			2	-	KAWASAKI Engine FD620D 20hp	0.9	BMR2A-10	4452			
<b>Gator 4x2</b>				-		0.8	BPR6ES	7822		BPR6EIX	6637
<b>Gator 250</b>		250	1	-	KAWASAKI Engine FE250D 8hp	0.7	BPR5ES	7422		BPR5EIX	6597
<b>Gator 290</b>		290	1	-	KAWASAKI Engine FE290D 10hp	0.7	BPR5ES	7422		BPR5EIX	6597
<b>Gator 854 6x4</b>		854	3	-		0.9	BMR2A-10	4452			

**KAWASAKI**

<b>KAF 300 4x2</b>	KAF	300	1	1991-1999		0.7	BPR5ES	7422		BPR5EIX	6597
<b>KAF 300 A Mule 500</b>	KAF	300	1	1991-	Constr.Code 1	0.7	BPR5ES	7422		BPR5EIX	6597
<b>KAF 300 B Mule 500</b>	KAF	300	1	1995-1996	Constr.Code 1-2	0.7	BPR5ES	7422		BPR5EIX	6597
<b>KAF 300 C Mule 550</b>	KAF	300	1	1994-2004	Constr.Code 1-7	0.7	BPR5ES	7422		BPR5EIX	6597
<b>KAF 300 D Mule 520</b>	KAF	300	1	2000-		0.7	BPR5ES	7422		BPR5EIX	6597
<b>KAF 400 B Mule 600</b>	KAF	400	1	2007-		0.7	BPR5ES	7422		BPR5EIX	6597
<b>KAF 400 Mule 4x2</b>		401	1	-		0.8	BPR2ES	2264			
<b>KAF 400 Mule 4x4</b>		401	1	-		0.8	BPR2ES	2264			
<b>KAF 400 Mule 600</b>		401	1	2010-		0.6	BPR5ES	7422		BPR5EIX	6597
<b>KAF 400 Mule 610 4x4</b>		401	1	2010-		0.6	BPR5ES	7422		BPR5EIX	6597
<b>KAF 450</b>	KAF	450		1991-		0.7	D7EA	7912		DR7EIX	5686
<b>KAF 450</b>	KAF	450		1992-1996	Water fluid	0.7	D6EA	7512			
<b>KAF 450 B Mule 1000 UV</b>		450		-		0.7	D6EA	7512			
<b>KAF 540</b>		540		1991-1993		0.7	BP5ES	6511		BPR5EIX	6597
<b>KAF 540 C Mule 2010 UV</b>		540		-		0.6	BPR5ES	7422		BPR5EIX	6597
<b>KAF 550</b>	KAF	550		1994-		0.7	BPR5ES	7422		BPR5EIX	6597
<b>KAF 620 A Mule 2510 4x4</b>	KAF	620	2	1995-2000	Constr.Code 1-6	0.6	BMR2A	7677			
<b>KAF 620 B Mule 2520</b>	KAF	620		1993-		0.7	BMR2A	7677			
<b>KAF 620 C Mule 2500</b>	KAF	620		1993-		0.7	BMR2A	7677			
<b>KAF 620 C Mule 2500</b>	KAF	620	2	1995-2000	Constr.Code 1-6	0.6	BMR2A	7677			
<b>KAF 620 E Mule 3010 4x4</b>	KAF	620	2	2001-2004	Constr.Code 1-4	0.6	BPR2ES	2264			
<b>KAF 620 G Mule 3000</b>	KAF	620	2	2001-2004	Constr.Code 1-4	0.6	BPR2ES	2264			
<b>KAF 950 A Mule 2510 Diesel</b>	KAF	950	3	2000-2002	11V		Y-706R	3041			
<b>KAF 950 B Mule 3010 4x4 Diesel</b>	KAF	950	3	2003-2004	11V Constr.Code 1-2		Y-706R	3041			
<b>KAF 950 Mule 3010 Trans Diesel</b>	KAF	950	3	2007-	11V		Y-706R	3041			
<b>KAF 953 Mule 4010 Diesel 4x4</b>	KAF	953	3	2010-	11V		Y-706R	3041			

**KYMCO**

<b>UXV 500</b>		500	1	-		0.6	CR7E	4578	Q225	CR7EIX	7385
<b>UXV 500</b>		500	1	2008-		0.9	DPR7EA-9	5129	Q220	DPR7EIX-9	7803

**MASSEY-FERGUSON**

<b>MF 250 2WD</b>			1	2006-2008		*	DR7EA	7839		DR7EIX	5686
<b>MF 350 MRP 4WD</b>			1	2006-2008		*	DR7EA	7839		DR7EIX	5686
<b>MF 400 MRP 4WD</b>			1	2006-2008		*	CR6E	6965			
<b>MF 450 MRP 4WD</b>			1	2006-2008		*	CR6E	6965			

\* Bitte Elektrodenabstand nach Angaben des Herstellers justieren

\* Please adjust the ground electrode gap

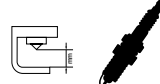
\* Veuillez vérifier l'écartement

\* Por favor, ajustar la distancia entre los electrodos

\* Regolare il gap

\* Iridium IX Spark Plug is the standard recommendation





Stock No.

Quick No.

Upgrade ↑

Stock No. ↑

**MASSEY-FERGUSON**

<b>MF 500 MRP 4WD</b>			1	2006-2008		*	CR6E	6965			
<b>MF 500 TBX 4WD</b>			1	2006-2008		*	CR6E	6965			

**MOTO ROMA**

<b>Buggy SS</b>	AB125E/AB125R	125	1	-		0.7	C7HSA	4629		CR7HIX	7544
<b>DS Buggy</b>	AB150IIR	150	1	-		0.7	C7HSA	4629		CR7HIX	7544

**POLARIS**

<b>UTV 2x4</b>	C11RB42AA/ C11RD50AA/ C11RD50AB/ C11RF50AA			-	24hp	0.6	BKR5E	7938		BKR5EIX	6341
<b>UTV 4x4</b>	C11RB42AA/ C11RD50AA/ C11RD50AB/ C11RF50AA			-	30hp	0.6	BKR5E	7938		BKR5EIX	6341
<b>UTV 6x6</b>	C11RB42AA/ C11RD50AA/ C11RD50AB/ C11RF50AA			-	30hp	0.6	BKR5E	7938		BKR5EIX	6341
<b>RZR 170</b>	A09VA17AA/ A09VA17AD / A10VA17AA/ A10VA17AD	170	1	2009-2010		*	CR6HSA	2983		CR6HIX	7274
<b>RZR 170</b>	R11VA17AA / R12VA17AA/ R12VA17AC / R13VA17AA/ R13VA17AAAB / R14VA17AA/ R14VA17AF	170	1	2011-2014		*	CR6HSA	2983		CR6HIX	7274
<b>M 1400 Gas</b>		325	1	2015-		0.8	MR7F	95897			
<b>Ranger 325 ETX</b>		325	1	2015-2016		0.8	MR7F	95897			
<b>Ranger 325 ETX EU</b>		325	1	2015-		0.8	MR7F	95897			
<b>Ranger 400 4x4</b>	R14RH45AA	400	1	2014-2014		0.9	BKR6E	6962		BKR6EIX	6418
<b>Ranger 400 4x4 HO</b>	R10RH45AG/ R10RH45AH/ R10RH45AR	400	1	2010-2011		0.9	BKR6E	6962		BKR6EIX	6418
<b>Ranger 400 Mid-Size</b>	R13RH45AG	400	1	2013-2013		0.9	BKR6E	6962		BKR6EIX	6418
<b>Hauler 500 Light Utility EH50</b>		500		2002-		0.6	BKR5E	7938		BKR5EIX	6341
<b>Ranger 500</b>		500	1	1999-1999		0.8	BKR5E	7938		BKR5EIX	6341
<b>Ranger 500 2x4</b>	A04RB42AA	500	1	2004-2008		0.7	BKR5E	7938		BKR5EIX	6341
<b>Ranger 500 2x4 Carb</b>	R09RB50AF	500	1	2009-2009		0.7	BKR5E	7938		BKR5EIX	6341
<b>Ranger 500 4x4</b>	A04RB42AA	500	1	2004-2007		0.7	BKR5E	7938		BKR5EIX	6341
<b>Ranger 500 4x4 Crew</b>	R11RH50AG/ R11RH50AH/ R11RH50AR	500	1	2011-2012		0.7	BKR5E	7938		BKR5EIX	6341
<b>Ranger 500 4x4 Crew le - urbo silver</b>	R12WH50AG/ R12WH50AH/ R12WH50AK/ R12WH50AR	500	1	2012-		0.8	BKR5E	7938		BKR5EIX	6341
<b>Ranger 500 4x4 Crew - Pursuit camo</b>	R12WH50AG/ R12WH50AH/ R12WH50AK/ R12WH50AR	500	1	2012-		0.8	BKR5E	7938		BKR5EIX	6341
<b>Ranger 500 4x4 Crew - Sagebrush green</b>	R12WH50AG/ R12WH50AH/ R12WH50AK/ R12WH50AR	500	1	2012-		0.8	BKR5E	7938		BKR5EIX	6341
<b>Ranger 500 4x4 Crew - Solar red</b>	R12WH50AG/ R12WH50AH/ R12WH50AK/ R12WH50AR	500	1	2012-		0.8	BKR5E	7938		BKR5EIX	6341
<b>Ranger 500 4x4 EFI</b>	R06RD50AC / R07RB50AA/ RH50AA / R08RH50AF/ R08RH50AR/ R08RH50AT / R09HH50AG/ R09HH50AR	500	1	2006-2009		0.7	BKR6E	6962		BKR6EIX	6418

\* Bitte Elektrodenabstand nach Angaben des Herstellers justieren

\* Please adjust the ground electrode gap

\* Veuillez vérifier l'écartement

\* Por favor, ajustar la distancia entre los electrodos

\* Regolare il gap

\*\* Iridium IX Spark Plug is the standard recommendation





Stock No.

Quick No.

Upgrade ↑

Stock No. ↑

**POLARIS**

<b>Ranger 500 4x4 EFI</b>	R10TH50AG/ R10TH50AR	500	1	2010-2011		0.7	BKR5E	7938		BKR5EIX	6341
<b>Ranger 500 6x6</b>	A04RB42AA	500	1	2004-2005		0.7	BKR5E	7938		BKR5EIX	6341
<b>Ranger 500 Crew Mid-Size</b>	R13RH50AG/ R13RH50AH/ R13RH50AM/ R13RH50AR	500	1	2013-2013		0.7	BKR5E	7938		BKR5EIX	6341
<b>Ranger 500 Mid-Size</b>		500	1	2013-2013		0.7	BKR5E	7938		BKR5EIX	6341
<b>570 TR PRM PS MD</b>		570	1	2015-		0.8	MR7F	95897			
<b>Forest Tractor 570 EFI</b>		570	1	2015-		0.8	MR7F	95897			
<b>Forest Tractor 570 EPS</b>		570	1	2015-		0.8	MR7F	95897			
<b>Ranger 570</b>	R15RMA57AA/ R15RMA57AR/ R15RMA57AZ/ R15RMA57AC/ R15RMA57FA/ R15RMA57LA/ R15RMH57AR	570	1	2015-		0.8	MR7F	95897			
<b>Ranger 570</b>	R16RMA57A1/ R16RMA57A4/ R16RMA57A9/ R16RMA57L1/ R16RME57AS/ R16RME57A9/ R16RMH57AR	570	1	2016-		0.8	MR7F	95897			
<b>Ranger 570 Crew EFI</b>		570	1	2014-2015		0.8	MR7F	95897			
<b>Ranger 570 Crew Full-Size</b>	R16RVA57A1/ R16RVA57B1/ R16RVE57A9/ R16RVE57B9	570	1	2016-		0.8	MR7F	95897			
<b>Ranger 570 EFI</b>	R14RH57AA/ R14RH57AC/ R14RH57AR/ R14RH6EAZ	570	1	2014-2014		0.8	MR7F	95897			
<b>Ranger 570 EFI Crew</b>	R15RNA57AA/ R15RNA57AC/ R15RNA57AR/ R15RNE57AS	570	1	2014-2014		0.6	CPR8E	7411			
<b>Ranger 570 EFI Crew</b>	R16RNA57A1/ R16RNA57A9/ R16RNA57A4/ R16RNA5EAH	570	1	2016-		0.8	MR7F	95897			
<b>Ranger 570 EFI Crew Full-Size</b>	R15RUA57AA/ R15RUE57AC	570	1	2015-		0.8	MR7F	95897			
<b>Ranger 570 EU</b>	R16RMA57F1/ R16RMA57N1/ R16RMA5EFH/ R16RMA5SF1/ R16RMA52N1	570	1	2016-		0.8	MR7F	95897			
<b>Ranger 570 Full-Size</b>	R15RTA57AA/ R15RTA57AR/ R15RTA57AC/ R15RTA5EAU	570	1	2015-2016		0.8	MR7F	95897			
<b>Ranger 570 Full-Size</b>	R16RTA57A1/ R16RTA57A4/ R16RTA57A9/ R16RTA57B1/ R16RTA57B4/ R16RTA57B9/ R16RTA5EAP/ R16RTA5EBP	570	1	2016-		0.8	MR7F	95897			
<b>Ranger 570 INTL</b>	R14RH57FX	570	1	2014-		0.8	MR7F	95897			
<b>RZR 570</b>	Z14VH57AD/ Z14VH5EAI/ Z14VH5EAW / Z15VHA57AJ/ Z15VE57AS/ Z15VE57AK / Z16VHA57A2/ Z16VHA5EAK/ Z16VHA57AS	570	1	2014-2016		0.8	MR7F	95897			
<b>RZR 570 EFI</b>	R12VH57AD	570	1	2012-2014		0.8	MR7F	95897			
<b>RZR 570 EFI INTL</b>	R12VH57FX	570	1	2012-2013		0.6	CPR8E	7411			
<b>RZR 570 EFI INTL</b>	R12VH57FX	570	1	2012-2013		0.8	MR7F	95897			
<b>RZR 570 EU</b>	Z15VHA57FJ	570	1	2015-		0.8	MR7F	95897			

\* Bitte Elektrodenabstand nach Angaben des Herstellers justieren

\* Please adjust the ground electrode gap

\* Veuillez vérifier l'écartement

\* Por favor, ajustar la distancia entre los electrodos

\* Regolare il gap

\* Iridium IX Spark Plug is the standard recommendation





Stock No.

Quick No.

Upgrade ↑

Stock No. ↑

**POLARIS**

<b>Ranger TM</b>	A04RB63AA	653	2	2004-2004		0.7	BPR4EY	2128			
<b>Ranger 700 4x4 EFI</b>	R07RH68AD/ R07RH68AG/ R07RH68AH/ R07RH68AK/ R07RH68AL/ R07RH68AO/ R07RH68AP/ R07RH68AW	700	2	2007-2007		0.7	BKR7E	6097		BKR7EIX	2667
<b>Ranger 700 4x4 EFI</b>	R08RH68	700	2	2008-2008		0.7	BKR7E	6097		BKR7EIX	2667
<b>Ranger 700 4x4 EFI</b>	R09HH68	700	2	2009-2009		0.7	BKR7E	6097		BKR7EIX	2667
<b>Ranger 700 4x4 EFI Crew</b>	R08WH68AG/ R08WH68AH/ R08WH68AK/ R08WH68AR	700	2	2008-2008		0.7	BKR7E	6097		BKR7EIX	2667
<b>Ranger 700 4x4 EFI Crew</b>	R09WH68AC/ R09WH68AG/ R09WH68AH/ R09WH68AL/ R09WH68AR/ R09WH68AZ	700	2	2009-2009		0.7	BKR7E	6097		BKR7EIX	2667
<b>Ranger 700 4x4 LE</b>	R07RH68AD/ R07RH68AG/ R07RH68AH/ R07RH68AK/ R07RH68AL/ R07RH68AO/ R07RH68AP/ R07RH68AW	700	2	2007-2007		0.7	BKR7E	6097		BKR7EIX	2667
<b>Ranger 700 4x4 XP</b>	R08RH68	700	2	2008-2008		0.7	BKR7E	6097		BKR7EIX	2667
<b>Ranger 700 6x6 EFI</b>	R06RF68AA / R08RF68AD/ R08RF68AF/ R08RF68AZ	700	2	2006-2008		0.7	BKR7E	6097		BKR7EIX	2667
<b>Ranger 700 6x6 EFI</b>	R09RF68AF/ R09RF68AR/ R09RF68AZ	700	2	2009-2009		0.7	BKR7E	6097		BKR7EIX	2667
<b>Ranger 700 XP</b>	R05RD68AA	700	2	2005-2005		0.7	BKR7E	6097		BKR7EIX	2667
<b>Ranger 700 XP 4x4</b>	R06RD68AA	700	2	2006-2006		0.7	BKR7E	6097		BKR7EIX	2667
<b>800 SDi All Options</b>		800	2	2012-		0.7	GR9A-EG	94841			
<b>Ranger 800</b>	R14TH76AA/ R14TH76AC/ R14TH7EAS/ R14TH7AAC/ R14TH7ACC/ R14TH7EASC	800	2	2014-2014		0.7	BKR7E	6097		BKR7EIX	2667
<b>Ranger 800 4x4 EFI</b>	R10WH76AG/ R10WH76AH/ R10WH76AR/ R10WH76AV/ R10WY76AW/ R10WY76AZ	800	2	2010-2010		0.7	BKR7E	6097		BKR7EIX	2667
<b>Ranger 800 4x4 EFI</b>	R11TH76/ R11TY76	800	2	2011-2011		0.7	BKR7E	6097		BKR7EIX	2667
<b>Ranger 800 4x4 EFI Crew</b>		800	2	2010-2010		0.7	BKR7E	6097		BKR7EIX	2667
<b>Ranger 800 4x4 EFI Crew</b>	R11WH76AG/ R11WH76AR/ R11WY76AE/ R11WY76AH/ R11WY76AJ	800	2	2011-2014		0.7	BKR7E	6097		BKR7EIX	2667
<b>Ranger 800 6x6 EFI</b>	R11HR76AG/ R11HR76AR	800	2	2011-2014		0.7	BKR7E	6097		BKR7EIX	2667
<b>Ranger 800 EFI - Black</b>		800	2	2012-		0.7	BKR7E	6097		BKR7EIX	2667
<b>Ranger 800 EFI - Indy red</b>	R12VH76AB/ R12VH76AD/ R12VH76AF/ R12VH76AH/ R12VH76AI/ R12VH76AJ/ R12VH76AM/ R12VH7EAB/ R12VH7EAS	800	2	2012-		0.7	BKR7E	6097		BKR7EIX	2667

\*Bitte Elektrodenabstand nach Angaben des Herstellers justieren

\*Please adjust the ground electrode gap

\*Veuillez vérifier l'écartement

\* Por favor, ajustar la distancia entre los electrodos

\*Regolare il gap

\*\* Iridium IX Spark Plug is the standard recommendation





Stock No.

Quick No.

Upgrade ↑

Stock No. ↑

**POLARIS**

<b>Ranger 800 EFI Mid-Size</b>	R13RH76AG/ R13RH76AH/ R13RH76AN/ R14RH76AA/ R14RH76AC/ R14RH7EAS	800	2	2013-2014		0.7	BKR7E	6097	BKR7EIX	2667
<b>Ranger 800 EFI - Vogue silver</b>	R12VH76AB/ R12VH76AD/ R12VH76AF/ R12VH76AH/ R12VH76AI/ R12VH76AJ/ R12VH76AM/ R12VH7EAB/ R12VH7EAS	800	2	2012-		0.7	BKR7E	6097	BKR7EIX	2667
<b>Ranger 800 EFI - White Lightning</b>		800	2	2012-		0.7	BKR7E	6097	BKR7EIX	2667
<b>Ranger 800 XP</b>	R12TH76/ R12TH7E/ R12TX7E	800	2	2012-2012		0.7	BKR7E	6097	BKR7EIX	2667
<b>RZR 4 800 EFI</b>	R10XH76AA	800	2	2010-2010		0.7	BKR7E	6097	BKR7EIX	2667
<b>RZR 4 800 EFI</b>	R12XE76AD/ R12XE7EAB/ R12XE7EAO	800	2	2012-2014		0.7	BKR7E	6097	BKR7EIX	2667
<b>RZR 4 800 EFI EPS INTL</b>	R12XE7EFX	800	2	2012-		0.7	BKR7E	6097	BKR7EIX	2667
<b>RZR 4 800 EFI EPS INTL</b>	R12XE7EFX	800	2	2012-2012		0.7	BKR7E	6097	BKR7EIX	2667
<b>RZR 4 800 EPS RGE</b>	R11XH76AW/ R11XH76AZ/ R11XY76AA	800	2	2011-2011		0.7	BKR7E	6097	BKR7EIX	2667
<b>RZR 4 800 INTL</b>	RZR 4	800	2	2011-2011		0.7	BKR7E	6097	BKR7EIX	2667
<b>RZR 800 EFI</b>	R08VH76AD/ R08VH76AG	800	2	2008-2008		0.7	BKR7E	6097	BKR7EIX	2667
<b>RZR 800 EFI</b>	R09VH76	800	2	2009-2010		0.7	BKR7E	6097	BKR7EIX	2667
<b>RZR 800 EFI</b>		800	2	2011-2011		0.7	BKR7E	6097	BKR7EIX	2667
<b>RZR 800 EFI</b>	R12VH76AB/ R12VH76AD/ R12VH76AF/ R12VH76AH/ R12VH76AI/ R12VH76AJ/ R12VH76AM/ R12VH7EAB/ R12VH7EAS	800	2	2012-2014		0.7	BKR7E	6097	BKR7EIX	2667
<b>RZR 800 EPS</b>	R12VH76AB/ R12VH76AD/ R12VH76AF/ R12VH76AH/ R12VH76AI/ R12VH76AJ/ R12VH76AM/ R12VH7EAB/ R12VH7EAS	800	2	2012-2014		0.7	BKR7E	6097	BKR7EIX	2667
<b>RZR S 800 EFI</b>	R09VH76AX	800	2	2009-2010		0.7	BKR7E	6097	BKR7EIX	2667
<b>RZR S 800 EFI</b>	R11VE76AC/ R11VE76AD/ R11VE76AT/ R11VE76AW/ R11VE76AZ	800	2	2011-2011		0.7	BKR7E	6097	BKR7EIX	2667
<b>RZR S 800 EFI</b>	R12VE76AB/ R12VE76AD/ R12VE76AE/ R12VE76AJ/ R12VE76AO	800	2	2012-2013		0.7	BKR7E	6097	BKR7EIX	2667
<b>RZR S 800 EFI INTL</b>	RZR S	800	2	2009-2010		0.7	BKR7E	6097	BKR7EIX	2667
<b>RZR S 800 EPS INTL</b>	RZR S	800	2	2011-2011		0.7	BKR7E	6097	BKR7EIX	2667
<b>Ranger 900 Crew All Options</b>	R14WH88A/ R14WH9EA	900	2	2014-2014		0.8	MR7F	95897		
<b>Ranger 900 XP All Options</b>	R13UH88/ R13UH9E	900	2	2013-2016		0.8	MR7F	95897		
<b>Ranger 900 XP EU</b>	R15RTE87FA	900	2	2015-2016		0.8	MR7F	95897		
<b>RZR 4 900</b>	Z14XT9EAO	900	2	2014-2016		0.8	MR7F	95897		
<b>RZR 4 900 XP</b>	R12XT87AA/ R12XT9EAS	900	2	2012-2012		0.8	MR7F	95897		

\*Bitte Elektrodenabstand nach Angaben des Herstellers justieren

\*Please adjust the ground electrode gap

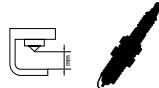
\*Veuillez vérifier l'écartement

\* Por favor, ajustar la distancia entre los electrodos

\*Regolare il gap

\* Iridium IX Spark Plug is the standard recommendation





Stock No.

Quick No.

Upgrade ↑

Stock No. ↑

**POLARIS**

<b>RZR 4 900 XP Jagged X</b>	R13XT9EAL	900	2	2013-2013		0.8	MR7F	95897			
<b>RZR 4 900 XP PS INTL</b>	R13XT9EFX	900	2	2013-		0.8	MR7F	95897			
<b>RZR 900 50/55 INCH All Options</b>	Z15VAA87/ Z15VAE87/ Z15VAX87	900	2	2015-2016		0.8	MR7F	95897			
<b>RZR 900 60 Inch All Options</b>	Z15VBA87AJ/ Z15VBA87LJ// Z15VBE87AK/ Z15VBE87AM/ Z15VBE87AT/ Z15VBE87LT/ Z15VBE87AL/ Z15VBE87AV	900	2	2015-2016		0.8	MR7F	95897			
<b>RZR 900 60 Inch PS EU</b>	Z15VBE87FK	900	2	2015-2016		0.8	MR7F	95897			
<b>RZR 900 60 Inch PS INTL</b>	Z15VBE87FK/ Z15VBE87KJ	900	2	2015-		0.8	MR7F	95897			
<b>RZR 900 XP 4 EFI</b>	R13XT87AA/ R13XT9EAK	900	2	2013-		0.8	MR7F	95897			
<b>RZR 900 XP EFI</b>	RZR	900	2	2012-2013		0.8	MR7F	95897			
<b>RZR 900 XP EPS INTL</b>	R13JT9EFX	900	2	2013-		0.8	MR7F	95897			
<b>RZR XP 4 Turbo</b>		925	2	2016-2016		0.8	MR8F	90299			
<b>RZR XP 4 Turbo</b>		925	2	2017-2017	168hp	0.8	MR9F	95424			
<b>RZR XP 4 Turbo S</b>		925	2	2019-2019	168hp	0.8	MR9F	95424			
<b>RZR XP 4 Turbo S Velocity</b>		925	2	2019-2019	168hp	0.8	MR9F	95424			
<b>RZR XP 4 Turbo Tractor</b>		925	2	2017-2017		0.8	MR8F	90299			
<b>RZR XP Turbo</b>		925	2	2016-2016		0.8	MR8F	90299			
<b>RZR XP TURBO</b>		925	2	2017-2017	168hp	0.8	MR9F	95424			
<b>RZR XP TURBO S</b>		925	2	2018-2018	168hp	0.8	MR9F	95424			
<b>RZR XP TURBO S Velocity</b>		925	2	2019-2019	168hp	0.8	MR9F	95424			
<b>RZR XP Turbo Tractor</b>		925	2	2017-2017		0.8	MR8F	90299			
<b>RZR 1000 60 INCH All Options</b>	RZR	1000	2	2015-		0.8	MR7F	95897			
<b>RZR XP 1000</b>	Z15VDE99AT/ Z15VDE99AL/ Z15VDE99AV/ Z15VDE99AW/ Z15VDE99LP/ Z15VDE99EW/ Z15VDE99AO/ Z15VDE99AP/ Z15VDE99AZ/ Z15VDK99AA/ Z15VDK99AU	1000	2	2014-		0.8	MR7F	95897			
<b>RZR XP 1000 INTL</b>	Z15VDE99FV	1000	2	2015-		0.8	MR7F	95897			
<b>RZR XP4 1000</b>	Z15VFE99AT/ Z15VFE99AV/ Z15VFE99AP	1000	2	2015-2016		0.8	MR7F	95897			

**YAMAHA**

<b>G1A Golf Kart</b>			1	1979-		0.7	BP5HS	4111			
<b>G1A Utility</b>			1	1979-		0.7	BP5HS	4111			
<b>G23A Golf Kart</b>			1	2003-2005		0.7	BPR2ES	2264			
<b>G23A Utility</b>			1	2003-2005		0.7	BPR2ES	2264			
<b>G27A U-Max Golf Kart</b>			1	2004-2006		0.7	BPR2ES	2264			
<b>G27A U-Max Utility</b>			1	2004-2006		0.7	BPR2ES	2264			
<b>G29A</b>				2010-		0.7	BPR2ES	2264			
<b>G2A Golf Kart</b>			1	1985-		0.8	BR4ES	1097			
<b>G2A Utility</b>			1	1985-		0.8	BR4ES	1097			
<b>G3A Golf Kart</b>			1	1986-		0.7	BP5HS	4111			
<b>G3A Utility</b>			1	1986-		0.7	BP5HS	4111			
<b>G5A Golf Kart</b>			1	1985-		0.8	BR4ES	1097			

\*Bitte Elektrodenabstand nach Angaben des Herstellers justieren

\*Please adjust the ground electrode gap

\*Veuillez vérifier l'écartement

\* Por favor, ajustar la distancia entre los electrodos

\*Regolare il gap

\*\* Iridium IX Spark Plug is the standard recommendation





Stock No.

Quick No.

Upgrade ↑

Stock No. ↑

**YAMAHA**

<b>G5A Utility</b>			1	1985-		0.8	BR4ES	1097			
<b>G8A Golf Kart</b>			1	1985-		0.8	BR4ES	1097			
<b>G8A Utility</b>			1	1985-		0.8	BR4ES	1097			
<b>G9A Golf Kart</b>			1	1985-		0.8	BR4ES	1097			
<b>G9A Utility</b>			1	1985-		0.8	BR4ES	1097			
<b>YDR-A (The DRIVE)</b>			1	2007-		0.7	BPR2ES	2264			
<b>YFM 600 FWA Grizzly</b>			1	1998-2001		0.9	DPR8EA-9	4929	Q221	DPR8EIX-9	2202
<b>YFM 660 FWA Grizzly</b>			1	2002-		0.9	DPR8EA-9	4929	Q221	DPR8EIX-9	2202
<b>YFM 700 FWAD Grizzly Fi</b>			1	2009-	10mm Thread Size / 26,5mm Thread Reach	0.9	LMAR6A-9	5946			
<b>YFM 700 Grizzly Fi</b>			1	2007-2008	10mm Thread Size / 19mm Thread Reach	0.9	CPR7EA-9	3901		CPR7EAIX-9	9198
<b>YFM 700 R Raptor</b>			1	2006-2007		0.6	CR8E	4854	Q226	CR8EIX	4218
<b>YXM 700 PE Viking</b>			1	2014-		0.9	CPR7EA-9	3901		CPR7EAIX-9	9198
<b>YXR 700 FX Rhino Fi</b>			1	2008-		0.9	CPR7EA-9	3901		CPR7EAIX-9	9198
<b>YFM 450 4x4 Grizzly EPS Blue Max</b>	YFM45	450	1	2011-		*	DR8EA	7162		DR8EIX	6681
<b>YXR Rhino 450</b>	YXR45FAVGR	450	1	2006-		0.7	DR8EA	7162		DR8EIX	6681
<b>YFM 550 4x4 Grizzly EPS Racing Blue</b>	YFM55	550	1	2011-		*	LMAR6A-9	5946			
<b>YFM 660 R Raptor</b>		660	1	2001-2005		0.9	DPR8EA-9	4929	Q221	DPR8EIX-9	2202
<b>YXR Rhino 660</b>	YXR660FAS	660	1	2004-		0.9	DPR8EA-9	4929	Q221	DPR8EIX-9	2202
<b>YXP Pro Hauler 700 2WD</b>	YXP700AS	700	1	2004-2007		0.8	BPR4ES	7222			
<b>YXP Pro Hauler 700 2WD</b>	YXP700AS	700	1	2004-2007		0.8	BPR2ES	2264			
<b>YXR Rhino 700 FI</b>	YXR70FXGR	700	1	2008-		0.9	CPR7EA-9	3901		CPR7EAIX-9	9198
<b>YXR Rhino 700 FI Hunter</b>	YXR70FHX	700	1	2008-		0.9	CPR7EA-9	3901		CPR7EAIX-9	9198
<b>RTV 900</b>	DIESEL	900	1	2004-	11V		YE01	2649			
<b>YXP Pro Hauler 1000</b>	YXP1000AS	1000	1	2004-2006		0.8	BPR4ES	7222			
<b>YXP Pro Hauler 1000</b>	YXP1000AS	1000	1	2004-2006		0.8	BPR2ES	2264			

\* Bitte Elektrodenabstand nach Angaben des Herstellers justieren

\* Please adjust the ground electrode gap

\* Veuillez vérifier l'écartement

\* Por favor, ajustar la distancia entre los electrodos

\* Regolare il gap

\* Iridium IX Spark Plug is the standard recommendation

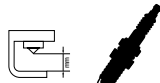








IGNITION  
PARTS



Stock No.

Quick No.

Upgrade ↑

Stock No. ↑

**AKTIV**

A 600				-		0.5	B9ES	2611	Q202	BR9EIX	3981
Grizzly				-		0.5	B9ES	2611	Q202	BR9EIX	3981
SC3 Gul		160		-		0.5	BPM7A	7321			
Karibo		277		-	ROTAX Engine 277	0.8	B8ES	2411	Q201	BR8EIX	5044
A600		290		-		0.5	AB-7	3010			
Grizzly		432		-		0.5	B9ES	2611	Q202	BR9EIX	3981
Panther		432		-		0.5	B9ES	2611	Q202	BR9EIX	3981
A600		440		-	ROTAX Engine 440	0.5	AB-8	7909			
Grizzly		440		-		0.5	B9ES	2611	Q202	BR9EIX	3981
Alaska		503		-		0.8	B8ES	2411	Q201	BR8EIX	5044
Alaska XT		503		-		0.8	B8ES	2411	Q201	BR8EIX	5044
Grizzly		503		-	ROTAX Engine 503 US	0.5	B7ES	1111		BR7EIX	6664
Grizzly SE		503		-	ROTAX Engine 503 SCA	0.8	B8ES	2411	Q201	BR8EIX	5044
Grizzly XP		503		-	ROTAX Engine 503 US	0.8	B8ES	2411	Q201	BR8EIX	5044
Panther		503		-	ROTAX Engine 503 SCA	0.5	B7ES	1111		BR7EIX	6664
Panther		503		-		0.8	B8ES	2411	Q201	BR8EIX	5044

**ARCTCO**

AA06A1		60		-	SUZUKI	0.6	BR6HS	4200		BR6HIX	3419
AA06A2		60		-	SUZUKI	0.5	BR6HS	4200		BR6HIX	3419
AA06A3		60		-	SUZUKI	0.5	BR6HS	4200		BR6HIX	3419
AA06A4		60		-	SUZUKI	0.5	BR6HS	4200		BR6HIX	3419
AA06A5		60		-	SUZUKI	0.5	BR6HS	4200		BR6HIX	3419
AA06A7		60		-	SUZUKI	0.5	BR6HS	4200		BR6HIX	3419
AA06A9		60		-	SUZUKI	0.6	BR6HS	4200		BR6HIX	3419
AO06A1		60		-	SUZUKI	0.7	BR6HS	4200		BR6HIX	3419
AO06A2		60		-	SUZUKI	0.8	BR6HS	4200		BR6HIX	3419
AO06A3		60		-	SUZUKI	0.8	BR6HS	4200		BR6HIX	3419
AO06A4		60		-	SUZUKI	0.8	BR6HS	4200		BR6HIX	3419
AO06A5		60		-	SUZUKI	0.8	BR6HS	4200		BR6HIX	3419
AO06A8		60		-	SUZUKI	0.8	BR6HS	4200		BR6HIX	3419
T5B060S		60		-	KAWASAKI	0.7	BR6HS	4200		BR6HIX	3419
T1D250F1		245		-	KAWASAKI	0.7	BR8ES	5422	Q207	BR8EIX	5044
AA25L2		250		-	SUZUKI	*	BR10EIX**	6801			
AB25F1		250		-	SUZUKI	0.6	BR8ES	5422	Q207	BR8EIX	5044
AB25F3		250		-	SUZUKI	0.5	BR9ES	5722		BR9EIX	3981
AB25F4		250		-	SUZUKI	0.5	BR8ES	5422	Q207	BR8EIX	5044
AA28F1		275		-	SUZUKI	0.6	BR8ES	5422	Q207	BR8EIX	5044
AA28F2		275		-	SUZUKI	0.6	BR8ES	5422	Q207	BR8EIX	5044
AA28F3		275		-	SUZUKI	0.5	BR8ES	5422	Q207	BR8EIX	5044
AA28F4		275		-	SUZUKI	0.5	BR8ES	5422	Q207	BR8EIX	5044
AA28F5		275		-	SUZUKI	0.5	BR8ES	5422	Q207	BR8EIX	5044
KT150A		292	1	1971-	KAWASAKI	0.7	AB-8	7909			
KT150B		292	1	1971-	KAWASAKI		AB-8	7909			
T4B292S		292		-	KAWASAKI	0.7	B9HS	5810		BR9HIX	5687
T4C292S1A		292		-	KAWASAKI	0.7	BR9HS	4522		BR9HIX	5687
AF34A7		339		-	SUZUKI	0.7	BR8ES	5422	Q207	BR8EIX	5044
AF34A8		339		-	SUZUKI	0.8	BR8ES	5422	Q207	BR8EIX	5044
AF34A9		339		-	SUZUKI	0.8	BR8ES	5422	Q207	BR8EIX	5044
AG34A1		339		-	SUZUKI	0.5	BR8ES	5422	Q207	BR8EIX	5044
AG34A3		339		-	SUZUKI	0.6	BR8HS	4915	Q212	BR8HIX	7001

\*Bitte Elektrodenabstand nach Angaben des Herstellers justieren

\*Please adjust the ground electrode gap

\*Veuillez vérifier l'écartement

\* Por favor, ajustar la distancia entre los electrodos

\*Regolare il gap

\*\* Iridium IX Spark Plug is the standard recommendation





Stock No.

Quick No.

Upgrade ↑

Stock No. ↑

**ARCTCO**

AG34A3		339		-	SUZUKI	0.8	BR9ES	5722		BR9EIX	3981
AG34A3A		339		-	SUZUKI	0.8	BR9ES	5722		BR9EIX	3981
AG34A5		339		-	SUZUKI	0.8	BR9ES	5722		BR9EIX	3981
AG34A6		339		-	SUZUKI	0.8	BR9ES	5722		BR9EIX	3981
T1A340S1		339	2	-	KAWASAKI	0.7	B8ES	2411	Q201	BR8EIX	5044
T1B340S		339	2	-	KAWASAKI	0.7	B8ES	2411	Q201	BR8EIX	5044
T1C340S1A		339		-	KAWASAKI	0.7	B8ES	2411	Q201	BR8EIX	5044
T1C340S2A		339		-	KAWASAKI	0.7	B8ES	2411	Q201	BR8EIX	5044
T1D340A2A		339		-	KAWASAKI	0.7	B8ES	2411	Q201	BR8EIX	5044
T1D340F1		339		-	KAWASAKI	0.7	BR8ES	5422	Q207	BR8EIX	5044
340 Mod.Kit		340		-	SUZUKI	0.5	B10EG	3630			
AA34F1		340		-	SUZUKI	0.6	BR8ES	5422	Q207	BR8EIX	5044
AA34F2		340		-	SUZUKI	0.6	BR8ES	5422	Q207	BR8EIX	5044
AA34F3		340		-	SUZUKI	0.5	BR8ES	5422	Q207	BR8EIX	5044
AA34F4		340		-	SUZUKI	0.5	BR8ES	5422	Q207	BR8EIX	5044
AA34F5		340		-	SUZUKI	0.5	BR8ES	5422	Q207	BR8EIX	5044
AB34F1		340		-	SUZUKI	0.6	BR9ES	5722		BR9EIX	3981
AC34L2		340		-	SUZUKI	0.5	B10EG	3630			
AD34L1		340		-	SUZUKI	0.5	B10EG	3630			
AE34L2		340		-	SUZUKI	0.5	BR9ES	5722		BR9EIX	3981
AF34A1		340		-	SUZUKI	0.5	BR8ES	5422	Q207	BR8EIX	5044
Sno Pro 340		340		-	SUZUKI	0.5	B10EG	3630			
T1A400S1		398	2	-	KAWASAKI	0.7	B8ES	2411	Q201	BR8EIX	5044
T1B400S		398	2	-	KAWASAKI	0.7	B8ES	2411	Q201	BR8EIX	5044
AG44A9		431		-	SUZUKI	0.7	BR9ES	5722		BR9EIX	3981
AJ44L1		431		-	SUZUKI	0.8	BR9ES	5722		BR9EIX	3981
AJ44L2		431		-	SUZUKI	0.8	BR9ES	5722		BR9EIX	3981
AJ44L3		431		-	SUZUKI	0.8	BR9ES	5722		BR9EIX	3981
AK44A1		431		-	SUZUKI	0.8	BR9ES	5722		BR9EIX	3981
AK44A7		431		-	SUZUKI	0.8	BR9ES	5722		BR9EIX	3981
AK44A8		431		-	SUZUKI	0.8	BR9ES	5722		BR9EIX	3981
AH44A9		436		-	SUZUKI	0.7	BR9ES	5722		BR9EIX	3981
AH44L6		436		-	SUZUKI	0.8	BR9ES	5722		BR9EIX	3981
AJ44L4		436		-	SUZUKI	0.8	BR9ES	5722		BR9EIX	3981
AJ44L5		436		-	SUZUKI	0.8	BR9ES	5722		BR9EIX	3981
AK44A1A		436		-	SUZUKI	0.8	BR9ES	5722		BR9EIX	3981
AK44A2		436		-	SUZUKI	0.8	BR9ES	5722		BR9EIX	3981
AK44A2A		436		-	SUZUKI	0.8	BR9ES	5722		BR9EIX	3981
AK44A3		436		-	SUZUKI	0.8	BR9ES	5722		BR9EIX	3981
AK44A3A		436		-	SUZUKI	0.8	BR9ES	5722		BR9EIX	3981
AK44A4		436		-	SUZUKI	0.8	BR9ES	5722		BR9EIX	3981
AK44A4A		436		-	SUZUKI	0.8	BR9ES	5722		BR9EIX	3981
AK44A4B		436		-	SUZUKI	0.8	BR9ES	5722		BR9EIX	3981
AK44A5		436		-	SUZUKI	0.8	BR9ES	5722		BR9EIX	3981
AK44A5A		436		-	SUZUKI	0.8	BR9ES	5722		BR9EIX	3981
AK44A5B		436		-	SUZUKI	0.8	BR9ES	5722		BR9EIX	3981
AL44L1		436		-	SUZUKI	0.8	BR9ES	5722		BR9EIX	3981
AL44L2		436		-	SUZUKI	0.8	BR9ES	5722		BR9EIX	3981
AL44L3		436		-	SUZUKI	0.8	BR9ES	5722		BR9EIX	3981
AL44L5		436		-	SUZUKI	0.8	BR9ES	5722		BR9EIX	3981
AM44L1		436		-	SUZUKI	0.8	BR9ES	5722		BR9EIX	3981
AM44L2		436		-	SUZUKI	0.8	BR9ES	5722		BR9EIX	3981

\*Bitte Elektrodenabstand nach Angaben des Herstellers justieren

\*Please adjust the ground electrode gap

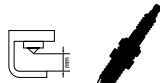
\*Veuillez vérifier l'écartement

\* Por favor, ajustar la distancia entre los electrodos

\*Regolare il gap

\* Iridium IX Spark Plug is the standard recommendation





Stock No.

Quick No.

Upgrade ↑

Stock No. ↑

**ARCTCO**

AN44L1		436		-	SUZUKI	0.8	BR9ES	5722		BR9EIX	3981
AR44L1		436		-	SUZUKI	0.8	BR9ES	5722		BR9EIX	3981
T1A440S1		436	2	-	KAWASAKI	0.7	B8ES	2411	Q201	BR8EIX	5044
T1B440D1A		436	2	-	KAWASAKI	*	BUE	2322			
T1B440S		436	2	-	KAWASAKI	0.7	B8ES	2411	Q201	BR8EIX	5044
T1C440S1A		436		-	KAWASAKI	0.7	B8ES	2411	Q201	BR8EIX	5044
T1C440S2A		436		-	KAWASAKI	0.7	B8ES	2411	Q201	BR8EIX	5044
T1D440A2A		436		-	KAWASAKI	0.7	B8ES	2411	Q201	BR8EIX	5044
AR44L1		438		-	SUZUKI	0.8	BR9ES	5722		BR9EIX	3981
AB44F1		440		-	SUZUKI	0.5	BR8ES	5422	Q207	BR8EIX	5044
AB44F2		440		-	SUZUKI	0.6	BR9ES	5722		BR9EIX	3981
AC44A1		440		-	SUZUKI	0.6	BR8ES	5422	Q207	BR8EIX	5044
AC44A2		440		-	SUZUKI	0.5	BR8ES	5422	Q207	BR8EIX	5044
AC44A3		440		-	SUZUKI	0.5	BR9ES	5722		BR9EIX	3981
AD44L1		440		-	SUZUKI	0.6	BR9ES	5722		BR9EIX	3981
AE44L2		440		-	SUZUKI	0.5	B10EG	3630			
AF44L1		440		-	SUZUKI	0.5	BR9ES	5722		BR9EIX	3981
AF44L2		440		-	SUZUKI	0.5	BR9ES	5722		BR9EIX	3981
AF44L3		440		-	SUZUKI	0.5	BR9ES	5722		BR9EIX	3981
AG44A1		440		-	SUZUKI	0.5	BR9ES	5722		BR9EIX	3981
AG44A2		440		-	SUZUKI	0.5	BR9ES	5722		BR9EIX	3981
Sno Pro 440		440		-	70hp	0.5	B10EG	3630			
AB50A1		500		-	SUZUKI	0.6	BR8ES	5422	Q207	BR8EIX	5044
AB50A2		500		-	SUZUKI	0.6	BR8ES	5422	Q207	BR8EIX	5044
AB50A3		500		-	SUZUKI	0.5	BR9ES	5722		BR9EIX	3981
AB50A4		500		-	SUZUKI	0.5	BR9ES	5722		BR9EIX	3981
AC50F1		500		-	SUZUKI	0.6	BR9ES	5722		BR9EIX	3981
AC50F2		500		-	SUZUKI	0.6	BR9ES	5722		BR9EIX	3981
AD50F1		500		-	SUZUKI	0.6	BR9ES	5722		BR9EIX	3981
AD50F2		500		-	SUZUKI	0.6	BR9ES	5722		BR9EIX	3981
AD50F3		500		-	SUZUKI	0.5	BR9ES	5722		BR9EIX	3981
AD50F4		500		-	SUZUKI	0.5	BR9ES	5722		BR9EIX	3981
AD50F5		500		-	SUZUKI	0.5	BR9ES	5722		BR9EIX	3981
AD50F6		500		-	SUZUKI	*	BR10EIX**	6801			
AE50A1		500		-	SUZUKI	0.6	BR9ES	5722		BR9EIX	3981
AE50A2		500		-	SUZUKI	0.5	BR9ES	5722		BR9EIX	3981
AH50L1		500		-	SUZUKI	0.5	BR9ES	5722		BR9EIX	3981
AH50L2		500		-	SUZUKI	0.5	BR9ES	5722		BR9EIX	3981
AL50A1		500		-	SUZUKI	0.5	BR9ES	5722		BR9EIX	3981
AL50A2		500		-	SUZUKI	0.5	BR9ES	5722		BR9EIX	3981
AL50A7		500		-	SUZUKI	0.7	BR9ES	5722		BR9EIX	3981
AM50A4		500		-	SUZUKI	0.7	BR9ES	5722		BR9EIX	3981
AM50A5		500		-	SUZUKI	0.8	BR9ES	5722		BR9EIX	3981
AA53L3		529		-	SUZUKI	*	BR10EIX**	6801			
AA53L4		529		-	SUZUKI	0.8	BR9ES	5722		BR9EIX	3981
AB53L5		529		-	SUZUKI	0.8	BR9ES	5722		BR9EIX	3981
AB53L6		529		-	SUZUKI	0.8	BR9ES	5722		BR9EIX	3981
AA55L1		550		-	SUZUKI	0.8	BR9ES	5722		BR9EIX	3981
AA55L2		550		-	SUZUKI	0.8	BR9ES	5722		BR9EIX	3981
AA55L3		550		-	SUZUKI	0.8	BR9ES	5722		BR9EIX	3981
AA55L5		550		-	SUZUKI	0.8	BR9ES	5722		BR9EIX	3981
AA55L6		550		-	SUZUKI	0.8	BR9ES	5722		BR9EIX	3981

\*Bitte Elektrodenabstand nach Angaben des Herstellers justieren

\*Please adjust the ground electrode gap

\*Veuillez vérifier l'écartement

\* Por favor, ajustar la distancia entre los electrodos

\*Regolare il gap

\*\* Iridium IX Spark Plug is the standard recommendation





Stock No.

Quick No.

Upgrade ↑

Stock No. ↑

**ARCTCO**

AB55L1		550	-	SUZUKI	0.8	BR9ES	5722		BR9EIX	3981
AB55L2		550	-	SUZUKI	0.8	BR9ES	5722		BR9EIX	3981
AA58L2		580	-	SUZUKI	0.8	BR9ES	5722		BR9EIX	3981
AB58L3		580	-	SUZUKI	0.8	BR9ES	5722		BR9EIX	3981
AB58L4		580	-	SUZUKI	0.8	BR9ES	5722		BR9EIX	3981
AC58L5		580	-	SUZUKI	0.8	BR9ES	5722		BR9EIX	3981
AA60L2		594	-	SUZUKI	0.8	BR9ES	5722		BR9EIX	3981
AA65L1		650	-	SUZUKI	*	BR10EIX**	6801			
AA65L2		650	-	SUZUKI	*	BR9EIX**	3981			
AA65L3		650	-	SUZUKI	0.8	BR9ES	5722		BR9EIX	3981
AA70L5		700	-	SUZUKI	0.8	BR9ES	5722		BR9EIX	3981
AA70L6		700	-	SUZUKI	0.8	BR9ES	5722		BR9EIX	3981
AB70L1		700	-	SUZUKI	0.8	BR9ES	5722		BR9EIX	3981
AB70L2		700	-	SUZUKI	0.8	BR9ES	5722		BR9EIX	3981
AB70L3		700	-	SUZUKI	0.8	BR9ES	5722		BR9EIX	3981
AC70L1		700	-	SUZUKI	0.8	BR9ES	5722		BR9EIX	3981
AC70L2		700	-	SUZUKI	0.8	BR9ES	5722		BR9EIX	3981
AC70L3		700	-	SUZUKI	0.8	BR9ES	5722		BR9EIX	3981
AA80L1		794	-	SUZUKI	0.8	BR9ES	5722		BR9EIX	3981
AA80L2		794	-	SUZUKI	0.8	BR9ES	5722		BR9EIX	3981
AA90L1		896	-	SUZUKI	0.8	BR9ES	5722		BR9EIX	3981
AA90L4		896	-	SUZUKI	0.8	BR9ES	5722		BR9EIX	3981

**ARCTIC CAT**

Kitty Cat 60		60	1	1977-		0.7	BR6HS	4200		BR6HIX	3419
Kitty Cat 60		60	1	1985-1991		0.7	BR6HS	4200		BR6HIX	3419
Kitty Cat 60		60	1	1992-1999		0.7	BR6HS	4200		BR6HIX	3419
AC 120 SnoPro	AC	120	1	2007-2009		0.9	BPR6ES	7822		BPR6EIX	6637
AC 120 SnoPro	AC	120	1	2010-2013		0.8	BPR4ES	7222			
F 120	F	120	1	2006-		0.9	BPR6ES	7822		BPR6EIX	6637
Z 120	Z	120	1	2000-2001		0.9	BPR6ES	7822		BPR6EIX	6637
Z 120 Sno-Pro	Z	120	1	2001-		0.9	BPR6ES	7822		BPR6EIX	6637
ZR 120	ZR	120	1	2002-2005		0.9	BPR6ES	7822		BPR6EIX	6637
ZR 120	ZR	120	1	2014-2015		0.8	BPR4ES	7222			
Lynx Single 250		250	2	1979-		0.7	BR9ES	5722		BR9EIX	3981
Lynx Single 250		250	2	1980-		0.7	BR9ES	5722		BR9EIX	3981
Z 250	Z	250	2	1977-		0.8	BR9EIX**	3981			
Z 250 El Tigre	Z	250	2	1975-		0.8	BR9EIX**	3981			
JAG 275	JAG	275	2	1976-		0.8	BR8ES	5422	Q207	BR8EIX	5044
JAG 2000	JAG	280	2	1978-1979		0.8	BR8ES	5422	Q207	BR8EIX	5044
JAG 2000	JAG	280	2	1980-		0.8	BR8ES	5422	Q207	BR8EIX	5044
Lynx Twin 280		280	2	1979-		0.8	BR8ES	5422	Q207	BR8EIX	5044
Lynx Twin 280		280	2	1980-		0.8	BR8ES	5422	Q207	BR8EIX	5044
Bearcat 340		340	2	1995-1997		0.7	BR9ES	5722		BR9EIX	3981
Bearcat 340		340	2	1998-2000		0.7	BR9EYA	7548		BR9EIX	3981
Cheetah 340		340	2	1975-		0.8	B8ES	2411	Q201	BR8EIX	5044
Cheetah 340		340	2	1994-		0.7	BR9ES	5722		BR9EIX	3981
Cross Country Cat 340		340	2	1976-		0.7	BR9ES	5722		BR9EIX	3981
Cross Country Cat 340		340	2	1977-		0.8	BR9EIX**	3981			
El Tigre 340		340	2	1975-		0.8	BR9EIX**	3981			
JAG 3000	JAG	340	2	1978-		0.8	BR8ES	5422	Q207	BR8EIX	5044
JAG 3000 F/A	JAG	340	2	1979-1980		0.8	BR8ES	5422	Q207	BR8EIX	5044
JAG 3000 F/C	JAG	340	2	1979-1980		0.8	BR8ES	5422	Q207	BR8EIX	5044

\*Bitte Elektrodenabstand nach Angaben des Herstellers justieren

\*Please adjust the ground electrode gap

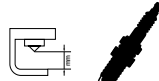
\*Veuillez vérifier l'écartement

\* Por favor, ajustar la distancia entre los electrodos

\*Regolare il gap

\* Iridium IX Spark Plug is the standard recommendation





Stock No.

Quick No.

Upgrade ↑

Stock No. ↑

**ARCTIC CAT**

<b>JAG 340</b>	JAG	340	2	1975-		0.8	BR8ES	5422	Q207	BR8EIX	5044
<b>JAG 340</b>	JAG	340	2	1976-1977		0.8	BR8ES	5422	Q207	BR8EIX	5044
<b>JAG 340</b>	JAG	340	2	1987-		0.8	BR8ES	5422	Q207	BR8EIX	5044
<b>JAG 340</b>	JAG	340	2	1988-1989		0.8	BR8ES	5422	Q207	BR8EIX	5044
<b>JAG 340</b>	JAG	340	2	1997-		0.7	BR9ES	5722		BR9EIX	3981
<b>JAG 340 Deluxe</b>	JAG	340	2	1988-1989		0.8	BR8ES	5422	Q207	BR8EIX	5044
<b>JAG 340 Deluxe</b>	JAG	340	2	1997-		0.7	BR9ES	5722		BR9EIX	3981
<b>Lynx 340</b>		340	2	1991-1992		0.7	BR9ES	5722		BR9EIX	3981
<b>Lynx 340</b>		340	2	1993-		0.7	BR9ES	5722		BR9EIX	3981
<b>Lynx 340 Deluxe</b>		340	2	1991-1992		0.7	BR9ES	5722		BR9EIX	3981
<b>Lynx 340 Deluxe</b>		340	2	1993-		0.7	BR9ES	5722		BR9EIX	3981
<b>Lynx 340 Mountain Cat</b>		340	2	1992-		0.7	BR9ES	5722		BR9EIX	3981
<b>Lynx 340 Mountain Cat</b>		340	2	1993-		0.7	BR9ES	5722		BR9EIX	3981
<b>Pantera 340</b>		340	2	1975-		0.8	B8ES	2411	Q201	BR8EIX	5044
<b>Panther 340</b>		340	2	1998-2000		0.7	BR9EYA	7548		BR9EIX	3981
<b>Puma 340</b>		340	2	1994-1997		0.7	BR9ES	5722		BR9EIX	3981
<b>Puma 340 2-up</b>		340	2	1994-1997		0.7	BR9ES	5722		BR9EIX	3981
<b>Puma 340 Deluxe</b>		340	2	1994-1997		0.7	BR9ES	5722		BR9EIX	3981
<b>Trail Cat 3000</b>		340	2	1980-		0.8	BR8ES	5422	Q207	BR8EIX	5044
<b>Trail Cat 340</b>		340	2	1979-		0.8	BR8ES	5422	Q207	BR8EIX	5044
<b>Z 340</b>	Z	340	2	1977-		0.8	BR9EIX**	3981			
<b>Z 340 El Tigre</b>	Z	340	2	1975-		0.8	BR9EIX**	3981			
<b>Panther 370</b>		370	2	2001-		0.7	BR9EYA	7548		BR9EIX	3981
<b>Panther 370</b>		370	2	2007-2008		0.7	BR9EYA	7548		BR9EIX	3981
<b>Panther 370 R</b>		370	2	2003-2006		0.7	BR9EYA	7548		BR9EIX	3981
<b>Z 370</b>	Z	370	2	1999-2007		0.7	BR9EYA	7548		BR9EIX	3981
<b>Z 370 ES</b>	Z	370	2	2000-2002		0.7	BR9EYA	7548		BR9EIX	3981
<b>Z 370 ESR</b>	Z	370	2	2003-		0.7	BR9EYA	7548		BR9EIX	3981
<b>Z 370 LX</b>	Z	370	2	2004-2007		0.7	BR9EYA	7548		BR9EIX	3981
<b>ZR 400</b>	ZR	400		1996-		0.7	BR9ES	5722		BR9EIX	3981
<b>AC 440 Sno-Pro</b>	AC	440	2	2003-2006		0.7	BR9EYA	7548		BR9EIX	3981
<b>AC 440 Sno-Pro Modified Race Sled</b>	AC	440	2	2005-2006		0.7	BR9EYA	7548		BR9EIX	3981
<b>Bearcat 440</b>		440	2	1995-1997		0.7	BR9ES	5722		BR9EIX	3981
<b>Bearcat 440</b>		440	2	1998-		0.7	BR9EYA	7548		BR9EIX	3981
<b>Bearcat 440 I</b>		440	2	1999-2000		0.7	BR9EYA	7548		BR9EIX	3981
<b>Bearcat 440 II</b>		440	2	1999-2000		0.7	BR9EYA	7548		BR9EIX	3981
<b>Cheetah 440</b>		440	2	1975-		0.8	B8ES	2411	Q201	BR8EIX	5044
<b>Cheetah 440</b>		440	2	1976-		0.7	BR9ES	5722		BR9EIX	3981
<b>Cheetah 440</b>		440	2	1993-		0.7	BR9ES	5722		BR9EIX	3981
<b>Cheetah 440 1-Speed</b>		440	2	1994-		0.7	BR9ES	5722		BR9EIX	3981
<b>Cheetah 440 2-Speed</b>		440	2	1994-		0.7	BR9ES	5722		BR9EIX	3981
<b>Cheetah 440 Touring</b>		440	2	1988-1990		0.7	BR9ES	5722		BR9EIX	3981
<b>Cheetah 440 Touring</b>		440	2	1991-		0.7	BR9ES	5722		BR9EIX	3981
<b>Cheetah 440 Touring</b>		440	2	1992-		0.7	BR9ES	5722		BR9EIX	3981
<b>Cougar 440</b>		440	2	1991-		0.7	BR9ES	5722		BR9EIX	3981
<b>Cougar 440</b>		440	2	1992-1994		0.7	BR9ES	5722		BR9EIX	3981
<b>Cougar 440 2-Up</b>		440	2	1991-		0.7	BR9ES	5722		BR9EIX	3981
<b>Cougar 440 2-Up</b>		440	2	1992-		0.7	BR9ES	5722		BR9EIX	3981
<b>Cougar 440 Mountain Cat</b>		440	2	1993-1994		0.7	BR9ES	5722		BR9EIX	3981
<b>El Tigre 4000</b>		440	2	1977-		0.8	BR8ES	5422	Q207	BR8EIX	5044
<b>El Tigre 440</b>		440	2	1975-		0.8	BR9EIX**	3981			

\*Bitte Elektrodenabstand nach Angaben des Herstellers justieren

\*Please adjust the ground electrode gap

\*Veuillez vérifier l'écartement

\* Por favor, ajustar la distancia entre los electrodos

\*Regolare il gap

\*\* Iridium IX Spark Plug is the standard recommendation





Stock No.

Quick No.

Upgrade ↑

Stock No. ↑

**ARCTIC CAT**

<b>El Tigre 440</b>		440	2	1976-		0.8	BR8ES	5422	Q207	BR8EIX	5044
<b>El Tigre 440 L/C</b>		440	2	1979-		0.7	BR9ES	5722		BR9EIX	3981
<b>El Tigre 5000</b>		440	2	1987-1988		0.7	BR9ES	5722		BR9EIX	3981
<b>El Tigre 6000 L/C</b>		440	2	1978-		0.7	BR9ES	5722		BR9EIX	3981
<b>JAG 440</b>	JAG	440	2	1981-		0.7	BR9ES	5722		BR9EIX	3981
<b>JAG 440</b>	JAG	440	2	1985-1987		0.7	BR9ES	5722		BR9EIX	3981
<b>JAG 440</b>	JAG	440	2	1988-		0.8	BR8ES	5422	Q207	BR8EIX	5044
<b>JAG 440</b>	JAG	440	2	1990-		0.8	BR8ES	5422	Q207	BR8EIX	5044
<b>JAG 440</b>	JAG	440	2	1991-1996		0.7	BR9ES	5722		BR9EIX	3981
<b>JAG 440</b>	JAG	440	2	1998-1999		0.7	BR9EYA	7548		BR9EIX	3981
<b>JAG 440 AFS</b>	JAG	440	2	1989-1990		0.7	BR9ES	5722		BR9EIX	3981
<b>JAG 440 AFS</b>	JAG	440	2	1991-		0.7	BR9ES	5722		BR9EIX	3981
<b>JAG 440 AFS Deluxe</b>	JAG	440	2	1990-		0.7	BR9ES	5722		BR9EIX	3981
<b>JAG 440 AFS Deluxe</b>	JAG	440	2	1991-		0.7	BR9ES	5722		BR9EIX	3981
<b>JAG 440 AFS Long Track</b>	JAG	440	2	1990-		0.7	BR9ES	5722		BR9EIX	3981
<b>JAG 440 AFS Long Track</b>	JAG	440	2	1991-		0.7	BR9ES	5722		BR9EIX	3981
<b>JAG 440 AFS LT</b>	JAG	440	2	1991-1993		0.7	BR9ES	5722		BR9EIX	3981
<b>JAG 440 AFS Special</b>	JAG	440	2	1991-		0.7	BR9ES	5722		BR9EIX	3981
<b>JAG 440 DELUXE</b>	JAG	440	2	1990-		0.8	BR8ES	5422	Q207	BR8EIX	5044
<b>JAG 440 DELUXE</b>	JAG	440	2	1991-1996		0.7	BR9ES	5722		BR9EIX	3981
<b>JAG 440 DELUXE</b>	JAG	440	2	1998-1999		0.7	BR9EYA	7548		BR9EIX	3981
<b>JAG 440 Liquid</b>	JAG	440	2	1996-		0.7	BR9ES	5722		BR9EIX	3981
<b>JAG 440 Long Track</b>	JAG	440	2	1981-		0.7	BR9ES	5722		BR9EIX	3981
<b>JAG 440 Mountain Cat</b>	JAG	440	2	1990-1991		0.8	BR8ES	5422	Q207	BR8EIX	5044
<b>JAG 440 Special</b>	JAG	440	2	1991-1992		0.7	BR9ES	5722		BR9EIX	3981
<b>JAG 440 Z</b>	JAG	440	2	1993-1994		0.7	BR9ES	5722		BR9EIX	3981
<b>Pantera 440</b>		440	2	1975-		0.8	B8ES	2411	Q201	BR8EIX	5044
<b>Pantera 440</b>		440	2	1985-1986		0.7	BR9ES	5722		BR9EIX	3981
<b>Pantera 440</b>		440	2	1987-1989		0.7	BR9ES	5722		BR9EIX	3981
<b>Pantera 440</b>		440	2	1990-		0.7	BR9ES	5722		BR9EIX	3981
<b>Pantera 440</b>		440	2	1991-1992		0.7	BR9ES	5722		BR9EIX	3981
<b>Panther 4000</b>		440	2	1977-1978		0.7	BR9ES	5722		BR9EIX	3981
<b>Panther 440</b>		440	2	1975-		0.8	B8ES	2411	Q201	BR8EIX	5044
<b>Panther 440</b>		440	2	1976-		0.8	BR8ES	5422	Q207	BR8EIX	5044
<b>Panther 440</b>		440	2	1980-1981		0.7	BR9ES	5722		BR9EIX	3981
<b>Panther 440</b>		440	2	1984-		0.7	BR9ES	5722		BR9EIX	3981
<b>Panther 440</b>		440	2	1985-		0.7	BR9ES	5722		BR9EIX	3981
<b>Panther 440</b>		440	2	1989-1990		0.7	BR9ES	5722		BR9EIX	3981
<b>Panther 440</b>		440	2	1991-1993		0.7	BR9ES	5722		BR9EIX	3981
<b>Panther 440</b>		440	2	1997-		0.7	BR9ES	5722		BR9EIX	3981
<b>Panther 440</b>		440	2	1998-2002		0.7	BR9EYA	7548		BR9EIX	3981
<b>Panther 440 Deluxe</b>		440	2	1991-1996		0.7	BR9ES	5722		BR9EIX	3981
<b>Panther 440 ESR</b>		440	2	2001-		0.7	BR9EYA	7548		BR9EIX	3981
<b>Panther 440 LC</b>		440	2	1996-		0.7	BR9ES	5722		BR9EIX	3981
<b>Panther 440 Mountain Cat</b>		440	2	1990-		0.7	BR9ES	5722		BR9EIX	3981
<b>Panther 440 Mountain Cat</b>		440	2	1991-		0.7	BR9ES	5722		BR9EIX	3981
<b>Panther 440 Rental</b>		440	2	1995-		0.7	BR9ES	5722		BR9EIX	3981
<b>Panther 440 West</b>		440	2	1981-		0.7	BR9ES	5722		BR9EIX	3981
<b>Prowler 2-Up 440</b>		440	2	1991-1992		0.7	BR9ES	5722		BR9EIX	3981
<b>Prowler 440</b>		440	2	1990-1992		0.7	BR9ES	5722		BR9EIX	3981

\* Bitte Elektrodenabstand nach Angaben des Herstellers justieren

\* Please adjust the ground electrode gap

\* Veuillez vérifier l'écartement

\* Por favor, ajustar la distancia entre los electrodos

\* Regolare il gap

\* Iridium IX Spark Plug is the standard recommendation







Stock No.

Quick No.

Upgrade ↑

Stock No. ↑

**ARCTIC CAT**

<b>Prowler Mountain Cat 440</b>		440	2	1991-1992		0.7	BR9ES	5722		BR9EIX	3981
<b>Prowler Special 440</b>		440	2	1991-		0.7	BR9ES	5722		BR9EIX	3981
<b>Prowler Special 440</b>		440	2	1992-		0.7	BR9ES	5722		BR9EIX	3981
<b>Super JAG 440</b>	JAG	440	2	1987-		0.7	BR9ES	5722		BR9EIX	3981
<b>Super JAG 440</b>	JAG	440	2	1988-1990		0.7	BR9ES	5722		BR9EIX	3981
<b>Super JAG 440</b>	JAG	440	2	1991-		0.7	BR9ES	5722		BR9EIX	3981
<b>Super JAG 440</b>	JAG	440	2	1992-		0.7	BR9ES	5722		BR9EIX	3981
<b>Trail Cat 4000</b>		440	2	1980-		0.7	BR9ES	5722		BR9EIX	3981
<b>Trail Cat 440</b>		440	2	1981-		0.7	BR9ES	5722		BR9EIX	3981
<b>Z 440</b>	Z	440	2	1976-		0.7	BR9ES	5722		BR9EIX	3981
<b>Z 440</b>	Z	440	2	1977-		0.8	BR9EIX**	3981			
<b>Z 440</b>	Z	440	2	1995-1997		0.7	BR9ES	5722		BR9EIX	3981
<b>Z 440</b>	Z	440	2	1998-2002		0.7	BR9EYA	7548		BR9EIX	3981
<b>Z 440 El Tigre</b>	Z	440	2	1975-		0.8	BR9EIX**	3981			
<b>Z 440 ES</b>	Z	440	2	2000-2002		0.7	BR9EYA	7548		BR9EIX	3981
<b>Z 440 ESR</b>	Z	440	2	2003-		0.7	BR9EYA	7548		BR9EIX	3981
<b>Z 440 LX</b>	Z	440	2	2004-2006		0.7	BR9EYA	7548		BR9EIX	3981
<b>Z 440 Sno-Pro</b>	Z	440	2	2000-2003		0.7	BR9EYA	7548		BR9EIX	3981
<b>ZL 440</b>	ZL	440	2	1996-1997		0.7	BR9ES	5722		BR9EIX	3981
<b>ZL 440</b>	ZL	440	2	1998-2000		0.7	BR9EYA	7548		BR9EIX	3981
<b>ZR 440</b>	ZR	440	2	1993-1997		0.7	BR9ES	5722		BR9EIX	3981
<b>ZR 440</b>	ZR	440	2	1998-		0.7	BR9EYA	7548		BR9EIX	3981
<b>ZR 440 Sno-Pro</b>	ZR	440	2	1998-		0.7	BR9EYA	7548		BR9EIX	3981
<b>ZR 440 Sno-Pro</b>	ZR	440	2	1999-		0.7	BR9EYA	7548		BR9EIX	3981
<b>ZR 440 Sno-Pro</b>	ZR	440	2	2002-2002		0.7	BR9EYA	7548		BR9EIX	3981
<b>ZR 440 Sno-Pro Cross Country</b>	ZR	440	2	2000-2001		0.7	BR9EYA	7548		BR9EIX	3981
<b>ZR 440 Sno-Pro Sno-Cross</b>	ZR	440	2	2000-2001		0.7	BR9EYA	7548		BR9EIX	3981
<b>500 Sno-Pro</b>		500	2	2010-2014		0.7	BR9EYA	7548		BR9EIX	3981
<b>Cheetah 500</b>		500	2	1976-		0.8	BR8ES	5422	Q207	BR8EIX	5044
<b>Cheetah 500</b>		500	2	1977-1978		0.7	BR9ES	5722		BR9EIX	3981
<b>Cheetah 500</b>		500	2	1986-1987		0.7	BR9ES	5722		BR9EIX	3981
<b>Cheetah 500</b>		500	2	1988-		0.7	BR9ES	5722		BR9EIX	3981
<b>Cheetah 530</b>		500	2	1987-1988		0.8	BR10EIX**	6801			
<b>Cougar 500</b>		500	2	1985-1987		0.7	BR9ES	5722		BR9EIX	3981
<b>Cougar 500</b>		500	2	1988-1990		0.7	BR9ES	5722		BR9EIX	3981
<b>Cougar 500 Mountain Cat</b>		500	2	1989-1990		0.7	BR9ES	5722		BR9EIX	3981
<b>Cougar 500 Special Edition</b>		500	2	1985-		0.7	BR9ES	5722		BR9EIX	3981
<b>CrossFire 500 EFI</b>	CF	500	2	2007-2009		0.7	BR9EYA	7548		BR9EIX	3981
<b>El Tigre 500</b>		500	2	1976-		0.8	BR8ES	5422	Q207	BR8EIX	5044
<b>El Tigre 5000</b>		500	2	1977-		0.7	BR9ES	5722		BR9EIX	3981
<b>El Tigre 5000 F/A</b>		500	2	1978-		0.7	BR9ES	5722		BR9EIX	3981
<b>El Tigre 500 F/A</b>		500	2	1979-1980		0.7	BR9ES	5722		BR9EIX	3981
<b>El Tigre 500 F/C</b>		500	2	1981-		0.7	BR9ES	5722		BR9EIX	3981
<b>El Tigre 500 L/C</b>		500	2	1980-		0.7	BR9ES	5722		BR9EIX	3981
<b>El Tigre 500 L/C</b>		500	2	1981-		0.8	BR10EIX**	6801			
<b>El Tigre 6000</b>		500	2	1984-1985		0.8	BR10EIX**	6801			
<b>F 5</b>	F	500	2	2013-2014		0.7	BR9EYA	7548		BR9EIX	3981
<b>F 5 EFI</b>	F	500	2	2007-2009		0.7	BR9EYA	7548		BR9EIX	3981
<b>F 5 LXR</b>	F	500	2	2007-2012		0.7	BR9EYA	7548		BR9EIX	3981
<b>Firecat 500</b>		500	2	2003-2006		0.7	BR9EYA	7548		BR9EIX	3981

\*Bitte Elektrodenabstand nach Angaben des Herstellers justieren

\*Please adjust the ground electrode gap

\*Veuillez vérifier l'écartement

\* Por favor, ajustar la distancia entre los electrodos

\*Regolare il gap

\*\* Iridium IX Spark Plug is the standard recommendation





Stock No.

Quick No.

Upgrade ↑

Stock No. ↑

**ARCTIC CAT**

<b>Firecat 500 Sno-Pro</b>		500	2	2003-2006		0.7	BR9EYA	7548		BR9EIX	3981
<b>M 5</b>	M	500	2	2005-2006		0.7	BR9EYA	7548		BR9EIX	3981
<b>Mountain Cat 500</b>		500	2	2001-2002		0.7	BR9EYA	7548		BR9EIX	3981
<b>Pantera 500</b>		500	2	1976-		0.7	BR9ES	5722		BR9EIX	3981
<b>Pantera 500</b>		500	2	1979-		0.7	BR9ES	5722		BR9EIX	3981
<b>Pantera 500</b>		500	2	1980-1981		0.7	BR9ES	5722		BR9EIX	3981
<b>Pantera 500 F/A</b>		500	2	1977-1978		0.7	BR9ES	5722		BR9EIX	3981
<b>Pantera 500 F/C</b>		500	2	1977-1978		0.8	BR8ES	5422	Q207	BR8EIX	5044
<b>Panther 500</b>		500	2	1976-		0.8	BR8ES	5422	Q207	BR8EIX	5044
<b>Panther 500</b>		500	2	1979-		0.7	BR9ES	5722		BR9EIX	3981
<b>Panther 500</b>		500	2	1986-1987		0.7	BR9ES	5722		BR9EIX	3981
<b>Panther 500</b>		500	2	1988-		0.7	BR9ES	5722		BR9EIX	3981
<b>Panther 5000</b>		500	2	1977-1978		0.7	BR9ES	5722		BR9EIX	3981
<b>Powder Special 500 EFI</b>		500	2	1999-2000		0.7	BR9EYA	7548		BR9EIX	3981
<b>Powder Special 500 EFI LE</b>		500	2	2000-2000		0.7	BR9EYA	7548		BR9EIX	3981
<b>Sabercat 500</b>		500	2	2004-2006		0.7	BR9EYA	7548		BR9EIX	3981
<b>Sabercat 500 LX</b>		500	2	2004-2006		0.7	BR9EYA	7548		BR9EIX	3981
<b>T 500</b>	T	500	2	2007-2009		0.7	BR9EYA	7548		BR9EIX	3981
<b>ZL 500</b>	ZL	500	2	1998-		0.7	BR9EYA	7548		BR9EIX	3981
<b>ZL 500</b>	ZL	500	2	1999-2000		0.7	BR9EYA	7548		BR9EIX	3981
<b>ZL 500</b>	ZL	500	2	2002-2002		0.7	BR9EYA	7548		BR9EIX	3981
<b>ZL 500 EFI</b>	ZL	500	2	1999-2000		0.7	BR9EYA	7548		BR9EIX	3981
<b>ZL 500 EFI ESR</b>	ZL	500	2	2001-		0.7	BR9EYA	7548		BR9EIX	3981
<b>ZR 500</b>	ZR	500	2	1998-		0.7	BR9EYA	7548		BR9EIX	3981
<b>ZR 500</b>	ZR	500	2	1999-2002		0.7	BR9EYA	7548		BR9EIX	3981
<b>ZR 500 CC</b>	ZR	500	2	2002-2002		0.7	BR9EYA	7548		BR9EIX	3981
<b>ZR 500 EFI</b>	ZR	500	2	1999-2001		0.7	BR9EYA	7548		BR9EIX	3981
<b>ZR 500 EFI LE</b>	ZR	500	2	1999-		0.7	BR9EYA	7548		BR9EIX	3981
<b>ZR 500 LE</b>	ZR	500	2	1999-		0.7	BR9EYA	7548		BR9EIX	3981
<b>ZR 500 LE</b>	ZR	500	2	2002-2002		0.7	BR9EYA	7548		BR9EIX	3981
<b>Cheetah 530</b>		530	2	1986-1986		0.8	BR10ES	4832		BR10EIX	6801
<b>El Tigre 530</b>		530	2	1986-1986		0.8	BR10ES	4832		BR10EIX	6801
<b>El Tigre 530</b>		530	2	1987-		0.8	BR10EIX**	6801			
<b>El Tigre 6000</b>		530	2	1988-1989		0.8	BR10EIX**	6801			
<b>El Tigre EXT 530</b>		530	2	1989-1990		0.7	BR9ES	5722		BR9EIX	3981
<b>El Tigre EXT 530</b>		530	2	1991-		0.7	BR9ES	5722		BR9EIX	3981
<b>El Tigre EXT 530 Mountain Cat</b>		530	2	1989-1990		0.7	BR9ES	5722		BR9EIX	3981
<b>El Tigre EXT 530 Mountain Cat</b>		530	2	1991-		0.7	BR9ES	5722		BR9EIX	3981
<b>El Tigre EXT 530 Special</b>		530	2	1990-		0.7	BR9ES	5722		BR9EIX	3981
<b>Bearcat 550</b>		550	2	1995-1996		0.7	BR9ES	5722		BR9EIX	3981
<b>Bearcat Wide Track 550</b>		550	2	1996-1997		0.7	BR9ES	5722		BR9EIX	3981
<b>Bearcat Wide Track 550</b>		550	2	1998-		0.7	BR9EYA	7548		BR9EIX	3981
<b>Bearcat Wide Track 550</b>		550	2	1999-2002		0.7	BR9EYA	7548		BR9EIX	3981
<b>Cheetah 550</b>		550	2	1994-		0.7	BR9ES	5722		BR9EIX	3981
<b>Cougar 2-Up 550</b>		550	2	1996-		0.7	BR9ES	5722		BR9EIX	3981
<b>Cougar 550</b>		550	2	1995-1997		0.7	BR9ES	5722		BR9EIX	3981
<b>Cougar 550</b>		550	2	1998-		0.7	BR9EYA	7548		BR9EIX	3981
<b>Cougar Deluxe 550</b>		550	2	1998-		0.7	BR9EYA	7548		BR9EIX	3981

\* Bitte Elektrodenabstand nach Angaben des Herstellers justieren

\* Please adjust the ground electrode gap

\* Veuillez vérifier l'écartement

\* Por favor, ajustar la distancia entre los electrodos

\* Regolare il gap

\* Iridium IX Spark Plug is the standard recommendation





Stock No.

Quick No.

Upgrade ↑

Stock No. ↑

**ARCTIC CAT**

Cougar Mountain Cat 550		550	2	1995-1997		0.7	BR9ES	5722		BR9EIX	3981
Cougar Mountain Cat 550		550	2	1998-		0.7	BR9EYA	7548		BR9EIX	3981
EXT 550	EXT	550	2	1991-1993		0.7	BR9ES	5722		BR9EIX	3981
EXT 550 EFI	EXT	550	2	1993-		0.7	BR9ES	5722		BR9EIX	3981
EXT 550 EFI Mountain Cat	EXT	550	2	1993-		0.7	BR9ES	5722		BR9EIX	3981
EXT 550 Mountain Cat	EXT	550	2	1992-		0.7	BR9ES	5722		BR9EIX	3981
EXT 550 Special	EXT	550	2	1991-1992		0.7	BR9ES	5722		BR9EIX	3981
Pantera 550		550	2	1993-		0.7	BR9ES	5722		BR9EIX	3981
Pantera 550		550	2	2002-2005		0.7	BR9EYA	7548		BR9EIX	3981
Panther 550		550	2	1997-		0.7	BR9ES	5722		BR9EIX	3981
Panther 550		550	2	1998-		0.7	BR9EYA	7548		BR9EIX	3981
Panther 550		550	2	1999-2001		0.7	BR9EYA	7548		BR9EIX	3981
Prowler 2-Up 550		550	2	1993-1994		0.7	BR9ES	5722		BR9EIX	3981
Prowler 2-Up 550		550	2	1995-		0.7	BR9ES	5722		BR9EIX	3981
Prowler 550		550	2	1993-1994		0.7	BR9ES	5722		BR9EIX	3981
ZL550	ZL	550	2	2001-2003		0.7	BR9EYA	7548		BR9EIX	3981
ZL550 ESR	ZL	550	2	2000-2000		0.7	BR9EYA	7548		BR9EIX	3981
ZL550 ESR	ZL	550	2	2001-2003		0.7	BR9EYA	7548		BR9EIX	3981
Bearcat 570		570	2	2004-2014		0.7	BR9EYA	7548		BR9EIX	3981
Bearcat 570 XT		570	2	2009-2014		0.7	BR9EYA	7548		BR9EIX	3981
Bearcat 570 XTE		570	2	2014-		0.7	BR9EYA	7548		BR9EIX	3981
F 570	F	570	2	2008-2014		0.7	BR9EYA	7548		BR9EIX	3981
Mountain Cat 570		570	2	2002-2004		0.7	BR9EYA	7548		BR9EIX	3981
Panther 570		570	2	2002-2002		0.7	BR9EYA	7548		BR9EIX	3981
Panther 570		570	2	2004-2007		0.7	BR9EYA	7548		BR9EIX	3981
Panther 570 ESR		570	2	2002-2002		0.7	BR9EYA	7548		BR9EIX	3981
Panther 570 ESR		570	2	2003-		0.7	BR9EYA	7548		BR9EIX	3981
Panther 570 R		570	2	2002-2002		0.7	BR9EYA	7548		BR9EIX	3981
T 570 Touring	T	570	2	2008-2014		0.7	BR9EYA	7548		BR9EIX	3981
Z 570	Z	570	2	2002-2007		0.7	BR9EYA	7548		BR9EIX	3981
Z 570	Z	570	2	2002-2002		0.7	BR9EYA	7548		BR9EIX	3981
Z 570 ESR	Z	570	2	2002-2002		0.7	BR9EYA	7548		BR9EIX	3981
Z 570 ESR	Z	570	2	2003-		0.7	BR9EYA	7548		BR9EIX	3981
Z 570 LX	Z	570	2	2004-2007		0.7	BR9EYA	7548		BR9EIX	3981
Z 570 SS	Z	570	2	2002-2002		0.7	BR9EYA	7548		BR9EIX	3981
EXT 580	EXT	580	2	1994-1996		0.7	BR9ES	5722		BR9EIX	3981
EXT 580 EFI	EXT	580	2	1995-1997		0.7	BR9ES	5722		BR9EIX	3981
EXT 580 EFI	EXT	580	2	1998-		0.7	BR9EYA	7548		BR9EIX	3981
EXT 580 EFI DELUXE	EXT	580	2	1996-1997		0.7	BR9ES	5722		BR9EIX	3981
EXT 580 EFI DELUXE	EXT	580	2	1998-		0.7	BR9EYA	7548		BR9EIX	3981
EXT 580 EFI MC Deep Lug	EXT	580	2	1995-		0.7	BR9ES	5722		BR9EIX	3981
EXT 580 EFI Mountain cat	EXT	580	2	1994-1996		0.7	BR9ES	5722		BR9EIX	3981
EXT 580 EFI Mountain cat Wave	EXT	580	2	1994-		0.7	BR9ES	5722		BR9EIX	3981
EXT 580 Moutain Cat	EXT	580	2	1993-1994		0.7	BR9ES	5722		BR9EIX	3981
EXT 580 Moutain Cat Wave	EXT	580	2	1994-		0.7	BR9ES	5722		BR9EIX	3981
EXT 580 Powder Special	EXT	580	2	1995-1996		0.7	BR9ES	5722		BR9EIX	3981
EXT 580 Z	EXT	580	2	1993-1994		0.7	BR9ES	5722		BR9EIX	3981
Pantera 580		580	2	1994-1997		0.7	BR9ES	5722		BR9EIX	3981
Pantera 580		580	2	1998-		0.7	BR9EYA	7548		BR9EIX	3981

\* Bitte Elektrodenabstand nach Angaben des Herstellers justieren

\* Please adjust the ground electrode gap

\* Veuillez vérifier l'écartement

\* Por favor, ajustar la distancia entre los electrodos

\* Regolare il gap

\*\* Iridium IX Spark Plug is the standard recommendation





Stock No.

Quick No.

Upgrade ↑

Stock No. ↑

**ARCTIC CAT**

<b>Pantera 580 EFI</b>		580	2	1999-2001		0.7	BR9EYA	7548		BR9EIX	3981
<b>Powder Special 580</b>		580	2	1997-		0.7	BR9EYA	7548		BR9EIX	3981
<b>Powder Special 580 EFI</b>		580	2	1997-		0.7	BR9EYA	7548		BR9EIX	3981
<b>ZL 580 EFI ESR</b>	ZL	580	2	2000-2000		0.7	BR9EYA	7548		BR9EIX	3981
<b>ZR 580</b>	ZR	580	2	1993-1996		0.7	BR9ES	5722		BR9EIX	3981
<b>ZR 580</b>	ZR	580	2	1997-		0.7	BR9EYA	7548		BR9EIX	3981
<b>ZR 580 EFI</b>	ZR	580	2	1995-1996		0.7	BR9ES	5722		BR9EIX	3981
<b>ZR 580 EFI ETT</b>	ZR	580	2	1996-		0.7	BR9ES	5722		BR9EIX	3981
<b>600 Sno-Pro Cross Country Racer</b>		600	2	2011-2014		0.7	BR9EYA	7548		BR9EIX	3981
<b>600 Sno-Pro Factory Racer</b>		600	2	2010-2014		0.7	BR9EYA	7548		BR9EIX	3981
<b>600 Sno-Pro Racer</b>		600	2	2008-2009		0.7	BR9EYA	7548		BR9EIX	3981
<b>AC 600 Modified Sno-Pro</b>	AC	600	2	2007-		0.7	BR9EYA	7548		BR9EIX	3981
<b>CrossFire 600 EFI</b>	CF	600	2	2006-2011		0.7	BR9EYA	7548		BR9EIX	3981
<b>CrossFire 600 Sno-Pro</b>	CF	600	2	2006-		0.7	BR9EYA	7548		BR9EIX	3981
<b>EXT 600</b>	EXT	600	3	1997-		0.7	BR9ES	5722		BR9EIX	3981
<b>EXT 600 Tour</b>	EXT	600	3	1998-		0.7	BR9EYA	7548		BR9EIX	3981
<b>EXT 600 Triple</b>	EXT	600	3	1998-		0.7	BR9EYA	7548		BR9EIX	3981
<b>F6</b>	F	600	2	2007-2008		0.7	BR9EYA	7548		BR9EIX	3981
<b>F6 LXR</b>	F	600	2	2007-2008		0.7	BR9EYA	7548		BR9EIX	3981
<b>F6 Sno-Pro</b>	F	600	2	2007-2011		0.7	BR9EYA	7548		BR9EIX	3981
<b>Firecat 600</b>		600	2	2005-2006		0.7	BR9EYA	7548		BR9EIX	3981
<b>Firecat 600 Black Widow</b>		600	2	2005-		0.7	BR9EYA	7548		BR9EIX	3981
<b>Firecat 600 Early Build</b>		600	2	2004-		0.7	BR9EYA	7548		BR9EIX	3981
<b>Firecat 600 EXT</b>		600	2	2004-2005		0.7	BR9EYA	7548		BR9EIX	3981
<b>Firecat 600 Fighter</b>		600	2	2004-		0.7	BR9EYA	7548		BR9EIX	3981
<b>Firecat 600 Jocker</b>		600	2	2005-		0.7	BR9EYA	7548		BR9EIX	3981
<b>Firecat 600 Nightfire</b>		600	2	2004-		0.7	BR9EYA	7548		BR9EIX	3981
<b>Firecat 600 R</b>		600	2	2005-2006		0.7	BR9EYA	7548		BR9EIX	3981
<b>Firecat 600 Retro</b>		600	2	2005-		0.7	BR9EYA	7548		BR9EIX	3981
<b>Firecat 600 Sno-Pro</b>		600	2	2004-2006		0.7	BR9EYA	7548		BR9EIX	3981
<b>Firecat 600 Sno-Pro Black Widow</b>		600	2	2005-		0.7	BR9EYA	7548		BR9EIX	3981
<b>Firecat 600 Sno-Pro Fighter</b>		600	2	2004-		0.7	BR9EYA	7548		BR9EIX	3981
<b>Firecat 600 Sno-Pro Jocker</b>		600	2	2005-		0.7	BR9EYA	7548		BR9EIX	3981
<b>Firecat 600 Sno-Pro Nightfire</b>		600	2	2004-		0.7	BR9EYA	7548		BR9EIX	3981
<b>Firecat 600 Sno-Pro Retro</b>		600	2	2005-		0.7	BR9EYA	7548		BR9EIX	3981
<b>Firecat 600 Sno-Pro Team Arctic</b>		600	2	2004-2005		0.7	BR9EYA	7548		BR9EIX	3981
<b>Firecat 600 Sno-Pro Tiger</b>		600	2	2004-		0.7	BR9EYA	7548		BR9EIX	3981
<b>Firecat 600 Team Arctic</b>		600	2	2004-2005		0.7	BR9EYA	7548		BR9EIX	3981
<b>Firecat 600 Tiger</b>		600	2	2004-		0.7	BR9EYA	7548		BR9EIX	3981
<b>M6000 Sno-Pro</b>	M	600	2	2014-		0.7	BPR9ES	7788		BPR9EIX	6853
<b>M 6 EFI</b>	M	600	2	2005-2011		0.7	BR9EYA	7548		BR9EIX	3981
<b>Mountain Cat 600 EFI</b>		600	2	2001-2004		0.7	BR9EYA	7548		BR9EIX	3981
<b>Mountain Cat 600 EFI LE</b>		600	2	2001-2002		0.7	BR9EYA	7548		BR9EIX	3981
<b>Mountain Cat 600 VEV</b>		600	2	2001-		0.7	BR9EYA	7548		BR9EIX	3981
<b>Pantera 600</b>		600	2	2003-2005		0.7	BR9EYA	7548		BR9EIX	3981
<b>Pantera 600 ESR</b>		600	2	2002-2002		0.7	BR9EYA	7548		BR9EIX	3981

\*Bitte Elektrodenabstand nach Angaben des Herstellers justieren

\*Please adjust the ground electrode gap

\*Veuillez vérifier l'écartement

\* Por favor, ajustar la distancia entre los electrodos

\*Regolare il gap

\* Iridium IX Spark Plug is the standard recommendation





Stock No.

Quick No.

Upgrade ↑

Stock No. ↑

**ARCTIC CAT**

<b>Powder Extreme 600</b>		600	3	1997-		0.7	BR9ES	5722		BR9EIX	3981
<b>Powder Extreme 600</b>		600	3	1998-		0.7	BR9EYA	7548		BR9EIX	3981
<b>Powder Special 2K 600</b>		600	2	2000-2000		0.7	BR9EYA	7548		BR9EIX	3981
<b>Powder Special 600</b>		600	2	1998-		0.7	BR9EYA	7548		BR9EIX	3981
<b>Powder Special 600</b>		600	2	1999-		0.7	BR9EYA	7548		BR9EIX	3981
<b>Powder Special 600</b>		600	2	2000-2000		0.7	BR9EYA	7548		BR9EIX	3981
<b>Powder Special 600 EFI</b>		600	2	1998-		0.7	BR9EYA	7548		BR9EIX	3981
<b>Powder Special 600 EFI</b>		600	2	2000-2000		0.7	BR9EYA	7548		BR9EIX	3981
<b>Powder Special 600 EFI I</b>		600	2	1999-		0.7	BR9EYA	7548		BR9EIX	3981
<b>Powder Special 600 EFI II LE</b>		600	2	1999-		0.7	BR9EYA	7548		BR9EIX	3981
<b>Powder Special 600 EFI LE</b>		600	2	1998-		0.7	BR9EYA	7548		BR9EIX	3981
<b>Powder Special 600 EFI LE</b>		600	2	2000-2000		0.7	BR9EYA	7548		BR9EIX	3981
<b>Powder Special 600 LE</b>		600	2	2000-2000		0.7	BR9EYA	7548		BR9EIX	3981
<b>Sabercat 600</b>		600	2	2004-2005		0.7	BR9EYA	7548		BR9EIX	3981
<b>Sabercat 600 EXT</b>		600	2	2004-2005		0.7	BR9EYA	7548		BR9EIX	3981
<b>Sabercat 600 LX</b>		600	2	2004-2006		0.7	BR9EYA	7548		BR9EIX	3981
<b>Triple Touring 600</b>		600	3	1999-		0.7	BR9EYA	7548		BR9EIX	3981
<b>Triple Touring 600</b>		600	3	2000-2001		0.7	BR9EYA	7548		BR9EIX	3981
<b>ZL 600</b>	ZL	600	2	1999-2000		0.7	BR9EYA	7548		BR9EIX	3981
<b>ZL 600 EFI</b>	ZL	600	2	1999-2003		0.7	BR9EYA	7548		BR9EIX	3981
<b>ZL 600 EFI</b>		600	2	1999-2003		0.7	BR9EYA	7548		BR9EIX	3981
<b>ZL 600 EFI ESR</b>	ZL	600	2	2001-2003		0.7	BR9EYA	7548		BR9EIX	3981
<b>ZL 600 EFI SS</b>	ZL	600	2	2002-2003		0.7	BR9EYA	7548		BR9EIX	3981
<b>ZL 600 EFI SS ESR</b>	ZL	600	2	2002-2003		0.7	BR9EYA	7548		BR9EIX	3981
<b>ZR 600</b>	ZR	600	2	1999-		0.7	BR9EYA	7548		BR9EIX	3981
<b>ZR 600</b>	ZR	600	2	2000-2000		0.7	BR9EYA	7548		BR9EIX	3981
<b>ZR 600</b>	ZR	600	2	2001-2002		0.7	BR9EYA	7548		BR9EIX	3981
<b>ZR 6000 EL Tigre Sno-Pro ES LTD</b>	ZR	600	2	2014-		0.7	BPR9ES	7788		BPR9EIX	6853
<b>ZR 6000 EL Tigre Sno-Pro LTD</b>	ZR	600	2	2014-		0.7	BPR9ES	7788		BPR9EIX	6853
<b>ZR 6000 Sno-Pro LTD ES</b>	ZR	600	2	2015-		0.7	BPR9ES	7788		BPR9EIX	6853
<b>ZR 6000 Sno-Pro RR</b>	ZR	600	2	2014-		0.7	BPR9ES	7788		BPR9EIX	6853
<b>ZR 6000 Sno-Pro RR</b>	ZR	600	2	2015-		0.7	BPR9ES	7788		BPR9EIX	6853
<b>ZR 6000 Tucker Hibbert RR</b>	ZR	600	2	2015-		0.7	BPR9ES	7788		BPR9EIX	6853
<b>ZR 600 2ND RUN</b>	ZR	600	2	1998-		0.7	BR9EYA	7548		BR9EIX	3981
<b>ZR 600 Blair Morgan Signature Edition</b>	ZR	600	2	2000-2000		0.7	BR9EYA	7548		BR9EIX	3981
<b>ZR 600 CC</b>	ZR	600	2	2002-2002		0.7	BR9EYA	7548		BR9EIX	3981
<b>ZR 600 EFI</b>	ZR	600	2	1998-		0.7	BR9EYA	7548		BR9EIX	3981
<b>ZR 600 EFI</b>	ZR	600	2	1999-2001		0.7	BR9EYA	7548		BR9EIX	3981
<b>ZR 600 EFI LE</b>	ZR	600	2	1998-		0.7	BR9EYA	7548		BR9EIX	3981
<b>ZR 600 EFI LE</b>	ZR	600	2	1999-2001		0.7	BR9EYA	7548		BR9EIX	3981
<b>ZR 600 EFI LE Reverse</b>	ZR	600	2	2000-2000		0.7	BR9EYA	7548		BR9EIX	3981
<b>ZR 600 EFI LE XC</b>	ZR	600	2	1998-		0.7	BR9EYA	7548		BR9EIX	3981
<b>ZR 600 January</b>	ZR	600	2	1998-		0.7	BR9EYA	7548		BR9EIX	3981
<b>ZR 600 VEV</b>	ZR	600	2	2001-		0.7	BR9EYA	7548		BR9EIX	3981
<b>ZRT 600</b>	ZRT	600	3	1995-1997		0.7	BR9ES	5722		BR9EIX	3981
<b>ZRT 600</b>	ZRT	600	3	1998-1999		0.7	BR9EYA	7548		BR9EIX	3981
<b>ZRT 600</b>	ZRT	600	3	2000-2001		0.7	BR9EYA	7548		BR9EIX	3981

\* Bitte Elektrodenabstand nach Angaben des Herstellers justieren

\* Please adjust the ground electrode gap

\* Veuillez vérifier l'écartement

\* Por favor, ajustar la distancia entre los electrodos

\* Regolare il gap

\*\* Iridium IX Spark Plug is the standard recommendation





Stock No.

Quick No.

Upgrade ↑

Stock No. ↑

**ARCTIC CAT**

<b>ZRT 600</b>	ZRT	600	3	2002-2002		0.7	BR9EYA	7548		BR9EIX	3981
<b>ZRT 600 LE</b>	ZRT	600	3	2001-		0.7	BR9EYA	7548		BR9EIX	3981
<b>El Tigre 6000</b>		650	2	1987-		0.7	BR9ES	5722		BR9EIX	3981
<b>Wildcat 650</b>		650	2	1988-1989		0.8	BR10EIX**	6801			
<b>Wildcat 650</b>		650	2	1990-		0.7	BR9ES	5722		BR9EIX	3981
<b>Wildcat 650 Mountain Cat</b>		650	2	1989-1989		0.8	BR10EIX**	6801			
<b>Wildcat 650 Mountain Cat</b>		650	2	1990-		0.7	BR9ES	5722		BR9EIX	3981
<b>Bearcat Wide Track 660</b>		660	3	2003-2008		0.8	KR8AI	5477			
<b>Bearcat Wide Track WT660 Turbo</b>		660	3	2006-2008		0.8	KR8AI	5477			
<b>Panther 660 Touring</b>		660	3	2006-2008		0.8	KR8AI	5477			
<b>Panther 660 Trail</b>		660	3	2006-2007		0.8	KR8AI	5477			
<b>T 660 Touring</b>	T	660	3	2002-2002		0.8	DCPR7E	3932		DCPR7EIX	6046
<b>T 660 Touring</b>	T	660	3	2003-2008		0.8	KR8AI	5477			
<b>T 660 Trail</b>	T	660	3	2002-2002		0.8	DCPR7E	3932		DCPR7EIX	6046
<b>T 660 Turbo ST</b>	T	660	3	2005-2006		0.8	KR8AI	5477			
<b>T 660 Turbo ST Early Build</b>	T	660	3	2005-		0.8	KR8AI	5477			
<b>T 660 Turbo Touring</b>	T	660	3	2003-2007		0.8	KR8AI	5477			
<b>T 660 Turbo Touring LE</b>	T	660	3	2006-2007		0.8	KR8AI	5477			
<b>T 660 Turbo Trail</b>	T	660	3	2003-2007		0.8	KR8AI	5477			
<b>T 660 Turbo Trail LE</b>	T	660	3	2006-2007		0.8	KR8AI	5477			
<b>CrossFire 700</b>	CF	700	2	2006-		0.7	BR9EYA	7548		BR9EIX	3981
<b>CrossFire 700 Early Build</b>	CF	700	2	2006-		0.7	BR9EYA	7548		BR9EIX	3981
<b>CrossFire 700 Sno-Pro</b>	CF	700	2	2006-		0.7	BR9EYA	7548		BR9EIX	3981
<b>CrossFire 700 West Yellowstone</b>	CF	700	2	2006-		0.7	BR9EYA	7548		BR9EIX	3981
<b>Firecat 700</b>		700	2	2003-2006		0.7	BR9EYA	7548		BR9EIX	3981
<b>Firecat 700 Black Widow</b>		700	2	2005-		0.7	BR9EYA	7548		BR9EIX	3981
<b>Firecat 700 EXT</b>		700	2	2004-2005		0.7	BR9EYA	7548		BR9EIX	3981
<b>Firecat 700 Fighter</b>		700	2	2004-		0.7	BR9EYA	7548		BR9EIX	3981
<b>Firecat 700 Jocker</b>		700	2	2005-		0.7	BR9EYA	7548		BR9EIX	3981
<b>Firecat 700 Nightfire</b>		700	2	2004-		0.7	BR9EYA	7548		BR9EIX	3981
<b>Firecat 700 R</b>		700	2	2005-2006		0.7	BR9EYA	7548		BR9EIX	3981
<b>Firecat 700 Retro</b>		700	2	2005-		0.7	BR9EYA	7548		BR9EIX	3981
<b>Firecat 700 Sno-Pro</b>		700	2	2003-2006		0.7	BR9EYA	7548		BR9EIX	3981
<b>Firecat 700 Sno-Pro Black Widow</b>		700	2	2005-		0.7	BR9EYA	7548		BR9EIX	3981
<b>Firecat 700 Sno-Pro Fighter</b>		700	2	2004-		0.7	BR9EYA	7548		BR9EIX	3981
<b>Firecat 700 Sno-Pro Jocker</b>		700	2	2005-		0.7	BR9EYA	7548		BR9EIX	3981
<b>Firecat 700 Sno-Pro Nightfire</b>		700	2	2004-		0.7	BR9EYA	7548		BR9EIX	3981
<b>Firecat 700 Sno-Pro Retro</b>		700	2	2005-		0.7	BR9EYA	7548		BR9EIX	3981
<b>Firecat 700 Sno Pro Team Arctic</b>		700	2	2004-2005		0.7	BR9EYA	7548		BR9EIX	3981
<b>Firecat 700 Sno-Pro Tiger</b>		700	2	2004-		0.7	BR9EYA	7548		BR9EIX	3981
<b>Firecat 700 Team Arctic</b>		700	2	2004-2005		0.7	BR9EYA	7548		BR9EIX	3981
<b>Firecat 700 Tiger</b>		700	2	2004-		0.7	BR9EYA	7548		BR9EIX	3981
<b>Firecat 700 Towy Stewart Edition</b>		700	2	2006-		0.7	BR9EYA	7548		BR9EIX	3981
<b>M7</b>	M	700	2	2005-2006		0.7	BR9EYA	7548		BR9EIX	3981
<b>M7 CT</b>	M	700	2	2006-		0.7	BR9EYA	7548		BR9EIX	3981

\* Bitte Elektrodenabstand nach Angaben des Herstellers justieren

\* Please adjust the ground electrode gap

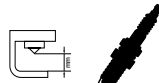
\* Veuillez vérifier l'écartement

\* Por favor, ajustar la distancia entre los electrodos

\* Regolare il gap

\* Iridium IX Spark Plug is the standard recommendation





Stock No.

Quick No.

Upgrade ↑

Stock No. ↑

**ARCTIC CAT**

<b>M7 LE CT</b>	M	700	2	2006-		0.7	BR9EYA	7548		BR9EIX	3981
<b>M7 West Yellowstone</b>	M	700	2	2006-		0.7	BR9EYA	7548		BR9EIX	3981
<b>Powder Special 700</b>		700	2	1999-2000		0.7	BR9EYA	7548		BR9EIX	3981
<b>Powder Special 700 LE</b>		700	2	1999-2000		0.7	BR9EYA	7548		BR9EIX	3981
<b>Sabercat 700</b>		700	2	2004-2005		0.7	BR9EYA	7548		BR9EIX	3981
<b>Sabercat 700 EXT</b>		700	2	2004-2006		0.7	BR9EYA	7548		BR9EIX	3981
<b>Sabercat 700 LX</b>		700	2	2004-2006		0.7	BR9EYA	7548		BR9EIX	3981
<b>Wildcat 700</b>		700	2	1991-1996		0.7	BR9ES	5722		BR9EIX	3981
<b>Wildcat 700 EFI</b>		700	2	1991-1994		0.7	BR9ES	5722		BR9EIX	3981
<b>Wildcat 700 EFI Mountain Cat</b>		700	2	1991-1994		0.7	BR9ES	5722		BR9EIX	3981
<b>Wildcat 700 MC Deep Lug</b>		700	2	1995-		0.7	BR9ES	5722		BR9EIX	3981
<b>Wildcat 700 Mountain Cat</b>		700	2	1991-1996		0.7	BR9ES	5722		BR9EIX	3981
<b>Wildcat 700 Touring</b>		700	2	1995-1996		0.7	BR9ES	5722		BR9EIX	3981
<b>ZL 700</b>	ZL	700	2	2000-2000		0.7	BR9EYA	7548		BR9EIX	3981
<b>ZR 700</b>	ZR	700	2	1994-1995		0.7	BR9ES	5722		BR9EIX	3981
<b>ZR 700</b>	ZR	700	2	1999-2000		0.7	BR9EYA	7548		BR9EIX	3981
<b>ZR 700 LE</b>	ZR	700	2	2000-2000		0.7	BR9EYA	7548		BR9EIX	3981
<b>ZR 700 LE Reverse</b>	ZR	700	2	2000-2000		0.7	BR9EYA	7548		BR9EIX	3981
<b>CrossFire 8 EFI Sno-Pro</b>	CF	800	2	2007-2011	Twin Spark	0.7	BR9EYA	7548		BR9EIX	3981
<b>CrossFire 8 EFI Sno-Pro LE</b>	CF	800	2	2009-2009	Twin Spark	0.7	BR9EYA	7548		BR9EIX	3981
<b>CrossFire 8 EFI Sno-Pro LTD</b>	CF	800	2	-	Twin Spark	0.7	BR9EYA	7548		BR9EIX	3981
<b>CrossFire EFI 8</b>	CF	800	2	2007-2011	Twin Spark	0.7	BR9EYA	7548		BR9EIX	3981
<b>CrossFireR 8</b>	CFR	800	2	2009-2011	Twin Spark	0.7	BR9EYA	7548		BR9EIX	3981
<b>CrossFireR 8 LE</b>	CFR	800	2	2009-2009	Twin Spark	0.7	BR9EYA	7548		BR9EIX	3981
<b>F 800 LXR</b>	F	800	2	2012-2013	Twin Spark	0.7	BR9EYA	7548		BR9EIX	3981
<b>F 800 SnoPro</b>	F	800	2	2012-2013	Twin Spark	0.7	BR9EYA	7548		BR9EIX	3981
<b>F 800 SnoPro 50th Anniversary</b>	F	800	2	2012-	Twin Spark	0.7	BR9EYA	7548		BR9EIX	3981
<b>F 800 SnoPro LTD</b>	F	800	2	2012-2013	Twin Spark	0.7	BR9EYA	7548		BR9EIX	3981
<b>F 800 SnoPro RR</b>	F	800	2	2013-	Twin Spark	0.7	BR9EYA	7548		BR9EIX	3981
<b>F 800 Tucker Hibbert Race Replica</b>	F	800	2	2013-	Twin Spark	0.7	BR9EYA	7548		BR9EIX	3981
<b>F 8 EFI</b>	F	800	2	2008-2010	Twin Spark	0.7	BR9EYA	7548		BR9EIX	3981
<b>F 8 EFI Sno-Pro</b>	F	800	2	2007-2010	Twin Spark	0.7	BR9EYA	7548		BR9EIX	3981
<b>F 8 EXT</b>	F	800	2	2011-	Twin Spark	0.7	BR9EYA	7548		BR9EIX	3981
<b>F 8 LE</b>	F	800	2	2009-2009	Twin Spark	0.7	BR9EYA	7548		BR9EIX	3981
<b>F 8 LXR</b>	F	800	2	2008-2011	Twin Spark	0.7	BR9EYA	7548		BR9EIX	3981
<b>F 8 Sno-Pro LXR LTD</b>	F	800	2	2011-	Twin Spark	0.7	BR9EYA	7548		BR9EIX	3981
<b>F 8 Sno-Pro Tony Stewart Edition</b>	F	800	2	2007-	Twin Spark	0.7	BR9EYA	7548		BR9EIX	3981
<b>M 8</b>	M	800	2	2007-2011	Twin Spark	0.7	BR9EYA	7548		BR9EIX	3981
<b>M 800</b>	M	800	2	2012-2013	Twin Spark	0.7	BR9EYA	7548		BR9EIX	3981
<b>M 8000</b>	M	800	2	2014-	Twin Spark	0.7	BR9EYA	7548		BR9EIX	3981
<b>M 8000 HCR</b>	M	800	2	2014-	Twin Spark	0.7	BR9EYA	7548		BR9EIX	3981
<b>M 8000 Sno-Pro</b>	M	800	2	2014-	Twin Spark	0.7	BR9EYA	7548		BR9EIX	3981
<b>M 8000 Sno-Pro LTD</b>	M	800	2	2014-	Twin Spark	0.7	BR9EYA	7548		BR9EIX	3981
<b>M 8000 Sno-Pro LTD ES</b>	M	800	2	2014-	Twin Spark	0.7	BR9EYA	7548		BR9EIX	3981
<b>M 800 HCR</b>	M	800	2	2012-2013	Twin Spark	0.7	BR9EYA	7548		BR9EIX	3981
<b>M 800 Sno-Pro</b>	M	800	2	2012-2013	Twin Spark	0.7	BR9EYA	7548		BR9EIX	3981
<b>M 800 Sno-Pro Anniversary</b>	M	800	2	2012-	Twin Spark	0.7	BR9EYA	7548		BR9EIX	3981

\*Bitte Elektrodenabstand nach Angaben des Herstellers justieren

\*Please adjust the ground electrode gap

\*Veuillez vérifier l'écartement

\* Por favor, ajustar la distancia entre los electrodos

\*Regolare il gap

\*\* Iridium IX Spark Plug is the standard recommendation





Stock No.

Quick No.

Upgrade ↑

Stock No. ↑

**ARCTIC CAT**

<b>M 800 Sno-Pro Anniversary</b>	M	800	2	2012-	Twin Spark	0.7	BR9EYA	7548		BR9EIX	3981
<b>M 800 Sno-Pro LTD</b>	M	800	2	2012-2013	Twin Spark	0.7	BR9EYA	7548		BR9EIX	3981
<b>M 8 HCR</b>	M	800	2	2009-2011	Twin Spark	0.7	BR9EYA	7548		BR9EIX	3981
<b>M 8 Sno-Pro</b>	M	800	2	2007-2011	Twin Spark	0.7	BR9EYA	7548		BR9EIX	3981
<b>M 8 Sno-Pro LE</b>	M	800	2	2009-2009	Twin Spark	0.7	BR9EYA	7548		BR9EIX	3981
<b>M 8 Sno-Pro LTD</b>	M	800	2	2011-	Twin Spark	0.7	BR9EYA	7548		BR9EIX	3981
<b>Mountain Cat 800</b>		800	2	2001-2004		0.7	BR9EYA	7548		BR9EIX	3981
<b>Mountain Cat 800 LE</b>		800	2	2001-2002		0.7	BR9EYA	7548		BR9EIX	3981
<b>Pantera 800</b>		800	3	1998-1999		0.7	BR9EYA	7548		BR9EIX	3981
<b>Pantera 800</b>		800	2	2003-2005		0.7	BR9EYA	7548		BR9EIX	3981
<b>Pantera 800 ESR</b>		800	2	2002-2002		0.7	BR9EYA	7548		BR9EIX	3981
<b>XF 8000 Cross Country LTD</b>	XF	800	2	2015-	Twin Spark	0.7	BR9EYA	7548		BR9EIX	3981
<b>XF 8000 Cross Country Sno-Pro</b>	XF	800	2	2014-	Twin Spark	0.7	BR9EYA	7548		BR9EIX	3981
<b>XF 8000 Cross Country Sno-Pro</b>	XF	800	2	2015-	Twin Spark	0.7	BR9EYA	7548		BR9EIX	3981
<b>XF 8000 CrossTour</b>	XF	800	2	2014-	Twin Spark	0.7	BR9EYA	7548		BR9EIX	3981
<b>XF 8000 CrossTour</b>	XF	800	2	2015-	Twin Spark	0.7	BR9EYA	7548		BR9EIX	3981
<b>XF 8000 High Country LTD</b>	XF	800	2	2015-	Twin Spark	0.7	BR9EYA	7548		BR9EIX	3981
<b>XF 8000 High Country Sno-Pro</b>	XF	800	2	2014-	Twin Spark	0.7	BR9EYA	7548		BR9EIX	3981
<b>XF 8000 High Country Sno-Pro</b>	XF	800	2	2015-	Twin Spark	0.7	BR9EYA	7548		BR9EIX	3981
<b>XF 8000 High Country Sno-Pro LTD ES</b>	XF	800	2	2014-	Twin Spark	0.7	BR9EYA	7548		BR9EIX	3981
<b>XF 8000 LXR</b>	XF	800	2	2014-	Twin Spark	0.7	BR9EYA	7548		BR9EIX	3981
<b>XF 8000 LXR</b>	XF	800	2	2015-	Twin Spark	0.7	BR9EYA	7548		BR9EIX	3981
<b>XF 8000 Sno-Pro</b>	XF	800	2	2014-	Twin Spark	0.7	BR9EYA	7548		BR9EIX	3981
<b>XF 8000 Sno-Pro</b>	XF	800	2	2015-	Twin Spark	0.7	BR9EYA	7548		BR9EIX	3981
<b>XF 8000 Sno-Pro LTD</b>	XF	800	2	2014-	Twin Spark	0.7	BR9EYA	7548		BR9EIX	3981
<b>XF 8000 Sno-Pro LTD</b>	XF	800	2	2015-	Twin Spark	0.7	BR9EYA	7548		BR9EIX	3981
<b>XF 800 CrossTour</b>	XF	800	2	2013-	Twin Spark	0.7	BR9EYA	7548		BR9EIX	3981
<b>XF 800 LXR</b>	XF	800	2	2012-2013	Twin Spark	0.7	BR9EYA	7548		BR9EIX	3981
<b>XF 800 Sno-Pro</b>	XF	800	2	2012-2013	Twin Spark	0.7	BR9EYA	7548		BR9EIX	3981
<b>XF 800 Sno-Pro 50th Anniversary</b>	XF	800	2	2012-	Twin Spark	0.7	BR9EYA	7548		BR9EIX	3981
<b>XF 800 Sno-Pro High Country</b>	XF	800	2	2012-2013	Twin Spark	0.7	BR9EYA	7548		BR9EIX	3981
<b>XF 800 Sno-Pro High Country LTD</b>	XF	800	2	2013-	Twin Spark	0.7	BR9EYA	7548		BR9EIX	3981
<b>XF 800 Sno-Pro LTD</b>	XF	800	2	2012-2013	Twin Spark	0.7	BR9EYA	7548		BR9EIX	3981
<b>ZL 800 ESR</b>	ZL	800	2	2001-2003		0.7	BR9EYA	7548		BR9EIX	3981
<b>ZL 800 ESR Illusion</b>	ZL	800	2	2001-		0.7	BR9EYA	7548		BR9EIX	3981
<b>ZL 800 SS</b>	ZL	800	2	2002-2003		0.7	BR9EYA	7548		BR9EIX	3981
<b>ZR 800</b>	ZR	800	2	2001-2003		0.7	BR9EYA	7548		BR9EIX	3981
<b>ZR 8000 LXR</b>	ZR	800	2	2014-	Twin Spark	0.7	BR9EYA	7548		BR9EIX	3981
<b>ZR 8000 LXR</b>	ZR	800	2	2015-	Twin Spark	0.7	BR9EYA	7548		BR9EIX	3981
<b>ZR 8000 Sno-Pro</b>	ZR	800	2	2014-	Twin Spark	0.7	BR9EYA	7548		BR9EIX	3981
<b>ZR 8000 Sno-Pro</b>	ZR	800	2	2015-	Twin Spark	0.7	BR9EYA	7548		BR9EIX	3981
<b>ZR 8000 Sno-Pro LTD</b>	ZR	800	2	2015-	Twin Spark	0.7	BR9EYA	7548		BR9EIX	3981
<b>ZR 8000 Sno-Pro LTD ES</b>	ZR	800	2	2014-	Twin Spark	0.7	BR9EYA	7548		BR9EIX	3981
<b>ZR 8000 Sno-Pro LTD ES</b>	ZR	800	2	2015-	Twin Spark	0.7	BR9EYA	7548		BR9EIX	3981
<b>ZR 8000 Sno-Pro LTD RR NE OS</b>	ZR	800	2	2014-	Twin Spark	0.7	BR9EYA	7548		BR9EIX	3981
<b>ZR 8000 Sno-Pro RR</b>	ZR	800	2	2014-	Twin Spark	0.7	BR9EYA	7548		BR9EIX	3981

\* Bitte Elektrodenabstand nach Angaben des Herstellers justieren

\* Please adjust the ground electrode gap

\* Veuillez vérifier l'écartement

\* Por favor, ajustar la distancia entre los electrodos

\* Regolare il gap

\* Iridium IX Spark Plug is the standard recommendation







Stock No.

Quick No.

Upgrade ↑

Stock No. ↑

**ARCTIC CAT**

<b>ZR 8000 Sno-Pro RR</b>	ZR	800	2	2015-	Twin Spark	0.7	BR9EYA	7548		BR9EIX	3981
<b>ZR 800 CC</b>	ZR	800	2	2002-2002		0.7	BR9EYA	7548		BR9EIX	3981
<b>ZR 800 LE</b>	ZR	800	2	2001-		0.7	BR9EYA	7548		BR9EIX	3981
<b>ZR 800 Sno-Pro</b>	ZR	800	2	2003-		0.7	BR9EYA	7548		BR9EIX	3981
<b>ZRT 800 LE</b>	ZRT	800	3	2001-		0.7	BR9EYA	7548		BR9EIX	3981
<b>King Cat 900</b>		900	2	2004-2006		0.7	BR9EYA	7548		BR9EIX	3981
<b>King Cat 900 Early Build</b>		900	2	2005-		0.7	BR9EYA	7548		BR9EIX	3981
<b>Mountain Cat 900</b>		900	2	2003-2004		0.7	BR9EYA	7548		BR9EIX	3981
<b>Mountain Cat 900 1M</b>		900	2	2003-		0.7	BR9EYA	7548		BR9EIX	3981
<b>Mountain Cat 900 Early Build</b>		900	2	2003-		0.7	BR9EYA	7548		BR9EIX	3981
<b>Thundercat 900</b>		900	3	1993-		0.7	BR9ES	5722		BR9EIX	3981
<b>Thundercat 900</b>		900	3	1994-1997		0.7	BR9ES	5722		BR9EIX	3981
<b>Thundercat 900 MC</b>		900	3	1997-		0.7	BR9ES	5722		BR9EIX	3981
<b>Thundercat 900 MC Deep Lug</b>		900	3	1995-		0.7	BR9ES	5722		BR9EIX	3981
<b>Thundercat 900 Mountain Cat</b>		900	3	1994-1996		0.7	BR9ES	5722		BR9EIX	3981
<b>Thundercat 900 Mountain Cat W</b>		900	3	1994-		0.7	BR9ES	5722		BR9EIX	3981
<b>ZR 900</b>	ZR	900	2	2003-2006		0.7	BR9EYA	7548		BR9EIX	3981
<b>ZR 900 Early Build</b>	ZR	900	2	2003-		0.7	BR9EYA	7548		BR9EIX	3981
<b>ZR 900 Sno-Pro</b>	ZR	900	2	2003-2006		0.7	BR9EYA	7548		BR9EIX	3981
<b>Bearcat Z1 XT</b>		1000	2	2009-2014		0.9	MR8AI9	7692			
<b>Bearcat Z1 XT GS</b>		1000	2	2012-2014		0.9	MR8AI9	7692			
<b>Bearcat Z1 XT LTD</b>		1000	2	2011-2014		0.9	MR8AI9	7692			
<b>CrossFire 1000 EFI</b>	CF	1000	2	2007-2009	Twin Spark	0.7	BR9EYA	7548		BR9EIX	3981
<b>CrossFire 1000 EFI Sno-Pro</b>	CF	1000	2	2007-2009	Twin Spark	0.7	BR9EYA	7548		BR9EIX	3981
<b>CrossFire 1000 EFI Sno-Pro Nitefire</b>	CF	1000	2	2009-2009	Twin Spark	0.7	BR9EYA	7548		BR9EIX	3981
<b>CrossFireR 1000</b>	CFR	1000	2	2009-2011	Twin Spark	0.7	BR9EYA	7548		BR9EIX	3981
<b>CrossFireR 1000 LE</b>	CFR	1000	2	2009-2009	Twin Spark	0.7	BR9EYA	7548		BR9EIX	3981
<b>F 1000 EFI</b>	F	1000	2	2007-2008	Twin Spark	0.7	BR9EYA	7548		BR9EIX	3981
<b>F 1000 EFI LXR</b>	F	1000	2	2007-2008	Twin Spark	0.7	BR9EYA	7548		BR9EIX	3981
<b>F 1000 EFI Sno-Pro</b>	F	1000	2	2007-2009	Twin Spark	0.7	BR9EYA	7548		BR9EIX	3981
<b>M 1000</b>	M	1000	2	2007-2009	Twin Spark	0.7	BR9EYA	7548		BR9EIX	3981
<b>M 1000 Sno-Pro</b>	M	1000	2	2007-2011	Twin Spark	0.7	BR9EYA	7548		BR9EIX	3981
<b>M 1000 Sno-Pro LE</b>	M	1000	2	2009-2009	Twin Spark	0.7	BR9EYA	7548		BR9EIX	3981
<b>Mountain Cat 1000</b>		1000	3	2001-2001		0.7	BR9EYA	7548		BR9EIX	3981
<b>Mountain Cat 1000</b>		1000	3	2002-2002		0.7	BR9EYA	7548		BR9EIX	3981
<b>Pantera 1000</b>		1000	3	2000-2001		0.7	BR9EYA	7548		BR9EIX	3981
<b>Thundercat 1000</b>		1000	3	1998-1999		0.7	BR9EYA	7548		BR9EIX	3981
<b>Thundercat 1000</b>		1000	3	2000-2001		0.7	BR9EYA	7548		BR9EIX	3981
<b>Thundercat 1000</b>		1000	3	2002-2002		0.7	BR9EYA	7548		BR9EIX	3981
<b>Thundercat 1000 MC</b>		1000	3	1998-1999		0.7	BR9EYA	7548		BR9EIX	3981
<b>Thundercat 1000 MC</b>		1000	3	2000-2000		0.7	BR9EYA	7548		BR9EIX	3981
<b>Thundercat 1000 THC</b>		1000	3	2000-2000		0.7	BR9EYA	7548		BR9EIX	3981
<b>XF 7000 CrossTour</b>	XF	1050	3	2014-		0.8	CR9E	6263	Q227	CR9EIX	3521
<b>XF 7000 CrossTour Sno-Pro</b>	XF	1050	3	2014-		0.8	CR9E	6263	Q227	CR9EIX	3521
<b>XF 7000 LXR</b>	XF	1050	3	2014-		0.8	CR9E	6263	Q227	CR9EIX	3521
<b>XF 7000 Sno-Pro</b>	XF	1050	3	2014-		0.8	CR9E	6263	Q227	CR9EIX	3521
<b>XF 7000 Sno-Pro Cross Country</b>	XF	1050	3	2014-		0.8	CR9E	6263	Q227	CR9EIX	3521
<b>XF 7000 Sno-Pro LTD</b>	XF	1050	3	2014-		0.8	CR9E	6263	Q227	CR9EIX	3521

\* Bitte Elektrodenabstand nach Angaben des Herstellers justieren

\* Please adjust the ground electrode gap

\* Veuillez vérifier l'écartement

\* Por favor, ajustar la distancia entre los electrodos

\* Regolare il gap

\*\* Iridium IX Spark Plug is the standard recommendation





Stock No.

Quick No.

Upgrade ↑

Stock No. ↑

**ARCTIC CAT**

ZR 7000 LXR	ZR	1050	3	2014-		0.8	CR9E	6263	Q227	CR9EIX	3521
ZR 7000 LXR	ZR	1050	3	2015-		0.8	CR9E	6263	Q227	CR9EIX	3521
ZR 7000 Sno-Pro	ZR	1050	3	2014-		0.8	CR9E	6263	Q227	CR9EIX	3521
ZR 7000 Sno-Pro	ZR	1050	3	2015-		0.8	CR9E	6263	Q227	CR9EIX	3521
ZR 7000 Sno-Pro LTD	ZR	1050	3	2015-		0.8	CR9E	6263	Q227	CR9EIX	3521
ZR 7000 Sno-Pro LTD El Tigre	ZR	1050	3	2015-		0.8	CR9E	6263	Q227	CR9EIX	3521
ZR 7000 Sno-Pro RR	ZR	1050	3	2015-		0.8	CR9E	6263	Q227	CR9EIX	3521
ZR 7000 Sno-Pro RR Early Build	ZR	1050	3	2015-		0.8	CR9E	6263	Q227	CR9EIX	3521
F 1100 LXR	F	1100	2	2012-2013		0.9	MR8A19	7692			
F 1100 SnoPro	F	1100	2	2012-2013		0.9	MR8A19	7692			
F 1100 SnoPro 50 Anniversary	F	1100	2	2012-		0.9	MR8A19	7692			
F 1100 SnoPro LTD	F	1100	2	2012-2013		0.9	MR8A19	7692			
F 1100 Turbo LXR	F	1100	2	2012-2013		0.9	MR8A19	7692			
F 1100 Turbo SnoPro	F	1100	2	2012-2013		0.9	MR8A19	7692			
F 1100 Turbo SnoPro 50 Anniversary	F	1100	2	2012-		0.9	MR8A19	7692			
F 1100 Turbo SnoPro LTD	F	1100	2	2012-2013		0.9	MR8A19	7692			
F 1100 Turbo SnoPro RR	F	1100	2	2013-		0.9	MR8A19	7692			
Jaguar Z1	Z	1100	2	2007-2008	SUZUKI	0.9	MR8A19	7692			
Jaguar Z1 Early Build	Z	1100	2	2007-		0.9	MR8A19	7692			
Jaguar Z1 Sno-Pro & Nitefire Sno-Pro	Z	1100	2	2008-	SUZUKI	0.9	MR8A19	7692			
M 1100	M	1100	2	2012-2013		0.9	MR8A19	7692			
M 1100 Sno-Pro	M	1100	2	2012-2013		0.9	MR8A19	7692			
M 1100 Sno-Pro 50th Anniversary	M	1100	2	2012-		0.9	MR8A19	7692			
M 1100 Sno-Pro LTD	M	1100	2	2012-2013		0.9	MR8A19	7692			
M 1100 Turbo	M	1100	2	2012-2013		0.9	MR8A19	7692			
M 1100 Turbo High Country	M	1100	2	2012-2013		0.9	MR8A19	7692			
M 1100 Turbo Sno-Pro	M	1100	2	2012-2013		0.9	MR8A19	7692			
M 1100 Turbo Sno-Pro 50th Anniversary	M	1100	2	2012-		0.9	MR8A19	7692			
M 1100 Turbo Sno-Pro LTD	M	1100	2	2012-2013		0.9	MR8A19	7692			
M 9000 HCR Turbo	M	1100	2	2014-		0.9	MR8A19	7692			
M 9000 Sno-Pro LTD Turbo	M	1100	2	2014-		0.9	MR8A19	7692			
M 9000 Sno-Pro Turbo	M	1100	2	2014-		0.9	MR8A19	7692			
M 9000 Turbo	M	1100	2	2014-		0.9	MR8A19	7692			
TZ1 Park Version	T	1100	2	2009-2009		0.9	MR8A19	7692			
TZ1 Touring	T	1100	2	2008-2014		0.9	MR8A19	7692			
TZ1 Touring LXR	T	1100	2	2008-2014		0.9	MR8A19	7692			
TZ1 Turbo LXR	T	1100	2	2009-2014		0.9	MR8A19	7692			
TZ1 Turbo LXR LE	T	1100	2	2009-2010		0.9	MR8A19	7692			
XF 1100 CrossTour	XF	1100	2	2013-		0.9	MR8A19	7692			
XF 1100 LXR	XF	1100	2	2012-2013		0.9	MR8A19	7692			
XF 1100 SnoPro	XF	1100	2	2012-2013		0.9	MR8A19	7692			
XF 1100 SnoPro 50th Anniversary	XF	1100	2	2012-		0.9	MR8A19	7692			
XF 1100 SnoPro LTD	XF	1100	2	2012-2013		0.9	MR8A19	7692			
XF 1100 Turbo Cross-Tour	XF	1100	2	2013-		0.9	MR8A19	7692			
XF 1100 Turbo LXR	XF	1100	2	2012-2013		0.9	MR8A19	7692			
XF 1100 Turbo SnoPro	XF	1100	2	2012-2013		0.9	MR8A19	7692			

\* Bitte Elektrodenabstand nach Angaben des Herstellers justieren

\* Please adjust the ground electrode gap

\* Veuillez vérifier l'écartement

\* Por favor, ajustar la distancia entre los electrodos

\* Regolare il gap

\* Iridium IX Spark Plug is the standard recommendation





Stock No.

Quick No.

Upgrade ↑

Stock No. ↑

**ARCTIC CAT**

<b>XF 1100 Turbo Sno-Pro 50th Anniversary</b>	XF	1100	2	2012-		0.9	MR8A19	7692			
<b>XF 1100 Turbo Sno-Pro HiCountry</b>	XF	1100	2	2012-2013		0.9	MR8A19	7692			
<b>XF 1100 Turbo Sno-Pro HiCountry LTD</b>	XF	1100	2	2013-		0.9	MR8A19	7692			
<b>XF 1100 Turbo Sno-Pro LTD</b>	XF	1100	2	2012-2013		0.9	MR8A19	7692			
<b>XF 9000 CrossTour</b>	XF	1100	2	2014-		0.9	MR8A19	7692			
<b>XF 9000 High Country Sno-Pro</b>	XF	1100	2	2014-		0.9	MR8A19	7692			
<b>XF 9000 High Country Sno-Pro LTD</b>	XF	1100	2	2014-		0.9	MR8A19	7692			
<b>XF 9000 LXR</b>	XF	1100	2	2014-		0.9	MR8A19	7692			
<b>XF 9000 Sno-Pro</b>	XF	1100	2	2014-		0.9	MR8A19	7692			
<b>XF 9000 Sno-Pro Cross Country</b>	XF	1100	2	2014-		0.9	MR8A19	7692			
<b>XF 9000 Sno-Pro LTD</b>	XF	1100	2	2014-		0.9	MR8A19	7692			
<b>XF 9000 Sno-Pro LTD 137 Early Build</b>	XF	1100	2	2015-		0.9	MR8A19	7692			
<b>Z1 EFI</b>	Z	1100	2	2009-2010		0.9	MR8A19	7692			
<b>Z1 EFI LXR</b>	Z	1100	2	2010-2011		0.9	MR8A19	7692			
<b>Z1 Sno-Pro</b>	Z	1100	2	2011-		0.9	MR8A19	7692			
<b>Z1 Turbo</b>	Z	1100	2	2009-2010		0.9	MR8A19	7692			
<b>Z1 Turbo EXT</b>	Z	1100	2	2010-2011		0.9	MR8A19	7692			
<b>Z1 Turbo EXT LE</b>	Z	1100	2	2010-		0.9	MR8A19	7692			
<b>Z1 Turbo EXT Sno-Pro</b>	Z	1100	2	2010-		0.9	MR8A19	7692			
<b>Z1 Turbo LE</b>	Z	1100	2	2009-2009		0.9	MR8A19	7692			
<b>Z1 Turbo LXR</b>	Z	1100	2	2009-2011		0.9	MR8A19	7692			
<b>Z1 Turbo Sno-Pro</b>	Z	1100	2	2009-2011		0.9	MR8A19	7692			
<b>Z1 Turbo Sno-Pro LE</b>	Z	1100	2	2010-		0.9	MR8A19	7692			
<b>Z1 Turbo Sno-Pro LTD</b>	Z	1100	2	2011-		0.9	MR8A19	7692			
<b>ZR 5000 LXR</b>	ZR	1100	2	2014-		0.9	MR8A19	7692			
<b>ZR 5000 LXR Early build</b>	ZR	1100	2	2015-		0.9	MR8A19	7692			
<b>ZR 9000 EL Tigre early Build</b>	ZR	1100	2	2015-		0.9	MR8A19	7692			
<b>ZR 9000 Sno-Pro LTD Turbo</b>	ZR	1100	2	2014-		0.9	MR8A19	7692			
<b>ZR 9000 Sno-Pro RR Turbo</b>	ZR	1100	2	2014-		0.9	MR8A19	7692			
<b>ZR 9000 Sno-Pro Turbo</b>	ZR	1100	2	2014-		0.9	MR8A19	7692			
<b>ZR 9000 Turbo LXR</b>	ZR	1100	2	2014-		0.9	MR8A19	7692			

**BLADE**

<b>1W-X</b>		600		2002-	3089(US) GAP 0,028"	*	BR9EIX**	3981			
<b>6X2</b>		600		2001-	3089(US) GAP 0,028"	*	BR9EIX**	3981			
<b>STRIKER X</b>		600		2002-	3089(US) GAP 0,028"	*	BR9EIX**	3981			
<b>1W-X</b>		700		2002-	3089(US) GAP 0,028"	*	BR9EIX**	3981			
<b>7X2</b>		700		2000-2001	3089(US) GAP 0,028"	*	BR9EIX**	3981			
<b>HYLANDER X</b>		700		2002-	3089(US) GAP 0,028"	*	BR9EIX**	3981			
<b>STRIKER X</b>		700		2002-	3089(US) GAP 0,028"	*	BR9EIX**	3981			
<b>1W-X</b>		800		2002-	3089(US) GAP 0,028"	*	BR9EIX**	3981			
<b>8X2</b>		800		2001-	3089(US) GAP 0,028"	*	BR9EIX**	3981			

\*Bitte Elektrodenabstand nach Angaben des Herstellers justieren

\*Please adjust the ground electrode gap

\*Veuillez vérifier l'écartement

\* Por favor, ajustar la distancia entre los electrodos

\*Regolare il gap

\*\* Iridium IX Spark Plug is the standard recommendation





Stock No.

Quick No.

Upgrade ↑

Stock No. ↑

**BLADE**

<b>HYLANDER X</b>		800	2002-	3089(US) GAP 0,028"	*	BR9EIX**	3981			
<b>STRIKER X</b>		800	2002-	3089(US) GAP 0,028"	*	BR9EIX**	3981			

**BOLENS**

<b>292</b>		292	-		0.6	B8HS	5510		BR8HIX	7001
<b>295</b>		292	-		0.6	B8HS	5510		BR8HIX	7001
<b>R295</b>		292	-		0.6	B8HS	5510		BR8HIX	7001
<b>315</b>		310	-		0.6	B8HS	5510		BR8HIX	7001
<b>340</b>		336	-		0.6	B8HS	5510		BR8HIX	7001
<b>R340</b>		336	-		0.6	B8HS	5510		BR8HIX	7001
<b>399</b>		396	-		0.6	B8HS	5510		BR8HIX	7001
<b>R399</b>		396	-		0.6	B8HS	5510		BR8HIX	7001
<b>440</b>		438	-		0.6	B8HS	5510		BR8HIX	7001
<b>R440</b>		438	-		0.6	B8HS	5510		BR8HIX	7001

**BOMBARDIER**

<b>Mini Z</b>			-	ROTAX	0.7	BPR6ES	7822		BPR6EIX	6637	
<b>250</b>		247	-	ROTAX 14hp	0.5	AB-7	3010				
<b>250</b>		247	-	ROTAX 12hp	0.5	AB-6	2910				
<b>250 Deluxe</b>		247	-	ROTAX	0.5	B7HS	5110		BR7HIX	7067	
<b>250 E</b>		247	-	ROTAX	0.5	AB-7	3010				
<b>250 M</b>		247	-	BSE	0.6	B7HS	5110		BR7HIX	7067	
<b>250 SS</b>		247	-	ROTAX	0.5	B8HS	5510		BR8HIX	7001	
<b>250T</b>		247	-	ROTAX	0.5	B7HS	5110		BR7HIX	7067	
<b>RV250</b>		247	2	-	ROTAX	0.5	B8ES	2411	Q201	BR8EIX	5044
<b>TNT</b>		247	-	ROTAX	0.5	B8ES	2411	Q201	BR8EIX	5044	
<b>253 Safari Citation/E</b>		248	1	-	ROTAX	0.5	BR9ES	5722		BR9EIX	3981
<b>247 Elan</b>		250	-	ROTAX	0.5	AB-7	3010				
<b>247 Spirit</b>		250	-	ROTAX	0.5	AB-7	3010				
<b>253 Citation L/S</b>		253	-	ROTAX	0.5	BR9ES	5722		BR9EIX	3981	
<b>253 Citation L/S Elec.</b>		253	-	ROTAX	0.5	BR9ES	5722		BR9EIX	3981	
<b>253 Tundra</b>		253	1	-	ROTAX	0.5	BR9ES	5722		BR9EIX	3981
<b>253 Tundra-LT</b>		253	1	-	ROTAX	0.5	BR9ES	5722		BR9EIX	3981
<b>277 Citation 3500</b>		269	1	-1981	ROTAX	0.5	B8ES	2411	Q201	BR8EIX	5044
<b>277 Citation 3500</b>		269	1	1982-1983	ROTAX	0.5	BR8ES	5422	Q207	BR8EIX	5044
<b>277 Mirage I</b>		269	1	-1981	ROTAX	0.5	B8ES	2411	Q201	BR8EIX	5044
<b>277 Mirage I</b>		269	1	1981-1983	ROTAX	0.5	BR8ES	5422	Q207	BR8EIX	5044
<b>277 Scandic</b>		269		1982-1983	ROTAX	0.5	BR8ES	5422	Q207	BR8EIX	5044
<b>Tundra 280F</b>		280	-	ROTAX	0.5	BR9ES	5722		BR9EIX	3981	
<b>TNT 292</b>		292	2	-	ROTAX	0.5	AB-8	7909			
<b>TNT 294</b>		292	2	-	ROTAX	0.5	B8HS	5510		BR8HIX	7001
<b>TNT300SM</b>		292	2	-	ROTAX	0.5	B8HS	5510		BR8HIX	7001
<b>296</b>		294	-	BSE	0.6	B8HS	5510		BR8HIX	7001	
<b>300 Citation</b>		294	-	ROTAX	0.5	B8HS	5510		BR8HIX	7001	
<b>300 E</b>		294	-	ROTAX	0.5	B8HS	5510		BR8HIX	7001	
<b>300 Olym.</b>		294	-	ROTAX	0.5	B8HS	5510		BR8HIX	7001	
<b>300 SS</b>		294	-	ROTAX	0.5	B8HS	5510		BR8HIX	7001	
<b>300</b>		299	-	ROTAX 12hp	0.5	AB-6	2910				
<b>300</b>		299	-	ROTAX 16hp	0.5	AB-7	3010				
<b>300 S</b>		299	-	ROTAX	0.5	AB-7	3010				
<b>320 E</b>		318	-	ROTAX	0.5	AB-7	3010				
<b>320 SS</b>		318	-	ROTAX	0.5	AB-8	7909				

\*Bitte Elektrodenabstand nach Angaben des Herstellers justieren

\*Please adjust the ground electrode gap

\*Veuillez vérifier l'écartement

\* Por favor, ajustar la distancia entre los electrodos

\*Regolare il gap

\* Iridium IX Spark Plug is the standard recommendation





Stock No.

Quick No.

Upgrade ↑

Stock No. ↑

**BOMBARDIER**

420		318		-	ROTAX	0.5	AB-7	3010			
335, 335 E		335		-	ROTAX	0.5	AB-7	3010			
340 SS		336		-	14mm Thread Size / 12,7mm Thread Reach BSE	0.6	B7HS	5110		BR7HIX	7067
340 SS		336		-	14mm Thread Size / 19mm Thread Reach BSE	0.6	B8ES	2411	Q201	BR8EIX	5044
340 T		336		-	14mm Thread Size / 12,7mm Thread Reach BSE	0.6	B7HS	5110		BR7HIX	7067
340 T		336		-	14mm Thread Size / 19mm Thread Reach BSE	0.6	B8ES	2411	Q201	BR8EIX	5044
RV 340		337	2	-	ROTAX	*	BR10EIX**	6801			
Sonic 340		337		-	ROTAX	*	BR10EIX**	6801			
TNT		337		-	ROTAX	*	BR10EIX**	6801			
TNT 340		337	2	-	ROTAX	0.5	B8HS	5510		BR8HIX	7001
TNT 340 SE		337	2	-	ROTAX	0.5	B8HS	5510		BR8HIX	7001
340		339		-	ROTAX	0.5	B8HS	5510		BR8HIX	7001
340		339		-	ROTAX	0.5	B9HS	5810		BR9HIX	5687
340 E		339		-	ROTAX	0.5	B8HS	5510		BR8HIX	7001
340 E Olym.Ever		339	2	-	ROTAX	0.5	B9HS	5810		BR9HIX	5687
340 SS		339		-	ROTAX	0.5	AB-8	7909			
354 Blizzard 6500		339	3	-	ROTAX	*	BR10EIX**	6801			
354 Blizzard 7500		339	2	-	ROTAX	*	BR10EIX**	6801			
354 Blizzard 7500-Plus		339	2	-	ROTAX	*	BR10EIX**	6801			
354 Super Sonic/LC		339		-	ROTAX	*	BR10EIX**	6801			
Nuvik 1979		339		-	ROTAX	0.5	B9HS	5810		BR9HIX	5687
TN T340 Free Air		339		-	ROTAX	0.5	B9ES	2611	Q202	BR9EIX	3981
TNT 340 SM		339	2	-	ROTAX	0.5	B8HS	5510		BR8HIX	7001
370		368		-	ROTAX	0.5	B7HS	5110		BR7HIX	7067
377 Citation 300		368	2	1982-	ROTAX	0.5	BR8ES	5422	Q207	BR8EIX	5044
377 Citation 4500		368	2	1981-	ROTAX	0.5	B8ES	2411	Q201	BR8EIX	5044
377 Citation 4500		368	2	1982-1983	ROTAX	0.5	BR8ES	5422	Q207	BR8EIX	5044
377 Citation 4500E		368	2	1981-	ROTAX	0.5	B8ES	2411	Q201	BR8EIX	5044
377 Citation 4500E		368	2	1982-1983	ROTAX	0.5	BR8ES	5422	Q207	BR8EIX	5044
377 Citation 4500SS		368	2	1982-1983	ROTAX	0.5	BR8ES	5422	Q207	BR8EIX	5044
377 Futura 300		368		1983-	ROTAX	0.5	BR8ES	5422	Q207	BR8EIX	5044
377 Mirage II		368	2	1982-1983	ROTAX	0.5	BR8ES	5422	Q207	BR8EIX	5044
377 Mirage II E		368	2	1982-1983	ROTAX	0.5	BR8ES	5422	Q207	BR8EIX	5044
377 Mirage II Special		368	2	1982-	ROTAX	0.5	BR8ES	5422	Q207	BR8EIX	5044
377 Nordic		368	2	1982-1983	ROTAX	0.5	BR8ES	5422	Q207	BR8EIX	5044
377 Safari Saga		368	2	-	ROTAX	0.5	BR9ES	5722		BR9EIX	3981
377 Safari Scout		368	2	-	ROTAX	0.5	BR9ES	5722		BR9EIX	3981
377 Safari Scout E		368	2	-	ROTAX	0.5	BR9ES	5722		BR9EIX	3981
377 Skandic		368	2	1983-1984	ROTAX	0.5	BR8ES	5422	Q207	BR8EIX	5044
371		369		-	ROTAX	0.5	B7HS	5110		BR7HIX	7067
377 Formula S		377		-	ROTAX	0.5	BR9ES	5722		BR9EIX	3981
377 Mirage III		377	2	-	ROTAX	0.5	BR9ES	5722		BR9EIX	3981
377 Safari		377	2	-	ROTAX	0.5	BR9ES	5722		BR9EIX	3981
377 Safari-E		377	2	-	ROTAX	0.5	BR9ES	5722		BR9EIX	3981
377 Skandic		377	2	1985-	ROTAX	0.5	BR8ES	5422	Q207	BR8EIX	5044
377 Skandic R		377	2	1985-	ROTAX	0.5	BR8ES	5422	Q207	BR8EIX	5044
377 Touring E		377		-	ROTAX	0.4	BR9ES	5722		BR9EIX	3981
377 Touring ELT		377		-	ROTAX	0.4	BR9ES	5722		BR9EIX	3981

\*Bitte Elektrodenabstand nach Angaben des Herstellers justieren

\*Please adjust the ground electrode gap

\*Veuillez vérifier l'écartement

\* Por favor, ajustar la distancia entre los electrodos

\*Regolare il gap

\*\* Iridium IX Spark Plug is the standard recommendation





Stock No.

Quick No.

Upgrade ↑

Stock No. ↑

**BOMBARDIER**

<b>380 Scandic 380</b>		380	-	ROTAX	0.4	BR9ES	5722		BR9EIX	3981	
<b>Legend Fan 380F</b>		380	-	ROTAX	0.5	BR9ES	5722		BR9EIX	3981	
<b>Legend GT 380F</b>		380	-	ROTAX	0.5	BR9ES	5722		BR9EIX	3981	
<b>MX Z Fan</b>		380	-	ROTAX	0.5	BR9ES	5722		BR9EIX	3981	
<b>339</b>		399	-	BSE	0.6	B8ES	2411	Q201	BR8EIX	5044	
<b>399</b>		399	-	ROTAX	0.5	B8HS	5510		BR8HIX	7001	
<b>400</b>		399	-	ROTAX	0.5	B8HS	5510		BR8HIX	7001	
<b>400</b>		399	1979-	ROTAX	0.5	B8HS	5510		BR8HIX	7001	
<b>400E</b>		399	-	ROTAX	0.5	B8HS	5510		BR8HIX	7001	
<b>400E Futura</b>		399	1979-	ROTAX	0.5	B8HS	5510		BR8HIX	7001	
<b>TNT 399</b>		399	-	ROTAX	0.5	B8HS	5510		BR8HIX	7001	
<b>TNT 400 Free Air</b>		399	2	-	ROTAX	0.5	B10ES	7928	BR10EIX	6801	
<b>440 SS</b>		435	-	14mm Thread Size / 12,7mm Thread Reach BSE	0.6	B7HS	5110		BR7HIX	7067	
<b>440 SS</b>		435	-	14mm Thread Size / 19mm Thread Reach BSE	0.6	B8ES	2411	Q201	BR8EIX	5044	
<b>440 T</b>		435	-	14mm Thread Size / 12,7mm Thread Reach BSE	0.6	B7HS	5110		BR7HIX	7067	
<b>440 T</b>		435	-	14mm Thread Size / 19mm Thread Reach BSE	0.6	B8ES	2411	Q201	BR8EIX	5044	
<b>440 MX-Z 440</b>		436	-	ROTAX	0.4	BR9ES	5722		BR9EIX	3981	
<b>440 MX-Z 440F</b>		436	-	ROTAX	0.4	BR9ES	5722		BR9EIX	3981	
<b>444 Elite</b>		436	2	-	ROTAX	0.5	B8ES	2411	Q201	BR8EIX	5044
<b>444 LC Everest</b>		436	2	1977-	ROTAX	0.5	B8ES	2411	Q201	BR8EIX	5044
<b>444 LC Futura</b>		436	-	ROTAX	0.5	B8ES	2411	Q201	BR8EIX	5044	
<b>439</b>		437	-	BSE	0.6	B8ES	2411	Q201	BR8EIX	5044	
<b>440</b>		437	-	ROTAX	0.5	AB-8	7909				
<b>440E</b>		437	-	ROTAX	0.5	AB-8	7909				
<b>440 ER</b>		437	-	ROTAX	0.5	AB-7	3010				
<b>440R</b>		437	-	ROTAX	0.5	AB-7	3010				
<b>447 Grand Luxe</b>		437	-	ROTAX	0.5	BR8ES	5422	Q207	BR8EIX	5044	
<b>447 Nordic 50</b>		437	2	-	ROTAX	0.5	BR9ES	5722		BR9EIX	3981
<b>447 Safari 447</b>		437	2	-	ROTAX	0.5	BR8ES	5422	Q207	BR8EIX	5044
<b>454 Blizzard 9500</b>		437	2	-	ROTAX	*	BR10EIX**	6801			
<b>454 Blizzard 9500 Plus</b>		437	2	-	ROTAX	*	BR10EIX**	6801			
<b>Olympique Plus</b>		437	2	-	ROTAX	0.5	AB-7	3010			
<b>TNT 440</b>		437	2	-	ROTAX	0.5	AB-8	7909			
<b>TNT 440 Free Air</b>		437	2	-	18mm Thread Size / 12mm Thread Reach ROTAX	0.5	AB-7	3010			
<b>TNT 440 Free Air</b>		437	2	-	14mm Thread Size / 19mm Thread Reach ROTAX	0.5	B9ES	2611	Q202	BR9EIX	3981
<b>TNT 440SE</b>		437	2	-	ROTAX	0.5	AB-8	7909			
<b>TNT 440SM</b>		437	2	-	ROTAX	0.5	AB-8	7909			
<b>440 Touring LE</b>		440	-	ROTAX	0.4	BR9ES	5722		BR9EIX	3981	
<b>MX Zx Racing 440</b>		440	-	ROTAX	0.5	BR9ECS	4677		BR9ECSIX	5438	
<b>Skandic LT(E) 440F</b>		440	2	-	ROTAX	0.5	BR9ES	5722		BR9EIX	3981
<b>Skandic LT 440F</b>		440	2	-	ROTAX	0.5	BR9ES	5722		BR9EIX	3981
<b>443 Touring LE</b>		443	-	ROTAX	0.5	BR9ES	5722		BR9EIX	3981	
<b>447</b>		447	1986-	ROTAX	0.5	BR9ES	5722		BR9EIX	3981	
<b>447 Safari</b>		447	2	1986-	ROTAX	0.5	BR9ES	5722		BR9EIX	3981
<b>454 MXZ 440</b>		454	-	ROTAX	0.5	BR9ES	5722		BR9EIX	3981	
<b>454 Ultra Sonic</b>		463	-	ROTAX	*	BR10EIX**	6801				

\*Bitte Elektrodenabstand nach Angaben des Herstellers justieren

\*Please adjust the ground electrode gap

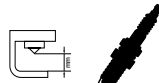
\*Veuillez vérifier l'écartement

\* Por favor, ajustar la distancia entre los electrodos

\*Regolare il gap

\* Iridium IX Spark Plug is the standard recommendation





Stock No.

Quick No.

Upgrade ↑

Stock No. ↑

**BOMBARDIER**

462 SP		463		-	ROTAX	0.5	BR8ES	5422	Q207	BR8EIX	5044
462 SS		463		-	ROTAX	0.5	BR8ES	5422	Q207	BR8EIX	5044
462 SS25		463		-	ROTAX	0.5	BR8ES	5422	Q207	BR8EIX	5044
464 Elite		463	2	-1981	ROTAX	0.5	B8ES	2411	Q201	BR8EIX	5044
464 Elite		463	2	1982-1983	ROTAX	0.5	BR8ES	5422	Q207	BR8EIX	5044
464 Everest LC		463	2	-1981	ROTAX	0.5	B8ES	2411	Q201	BR8EIX	5044
464 Everest LC		463	2	1982-1983	ROTAX	0.5	BR8ES	5422	Q207	BR8EIX	5044
464 Futura LC		463		-1981	ROTAX	0.5	B8ES	2411	Q201	BR8EIX	5044
464 Futura LC		463		1982-1983	ROTAX	0.5	BR8ES	5422	Q207	BR8EIX	5044
494 Formula SLS		494	2	-	ROTAX	0.5	BR9ES	5722		BR9EIX	3981
494 Skandic WT LC		494	2	-	ROTAX	0.5	BR8ES	5422	Q207	BR8EIX	5044
494 Summit 500		494		-	ROTAX	0.5	BR9ES	5722		BR9EIX	3981
467 Formula LT		496	2	-	ROTAX	0.5	BR9ES	5722		BR9EIX	3981
467 Formula MX		496	2	-	ROTAX	0.5	BR9ES	5722		BR9EIX	3981
503 Alpine II		496	2	-	ROTAX	0.5	BR8ES	5422	Q207	BR8EIX	5044
503 Escapade		496	2	-	ROTAX	0.5	BR9ES	5722		BR9EIX	3981
503 Nordic 60		496	2	-	ROTAX	0.5	BR9ES	5722		BR9EIX	3981
503 Safari 503R		496	2	-	ROTAX	0.5	BR9ES	5722		BR9EIX	3981
503 Alpine		497	2	1983-1986	ROTAX	0.5	BR7ES	5122		BR7EIX	6664
503 Blizzard 5500		497	2	1981-	ROTAX	0.5	BR8ES	5422	Q207	BR8EIX	5044
503 Blizzard 5500MX		497	2	1982-1983	ROTAX	0.5	BR7ES	5122		BR7EIX	6664
503 Blizzard MX		497	2	1984-	ROTAX	0.5	BR8ES	5422	Q207	BR8EIX	5044
503 Everest 500		497	2	1981-	ROTAX	0.5	BR8ES	5422	Q207	BR8EIX	5044
503 Everest 500		497	2	1984-1985	ROTAX	0.5	BR7ES	5122		BR7EIX	6664
503 Everest 500-E		497	2	1981-	ROTAX	0.5	BR8ES	5422	Q207	BR8EIX	5044
503 Futura 500		497		1982-1983	ROTAX	0.5	BR7ES	5122		BR7EIX	6664
503 Futura 500-E		497		1982-1983	ROTAX	0.5	BR7ES	5122		BR7EIX	6664
503 Grand Prix Spec.		497		1982-	ROTAX	0.5	BR7ES	5122		BR7EIX	6664
503 Safari Cheyenne		497	2	-	ROTAX	0.5	BR9ES	5722		BR9EIX	3981
503 Safari Escapade		497	2	-	ROTAX	0.5	BR9ES	5722		BR9EIX	3981
503 Safari Voyageur		497	2	-	ROTAX	0.5	BR9ES	5722		BR9EIX	3981
503 Sonic MX		497		1983-	ROTAX	0.5	BR7ES	5122		BR7EIX	6664
500 GT 500		500		-	ROTAX	0.4	BR9ES	5722		BR9EIX	3981
500 Scandic 500		500		-	ROTAX	0.4	BR9ES	5722		BR9EIX	3981
GSX Sport 1+1 500 SS		500		-	ROTAX	0.5	BR9ECS	3570		BR9ECSIX	5438
GSX Sport 500 SS		500		-	ROTAX	0.5	BR9ECS	3570		BR9ECSIX	5438
Legend Sport 500 SS		500		-	ROTAX	0.5	BR9ECS	3570		BR9ECSIX	5438
Legend Sport GT 500 SS		500		-	ROTAX	0.5	BR9ECS	3570		BR9ECSIX	5438
MX Z Adrenaline 500 SS		500		-	ROTAX	0.5	BR9ECS	3570		BR9ECSIX	5438
MX Z Adrenaline 500 SS (E)		500		-	ROTAX	0.5	BR9ECS	3570		BR9ECSIX	5438
MX Z Trail 500 SS		500		-	ROTAX	0.5	BR9ECS	4677		BR9ECSIX	5438
MX Z Trail 500 SS (E)		500		-	ROTAX	0.5	BR9ECS	4677		BR9ECSIX	5438
503 Formula SL		503	2	-	ROTAX	0.5	BR9ES	5722		BR9EIX	3981
503 Skandic SWT		503	2	-	ROTAX	0.5	BR8ES	5422	Q207	BR8EIX	5044
503 Skandic WT503R		503	2	-	ROTAX	0.5	BR9ES	5722		BR9EIX	3981
503 Summit 500		503		-	ROTAX	0.5	BR9ES	5722		BR9EIX	3981
503 Touring SLE		503		-	ROTAX	0.5	BR9ES	5722		BR9EIX	3981
534 Blizzasd 9700		521	2	-1983	ROTAX	0.5	BR8ES	5422	Q207	BR8EIX	5044
536 Formula LT		521	2	-	ROTAX	0.5	BR9ES	5722		BR9EIX	3981
536 Formula Plus		521	2	-	ROTAX	0.5	BR9ES	5722		BR9EIX	3981
537 Formula Plus		537	2	-	ROTAX	0.5	BR9ES	5722		BR9EIX	3981

\*Bitte Elektrodenabstand nach Angaben des Herstellers justieren

\*Please adjust the ground electrode gap

\*Veuillez vérifier l'écartement

\* Por favor, ajustar la distancia entre los electrodos

\*Regolare il gap

\*\* Iridium IX Spark Plug is the standard recommendation





Stock No.

Quick No.

Upgrade ↑

Stock No. ↑

**BOMBARDIER**

Legend Fan 550F		550	-	ROTAX	0.5	BR9ES	5722		BR9EIX	3981
Legend GT 550F		550	-	ROTAX	0.5	BR9ES	5722		BR9EIX	3981
MX Z Fan 550F		550	-	ROTAX	0.5	BR9ES	5722		BR9EIX	3981
Skandic Sport 550F		550	-	ROTAX	0.5	BR9ES	5722		BR9EIX	3981
Skandic SUV 550F		550	-	ROTAX	0.5	BR9ES	5722		BR9EIX	3981
Skandic SWT 550F		550	-	ROTAX	0.5	BR9ES	5722		BR9EIX	3981
Skandic WT 550F		550	-	ROTAX	0.5	BR9ES	5722		BR9EIX	3981
Summit Fan 550F		550	-	ROTAX	0.5	BR9ES	5722		BR9EIX	3981
583 Formula Mach I		581	2	-	ROTAX	0.5	BR9ES	5722	BR9EIX	3981
582 GT 582		582		-	ROTAX	0.4	BR9ES	5722	BR9EIX	3981
583 Formula STX 583		583	2	-	ROTAX	0.5	BR9ES	5722	BR9EIX	3981
583 Formula STXL 583		583	2	-	ROTAX	0.5	BR9ES	5722	BR9EIX	3981
583 Formula STXLT 583		583	2	-	ROTAX	0.5	BR9ES	5722	BR9EIX	3981
583 Formula Z 583		583	2	-	ROTAX	0.5	BR9ES	5722	BR9EIX	3981
583 GT 583		583		-	ROTAX	0.5	BR9ES	5722	BR9EIX	3981
583 MX-Z 583		583		-	ROTAX	0.5	BR9ES	5722	BR9EIX	3981
583 MX-Z LI 583		583		-	ROTAX	0.5	BR9ES	5722	BR9EIX	3981
583 Summit 583		583		-	ROTAX	0.5	BR9ES	5722	BR9EIX	3981
599 Formula III LT		599	2	-	ROTAX	0.5	BR10ES	4832	BR10EIX	6801
600 Formula III		600	2	-	ROTAX	0.5	BR10ES	4832	BR10EIX	6801
GSX Limited 600 HO SDI		600		-	ROTAX	0.8	BR9ECS	3570	BR9ECSIX	5438
GSX LTD 1+1 600 HO SDI		600		-	ROTAX	0.8	BR9ECS	3570	BR9ECSIX	5438
GSX Sport 1+1 600 HO		600		-	ROTAX	0.5	BR9ECS	3570	BR9ECSIX	5438
GSX Sport 1+1 600HO SDI		600		-	ROTAX	0.8	BR9ECS	3570	BR9ECSIX	5438
GSX Sport 600 HO		600		-	ROTAX	0.5	BR9ECS	3570	BR9ECSIX	5438
GSX Sport 600 HO SDI		600		-	ROTAX	0.8	BR9ECS	3570	BR9ECSIX	5438
Legend SE 600 HO SDI		600		-	ROTAX	0.5	BR9ECS	3570	BR9ECSIX	5438
Legend SE GT 600 HO SDI		600		-	ROTAX	0.5	BR9ECS	3570	BR9ECSIX	5438
Legend Sport 600 HO SDI		600		-	ROTAX	0.5	BR9ECS	3570	BR9ECSIX	5438
Legend Sport GT 600 HO SDI		600		-	ROTAX	0.5	BR9ECS	3570	BR9ECSIX	5438
MX Z Adrenaline 600 HO		600		-	ROTAX	0.5	BR9ECS	3570	BR9ECSIX	5438
MX Z Adrenaline 600 HO (E)		600		-	ROTAX	0.5	BR9ECS	3570	BR9ECSIX	5438
MX Z Adrenaline 600 HO SDI		600		-	ROTAX	0.8	BR9ECS	3570	BR9ECSIX	5438
MX Z Adrenaline 600 HO SDI (E)		600		-	ROTAX	0.8	BR9ECS	3570	BR9ECSIX	5438
MX Z Rene. X 600 HO SDI (E)		600		-	ROTAX	0.8	BR9ECS	3570	BR9ECSIX	5438
MX Z Renegade 600 HO		600		-	ROTAX	0.5	BR9ECS	3570	BR9ECSIX	5438
MX Z Renegade 600 HO (E)		600		-	ROTAX	0.5	BR9ECS	3570	BR9ECSIX	5438
MX Z Renegade X 600 HO		600		-	ROTAX	0.5	BR9ECS	3570	BR9ECSIX	5438
MX Z Renegade X 600 HO (E)		600		-	ROTAX	0.5	BR9ECS	3570	BR9ECSIX	5438
MX Z Renegade X 600 HO SDI		600		-	ROTAX	0.8	BR9ECS	3570	BR9ECSIX	5438
MX Z Trail 600 HO		600		-	ROTAX	0.5	BR9ECS	3570	BR9ECSIX	5438
MX Z Trail 600 HO (E)		600		-	ROTAX	0.5	BR9ECS	3570	BR9ECSIX	5438
MX Z X 600 HO		600		-	ROTAX	0.5	BR9ECS	3570	BR9ECSIX	5438
MX Z X 600 HO (E)		600		-	ROTAX	0.5	BR9ECS	3570	BR9ECSIX	5438
MX Z X 600 HO SDI		600		-	ROTAX	0.8	BR9ECS	3570	BR9ECSIX	5438

\* Bitte Elektrodenabstand nach Angaben des Herstellers justieren

\* Please adjust the ground electrode gap

\* Veuillez vérifier l'écartement

\* Por favor, ajustar la distancia entre los electrodos

\* Regolare il gap

\* Iridium IX Spark Plug is the standard recommendation







Stock No.

Quick No.

Upgrade ↑

Stock No. ↑

**BOMBARDIER**

<b>MX Z X 600 HO SDI (E)</b>		600		-	ROTAX	0.8	BR9ECS	3570		BR9ECSIX	5438
<b>Skandic SUV 600</b>		600		-	ROTAX	0.5	BR9ECS	3570		BR9ECSIX	5438
<b>Skandic WT LC 600</b>		600		-	ROTAX	0.5	BR9ECS	3570		BR9ECSIX	5438
<b>Summit Adrenaline 600 HO</b>		600		-	ROTAX	0.5	BR9ECS	3570		BR9ECSIX	5438
<b>Summit X 600 HO</b>		600		-	ROTAX	0.5	BR9ECS	3570		BR9ECSIX	5438
<b>640, 640ER</b>		635		-	ROTAX	0.5	AB-7	3010			
<b>640 ER Alpine</b>		635	2	-	ROTAX	0.5	B7HS	5110		BR7HIX	7067
<b>TNT 640</b>		635		-	ROTAX	0.5	AB-7	3010			
<b>TNT 669</b>		669		-	ROTAX	0.5	AB-7	3010			
<b>670 Formula SS</b>		670		-	ROTAX	0.5	BR9ES	5722		BR9EIX	3981
<b>670 GT SE670</b>		670		-	ROTAX	0.5	BR9ES	5722		BR9EIX	3981
<b>670 Mach 1</b>		670		-	ROTAX	0.5	BR10ES	4832		BR10EIX	6801
<b>670 Summit 670</b>		670		-	ROTAX	0.5	BR9ES	5722		BR9EIX	3981
<b>699 GT SE</b>		699		-	ROTAX	0.4	BR10ES	4832		BR10EIX	6801
<b>699 Mach 1</b>		699		-	ROTAX	0.4	BR10ES	4832		BR10EIX	6801
<b>Legend SE 700</b>		700		-	ROTAX	0.5	BR9ECS	3570		BR9ECSIX	5438
<b>Legend SE GT 700</b>		700		-	ROTAX	0.5	BR9ECS	3570		BR9ECSIX	5438
<b>Legend Sport 700</b>		700		-	ROTAX	0.5	BR9ECS	3570		BR9ECSIX	5438
<b>Legend Sport GT 700</b>		700		-	ROTAX	0.5	BR9ECS	3570		BR9ECSIX	5438
<b>TNT775</b>		771		-	ROTAX	0.5	AB-8	7909			
<b>779 Mach Z/ZLT</b>		779		-	ROTAX	0.5	BR10ES	4832		BR10EIX	6801
<b>GSX Limited 1+1 800 HO</b>		800		-	ROTAX	0.5	BR9ECS	3570		BR9ECSIX	5438
<b>GSX Limited 800 HO</b>		800		-	ROTAX	0.5	BR9ECS	3570		BR9ECSIX	5438
<b>Legend SE 800 SDI</b>		800		-	ROTAX	0.8	BR9ECS	3570		BR9ECSIX	5438
<b>Legend SE GT 800 SDI</b>		800		-	ROTAX	0.8	BR9ECS	3570		BR9ECSIX	5438
<b>MX Z Adrenaline 800 (E)</b>		800		-	ROTAX	0.5	BR9ECS	3570		BR9ECSIX	5438
<b>MX Z Adrenaline 800 HO</b>		800		-	ROTAX	0.5	BR9ECS	3570		BR9ECSIX	5438
<b>MX Z Renegade 800 (E)</b>		800		-	ROTAX	0.5	BR9ECS	3570		BR9ECSIX	5438
<b>MX Z Renegade 800 HO</b>		800		-	ROTAX	0.5	BR9ECS	3570		BR9ECSIX	5438
<b>MX Z Renegade X 800 HO</b>		800		-	ROTAX	0.5	BR9ECS	3570		BR9ECSIX	5438
<b>MX Z X 800 HO</b>		800		-	ROTAX	0.5	BR9ECS	3570		BR9ECSIX	5438
<b>MX Z X 800 HO (E)</b>		800		-	ROTAX	0.5	BR9ECS	3570		BR9ECSIX	5438
<b>MX Z X Reneg. 800 HO (E)</b>		800		-	ROTAX	0.5	BR9ECS	3570		BR9ECSIX	5438
<b>Summit Adrenalin 800 HO</b>		800		-	ROTAX	0.5	BR9ECS	3570		BR9ECSIX	5438
<b>Summit HM 800 HO</b>		800		-	ROTAX	0.5	BR9ECS	3570		BR9ECSIX	5438
<b>Summit HM X 800 HO</b>		800		-	ROTAX	0.5	BR9ECS	3570		BR9ECSIX	5438
<b>Summit HM Xtreme 800 HO</b>		800		-	ROTAX	0.5	BR9ECS	3570		BR9ECSIX	5438
<b>Summit Sport 800 HO</b>		800		-	ROTAX	0.5	BR9ECS	3570		BR9ECSIX	5438
<b>Summit X 800 HO</b>		800		-	ROTAX	0.5	BR9ECS	3570		BR9ECSIX	5438
<b>809 Mach Z</b>		809		-	ROTAX	0.4	BR10ES	4832		BR10EIX	6801
<b>Legend SE GT V-1000</b>		1000		-	ROTAX	0.8	DCPR8E	4339		DCPR8EIX	6546
<b>Legend SE V-1000</b>		1000		-	ROTAX	0.8	DCPR8E	4339		DCPR8EIX	6546

**BURAN**

<b>PM3-640</b>		640		-	28hp	0.7	BP6ES	7811		BPR6EIX	6637
----------------	--	-----	--	---	------	-----	-------	------	--	---------	------

**CANADIAN CURTIS WRIGHT**

<b>KEC 248</b>		248		-		0.6	AB-7	3010			
----------------	--	-----	--	---	--	-----	------	------	--	--	--

\*Bitte Elektrodenabstand nach Angaben des Herstellers justieren

\*Please adjust the ground electrode gap

\*Veuillez vérifier l'écartement

\* Por favor, ajustar la distancia entre los electrodos

\*Regolare il gap

\*\* Iridium IX Spark Plug is the standard recommendation





Stock No.

Quick No.

Upgrade ↑

Stock No. ↑

**CANADIAN CURTIS WRIGHT**

KEC 290/2		290		-		0.6	B8HS	5510		BR8HIX	7001
KEC290/3		290		-		0.6	B8HS	5510		BR8HIX	7001
KEC 295RS/2		290	2	-		*	BUE	2322			
KEC 340/2		339	2	-		0.6	B8HS	5510		BR8HIX	7001
KEC 340/22A		339	2	-		0.6	B8ES	2411	Q201	BR8EIX	5044
KEC340/3		339	2	-		0.6	B8HS	5510		BR8HIX	7001
KEC 340/4		339	2	-		0.6	B8HS	5510		BR8HIX	7001
KEC 340/5		339	2	-		0.6	B8ES	2411	Q201	BR8EIX	5044
KEC 340/5A		339	2	-		0.6	B8ES	2411	Q201	BR8EIX	5044
KEC 400/2		398	2	-		0.6	B8HS	5510		BR8HIX	7001
KEC 400/21		398	2	-		0.6	B8HS	5510		BR8HIX	7001
KEC 400/22		398	2	-		0.6	B8ES	2411	Q201	BR8EIX	5044
KEC 400/22A		398	2	-		0.6	B8ES	2411	Q201	BR8EIX	5044
KEC400/3		398	2	-		0.6	B8HS	5510		BR8HIX	7001
KEC 400/4		398	2	-		0.6	B8HS	5510		BR8HIX	7001
KEC 440/21		436	2	-		0.6	B8HS	5510		BR8HIX	7001
KEC 440/22		436	2	-		0.6	B8HS	5510		BR8HIX	7001
KEC 440/22A		436	2	-		0.6	B8HS	5510		BR8HIX	7001
KEC 440/3		436	2	-		0.6	B8HS	5510		BR8HIX	7001
KEC440/4		436	2	-		0.6	B8HS	5510		BR8HIX	7001
KEC 440/5		436	2	-		0.6	B8ES	2411	Q201	BR8EIX	5044

**CCW ENGINES**

KEC 248		248		-		0.6	AB-7	3010			
KEC 290		290	2	-		0.6	B8HS	5510		BR8HIX	7001
KEC 290RC/2		290	2	-		*	BUE	2322			
KEC 340		340	2	-		0.6	B8HS	5510		BR8HIX	7001
KEC 340/22A		340	2	-		0.6	B8ES	2411	Q201	BR8EIX	5044
KEC 340/5		340	2	-		0.6	B8ES	2411	Q201	BR8EIX	5044
KEC 400		400	2	-		0.6	B8HS	5510		BR8HIX	7001
KEC 400/22		400	2	-		0.6	B8ES	2411	Q201	BR8EIX	5044
KEC 440		440	2	-		0.6	B8HS	5510		BR8HIX	7001
KEC 440/5		440	2	-		0.6	B8ES	2411	Q201	BR8EIX	5044

**CHAPARRAL**

250		242		-	XENOAH	0.5	B8ES	2411	Q201	BR8EIX	5044
295		292		-	XENOAH	0.5	BR7ES	5122		BR7EIX	6664
340		338		-	XENOAH	0.5	BR7ES	5122		BR7EIX	6664
340 SS		338		-	XENOAH	0.5	B9ES	2611	Q202	BR9EIX	3981
340 SSX		338		-	XENOAH	0.5	BR8ES	5422	Q207	BR8EIX	5044
400		394		-	14mm Thread Size / 19mm Thread Reach XENOAH	0.5	B8ES	2411	Q201	BR8EIX	5044
400		398		-	14mm Thread Size / 12,7mm Thread Reach XENOAH	0.5	B7HS	5110		BR7HIX	7067
400 SS		400		-	14mm Thread Size / 12,7mm Thread Reach XENOAH	0.5	B8HS	5510		BR8HIX	7001
400 SS		400		-	14mm Thread Size / 19mm Thread Reach XENOAH	0.5	B9ES	2611	Q202	BR9EIX	3981
440		438		-	14mm Thread Size / 12,7mm Thread Reach XENOAH	0.5	B7HS	5110		BR7HIX	7067
440		438		-	14mm Thread Size / 19mm Thread Reach XENOAH	0.5	BR7ES	5122		BR7EIX	6664
440 SSX		438		-	XENOAH	0.5	BR8ES	5422	Q207	BR8EIX	5044

\*Bitte Elektrodenabstand nach Angaben des Herstellers justieren

\*Please adjust the ground electrode gap

\*Veuillez vérifier l'écartement

\* Por favor, ajustar la distancia entre los electrodos

\*Regolare il gap

\* Iridium IX Spark Plug is the standard recommendation





Stock No.

Quick No.

Upgrade ↑

Stock No. ↑

**CHAPARRAL**

<b>440 Racing</b>		440		-	XENOAH	*	BR8HIX**	7001			
<b>440 SS</b>		440		-	14mm Thread Size / 12,7mm Thread Reach XENOAH	0.5	B8HS	5510		BR8HIX	7001
<b>440 SS</b>		440		-	14mm Thread Size / 19mm Thread Reach XENOAH	0.5	B9ES	2611	Q202	BR9EIX	3981
<b>650 Racing</b>		440		-	XENOAH	*	BR8HIX**	7001			

**HIRTH**

<b>110 R</b>		180		-		0.5	AB-7	3010			
<b>60 R</b>		199		-		0.5	AB-7	3010			
<b>81 R</b>		246	1	-		0.5	AB-7	3010			
<b>82 R</b>		246	1	-		0.5	AB-7	3010			
<b>193 R</b>		292	1	-		0.5	AB-7	3010			
<b>261 R</b>		292		-		0.5	B8ES	2411	Q201	BR8EIX	5044
<b>261 R3</b>		292		-		0.5	B8ES	2411	Q201	BR8EIX	5044
<b>261 R4</b>		292		-		0.5	B8ES	2411	Q201	BR8EIX	5044
<b>56 R</b>		292	1	-		0.5	AB-7	3010			
<b>190</b>		300	1	-		0.5	AB-7	3010			
<b>191 R</b>		300	1	-		0.5	AB-7	3010			
<b>52 R</b>		300		-		0.5	AB-7	3010			
<b>53 R</b>		300	1	-		0.5	AB-7	3010			
<b>54 R</b>		300	1	-		0.5	AB-7	3010			
<b>55 R</b>		300	1	-		0.5	AB-7	3010			
<b>192 R</b>		317	1	-		0.5	AB-7	3010			
<b>194 R</b>		338	1	-		0.5	AB-7	3010			
<b>260 R</b>		338		-		0.5	B8ES	2411	Q201	BR8EIX	5044
<b>260 R3</b>		338		-		0.5	B8ES	2411	Q201	BR8EIX	5044
<b>260 R4</b>		338		-		0.5	B8ES	2411	Q201	BR8EIX	5044
<b>160 R</b>		372	1	-		0.5	AB-7	3010			
<b>200 R</b>		372	1	-		0.5	AB-7	3010			
<b>210 R</b>		399	2	-		0.5	AB-7	3010			
<b>271 RO</b>		399		-		0.5	AB-7	3010			
<b>211 R</b>		438	2	-		0.5	AB-7	3010			
<b>270 R</b>		438		-		0.5	AB-7	3010			
<b>273 R</b>		438		-		0.5	AB-7	3010			
<b>180 R</b>		493	1	-		0.5	AB-7	3010			
<b>220 R</b>		493	2	-		0.5	AB-7	3010			
<b>275 R</b>		493		-		0.5	AB-7	3010			
<b>170 R</b>		600	2	-		0.5	AB-7	3010			
<b>171 R</b>		634	2	-		0.5	AB-7	3010			
<b>231 R</b>		647		-		0.5	B8HS	5510		BR8HIX	7001
<b>280 R</b>		649		-		0.5	B8ES	2411	Q201	BR8EIX	5044
<b>172 R</b>		650	2	-		0.5	AB-7	3010			
<b>281 RO</b>		650		-		0.5	B8ES	2411	Q201	BR8EIX	5044
<b>230 R</b>		793	3	-		0.5	B8HS	5510		BR8HIX	7001

**IKAR**

<b>PM3-320</b>		320		-	16hp	0.7	BP6ES	7811		BPR6EIX	6637
----------------	--	-----	--	---	------	-----	-------	------	--	---------	------

**ILO**

<b>L 99</b>		100	1	-		0.5	B6HS	4510		BR6HIX	3419
<b>L152</b>		148		-		0.5	AB-6	2910			
<b>L197</b>		192		-		0.5	AB-6	2910			
<b>L 227</b>		223	1	-		0.5	AB-7	3010			

\*Bitte Elektrodenabstand nach Angaben des Herstellers justieren

\*Please adjust the ground electrode gap

\*Veuillez vérifier l'écartement

\* Por favor, ajustar la distancia entre los electrodos

\*Regolare il gap

\*\*Iridium IX Spark Plug is the standard recommendation





Stock No.

Quick No.

Upgrade ↑

Stock No. ↑

**ILO**

L 230		223	1	-		0.5	AB-7	3010			
L 252		257		-		0.5	AB-6	2910			
2F 295		285		-		0.5	B8ES	2411	Q201	BR8EIX	5044
L 292		292		-		0.5	AB-7	3010			
L 295		292	1	-		0.5	AB-7	3010			
L 295/70		292	1	-		0.5	B8ES	2411	Q201	BR8EIX	5044
R 295		292	1	-		0.5	B8ES	2411	Q201	BR8EIX	5044
L 297		296	1	-		0.5	AB-7	3010			
L 300		296	1	-		0.5	AB-7	3010			
2F 340		337	2	-		0.5	B8ES	2411	Q201	BR8EIX	5044
L 340		337	1	-		0.5	AB-7	3010			
L 340/70		337	1	-		0.5	B8ES	2411	Q201	BR8EIX	5044
LR 340/2		337	2	-		0.5	B8ES	2411	Q201	BR8EIX	5044
R 340		337	1	-		0.5	B8ES	2411	Q201	BR8EIX	5044
L 372		372		-		0.5	AB-7	3010			
L 380		372		-		0.5	AB-7	3010			
L 395		396		-		0.5	AB-7	3010			
L 399/2		398		-		0.5	B8ES	2411	Q201	BR8EIX	5044
LR 399/2		398	2	-		0.5	B8ES	2411	Q201	BR8EIX	5044
LR 400/2		398	2	-		0.5	B8ES	2411	Q201	BR8EIX	5044

**JOHN DEERE**

KEC 295RS/2		290		-	KIORITZ	0.6	B10ES	7928		BR10EIX	6801
KEC 340/22A		339	2	-	KIORITZ	0.6	B10ES	7928		BR10EIX	6801
KEC 340/22A		339	2	-	KIORITZ	0.6	B8ES	2411	Q201	BR8EIX	5044
KEC 340/22B		339	2	-	KIORITZ	0.6	B10ES	7928		BR10EIX	6801
KEC 340/22C		339	2	-	KIORITZ	0.6	B10ES	7928		BR10EIX	6801
KEC 340/23ALC		339	2	-	KIORITZ	0.6	B10ES	7928		BR10EIX	6801
KEC 340/23BLC		339	2	-	KIORITZ	0.6	B10ES	7928		BR10EIX	6801
KEC 340/23LCL		339	2	-	KIORITZ	0.6	B10ES	7928		BR10EIX	6801
KEC 340/5A		339	2	-	KIORITZ	0.6	B8ES	2411	Q201	BR8EIX	5044
KEC 340RS/2		339	2	-	KIORITZ	0.6	B10ES	7928		BR10EIX	6801
KEC 340RS/24LC		339	2	-	KIORITZ	0.6	B10ES	7928		BR10EIX	6801
TA 340 A		339		-	KAWASAKI	0.8	BR8ES	5422	Q207	BR8EIX	5044
TA 340A-D202		339		-	KAWASAKI	0.8	BR8ES	5422	Q207	BR8EIX	5044
TA 340A-F202		339		-	KAWASAKI	0.8	BR8ES	5422	Q207	BR8EIX	5044
TB 340A-A202		339		-	KAWASAKI	0.8	BR8ES	5422	Q207	BR8EIX	5044
TB 340A-C202		339		-	KAWASAKI	0.8	BR8ES	5422	Q207	BR8EIX	5044
All 1981 Models		436		-	KAWASAKI	0.8	BR9ES	5722		BR9EIX	3981
KEC 440/22A		436	2	-	KIORITZ	0.6	B10ES	7928		BR10EIX	6801
KEC 440/22A		436	2	-	KIORITZ	0.6	B8ES	2411	Q201	BR8EIX	5044
KEC 440/22B		436	2	-	KIORITZ	0.6	B10ES	7928		BR10EIX	6801
KEC 440/22C		436	2	-	KIORITZ	0.6	B10ES	7928		BR10EIX	6801
KEC 440/23AL		436	2	-	KIORITZ	0.6	B10ES	7928		BR10EIX	6801
KEC 440/23BLC		436	2	-	KIORITZ	0.6	B10ES	7928		BR10EIX	6801
KEC 440/23LCL		436	2	-	KIORITZ	0.6	B10ES	7928		BR10EIX	6801
TA 440A		436		-	KAWASAKI	0.8	BR8ES	5422	Q207	BR8EIX	5044
TA 440A-D202		436		-	KAWASAKI	0.8	BR8ES	5422	Q207	BR8EIX	5044
TA 440A-F202		436		-	KAWASAKI	0.8	BR8ES	5422	Q207	BR8EIX	5044
TA 440B-C202		436		-	KAWASAKI	0.8	BR9ES	5722		BR9EIX	3981
TA 440B-E202		436		-	KAWASAKI	0.8	BR9ES	5722		BR9EIX	3981
TC 440A-C202		436		-	KAWASAKI	0.8	BR9ES	5722		BR9EIX	3981
TC 440A-E202		436		-	KAWASAKI	0.8	BR9ES	5722		BR9EIX	3981

\*Bitte Elektrodenabstand nach Angaben des Herstellers justieren

\*Please adjust the ground electrode gap

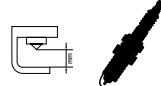
\*Veuillez vérifier l'écartement

\* Por favor, ajustar la distancia entre los electrodos

\*Regolare il gap

\* Iridium IX Spark Plug is the standard recommendation





Stock No.

Quick No.

Upgrade ↑

Stock No. ↑

**KAWASAKI**

TA 340A		340		-		0.8	BR8ES	5422	Q207	BR8EIX	5044
TA 340A-A201		340		-		0.8	BR8ES	3961		BR8EIX	5044
TA 340A-D201		340		-		0.8	BR8ES	3961		BR8EIX	5044
TA 340C-D203		340		-		0.7	BR9ES	3194		BR9EIX	3981
TC 340A		340		-		*	BR9EIX**	3981			
TC 340A-C201		340		-		*	BR9EIX**	3981			
TA 440A		440		-		0.8	BR8ES	5422	Q207	BR8EIX	5044
TA 440B		440		-		*	BR9EIX**	3981			
TA 440B-C201		440		-		*	BR9EIX**	3981			
TA 440C		440		-		*	BR9EIX**	3981			
TA 440C-C201		440		-		*	BR9EIX**	3981			
TA 440C-D203		440		-		*	BR9EIX**	3981			
TA 440C-D210		440		-		*	BR9EIX**	3981			
TC 440A		440		-		*	BR9EIX**	3981			
TC 440A-C201		440		-		*	BR9EIX**	3981			
TC 440C-A201		440		-		*	BR9EIX**	3981			
TC 440D-A201		440		-		*	BR9EIX**	3981			
TC 440D-A204		440		-		*	BR9EIX**	3981			
TC 530D-B201		530		-		*	BR9EIX**	3981			

**KIORITZ**

KEC 295RS		290	2	-		*	BUE	2322			
KEC 340/22A		339	2	-		0.6	B8ES	2411	Q201	BR8EIX	5044
KEC 340/22A		339	2	-		*	BUE	2322			
KEC 340/22B		339	2	-		*	BR10EIX**	6801			
KEC 340/23ALC		339	2	-		*	BR10EIX**	6801			
KEC 340/23BLC		339	2	-		*	BR10EIX**	6801			
KEC 340/23LC		339	2	-		*	BR10EIX**	6801			
KEC 340/5A		339	2	-		0.6	B8ES	2411	Q201	BR8EIX	5044
KEC 340RS/2		339	2	-		*	BUE	2322			
KEC 340RS/24LC		339	2	-		*	BUE	2322			
KEC 440/22A		436	2	-		*	BUE	2322			
KEC 440/22A		436	2	-		0.6	B8ES	2411	Q201	BR8EIX	5044
KEC 440/22B		436	2	-		*	BR10EIX**	6801			
KEC 440/23ALC		436	2	-		*	BR10EIX**	6801			
KEC 440/23BLC		436	2	-		*	BR10EIX**	6801			
KEC 440/23LC		436	2	-		*	BR10EIX**	6801			

**KOHLER**

K 141			1	-		0.5	B6S	3510			
K161			1	-		0.5	B6S	3510			
K181			1	-		0.5	B6S	3510			
K 250-1AM		220	1	-		0.5	B8ES	2411	Q201	BR8EIX	5044
K 250-RLC		250		-		*	BUE	2322			
K 295-2		290	2	-		0.5	B8ES	2411	Q201	BR8EIX	5044
K295-2AX		290	2	-		0.5	B8ES	2411	Q201	BR8EIX	5044
K 295-2SS		290	2	-		0.5	B10ES	7928		BR10EIX	6801
K 295-2T		292	2	-		0.5	B8ES	2411	Q201	BR8EIX	5044
K 295-1		294	1	-		0.5	AB-7	3010			
K295-1T		294	1	-		0.5	AB-7	3010			
K 309-1		309	1	-		0.5	AB-7	3010			
K309-1T		309	1	-		0.5	AB-7	3010			
K 335-1		335	1	-		0.5	AB-7	3010			

\*Bitte Elektrodenabstand nach Angaben des Herstellers justieren

\*Please adjust the ground electrode gap

\*Veuillez vérifier l'écartement

\* Por favor, ajustar la distancia entre los electrodos

\*Regolare il gap

\*\* Iridium IX Spark Plug is the standard recommendation





Stock No.

Quick No.

Upgrade ↑

Stock No. ↑

**KOHLER**

<b>K335-1T</b>		335	1	-		0.5	AB-7	3010			
<b>K 340-2</b>		338	2	-		0.5	B8HS	5510		BR8HIX	7001
<b>K 340-2AX</b>		338	2	-		0.5	B8ES	2411	Q201	BR8EIX	5044
<b>K 340-2FA</b>		338	2	-		0.5	BR8ES	5422	Q207	BR8EIX	5044
<b>K 340-2SS</b>		338	2	-		0.5	B10ES	7928		BR10EIX	6801
<b>K340-2T</b>		338	2	-		0.5	B8HS	5510		BR8HIX	7001
<b>K 340-2AS</b>		339	2	-		*	BUE	2322			
<b>K 340-2RS</b>		339	2	-		*	BUE	2322			
<b>K 340-RLC</b>		339		-		*	BUE	2322			
<b>SK 340-2AX</b>		339	2	-		*	BUE	2322			
<b>K 399-2</b>		398	2	-		0.5	AB-7	3010			
<b>K 399-2AX</b>		398	2	-		0.5	B9ES	2611	Q202	BR9EIX	3981
<b>K 399-2T</b>		398	2	-		0.5	AB-7	3010			
<b>K 400-2RS</b>		398	2	-		*	BUE	2322			
<b>RK399-2AX</b>		398	2	-		0.5	B9ES	2611	Q202	BR9EIX	3981
<b>K 440-2SS</b>		429	2	-	14mm Thread Size / 19mm Thread Reach	0.5	B10ES	7928		BR10EIX	6801
<b>K 440-2SS</b>		429	2	-	14mm Thread Size / 12,7mm Thread Reach	0.5	B9HS	5810		BR9HIX	5687
<b>K 440-3RS</b>		429	3	-	14mm Thread Size / 19mm Thread Reach	0.5	B10ES	7928		BR10EIX	6801
<b>K 440-3RS</b>		429	3	-	14mm Thread Size / 12,7mm Thread Reach	0.5	B9HS	5810		BR9HIX	5687
<b>K 440-2</b>		436	2	-		0.5	AB-7	3010			
<b>K 440-2AM</b>		436	2	-		*	BUE	2322			
<b>K 440-2AM</b>		436	2	-		0.5	B9ES	2611	Q202	BR9EIX	3981
<b>K 440-2AS</b>		436	2	-		*	BUE	2322			
<b>K 440-2AX</b>		436	2	-		0.5	B8ES	2411	Q201	BR8EIX	5044
<b>K 440-2RS</b>		436	2	-		*	BUE	2322			
<b>K 440-2T</b>		436	2	-		0.5	AB-7	3010			
<b>K 440-RLC</b>		436		-		*	BUE	2322			
<b>RK 440-2T</b>		436	2	-		0.5	AB-8	7909			
<b>SK 440-2LC</b>		436	2	-		*	BUE	2322			
<b>K 539-2</b>		539	2	-		0.5	AB-7	3010			
<b>K 618-2</b>		618	2	-		0.5	AB-7	3010			
<b>K 645-3RS</b>		645	3	-	14mm Thread Size / 19mm Thread Reach	0.5	B10ES	7928		BR10EIX	6801
<b>K 645-3RS</b>		645	3	-	14mm Thread Size / 12,7mm Thread Reach	0.5	B9HS	5810		BR9HIX	5687
<b>K 645-3SS</b>		645	3	-	14mm Thread Size / 19mm Thread Reach	0.5	B10ES	7928		BR10EIX	6801
<b>K 645-3SS</b>		645	3	-	14mm Thread Size / 12,7mm Thread Reach	0.5	B9HS	5810		BR9HIX	5687

**MONARK CRESCENT**

<b>380</b>				-		0.5	AB-8	7909			
------------	--	--	--	---	--	-----	------	------	--	--	--

**NPO SATURN**

<b>Taiga</b>		500		-		0.5	BR9ES	5722		BR9EIX	3981
--------------	--	-----	--	---	--	-----	-------	------	--	--------	------

**OCKELBO**

<b>MAG 2034</b>				-		0.5	B7ES	1111		BR7EIX	6664
<b>Sachs Wankel KM914</b>				-		0.5	B6HS	4510		BR6HIX	3419
<b>Sachs SA280</b>		280		-		0.5	AB-6	2910			
<b>Sachs SA290</b>		290		-		0.5	AB-7	3010			
<b>Sachs SA290SS</b>		290		-		0.5	B8HS	5510		BR8HIX	7001

\* Bitte Elektrodenabstand nach Angaben des Herstellers justieren

\* Please adjust the ground electrode gap

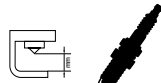
\* Veuillez vérifier l'écartement

\* Por favor, ajustar la distancia entre los electrodos

\* Regolare il gap

\* Iridium IX Spark Plug is the standard recommendation





Stock No.

Quick No.

Upgrade ↑

Stock No. ↑

**OCKELBO**

<b>JLO LR340/2</b>		340	-		0.5	B8ES	2411	Q201	BR8EIX	5044
<b>Sachs SA340</b>		340	-		0.5	AB-8	7909			
<b>Sachs SA340RX</b>		340	-		0.5	B9ES	2611	Q202	BR9EIX	3981
<b>JLO 2F-400</b>		400	-		0.5	B7ES	1111		BR7EIX	6664
<b>Rotax Ockelbo 400</b>		400	-		0.5	B7ES	1111		BR7EIX	6664
<b>Rotax Ockelbo 600</b>		600	-		0.5	B8ES	2411	Q201	BR8EIX	5044
<b>Rotax Ockelbo 800</b>		600	-		0.5	B8ES	2411	Q201	BR8EIX	5044
<b>Rotax Ockelbo 8000</b>		600	-		0.5	B8ES	2411	Q201	BR8EIX	5044

**OMC**

<b>With CDI System</b>			-	JOHNSON-EVINRUDE	*	BUHX	2522			
<b>M 215</b>		362	-	JOHNSON-EVINRUDE	0.8	B-4	3210			
<b>M 228</b>		399	-	JOHNSON-EVINRUDE	0.8	B6S	3510			
<b>M 232</b>		399	-	JOHNSON-EVINRUDE	0.8	B8S	3810			
<b>M 232E</b>		399	-	JOHNSON-EVINRUDE	0.8	B8S	3810			
<b>M 235</b>		399	-	JOHNSON-EVINRUDE	0.8	B8S	3810			
<b>M 237</b>		399	-	JOHNSON-EVINRUDE	0.8	B8S	3810			
<b>M 225</b>		437	-	JOHNSON-EVINRUDE	0.8	B6S	3510			
<b>M 225C</b>		437	-	JOHNSON-EVINRUDE	0.8	B6S	3510			
<b>M 226E</b>		437	-	JOHNSON-EVINRUDE	0.8	B6S	3510			
<b>M 226W</b>		437	-	JOHNSON-EVINRUDE	0.8	B6S	3510			
<b>M 227</b>		437	-	JOHNSON-EVINRUDE	0.8	B7S	3710			
<b>M 229E</b>		437	-	JOHNSON-EVINRUDE	0.8	B8S	3810			
<b>M 229W</b>		437	-	JOHNSON-EVINRUDE	0.8	B8S	3810			
<b>M 230</b>		437	-	JOHNSON-EVINRUDE	0.8	B8S	3810			
<b>M2 30E</b>		437	-	JOHNSON-EVINRUDE	0.8	B8S	3810			
<b>M 231E</b>		437	-	JOHNSON-EVINRUDE	0.8	B6S	3510			
<b>M 231W</b>		437	-	JOHNSON-EVINRUDE	0.8	B6S	3510			
<b>M 233</b>		437	-	JOHNSON-EVINRUDE	0.8	B8S	3810			
<b>M 233E</b>		437	-	JOHNSON-EVINRUDE	0.8	B8S	3810			
<b>M 234E</b>		437	-	JOHNSON-EVINRUDE	0.8	B8S	3810			
<b>M 236</b>		437	-	JOHNSON-EVINRUDE	0.8	B8S	3810			
<b>M 238</b>		437	-	JOHNSON-EVINRUDE	0.8	B8S	3810			
<b>M 239E</b>		437	-	JOHNSON-EVINRUDE	0.8	B8S	3810			
<b>M 241E</b>		437	-	JOHNSON-EVINRUDE	0.8	B8S	3810			
<b>M 245</b>		437	-	JOHNSON-EVINRUDE	0.8	B8S	3810			

**POLARIS**

<b>DRAGON RMK</b>			2	2007-		0.6	BR10EG	3830		
<b>DRAGON RMK INTL</b>			2	2007-		0.6	BR10EG	3830		
<b>FRONTIER CLASSIC</b>	S03ND7DS		2	2003-		0.7	BKR7E	6097	BKR7EIX	2667

\*Bitte Elektrodenabstand nach Angaben des Herstellers justieren

\*Please adjust the ground electrode gap

\*Veuillez vérifier l'écartement

\* Por favor, ajustar la distancia entre los electrodos

\*Regolare il gap

\*\* Iridium IX Spark Plug is the standard recommendation





Stock No.

Quick No.

Upgrade ↑

Stock No. ↑

**POLARIS**

<b>FRONTIER CLASSIC</b>	S04ND7DS		2	2004-		0.7	BKR7E	6097		BKR7EIX	2667
<b>FRONTIER TOURING</b>	S03NT7DS		2	2003-		0.7	BKR7E	6097		BKR7EIX	2667
<b>FRONTIER TOURING</b>	S04NT7DS		2	2004-		0.7	BKR7E	6097		BKR7EIX	2667
<b>FRONTIER TOURING</b>	S05NT7DS/ S05NT7DE		2	2005-		0.7	BKR7E	6097		BKR7EIX	2667
<b>FS CLASSIC</b>			2	2006-		0.7	BKR7E	6097		BKR7EIX	2667
<b>FST CLASSIC</b>			2	2006-		0.9	PFR7G-9	4371			
<b>FST IQ CRUISER</b>			2	2007-		0.9	PFR7G-9	4371			
<b>FST IQ LX</b>			2	2007-		0.9	PFR7G-9	4371			
<b>FST IQ SWITCHBACK</b>			2	2007-		0.9	PFR7G-9	4371			
<b>FS TOURING</b>			2	2006-		0.7	BKR7E	6097		BKR7EIX	2667
<b>FST SWITCHBACK</b>			2	2006-		0.9	PFR7G-9	4371			
<b>FST TOURING</b>			2	2006-		0.9	PFR7G-9	4371			
<b>INDY FRONTIER</b>	S02NT7DS		2	2002-		0.7	BKR7E	6097		BKR7EIX	2667
<b>IQ TURBO DRAGON</b>			2	2008-		*	PFR7ZTG	5768			
<b>IQ TURBO DRAGON EURO</b>			2	2008-		*	PFR7ZTG	5768			
<b>IQ TURBO LX</b>			2	2008-		*	PFR7ZTG	5768			
<b>WIDETRAK LX</b>			2	2008-2009		0.8	BR8ES	5422	Q207	BR8EIX	5044
<b>WIDETRAK LX</b>			2	2010-		0.8	BR8ES	5422	Q207	BR8EIX	5044
<b>WIDETRAK LX</b>			2	2011-2014		0.8	BR8ES	5422	Q207	BR8EIX	5044
<b>WIDETRAK LX EURO</b>			2	2008-2009		0.8	BR8ES	5422	Q207	BR8EIX	5044
<b>WIDETRAK LX INTL</b>			2	2011-2014		0.8	BR8ES	5422	Q207	BR8EIX	5044
<b>120</b>		120	1	2007-		0.9	BR6ES	4922			
<b>120</b>		120	1	2009-		0.9	BR6ES	4922			
<b>120 ASSAULT</b>		120	1	2011-		0.9	BR6ES	4922			
<b>120 ASSAULT INTL</b>		120	1	2011-		0.9	BR6ES	4922			
<b>120 DRAGON</b>		120	1	2008-		0.9	BR6ES	4922			
<b>120 DRAGON</b>		120	1	2010-		0.9	BR6ES	4922			
<b>120 DRAGON EURO</b>		120	1	2008-		0.9	BR6ES	4922			
<b>120 DRAGON INTL</b>		120	1	2010-		0.9	BR6ES	4922			
<b>120 EURO</b>		120	1	2009-		0.9	BR6ES	4922			
<b>120 INDY</b>	INDY	120	1	2014-		0.9	BR6ES	4922			
<b>120 INDY INTL</b>	INDY	120	1	2014-		0.9	BR6ES	4922			
<b>120 PRO</b>	RUSH	120	1	2012-		0.9	BR6ES	4922			
<b>120 PRO INTL</b>	RUSH	120	1	2012-		0.9	BR6ES	4922			
<b>120 PRO-R</b>	RUSH	120	1	2013-		0.9	BR6ES	4922			
<b>120 PRO-R INTL</b>	RUSH	120	1	2013-		0.9	BR6ES	4922			
<b>120 PRO X</b>	S04WB1AS	120	1	2004-		0.9	BR6ES	4922			
<b>120 PRO X</b>	S05WB1AS	120	1	2005-		0.9	BR6ES	4922			
<b>120 PRO X</b>		120	1	2006-		0.9	BR6ES	4922			
<b>120 XCR</b>	S00WB1AS	120	1	2000-2000		0.9	BR6ES	4922			
<b>120 XC SP</b>	S01WB1AS	120	1	2001-		0.9	BR6ES	4922			
<b>120 XC SP</b>	S02WB1AS	120	1	2002-		0.9	BR6ES	4922			
<b>120 XC SP</b>	S03WB1AS	120	1	2003-		0.9	BR6ES	4922			
<b>EC16P</b>		164		-		0.4	B7ES	1111		BR7EIX	6664
<b>EC17P</b>		175	1	-		0.4	B7ES	1111		BR7EIX	6664
<b>EC17PM</b>		175	1	-		0.4	B7ES	1111		BR7EIX	6664
<b>EC25PC</b>		244	2	-		0.5	B9ES	2611	Q202	BR9EIX	3981
<b>EC25PM-01</b>		244	2	1976-		0.5	BR8ES	3961		BR8EIX	5044
<b>EC25PS</b>		244	1	1973-		0.5	BR8ES	5422	Q207	BR8EIX	5044
<b>EC25PT</b>		244	2	-		0.5	B9ES	2611	Q202	BR9EIX	3981
<b>EC25PT-04</b>		244	2	-		0.7	BR8ES	3961		BR8EIX	5044

\* Bitte Elektrodenabstand nach Angaben des Herstellers justieren

\* Please adjust the ground electrode gap

\* Veuillez vérifier l'écartement

\* Por favor, ajustar la distancia entre los electrodos

\* Regolare il gap

\* Iridium IX Spark Plug is the standard recommendation







Stock No.

Quick No.

Upgrade ↑

Stock No. ↑

**POLARIS**

<b>EC25PT-05</b>		244	2	-		0.5	B10ES	7928		BR10EIX	6801
<b>EC25PT-06</b>		244	2	-		0.5	B9ES	2611	Q202	BR9EIX	3981
<b>EC25PT-07</b>		244	2	-		0.7	BR9ES	3194		BR9EIX	3981
<b>250 STAR</b>	0850927	250	1	1985-		0.8	BR8ES	5422	Q207	BR8EIX	5044
<b>250 STAR</b>	0860927	250	1	1986-1986		0.8	BR8ES	5422	Q207	BR8EIX	5044
<b>250 STAR</b>	0870927	250	1	1987-		0.8	BR8ES	5422	Q207	BR8EIX	5044
<b>250 STAR</b>	0880927	250	1	1988-		0.8	BR8ES	5422	Q207	BR8EIX	5044
<b>250 STAR</b>	0890927	250	1	1989-1989		0.8	BR8ES	5422	Q207	BR8EIX	5044
<b>250 STAR</b>	0900927	250	1	1990-		0.8	BR8ES	5422	Q207	BR8EIX	5044
<b>250 STAR FIN</b>	F850927	250	1	1985-		0.8	BR8ES	5422	Q207	BR8EIX	5044
<b>250 STAR FIN</b>	F880927	250	1	1988-		0.8	BR8ES	5422	Q207	BR8EIX	5044
<b>250 STAR FIN</b>	F900927	250	1	1990-		0.8	BR8ES	5422	Q207	BR8EIX	5044
<b>250 STAR NOR</b>	N860927	250	1	1986-1986		0.8	BR8ES	5422	Q207	BR8EIX	5044
<b>250 STAR NOR</b>	N870927	250	1	1987-		0.8	BR8ES	5422	Q207	BR8EIX	5044
<b>250 STAR NOR</b>	N890927	250	1	1989-1989		0.8	BR8ES	5422	Q207	BR8EIX	5044
<b>250 STAR NOR</b>	N900927	250	1	1990-		0.8	BR8ES	5422	Q207	BR8EIX	5044
<b>250 STARTRAK</b>	0871027	250	1	1987-		0.8	BR8ES	5422	Q207	BR8EIX	5044
<b>250 STARTRAK</b>	0881027	250	1	1988-		0.8	BR8ES	5422	Q207	BR8EIX	5044
<b>250 STARTRAK</b>	0891027	250	1	1989-1989		0.8	BR8ES	5422	Q207	BR8EIX	5044
<b>250 STARTRAK</b>	0901027	250	1	1990-		0.8	BR8ES	5422	Q207	BR8EIX	5044
<b>250 STARTRAK FIN</b>	F881027	250	1	1988-		0.8	BR8ES	5422	Q207	BR8EIX	5044
<b>250 STARTRAK FIN</b>	F901027	250	1	1990-		0.8	BR8ES	5422	Q207	BR8EIX	5044
<b>250 STARTRAK NOR</b>	N871027	250	1	1987-		0.8	BR8ES	5422	Q207	BR8EIX	5044
<b>250 STARTRAK NOR</b>	N881027	250	1	1988-		0.8	BR8ES	5422	Q207	BR8EIX	5044
<b>250 STARTRAK NOR</b>	N891027	250	1	1989-1989		0.8	BR8ES	5422	Q207	BR8EIX	5044
<b>250 STARTRAK NOR</b>	N901027	250	1	1990-		0.8	BR8ES	5422	Q207	BR8EIX	5044
<b>250 STARTRAK SWE</b>	S881027	250	1	1988-		0.8	BR8ES	5422	Q207	BR8EIX	5044
<b>250 STARTRAK SWE</b>	S891027	250	1	1989-1989		0.8	BR8ES	5422	Q207	BR8EIX	5044
<b>EC25</b>		250		-		0.6	BR8ES	5422	Q207	BR8EIX	5044
<b>EC25PC</b>		250	2	1974-		0.5	B9ES	2611	Q202	BR9EIX	3981
<b>EC25PT</b>		250	2	1974-		0.5	B9ES	2611	Q202	BR9EIX	3981
<b>EC25PT-04</b>		250	2	-		0.5	B8ES	2411	Q201	BR8EIX	5044
<b>EC25PT-05</b>		250	2	1976-		0.5	B10ES	7928		BR10EIX	6801
<b>EC25PT-06</b>		250	2	1976-		0.5	B9ES	2611	Q202	BR9EIX	3981
<b>EC25PT-07</b>		250	2	1976-		0.5	BR9ES	3194		BR9EIX	3981
<b>EC29P</b>		294	2	1972-		0.5	B7ES	1111		BR7EIX	6664
<b>EC29PF</b>		294	2	1972-		0.5	B7ES	1111		BR7EIX	6664
<b>EC29PM</b>		294	2	1973-		0.5	B7ES	1111		BR7EIX	6664
<b>EC29PS</b>		294	2	1973-		0.5	B8ES	2411	Q201	BR8EIX	5044
<b>EC29PS</b>		294	2	1973-		0.7	BR8ES	3961		BR8EIX	5044
<b>EC34-2P-03</b>		333		-		0.6	BR9ES	5722		BR9EIX	3981
<b>EC34PL-01</b>		333	2	1977-		0.5	B9ES	2611	Q202	BR9EIX	3981
<b>EC34PL-02</b>		333	2	-		0.5	BR9ES	3194		BR9EIX	3981
<b>EC34PL-03</b>		333	2	1978-		0.5	B10ES	7928		BR10EIX	6801
<b>EC34PL-04</b>		333	2	-		0.5	B10ES	7928		BR10EIX	6801
<b>EC34PL-05</b>		333	2	-		0.5	BR9ES	3194		BR9EIX	3981
<b>EC34PM-03</b>		333	2	-		0.5	BR8ES	3961		BR8EIX	5044
<b>EC34PM-04</b>		333	2	-		0.5	BR9ES	3194		BR9EIX	3981
<b>EC34PM-04-N</b>		333	2	-		0.5	B8ES	2411	Q201	BR8EIX	5044
<b>EC34-2P-02</b>		335		-		0.6	BR9ES	5722		BR9EIX	3981
<b>EC34-2PM-01</b>		335	2	-		0.6	BR9ES	5722		BR9EIX	3981
<b>EC34P</b>		335	2	-		0.5	B7ES	1111		BR7EIX	6664

\*Bitte Elektrodenabstand nach Angaben des Herstellers justieren

\*Please adjust the ground electrode gap

\*Veuillez vérifier l'écartement

\* Por favor, ajustar la distancia entre los electrodos

\*Regolare il gap

\*\* Iridium IX Spark Plug is the standard recommendation





Stock No.

Quick No.

Upgrade ↑

Stock No. ↑

**POLARIS**

<b>EC34PC</b>		335	2	-		0.7	BR8ES	3961		BR8EIX	5044
<b>EC34PF</b>		335	2	1973-		0.5	B8ES	2411	Q201	BR8EIX	5044
<b>EC34PF</b>		335	2	1973-		0.7	BR8ES	3961		BR8EIX	5044
<b>EC34PQ</b>		335	2	-		0.7	BR8ES	3961		BR8EIX	5044
<b>EC34PR-06</b>		335	2	-		0.5	B10ES	7928		BR10EIX	6801
<b>EC34PS</b>		335	2	1972-		0.5	B8ES	2411	Q201	BR8EIX	5044
<b>EC34PS</b>		335	2	1972-		0.7	BR8ES	3961		BR8EIX	5044
<b>EC34PT-04</b>		335	2	-		0.5	B8ES	2411	Q201	BR8EIX	5044
<b>EC34PT-04</b>		335	2	-		0.7	BR8ES	3961		BR8EIX	5044
<b>EC34PT-05</b>		335	2	1976-		0.5	BR9ES	3194		BR9EIX	3981
<b>EC34PT-06</b>		335	2	1976-		0.5	B10ES	7928		BR10EIX	6801
<b>EC34PT-07</b>		335	2	-		0.5	BR9ES	3194		BR9EIX	3981
<b>EC34PC</b>		336	2	-		0.5	B8ES	2411	Q201	BR8EIX	5044
<b>EC34PQ</b>		336	2	1974-		0.5	B8ES	2411	Q201	BR8EIX	5044
<b>EC34-2PM-02</b>		339	2	-		0.7	BR8ES	5422	Q207	BR8EIX	5044
<b>EC34-2PME-02</b>		339		-		0.7	BR8ES	5422	Q207	BR8EIX	5044
<b>340</b>		340	1	2008-		0.8	BR8ES	5422	Q207	BR8EIX	5044
<b>340 CLASSIC</b>	S04NB3AS	340	1	2004-		0.8	BR8ES	5422	Q207	BR8EIX	5044
<b>340 CLASSIC</b>	S05ND3AS	340	1	2005-		0.8	BR8ES	5422	Q207	BR8EIX	5044
<b>340 CLASSIC</b>		340	1	2006-		0.8	BR8ES	5422	Q207	BR8EIX	5044
<b>340 EDGE</b>	S03NB3AS/ S03ND3AS	340	1	2003-		0.8	BR8ES	5422	Q207	BR8EIX	5044
<b>340 EDGE CLASSIC</b>	S03NB3AS/ S03ND3AS	340	1	2003-		0.8	BR8ES	5422	Q207	BR8EIX	5044
<b>340 EDGE LX</b>		340	1	2007-		0.8	BR8ES	5422	Q207	BR8EIX	5044
<b>340 EDGE TOURING</b>		340	1	2007-		0.8	BR8ES	5422	Q207	BR8EIX	5044
<b>340 INDY</b>	099LB3AS	340	1	1999-		0.8	BR8ES	5422	Q207	BR8EIX	5044
<b>340 INDY</b>	S04NB3AS	340	1	2004-		0.8	BR8ES	5422	Q207	BR8EIX	5044
<b>340 INDY DELUXE</b>	099LD3AS	340	1	1999-		0.8	BR8ES	5422	Q207	BR8EIX	5044
<b>340 INDY DELUXE</b>	S00LD3AS	340	1	2000-2000		0.8	BR8ES	5422	Q207	BR8EIX	5044
<b>340 INDY DELUXE</b>	S01LD3AS	340	1	2001-		0.8	BR8ES	5422	Q207	BR8EIX	5044
<b>340 INDY DELUXE</b>	S02LD3AS	340	1	2002-		0.8	BR8ES	5422	Q207	BR8EIX	5044
<b>340 INDY TOURING</b>	099LT3AS	340	1	1999-		0.8	BR8ES	5422	Q207	BR8EIX	5044
<b>340 INDY TOURING</b>	S00LT3AS	340	1	2000-2000		0.8	BR8ES	5422	Q207	BR8EIX	5044
<b>340 INDY TOURING</b>	S01LT3AS	340	1	2001-		0.8	BR8ES	5422	Q207	BR8EIX	5044
<b>340 INDY TOURING</b>	S02LT3AS	340	1	2002-		0.8	BR8ES	5422	Q207	BR8EIX	5044
<b>340 INDY TOURING</b>	S03LT3AS	340	1	2003-		0.8	BR8ES	5422	Q207	BR8EIX	5044
<b>340 INT'L</b>	S04NB3AS	340	1	2004-		0.8	BR8ES	5422	Q207	BR8EIX	5044
<b>340 INT'L</b>	T3AS/T3AE	340	1	2004-		0.8	BR8ES	5422	Q207	BR8EIX	5044
<b>340 LITE</b>	0913033	340	2	1991-		0.8	BR8ES	5422	Q207	BR8EIX	5044
<b>340 LITE</b>	0923033	340	2	1992-		0.8	BR8ES	5422	Q207	BR8EIX	5044
<b>340 LITE</b>	0933433	340	2	1993-		0.8	BR8ES	5422	Q207	BR8EIX	5044
<b>340 LITE</b>	0943433	340	2	1994-		0.8	BR8ES	5422	Q207	BR8EIX	5044
<b>340 LITE</b>	0953433	340	2	1995-		0.8	BR8ES	5422	Q207	BR8EIX	5044
<b>340 LITE</b>	0963433	340	2	1996-		0.8	BR8ES	5422	Q207	BR8EIX	5044
<b>340 LITE</b>	0973433	340	2	1997-		0.8	BR8ES	5422	Q207	BR8EIX	5044
<b>340 LITE</b>	0983433	340	2	1998-		0.8	BR8ES	5422	Q207	BR8EIX	5044
<b>340 LITE DELUXE</b>	0923231	340	2	1992-		0.8	BR8ES	5422	Q207	BR8EIX	5044
<b>340 LITE DELUXE</b>	0933431	340	2	1993-		0.8	BR8ES	5422	Q207	BR8EIX	5044
<b>340 LITE DELUXE</b>	0943431	340	2	1994-		0.8	BR8ES	5422	Q207	BR8EIX	5044
<b>340 LITE DELUXE</b>	0953431	340	2	1995-		0.8	BR8ES	5422	Q207	BR8EIX	5044
<b>340 LITE DELUXE</b>	0963431	340	2	1996-		0.8	BR8ES	5422	Q207	BR8EIX	5044
<b>340 LITE DELUXE</b>	0973431	340	2	1997-		0.8	BR8ES	5422	Q207	BR8EIX	5044

\* Bitte Elektrodenabstand nach Angaben des Herstellers justieren

\* Please adjust the ground electrode gap

\* Veuillez vérifier l'écartement

\* Por favor, ajustar la distancia entre los electrodos

\* Regolare il gap

\* Iridium IX Spark Plug is the standard recommendation





Stock No.

Quick No.

Upgrade ↑

Stock No. ↑

**POLARIS**

<b>340 LITE EUROPEAN</b>	E943433	340	2	1994-		0.8	BR8ES	5422	Q207	BR8EIX	5044
<b>340 LITE EUROPEAN</b>	E963433	340	2	1996-		0.8	BR8ES	5422	Q207	BR8EIX	5044
<b>340 LITE GT</b>	0913133	340	2	1991-		0.8	BR8ES	5422	Q207	BR8EIX	5044
<b>340 LITE GT</b>	0923133	340	2	1992-		0.8	BR8ES	5422	Q207	BR8EIX	5044
<b>340 LITE GT</b>	0933133	340	2	1993-		0.8	BR8ES	5422	Q207	BR8EIX	5044
<b>340 LITE GT</b>	0943133	340	2	1994-		0.8	BR8ES	5422	Q207	BR8EIX	5044
<b>340 LITE GT</b>	0953133	340	2	1995-		0.8	BR8ES	5422	Q207	BR8EIX	5044
<b>340 LITE GT</b>	0963133	340	2	1996-		0.8	BR8ES	5422	Q207	BR8EIX	5044
<b>340 LITE GT</b>	0973133	340	2	1997-		0.8	BR8ES	5422	Q207	BR8EIX	5044
<b>340 LITE GT EUROPEAN</b>	E943133	340	2	1994-		0.8	BR8ES	5422	Q207	BR8EIX	5044
<b>340 LITE GT EUROPEAN</b>	E953133	340	2	1995-		0.8	BR8ES	5422	Q207	BR8EIX	5044
<b>340 LITE GT EUROPEAN</b>	E963133	340	2	1996-		0.8	BR8ES	5422	Q207	BR8EIX	5044
<b>340 LITE GT EUROPEAN</b>	E973133	340	2	1997-		0.8	BR8ES	5422	Q207	BR8EIX	5044
<b>340 LITE GT FINLAND</b>	F923133	340	2	1992-		0.8	BR8ES	5422	Q207	BR8EIX	5044
<b>340 LITE GT SWE</b>	S923133	340	2	1992-		0.8	BR8ES	5422	Q207	BR8EIX	5044
<b>340 LITE SWE</b>	S913033	340	2	1991-		0.8	BR8ES	5422	Q207	BR8EIX	5044
<b>340 LITE SWE</b>	S923033	340	2	1992-		0.8	BR8ES	5422	Q207	BR8EIX	5044
<b>340 LITE TOURING</b>	0983133	340	2	1998-		0.8	BR8ES	5422	Q207	BR8EIX	5044
<b>340 LITE TOURING EUROPEAN</b>	E983133	340	2	1998-		0.8	BR8ES	5422	Q207	BR8EIX	5044
<b>340 SPORT</b>	0870433	340	2	1987-		0.7	BR9ES	5722		BR9EIX	3981
<b>340 SPORT</b>	0880433	340	2	1988-		0.7	BR9ES	5722		BR9EIX	3981
<b>340 SPORT</b>	0890433	340	2	1989-1989		0.7	BR9ES	5722		BR9EIX	3981
<b>340 SPORT FIN</b>	F880433	340	2	1988-		0.7	BR9ES	5722		BR9EIX	3981
<b>340 SPORT GT NOR</b>	N892433	340	2	1989-1989		0.7	BR9ES	5722		BR9EIX	3981
<b>340 SPORT GT SWE</b>	S892433	340	2	1989-1989		0.7	BR9ES	5722		BR9EIX	3981
<b>340 SPORT NOR</b>	N870433	340	2	1987-		0.7	BR9ES	5722		BR9EIX	3981
<b>340 SPORT NOR</b>	N880433	340	2	1988-		0.7	BR9ES	5722		BR9EIX	3981
<b>340 SPORT NOR</b>	N890433	340	2	1989-1989		0.7	BR9ES	5722		BR9EIX	3981
<b>340 SPORT SWE</b>	S880433	340	2	1988-		0.7	BR9ES	5722		BR9EIX	3981
<b>340 SPORT SWE</b>	S890433	340	2	1989-1989		0.7	BR9ES	5722		BR9EIX	3981
<b>340 SPRINT</b>	0860933	340	2	1986-1986		0.7	BR9ES	5722		BR9EIX	3981
<b>340 SPRINT</b>	0870933	340	2	1987-		0.7	BR9ES	5722		BR9EIX	3981
<b>340 SPRINT ES</b>	0860931	340	2	1986-1986		0.7	BR9ES	5722		BR9EIX	3981
<b>340 SPRINT ES</b>	0870931	340	2	1987-		0.7	BR9ES	5722		BR9EIX	3981
<b>340 SPRINT ES</b>	0880931	340	2	1988-		0.7	BR9ES	5722		BR9EIX	3981
<b>340 SPRINT ES</b>	0890931	340	2	1989-1989		0.7	BR9ES	5722		BR9EIX	3981
<b>340 SPRINT ES</b>	0900931	340	2	1990-		0.7	BR9ES	5722		BR9EIX	3981
<b>340 SPRINT ES NOR</b>	N860931	340	2	1986-1986		0.7	BR9ES	5722		BR9EIX	3981
<b>340 SPRINT ES NOR</b>	N870931	340	2	1987-		0.7	BR9ES	5722		BR9EIX	3981
<b>340 SPRINT NOR</b>	N860933	340	2	1986-1986		0.7	BR9ES	5722		BR9EIX	3981
<b>340 SPRINT NOR</b>	N870933	340	2	1987-		0.7	BR9ES	5722		BR9EIX	3981
<b>340 STAR LITE</b>	0913027	340	2	1991-		0.8	BR8ES	5422	Q207	BR8EIX	5044
<b>340 STAR LITE</b>	0923027	340	2	1992-		0.8	BR8ES	5422	Q207	BR8EIX	5044
<b>340 STAR LITE</b>	0933427	340	2	1993-		0.8	BR8ES	5422	Q207	BR8EIX	5044
<b>340 STAR LITE</b>	0943427	340	2	1994-		0.8	BR8ES	5422	Q207	BR8EIX	5044
<b>340 STAR LITE</b>	0953427	340	2	1995-		0.8	BR8ES	5422	Q207	BR8EIX	5044
<b>340 STAR LITE GT</b>	0933127	340	2	1993-		0.8	BR8ES	5422	Q207	BR8EIX	5044
<b>340 STAR LITE GT</b>	0943127	340	2	1994-		0.8	BR8ES	5422	Q207	BR8EIX	5044
<b>340 STAR LITE SWE</b>	S913027	340	2	1991-		0.8	BR8ES	5422	Q207	BR8EIX	5044
<b>340 STAR LITE SWE</b>	S923027	340	2	1992-		0.8	BR8ES	5422	Q207	BR8EIX	5044

\*Bitte Elektrodenabstand nach Angaben des Herstellers justieren

\*Please adjust the ground electrode gap

\*Veuillez vérifier l'écartement

\* Por favor, ajustar la distancia entre los electrodos

\*Regolare il gap

\*\* Iridium IX Spark Plug is the standard recommendation





Stock No.

Quick No.

Upgrade ↑

Stock No. ↑

**POLARIS**

<b>340 STAR SWE</b>	S850927	340	2	1985-		0.7	BR9ES	5722		BR9EIX	3981
<b>340 STAR TWIN</b>	0850933	340	2	1985-		0.7	BR9ES	5722		BR9EIX	3981
<b>340 STAR TWIN ES</b>	0850931	340	2	1985-		0.7	BR9ES	5722		BR9EIX	3981
<b>340 TOURING</b>	T3AS/T3AE	340	1	2004-		0.8	BR8ES	5422	Q207	BR8EIX	5044
<b>340 TOURING</b>	TOURING	340	1	2006-		0.8	BR8ES	5422	Q207	BR8EIX	5044
<b>340 TRANSPORT</b>	RT	340	1	2008-		0.8	BR8ES	5422	Q207	BR8EIX	5044
<b>340 TRANSPORT EURO</b>	EURO	340	1	2008-		0.8	BR8ES	5422	Q207	BR8EIX	5044
<b>EC37P</b>		372		-		0.5	B8ES	2411	Q201	BR8EIX	5044
<b>EC37P</b>		372		-		0.7	BR8ES	3961		BR8EIX	5044
<b>EC40P</b>		398	2	1972-		0.5	B7ES	1111		BR7EIX	6664
<b>EC40P-03</b>		398	2	-		0.6	BR9ES	5722		BR9EIX	3981
<b>EC40PL-01</b>		398	2	-		0.6	BR9ES	3194		BR9EIX	3981
<b>EC40PL-02</b>		398	2	-		0.6	BR8ES	5422	Q207	BR8EIX	5044
<b>EC40PL-04</b>		398	2	-		0.6	BR8ES	5422	Q207	BR8EIX	5044
<b>EC40PM</b>		398	2	1973-		0.5	B7ES	1111		BR7EIX	6664
<b>EC40PS</b>		398	2	1973-		0.5	B10ES	7928		BR10EIX	6801
<b>400</b>	0850759	400	2	1985-		0.7	BR9ES	5722		BR9EIX	3981
<b>400</b>	0860759	400	2	1986-1986		0.7	BR9ES	5722		BR9EIX	3981
<b>400</b>	0870759	400	2	1987-		0.7	BR9ES	5722		BR9EIX	3981
<b>400</b>	0880759	400	2	1988-		0.7	BR9ES	5722		BR9EIX	3981
<b>400</b>	0890759	400	2	1989-1989		0.7	BR9ES	5722		BR9EIX	3981
<b>400</b>	0900759	400	2	1990-		0.7	BR9ES	5722		BR9EIX	3981
<b>400</b>	0910759	400	2	1991-		0.8	BR8ES	5422	Q207	BR8EIX	5044
<b>400 CLASSIC</b>	0880859	400	2	1988-		0.7	BR9ES	5722		BR9EIX	3981
<b>400 CLASSIC NOR</b>	N880859	400	2	1988-		0.7	BR9ES	5722		BR9EIX	3981
<b>400 FIN</b>	F880759	400	2	1988-		0.7	BR9ES	5722		BR9EIX	3981
<b>400 NOR</b>	N870759	400	2	1987-		0.7	BR9ES	5722		BR9EIX	3981
<b>400 NOR</b>	N880759	400	2	1988-		0.7	BR9ES	5722		BR9EIX	3981
<b>400 NOR</b>	N890759	400	2	1989-1989		0.7	BR9ES	5722		BR9EIX	3981
<b>400 SKS</b>	0870559	400	2	1987-		0.7	BR9ES	5722		BR9EIX	3981
<b>400 SKS</b>	0880559	400	2	1988-		0.7	BR9ES	5722		BR9EIX	3981
<b>400 SKS FIN</b>	F880559	400	2	1988-		0.7	BR9ES	5722		BR9EIX	3981
<b>400 SKS NOR</b>	N870559	400	2	1987-		0.7	BR9ES	5722		BR9EIX	3981
<b>400 SKS NOR</b>	N880559	400	2	1988-		0.7	BR9ES	5722		BR9EIX	3981
<b>400 SKS NOR</b>	N890559	400	2	1989-1989		0.7	BR9ES	5722		BR9EIX	3981
<b>400 SKS SWE</b>	S880559	400	2	1988-		0.7	BR9ES	5722		BR9EIX	3981
<b>400 SWE</b>	S880759	400	2	1988-		0.7	BR9ES	5722		BR9EIX	3981
<b>400 SWE</b>	S890759	400	2	1989-1989		0.7	BR9ES	5722		BR9EIX	3981
<b>400 XC</b>	0911759	400	2	1991-		0.7	BR9ES	5722		BR9EIX	3981
<b>EC34-2PM-02</b>		432	2	-		0.7	BR8ES	5422	Q207	BR8EIX	5044
<b>EC44-2PM-1100</b>		432	2	-		0.5	BR9ES	3194		BR9EIX	3981
<b>EC44-2PM-2100</b>		432	2	-		0.5	BR9ES	3194		BR9EIX	3981
<b>EC44-2PM-3100</b>		432	2	-		0.5	BR9ES	3194		BR9EIX	3981
<b>EC44-2PM-3300</b>		432		-		0.5	BR9ES	3194		BR9EIX	3981
<b>EC44-2PM-4100</b>		432		-		0.6	BR9ES	5722		BR9EIX	3981
<b>EC44-2PM-5000</b>		432	2	-		0.5	BR9ES	3194		BR9EIX	3981
<b>EC44-2PM-5100</b>		432	2	-		0.5	BR9ES	3194		BR9EIX	3981
<b>EC44-3PM-01</b>		432	2	-		0.6	BR8ES	5422	Q207	BR8EIX	5044
<b>EC44P</b>		432	2	-		0.5	B7ES	1111		BR7EIX	6664
<b>EC44PM-01</b>		432	2	-		0.5	BR8ES	3961		BR8EIX	5044
<b>EC44PM-02</b>		432	2	-		0.5	BR8ES	3961		BR8EIX	5044
<b>EC44PM-03</b>		432	2	-		0.5	BR8ES	3961		BR8EIX	5044

\*Bitte Elektrodenabstand nach Angaben des Herstellers justieren

\*Please adjust the ground electrode gap

\*Veuillez vérifier l'écartement

\* Por favor, ajustar la distancia entre los electrodos

\*Regolare il gap

\* Iridium IX Spark Plug is the standard recommendation





Stock No.

Quick No.

Upgrade ↑

Stock No. ↑

**POLARIS**

EC44PQ		432	2	1974-		0.5	B8ES	2411	Q201	BR8EIX	5044
EC44PQ		432	2	1974-		0.7	BR8ES	3961		BR8EIX	5044
EC44PT		432	2	1974-		0.5	B10ES	7928		BR10EIX	6801
EC44PT-04		432	2	-		0.5	B10ES	7928		BR10EIX	6801
EC44PT-05		432	2	1976-		0.5	BR9ES	3194		BR9EIX	3981
EC44PT-06		432	2	1977-		0.5	B9ES	2611	Q202	BR9EIX	3981
EC44P		436	2	-		0.5	B7ES	1111		BR7EIX	6664
EC44PS		436	2	1973-		0.5	B10ES	7928		BR10EIX	6801
EC45PL-01		436	2	1999-		0.5	B10ES	7928		BR10EIX	6801
EC45PL-07		439	2	-		0.7	BR8ES	5422	Q207	BR8EIX	5044
EC45PL-08		439	2	-		0.7	BR8ES	5422	Q207	BR8EIX	5044
EC45PL-08		439	2	-		0.6	BR9ES	5722		BR9EIX	3981
EC45PL-09		439	2	-		0.6	BR8ES	5422	Q207	BR8EIX	5044
440	0920760	440	2	1992-		0.8	BR8ES	5422	Q207	BR8EIX	5044
440 EUROPEAN	E930760	440	2	1993-		0.8	BR8ES	5422	Q207	BR8EIX	5044
440 EUROPEAN	E942760	440	2	1994-		0.8	BR8ES	5422	Q207	BR8EIX	5044
440 INDY	0982760	440	2	1998-		0.8	BR8ES	5422	Q207	BR8EIX	5044
440 IQ	05MX4CS	440	2	2005-		0.6	BR10EG	3830			
440 IQ		440	2	2006-		0.6	BR10EG	3830			
440 IQ		440	2	2007-		0.6	BR10EG	3830			
440 IQ EURO		440	2	2007-		0.6	BR10EG	3830			
440 L/C	0930760	440	2	1993-		0.8	BR8ES	5422	Q207	BR8EIX	5044
440 L/C	0942760	440	2	1994-		0.8	BR8ES	5422	Q207	BR8EIX	5044
440 L/C	0952760	440	2	1995-		0.8	BR8ES	5422	Q207	BR8EIX	5044
440 L/C	0962760	440	2	1996-		0.8	BR8ES	5422	Q207	BR8EIX	5044
440 L/C	0972760	440	2	1997-		0.8	BR8ES	5422	Q207	BR8EIX	5044
440 LONGTRAK	0851449	440	2	1985-		0.7	BR9ES	5722		BR9EIX	3981
440 LONGTRAK	0861549	440	2	1986-1986		0.7	BR9ES	5722		BR9EIX	3981
440 LONGTRAK	0871549	440	2	1987-		0.7	BR9ES	5722		BR9EIX	3981
440 LONGTRAK	0881549	440	2	1988-		0.7	BR9ES	5722		BR9EIX	3981
440 LONGTRAK/ REVERSE	0891549	440	2	1989-1989		0.7	BR9ES	5722		BR9EIX	3981
440 LONGTRAK FIN	F881549	440	2	1988-		0.7	BR9ES	5722		BR9EIX	3981
440 LONGTRAK SWE	S851449	440	2	1985-		0.7	BR9ES	5722		BR9EIX	3981
440 LONGTRAK SWE	S881549	440	2	1988-		0.7	BR9ES	5722		BR9EIX	3981
440 LONGTRAK W/ REVERSE	0861549	440	2	1986-1986		0.7	BR9ES	5722		BR9EIX	3981
440 LONGTRAK W/ REVERSE	0871549	440	2	1987-		0.7	BR9ES	5722		BR9EIX	3981
440 LONGTRAK W/ REVERSE NOR	N871549	440	2	1987-		0.7	BR9ES	5722		BR9EIX	3981
440 LONGTRAK W/ REVERSE NOR	N861549	440	2	1987-		0.7	BR9ES	5722		BR9EIX	3981
440 LONGTRAK W/ REVERSE NOR	N881549	440	2	1988-		0.7	BR9ES	5722		BR9EIX	3981
440 PRO X	S01NX4CS	440	2	2001-		0.6	BR10EG	3830			
440 PRO X	S02NX4CS	440	2	2002-		0.6	BR10EG	3830			
440 PRO X	S03NX4CS	440	2	2003-		0.6	BR10EG	3830			
440 PRO X FAN COOLED	S02NX4FS	440	2	2002-		0.7	BR9ES	5722		BR9EIX	3981
440 PRO X FAN COOLED	S03NX4FS	440	2	2003-		0.7	BR9ES	5722		BR9EIX	3981
440 PRO XR	S04NX4CS	440	2	2004-		0.6	BR10EG	3830			
440 SKS	0930560	440	2	1993-		0.8	BR8ES	5422	Q207	BR8EIX	5044
440 SKS	0942560	440	2	1994-		0.8	BR8ES	5422	Q207	BR8EIX	5044
440 SKS	0952560	440	2	1995-		0.8	BR8ES	5422	Q207	BR8EIX	5044
440 SKS EUROPEAN	E930560	440	2	1993-		0.8	BR8ES	5422	Q207	BR8EIX	5044

\*Bitte Elektrodenabstand nach Angaben des Herstellers justieren

\*Please adjust the ground electrode gap

\*Veuillez vérifier l'écartement

\* Por favor, ajustar la distancia entre los electrodos

\*Regolare il gap

\*\* Iridium IX Spark Plug is the standard recommendation





Stock No.

Quick No.

Upgrade ↑

Stock No. ↑

**POLARIS**

<b>440 SKS EUROPEAN</b>	E942560	440	2	1994-		0.8	BR8ES	5422	Q207	BR8EIX	5044
<b>440 SKS EUROPEAN</b>	E952560	440	2	1995-		0.8	BR8ES	5422	Q207	BR8EIX	5044
<b>440 SPORT</b>	0900433	440	2	1990-		0.7	BR9ES	5722		BR9EIX	3981
<b>440 SPORT</b>	0910443	440	2	1991-		0.8	BR8ES	5422	Q207	BR8EIX	5044
<b>440 SPORT</b>	0920443	440	2	1992-		0.8	BR8ES	5422	Q207	BR8EIX	5044
<b>440 SPORT</b>	0930443	440	2	1993-		0.8	BR8ES	5422	Q207	BR8EIX	5044
<b>440 SPORT</b>	0940443	440	2	1994-		0.8	BR8ES	5422	Q207	BR8EIX	5044
<b>440 SPORT</b>	0950443	440	2	1995-		0.8	BR8ES	5422	Q207	BR8EIX	5044
<b>440 SPORT</b>	0960443	440	2	1996-		0.8	BR8ES	5422	Q207	BR8EIX	5044
<b>440 SPORT</b>	0970443	440	2	1997-		0.8	BR8ES	5422	Q207	BR8EIX	5044
<b>440 SPORT</b>	0980443	440	2	1998-		0.8	BR8ES	5422	Q207	BR8EIX	5044
<b>440 SPORT</b>	099SB4DS	440	2	1999-		0.8	BR8ES	5422	Q207	BR8EIX	5044
<b>440 SPORT EUROPEAN</b>	E930443	440	2	1993-		0.8	BR8ES	5422	Q207	BR8EIX	5044
<b>440 SPORT EUROPEAN</b>	E970443	440	2	1997-		0.8	BR8ES	5422	Q207	BR8EIX	5044
<b>440 SPORT GT</b>	0902433	440	2	1990-		0.7	BR9ES	5722		BR9EIX	3981
<b>440 SPORT GT</b>	0912443	440	2	1991-		0.8	BR8ES	5422	Q207	BR8EIX	5044
<b>440 SPORT GT</b>	0922443	440	2	1992-		0.8	BR8ES	5422	Q207	BR8EIX	5044
<b>440 SPORT GT NOR</b>	N902433	440	2	1990-		0.7	BR9ES	5722		BR9EIX	3981
<b>440 SPORT GT SWE</b>	S902433	440	2	1990-		0.7	BR9ES	5722		BR9EIX	3981
<b>440 SPORT GT SWE</b>	S912443	440	2	1991-		0.8	BR8ES	5422	Q207	BR8EIX	5044
<b>440 SPORT GT SWE</b>	S922443	440	2	1992-		0.8	BR8ES	5422	Q207	BR8EIX	5044
<b>440 SPORT LITE</b>	S00LB4AS	440	2	2000-2000		0.7	BR9ES	5722		BR9EIX	3981
<b>440 SPORT NOR</b>	N900433	440	2	1990-		0.7	BR9ES	5722		BR9EIX	3981
<b>440 SPORT SKS</b>	0940243	440	2	1994-		0.8	BR8ES	5422	Q207	BR8EIX	5044
<b>440 SPORT SKS EUROPEAN</b>	E940243	440	2	1994-		0.8	BR8ES	5422	Q207	BR8EIX	5044
<b>440 SPORT SWE</b>	S900433	440	2	1990-		0.7	BR9ES	5722		BR9EIX	3981
<b>440 SPORT SWE</b>	S920443	440	2	1992-		0.8	BR8ES	5422	Q207	BR8EIX	5044
<b>440 SPORT TOURING</b>	0950243	440	2	1995-		0.8	BR8ES	5422	Q207	BR8EIX	5044
<b>440 SPORT TOURING</b>	0960243	440	2	1996-		0.8	BR8ES	5422	Q207	BR8EIX	5044
<b>440 SPORT TOURING</b>	0970243	440	2	1997-		0.8	BR8ES	5422	Q207	BR8EIX	5044
<b>440 SPORT TOURING</b>	0980243	440	2	1998-		0.8	BR8ES	5422	Q207	BR8EIX	5044
<b>440 SPORT TOURING</b>	099ST4DS	440	2	1999-		0.8	BR8ES	5422	Q207	BR8EIX	5044
<b>440 SPORT TOURING EUROPEAN</b>	E950243	440	2	1995-		0.8	BR8ES	5422	Q207	BR8EIX	5044
<b>440 SPORT TOURING EUROPEAN</b>	E960243	440	2	1996-		0.8	BR8ES	5422	Q207	BR8EIX	5044
<b>440 SPORT TOURING EUROPEAN</b>	E970243	440	2	1997-		0.8	BR8ES	5422	Q207	BR8EIX	5044
<b>440 SS</b>	0851349	440	2	1985-		0.7	BR9ES	5722		BR9EIX	3981
<b>440 SS</b>	0861349	440	2	1986-1986		0.7	BR9ES	5722		BR9EIX	3981
<b>440 SS NOR</b>	N861349	440	2	1986-1986		0.7	BR9ES	5722		BR9EIX	3981
<b>440 SS SWE</b>	S851349	440	2	1985-		0.7	BR9ES	5722		BR9EIX	3981
<b>440 SUPER SPORT</b>	0940743	440	2	1994-		0.8	BR8ES	5422	Q207	BR8EIX	5044
<b>440 SUPER SPORT</b>	0950743	440	2	1995-		0.8	BR8ES	5422	Q207	BR8EIX	5044
<b>440 SUPER SPORT</b>	0960743	440	2	1996-		0.8	BR8ES	5422	Q207	BR8EIX	5044
<b>440 SUPER SPORT EUROPEAN</b>	E940743	440	2	1994-		0.8	BR8ES	5422	Q207	BR8EIX	5044
<b>440 SWE</b>	S920760	440	2	1992-		0.8	BR8ES	5422	Q207	BR8EIX	5044
<b>440 TRAIL</b>	0850743	440	2	1985-		0.7	BR9ES	5722		BR9EIX	3981
<b>440 TRAIL SWE</b>	S850743	440	2	1985-		0.7	BR9ES	5722		BR9EIX	3981
<b>440 TRANSPORT</b>	0960143	440	2	1996-		0.8	BR8ES	5422	Q207	BR8EIX	5044
<b>440 TRANSPORT</b>	0970143	440	2	1997-		0.8	BR8ES	5422	Q207	BR8EIX	5044
<b>440 TRANSPORT</b>	0980143	440	2	1998-		0.8	BR8ES	5422	Q207	BR8EIX	5044

\* Bitte Elektrodenabstand nach Angaben des Herstellers justieren

\* Please adjust the ground electrode gap

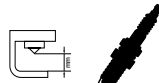
\* Veuillez vérifier l'écartement

\* Por favor, ajustar la distancia entre los electrodos

\* Regolare il gap

\* Iridium IX Spark Plug is the standard recommendation





Stock No.

Quick No.

Upgrade ↑

Stock No. ↑

**POLARIS**

<b>440 TRANSPORT</b>	099SU4DS	440	2	1999-		0.8	BR8ES	5422	Q207	BR8EIX	5044
<b>440 TRANSPORT EUROPEAN</b>	E960143	440	2	1996-		0.8	BR8ES	5422	Q207	BR8EIX	5044
<b>440 TRANSPORT EUROPEAN</b>	E970143	440	2	1997-		0.8	BR8ES	5422	Q207	BR8EIX	5044
<b>440 TRANSPORT EUROPEAN</b>	E980143	440	2	1998-		0.8	BR8ES	5422	Q207	BR8EIX	5044
<b>440 XC</b>	0971760	440	2	1997-		0.7	BR9ES	5722		BR9EIX	3981
<b>440 XCF</b>	0971643	440	2	1997-		0.8	BR8ES	5422	Q207	BR8EIX	5044
<b>440 XCF</b>	0981643	440	2	1998-		0.8	BR8ES	5422	Q207	BR8EIX	5044
<b>440 XCF</b>	099SP4AS	440	2	1999-		0.7	BR9ES	5722		BR9EIX	3981
<b>440 XCR</b>	0921760	440	2	1992-		0.7	BR9ES	5722		BR9EIX	3981
<b>440 XCR</b>	0931760	440	2	1993-		0.7	BR9ES	5722		BR9EIX	3981
<b>440 XCR</b>	0941760	440	2	1994-		0.7	BR9ES	5722		BR9EIX	3981
<b>440 XCR</b>	0951660	440	2	1995-		0.7	BR9ES	5722		BR9EIX	3981
<b>440 XCR</b>	0961660	440	2	1996-		0.7	BR9ES	5722		BR9EIX	3981
<b>440 XCR</b>	0971660	440	2	1997-		0.7	BR9ES	5722		BR9EIX	3981
<b>440 XCR</b>	0981660	440	2	1998-		0.7	BR9ES	5722		BR9EIX	3981
<b>440 XCR</b>	099SX4CS	440	2	1999-		0.7	BR9ES	5722		BR9EIX	3981
<b>440 XCR EUROPEAN</b>	E931760	440	2	1993-		0.7	BR9ES	5722		BR9EIX	3981
<b>440 XCR SP</b>	0951660	440	2	1995-		0.7	BR9ES	5722		BR9EIX	3981
<b>440 XCR SP</b>	0941660	440	2	1995-		0.7	BR9ES	5722		BR9EIX	3981
<b>440 XCR SP</b>	0961760	440	2	1996-		0.7	BR9ES	5722		BR9EIX	3981
<b>440 XCR SP</b>	099NX4CS	440	2	1999-		0.6	BR10EG	3830			
<b>440 XCR SWE</b>	S921760	440	2	1992-		0.7	BR9ES	5722		BR9EIX	3981
<b>440 XC SP</b>	00NX4CS]	440	2	2000-2000		0.6	BR10EG	3830			
<b>450 XCF EDGE</b>	00NX4FS	450	2	2000-2000		0.7	BR9ES	5722		BR9EIX	3981
<b>450 XCF SP</b>	099SX4FS	450	2	1999-		0.7	BR9ES	5722		BR9EIX	3981
<b>450 XCF SP EDGE</b>	S01NX4FS	450	2	2001-		0.7	BR9ES	5722		BR9EIX	3981
<b>EC50P</b>		488	2	-		0.5	B7ES	1111		BR7EIX	6664
<b>EC50PL-01</b>		488	2	-		0.6	BR8ES	5422	Q207	BR8EIX	5044
<b>EC50PL-01</b>		488	2	-		0.7	BR9ES	3194		BR9EIX	3981
<b>EC50PL-02</b>		488	2	-		0.6	BR8ES	5422	Q207	BR8EIX	5044
<b>EC50PL-02</b>		488	2	-		0.7	BR9ES	3194		BR9EIX	3981
<b>EC50PL-03</b>		488	2	-		0.7	BR9ES	3194		BR9EIX	3981
<b>EC50PL-04</b>		488	2	-		0.6	BR8ES	5422	Q207	BR8EIX	5044
<b>EC50PL-05</b>		488	2	-		0.6	BR8ES	5422	Q207	BR8EIX	5044
<b>EC50PL-06</b>		488	2	-		0.6	BR8ES	5422	Q207	BR8EIX	5044
<b>EC50PL-16</b>		488	2	-		0.6	BR8ES	5422	Q207	BR8EIX	5044
<b>EC50PL-17</b>		488	2	-		0.6	BR8ES	5422	Q207	BR8EIX	5044
<b>EC50PL-18</b>		488	2	-		0.6	BR8ES	5422	Q207	BR8EIX	5044
<b>EC50PL-19</b>		488	2	-		0.6	BR8ES	5422	Q207	BR8EIX	5044
<b>EC50PL-20</b>		488	2	-		0.6	BR8ES	5422	Q207	BR8EIX	5044
<b>EC50PM-01</b>		488	2	-		0.6	BR8ES	5422	Q207	BR8EIX	5044
<b>EC50PM-02</b>		488	2	-		0.6	BR8ES	5422	Q207	BR8EIX	5044
<b>EC50PM-03</b>		488	2	-		0.6	BR8ES	5422	Q207	BR8EIX	5044
<b>EC50PM-04</b>		488	2	-		0.6	BR8ES	5422	Q207	BR8EIX	5044
<b>EC50PM-05</b>		488	2	-		0.6	BR8ES	5422	Q207	BR8EIX	5044
<b>EC50PM-06</b>		488	2	-		0.6	BR8ES	5422	Q207	BR8EIX	5044
<b>EC5-PM-01</b>		488		-		0.7	BR9ES	3194		BR9EIX	3981
<b>EC5-PM-02</b>		488		-		0.7	BR9ES	3194		BR9EIX	3981
<b>EC5-PM-03</b>		488		-		0.7	BR9ES	3194		BR9EIX	3981
<b>500</b>	0890764	500	2	1989-1989		0.7	BR9ES	5722		BR9EIX	3981
<b>500</b>	0900764	500	2	1990-		0.7	BR9ES	5722		BR9EIX	3981

\*Bitte Elektrodenabstand nach Angaben des Herstellers justieren

\*Please adjust the ground electrode gap

\*Veuillez vérifier l'écartement

\* Por favor, ajustar la distancia entre los electrodos

\*Regolare il gap

\*\* Iridium IX Spark Plug is the standard recommendation





Stock No.

Quick No.

Upgrade ↑

Stock No. ↑

**POLARIS**

<b>500</b>	0910764	500	2	1991-		0.8	BR8ES	5422	Q207	BR8EIX	5044
<b>500</b>	0920764	500	2	1992-		0.8	BR8ES	5422	Q207	BR8EIX	5044
<b>500 CARB</b>	0952764	500	2	1995-		0.8	BR8ES	5422	Q207	BR8EIX	5044
<b>500 CARB</b>	0962764	500	2	1996-		0.8	BR8ES	5422	Q207	BR8EIX	5044
<b>500 CARB RMK</b>	0962964	500	2	1996-		0.8	BR8ES	5422	Q207	BR8EIX	5044
<b>500 CARB SKS</b>	0962564	500	2	1996-		0.8	BR8ES	5422	Q207	BR8EIX	5044
<b>500 CARB SKS EUROPEAN</b>	E962564	500	2	1996-		0.8	BR8ES	5422	Q207	BR8EIX	5044
<b>500 CLASSIC</b>	0890865	500	2	1989-1989		0.7	BR9ES	5722		BR9EIX	3981
<b>500 CLASSIC</b>	0900865	500	2	1990-		0.7	BR9ES	5722		BR9EIX	3981
<b>500 CLASSIC</b>	0910865	500	2	1991-		0.8	BR8ES	5422	Q207	BR8EIX	5044
<b>500 CLASSIC</b>	0920865	500	2	1992-		0.8	BR8ES	5422	Q207	BR8EIX	5044
<b>500 CLASSIC</b>	0930864	500	2	1993-		0.8	BR8ES	5422	Q207	BR8EIX	5044
<b>500 CLASSIC</b>	0942865	500	2	1994-		0.8	BR8ES	5422	Q207	BR8EIX	5044
<b>500 CLASSIC</b>	0952865	500	2	1995-		0.8	BR8ES	5422	Q207	BR8EIX	5044
<b>500 CLASSIC</b>	0963865	500	2	1996-		0.8	BR8ES	5422	Q207	BR8EIX	5044
<b>500 CLASSIC</b>	0973865	500	2	1997-		0.8	BR8ES	5422	Q207	BR8EIX	5044
<b>500 CLASSIC</b>	0983865	500	2	1998-		0.8	BR8ES	5422	Q207	BR8EIX	5044
<b>500 CLASSIC</b>	099ED4BS	500	2	1999-		0.8	BR8ES	5422	Q207	BR8EIX	5044
<b>500 CLASSIC</b>	S00SD4BS	500	2	2000-2000		0.8	BR8ES	5422	Q207	BR8EIX	5044
<b>500 CLASSIC</b>	S01SD4BS	500	2	2001-		0.8	BR8ES	5422	Q207	BR8EIX	5044
<b>500 CLASSIC</b>	S02ND4BS	500	2	2002-		0.8	BR8ES	5422	Q207	BR8EIX	5044
<b>500 CLASSIC</b>	S03ND5CS	500	2	2003-		0.6	BR10EG	3830			
<b>500 CLASSIC</b>	S04ND4BS	500	2	2004-		0.8	BR8ES	5422	Q207	BR8EIX	5044
<b>500 CLASSIC</b>	S05ND4BS	500	2	2005-		0.8	BR8ES	5422	Q207	BR8EIX	5044
<b>500 CLASSIC</b>		500	2	2006-		0.8	BR8ES	5422	Q207	BR8EIX	5044
<b>500 CLASSIC EUROPEAN</b>	E930864	500	2	1993-		0.8	BR8ES	5422	Q207	BR8EIX	5044
<b>500 CLASSIC EUROPEAN</b>	E942865	500	2	1994-		0.8	BR8ES	5422	Q207	BR8EIX	5044
<b>500 CLASSIC FIN</b>	F900865	500	2	1990-		0.7	BR9ES	5722		BR9EIX	3981
<b>500 CLASSIC NOR</b>	N890865	500	2	1989-1989		0.7	BR9ES	5722		BR9EIX	3981
<b>500 CLASSIC NOR</b>	N900865	500	2	1990-		0.7	BR9ES	5722		BR9EIX	3981
<b>500 CLASSIC SWE</b>	S890865	500	2	1989-1989		0.7	BR9ES	5722		BR9EIX	3981
<b>500 CLASSIC SWE</b>	S900865	500	2	1990-		0.7	BR9ES	5722		BR9EIX	3981
<b>500 CLASSIC TOURING</b>	0930865	500	2	1993-		0.8	BR8ES	5422	Q207	BR8EIX	5044
<b>500 CLASSIC TOURING</b>	0942875	500	2	1994-		0.8	BR8ES	5422	Q207	BR8EIX	5044
<b>500 CLASSIC TOURING</b>	0963365	500	2	1996-		0.8	BR8ES	5422	Q207	BR8EIX	5044
<b>500 CLASSIC TOURING</b>	0973365	500	2	1997-		0.8	BR8ES	5422	Q207	BR8EIX	5044
<b>500 CLASSIC TOURING</b>	0983365	500	2	1998-		0.8	BR8ES	5422	Q207	BR8EIX	5044
<b>500 CLASSIC TOURING</b>	099ET4BS	500	2	1999-		0.8	BR8ES	5422	Q207	BR8EIX	5044
<b>500 CLASSIC TOURING</b>	S00ST4BS	500	2	2000-2000		0.8	BR8ES	5422	Q207	BR8EIX	5044
<b>500 CLASSIC TOURING</b>	S01ST4BS	500	2	2001-		0.8	BR8ES	5422	Q207	BR8EIX	5044
<b>500 CLASSIC TOURING</b>	S02ST4BS	500	2	2002-		0.8	BR8ES	5422	Q207	BR8EIX	5044
<b>500 CLASSIC TOURING</b>	S03ST4BS	500	2	2003-		0.8	BR8ES	5422	Q207	BR8EIX	5044
<b>500 CLASSIC TOURING EUROPEAN</b>	E930865	500	2	1993-		0.8	BR8ES	5422	Q207	BR8EIX	5044
<b>500 CLASSIC TOURING EUROPEAN</b>	E942875	500	2	1994-		0.8	BR8ES	5422	Q207	BR8EIX	5044
<b>500 CLASSIC TOURING EUROPEAN</b>	E963365	500	2	1996-		0.8	BR8ES	5422	Q207	BR8EIX	5044

\*Bitte Elektrodenabstand nach Angaben des Herstellers justieren

\*Please adjust the ground electrode gap

\*Veuillez vérifier l'écartement

\* Por favor, ajustar la distancia entre los electrodos

\*Regolare il gap

\* Iridium IX Spark Plug is the standard recommendation







Stock No.

Quick No.

Upgrade ↑

Stock No. ↑

**POLARIS**

<b>500 CLASSIC TOURING EUROPEAN</b>	E973365	500	2	1997-		0.8	BR8ES	5422	Q207	BR8EIX	5044
<b>500 CLASSIC TOURING EUROPEAN</b>	E983365	500	2	1998-		0.8	BR8ES	5422	Q207	BR8EIX	5044
<b>500 EDGE</b>	S04NB4BS	500	2	2003-		0.8	BR8ES	5422	Q207	BR8EIX	5044
<b>500 EDGE</b>	S04NB4BS	500	2	2004-		0.8	BR8ES	5422	Q207	BR8EIX	5044
<b>500 EFI</b>	0930674	500	2	1993-		0.8	BR8ES	5422	Q207	BR8EIX	5044
<b>500 EFI</b>	0942774	500	2	1994-		0.8	BR8ES	5422	Q207	BR8EIX	5044
<b>500 EFI</b>	0952774	500	2	1995-		0.8	BR8ES	5422	Q207	BR8EIX	5044
<b>500 EFI</b>	0963774	500	2	1996-		0.8	BR8ES	5422	Q207	BR8EIX	5044
<b>500 EFI</b>	0973774	500	2	1997-		0.8	BR8ES	5422	Q207	BR8EIX	5044
<b>500 EFI EUROPEAN</b>	E930674	500	2	1993-		0.8	BR8ES	5422	Q207	BR8EIX	5044
<b>500 EFI EUROPEAN</b>	E942774	500	2	1994-		0.8	BR8ES	5422	Q207	BR8EIX	5044
<b>500 EFI EUROPEAN</b>	E963774	500	2	1996-		0.8	BR8ES	5422	Q207	BR8EIX	5044
<b>500 EFI SKS</b>	0930574	500	2	1993-		0.8	BR8ES	5422	Q207	BR8EIX	5044
<b>500 EFI SKS</b>	0942574	500	2	1994-		0.8	BR8ES	5422	Q207	BR8EIX	5044
<b>500 EFI SKS</b>	0952574	500	2	1995-		0.8	BR8ES	5422	Q207	BR8EIX	5044
<b>500 EFI SKS</b>	0962574	500	2	1996-		0.8	BR8ES	5422	Q207	BR8EIX	5044
<b>500 EFI SKS EUROPEAN</b>	E942574	500	2	1994-		0.8	BR8ES	5422	Q207	BR8EIX	5044
<b>500 EFI SKS EUROPEAN</b>	E952574	500	2	1995-		0.8	BR8ES	5422	Q207	BR8EIX	5044
<b>500 EFI SKS EUROPEAN</b>	E962574	500	2	1996-		0.8	BR8ES	5422	Q207	BR8EIX	5044
<b>500 EFI SKS PDL TRK</b>	0952974	500	2	1995-		0.8	BR8ES	5422	Q207	BR8EIX	5044
<b>500 FIN</b>	F900764	500	2	1990-		0.7	BR9ES	5722		BR9EIX	3981
<b>500 INDY</b>	0972764	500	2	1997-		0.8	BR8ES	5422	Q207	BR8EIX	5044
<b>500 INDY</b>	0982764	500	2	1998-		0.8	BR8ES	5422	Q207	BR8EIX	5044
<b>500 INDY</b>	0982764B	500	2	1998-		0.8	BR8ES	5422	Q207	BR8EIX	5044
<b>500 INDY</b>	0982764A	500	2	1998-		0.8	BR8ES	5422	Q207	BR8EIX	5044
<b>500 INDY</b>	099EB4BS	500	2	1999-		0.8	BR8ES	5422	Q207	BR8EIX	5044
<b>500 INDY</b>	99EB4BSA	500	2	1999-		0.8	BR8ES	5422	Q207	BR8EIX	5044
<b>500 INDY</b>	S00SB4BS	500	2	2000-2000		0.8	BR8ES	5422	Q207	BR8EIX	5044
<b>500 INDY</b>	S01NB4BS	500	2	2001-		0.8	BR8ES	5422	Q207	BR8EIX	5044
<b>500 INDY</b>	S02NB4BS	500	2	2002-		0.8	BR8ES	5422	Q207	BR8EIX	5044
<b>500 INDY</b>	S05NB4BS	500	2	2005-		0.8	BR8ES	5422	Q207	BR8EIX	5044
<b>500 INDY</b>		500	2	2006-		0.8	BR8ES	5422	Q207	BR8EIX	5044
<b>500 INDY EUROPEAN</b>	E972764	500	2	1997-		0.8	BR8ES	5422	Q207	BR8EIX	5044
<b>500 INDY EUROPEAN</b>	E982764A	500	2	1998-		0.8	BR8ES	5422	Q207	BR8EIX	5044
<b>500 NOR</b>	N890764	500	2	1989-1989		0.7	BR9ES	5722		BR9EIX	3981
<b>500 RMK</b>	0972564	500	2	1996-		0.8	BR8ES	5422	Q207	BR8EIX	5044
<b>500 RMK</b>	0972964	500	2	1997-		0.8	BR8ES	5422	Q207	BR8EIX	5044
<b>500 RMK</b>	0982964	500	2	1998-		0.8	BR8ES	5422	Q207	BR8EIX	5044
<b>500 RMK</b>	099ER4BS	500	2	1999-		0.8	BR8ES	5422	Q207	BR8EIX	5044
<b>500 RMK</b>	S00SR5AS	500	2	2000-2000		0.7	BR9ES	5722		BR9EIX	3981
<b>500 RMK 136</b>	S01SR5AS	500	2	2001-		0.7	BR9ES	5722		BR9EIX	3981
<b>500 RMK 136</b>	S02SR5AS	500	2	2002-		0.7	BR9ES	5722		BR9EIX	3981
<b>500 RMK EUROPEAN</b>	E972564	500	2	1996-		0.8	BR8ES	5422	Q207	BR8EIX	5044
<b>500 RMK EUROPEAN</b>	E972964	500	2	1997-		0.8	BR8ES	5422	Q207	BR8EIX	5044
<b>500 RMK EUROPEAN</b>	E982964	500	2	1998-		0.8	BR8ES	5422	Q207	BR8EIX	5044
<b>500 SKS</b>	0890564	500	2	1989-1989		0.7	BR9ES	5722		BR9EIX	3981
<b>500 SKS</b>	0900564	500	2	1990-		0.7	BR9ES	5722		BR9EIX	3981
<b>500 SKS</b>	0910564	500	2	1991-		0.8	BR8ES	5422	Q207	BR8EIX	5044
<b>500 SKS</b>	0920574	500	2	1992-		0.8	BR8ES	5422	Q207	BR8EIX	5044
<b>500 SKS</b>	0952574	500	2	1995-		0.8	BR8ES	5422	Q207	BR8EIX	5044

\*Bitte Elektrodenabstand nach Angaben des Herstellers justieren

\*Please adjust the ground electrode gap

\*Veuillez vérifier l'écartement

\* Por favor, ajustar la distancia entre los electrodos

\*Regolare il gap

\*\* Iridium IX Spark Plug is the standard recommendation





Stock No.

Quick No.

Upgrade ↑

Stock No. ↑

**POLARIS**

<b>500 SKS</b>	0972564	500	2	1997-		0.8	BR8ES	5422	Q207	BR8EIX	5044
<b>500 SKS EURO</b>	E00SS5AU	500	2	2000-2000		0.7	BR9ES	5722		BR9EIX	3981
<b>500 SKS EURO</b>	S01SS5AU	500	2	2001-		0.7	BR9ES	5722		BR9EIX	3981
<b>500 SKS EURO</b>	S02SS5AE	500	2	2002-		0.7	BR9ES	5722		BR9EIX	3981
<b>500 SKS EUROPEAN</b>	E930574	500	2	1993-		0.8	BR8ES	5422	Q207	BR8EIX	5044
<b>500 SKS EUROPEAN</b>	E972564	500	2	1997-		0.8	BR8ES	5422	Q207	BR8EIX	5044
<b>500 SKS FIN</b>	F890564	500	2	1989-1989		0.7	BR9ES	5722		BR9EIX	3981
<b>500 SKS FIN</b>	F900564	500	2	1990-		0.7	BR9ES	5722		BR9EIX	3981
<b>500 SKS FINLAND</b>	F920574	500	2	1992-		0.8	BR8ES	5422	Q207	BR8EIX	5044
<b>500 SKS NOR</b>	N890564	500	2	1989-1989		0.7	BR9ES	5722		BR9EIX	3981
<b>500 SKS NOR</b>	N900564	500	2	1990-		0.7	BR9ES	5722		BR9EIX	3981
<b>500 SKS SWE</b>	S890564	500	2	1989-1989		0.7	BR9ES	5722		BR9EIX	3981
<b>500 SKS SWE</b>	S900564	500	2	1990-		0.7	BR9ES	5722		BR9EIX	3981
<b>500 SKS SWE</b>	S910564	500	2	1991-		0.8	BR8ES	5422	Q207	BR8EIX	5044
<b>500 SKS SWE</b>	S920574	500	2	1992-		0.8	BR8ES	5422	Q207	BR8EIX	5044
<b>500 SP</b>	0890664	500	2	1989-1989		0.7	BR9ES	5722		BR9EIX	3981
<b>500 SP</b>	0900664	500	2	1990-		0.7	BR9ES	5722		BR9EIX	3981
<b>500 SP</b>	0910664	500	2	1991-		0.8	BR8ES	5422	Q207	BR8EIX	5044
<b>500 SP</b>	X920674	500	2	1992-		0.8	BR8ES	5422	Q207	BR8EIX	5044
<b>500 SP EFI</b>	0920674	500	2	1992-		0.8	BR8ES	5422	Q207	BR8EIX	5044
<b>500 SP FIN</b>	F900664	500	2	1990-		0.7	BR9ES	5722		BR9EIX	3981
<b>500 SP SWE</b>	S900664	500	2	1990-		0.7	BR9ES	5722		BR9EIX	3981
<b>500 SP SWE</b>	S920674	500	2	1992-		0.8	BR8ES	5422	Q207	BR8EIX	5044
<b>500 SPX</b>	0920674N	500	2	1992-		0.8	BR8ES	5422	Q207	BR8EIX	5044
<b>500 SUPERSPORT</b>	0970761	500	2	1997-		0.8	BR8ES	5422	Q207	BR8EIX	5044
<b>500 SUPERSPORT</b>	0980761	500	2	1998-		0.8	BR8ES	5422	Q207	BR8EIX	5044
<b>500 SUPERTRAK</b>	0920161	500	2	1992-		0.8	BR8ES	5422	Q207	BR8EIX	5044
<b>500 SUPERTRAK SWE</b>	S920161	500	2	1992-		0.8	BR8ES	5422	Q207	BR8EIX	5044
<b>500 SWE</b>	S910764	500	2	1991-		0.8	BR8ES	5422	Q207	BR8EIX	5044
<b>500 TRAIL</b>	0850761	500	2	1985-		0.7	BR9ES	5722		BR9EIX	3981
<b>500 TRAIL</b>	0860761	500	2	1986-1986		0.7	BR9ES	5722		BR9EIX	3981
<b>500 TRAIL</b>	0870761	500	2	1987-		0.7	BR9ES	5722		BR9EIX	3981
<b>500 TRAIL</b>	0880761	500	2	1988-		0.7	BR9ES	5722		BR9EIX	3981
<b>500 TRAIL</b>	0890761	500	2	1989-1989		0.7	BR9ES	5722		BR9EIX	3981
<b>500 TRAIL</b>	0900761	500	2	1990-		0.7	BR9ES	5722		BR9EIX	3981
<b>500 TRAIL</b>	0910761	500	2	1991-		0.8	BR8ES	5422	Q207	BR8EIX	5044
<b>500 TRAIL</b>	0920761	500	2	1992-		0.8	BR8ES	5422	Q207	BR8EIX	5044
<b>500 TRAIL</b>	0930761	500	2	1993-		0.8	BR8ES	5422	Q207	BR8EIX	5044
<b>500 TRAIL</b>	0940761	500	2	1994-		0.8	BR8ES	5422	Q207	BR8EIX	5044
<b>500 TRAIL</b>	0952761	500	2	1995-		0.8	BR8ES	5422	Q207	BR8EIX	5044
<b>500 TRAIL</b>	0962761	500	2	1996-		0.8	BR8ES	5422	Q207	BR8EIX	5044
<b>500 TRAIL</b>	0972761	500	2	1997-		0.8	BR8ES	5422	Q207	BR8EIX	5044
<b>500 TRAIL</b>	0982761	500	2	1998-		0.8	BR8ES	5422	Q207	BR8EIX	5044
<b>500 TRAIL</b>	099EB4ES	500	2	1999-		0.8	BR8ES	5422	Q207	BR8EIX	5044
<b>500 TRAIL</b>	99EB4ESA	500	2	1999-		0.8	BR8ES	5422	Q207	BR8EIX	5044
<b>500 TRAIL DELUXE</b>	0880262	500	2	1988-		0.7	BR9ES	5722		BR9EIX	3981
<b>500 TRAIL DELUXE</b>	0890262	500	2	1989-1989		0.7	BR9ES	5722		BR9EIX	3981
<b>500 TRAIL DELUXE</b>	0900262	500	2	1990-		0.7	BR9ES	5722		BR9EIX	3981
<b>500 TRAIL DELUXE</b>	0910262	500	2	1991-		0.8	BR8ES	5422	Q207	BR8EIX	5044
<b>500 TRAIL DELUXE</b>	0920262	500	2	1992-		0.8	BR8ES	5422	Q207	BR8EIX	5044
<b>500 TRAIL DELUXE</b>	0930262	500	2	1993-		0.8	BR8ES	5422	Q207	BR8EIX	5044
<b>500 TRAIL DELUXE</b>	0940262	500	2	1994-		0.8	BR8ES	5422	Q207	BR8EIX	5044

\*Bitte Elektrodenabstand nach Angaben des Herstellers justieren

\*Please adjust the ground electrode gap

\*Veuillez vérifier l'écartement

\* Por favor, ajustar la distancia entre los electrodos

\*Regolare il gap

\* Iridium IX Spark Plug is the standard recommendation





Stock No.

Quick No.

Upgrade ↑

Stock No. ↑

**POLARIS**

<b>500 TRAIL DELUXE</b>	0950262	500	2	1995-		0.8	BR8ES	5422	Q207	BR8EIX	5044
<b>500 TRAIL DELUXE EUROPEAN</b>	E930262	500	2	1993-		0.8	BR8ES	5422	Q207	BR8EIX	5044
<b>500 TRAIL DELUXE EUROPEAN</b>	E940262	500	2	1994-		0.8	BR8ES	5422	Q207	BR8EIX	5044
<b>500 TRAIL DELUXE EUROPEAN</b>	E950262	500	2	1995-		0.8	BR8ES	5422	Q207	BR8EIX	5044
<b>500 TRAIL DELUXE FIN</b>	F900262	500	2	1990-		0.7	BR9ES	5722		BR9EIX	3981
<b>500 TRAIL DELUXE NOR</b>	N900262	500	2	1990-		0.7	BR9ES	5722		BR9EIX	3981
<b>500 TRAIL DELUXE SWE</b>	S900262	500	2	1990-		0.7	BR9ES	5722		BR9EIX	3981
<b>500 TRAIL DELUXE SWE</b>	S910262	500	2	1991-		0.8	BR8ES	5422	Q207	BR8EIX	5044
<b>500 TRAIL ES</b>	0870762	500	2	1987-		0.7	BR9ES	5722		BR9EIX	3981
<b>500 TRAIL ES</b>	0880762	500	2	1988-		0.7	BR9ES	5722		BR9EIX	3981
<b>500 TRAIL ES</b>	0890762	500	2	1989-1989		0.7	BR9ES	5722		BR9EIX	3981
<b>500 TRAIL EUROPEAN</b>	E930761	500	2	1993-		0.8	BR8ES	5422	Q207	BR8EIX	5044
<b>500 TRAIL EUROPEAN</b>	E952761	500	2	1995-		0.8	BR8ES	5422	Q207	BR8EIX	5044
<b>500 TRAIL EUROPEAN</b>	E972761	500	2	1997-		0.8	BR8ES	5422	Q207	BR8EIX	5044
<b>500 TRAIL FIN</b>	F880761	500	2	1988-		0.7	BR9ES	5722		BR9EIX	3981
<b>500 TRAIL FIN</b>	F900761	500	2	1990-		0.7	BR9ES	5722		BR9EIX	3981
<b>500 TRAIL NOR</b>	N860761	500	2	1986-1986		0.7	BR9ES	5722		BR9EIX	3981
<b>500 TRAIL NOR</b>	N870761	500	2	1987-		0.7	BR9ES	5722		BR9EIX	3981
<b>500 TRAIL NOR</b>	N880761	500	2	1988-		0.7	BR9ES	5722		BR9EIX	3981
<b>500 TRAIL NOR</b>	N890761	500	2	1989-1989		0.7	BR9ES	5722		BR9EIX	3981
<b>500 TRAIL RMK</b>	0980961	500	2	1998-		0.8	BR8ES	5422	Q207	BR8EIX	5044
<b>500 TRAIL SKS</b>	0870561	500	2	1987-		0.7	BR9ES	5722		BR9EIX	3981
<b>500 TRAIL SKS</b>	0880561	500	2	1988-		0.7	BR9ES	5722		BR9EIX	3981
<b>500 TRAIL SKS</b>	0890561	500	2	1989-1989		0.7	BR9ES	5722		BR9EIX	3981
<b>500 TRAIL SKS FIN</b>	F880561	500	2	1988-		0.7	BR9ES	5722		BR9EIX	3981
<b>500 TRAIL SKS NOR</b>	N870561	500	2	1987-		0.7	BR9ES	5722		BR9EIX	3981
<b>500 TRAIL SKS NOR</b>	N880561	500	2	1988-		0.7	BR9ES	5722		BR9EIX	3981
<b>500 TRAIL SKS NOR</b>	N890561	500	2	1989-1989		0.7	BR9ES	5722		BR9EIX	3981
<b>500 TRAIL SKS SWE</b>	S880561	500	2	1988-		0.7	BR9ES	5722		BR9EIX	3981
<b>500 TRAIL SKS SWE</b>	S890561	500	2	1989-1989		0.7	BR9ES	5722		BR9EIX	3981
<b>500 TRAIL SP</b>	0860661	500	2	1986-1986		0.7	BR9ES	5722		BR9EIX	3981
<b>500 TRAIL SP</b>	0880661	500	2	1988-		0.7	BR9ES	5722		BR9EIX	3981
<b>500 TRAIL SP</b>	0890661	500	2	1989-1989		0.7	BR9ES	5722		BR9EIX	3981
<b>500 TRAIL SP NOR</b>	N890661	500	2	1989-1989		0.7	BR9ES	5722		BR9EIX	3981
<b>500 TRAIL SP SWE</b>	S880661	500	2	1988-		0.7	BR9ES	5722		BR9EIX	3981
<b>500 TRAIL SP SWE</b>	S890661	500	2	1989-1989		0.7	BR9ES	5722		BR9EIX	3981
<b>500 TRAIL SUPER-TRAK</b>	0890161	500	2	1989-1989		0.7	BR9ES	5722		BR9EIX	3981
<b>500 TRAIL SUPER-TRAK</b>	0900161	500	2	1990-		0.7	BR9ES	5722		BR9EIX	3981
<b>500 TRAIL SUPER-TRAK</b>	0910161	500	2	1991-		0.8	BR8ES	5422	Q207	BR8EIX	5044
<b>500 TRAIL SUPER-TRAK NOR</b>	N900161	500	2	1990-		0.7	BR9ES	5722		BR9EIX	3981
<b>500 TRAIL SUPER-TRAK SWE</b>	S890161	500	2	1989-1989		0.7	BR9ES	5722		BR9EIX	3981
<b>500 TRAIL SUPER-TRAK SWE</b>	S900161	500	2	1990-		0.7	BR9ES	5722		BR9EIX	3981
<b>500 TRAIL SUPER-TRAK SWE</b>	S910161	500	2	1991-		0.8	BR8ES	5422	Q207	BR8EIX	5044
<b>500 TRAIL SWE</b>	S910761	500	2	1991-		0.8	BR8ES	5422	Q207	BR8EIX	5044
<b>500 TRAIL TOURING</b>	0960262	500	2	1996-		0.8	BR8ES	5422	Q207	BR8EIX	5044
<b>500 TRAIL TOURING</b>	0972262	500	2	1997-		0.8	BR8ES	5422	Q207	BR8EIX	5044

\* Bitte Elektrodenabstand nach Angaben des Herstellers justieren

\* Please adjust the ground electrode gap

\* Veuillez vérifier l'écartement

\* Por favor, ajustar la distancia entre los electrodos

\* Regolare il gap

\*\* Iridium IX Spark Plug is the standard recommendation





Stock No.

Quick No.

Upgrade ↑

Stock No. ↑

**POLARIS**

<b>500 TRAIL TOURING</b>	0982362	500	2	1998-		0.8	BR8ES	5422	Q207	BR8EIX	5044
<b>500 TRAIL TOURING</b>	9ET4ESA	500	2	1999-		0.8	BR8ES	5422	Q207	BR8EIX	5044
<b>500 TRAIL TOURING</b>	99ET4ES	500	2	1999-		0.8	BR8ES	5422	Q207	BR8EIX	5044
<b>500 TRAIL TOURING EUROPEAN</b>	E960262	500	2	1996-		0.8	BR8ES	5422	Q207	BR8EIX	5044
<b>500 TRAIL TOURING EUROPEAN</b>	E972262	500	2	1997-		0.8	BR8ES	5422	Q207	BR8EIX	5044
<b>500 TRAIL TOURING EUROPEAN</b>	E982362	500	2	1998-		0.8	BR8ES	5422	Q207	BR8EIX	5044
<b>500 WIDETRAK</b>	0902064	500	2	1990-		0.7	BR9ES	5722		BR9EIX	3981
<b>500 WIDETRAK</b>	0912064	500	2	1991-		0.8	BR8ES	5422	Q207	BR8EIX	5044
<b>500 WIDETRAK</b>	0922064	500	2	1992-		0.8	BR8ES	5422	Q207	BR8EIX	5044
<b>500 WIDETRAK</b>	0932064	500	2	1993-		0.8	BR8ES	5422	Q207	BR8EIX	5044
<b>500 WIDETRAK EUROPEAN</b>	E932064	500	2	1993-		0.8	BR8ES	5422	Q207	BR8EIX	5044
<b>500 WIDETRAK GT</b>	X932061	500	2	1993-		0.8	BR8ES	5422	Q207	BR8EIX	5044
<b>500 WIDETRAK GT</b>	0942061	500	2	1994-		0.8	BR8ES	5422	Q207	BR8EIX	5044
<b>500 WIDETRAK GT</b>	0952061	500	2	1995-		0.8	BR8ES	5422	Q207	BR8EIX	5044
<b>500 WIDETRAK GT</b>	0962061	500	2	1996-		0.8	BR8ES	5422	Q207	BR8EIX	5044
<b>500 WIDETRAK GT</b>	0972061	500	2	1997-		0.8	BR8ES	5422	Q207	BR8EIX	5044
<b>500 WIDETRAK GT EUROPEAN</b>	E942061	500	2	1994-		0.8	BR8ES	5422	Q207	BR8EIX	5044
<b>500 WIDETRAK GT EUROPEAN</b>	E952061	500	2	1995-		0.8	BR8ES	5422	Q207	BR8EIX	5044
<b>500 WIDETRAK GT EUROPEAN</b>	E972061	500	2	1997-		0.8	BR8ES	5422	Q207	BR8EIX	5044
<b>500 WIDETRAK LX</b>	0942064	500	2	1994-		0.8	BR8ES	5422	Q207	BR8EIX	5044
<b>500 WIDETRAK LX</b>	0952064	500	2	1995-		0.8	BR8ES	5422	Q207	BR8EIX	5044
<b>500 WIDETRAK LX</b>	0962065	500	2	1996-		0.8	BR8ES	5422	Q207	BR8EIX	5044
<b>500 WIDETRAK LX</b>	0972065	500	2	1997-		0.8	BR8ES	5422	Q207	BR8EIX	5044
<b>500 WIDETRAK LX</b>	0982065	500	2	1998-		0.8	BR8ES	5422	Q207	BR8EIX	5044
<b>500 WIDETRAK LX</b>	099SU4BS	500	2	1999-		0.8	BR8ES	5422	Q207	BR8EIX	5044
<b>500 WIDETRAK LX</b>	S00SU4BS	500	2	2000-2000		0.8	BR8ES	5422	Q207	BR8EIX	5044
<b>500 WIDETRAK LX</b>	01SU4BS	500	2	2001-		0.8	BR8ES	5422	Q207	BR8EIX	5044
<b>500 WIDETRAK LX</b>	02SU4BS	500	2	2002-		0.8	BR8ES	5422	Q207	BR8EIX	5044
<b>500 WIDETRAK LX</b>	03SU4BS	500	2	2003-		0.8	BR8ES	5422	Q207	BR8EIX	5044
<b>500 WIDETRAK LX</b>	S04SU4BS	500	2	2004-		0.8	BR8ES	5422	Q207	BR8EIX	5044
<b>500 WIDETRAK LX</b>	S05SU4BS	500	2	2005-		0.8	BR8ES	5422	Q207	BR8EIX	5044
<b>500 WIDETRAK LX</b>		500	2	2006-2007		0.8	BR8ES	5422	Q207	BR8EIX	5044
<b>500 WIDETRAK LX EURO</b>	E01SU4BU	500	2	2000-2000		0.8	BR8ES	5422	Q207	BR8EIX	5044
<b>500 WIDETRAK LX EURO</b>	02SU4BE	500	2	2002-		0.8	BR8ES	5422	Q207	BR8EIX	5044
<b>500 WIDETRAK LX EUROPEAN</b>	E952064	500	2	1995-		0.8	BR8ES	5422	Q207	BR8EIX	5044
<b>500 WIDETRAK LX EUROPEAN</b>	E962065	500	2	1996-		0.8	BR8ES	5422	Q207	BR8EIX	5044
<b>500 WIDETRAK LX EUROPEAN</b>	E972065	500	2	1997-		0.8	BR8ES	5422	Q207	BR8EIX	5044
<b>500 WIDETRAK LX EUROPEAN</b>	E982065	500	2	1998-		0.8	BR8ES	5422	Q207	BR8EIX	5044
<b>500 WIDETRAK NOR</b>	N902064	500	2	1990-		0.7	BR9ES	5722		BR9EIX	3981
<b>500 WIDETRAK SWE</b>	S902064	500	2	1990-		0.7	BR9ES	5722		BR9EIX	3981
<b>500 XC</b>	099SB5AS	500	2	1999-		0.7	BR9ES	5722		BR9EIX	3981
<b>500 XC</b>	S00SB5AS	500	2	2000-2000		0.7	BR9ES	5722		BR9EIX	3981
<b>500 XC</b>	S01NP5AS	500	2	2001-		0.6	BR10EG	3830			
<b>500 XC</b>	S02NP5AS	500	2	2002-		0.6	BR10EG	3830			
<b>500 XC EDGE</b>	S03NP5AS	500	2	2003-		0.6	BR10EG	3830			
<b>500 XC EDGE F/O</b>	S03NP5CS	500	2	2003-		0.6	BR10EG	3830			

\* Bitte Elektrodenabstand nach Angaben des Herstellers justieren

\* Please adjust the ground electrode gap

\* Veuillez vérifier l'écartement

\* Por favor, ajustar la distancia entre los electrodos

\* Regolare il gap

\* Iridium IX Spark Plug is the standard recommendation





Stock No.

Quick No.

Upgrade ↑

Stock No. ↑

**POLARIS**

<b>500 XC SP</b>	099SP5AS	500	2	1999-		0.7	BR9ES	5722		BR9EIX	3981
<b>500 XC SP</b>	S00SP5CS	500	2	2000-2000		0.6	BR10EG	3830			
<b>500 XC SP</b>	01NP5CSA	500	2	2001-		0.6	BR10EG	3830			
<b>500 XC SP</b>	01NP5CSB	500	2	2001-		0.6	BR10EG	3830			
<b>500 XC SP</b>	S01NP5CS	500	2	2001-		0.6	BR10EG	3830			
<b>500 XC SP</b>	02NP5CSB	500	2	2002-		0.6	BR10EG	3830			
<b>500 XC SP</b>	02NP5CSA	500	2	2002-		0.6	BR10EG	3830			
<b>500 XC SP</b>		500	2	2007-		0.6	BR10EG	3830			
<b>500 XC SP EDGE</b>	NP5CSA/ NP5CSB	500	2	2003-		0.6	BR10EG	3830			
<b>500 XC SP EDGE</b>	S04NP5CS	500	2	2004-		0.6	BR10EG	3830			
<b>500 XC SP EDGE</b>	S05NE5CS	500	2	2005-		0.6	BR10EG	3830			
<b>500 XC SP EDGE</b>	STOCK B	500	2	2006-		0.6	BR10EG	3830			
<b>500 XC SP EDGE M-10</b>	S04NP5CS	500	2	2004-		0.6	BR10EG	3830			
<b>500 XC SP EDGE M-10</b>	S05NE5CS	500	2	2005-		0.6	BR10EG	3830			
<b>500 XC SP EDGE M-10 F/O</b>	S03NF5CS	500	2	2003-		0.6	BR10EG	3830			
<b>500 XC SP EDGE M-10 F/O</b>	S03NE5CS	500	2	2003-		0.6	BR10EG	3830			
<b>500 XC SP EDGE X F/O</b>	S03NA5CS	500	2	2003-		0.6	BR10EG	3830			
<b>500 XC SP F/O</b>	S02NP5CS	500	2	2002-		0.6	BR10EG	3830			
<b>500 XC SP M-10 F/O</b>	S02NE5CS	500	2	2002-		0.6	BR10EG	3830			
<b>EC51PL</b>		500	3	-		0.7	BR9ES	3194		BR9EIX	3981
<b>EC51PL-01</b>		500	3	-		0.5	BR9ES	3194		BR9EIX	3981
<b>EC51PL-02</b>		500	3	-		0.5	BR9ES	5722		BR9EIX	3981
<b>EC51PS</b>		500	3	1972-		0.5	B10ES	7928		BR10EIX	6801
<b>EC51PT</b>		500	3	1974-		0.5	B9ES	2611	Q202	BR9EIX	3981
<b>EC51PT-04</b>		500	3	-		0.5	B8ES	2411	Q201	BR8EIX	5044
<b>EC54P</b>		530	2	1972-		0.5	B8ES	2411	Q201	BR8EIX	5044
<b>EC54P</b>		530	2	1972-		0.7	BR8ES	3961		BR8EIX	5044
<b>EC54PM</b>		530	2	1973-		0.5	B8ES	2411	Q201	BR8EIX	5044
<b>EC54PM</b>		530	2	1973-		0.7	BR8ES	3961		BR8EIX	5044
<b>EC60PL-01</b>		530		-		0.5	BR9ES	5722		BR9EIX	3981
<b>EC60PL-02</b>		530		-		0.6	BR9ES	5722		BR9EIX	3981
<b>550 CLASSIC</b>	S05ND5BS	550	2	2005-		0.7	BR9ES	5722		BR9EIX	3981
<b>550 CLASSIC</b>		550	2	2006-		0.7	BR9ES	5722		BR9EIX	3981
<b>550 CLASSIC EDGE</b>	S03ND5BS	550	2	2003-		0.7	BR9ES	5722		BR9EIX	3981
<b>550 CLASSIC EDGE</b>	S04ND5BS	550	2	2004-		0.7	BR9ES	5722		BR9EIX	3981
<b>550 EDGE LX</b>		550	2	2007-		0.7	BR9ES	5722		BR9EIX	3981
<b>550 ES</b>		550	2	2014-		0.7	BR9ES	5722		BR9EIX	3981
<b>550 F/C CLASSIC</b>	S02ND5BS	550	2	2002-		0.7	BR9ES	5722		BR9EIX	3981
<b>550 INDY</b>		550	2	2014-		0.7	BR9ES	5722		BR9EIX	3981
<b>550 INDY 144</b>		550	2	2014-		0.7	BR9ES	5722		BR9EIX	3981
<b>550 INDY ADVENTURE</b>		550	2	2014-		0.7	BR9ES	5722		BR9EIX	3981
<b>550 INDY LXT</b>		550	2	2014-		0.7	BR9ES	5722		BR9EIX	3981
<b>550 INDY VOYAGER</b>		550	2	2014-		0.7	BR9ES	5722		BR9EIX	3981
<b>550 INTL</b>		550	2	2014-		0.7	BR9ES	5722		BR9EIX	3981
<b>550 IQ LXT</b>		550	2	2011-2013		0.7	BR9ES	5722		BR9EIX	3981
<b>550 IQ LXT INTL</b>		550	2	2011-2013		0.7	BR9ES	5722		BR9EIX	3981
<b>550 IQ SHIFT</b>		550	2	2009-		0.7	BR9ES	5722		BR9EIX	3981
<b>550 IQ SHIFT</b>		550	2	2010-2013		0.7	BR9ES	5722		BR9EIX	3981
<b>550 IQ SHIFT ES</b>		550	2	2010-2013		0.7	BR9ES	5722		BR9EIX	3981
<b>550 IQ SHIFT EURO</b>		550	2	2009-		0.7	BR9ES	5722		BR9EIX	3981
<b>550 IQ SHIFT INTL</b>		550	2	2010-2013		0.7	BR9ES	5722		BR9EIX	3981

\*Bitte Elektrodenabstand nach Angaben des Herstellers justieren

\*Please adjust the ground electrode gap

\*Veuillez vérifier l'écartement

\* Por favor, ajustar la distancia entre los electrodos

\*Regolare il gap

\*\* Iridium IX Spark Plug is the standard recommendation





Stock No.

Quick No.

Upgrade ↑

Stock No. ↑

**POLARIS**

<b>550 LX</b>		550	2	2008-		0.7	BR9ES	5722		BR9EIX	3981
<b>550 SHIFT 136</b>		550	2	2011-2013		0.7	BR9ES	5722		BR9EIX	3981
<b>550 SHIFT 136 CND ES</b>		550	2	2011-2013		0.7	BR9ES	5722		BR9EIX	3981
<b>550 SHIFT 136 CND ES INTL</b>		550	2	2011-2013		0.7	BR9ES	5722		BR9EIX	3981
<b>550 SHIFT 136 ES</b>		550	2	2011-2013		0.7	BR9ES	5722		BR9EIX	3981
<b>SPORT TOURING</b>	S00SD5BS	550	2	2000-2000		0.7	BR9ES	5722		BR9EIX	3981
<b>SPORT TOURING</b>	S01SD5BS	550	2	2001-		0.7	BR9ES	5722		BR9EIX	3981
<b>SPORT TOURING</b>	S02SU5BS	550	2	2002-		0.7	BR9ES	5722		BR9EIX	3981
<b>SPORT TOURING</b>	03SU5BSA	550	2	2003-		0.7	BR9ES	5722		BR9EIX	3981
<b>SPORT TOURING</b>	S03SU5BS	550	2	2003-		0.7	BR9ES	5722		BR9EIX	3981
<b>SPORT TOURING</b>	NU5BS/NU5BE	550	2	2004-		0.7	BR9ES	5722		BR9EIX	3981
<b>SPORT TOURING ES</b>	S01ST5BS	550	2	2001-		0.7	BR9ES	5722		BR9EIX	3981
<b>SPORT TOURING ES EURO</b>	S02SD5BE	550	2	2002-		0.7	BR9ES	5722		BR9EIX	3981
<b>SPORT TOURING EURO</b>	E00SD5BU	550	2	2000-2000		0.7	BR9ES	5722		BR9EIX	3981
<b>SPORT TOURING EURO</b>	S01SD5BU	550	2	2001-		0.7	BR9ES	5722		BR9EIX	3981
<b>SPORT TOURING INTL</b>	NU5BS/NU5BE	550	2	2004-		0.7	BR9ES	5722		BR9EIX	3981
<b>SUPERSPORT</b>	099SB5BS	550	2	1999-		0.8	BR8ES	5422	Q207	BR8EIX	5044
<b>SUPERSPORT</b>	S00SB5BSA	550	2	2000-2000		0.7	BR9ES	5722		BR9EIX	3981
<b>SUPERSPORT</b>	S00SB5BS	550	2	2000-2000		0.7	BR9ES	5722		BR9EIX	3981
<b>SUPERSPORT</b>	S02NB5BS	550	2	2002-		0.7	BR9ES	5722		BR9EIX	3981
<b>SUPERSPORT</b>	S05NP5BS	550	2	2005-		0.7	BR9ES	5722		BR9EIX	3981
<b>SUPERSPORT</b>		550	2	2006-		0.7	BR9ES	5722		BR9EIX	3981
<b>SUPERSPORT</b>		550	2	2007-2008		0.7	BR9ES	5722		BR9EIX	3981
<b>SUPERSPORT EDGE</b>	S01NB5BS	550	2	2001-		0.7	BR9ES	5722		BR9EIX	3981
<b>SUPERSPORT EDGE</b>	S01NB5BSA	550	2	2001-		0.7	BR9ES	5722		BR9EIX	3981
<b>SUPERSPORT EDGE</b>	S03NB5BS/ S03NB5BSA	550	2	2003-		0.7	BR9ES	5722		BR9EIX	3981
<b>SUPERSPORT EDGE</b>		550	2	2004-		0.7	BR9ES	5722		BR9EIX	3981
<b>SUPERSPORT EDGE X F/O</b>		550	2	2003-		0.7	BR9ES	5722		BR9EIX	3981
<b>SUPERSPORT EURO</b>		550	2	2007-2008		0.7	BR9ES	5722		BR9EIX	3981
<b>SUPERSPORT M-10 F/O</b>	S03NE5BS	550	2	2003-		0.7	BR9ES	5722		BR9EIX	3981
<b>SUPERSPORT M-10 X F/O</b>	S03NF5BS	550	2	2003-		0.7	BR9ES	5722		BR9EIX	3981
<b>TRAIL ES</b>		550	2	2009-		0.7	BR9ES	5722		BR9EIX	3981
<b>TRAIL ES</b>		550	2	2010-		0.7	BR9ES	5722		BR9EIX	3981
<b>TRAIL EURO</b>		550	2	2008-		0.7	BR9ES	5722		BR9EIX	3981
<b>TRAIL EURO</b>		550	2	2009-		0.7	BR9ES	5722		BR9EIX	3981
<b>TRAIL FLEET</b>		550	2	2008-		0.7	BR9ES	5722		BR9EIX	3981
<b>TRAIL FLEET</b>		550	2	2009-		0.7	BR9ES	5722		BR9EIX	3981
<b>TRAIL RMK</b>	099SR5BS	550	2	1999-		0.8	BR8ES	5422	Q207	BR8EIX	5044
<b>TRAIL RMK</b>	S00SR5BS	550	2	2000-2000		0.7	BR9ES	5722		BR9EIX	3981
<b>TRAIL RMK</b>	S01SR5BS	550	2	2001-		0.7	BR9ES	5722		BR9EIX	3981
<b>TRAIL RMK</b>	S03SR5BS	550	2	2003-		0.7	BR9ES	5722		BR9EIX	3981
<b>TRAIL RMK</b>	S04NJ5BS/ S04NJ5BSA	550	2	2004-		0.7	BR9ES	5722		BR9EIX	3981
<b>TRAIL RMK</b>		550	2	2007-		0.7	BR9ES	5722		BR9EIX	3981
<b>TRAIL RMK</b>		550	2	2008-		0.7	BR9ES	5722		BR9EIX	3981
<b>TRAIL RMK</b>		550	2	2009-		0.7	BR9ES	5722		BR9EIX	3981
<b>TRAIL RMK</b>		550	2	2010-		0.7	BR9ES	5722		BR9EIX	3981
<b>TRAIL RMK 136</b>	S02SR5BS	550	2	2002-		0.7	BR9ES	5722		BR9EIX	3981
<b>TRAIL RMK 136 F/O</b>	S05NJ5BS/ S05NJ5BSA	550	2	2005-		0.7	BR9ES	5722		BR9EIX	3981

\*Bitte Elektrodenabstand nach Angaben des Herstellers justieren

\*Please adjust the ground electrode gap

\*Veuillez vérifier l'écartement

\* Por favor, ajustar la distancia entre los electrodos

\*Regolare il gap

\* Iridium IX Spark Plug is the standard recommendation





Stock No.

Quick No.

Upgrade ↑

Stock No. ↑

**POLARIS**

<b>TRAIL RMK 136 STOCK</b>		550	2	2006-		0.7	BR9ES	5722		BR9EIX	3981
<b>TRAIL SKS EURO</b>	099SS5BU	550	2	1999-		0.8	BR8ES	5422	Q207	BR8EIX	5044
<b>TRAIL SKS EURO</b>	E99SS5BU	550	2	1999-		0.8	BR8ES	5422	Q207	BR8EIX	5044
<b>TRAIL TOURING</b>	S00ST5BS	550	2	2000-2000		0.7	BR9ES	5722		BR9EIX	3981
<b>TRAIL TOURING</b>	S02ST5BS	550	2	2002-		0.7	BR9ES	5722		BR9EIX	3981
<b>TRAIL TOURING</b>	S03ST5BS	550	2	2003-		0.7	BR9ES	5722		BR9EIX	3981
<b>TRAIL TOURING</b>	S04NT5BS/ S04NT5BSE	550	2	2004-		0.7	BR9ES	5722		BR9EIX	3981
<b>TRAIL TOURING</b>	S05NU5BS	550	2	2005-		0.7	BR9ES	5722		BR9EIX	3981
<b>TRAIL TOURING</b>		550	2	2006-		0.7	BR9ES	5722		BR9EIX	3981
<b>TRAIL TOURING</b>		550	2	2008-		0.7	BR9ES	5722		BR9EIX	3981
<b>TRAIL TOURING</b>		550	2	2009-		0.7	BR9ES	5722		BR9EIX	3981
<b>TRAIL TOURING</b>		550	2	2010-		0.7	BR9ES	5722		BR9EIX	3981
<b>TRAIL TOURING DELUXE</b>		550	2	2007-		0.7	BR9ES	5722		BR9EIX	3981
<b>TRAIL TOURING EURO</b>	S05NU5BS	550	2	2005-		0.7	BR9ES	5722		BR9EIX	3981
<b>TRAIL TOURING FLEET</b>		550	2	2010-		0.7	BR9ES	5722		BR9EIX	3981
<b>TRAIL TOURING INT'L</b>	S04NT5BS/ S04NT5BSE	550	2	2004-		0.7	BR9ES	5722		BR9EIX	3981
<b>TRAIL TOURING INTL</b>		550	2	2010-		0.7	BR9ES	5722		BR9EIX	3981
<b>TRAIL TRANSPORT</b>		550	2	2009-		0.7	BR9ES	5722		BR9EIX	3981
<b>EC58PL-02</b>		597	3	-		0.7	BR8ES	5422	Q207	BR8EIX	5044
<b>EC58PL-03</b>		597	3	-		0.7	BR8ES	5422	Q207	BR8EIX	5044
<b>EC58PL-07</b>		597	3	-		0.7	BR8ES	5422	Q207	BR8EIX	5044
<b>EC58PL-08</b>		597	3	-		0.7	BR9ES	5722		BR9EIX	3981
<b>EC58PL-09</b>		597	3	-		0.7	BR9ES	5722		BR9EIX	3981
<b>EC58PL-12</b>		597	3	-		0.7	BR9ES	5722		BR9EIX	3981
<b>EC59PL-01</b>		597	3	-		0.7	BR9ES	5722		BR9EIX	3981
<b>600</b>		600	2	2008-		0.6	BR10EG	3830			
<b>600 ALL OPTIONS</b>		600	2	2008-		0.6	BR10EG	3830			
<b>600 CLASSIC</b>	S02ND6ES	600	2	2002-		0.6	BR10EG	3830			
<b>600 CLASSIC</b>	S03ND6ES	600	2	2003-		0.6	BR10EG	3830			
<b>600 CLASSIC</b>	S04ND6ES	600	2	2004-		0.6	BR10EG	3830			
<b>600 CLASSIC</b>	S05ND6ES	600	2	2005-		0.6	BR10EG	3830			
<b>600 CLASSIC</b>		600	2	2006-		0.6	BR10EG	3830			
<b>600 CLASSIC EDGE</b>	S01ND6DS	600	2	2001-		0.6	BR10EG	3830			
<b>600 CLASSIC TOUR-ING</b>	S01ST6ES	600	2	2001-		0.6	BR10EG	3830			
<b>600 CLASSIC TOUR-ING</b>	S02ST6ESA	600	2	2002-		0.6	BR10EG	3830			
<b>600 CLASSIC TOUR-ING</b>	S02ST6ES	600	2	2002-		0.6	BR10EG	3830			
<b>600 CLASSIC TOUR-ING</b>	S02T6ES/ S02T6ESA	600	2	2003-		0.6	BR10EG	3830			
<b>600 CLASSIC TOUR-ING INTL</b>	S04NT6ES/ S04NT6EE	600	2	2004-		0.6	BR10EG	3830			
<b>600 CLEANFIRE SWITCHBACK</b>		600	2	2007-		0.6	BR10EG	3830			
<b>600 DRAGON</b>		600	2	2009-		0.6	BR10EG	3830			
<b>600 DRAGON ES EURO</b>		600	2	2009-		0.6	BR10EG	3830			
<b>600 DRAGON SP</b>		600	2	2009-		0.6	BR10EG	3830			
<b>600 DRAGON SWITCH-BACK</b>		600	2	2008-		0.6	BR10EG	3830			
<b>600 DRAGON SWITCH-BACK ALL OPTIONS</b>		600	2	2010-		0.6	BR10EG	3830			
<b>600 DRAGON SWITCH-BACK ALL OPTIONS</b>		600	2	2008-		0.6	BR10EG	3830			

\*Bitte Elektrodenabstand nach Angaben des Herstellers justieren

\*Please adjust the ground electrode gap

\*Veuillez vérifier l'écartement

\* Por favor, ajustar la distancia entre los electrodos

\*Regolare il gap

\*\* Iridium IX Spark Plug is the standard recommendation





Stock No.

Quick No.

Upgrade ↑

Stock No. ↑

**POLARIS**

600 EDGE TOURING		600	2	2005-		0.6	BR10EG	3830			
600 EDGE TOURING		600	2	2006-		0.6	BR10EG	3830			
600 EURO		600	2	2008-		0.6	BR10EG	3830			
600 EURO		600	2	2009-		0.6	BR10EG	3830			
600 HO FUSION F/O		600	2	2006-		0.6	BR10EG	3830			
600 HO IQ		600	2	2007-		0.6	BR10EG	3830			
600 HO IQ F/O		600	2	2007-		0.6	BR10EG	3830			
600 HO IQ LX CLEAN-FIRE		600	2	2007-		0.6	BR10EG	3830			
600 HO IQ TOURING CLEANFIRE		600	2	2007-		0.6	BR10EG	3830			
600 HO IQ TOURING CLEANFIRE EURO		600	2	2007-		0.6	BR10EG	3830			
600 HO RMK 144 F/O		600	2	2006-		0.6	BR10EG	3830			
600 HO SWITCHBACK F/O		600	2	2006-2007		0.6	BR10EG	3830			
600 INDY	INDY	600	2	2013-		0.7	BPR9ES	7788		BPR9EIX	6853
600 INDY	INDY	600	2	2014-		0.7	BPR9ES	7788		BPR9EIX	6853
600 INDY ALL OPTIONS	INDY	600	2	2013-		0.7	BPR9ES	7788		BPR9EIX	6853
600 INDY ALL OPTIONS	INDY	600	2	2014-		0.7	BPR9ES	7788		BPR9EIX	6853
600 INDY ES	INDY	600	2	2013-		0.7	BPR9ES	7788		BPR9EIX	6853
600 INDY ES	INDY	600	2	2014-		0.7	BPR9ES	7788		BPR9EIX	6853
600 INDY INTL	INDY	600	2	2013-		0.7	BPR9ES	7788		BPR9EIX	6853
600 INDY INTL	INDY	600	2	2014-		0.7	BPR9ES	7788		BPR9EIX	6853
600 INDY SP	INDY	600	2	2013-		0.7	BPR9ES	7788		BPR9EIX	6853
600 INDY SP	INDY	600	2	2014-		0.7	BPR9ES	7788		BPR9EIX	6853
600 INDY VOYAGER	INDY	600	2	2014-		0.7	BPR9ES	7788		BPR9EIX	6853
600 INDY VOYAGER INTL	INDY	600	2	2014-		0.7	BPR9ES	7788		BPR9EIX	6853
600 IQ		600	2	2009-		0.6	BR10EG	3830			
600 IQ ES		600	2	2009-		0.6	BR10EG	3830			
600 IQ ES EURO		600	2	2009-		0.6	BR10EG	3830			
600 IQ LX		600	2	2008-		0.6	BR10EG	3830			
600 IQ LXT		600	2	2011-2014		0.6	BR10EG	3830			
600 IQ LXT INTL		600	2	2011-2014		0.6	BR10EG	3830			
600 IQ RACER		600	2	2008-2009		0.6	BR10EG	3830			
600 IQ RACER		600	2	2010-		0.6	BR10EG	3830			
600 IQ RACER		600	2	2011-2014		0.6	BR10EG	3830			
600 IQ RACER EURO		600	2	2008-2009		0.6	BR10EG	3830			
600 IQ RACER INTL		600	2	2011-2014		0.6	BR10EG	3830			
600 IQ SHIFT		600	2	2008-2009		0.6	BR10EG	3830			
600 IQ SHIFT		600	2	2010-2012		0.6	BR10EG	3830			
600 IQ SHIFT 136		600	2	2009-		0.7	BPR9ES	7788		BPR9EIX	6853
600 IQ SHIFT 136 EURO		600	2	2009-		0.7	BPR9ES	7788		BPR9EIX	6853
600 IQ SHIFT ES		600	2	2010-2012		0.6	BR10EG	3830			
600 IQ SHIFT EURO		600	2	2008-2009		0.6	BR10EG	3830			
600 IQ SHIFT INTL		600	2	2010-2012		0.6	BR10EG	3830			
600 IQ TOURING		600	2	2008-		0.6	BR10EG	3830			
600 IQ TOURING		600	2	2009-		0.6	BR10EG	3830			
600 IQ TOURING		600	2	2010-		0.6	BR10EG	3830			
600 IQ TOURING EURO		600	2	2008-		0.6	BR10EG	3830			
600 IQ TOURING EURO		600	2	2009-		0.6	BR10EG	3830			
600 IQ TOURING INTL		600	2	2010-		0.6	BR10EG	3830			

\* Bitte Elektrodenabstand nach Angaben des Herstellers justieren

\* Please adjust the ground electrode gap

\* Veuillez vérifier l'écartement

\* Por favor, ajustar la distancia entre los electrodos

\* Regolare il gap

\* Iridium IX Spark Plug is the standard recommendation







Stock No.

Quick No.

Upgrade ↑

Stock No. ↑

**POLARIS**

<b>600 Pro RMK 155</b>		600	2	2012-		0.7	BPR9ES	7788		BPR9EIX	6853
<b>600 Pro RMK 155</b>		600	2	2013-2014		0.7	BPR9ES	7788		BPR9EIX	6853
<b>600 PRO X</b>	S01NX6ES	600	2	2001-		0.6	BR10EG	3830			
<b>600 PRO X</b>	S02NX6ES	600	2	2002-		0.6	BR10EG	3830			
<b>600 PRO X</b>	S03NX6ES	600	2	2003-		0.6	BR10EG	3830			
<b>600 PRO X</b>	S04NX6ES	600	2	2004-		0.6	BR10EG	3830			
<b>600 PRO X2</b>	S04NX6ES	600	2	2004-		0.6	BR10EG	3830			
<b>600 RMK</b>		600	2	1998-		0.7	BR9ES	5722		BR9EIX	3981
<b>600 RMK</b>		600	2	1999-		0.7	BR9ES	5722		BR9EIX	3981
<b>600 RMK</b>		600	2	2000-2000		0.6	BR10EG	3830			
<b>600 RMK</b>		600	2	2010-2011		0.6	BR10EG	3830			
<b>600 RMK 136</b>		600	2	2001-		0.6	BR10EG	3830			
<b>600 RMK 136</b>		600	2	2002-		0.6	BR10EG	3830			
<b>600 RMK 144</b>		600	2	2003-		0.6	BR10EG	3830			
<b>600 RMK 144</b>		600	2	2007-		0.6	BR10EG	3830			
<b>600 RMK 144</b>		600	2	2008-		0.6	BR10EG	3830			
<b>600 RMK 144</b>		600	2	2010-2011		0.6	BR10EG	3830			
<b>600 RMK 144</b>		600	2	2012-		0.7	BPR9ES	7788		BPR9EIX	6853
<b>600 RMK 144</b>		600	2	2013-		0.7	BPR9ES	7788		BPR9EIX	6853
<b>600 RMK 144</b>		600	2	2014-		0.7	BPR9ES	7788		BPR9EIX	6853
<b>600 RMK 144 ES</b>		600	2	2012-		0.7	BPR9ES	7788		BPR9EIX	6853
<b>600 RMK 144 EURO</b>		600	2	2008-		0.6	BR10EG	3830			
<b>600 RMK 144 INTL</b>		600	2	2012-		0.7	BPR9ES	7788		BPR9EIX	6853
<b>600 RMK 155</b>		600	2	2007-		0.6	BR10EG	3830			
<b>600 RMK 155</b>		600	2	2008-		0.6	BR10EG	3830			
<b>600 RMK 155</b>		600	2	2010-2011		0.6	BR10EG	3830			
<b>600 RMK 155</b>		600	2	2012-		0.7	BPR9ES	7788		BPR9EIX	6853
<b>600 RMK 155</b>		600	2	2013-		0.7	BPR9ES	7788		BPR9EIX	6853
<b>600 RMK 155</b>		600	2	2014-		0.7	BPR9ES	7788		BPR9EIX	6853
<b>600 RMK 155 ALL OPTIONS</b>		600	2	2012-		0.7	BPR9ES	7788		BPR9EIX	6853
<b>600 RMK 155 ES</b>		600	2	2012-		0.7	BPR9ES	7788		BPR9EIX	6853
<b>600 RMK ALL OPTIONS</b>		600	2	2013-		0.7	BPR9ES	7788		BPR9EIX	6853
<b>600 RMK ES</b>		600	2	2010-2011		0.6	BR10EG	3830			
<b>600 RMK EUROPEAN</b>	E980958	600	2	1998-		0.7	BR9ES	5722		BR9EIX	3981
<b>600 RMK F/O</b>	S04NK6ES	600	2	2004-		0.6	BR10EG	3830			
<b>600 RMK F/O</b>	S05NK6ES	600	2	2005-		0.6	BR10EG	3830			
<b>600 RMK INTL</b>		600	2	2010-2011		0.6	BR10EG	3830			
<b>600 RMK SHIFT</b>		600	2	2008-		0.6	BR10EG	3830			
<b>600 RMK SHIFT 144</b>	RMK	600	2	2009-		0.7	BPR9ES	7788		BPR9EIX	6853
<b>600 RMK SHIFT 155</b>	RMK	600	2	2009-		0.7	BPR9ES	7788		BPR9EIX	6853
<b>600 RMK SHIFT EURO</b>		600	2	2008-		0.6	BR10EG	3830			
<b>600 RMK SHIFT EURO</b>	RMK	600	2	2009-		0.7	BPR9ES	7788		BPR9EIX	6853
<b>600 RR</b>		600	2	2008-2009		0.6	BR10EG	3830			
<b>600 RR EURO</b>		600	2	2008-2009		0.6	BR10EG	3830			
<b>600 RUSH</b>		600	2	2011-		0.7	BPR9ES	7788		BPR9EIX	6853
<b>600 Rush</b>		600	2	2012-		0.7	BPR9ES	7788		BPR9EIX	6853
<b>600 Rush</b>		600	2	2013-		0.7	BPR9ES	7788		BPR9EIX	6853
<b>600 RUSH ALL OPTIONS</b>		600	2	2011-		0.7	BPR9ES	7788		BPR9EIX	6853
<b>600 RUSH ES</b>		600	2	2011-		0.7	BPR9ES	7788		BPR9EIX	6853
<b>600 Rush ES</b>		600	2	2012-		0.7	BPR9ES	7788		BPR9EIX	6853
<b>600 Rush ES</b>		600	2	2013-		0.7	BPR9ES	7788		BPR9EIX	6853

\*Bitte Elektrodenabstand nach Angaben des Herstellers justieren

\*Please adjust the ground electrode gap

\*Veuillez vérifier l'écartement

\* Por favor, ajustar la distancia entre los electrodos

\*Regolare il gap

\*\* Iridium IX Spark Plug is the standard recommendation





Stock No.

Quick No.

Upgrade ↑

Stock No. ↑

**POLARIS**

600 RUSH LX		600	2	2011-		0.7	BPR9ES	7788		BPR9EIX	6853
600 RUSH LX RETRO		600	2	2011-		0.7	BPR9ES	7788		BPR9EIX	6853
600 Rush Pro R		600	2	2013-		0.7	BPR9ES	7788		BPR9EIX	6853
600 Rush Pro R		600	2	2014-		0.7	BPR9ES	7788		BPR9EIX	6853
600 RUSH PRO-R		600	2	2011-		0.7	BPR9ES	7788		BPR9EIX	6853
600 RUSH PRO-R		600	2	2012-		0.7	BPR9ES	7788		BPR9EIX	6853
600 RUSH PRO-R ALL OPTIONS		600	2	2011-		0.7	BPR9ES	7788		BPR9EIX	6853
600 RUSH PRO-R ALL OPTIONS		600	2	2012-		0.7	BPR9ES	7788		BPR9EIX	6853
600 Rush Pro R ES		600	2	2013-		0.7	BPR9ES	7788		BPR9EIX	6853
600 Rush Pro R ES		600	2	2014-		0.7	BPR9ES	7788		BPR9EIX	6853
600 RUSH PRO-R ES		600	2	2011-		0.7	BPR9ES	7788		BPR9EIX	6853
600 RUSH PRO-R ES		600	2	2012-		0.7	BPR9ES	7788		BPR9EIX	6853
600 Rush Pro R INTL		600	2	2013-		0.7	BPR9ES	7788		BPR9EIX	6853
600 Rush Pro R INTL		600	2	2014-		0.7	BPR9ES	7788		BPR9EIX	6853
600 RUSH PRO-R INTL		600	2	2012-		0.7	BPR9ES	7788		BPR9EIX	6853
600 Rush Pro R Retro		600	2	2013-		0.7	BPR9ES	7788		BPR9EIX	6853
600 RUSH PRO-R RETRO		600	2	2011-		0.7	BPR9ES	7788		BPR9EIX	6853
600 RUSH PRO-R SC		600	2	2012-		0.7	BPR9ES	7788		BPR9EIX	6853
600 RUSH PRO-R SP		600	2	2012-		0.7	BPR9ES	7788		BPR9EIX	6853
600 RUSH RETRO ES		600	2	2011-		0.7	BPR9ES	7788		BPR9EIX	6853
600 SHIFT 136		600	2	2011-		0.6	BR10EG	3830			
600 SHIFT 136 ES		600	2	2011-		0.6	BR10EG	3830			
600 SHIFT 136 INTL		600	2	2011-		0.6	BR10EG	3830			
600 SKS EUROPEAN	E99SS6DU	600	2	1999-		0.7	BR9ES	5722		BR9EIX	3981
600 SWITCHBACK	S04NS6ES	600	2	2004-		0.6	BR10EG	3830			
600 SWITCHBACK		600	2	2008-		0.6	BR10EG	3830			
600 SWITCHBACK		600	2	2009-		0.6	BR10EG	3830			
600 SWITCHBACK		600	2	2010-		0.6	BR10EG	3830			
600 SWITCHBACK		600	2	2011-		0.6	BR10EG	3830			
600 SWITCHBACK		600	2	2012-		0.7	BPR9ES	7788		BPR9EIX	6853
600 SWITCHBACK		600	2	2013-		0.7	BPR9ES	7788		BPR9EIX	6853
600 SWITCHBACK		600	2	2014-		0.7	BPR9ES	7788		BPR9EIX	6853
600 SWITCHBACK ADVENTURE		600	2	2012-		0.7	BPR9ES	7788		BPR9EIX	6853
600 SWITCHBACK ASSAULT ALL OPTIONS		600	2	2014-		0.7	BPR9ES	7788		BPR9EIX	6853
600 SWITCHBACK ES		600	2	2010-		0.6	BR10EG	3830			
600 SWITCHBACK ES		600	2	2011-		0.6	BR10EG	3830			
600 SWITCHBACK ES		600	2	2012-		0.7	BPR9ES	7788		BPR9EIX	6853
600 SWITCHBACK ES		600	2	2013-		0.7	BPR9ES	7788		BPR9EIX	6853
600 SWITCHBACK ES		600	2	2014-		0.7	BPR9ES	7788		BPR9EIX	6853
600 SWITCHBACK F/O	S05NS6ES	600	2	2005-		0.6	BR10EG	3830			
600 SWITCHBACK INTL		600	2	2010-		0.6	BR10EG	3830			
600 SWITCHBACK INTL ALL OPTIONS		600	2	2010-		0.6	BR10EG	3830			
600 SWITCHBACK LX		600	2	2010-		0.6	BR10EG	3830			
600 SWITCHBACK PRO R		600	2	2013-		0.7	BPR9ES	7788		BPR9EIX	6853
600 SWITCHBACK PRO R		600	2	2014-		0.7	BPR9ES	7788		BPR9EIX	6853
600 SWITCHBACK PRO-R		600	2	2012-		0.7	BPR9ES	7788		BPR9EIX	6853
600 SWITCHBACK PRO R ES		600	2	2013-		0.7	BPR9ES	7788		BPR9EIX	6853

\* Bitte Elektrodenabstand nach Angaben des Herstellers justieren

\* Please adjust the ground electrode gap

\* Veuillez vérifier l'écartement

\* Por favor, ajustar la distancia entre los electrodos

\* Regolare il gap

\* Iridium IX Spark Plug is the standard recommendation





Stock No.

Quick No.

Upgrade ↑

Stock No. ↑

**POLARIS**

<b>600 SWITCHBACK PRO R ES</b>		600	2	2014-		0.7	BPR9ES	7788		BPR9EIX	6853
<b>600 SWITCHBACK PRO R INTL</b>		600	2	2013-		0.7	BPR9ES	7788		BPR9EIX	6853
<b>600 SWITCHBACK PRO R INTL</b>		600	2	2014-		0.7	BPR9ES	7788		BPR9EIX	6853
<b>600 SWITCHBACK PRO R RETRO</b>		600	2	2013-		0.7	BPR9ES	7788		BPR9EIX	6853
<b>600 TOURING</b>	S00ST6ES	600	2	2000-2000		0.6	BR10EG	3830			
<b>600 TRIUMPH</b>	S00SB6AS	600	2	2000-2000		0.7	BR9ES	5722		BR9EIX	3981
<b>600 WIDETRACK IQ</b>		600	2	2010-2014		0.7	BPR9ES	7788		BPR9EIX	6853
<b>600 WIDETRACK IQ INTL</b>		600	2	2010-2014		0.7	BPR9ES	7788		BPR9EIX	6853
<b>600 XC</b>	0971776	600	3	1997-		0.7	BR9ES	5722		BR9EIX	3981
<b>600 XC</b>	0981758	600	2	1998-		0.7	BR9ES	5722		BR9EIX	3981
<b>600 XC</b>	099SB6DS	600	2	1999-		0.7	BR9ES	5722		BR9EIX	3981
<b>600 XC DELUXE</b>	S00SD6DS	600	2	2000-2000		0.6	BR10EG	3830			
<b>600 XC EDGE F/O</b>	S03NP6ES	600	2	2003-		0.6	BR10EG	3830			
<b>600 XC EUROPEAN</b>	E971776	600	3	1997-		0.7	BR9ES	5722		BR9EIX	3981
<b>600 XCR</b>	0941667	600	3	1994-		0.7	BR9ES	5722		BR9EIX	3981
<b>600 XCR</b>	0951676	600	3	1995-		0.7	BR9ES	5722		BR9EIX	3981
<b>600 XCR</b>	0961676	600	3	1996-		0.7	BR9ES	5722		BR9EIX	3981
<b>600 XCR</b>	0965677	600	3	1996-		0.7	BR9ES	5722		BR9EIX	3981
<b>600 XCR</b>	0975677	600	3	1997-		0.7	BR9ES	5722		BR9EIX	3981
<b>600 XCR</b>	0985677	600	3	1998-		0.7	BR9ES	5722		BR9EIX	3981
<b>600 XCR EUROPEAN</b>	E961676	600	3	1996-		0.7	BR9ES	5722		BR9EIX	3981
<b>600 XCR EUROPEAN</b>	E965677	600	3	1996-		0.7	BR9ES	5722		BR9EIX	3981
<b>600 XCR SE</b>	H975677	600	3	1997-		0.7	BR9ES	5722		BR9EIX	3981
<b>600 XCR SE EUROPEAN</b>	E975677	600	3	1997-		0.7	BR9ES	5722		BR9EIX	3981
<b>600 XC SP</b>	099SP6DS	600	2	1999-		0.7	BR9ES	5722		BR9EIX	3981
<b>600 XC SP</b>	S01NP6ES	600	2	2001-		0.6	BR10EG	3830			
<b>600 XC SP</b>	01NP6ESA	600	2	2001-		0.6	BR10EG	3830			
<b>600 XC SP</b>	01NP6ESB	600	2	2001-		0.6	BR10EG	3830			
<b>600 XC SP</b>	01NP6ESX	600	2	2001-		0.6	BR10EG	3830			
<b>600 XC SP</b>	02NP6ESB	600	2	2002-		0.6	BR10EG	3830			
<b>600 XC SP</b>	02NP6ESA	600	2	2002-		0.6	BR10EG	3830			
<b>600 XC SP EDGE</b>	S00NP6ES	600	2	2000-2000		0.6	BR10EG	3830			
<b>600 XC SP EDGE</b>	S04NP5CS	600	2	2004-		0.6	BR10EG	3830			
<b>600 XC SP EDGE</b>	S05NE5CS	600	2	2005-		0.6	BR10EG	3830			
<b>600 XC SP EDGE M-10</b>	S04NP5CS	600	2	2004-		0.6	BR10EG	3830			
<b>600 XC SP EDGE M-10</b>	S05NE5CS	600	2	2005-		0.6	BR10EG	3830			
<b>600 XC SP EDGE M-10 F/O</b>	S03NE6ES	600	2	2003-		0.6	BR10EG	3830			
<b>600 XC SP EDGE M-10 F/O</b>	S03NF6ES	600	2	2003-		0.6	BR10EG	3830			
<b>600 XC SP EDGE S03</b>	NP6ESA/ NP6ESB	600	2	2003-		0.6	BR10EG	3830			
<b>600 XC SP EDGE X F/O</b>	S03NA6ES	600	2	2003-		0.6	BR10EG	3830			
<b>600 XC SP EV</b>	S00SP6ES	600	2	2000-2000		0.6	BR10EG	3830			
<b>600 XC SP F/O</b>	S02NP6ES	600	2	2002-		0.6	BR10EG	3830			
<b>600 XC SP M-10 F/O</b>	S02NE6ES	600	2	2002-		0.6	BR10EG	3830			
<b>600 XC TWIN</b>	0971758	600	2	1996-		0.7	BR9ES	5722		BR9EIX	3981
<b>600 XLT</b>	0930767	600	3	1993-		0.7	BR9ES	5722		BR9EIX	3981
<b>600 XLT</b>	0940756	600	3	1994-		0.8	BR8ES	5422	Q207	BR8EIX	5044
<b>600 XLT</b>	0950756	600	3	1995-		0.8	BR8ES	5422	Q207	BR8EIX	5044
<b>600 XLT</b>	0966756	600	3	1996-		0.8	BR8ES	5422	Q207	BR8EIX	5044

\*Bitte Elektrodenabstand nach Angaben des Herstellers justieren

\*Please adjust the ground electrode gap

\*Veuillez vérifier l'écartement

\* Por favor, ajustar la distancia entre los electrodos

\*Regolare il gap

\*\*Iridium IX Spark Plug is the standard recommendation





Stock No.

Quick No.

Upgrade ↑

Stock No. ↑

**POLARIS**

<b>600 XLT</b>	0970756	600	3	1997-		0.8	BR8ES	5422	Q207	BR8EIX	5044
<b>600 XLT CLASSIC</b>	0983857	600	3	1998-		0.7	BR9ES	5722		BR9EIX	3981
<b>600 XLT CLASSIC</b>	099ED6AS	600	3	1999-		0.8	BR8ES	5422	Q207	BR8EIX	5044
<b>600 XLT EUROPEAN</b>	E930767	600	3	1993-		0.7	BR9ES	5722		BR9EIX	3981
<b>600 XLT EUROPEAN</b>	E940756	600	3	1994-		0.8	BR8ES	5422	Q207	BR8EIX	5044
<b>600 XLT LTD</b>	0973756	600	3	1997-		0.8	BR8ES	5422	Q207	BR8EIX	5044
<b>600 XLT LTD</b>	0983756	600	3	1998-		0.8	BR8ES	5422	Q207	BR8EIX	5044
<b>600 XLT LTD EUROPEAN</b>	E973756	600	3	1997-		0.8	BR8ES	5422	Q207	BR8EIX	5044
<b>600 XLT LTD SP</b>	0973776	600	3	1997-		0.7	BR9ES	5722		BR9EIX	3981
<b>600 XLT RMK</b>	0950956	600	3	1995-		0.8	BR8ES	5422	Q207	BR8EIX	5044
<b>600 XLT RMK</b>	0960956	600	3	1996-		0.8	BR8ES	5422	Q207	BR8EIX	5044
<b>600 XLT RMK</b>	0970956	600	3	1997-		0.8	BR8ES	5422	Q207	BR8EIX	5044
<b>600 XLT SKS</b>	0930567	600	3	1993-		0.7	BR9ES	5722		BR9EIX	3981
<b>600 XLT SKS</b>	0940567	600	3	1994-		0.8	BR8ES	5422	Q207	BR8EIX	5044
<b>600 XLT SKS</b>	0950556	600	3	1995-		0.8	BR8ES	5422	Q207	BR8EIX	5044
<b>600 XLT SKS</b>	0960556	600	3	1996-		0.8	BR8ES	5422	Q207	BR8EIX	5044
<b>600 XLT SKS</b>	0970556	600	3	1997-		0.8	BR8ES	5422	Q207	BR8EIX	5044
<b>600 XLT SKS EUROPEAN</b>	E930567	600	3	1993-		0.7	BR9ES	5722		BR9EIX	3981
<b>600 XLT SKS EUROPEAN</b>	E940567	600	3	1994-		0.8	BR8ES	5422	Q207	BR8EIX	5044
<b>600 XLT SKS EUROPEAN</b>	E950556	600	3	1995-		0.8	BR8ES	5422	Q207	BR8EIX	5044
<b>600 XLT SKS EUROPEAN</b>	0960556	600	3	1996-		0.8	BR8ES	5422	Q207	BR8EIX	5044
<b>600 XLT SP</b>	0920767	600	3	1992-		0.7	BR9ES	5722		BR9EIX	3981
<b>600 XLT SP</b>	0930667	600	3	1993-		0.7	BR9ES	5722		BR9EIX	3981
<b>600 XLT SP</b>	0940667	600	3	1994-		0.8	BR8ES	5422	Q207	BR8EIX	5044
<b>600 XLT SP</b>	0956756	600	3	1995-		0.8	BR8ES	5422	Q207	BR8EIX	5044
<b>600 XLT SP</b>	0966676	600	3	1996-		0.7	BR9ES	5722		BR9EIX	3981
<b>600 XLT SP</b>	0976676	600	3	1997-		0.8	BR8ES	5422	Q207	BR8EIX	5044
<b>600 XLT SP</b>	0985776	600	3	1998-		0.7	BR9ES	5722		BR9EIX	3981
<b>600 XLT SP</b>	099AB6AS	600	3	1999-		0.7	BR9ES	5722		BR9EIX	3981
<b>600 XLT SP 48" STANCE</b>	0956456	600	3	1995-		0.8	BR8ES	5422	Q207	BR8EIX	5044
<b>600 XLT SP EUROPEAN</b>	E930667	600	3	1993-		0.7	BR9ES	5722		BR9EIX	3981
<b>600 XLT SP EUROPEAN</b>	E940667	600	3	1994-		0.8	BR8ES	5422	Q207	BR8EIX	5044
<b>600 XLT SP EUROPEAN</b>	E956756	600	3	1995-		0.8	BR8ES	5422	Q207	BR8EIX	5044
<b>600 XLT SP EUROPEAN</b>	0966676	600	3	1996-		0.7	BR9ES	5722		BR9EIX	3981
<b>600 XLT SP LT</b>	0956756	600	3	1995-		0.8	BR8ES	5422	Q207	BR8EIX	5044
<b>600 XLT SP XTRA</b>	0946767	600	3	1994-		0.8	BR8ES	5422	Q207	BR8EIX	5044
<b>600 XLT TOURING</b>	0952857	600	3	1995-		0.8	BR8ES	5422	Q207	BR8EIX	5044
<b>600 XLT TOURING</b>	0963357	600	3	1996-		0.8	BR8ES	5422	Q207	BR8EIX	5044
<b>600 XLT TOURING</b>	0973357	600	3	1997-		0.8	BR8ES	5422	Q207	BR8EIX	5044
<b>600 XLT TOURING</b>	0983357	600	3	1998-		0.8	BR8ES	5422	Q207	BR8EIX	5044
<b>600 XLT TOURING</b>	99ET6ASA	600	3	1999-		0.8	BR8ES	5422	Q207	BR8EIX	5044
<b>600 XLT TOURING</b>	099ET6AS	600	3	1999-		0.8	BR8ES	5422	Q207	BR8EIX	5044
<b>600 XLT TOURING EUROPEAN</b>	E952857	600	3	1995-		0.8	BR8ES	5422	Q207	BR8EIX	5044
<b>600 XLT TOURING EUROPEAN</b>	E963357	600	3	1996-		0.8	BR8ES	5422	Q207	BR8EIX	5044
<b>600 XLT TOURING EUROPEAN</b>	E973357	600	3	1997-		0.8	BR8ES	5422	Q207	BR8EIX	5044
<b>601 SWITCHBACK ADVENTURE</b>		600	2	2013-		0.7	BPR9ES	7788		BPR9EIX	6853

\*Bitte Elektrodenabstand nach Angaben des Herstellers justieren

\*Please adjust the ground electrode gap

\*Veuillez vérifier l'écartement

\* Por favor, ajustar la distancia entre los electrodos

\*Regolare il gap

\* Iridium IX Spark Plug is the standard recommendation





Stock No.

Quick No.

Upgrade ↑

Stock No. ↑

**POLARIS**

<b>602 SWITCHBACK ADVENTURE</b>		600	2	2014-		0.7	BPR9ES	7788		BPR9EIX	6853
<b>EC65PL-01</b>		648	3	-		0.6	BR9ES	5722		BR9EIX	3981
<b>EC65PL-02</b>		648	3	-		0.6	BR9ES	5722		BR9EIX	3981
<b>EC65PL-03</b>		648	3	-		0.6	BR9ES	5722		BR9EIX	3981
<b>EC65PL-05</b>		648	3	-		0.6	BR9ES	5722		BR9EIX	3981
<b>650</b>	0880758	650	3	1988-		0.7	BR9ES	5722		BR9EIX	3981
<b>650</b>	0890758	650	3	1989-1989		0.7	BR9ES	5722		BR9EIX	3981
<b>650</b>	0900758	650	3	1990-		0.7	BR9ES	5722		BR9EIX	3981
<b>650</b>	0910758	650	3	1991-		0.7	BR9ES	5722		BR9EIX	3981
<b>650</b>	0920758	650	3	1992-		0.7	BR9ES	5722		BR9EIX	3981
<b>650 FIN</b>	F880758	650	3	1988-		0.7	BR9ES	5722		BR9EIX	3981
<b>650 FIN</b>	F900758	650	3	1990-		0.7	BR9ES	5722		BR9EIX	3981
<b>650 NOR</b>	N890758	650	3	1989-1989		0.7	BR9ES	5722		BR9EIX	3981
<b>650 NOR</b>	N900758	650	3	1990-		0.7	BR9ES	5722		BR9EIX	3981
<b>650 RXL</b>	0900768	650	3	1990-		0.7	BR9ES	5722		BR9EIX	3981
<b>650 RXL</b>	0910768	650	3	1991-		0.7	BR9ES	5722		BR9EIX	3981
<b>650 RXL</b>	0920768	650	3	1992-		0.7	BR9ES	5722		BR9EIX	3981
<b>650 RXL</b>	0930768	650	3	1993-		0.7	BR9ES	5722		BR9EIX	3981
<b>650 RXL</b>	0940768	650	3	1994-		0.7	BR9ES	5722		BR9EIX	3981
<b>650 RXL</b>	0956168	650	3	1995-		0.7	BR9ES	5722		BR9EIX	3981
<b>650 RXL</b>	0966768	650	3	1996-		0.7	BR9ES	5722		BR9EIX	3981
<b>650 RXL</b>	0976768	650	3	1997-		0.7	BR9ES	5722		BR9EIX	3981
<b>650 RXL EUROPEAN</b>	E930768	650	3	1993-		0.7	BR9ES	5722		BR9EIX	3981
<b>650 RXL LT</b>	0956768	650	3	1995-		0.7	BR9ES	5722		BR9EIX	3981
<b>650 RXL SKS</b>	0910568	650	3	1991-		0.7	BR9ES	5722		BR9EIX	3981
<b>650 RXL SKS</b>	0920568	650	3	1992-		0.7	BR9ES	5722		BR9EIX	3981
<b>650 RXL SKS</b>	0930568	650	3	1993-		0.7	BR9ES	5722		BR9EIX	3981
<b>650 RXL SKS EUROPEAN</b>	E930568	650	3	1993-		0.7	BR9ES	5722		BR9EIX	3981
<b>650 RXL SKS FINLAND</b>	F920568	650	3	1992-		0.7	BR9ES	5722		BR9EIX	3981
<b>650 RXL SKS SWE</b>	S910568	650	3	1991-		0.7	BR9ES	5722		BR9EIX	3981
<b>650 RXL SKS SWE</b>	S920568	650	3	1992-		0.7	BR9ES	5722		BR9EIX	3981
<b>650 RXL SWE</b>	S910768	650	3	1991-		0.7	BR9ES	5722		BR9EIX	3981
<b>650 RXL SWE</b>	S920768	650	3	1992-		0.7	BR9ES	5722		BR9EIX	3981
<b>650 RXL TOURING</b>	0940869	650	3	1994-		0.7	BR9ES	5722		BR9EIX	3981
<b>650 RXL TOURING</b>	0950869	650	3	1995-		0.7	BR9ES	5722		BR9EIX	3981
<b>650 RXL TOURING EUROPEAN</b>	E940869	650	3	1994-		0.7	BR9ES	5722		BR9EIX	3981
<b>650 SKS</b>	0880558	650	3	1988-		0.7	BR9ES	5722		BR9EIX	3981
<b>650 SKS</b>	0890558	650	3	1989-1989		0.7	BR9ES	5722		BR9EIX	3981
<b>650 SKS</b>	0900558	650	3	1990-		0.7	BR9ES	5722		BR9EIX	3981
<b>650 SKS FIN</b>	0880558	650	3	1988-		0.7	BR9ES	5722		BR9EIX	3981
<b>650 SKS FIN</b>	F890558	650	3	1989-1989		0.7	BR9ES	5722		BR9EIX	3981
<b>650 SKS FIN</b>	F900558	650	3	1990-		0.7	BR9ES	5722		BR9EIX	3981
<b>650 SKS NOR</b>	N880558	650	3	1988-		0.7	BR9ES	5722		BR9EIX	3981
<b>650 SKS NOR</b>	N890558	650	3	1989-1989		0.7	BR9ES	5722		BR9EIX	3981
<b>650 SKS NOR</b>	N900558	650	3	1990-		0.7	BR9ES	5722		BR9EIX	3981
<b>650 SKS SWE</b>	S880558	650	3	1988-		0.7	BR9ES	5722		BR9EIX	3981
<b>650 SKS SWE</b>	S890558	650	3	1989-1989		0.7	BR9ES	5722		BR9EIX	3981
<b>650 SKS SWE</b>	S900558	650	3	1990-		0.7	BR9ES	5722		BR9EIX	3981
<b>650 SWE</b>	S910758	650	3	1991-		0.7	BR9ES	5722		BR9EIX	3981
<b>650 SWE</b>	S920758	650	3	1992-		0.7	BR9ES	5722		BR9EIX	3981
<b>EC66PL-01</b>		679		-		0.7	BR8ES	5422	Q207	BR8EIX	5044

\*Bitte Elektrodenabstand nach Angaben des Herstellers justieren

\*Please adjust the ground electrode gap

\*Veuillez vérifier l'écartement

\* Por favor, ajustar la distancia entre los electrodos

\*Regolare il gap

\*\* Iridium IX Spark Plug is the standard recommendation





Stock No.

Quick No.

Upgrade ↑

Stock No. ↑

**POLARIS**

<b>EC66PL-04</b>		679		-		0.7	BR8ES	5422	Q207	BR8EIX	5044
<b>EC68PL-01</b>		679	3	-		0.7	BR9ES	5722		BR9EIX	3981
<b>EC68PL-03</b>		679	3	-		0.7	BR9ES	5722		BR9EIX	3981
<b>EC68PL-04</b>		679	3	-		0.7	BR9ES	5722		BR9EIX	3981
<b>700 CLASSIC</b>	S01SD7AS	700	2	2001-		0.6	BR10EG	3830			
<b>700 CLASSIC</b>	S02ND7CS	700	2	2002-		0.6	BR10EG	3830			
<b>700 CLASSIC</b>	S03ND7CS	700	2	2003-		0.6	BR10EG	3830			
<b>700 CLASSIC</b>	S04ND7CS	700	2	2004-		0.6	BR10EG	3830			
<b>700 CLASSIC</b>		700	2	2006-		0.6	BR10EG	3830			
<b>700 CLASSIC TOURIN</b>	S04NT6ES/ S04NT6EE	700	2	2004-		0.6	BR10EG	3830			
<b>700 CLASSIC TOUR- ING</b>	S03NT7CS	700	2	2003-		0.6	BR10EG	3830			
<b>700 CLEANFIRE DRA</b>		700	2	2007-		0.6	BR10EG	3830			
<b>700 DRAGON SWITCH- BACK</b>	Swichback	700	2	2008-		0.6	BR10EG	3830			
<b>700 EDGE RMK CC</b>	S03NS7CS	700	2	2003-		0.6	BR10EG	3830			
<b>700 FUSION F/O</b>		700	2	2006-		0.6	BR10EG	3830			
<b>700 HO TOURING</b>		700	2	2006-		0.6	BR10EG	3830			
<b>700 IQ</b>		700	2	2008-		0.6	BR10EG	3830			
<b>700 PRO X</b>	S03NX7CS	700	2	2003-		0.6	BR10EG	3830			
<b>700 PRO X</b>	S04NX6ES	700	2	2004-		0.6	BR10EG	3830			
<b>700 PRO X2</b>	S04NX6ES	700	2	2004-		0.6	BR10EG	3830			
<b>700 RM</b>		700	2	2009-		0.6	BR10EG	3830			
<b>700 RMK</b>	0970966	700	2	1997-		0.7	BR9ES	5722		BR9EIX	3981
<b>700 RMK</b>	0980966	700	2	1998-		0.7	BR9ES	5722		BR9EIX	3981
<b>700 RMK</b>	99SR7ASA	700	2	1999-		0.7	BR9ES	5722		BR9EIX	3981
<b>700 RMK</b>	099SR7AS	700	2	1999-		0.7	BR9ES	5722		BR9EIX	3981
<b>700 RMK</b>	S00SR7ASA	700	2	2000-2000		0.6	BR10EG	3830			
<b>700 RMK</b>	S00SR7AS	700	2	2000-2000		0.6	BR10EG	3830			
<b>700 RMK</b>		700	2	2006-		0.6	BR10EG	3830			
<b>700 RMK 136</b>	S01SR7AS	700	2	2001-		0.6	BR10EG	3830			
<b>700 RMK 136</b>	S02NJ7CS	700	2	2002-		0.6	BR10EG	3830			
<b>700 RMK 136 STOCK</b>	S02NJ7CSA	700	2	2002-		0.6	BR10EG	3830			
<b>700 RMK 144</b>	S01SM7AS	700	2	2001-		0.6	BR10EG	3830			
<b>700 RMK 144 F/O</b>	S03NK7CS	700	2	2003-		0.6	BR10EG	3830			
<b>700 RMK 144 F/O CSA</b>	S02NK7CS,	700	2	2002-		0.6	BR10EG	3830			
<b>700 RMK 144 STOCK</b>	02NK7CSA	700	2	2002-		0.6	BR10EG	3830			
<b>700 RMK 144 STOCK</b>	03NK7CSA	700	2	2003-		0.6	BR10EG	3830			
<b>700 RMK 151 F/O</b>	S02NL7CS	700	2	2002-		0.6	BR10EG	3830			
<b>700 RMK 151 F/O</b>	S03NL7CS	700	2	2003-		0.6	BR10EG	3830			
<b>700 RMK 151 STOCK</b>	S03NL7CSA	700	2	2003-		0.6	BR10EG	3830			
<b>700 RMK 155 ALL OPTIONS</b>		700	2	2008-		0.6	BR10EG	3830			
<b>700 RMK 163 ALL OPTIONS</b>		700	2	2008-		0.6	BR10EG	3830			
<b>700 RMK EARLY PROD</b>		700	2	2008-		0.6	BR10EG	3830			
<b>700 RMK EUROPEAN</b>	E980966	700	2	1998-		0.7	BR9ES	5722		BR9EIX	3981
<b>700 RMK F/O</b>	S04NK6ES	700	2	2004-		0.6	BR10EG	3830			
<b>700 RMK F/O</b>	S05NK6ES	700	2	2005-		0.6	BR10EG	3830			
<b>700 SKS</b>	0970566	700	2	1997-		0.7	BR9ES	5722		BR9EIX	3981
<b>700 SKS</b>	099SS7AS	700	2	1999-		0.7	BR9ES	5722		BR9EIX	3981
<b>700 SKS</b>	E01SS7AU	700	2	2000-2000		0.6	BR10EG	3830			
<b>700 SKS</b>	S00SS7AS	700	2	2000-2000		0.6	BR10EG	3830			
<b>700 SKS</b>	E00SS7AU	700	2	2000-2000		0.6	BR10EG	3830			

\*Bitte Elektrodenabstand nach Angaben des Herstellers justieren

\*Please adjust the ground electrode gap

\*Veuillez vérifier l'écartement

\* Por favor, ajustar la distancia entre los electrodos

\*Regolare il gap

\* Iridium IX Spark Plug is the standard recommendation





Stock No.

Quick No.

Upgrade ↑

Stock No. ↑

**POLARIS**

<b>700 SKS</b>	S01SS7AS	700	2	2001-		0.6	BR10EG	3830			
<b>700 SKS</b>	S02SS7CE	700	2	2002-		0.6	BR10EG	3830			
<b>700 SKS</b>	S02NS7CS	700	2	2002-		0.6	BR10EG	3830			
<b>700 SKS</b>	S03NS7CS/ S03NS7CSA	700	2	2003-		0.6	BR10EG	3830			
<b>700 SKS EUROPEAN</b>	E970566	700	2	1997-		0.7	BR9ES	5722		BR9EIX	3981
<b>700 SKS EUROPEAN</b>	E99SS7AU	700	2	1999-		0.7	BR9ES	5722		BR9EIX	3981
<b>700 SWITCHBACK</b>	Switchback	700	2	2004-		0.6	BR10EG	3830			
<b>700 SWITCHBACK</b>	Swichback	700	2	2008-		0.6	BR10EG	3830			
<b>700 SWITCHBACK ALL OPTIONS</b>	Swichback	700	2	2008-		0.6	BR10EG	3830			
<b>700 ULTRA</b>	0976778	700	3	1997-		0.7	BR9ES	5722		BR9EIX	3981
<b>700 ULTRA</b>	0986778	700	3	1998-		0.7	BR9ES	5722		BR9EIX	3981
<b>700 ULTRA RMK</b>	0960978	700	3	1996-		0.7	BR9ES	5722		BR9EIX	3981
<b>700 ULTRA SKS</b>	0966778	700	3	1996-		0.7	BR9ES	5722		BR9EIX	3981
<b>700 ULTRA SKS EURO- PEAN</b>	E966778	700	3	1996-		0.7	BR9ES	5722		BR9EIX	3981
<b>700 ULTRA SP</b>	0960678	700	3	1996-		0.7	BR9ES	5722		BR9EIX	3981
<b>700 ULTRA SP</b>	0970678	700	3	1997-		0.7	BR9ES	5722		BR9EIX	3981
<b>700 ULTRA SP EURO- PEAN</b>	E960678	700	3	1996-		0.7	BR9ES	5722		BR9EIX	3981
<b>700 ULTRA SPX</b>	0975678	700	3	1997-		0.7	BR9ES	5722		BR9EIX	3981
<b>700 ULTRA SPX SE</b>	H975678	700	3	1997-		0.7	BR9ES	5722		BR9EIX	3981
<b>700 ULTRA SPX SE EUROPEAN</b>	E975678	700	3	1997-		0.7	BR9ES	5722		BR9EIX	3981
<b>700 ULTRA TOURING</b>	0975378	700	3	1997-		0.7	BR9ES	5722		BR9EIX	3981
<b>700 ULTRA TOURING</b>	0985378	700	3	1998-		0.7	BR9ES	5722		BR9EIX	3981
<b>700 ULTRA TOURING EUROPEAN</b>	E975378	700	3	1997-		0.7	BR9ES	5722		BR9EIX	3981
<b>700 ULTRA TOURING EUROPEAN</b>	E985378	700	3	1998-		0.7	BR9ES	5722		BR9EIX	3981
<b>700 XC</b>	0971766	700	2	1997-		0.7	BR9ES	5722		BR9EIX	3981
<b>700 XC</b>	0981766	700	2	1998-		0.7	BR9ES	5722		BR9EIX	3981
<b>700 XC</b>	099SB7AS	700	2	1999-		0.7	BR9ES	5722		BR9EIX	3981
<b>700 XC DELUXE</b>	S00SD7AS	700	2	2000-2000		0.6	BR10EG	3830			
<b>700 XC EDGE F/O</b>	S03NP7CS	700	2	2003-		0.6	BR10EG	3830			
<b>700 XC EDGE F/O</b>	S04NP7CS	700	2	2004-		0.6	BR10EG	3830			
<b>700 XC EUROPEAN</b>	E981766	700	2	1998-		0.7	BR9ES	5722		BR9EIX	3981
<b>700 XCR</b>	0985678A	700	3	1998-		0.7	BR9ES	5722		BR9EIX	3981
<b>700 XCR</b>	0985678	700	3	1998-		0.7	BR9ES	5722		BR9EIX	3981
<b>700 XCR</b>	099AB7BS	700	3	1999-		0.7	BR9ES	5722		BR9EIX	3981
<b>700 XCR EUROPEAN</b>	E985678	700	3	1998-		0.7	BR9ES	5722		BR9EIX	3981
<b>700 XC SP</b>	099SP7AS	700	2	1999-		0.7	BR9ES	5722		BR9EIX	3981
<b>700 XC SP</b>	S00SP7AS	700	2	2000-2000		0.6	BR10EG	3830			
<b>700 XC SP</b>	S01NP7ASB	700	2	2001-		0.6	BR10EG	3830			
<b>700 XC SP</b>	S01NP7ASA	700	2	2001-		0.6	BR10EG	3830			
<b>700 XC SP</b>	S01NP7AS	700	2	2001-		0.6	BR10EG	3830			
<b>700 XC SP</b>	S01NP7CS	700	2	2001-		0.6	BR10EG	3830			
<b>700 XC SP</b>	S02NP7CSB	700	2	2002-		0.6	BR10EG	3830			
<b>700 XC SP</b>	S02NP7CSA	700	2	2002-		0.6	BR10EG	3830			
<b>700 XC SP</b>		700	2	2005-		0.6	BR10EG	3830			
<b>700 XC SP EDGE</b>	S03NP7CSA/ S03NP7CSB	700	2	2003-		0.6	BR10EG	3830			
<b>700 XC SP EDGE F/O</b>	S03NF7CS	700	2	2003-		0.6	BR10EG	3830			
<b>700 XC SP EDGE M-10</b>	S03NE7CS	700	2	2003-		0.6	BR10EG	3830			
<b>700 XC SP EDGE X F/O S</b>	S03NA7CS	700	2	2003-		0.6	BR10EG	3830			

\*Bitte Elektrodenabstand nach Angaben des Herstellers justieren

\*Please adjust the ground electrode gap

\*Veuillez vérifier l'écartement

\* Por favor, ajustar la distancia entre los electrodos

\*Regolare il gap

\*\* Iridium IX Spark Plug is the standard recommendation





Stock No.

Quick No.

Upgrade ↑

Stock No. ↑

**POLARIS**

<b>700 XC SP F/O</b>	S02NP7CS	700	2	2002-		0.6	BR10EG	3830			
<b>700 XC SP M-10 F/O</b>	S02NE7CS	700	2	2002-		0.6	BR10EG	3830			
<b>SN70LCDSP-01</b>		701	2	-		0.7	BR9ES	5722		BR9EIX	3981
<b>SN70LCDSP-02</b>		701	2	-		0.7	BR9ES	5722		BR9EIX	3981
<b>EC74P</b>		744	3	-		0.5	B7ES	1111		BR7EIX	6664
<b>FS IQ EURO</b>		750	2	2007-2009		0.7	BKR7E	6097		BKR7EIX	2667
<b>FS IQ TOURING</b>		750	2	2007-2009		0.7	BKR7E	6097		BKR7EIX	2667
<b>FST IQ TOURING</b>		750	2	2007-		0.9	PFR7G-9	4371			
<b>EC80P</b>		792	3	-		0.5	B7ES	1111		BR7EIX	6664
<b>EC80PL-04</b>		794	3	-		0.7	BR7ES	5122		BR7EIX	6664
<b>EC80PL-05</b>		794	3	-		0.7	BR7ES	5122		BR7EIX	6664
<b>800 CLASSIC</b>	S04ND8CS	800	2	2004-		0.6	BR10EG	3830			
<b>800 CLASSIC INT'L</b>	S04NT6ES/ S04NT6EE	800	2	2004-		0.6	BR10EG	3830			
<b>800 CLASSIC TOUR- ING</b>	S03NT8CS	800	2	2003-		0.6	BR10EG	3830			
<b>800 CLASSIC TOUR- ING</b>	S04NT6ES/ S04NT6EE	800	2	2004-		0.6	BR10EG	3830			
<b>800 DRAGON</b>		800	2	2009-		0.6	BR10EG	3830			
<b>800 DRAGON ES EURO</b>		800	2	2009-		0.6	BR10EG	3830			
<b>800 DRAGON EURO</b>		800	2	2009-		0.6	BR10EG	3830			
<b>800 DRAGON IQ</b>		800	2	2010-		0.6	BR10EG	3830			
<b>800 DRAGON IQ ES</b>		800	2	2010-		0.6	BR10EG	3830			
<b>800 DRAGON IQ INTL ALL OPTIONS</b>		800	2	2010-		0.6	BR10EG	3830			
<b>800 DRAGON RMK 155</b>		800	2	2008-		0.6	BR10EG	3830			
<b>800 DRAGON RMK 155</b>		800	2	2009-		0.6	BR10EG	3830			
<b>800 DRAGON RMK 155 ALL OPTIONS</b>		800	2	2010-		0.6	BR10EG	3830			
<b>800 DRAGON RMK 155 ES</b>		800	2	2009-		0.6	BR10EG	3830			
<b>800 DRAGON RMK 155 EURO ALL OPTIONS</b>		800	2	2009-		0.6	BR10EG	3830			
<b>800 DRAGON RMK 155 SPECIAL LATE PROD</b>		800	2	2008-		0.6	BR10EG	3830			
<b>800 DRAGON RMK 163</b>		800	2	2008-		0.6	BR10EG	3830			
<b>800 DRAGON RMK 163</b>		800	2	2009-		0.6	BR10EG	3830			
<b>800 DRAGON RMK 163 ALL OPTIONS</b>		800	2	2010-		0.6	BR10EG	3830			
<b>800 DRAGON RMK 163 ES</b>		800	2	2009-		0.6	BR10EG	3830			
<b>800 DRAGON RMK 163 EURO ALL OPTIONS</b>		800	2	2009-		0.6	BR10EG	3830			
<b>800 DRAGON RMK EURO</b>		800	2	2008-		0.6	BR10EG	3830			
<b>800 DRAGON SP</b>		800	2	2009-		0.6	BR10EG	3830			
<b>800 DRAGON SWITCH- BACK</b>		800	2	2010-		0.6	BR10EG	3830			
<b>800 DRAGON SWITCH- BACK ES</b>		800	2	2010-		0.6	BR10EG	3830			
<b>800 DRAGON SWITCH- BACK INTL ALL</b>		800	2	2010-		0.6	BR10EG	3830			
<b>800 EDGE TOURING</b>		800	2	2005-		0.6	BR10EG	3830			
<b>800 INDY ES</b>		800	2	2014-		0.7	BPR9ES	7788		BPR9EIX	6853
<b>800 INDY INTL</b>		800	2	2014-		0.7	BPR9ES	7788		BPR9EIX	6853
<b>800 INDY SP</b>		800	2	2014-		0.7	BPR9ES	7788		BPR9EIX	6853

\* Bitte Elektrodenabstand nach Angaben des Herstellers justieren

\* Please adjust the ground electrode gap

\* Veuillez vérifier l'écartement

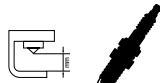
\* Por favor, ajustar la distancia entre los electrodos

\* Regolare il gap

\* Iridium IX Spark Plug is the standard recommendation







Stock No.

Quick No.

Upgrade ↑

Stock No. ↑

**POLARIS**

<b>800 INDY SP ALL OPTIONS</b>		800	2	2014-		0.7	BPR9ES	7788		BPR9EIX	6853
<b>800 IQ</b>		800	2	2009-2010		0.6	BR10EG	3830			
<b>800 IQ ES</b>		800	2	2009-2010		0.6	BR10EG	3830			
<b>800 LE</b>	S01ND8BS	800	2	2001-		0.6	BR10EG	3830			
<b>800 Pro RMK</b>		800	2	2012-		0.7	BPR9ES	7788		BPR9EIX	6853
<b>800 Pro RMK</b>		800	2	2013-		0.7	BPR9ES	7788		BPR9EIX	6853
<b>800 Pro RMK</b>		800	2	2014-		0.7	BPR9ES	7788		BPR9EIX	6853
<b>800 PRO RMK 155</b>		800	2	2011-		0.7	BPR9ES	7788		BPR9EIX	6853
<b>800 Pro RMK 155</b>		800	2	2012-		0.7	BPR9ES	7788		BPR9EIX	6853
<b>800 Pro RMK 155</b>		800	2	2013-		0.7	BPR9ES	7788		BPR9EIX	6853
<b>800 PRO RMK 155 ES</b>		800	2	2011-		0.7	BPR9ES	7788		BPR9EIX	6853
<b>800 PRO RMK 155 INTL ALL OPTIONS</b>		800	2	2011-		0.7	BPR9ES	7788		BPR9EIX	6853
<b>800 PRO RMK 163</b>		800	2	2011-		0.7	BPR9ES	7788		BPR9EIX	6853
<b>800 Pro RMK 163 ALL OPTIONS</b>		800	2	2012-		0.7	BPR9ES	7788		BPR9EIX	6853
<b>800 Pro RMK 163 ALL OPTIONS</b>		800	2	2013-		0.7	BPR9ES	7788		BPR9EIX	6853
<b>800 Pro RMK 163 ALL OPTIONS</b>		800	2	2014-		0.7	BPR9ES	7788		BPR9EIX	6853
<b>800 PRO RMK 163 ES</b>		800	2	2011-		0.7	BPR9ES	7788		BPR9EIX	6853
<b>800 PRO RMK 163 INTL ALL OPTIONS</b>		800	2	2011-		0.7	BPR9ES	7788		BPR9EIX	6853
<b>800 Pro RMK LE 155</b>		800	2	2014-		0.7	BPR9ES	7788		BPR9EIX	6853
<b>800 PRO X</b>	S03NX8CS	800	2	2003-		0.6	BR10EG	3830			
<b>800 PRO X</b>	S04NX6ES	800	2	2004-		0.6	BR10EG	3830			
<b>800 PRO X2</b>	S04NX6ES	800	2	2004-		0.6	BR10EG	3830			
<b>800 PRO XR</b>	S04NZ8CS	800	2	2004-		0.6	BR10EG	3830			
<b>800 RMK</b>	S00SR8BSA	800	2	2000-2000		0.6	BR10EG	3830			
<b>800 RMK</b>	S00SR8BS	800	2	2000-2000		0.6	BR10EG	3830			
<b>800 RMK 144</b>	S01SM8BS	800	2	2001-		0.6	BR10EG	3830			
<b>800 RMK 144</b>		800	2	2010-		0.6	BR10EG	3830			
<b>800 RMK 144 ES</b>		800	2	2010-		0.6	BR10EG	3830			
<b>800 RMK 144 F/O</b>	S02NK8CS	800	2	2002-		0.6	BR10EG	3830			
<b>800 RMK 144 F/O</b>	S03NK8CS	800	2	2003-		0.6	BR10EG	3830			
<b>800 RMK 144 F/O STOCK</b>	S02NK8CSA	800	2	2002-		0.6	BR10EG	3830			
<b>800 RMK 144 INTL</b>		800	2	2010-		0.6	BR10EG	3830			
<b>800 RMK 144 STOCK</b>	S03NK8CSA	800	2	2003-		0.6	BR10EG	3830			
<b>800 RMK 151</b>	S01SM8BSA	800	2	2001-		0.6	BR10EG	3830			
<b>800 RMK 151 F/O</b>	S03NL8CS	800	2	2003-		0.6	BR10EG	3830			
<b>800 RMK 151 F/O S02N</b>		800	2	2002-		0.6	BR10EG	3830			
<b>800 RMK 151 STOCK</b>	S02NL8CSA	800	2	2002-		0.6	BR10EG	3830			
<b>800 RMK 151 STOCK</b>	S03NL8CSA	800	2	2003-		0.6	BR10EG	3830			
<b>800 RMK 155</b>		800	2	2010-		0.6	BR10EG	3830			
<b>800 RMK 155</b>		800	2	2011-2013		0.7	BPR9ES	7788		BPR9EIX	6853
<b>800 RMK 155</b>		800	2	2014-		0.7	BPR9ES	7788		BPR9EIX	6853
<b>800 RMK 155 ES</b>		800	2	2010-		0.6	BR10EG	3830			
<b>800 RMK 155 INTL</b>		800	2	2010-		0.6	BR10EG	3830			
<b>800 RMK 156 F/O</b>	S02NM8CS	800	2	2002-		0.6	BR10EG	3830			
<b>800 RMK 159 F/O</b>	S03NM8CS	800	2	2003-		0.6	BR10EG	3830			
<b>800 RMK 159 VERTICAL ESCAPE</b>	S03NN8CS	800	2	2003-		0.6	BR10EG	3830			
<b>800 RMK ASSAULT</b>		800	2	2010-		0.6	BR10EG	3830			
<b>800 RMK ASSAULT 146</b>		800	2	2009-		0.6	BR10EG	3830			

\*Bitte Elektrodenabstand nach Angaben des Herstellers justieren

\*Please adjust the ground electrode gap

\*Veuillez vérifier l'écartement

\* Por favor, ajustar la distancia entre los electrodos

\*Regolare il gap

\*\* Iridium IX Spark Plug is the standard recommendation





Stock No.

Quick No.

Upgrade ↑

Stock No. ↑

**POLARIS**

800 RMK ASSAULT 155		800	2	2011-		0.7	BPR9ES	7788		BPR9EIX	6853
800 RMK ASSAULT 155 ALL OPTIONS		800	2	2012-		0.7	BPR9ES	7788		BPR9EIX	6853
800 RMK ASSAULT 155 INTL		800	2	2011-		0.7	BPR9ES	7788		BPR9EIX	6853
800 RMK ASSAULT ALL OPTIONS		800	2	2013-2014		0.7	BPR9ES	7788		BPR9EIX	6853
800 RMK F/O	S04NK6ES	800	2	2004-		0.6	BR10EG	3830			
800 RMK F/O	S05NK6ES	800	2	2005-		0.6	BR10EG	3830			
800 RMK INTL		800	2	2010-		0.6	BR10EG	3830			
800 RMK SHIFT 144		800	2	2009-		0.6	BR10EG	3830			
800 RMK SP 144	S01SM8BSC	800	2	2001-		0.6	BR10EG	3830			
800 RMK SP 151	S01SM8BSB	800	2	2001-		0.6	BR10EG	3830			
800 RUSH		800	2	2009-		0.6	BR10EG	3830			
800 RUSH		800	2	2011-		0.7	BPR9ES	7788		BPR9EIX	6853
800 RUSH		800	2	2012-2013		0.7	BPR9ES	7788		BPR9EIX	6853
800 RUSH ES		800	2	2009-		0.6	BR10EG	3830			
800 RUSH ES		800	2	2011-		0.7	BPR9ES	7788		BPR9EIX	6853
800 RUSH ES		800	2	2012-2013		0.7	BPR9ES	7788		BPR9EIX	6853
800 RUSH PRO-R		800	2	2011-		0.7	BPR9ES	7788		BPR9EIX	6853
800 RUSH PRO R ALL		800	2	2014-		0.7	BPR9ES	7788		BPR9EIX	6853
800 RUSH PRO R ALL OPTIONS		800	2	2012-2013		0.7	BPR9ES	7788		BPR9EIX	6853
800 RUSH RETRO		800	2	2011-		0.7	BPR9ES	7788		BPR9EIX	6853
800 RUSH RETRO ALL OPTIONS		800	2	2011-		0.7	BPR9ES	7788		BPR9EIX	6853
800 RUSH RETRO ES ALL OPTIONS		800	2	2011-		0.7	BPR9ES	7788		BPR9EIX	6853
800 RUSH RETRO LX		800	2	2011-		0.7	BPR9ES	7788		BPR9EIX	6853
800 SKS S0	S03NS8CS/ S03NS8CSA	800	2	2003-		0.6	BR10EG	3830			
800 STORM	0932770	800	3	1993-		0.7	BR9ES	5722		BR9EIX	3981
800 STORM	0940782	800	3	1994-		0.7	BR9ES	5722		BR9EIX	3981
800 STORM	0950782	800	3	1995-		0.8	BR8ES	5422	Q207	BR8EIX	5044
800 STORM	0965782	800	3	1996-		0.7	BR9ES	5722		BR9EIX	3981
800 STORM	0975782	800	3	1997-		0.7	BR9ES	5722		BR9EIX	3981
800 STORM	0985782	800	3	1998-		0.7	BR9ES	5722		BR9EIX	3981
800 STORM EURO-PEAN	E932770	800	3	1993-		0.7	BR9ES	5722		BR9EIX	3981
800 STORM EURO-PEAN	E940782	800	3	1994-		0.7	BR9ES	5722		BR9EIX	3981
800 STORM EURO-PEAN	E950782	800	3	1995-		0.8	BR8ES	5422	Q207	BR8EIX	5044
800 STORM EURO-PEAN	E965782	800	3	1996-		0.7	BR9ES	5722		BR9EIX	3981
800 STORM RMK	0965982	800	3	1996-		0.7	BR9ES	5722		BR9EIX	3981
800 STORM RMK	0975982	800	3	1997-		0.7	BR9ES	5722		BR9EIX	3981
800 STORM SE	H975782	800	3	1997-		0.7	BR9ES	5722		BR9EIX	3981
800 STORM SE EURO-PEAN	E975782	800	3	1997-		0.7	BR9ES	5722		BR9EIX	3981
800 STORM SKS	0932570	800	3	1993-		0.7	BR9ES	5722		BR9EIX	3981
800 STORM SKS	0940582	800	3	1994-		0.7	BR9ES	5722		BR9EIX	3981
800 STORM SKS	0950582	800	3	1995-		0.8	BR8ES	5422	Q207	BR8EIX	5044
800 STORM SKS	0965582	800	3	1996-		0.7	BR9ES	5722		BR9EIX	3981
800 STORM SKS EUROPEAN	E932570	800	3	1993-		0.7	BR9ES	5722		BR9EIX	3981
800 STORM SKS EUROPEAN	E940582	800	3	1994-		0.7	BR9ES	5722		BR9EIX	3981
800 STORM SKS EUROPEAN	E950582	800	3	1995-		0.8	BR8ES	5422	Q207	BR8EIX	5044

\*Bitte Elektrodenabstand nach Angaben des Herstellers justieren

\*Please adjust the ground electrode gap

\*Veuillez vérifier l'écartement

\* Por favor, ajustar la distancia entre los electrodos

\*Regolare il gap

\* Iridium IX Spark Plug is the standard recommendation





Stock No.

Quick No.

Upgrade ↑

Stock No. ↑

**POLARIS**

<b>800 STORM SKS EUROPEAN</b>	E965582	800	3	1996-		0.7	BR9ES	5722		BR9EIX	3981
<b>800 STORM SKS PDL TRK</b>	0950982	800	3	1995-		0.8	BR8ES	5422	Q207	BR8EIX	5044
<b>800 SWITCHBACK</b>	S04NS6ES	800	2	2004-		0.6	BR10EG	3830			
<b>800 SWITCHBACK</b>		800	2	2009-		0.6	BR10EG	3830			
<b>800 SWITCHBACK</b>		800	2	2010-		0.6	BR10EG	3830			
<b>800 SWITCHBACK</b>		800	2	2012-2013		0.7	BPR9ES	7788		BPR9EIX	6853
<b>800 SWITCHBACK</b>		800	2	2014-		0.7	BPR9ES	7788		BPR9EIX	6853
<b>800 SWITCHBACK ADVENTURE</b>		800	2	2014-		0.7	BPR9ES	7788		BPR9EIX	6853
<b>800 SWITCHBACK ASSAULT</b>		800	2	2011-		0.7	BPR9ES	7788		BPR9EIX	6853
<b>800 SWITCHBACK ASSAULT ALL OPTIONS</b>		800	2	2012-2013		0.7	BPR9ES	7788		BPR9EIX	6853
<b>800 SWITCHBACK ASSAULT ALL OPTIONS</b>		800	2	2014-		0.7	BPR9ES	7788		BPR9EIX	6853
<b>800 SWITCHBACK ES</b>		800	2	2010-		0.6	BR10EG	3830			
<b>800 SWITCHBACK ES</b>		800	2	2012-2013		0.7	BPR9ES	7788		BPR9EIX	6853
<b>800 SWITCHBACK ES</b>		800	2	2014-		0.7	BPR9ES	7788		BPR9EIX	6853
<b>800 SWITCHBACK EURO</b>		800	2	2009-		0.6	BR10EG	3830			
<b>800 SWITCHBACK F/O</b>	S05NS6ES	800	2	2005-		0.6	BR10EG	3830			
<b>800 SWITCHBACK INTL</b>		800	2	2011-		0.7	BPR9ES	7788		BPR9EIX	6853
<b>800 SWITCHBACK PRO R</b>		800	2	2014-		0.7	BPR9ES	7788		BPR9EIX	6853
<b>800 SWITCHBACK PRO-R</b>		800	2	2012-		0.7	BPR9ES	7788		BPR9EIX	6853
<b>800 SWITCHBACK PRO-R</b>		800	2	2013-		0.7	BPR9ES	7788		BPR9EIX	6853
<b>800 SWITCHBACK PRO R ES</b>		800	2	2014-		0.7	BPR9ES	7788		BPR9EIX	6853
<b>800 SWITCHBACK PRO-R ES</b>		800	2	2012-		0.7	BPR9ES	7788		BPR9EIX	6853
<b>800 SWITCHBACK PRO-R ES</b>		800	2	2013-		0.7	BPR9ES	7788		BPR9EIX	6853
<b>800 SWITCHBACK PRO R INT</b>		800	2	2014-		0.7	BPR9ES	7788		BPR9EIX	6853
<b>800 SWITCHBACK PRO-R INTL</b>		800	2	2013-		0.7	BPR9ES	7788		BPR9EIX	6853
<b>800 SWITCHBACK PRO-R INTL ALL OPTIONS</b>		800	2	2012-		0.7	BPR9ES	7788		BPR9EIX	6853
<b>800 SWITCHBACK PRO R LE ALL OPTIONS</b>		800	2	2014-		0.7	BPR9ES	7788		BPR9EIX	6853
<b>800 SWITCHBACK PRO-R LE ALL OPTIONS</b>		800	2	2013-		0.7	BPR9ES	7788		BPR9EIX	6853
<b>800 SWITCHBACK PRO-R RETRO</b>		800	2	2013-		0.7	BPR9ES	7788		BPR9EIX	6853
<b>800 SWITCHBACK PRO-R SC</b>		800	2	2012-		0.7	BPR9ES	7788		BPR9EIX	6853
<b>800 SWITCHBACK PRO-R SP</b>		800	2	2012-		0.7	BPR9ES	7788		BPR9EIX	6853
<b>800 XC EDGE F/O</b>	S03NP8CS	800	2	2003-		0.6	BR10EG	3830			
<b>800 XC EDGE F/O</b>	S04NP7CS	800	2	2004-		0.6	BR10EG	3830			
<b>800 XCR</b>	099AB8AS	800	3	1999-		0.7	BR9ES	5722		BR9EIX	3981
<b>800 XCR</b>	S00SB8AS	800	3	2000-2000		0.7	BR9ES	5722		BR9EIX	3981
<b>800 XCR</b>	S01SB8AS	800	3	2001-		0.7	BR9ES	5722		BR9EIX	3981
<b>800 XCR</b>	S02SB8AS	800	3	2002-		0.7	BR9ES	5722		BR9EIX	3981
<b>800 XCR</b>	S03SB8AS	800	3	2003-		0.7	BR9ES	5722		BR9EIX	3981
<b>800 XC SP</b>	S01NP8BSA	800	2	2001-		0.6	BR10EG	3830			

\*Bitte Elektrodenabstand nach Angaben des Herstellers justieren

\*Please adjust the ground electrode gap

\*Veuillez vérifier l'écartement

\* Por favor, ajustar la distancia entre los electrodos

\*Regolare il gap

\*\* Iridium IX Spark Plug is the standard recommendation





Stock No.

Quick No.

Upgrade ↑

Stock No. ↑

**POLARIS**

<b>800 XC SP</b>	S01NP8BSB	800	2	2001-		0.6	BR10EG	3830			
<b>800 XC SP</b>	S01NP8BSA	800	2	2001-		0.6	BR10EG	3830			
<b>800 XC SP EDGE</b>	S03NP8CSA/ S03NP8CSB	800	2	2003-		0.6	BR10EG	3830			
<b>800 XC SP EDGE M-10 F/O</b>	S03NE8CS	800	2	2003-		0.6	BR10EG	3830			
<b>800 XC SP EDGE M-10 F/O</b>	S03NF8CS	800	2	2003-		0.6	BR10EG	3830			
<b>800 XC SP EDGE X F/O</b>	S03NA8CS	800	2	2003-		0.6	BR10EG	3830			
<b>800 XC SP F/O</b>	S02NP8CS	800	2	2002-		0.6	BR10EG	3830			
<b>800 XC SP M-10 F/O</b>	S02NE8CS	800	2	2002-		0.6	BR10EG	3830			
<b>800 XC SP M-10 F/O</b>		800	2	2005-		0.6	BR10EG	3830			
<b>800 XC SP STOCK</b>	S02NP8CSB	800	2	2002-		0.6	BR10EG	3830			
<b>800 XC SP STOCK</b>	S02NP8CSA	800	2	2002-		0.6	BR10EG	3830			
<b>900 FU</b>		900	2	2006-		0.6	BR10EG	3830			
<b>900 FUSION</b>	S05MP8DS	900	2	2005-		0.6	BR10EG	3830			
<b>900 RMK</b>		900	2	2006-		0.6	BR10EG	3830			
<b>900 RMK ALL OPTIONS</b>	S05PL8/ S05PM8/S05PN8	900	2	2005-		0.6	BR10EG	3830			
<b>900 SWITCHBACK</b>	S05PS8DS	900	2	2005-		0.6	BR10EG	3830			
<b>900 SWITCHBACK</b>		900	2	2006-		0.6	BR10EG	3830			

**REDLINE**

<b>REVOLT</b>		800		2004-	6747 (US) 0,025"	0.6	BR8ES	5422	Q207	BR8EIX	5044
---------------	--	-----	--	-------	------------------	-----	-------	------	------	--------	------

**ROLL-O-FLEX**

<b>292 S</b>		292		-	YAMAHA	*	BR9EIX**	3981			
<b>292 Y</b>		292		-	YAMAHA	0.6	B8ES	2411	Q201	BR8EIX	5044
<b>338 S</b>		338		-	YAMAHA	*	BR9EIX**	3981			
<b>338 Y</b>		338		-	YAMAHA	0.6	B7HS	5110		BR7HIX	7067
<b>396 Y</b>		396		-	YAMAHA	0.6	B7HS	5110		BR7HIX	7067
<b>433 S</b>		433		-	YAMAHA	*	BR9EIX**	3981			
<b>433 Y</b>		433		-	YAMAHA	0.6	B7HS	5110		BR7HIX	7067

**RUPP**

<b>With CDI Systems</b>				-	14mm Thread Size / 19mm Thread Reach TOHATSU	*	BUE	2322			
<b>With CDI Systems</b>				-	14mm Thread Size / 12,7mm Thread Reach TOHATSU	*	BUHX	2522			
<b>TR-295</b>		294		-	TOHATSU	0.5	B8HS	5510		BR8HIX	7001
<b>TR-295S</b>		294		-	TOHATSU	0.5	B9HS	5810		BR9HIX	5687
<b>TR-340</b>		336		-	TOHATSU	0.5	B8HS	5510		BR8HIX	7001
<b>TR-340S</b>		336		-	TOHATSU	0.5	B9HS	5810		BR9HIX	5687
<b>TR-400S</b>		339		-	TOHATSU	0.5	B8HS	5510		BR8HIX	7001
<b>TR-440</b>		438		-	TOHATSU	0.5	B8HS	5510		BR8HIX	7001
<b>TR-440S</b>		438		-	TOHATSU	0.5	B9HS	5810		BR9HIX	5687
<b>TR-650</b>		644		-	TOHATSU	0.5	B9HS	5810		BR9HIX	5687
<b>TR-650S</b>		644		-	TOHATSU	0.5	B9HS	5810		BR9HIX	5687

**SACHS**

<b>SA 280</b>		277	1	-		0.5	AB-7	3010			
<b>SA 280A</b>		277	1	-		0.5	AB-7	3010			
<b>SA2-290</b>		291	1	-	14mm Thread Size / 19mm Thread Reach	0.5	B8ES	2411	Q201	BR8EIX	5044
<b>SA2-290</b>		291	1	-	14mm Thread Size / 12,7mm Thread Reach	0.5	B8HS	5510		BR8HIX	7001

\*Bitte Elektrodenabstand nach Angaben des Herstellers justieren

\*Please adjust the ground electrode gap

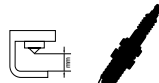
\*Veuillez vérifier l'écartement

\* Por favor, ajustar la distancia entre los electrodos

\*Regolare il gap

\* Iridium IX Spark Plug is the standard recommendation





Stock No.

Quick No.

Upgrade ↑

Stock No. ↑

**SACHS**

SA 290		293	1	-		0.5	AB-7	3010			
SA 290C		293	1	-		0.5	B8HS	5510		BR8HIX	7001
SA 290R		293	1	-		0.5	B8HS	5510		BR8HIX	7001
SA 290SS		293	1	-		0.5	B8HS	5510		BR8HIX	7001
KM 914		300		-		0.5	B7HS	5110		BR7HIX	7067
SA 320		318	1	-		0.5	AB-7	3010			
SA 340C		334	1	-		0.5	B8HS	5510		BR8HIX	7001
SA 340R		334	1	-		0.5	B8HS	5510		BR8HIX	7001
SA 340		336	1	-		0.5	AB-7	3010			
SA 340SS		336	1	-		0.5	AB-8	7909			
SA2-340		338	1	-	14mm Thread Size / 19mm Thread Reach	0.5	B8ES	2411	Q201	BR8EIX	5044
SA2-340		338	1	-	14mm Thread Size / 12,7mm Thread Reach	0.5	B8HS	5510		BR8HIX	7001
SA2-340C		338	1	-		0.5	B9ES	2611	Q202	BR9EIX	3981
SA2-340RX		338	1	-		0.5	B9ES	2611	Q202	BR9EIX	3981
SA 370		368	1	-		0.5	AB-7	3010			
SA 400		396		-		0.5	AB-8	7909			

**SCORPION**

295		290		-	CUYUNA	0.5	B8ES	2411	Q201	BR8EIX	5044
2F295-2		294	1978-		CUYUNA	0.5	B9ES	2611	Q202	BR9EIX	3981
2F295-2		294	1979-		CUYUNA	0.5	B7ES	1111		BR7EIX	6664
2F340-6		338	1979-		CUYUNA	0.5	BR7ES	5122		BR7EIX	6664
2F340-6		338	1980-		CUYUNA	0.5	B8ES	2411	Q201	BR8EIX	5044
2F340-6		338	1981-		CUYUNA	0.5	B7ES	1111		BR7EIX	6664
340		339	1980-		CUYUNA	0.5	B8ES	2411	Q201	BR8EIX	5044
400		339		-	CUYUNA	0.5	B8ES	2411	Q201	BR8EIX	5044
2F400-A		399		-	CUYUNA	0.5	B8ES	2411	Q201	BR8EIX	5044
2F440-A		428		-	CUYUNA	0.5	B8ES	2411	Q201	BR8EIX	5044
440		428		-	CUYUNA	0.5	B8ES	2411	Q201	BR8EIX	5044
AF44L3		436		-	SPIRIT SUZUKI	0.5	BR9ES	5722		BR9EIX	3981

**SKI-DOO / BOMBARDIER**

Mini Z		120	1	1998-2003		0.6	BPR6ES	7822		BPR6EIX	6637
250		247		-	14hp	0.5	AB-7	3010			
250		247		-	12hp	0.5	AB-6	2910			
250 Deluxe		247		-		0.5	B7HS	5110		BR7HIX	7067
250 SS		247		-		0.5	B8HS	5510		BR8HIX	7001
250T		247		-		0.5	B7HS	5110		BR7HIX	7067
247 Elan		250		-		0.5	AB-7	3010			
247 Spirit		250		-		0.5	AB-7	3010			
Citation L/S		253		-		0.5	BR9ES	5722		BR9EIX	3981
Tunda		253		-		0.5	BR9ES	5722		BR9EIX	3981
Tunda-LT		253		-		0.5	BR9ES	5722		BR9EIX	3981
Skandic Tundra LC		280		2003-2004		0.5	BR9ECS-5	6669		BR9ECSIX-5	6014
Tundra F		280	1	2004-		0.5	BR9ES	5722		BR9EIX	3981
300		299		-	12hp	0.5	AB-6	2910			
300S		299		-		0.5	AB-7	3010			
300 MX-Z300		300		-		0.5	BR9ES	5722		BR9EIX	3981
300 MX-Z300 Fan		300		-		0.5	BR9ES	5722		BR9EIX	3981
RV340		337	2	-		0.5	BR10EIX**	6801			
Sonic 340		337		-		0.5	BR10EIX**	6801			
TNT		337		-		0.5	BR10EIX**	6801			

\*Bitte Elektrodenabstand nach Angaben des Herstellers justieren

\*Please adjust the ground electrode gap

\*Veuillez vérifier l'écartement

\* Por favor, ajustar la distancia entre los electrodos

\*Regolare il gap

\*\*Iridium IX Spark Plug is the standard recommendation





Stock No.

Quick No.

Upgrade ↑

Stock No. ↑

**SKI-DOO / BOMBARDIER**

354 Blizzard 6500		339	3	-		0.5	BR10EIX**	6801			
354 Super Sonic		339		-		0.5	BR10EIX**	6801			
354 Super Sonic LC		339		-		0.5	BR10EIX**	6801			
TNT 340 Free Air		339	2	-		0.5	B9ES	2611	Q202	BR9EIX	3981
TNT 340SM		339	2	-		0.5	B8HS	5510		BR8HIX	7001
300 Touring 300		368		-		0.5	BR9ES	5722		BR9EIX	3981
300 Touring 300 Fan		368		-		0.5	BR9ES	5722		BR9EIX	3981
368 MX-Z380		368		-		0.5	BR9ES	5722		BR9EIX	3981
368 MX-Z380 Fan		368		-		0.5	BR9ES	5722		BR9EIX	3981
368 Touring 380		368		-		0.5	BR9ES	5722		BR9EIX	3981
368 Touring 380 Fan		368		-		0.5	BR9ES	5722		BR9EIX	3981
377 Safari Saga		368	2	-		0.5	BR9ES	5722		BR9EIX	3981
Formula S		368		-		0.5	BR9ES	5722		BR9EIX	3981
377 Touring E		377		-		0.4	BR9ES	5722		BR9EIX	3981
377 Touring ELT		377		-		0.4	BR9ES	5722		BR9EIX	3981
380 Formula Deluxe 380		377		-		0.4	BR9ES	5722		BR9EIX	3981
380 Scandic 380		380		-		0.4	BR9ES	5722		BR9EIX	3981
Legend Fan	F	380	2	2004-		0.5	BR9ES	5722		BR9EIX	3981
Legend Fan GT	F	380	2	2004-		0.5	BR9ES	5722		BR9EIX	3981
MXZ Fan	F	380	2	2004-		0.5	BR9ES	5722		BR9EIX	3981
400 MX-Z400		400		-		0.5	BR9ES	5722		BR9EIX	3981
400 MX-Z400 Fan		400		-		0.5	BR9ES	5722		BR9EIX	3981
440 MX-Z 440		436		-		0.4	BR9ES	5722		BR9EIX	3981
440 MX-Z 440 F		436		-		0.4	BR9ES	5722		BR9EIX	3981
444 Elite		436	2	-		0.5	B8ES	2411	Q201	BR8EIX	5044
444 LC Everest		436	2	-		0.5	B8ES	2411	Q201	BR8EIX	5044
444 LC Futura		436		-		0.5	B8ES	2411	Q201	BR8EIX	5044
440 Skandic LC		437	2	-		0.5	BR9ES	5722		BR9EIX	3981
440 Skandic LT440		437	2	-		0.5	BR9ES	5722		BR9EIX	3981
447 Grand Luxe		437		-		0.5	BR8ES	5422	Q207	BR8EIX	5044
454 Blizzard 9500		437	2	-		0.5	BR10EIX**	6801			
454 Blizzard 9500 Plus		437	2	-		0.5	BR10EIX**	6801			
TNT 440 Free Air		437	2	-	18mm Thread Size / 12mm Thread Reach	0.5	AB-7	3010			
TNT 440 Free Air		437	2	-	14mm Thread Size / 19mm Thread Reach	0.5	B9ES	2611	Q202	BR9EIX	3981
440		440		2004-		0.5	BR9ECS-5	6669		BR9ECSIX-5	6014
MXZ 440 X Racing		440	2	2005-2005		0.8	BR9ECS	4677		BR9ECSIX	5438
MXZ 440 X Racing		440	2	2007-2007		0.8	BR9ECS	4677		BR9ECSIX	5438
Skandic LT	F	440	2	2004-		0.5	BR9ES	5722		BR9EIX	3981
Touring LE		440		-		0.4	BR9ES	5722		BR9EIX	3981
447 Safari 1986		447	2	-		0.5	BR9ES	5722		BR9EIX	3981
454 Ultra Sonic		463		-		0.5	BR10EIX**	6801			
Formula SLS		494		-		0.5	BR9ES	5722		BR9EIX	3981
Skandic WT LC		494		-		0.5	BR8ES	5422	Q207	BR8EIX	5044
Summit 500		494		-		0.5	BR9ES	5722		BR9EIX	3981
467 Formula LT		496	2	-		0.5	BR9ES	5722		BR9EIX	3981
467 Formula MX		496	2	-		0.5	BR9ES	5722		BR9EIX	3981
503 Alpine II		496	2	-		0.5	BR8ES	5422	Q207	BR8EIX	5044
503 Safari Cheyenne		497	2	-		0.5	BR9ES	5722		BR9EIX	3981
503 Safari Escapade		497	2	-		0.5	BR9ES	5722		BR9EIX	3981
503 Sonic MX 1983		497		-		0.5	BR7ES	5122		BR7EIX	6664
Formula Deluxe		497	2	-		0.4	BR9ES	5722		BR9EIX	3981

\*Bitte Elektrodenabstand nach Angaben des Herstellers justieren

\*Please adjust the ground electrode gap

\*Veuillez vérifier l'écartement

\* Por favor, ajustar la distancia entre los electrodos

\*Regolare il gap

\* Iridium IX Spark Plug is the standard recommendation





Stock No.

Quick No.

Upgrade ↑

Stock No. ↑

**SKI-DOO / BOMBARDIER**

Formula Deluxe Fan		497	2	-		0.4	BR9ES	5722		BR9EIX	3981
Formula Deluxe LC		497	2	-		0.4	BR9ES	5722		BR9EIX	3981
Scandic LC		497		-		0.4	BR9ES	5722		BR9EIX	3981
Scandic SWT		497		-		0.4	BR9ES	5722		BR9EIX	3981
Scandic WT		497		-		0.4	BR9ES	5722		BR9EIX	3981
Summit Fun		497		-		0.5	BR9ES	5722		BR9EIX	3981
Touring Fan		497		-		0.5	BR9ES	5722		BR9EIX	3981
500 Formula Z		499	2	-		0.4	BR9ES	5722		BR9EIX	3981
500 Grand Touring		499		-		0.4	BR9ES	5722		BR9EIX	3981
MXZ 500 Trail		499		-		0.4	BR9ES	5722		BR9EIX	3981
MXZ 500 Trail Fan		499		-		0.4	BR9ES	5722		BR9EIX	3981
Grand Touring LC		500	2	2002-2002		0.5	BR9ECS-5	6669		BR9ECSIX-5	6014
GSX		500	2	2004-2007		0.5	BR9ECS-5	6669		BR9ECSIX-5	6014
GSX 500 SS		500	2	-2009		0.8	BR10ECS	5880			
GSX Sport	SS	500	2	2004-		0.5	BR9ECS-5	6669		BR9ECSIX-5	6014
GSX Sport 1+1	SS	500	2	2004-		0.5	BR9ECS-5	6669		BR9ECSIX-5	6014
GTX		500	2	2005-2007		0.8	BR9ECS	4677		BR9ECSIX	5438
Legend LC		500	2	2002-2004		0.5	BR9ECS-5	6669		BR9ECSIX-5	6014
Legend Sport	SS	500	2	2004-		0.5	BR9ECS-5	6669		BR9ECSIX-5	6014
MXZ		500	2	2005-2007		0.8	BR9ECS	4677		BR9ECSIX	5438
MXZ 500 Adrenaline	SS	500	2	2004-		0.5	BR9ECS-5	6669		BR9ECSIX-5	6014
MXZ 500 Trail	SS	500	2	2004-		0.5	BR9ECS-5	6669		BR9ECSIX-5	6014
MXZ LC		500	2	2002-2004		0.5	BR9ECS-5	6669		BR9ECSIX-5	6014
MXZ Trail 500 SS		500	2	2007-2008		0.8	BR9ECS	3570		BR9ECSIX	5438
Skandic		500		-		0.4	BR9ES	5722		BR9EIX	3981
Skandic LC		500	2	2002-2003		0.5	BR9ECS-5	6669		BR9ECSIX-5	6014
Skandic SWT		500		-		0.4	BR9ES	5722		BR9EIX	3981
Skandic WT		500		-		0.4	BR9ES	5722		BR9EIX	3981
Skandic WT LC		500		-		0.4	BR9ES	5722		BR9EIX	3981
Sport GT	SS	500	2	2004-		0.5	BR9ECS-5	6669		BR9ECSIX-5	6014
503 Formula SL		503	2	-		0.5	BR9ES	5722		BR9EIX	3981
536 Formula Plus		521	2	-		0.5	BR9ES	5722		BR9EIX	3981
536 Formula Plus LT		521	2	-		0.5	BR9ES	5722		BR9EIX	3981
Expedition		550	2	2005-2006		0.5	BR9ECS-5	6669		BR9ECSIX-5	6014
Expedition		550	2	2009-2012		0.5	BR9ECS-5	6669		BR9ECSIX-5	6014
Expedition Sport 550F		550	2	2011-		0.5	BR9ECS-5	6669		BR9ECSIX-5	6014
Expedition Sport 550 F XP		550	2	2013-2014		0.5	BR9ECS-5	6669		BR9ECSIX-5	6014
Grand Touring 550F		550	2	2010-2015		0.5	BR9ECS-5	6669		BR9ECSIX-5	6014
Grand Touring 550 F Sport		550	2	2010-2012		0.5	BR9ECS-5	6669		BR9ECSIX-5	6014
Grand Touring Sport 550 F XP		550	2	2013-2014		0.5	BR9ECS-5	6669		BR9ECSIX-5	6014
GSX		550	2	2005-2006		0.5	BR9ECS-5	6669		BR9ECSIX-5	6014
GSX 550F		550	2	-2010		0.5	BR9ECS-5	6669		BR9ECSIX-5	6014
GTX		550	2	2005-2005		0.5	BR9ECS-5	6669		BR9ECSIX-5	6014
Legend Fan	F	550	2	2004-		0.5	BR9ES	5722		BR9EIX	3981
Legend Fan GT	F	550	2	2004-		0.5	BR9ES	5722		BR9EIX	3981
MXZ 550F Sport		550	2	2010-2012		0.5	BR9ECS-5	6669		BR9ECSIX-5	6014
MXZ 550F Sport		550	2	2011-2014		0.5	BR9ECS-5	6669		BR9ECSIX-5	6014
MXZ 550F TNT		550	2	2010-2012		0.5	BR9ECS-5	6669		BR9ECSIX-5	6014
MXZ 550F TNT		550	2	2010-2011		0.5	BR9ECS-5	6669		BR9ECSIX-5	6014
MXZ Fan	F	550	2	2004-		0.5	BR9ES	5722		BR9EIX	3981
MXZ Sport 550 F XP		550	2	2013-2014		0.5	BR9ECS-5	6669		BR9ECSIX-5	6014

\* Bitte Elektrodenabstand nach Angaben des Herstellers justieren

\* Please adjust the ground electrode gap

\* Veuillez vérifier l'écartement

\* Por favor, ajustar la distancia entre los electrodos

\* Regolare il gap

\*\* Iridium IX Spark Plug is the standard recommendation





Stock No.

Quick No.

Upgrade ↑

Stock No. ↑

**SKI-DOO / BOMBARDIER**

Renegade 550 F		550	2	2010-2013		0.5	BR9ECS-5	6669		BR9ECSIX-5	6014
Renegade Sport 550F		550	2	2010-2014		0.5	BR9ECS-5	6669		BR9ECSIX-5	6014
Renegade Sport 550 F XP		550	2	2010-2013		0.5	BR9ECS-5	6669		BR9ECSIX-5	6014
Skandic 550F		550	2	2009-2011		0.5	BR9ES	5722		BR9EIX	3981
Skandic 550F		550	2	2012-		0.5	BR9ECS-5	6669		BR9ECSIX-5	6014
Skandic Sport	F	550	2	2004-		0.5	BR9ES	5722		BR9EIX	3981
Skandic Sport SUV	F	550	2	2004-		0.5	BR9ES	5722		BR9EIX	3981
Skandic Sport SWT	F	550	2	2004-		0.5	BR9ES	5722		BR9EIX	3981
Skandic Sport WT	F	550	2	2004-		0.5	BR9ES	5722		BR9EIX	3981
Skandic WT 550 F XU		550	2	2012-2014		0.5	BR9ECS-5	6669		BR9ECSIX-5	6014
Summit		550	2	2005-2005		0.5	BR9ECS-5	6669		BR9ECSIX-5	6014
Summit Fan	F	550	2	2004-		0.5	BR9ES	5722		BR9EIX	3981
Tundra 550F		550	2	2011-		0.5	BR9ECS-5	6669		BR9ECSIX-5	6014
Tundra LT 550 F XP		550	2	2012-2013		0.5	BR9ECS-5	6669		BR9ECSIX-5	6014
Tundra LTS		550	2	2012-2013		0.5	BR9ECS-5	6669		BR9ECSIX-5	6014
Tundra Sport		550	2	2012-2013		0.5	BR9ECS-5	6669		BR9ECSIX-5	6014
Tundra STD		550	2	2012-2013		0.5	BR9ECS-5	6669		BR9ECSIX-5	6014
583 Formula Deluxe		581	2	-		0.4	BR9ES	5722		BR9EIX	3981
Grand Touring		581		-		0.5	BR9ES	5722		BR9EIX	3981
Summit		583		-		0.5	BR9ES	5722		BR9EIX	3981
Formula III		599	2	-		0.5	BR10ES	4832		BR10EIX	6801
Formula III LT		599	2	-		0.5	BR10ES	4832		BR10EIX	6801
Ace		600	2	2012-		0.8	MR7BI-8	90982			
Expedition		600	2	2005-2005		0.8	BR9ECS	4677		BR9ECSIX	5438
Expedition		600	2	2006-		0.8	BR8ECS	3972		BR8EIX	5044
Expedition LE 600 HO E-TEC		600	2	2011-		0.7	PZFR6F	7550			
Expedition SE 600 HO E-TEC		600	2	2011-		0.7	PZFR6F	7550			
Expedition Sport 600 ACE		600	2	2011-2011		0.8	CR7EB	4663			
Expedition Sport 600 ACE		600	2	2012-		0.8	MR7BI-8	90982			
Formula Delux		600	2	-		0.5	BR9ES	5722		BR9EIX	3981
Formula III		600	2	-		0.5	BR10ES	4832		BR10EIX	6801
Formula Z		600		-		0.5	BR9ES	5722		BR9EIX	3981
Grand Touring		600		-		0.5	BR9ES	5722		BR9EIX	3981
Grand Touring		600	2	2002-2003		0.5	BR9ECS-5	6669		BR9ECSIX-5	6014
Grand Touring 600 ACE		600	2	2011-2011		0.8	CR7EB	4663			
Grand Touring 600 ACE		600	2	2012-		0.8	MR7BI-8	90982			
Grand Touring 600HO E-TEC		600	2	2010-2012		0.7	PZFR6F	7550			
Grand Touring 600HO E-TEC		600	2	2013-		0.7	PZFR6F	7550			
Grand Touring 600 Sport		600	2	2010-2011		0.8	BR10ECS	5880			
Grand Touring 600 Sport		600	2	2012-2014		0.8	BR9ECS	4677		BR9ECSIX	5438
Grand Touring SE		600		-		0.5	BR9ES	5722		BR9EIX	3981
Grand Touring Sport 600 XP		600	2	2012-2013		0.8	BR9ECS	3570		BR9ECSIX	5438
G SX		600	2	2004-2005		0.5	BR9ECS-5	6669		BR9ECSIX-5	6014
G SX 600HO E-TEC		600	2	-2009		0.7	PZFR6F	7550			
G SX 600HO E-TEC		600	2	2010-2012		0.7	PZFR6F	7550			
G SX 600HO E-TEC		600	2	2013-2015		0.7	PZFR6F	7550			
G SX 600 Sport		600	2	-2010		0.8	BR10ECS	5880			

\* Bitte Elektrodenabstand nach Angaben des Herstellers justieren

\* Please adjust the ground electrode gap

\* Veuillez vérifier l'écartement

\* Por favor, ajustar la distancia entre los electrodos

\* Regolare il gap

\* Iridium IX Spark Plug is the standard recommendation







Stock No.

Quick No.

Upgrade ↑

Stock No. ↑

**SKI-DOO / BOMBARDIER**

<b>GSX Limited</b>		600	2	2004-		0.5	BR9ECS-5	6669		BR9ECSIX-5	6014
<b>GSX Limited 1+1</b>		600	2	2004-		0.5	BR9ECS-5	6669		BR9ECSIX-5	6014
<b>GSX LTD</b>		600	2	2009-		0.8	PZFR6F	7550			
<b>GSX SDI</b>		600	2	2006-		0.8	BR8ECS	3972		BR8EIX	5044
<b>GSX Sport</b>		600	2	2004-		0.5	BR9ECS-5	6669		BR9ECSIX-5	6014
<b>GSX Sport 1+1</b>		600	2	2004-		0.5	BR9ECS-5	6669		BR9ECSIX-5	6014
<b>GTX</b>		600	2	2005-2005		0.5	BR9ECS-5	6669		BR9ECSIX-5	6014
<b>Legend</b>		600	2	2002-2004		0.5	BR9ECS-5	6669		BR9ECSIX-5	6014
<b>Legend SE</b>		600	2	2004-		0.5	BR9ECS-5	6669		BR9ECSIX-5	6014
<b>Legend SE GT</b>		600	2	2004-		0.5	BR9ECS-5	6669		BR9ECSIX-5	6014
<b>Legend Sport</b>		600	2	2004-		0.5	BR9ECS-5	6669		BR9ECSIX-5	6014
<b>Legend Sport GT</b>		600	2	2004-		0.5	BR9ECS-5	6669		BR9ECSIX-5	6014
<b>MKZ 600 RS</b>		600	2	2009-2009		0.8	BR9ECS	3570		BR9ECSIX	5438
<b>MKZ 600 XP</b>		600	2	2008-		0.8	PZFR6F	7550			
<b>MKZ 600 XR</b>		600	2	2008-		0.8	PZFR6F	7550			
<b>MKZ 600 XU</b>		600	2	2008-		0.8	PZFR6F	7550			
<b>MXZ 600</b>		600	2	2002-2005		0.5	BR9ECS-5	6669		BR9ECSIX-5	6014
<b>MXZ 600 50TH</b>		600	2	2009-		0.8	PZFR6F	7550			
<b>MXZ 600 ACE</b>		600	2	2011-2011		0.8	CR7EB	4663			
<b>MXZ 600 ACE</b>		600	2	2012-		0.8	MR7BI-8	90982			
<b>MXZ 600 Adrenaline</b>		600	2	2004-		0.5	BR9ECS-5	6669		BR9ECSIX-5	6014
<b>MXZ 600 Adrenaline</b>		600	2	2006-2006		0.5	BR9ECS-5	6669		BR9ECSIX-5	6014
<b>MXZ 600 Adrenaline</b>		600	2	2007-2008		0.8	BR9ECS	4677		BR9ECSIX	5438
<b>MXZ 600 Adrenaline</b>		600	2	2009-		0.8	PZFR6F	7550			
<b>MXZ 600 Adrenaline</b>		600	2	2004-		0.5	BR9ECS-5	6669		BR9ECSIX-5	6014
<b>MXZ 600 HO E-TEC</b>		600	2	2016-2017		0.7	PZFR6F	7550			
<b>MXZ 600 HO E-TEC Adrenaline</b>		600	2	-2010		0.7	PZFR6F	7550			
<b>MXZ 600 HO E-TEC Adrenaline</b>		600	2	-2009		0.7	PZFR6F	7550			
<b>MXZ 600 HO E-TEC Blizzard</b>		600	2	2018-		0.7	PZFR6F	7550			
<b>MXZ 600 HO E-TEC TNT</b>		600	2	-2009		0.7	PZFR6F	7550			
<b>MXZ 600 HO E-TEC TNT</b>		600	2	2011-2012		0.7	PZFR6F	7550			
<b>MXZ 600 HO E-TEC TNT</b>		600	2	2013-2015		0.7	PZFR6F	7550			
<b>MXZ 600 HO E-TEC TNT</b>		600	2	2018-		0.7	PZFR6F	7550			
<b>MXZ 600 HO E-TEC X</b>		600	2	-2009		0.7	PZFR6F	7550			
<b>MXZ 600 HO E-TEC X</b>		600	2	2010-2012		0.7	PZFR6F	7550			
<b>MXZ 600 HO E-TEC X</b>		600	2	2013-2015		0.7	PZFR6F	7550			
<b>MXZ 600 HO E-TEC X</b>		600	2	2018-		0.7	PZFR6F	7550			
<b>MXZ 600 HO E-TEC XRS</b>		600	2	2010-2012		0.7	PZFR6F	7550			
<b>MXZ 600 HO E-TEC XRS</b>		600	2	2013-2015		0.7	PZFR6F	7550			
<b>MXZ 600 HO E-TEC XRS</b>		600	2	2018-		0.7	PZFR6F	7550			
<b>MXZ 600 Iron Dog</b>		600	2	2015-2015		0.7	PZFR6F	7550			
<b>MXZ 600 Renegade</b>		600	2	2004-		0.5	BR9ECS-5	6669		BR9ECSIX-5	6014
<b>MXZ 600 Renegade</b>		600	2	2006-2006		0.5	BR9ECS-5	6669		BR9ECSIX-5	6014
<b>MXZ 600 Renegade</b>		600	2	2004-		0.5	BR9ECS-5	6669		BR9ECSIX-5	6014
<b>MXZ 600 SDI</b>		600	2	2006-		0.8	BR8ECS	3972		BR8EIX	5044
<b>MXZ 600 Sport</b>		600	2	2010-2011		0.8	BR10ECS	5880			
<b>MXZ 600 Sport</b>		600	2	2012-2015		0.8	BR9ECS	4677		BR9ECSIX	5438
<b>MXZ 600 Sport XP</b>		600	2	2013-2013		0.5	BR9ECS-5	6669		BR9ECSIX-5	6014

\*Bitte Elektrodenabstand nach Angaben des Herstellers justieren

\*Please adjust the ground electrode gap

\*Veuillez vérifier l'écartement

\* Por favor, ajustar la distancia entre los electrodos

\*Regolare il gap

\*\* Iridium IX Spark Plug is the standard recommendation





Stock No.

Quick No.

Upgrade ↑

Stock No. ↑

**SKI-DOO / BOMBARDIER**

MXZ 600 TNT	600	2	2009-	0.8	PZFR6F	7550			
MXZ 600 TNT	600	2	2010-2011	0.8	BR10ECS	5880			
MXZ 600 Trail	600		-	0.5	BR9ES	5722		BR9EIX	3981
MXZ 600 X	600	2	2004-	0.5	BR9ECS-5	6669		BR9ECSIX-5	6014
MXZ 600 X	600	2	2009-	0.8	PZFR6F	7550			
MXZ Sport 600 REV-XP	600	2	2014-2014	0.8	BR9ECS	3570		BR9ECSIX	5438
MXZ Sport 600 XP	600	2	2012-2012	0.8	BR9ECS	4677		BR9ECSIX	5438
MXZ TNT	600	2	2012-2012	0.8	BR9ECS	4677		BR9ECSIX	5438
MXZ X 600 R E-TEC	600	2	2018-	0.7	ILKR8Q7	93819			
MXZ X 600 RS	600	2	-2009	0.5	BR9ECS-5	6669		BR9ECSIX-5	6014
MXZ X 600 RS	600	2	2009-2012	0.5	BR9ECS-5	6669		BR9ECSIX-5	6014
MXZ X 600 RS	600	2	2011-2017	0.5	BR9ECS-5	6669		BR9ECSIX-5	6014
MXZ X 600 RS	600	2	2018-	0.6	ILKR9Q7G	97312			
MXZ X 600 RS XP	600	2	2013-2013	0.5	BR9ECS-5	6669		BR9ECSIX-5	6014
MXZ X 600 RS XS RS	600	2	2014-2014	0.5	BR9ECS-5	6669		BR9ECSIX-5	6014
Renegade 600 ACE	600	2	2012-	0.8	CR7EB	4663			
Renegade 600 ACE	600	2	2012-	0.8	MR7BI-8	90982			
Renegade 600 CARB	600	2	2016-	0.8	BR9ECS	3570		BR9ECSIX	5438
Renegade 600HO E-TEC	600	2	2016-	0.7	PZFR6F	7550			
Renegade Adrenaline 600 HO E-TEC	600	2	2010-2012	0.7	PZFR6F	7550			
Renegade Adrenaline 600 HO E-TEC	600	2	2013-2015	0.7	PZFR6F	7550			
Renegade Backcountry 600 HO E-TEC	600	2	2010-2012	0.7	PZFR6F	7550			
Renegade Backcountry 600 HO E-TEC	600	2	2013-2015	0.7	PZFR6F	7550			
Renegade Backcountry X 600 HO E-TEC	600	2	2011-2012	0.7	PZFR6F	7550			
Renegade Backcountry X 600 HO E-TEC	600	2	2013-2015	0.7	PZFR6F	7550			
Renegade Sport 600	600	2	2015-2015	0.8	BR9ECS	3570		BR9ECSIX	5438
Renegade X 600 HO E-TEC	600	2	2010-2012	0.7	PZFR6F	7550			
Renegade X 600 HO E-TEC	600	2	2013-2015	0.7	PZFR6F	7550			
Skandic	600	2	2002-2005	0.5	BR9ECS-5	6669		BR9ECSIX-5	6014
Skandic 600 ACE	600	2	2011-2011	0.8	CR7EB	4663			
Skandic 600 ACE	600	2	2012-	0.8	MR7BI-8	90982			
Skandic 600 HO E-TEC	600	2	2011-2017	0.7	PZFR6F	7550			
Skandic 600 HO E-TEC	600	2	2018-	0.7	PZFR6F	7550			
Skandic SUV	600	2	2004-	0.5	BR9ECS-5	6669		BR9ECSIX-5	6014
Skandic SUV	600	2	2006-2008	0.8	BR9ECS	4677		BR9ECSIX	5438
Skandic WT	600	2	2006-2009	0.8	BR9ECS	4677		BR9ECSIX	5438
Skandic WT LC	600	2	2004-	0.5	BR9ECS-5	6669		BR9ECSIX-5	6014
Summit	600	2	2002-2005	0.5	BR9ECS-5	6669		BR9ECSIX-5	6014
Summit	600	2	2006-	0.8	BR8ECS	3972		BR8EIX	5044
Summit 600 CARB	600	2	2016-	0.8	BR9ECS	3570		BR9ECSIX	5438
Summit 600 HO	600	2	2005-2005	0.8	BR9ECS	4677		BR9ECSIX	5438
Summit 600 HO E-TEC	600	2	2010-2012	0.7	PZFR6F	7550			
Summit 600 HO E-TEC	600	2	2013-	0.7	PZFR6F	7550			
Summit 600 HO E-TEC Everest	600	2	2010-2011	0.7	PZFR6F	7550			
Summit 600 Sport	600	2	2010-2011	*	BR10ECS	5880			
Summit 600 Sport	600	2	2012-2015	0.8	BR9ECS	3570		BR9ECSIX	5438
Summit Adren	600	2	2004-	0.5	BR9ECS-5	6669		BR9ECSIX-5	6014
Summit Adren X	600	2	2004-	0.5	BR9ECS-5	6669		BR9ECSIX-5	6014

\*Bitte Elektrodenabstand nach Angaben des Herstellers justieren

\*Please adjust the ground electrode gap

\*Veuillez vérifier l'écartement

\* Por favor, ajustar la distancia entre los electrodos

\*Regolare il gap

\*Iridium IX Spark Plug is the standard recommendation





Stock No.

Quick No.

Upgrade ↑

Stock No. ↑

**SKI-DOO / BOMBARDIER**

Summit Everest		600	2	2009-		0.8	PZFR6F	7550			
Summit Everest X		600	2	2009-		0.8	PZFR6F	7550			
Summit Sport 600		600	2	2012-2014		0.8	BR9ECS	4677		BR9ECSIX	5438
Tundra 600 ACE		600	2	2011-2011		0.8	CR7EB	4663			
Tundra 600 ACE		600	2	2012-		0.8	MR7BI-8	90982			
Tundra 600 HO-E-TEC		600	2	2011-2012		0.7	PZFR6F	7550			
Tundra 600 HO-E-TEC		600	2	2013-		0.7	PZFR6F	7550			
640 ER Alpine		635	2	-		0.5	B7HS	5110		BR7HIX	7067
670 MX-Z H.O.		669		-		0.4	BR9ES	5722		BR9EIX	3981
670 Formula SS		670		-		0.5	BR9ES	5722		BR9EIX	3981
670 Formula Z		670		-		0.5	BR9ES	5722		BR9EIX	3981
Mach 1		670		-		0.5	BR10ES	4832		BR10EIX	6801
Summit		670		-		0.5	BR9ES	5722		BR9EIX	3981
Summit X		670		-		0.5	BR9ES	5722		BR9EIX	3981
700 Grand Touring		699		-		0.5	BR9ES	5722		BR9EIX	3981
Formula Z 600		699		-		0.5	BR9ES	5722		BR9EIX	3981
Mach 1		699		-		0.4	BR10ES	4832		BR10EIX	6801
MXZ 700 / Trail 700		699		-		0.5	BR9ES	5722		BR9EIX	3981
Grand Touring		700	2	2002-2003		0.5	BR9ECS-5	6669		BR9ECSIX-5	6014
Legend		700	2	2002-2004		0.5	BR9ECS-5	6669		BR9ECSIX-5	6014
Legend SE		700	2	2004-		0.5	BR9ECS-5	6669		BR9ECSIX-5	6014
Legend SE GT		700	2	2004-		0.5	BR9ECS-5	6669		BR9ECSIX-5	6014
Legend Sport		700	2	2004-		0.5	BR9ECS-5	6669		BR9ECSIX-5	6014
Legend Sport GT		700	2	2004-		0.5	BR9ECS-5	6669		BR9ECSIX-5	6014
MXZ		700	2	2002-2003		0.5	BR9ECS-5	6669		BR9ECSIX-5	6014
Summit		700	2	2002-2003		0.5	BR9ECS-5	6669		BR9ECSIX-5	6014
Grand Touring SE		765		-		0.5	BR9ES	5722		BR9EIX	3981
Mach Z		765		-		0.5	BR9ES	5722		BR9EIX	3981
MX2600		765		-		0.5	BR9ES	5722		BR9EIX	3981
MX2700		765		-		0.5	BR9ES	5722		BR9EIX	3981
Skandic WT LC		765		-		0.5	BR9ES	5722		BR9EIX	3981
Summit 700		765		-		0.5	BR9ES	5722		BR9EIX	3981
Mach Z		779		-		0.5	BR10ES	4832		BR10EIX	6801
Mach ZLT		779		-		0.5	BR10ES	4832		BR10EIX	6801
Grand Touring SE		796		-		0.5	BR9ES	5722		BR9EIX	3981
Mach Z800		796		-		0.5	BR9ES	5722		BR9EIX	3981
Grand Touring SE		798		-		0.5	BR10ES	4832		BR10EIX	6801
Expedition XTREME 800R E-TEC		800	2	2016-	US-Version	0.7	IFR8AG8	97775			
Expedition XTREME 800R E-TEC		800	2	2016-	EU-Version	0.7	PFR7AB	93322			
Freeride 800R E-TEC		800	2	2012-2017	US-Version	0.7	IFR8AG8	97775			
Freeride 800R E-TEC		800	2	2012-2017	EU-Version	0.7	PFR7AB	93322			
Grand Touring SE		800	2	2002-2003		0.5	BR9ECS-5	6669		BR9ECSIX-5	6014
GSX		800	2	2004-2004		0.5	BR9ECS-5	6669		BR9ECSIX-5	6014
GSX		800	2	2005-2008		0.8	BR9ECS	4677		BR9ECSIX	5438
GSX 800R E-TEC		800	2	2012-2015	US-Version	0.7	IFR8AG8	97775			
GSX 800R E-TEC		800	2	2012-2015	EU-Version	0.7	PFR7AB	93322			
GSX Limited		800	2	2004-		0.5	BR9ECS-5	6669		BR9ECSIX-5	6014
GSX Limited 1+1		800	2	2004-		0.5	BR9ECS-5	6669		BR9ECSIX-5	6014
GTX		800	2	2005-2007		0.8	BR9ECS	4677		BR9ECSIX	5438
Legend 800		800	2	2002-2004		0.5	BR9ECS-5	6669		BR9ECSIX-5	6014
Mach Z		800	3	2003-2004		0.5	BR9ECS-5	6669		BR9ECSIX-5	6014

\* Bitte Elektrodenabstand nach Angaben des Herstellers justieren

\* Please adjust the ground electrode gap

\* Veuillez vérifier l'écartement

\* Por favor, ajustar la distancia entre los electrodos

\* Regolare il gap

\*\* Iridium IX Spark Plug is the standard recommendation





Stock No.

Quick No.

Upgrade ↑

Stock No. ↑

**SKI-DOO / BOMBARDIER**

<b>MXZ</b>		800	2	2002-2004		0.5	BR9ECS-5	6669		BR9ECSIX-5	6014
<b>MXZ</b>		800	2	2005-2009		0.8	BR9ECS	4677		BR9ECSIX	5438
<b>MXZ 800 Adrenaline</b>		800	2	2004-		0.5	BR9ECS-5	6669		BR9ECSIX-5	6014
<b>MXZ 800 R Adrenaline</b>		800	2	2009-2010		0.8	BR9ECS	4677		BR9ECSIX	5438
<b>MXZ 800 R Adrenaline X</b>		800	2	2009-2010		0.8	BR9ECS	4677		BR9ECSIX	5438
<b>MXZ 800 R Adrenaline X-RS</b>		800	2	2009-2010		0.8	BR9ECS	4677		BR9ECSIX	5438
<b>MXZ 800 Renegade</b>		800	2	2009-2009		0.8	BR9ECS	4677		BR9ECSIX	5438
<b>MXZ 800 Renegade</b>		800	2	2004-		0.5	BR9ECS-5	6669		BR9ECSIX-5	6014
<b>MXZ 800R E-TEC</b>		800	2	2016-2017	US-Version	0.7	IFR8AG8	97775			
<b>MXZ 800R E-TEC</b>		800	2	2016-2017	EU-Version	0.7	PFR7AB	93322			
<b>MXZ 800R E-TEC TNT</b>		800	2	2011-2015	US-Version	0.7	IFR8AG8	97775			
<b>MXZ 800R E-TEC TNT</b>		800	2	2011-2015	EU-Version	0.7	PFR7AB	93322			
<b>MXZ 800R E-TEC X</b>		800	2	2010-2015	US-Version	0.7	IFR8AG8	97775			
<b>MXZ 800R E-TEC X</b>		800	2	2010-2015	EU-Version	0.7	PFR7AB	93322			
<b>MXZ 800R E-TEC XRS</b>		800	2	2011-2015	US-Version	0.7	IFR8AG8	97775			
<b>MXZ 800R E-TEC XRS</b>		800	2	2011-2015	EU-Version	0.7	PFR7AB	93322			
<b>MXZ 800R Iron Dog</b>		800	2	-2015	US-Version	0.7	IFR8AG8	97775			
<b>MXZ 800R Iron Dog</b>		800	2	-2015	EU-Version	0.7	PFR7AB	93322			
<b>MXZ 800R P-TEC Adrenaline</b>		800	2	2009-2010		0.8	BR9ECS	3570		BR9ECSIX	5438
<b>MXZ 800R P-TEC TNT</b>		800	2	2010-2011		0.8	BR9ECS	3570		BR9ECSIX	5438
<b>MXZ 800R P-TEC X</b>		800	2	2009-2010		0.8	BR9ECS	3570		BR9ECSIX	5438
<b>MXZ 800R P-TEC XRS</b>		800	2	-2010		0.8	BR9ECS	3570		BR9ECSIX	5438
<b>MXZ 800 X</b>		800	2	2004-		0.5	BR9ECS-5	6669		BR9ECSIX-5	6014
<b>Renegade 800</b>		800	2	2010-2010		0.8	BR9ECS	4677		BR9ECSIX	5438
<b>Renegade 800R E-TEC</b>		800	2	2016-	EU-Version	0.7	PFR7AB	93322			
<b>Renegade 800R E-TEC</b>		800	2	2018-	US-Version	0.7	IFR8AG8	97775			
<b>Renegade Adrenaline 800R E-TEC</b>		800	2	2011-2015	US-Version	0.7	IFR8AG8	97775			
<b>Renegade Adrenaline 800R E-TEC</b>		800	2	2011-2015	EU-Version	0.7	PFR7AB	93322			
<b>Renegade Adrenaline 800R P-TEC</b>		800	2	2010-2011		0.8	BR9ECS	3570		BR9ECSIX	5438
<b>Renegade Backcountry 800R E-TEC</b>		800	2	2011-2015	US-Version	0.7	IFR8AG8	97775			
<b>Renegade Backcountry 800R E-TEC</b>		800	2	2011-2015	EU-Version	0.7	PFR7AB	93322			
<b>Renegade Backcountry X 800R E-TEC</b>		800	2	2011-2015	US-Version	0.7	IFR8AG8	97775			
<b>Renegade Backcountry X 800R E-TEC</b>		800	2	2011-2015	EU-Version	0.7	PFR7AB	93322			
<b>Renegade Blackcountry 800R P-TEC</b>		800	2	2010-2011		0.8	BR9ECS	3570		BR9ECSIX	5438
<b>Renegade Blackcountry X 800R P-TEC</b>		800	2	-2010		0.8	BR9ECS	3570		BR9ECSIX	5438
<b>Renegade SP 800R P-TEC</b>		800	2	2011-2011		0.8	BR9ECS	3570		BR9ECSIX	5438
<b>Renegade X 800R E-TEC</b>		800	2	2011-2015	US-Version	0.7	IFR8AG8	97775			
<b>Renegade X 800R E-TEC</b>		800	2	2011-2015	EU-Version	0.7	PFR7AB	93322			
<b>Renegade X 800R P-TEC</b>		800	2	-2010		0.8	BR9ECS	3570		BR9ECSIX	5438
<b>Renegade XRS 800R E-TEC</b>		800	2	2015-2015	US-Version	0.7	IFR8AG8	97775			
<b>Renegade XRS 800R E-TEC</b>		800	2	2015-2015	EU-Version	0.7	PFR7AB	93322			
<b>Skandic V800</b>		800	2	2010-2012		0.8	DCPR8E	4179		DCPR8EIX	6546
<b>Summit</b>		800		-		0.5	BR9ES	5722		BR9EIX	3981
<b>Summit</b>		800	2	2002-2004		0.5	BR9ECS-5	6669		BR9ECSIX-5	6014

\* Bitte Elektrodenabstand nach Angaben des Herstellers justieren

\* Please adjust the ground electrode gap

\* Veuillez vérifier l'écartement

\* Por favor, ajustar la distancia entre los electrodos

\* Regolare il gap

\* Iridium IX Spark Plug is the standard recommendation





Stock No.

Quick No.

Upgrade ↑

Stock No. ↑

**SKI-DOO / BOMBARDIER**

Summit 800	800	2	2005-2012		0.8	BR9ECS	4677		BR9ECSIX	5438
Summit 800R E-TEC	800	2	2011-2017	US-Version	0.7	IFR8AG8	97775			
Summit 800R E-TEC	800	2	2011-2017	EU-Version	0.7	PFR7AB	93322			
Summit 800R E-TEC Everest	800	2	2011-2011	US-Version	0.7	IFR8AG8	97775			
Summit 800R E-TEC Everest	800	2	2011-2011	EU-Version	0.7	PFR7AB	93322			
Summit 800R E-TEC Freeride	800	2	2011-2011	US-Version	0.7	IFR8AG8	97775			
Summit 800R E-TEC Freeride	800	2	2011-2011	EU-Version	0.7	PFR7AB	93322			
Summit 800R P-TEC	800	2	2010-2016		0.8	BR9ECS	4677		BR9ECSIX	5438
Summit 800R P-TEC Everest	800	2	2011-2011		0.8	BR9ECS	3570		BR9ECSIX	5438
Summit Adrénaline	800	2	2004-		0.5	BR9ECS-5	6669		BR9ECSIX-5	6014
Summit HM	800	2	2004-		0.5	BR9ECS-5	6669		BR9ECSIX-5	6014
Summit HM X	800	2	2004-		0.5	BR9ECS-5	6669		BR9ECSIX-5	6014
Summit HM Xtrême	800	2	2004-		0.5	BR9ECS-5	6669		BR9ECSIX-5	6014
Summit R E-Tec	800	2	2012-	US-Version	0.8	IFR8AG8	97775			
Summit R E-Tec	800	2	2012-	EU-Version	0.8	PFR7AB	93322			
Summit Sport	800	2	2004-		0.5	BR9ECS-5	6669		BR9ECSIX-5	6014
Summit Sport 800 R PTEK XP	800	2	2013-2013		0.8	BR9ECS	4677		BR9ECSIX	5438
Summit X	800	2	2004-		0.5	BR9ECS-5	6669		BR9ECSIX-5	6014
Summit X R	800	2	2012-	US-Version	0.8	IFR8AG8	97775			
Summit X R	800	2	2012-	EU-Version	0.8	PFR7AB	93322			
Mach Z	809		-		0.4	BR10ES	4832		BR10EIX	6801
Freeride 850 E-TEC	850	2	2018-		0.7	ILKR8Q7	93819			
MXZ 850 E-Tec	850	2	2017-2017		0.7	ILKR8Q7	93819			
MXZ X 850 R E-TEC	850	2	2019-		0.7	ILKR8Q7	93819			
Renegade 850 E-TEC	850	2	2017-2017		0.7	ILKR8Q7	93819			
Summit 850 E-TEC	850	2	2017-2017		0.7	ILKR8Q7	93819			
Expedition LE 900 ACE	900	3	2015-2015		0.8	MR7BI-8	90982			
Expedition LE 900 ACE	900	3	2016-		0.8	MR8BI-8	91360			
Expedition SE 900 ACE	900	3	2015-2015		0.8	MR7BI-8	90982			
Expedition SE 900 ACE	900	3	2016-		0.8	MR8BI-8	91360			
Expedition Sport 900 ACE	900	3	2014-2014		0.8	MR7BI-8	90982			
Expedition Sport 900 ACE	900	3	2015-		0.8	MR8BI-8	91360			
Grand Touring 900 ACE	900	3	2014-2014		0.8	MR7BI-8	90982			
Grand Touring 900 ACE	900	3	2015-		0.8	MR8BI-8	91360			
GSX 900 ACE	900	3	2014-2014		0.8	MR7BI-8	90982			
GSX 900 ACE	900	3	2015-2015		0.8	MR8BI-8	91360			
MXZ 900 ACE	900	3	-2014		0.8	MR7BI-8	90982			
M Z 900 ACE	900	3	2015-		0.8	MR8BI-8	91360			
Renegade 900 ACE	900	3	-2014		0.8	MR7BI-8	90982			
Renegade 900 ACE	900	3	2015-		0.8	MR8BI-8	91360			
Skandic 900 ACE	900	3	2015-2015		0.8	MR7BI-8	90982			
Skandic 900 ACE	900	3	2016-		0.8	MR8BI-8	91360			
Elite SE	1000	3	2004-		0.8	DCPR8E	4339		DCPR8EIX	6546
Expedition	1000	2	2006-		0.8	BR8ECS	3972		BR8EIX	5044
Legend 1000	1000	2	2003-2004		0.5	BR9ECS-5	6669		BR9ECSIX-5	6014
Legend SE	1000	2	2004-		0.8	DCPR8E	4339		DCPR8EIX	6546
Legend SE GT	1000	2	2004-		0.8	DCPR8E	4339		DCPR8EIX	6546
Legend Sport	1000	2	2004-		0.8	DCPR8E	4339		DCPR8EIX	6546

\* Bitte Elektrodenabstand nach Angaben des Herstellers justieren

\* Please adjust the ground electrode gap

\* Veuillez vérifier l'écartement

\* Por favor, ajustar la distancia entre los electrodos

\* Regolare il gap

\*\* Iridium IX Spark Plug is the standard recommendation





Stock No.

Quick No.

Upgrade ↑

Stock No. ↑

**SKI-DOO / BOMBARDIER**

Legend Sport GT		1000	2	2004-		0.8	DCPR8E	4339		DCPR8EIX	6546
Mach Z		1000	2	2005-2005		0.8	BR9ECS	4677		BR9ECSIX	5438
Mach Z Adrenaline 2Temps		1000	2	2005-		0.5	BR9ECS-5	6669		BR9ECSIX-5	6014
MXZ 1000		1000	2	2006-		0.8	BR8ECS	3972		BR8EIX	5044
Summit Highmark 2T		1000	2	2005-		0.5	BR8ECS	3972		BR8EIX	5044
Expedition 1200		1200	3	-2010		0.7	CR8EKB	4374			
Expedition LE 1200 4-TEC		1200	3	2011-		0.7	CR8EKB	4374			
Expedition SE 1200 4-TEC		1200	3	2010-		0.7	CR8EKB	4374			
Grand Touring 1200 4-TEC		1200	3	2010-		0.7	CR8EKB	4374			
GSX 1200 4-TEC		1200	3	2009-2015		0.7	CR8EKB	4374			
MXZ 1200 Adrenaline		1200	3	-2010		0.7	CR8EKB	4374			
MXZ 1200 iTC		1200	3	2016-		0.7	CR8EKB	4374			
MXZ 1200 TNT		1200	3	2010-2015		0.7	CR8EKB	4374			
MXZ 1200 X		1200	3	2010-2015		0.7	CR8EKB	4374			
Renegade 1200 4-Tec		1200	3	2016-		0.7	CR8EKB	4374			
Renegade Adrenaline 1200		1200	3	2010-2015		0.7	CR8EKB	4374			
Renegade X 1200		1200	3	2010-2015		0.7	CR8EKB	4374			

**SKIROULE**

KB 300		300		-		0.5	B8ES	2411	Q201	BR8EIX	5044
KS 300		300		-		0.5	B8ES	2411	Q201	BR8EIX	5044
Laser		340		-		*	BUE	2322			
Ultra 340		340		-		*	BUE	2322			
Laser		440		-		*	BUE	2322			
Laser 400X		440		-		*	BUE	2322			
Ultra 440		440		-		*	BUE	2322			

**SNO JET**

S 292		292		-	YAMAHA	*	BR9EIX**	3981			
Y 292		292		-	YAMAHA	0.5	B8ES	2411	Q201	BR8EIX	5044
S 338		338		-	YAMAHA	*	BR8EIX**	5044			
SST 340		338		-	YAMAHA	*	BR9EIX**	3981			
SX 338		338		-	YAMAHA	*	BR9EIX**	3981			
Y 338		338		-	YAMAHA	0.5	B7HS	5110		BR7HIX	7067
ASTRO 340		399		-	KAWASAKI	0.7	BR8ES	5422	Q207	BR8EIX	5044
S 433		433		-1976	YAMAHA	*	BR9EIX**	3981			
S 433		433		-1975	YAMAHA	*	BR8EIX**	5044			
SST 440		433		-	YAMAHA	*	BR9EIX**	3981			
SX 433		433		-	YAMAHA	*	BR9EIX**	3981			
Y 433		433		-	YAMAHA	0.5	B7HS	5110		BR7HIX	7067
ASTRO 440		436		-	KAWASAKI	0.7	BR8ES	5422	Q207	BR8EIX	5044

**SUZUKI**

Nomad		292		-		0.7	B7HS	5110		BR7HIX	7067
Nomad		336		-		0.7	B7HS	5110		BR7HIX	7067
F / C		340		-		0.8	BR9EYA	7548		BR9EIX	3981
SM10		360		-		0.7	B7HS	5110		BR7HIX	7067
SM10D		360		-		0.7	B7HS	5110		BR7HIX	7067
370F/C		370		-		0.8	BR9EYA	7548		BR9EIX	3981
400 Wide Track		395		-		0.7	B7HS	5110		BR7HIX	7067
SM20		395		-		0.7	B7HS	5110		BR7HIX	7067

\* Bitte Elektrodenabstand nach Angaben des Herstellers justieren

\* Please adjust the ground electrode gap

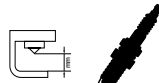
\* Veuillez vérifier l'écartement

\* Por favor, ajustar la distancia entre los electrodos

\* Regolare il gap

\* Iridium IX Spark Plug is the standard recommendation





Stock No.

Quick No.

Upgrade ↑

Stock No. ↑

**SUZUKI**

SM20 Hop Up Kit		395	-		0.7	B8ES	2411	Q201	BR8EIX	5044
XR400		395	-		0.7	B7HS	5110		BR7HIX	7067
440 L/C-ZRV		400	1998-		0.7	BR10ES	4832		BR10EIX	6801
440 L/C-ZRV		400	1999-		0.8	BR10EIX**	6801			
440 L/C-ZRV		400	2000-		0.8	BR9EYA	7548		BR9EIX	3981
440 XR		432	-		0.7	B7HS	5110		BR7HIX	7067
440 F/C		433	-		0.8	BR9EYA	7548		BR9EIX	3981
440 F/C-C		433	-		0.8	BR9ES	5722		BR9EIX	3981
440 L/C-LWS		433	-		0.8	BR9EYA	7548		BR9EIX	3981
SM440M		433	-		0.7	BR9EIX**	3981			
F / C		500	-		0.8	BR9ES	5722		BR9EIX	3981
L/C		500	1999-		0.8	BR9EYA	7548		BR9EIX	3981
L/C		500	2000-		0.8	BR10EIX**	6801			
L/C-EID		500	1999-		0.8	BR9EYA	7548		BR9EIX	3981
550 L/C		530	-		0.8	BR9EYA	7548		BR9EIX	3981
L/C		530	-		0.7	BR10ES	4832		BR10EIX	6801
L/C-EID		580	-		0.8	BR9EYA	7548		BR9EIX	3981
L/C		600	-		0.8	BR9EYA	7548		BR9EIX	3981
L/C-EID		600	-		0.8	BR9EYA	7548		BR9EIX	3981
L/C		650	-		0.7	BR10ES	4832		BR10EIX	6801
L/C		700	-1995		0.8	BR9ES	5722		BR9EIX	3981
L/C		700	1999-		0.7	BR10ES	4832		BR10EIX	6801
L/C		785	-		0.8	BR9EYA	7548		BR9EIX	3981
L/C		800	-		0.8	BR9EYA	7548		BR9EIX	3981
L/C		900	-		0.8	BR9EYA	7548		BR9EIX	3981
L/C		1000	-		0.8	BR9EYA	7548		BR9EIX	3981

**THREE R INDUSTRIES**

TRAIL ROAMER		725	-		0.6	BKR5ES	2460		BKR5EIX	6341
--------------	--	-----	---	--	-----	--------	------	--	---------	------

**TRAIL MANTA**

EC34PL		340	-		0.8	BR9ES	5722		BR9EIX	3981
440 L/C		440	-		0.8	BR9ES	5722		BR9EIX	3981
500 L/C		500	-		0.8	BR9ES	5722		BR9EIX	3981

**XENOAH**

XENOAH FC		340	-		0.6	B8ES	2411	Q201	BR8EIX	5044
XENOAH LC		340	-		*	BUE	2322			
XENOAH LC		440	-		*	BUE	2322			

**YAMAHA**

SE 80		80	1	-	0.7	BR8HS	4915	Q212	BR8HIX	7001
SV 80 Series		80	1	-	0.7	BR8HS	4915	Q212	BR8HIX	7001
SV 125 Series		125		-	0.7	BR8HS	4915	Q212	BR8HIX	7001
BR 250 Series		250		-	0.7	BR8HS	4915	Q212	BR8HIX	7001
ET 250A		250		-	0.6	BR8HIX**	7001			
ET 250B		250		-	0.6	BR8HIX**	7001			
ET 250 Series		250		-	0.7	B8HS	5510		BR8HIX	7001
CF 300		300		-	0.7	BR8HS	4915	Q212	BR8HIX	7001
EC 300		300		-	0.8	BR9ES	5722		BR9EIX	3981
ET 300C		300		-	0.6	BR9EIX**	3981			
ET 300 Series		300		-	0.8	BR9ES	5722		BR9EIX	3981
CS 340		340		-	0.8	BR9ES	5722		BR9EIX	3981
CS 340 E		340		-	0.8	BR9ES	5722		BR9EIX	3981

\*Bitte Elektrodenabstand nach Angaben des Herstellers justieren

\*Please adjust the ground electrode gap

\*Veuillez vérifier l'écartement

\* Por favor, ajustar la distancia entre los electrodos

\*Regolare il gap

\*\* Iridium IX Spark Plug is the standard recommendation





Stock No.

Quick No.

Upgrade ↑

Stock No. ↑

**YAMAHA**

<b>CS 340 EC</b>		340	-		0.8	BR9ES	5722		BR9EIX	3981
<b>EC 340 Series</b>		340	-		0.8	BR9ES	5722		BR9EIX	3981
<b>ET 340 B</b>		340	-		0.6	BR9EIX**	3981			
<b>ET 340 C</b>		340	-		0.6	BR9EIX**	3981			
<b>ET 340 EC</b>		340	-		0.6	BR9EIX**	3981			
<b>ET 340 Series</b>		340	-		0.8	BR9ES	5722		BR9EIX	3981
<b>EX 340 Series</b>		340	-		0.6	BR9EIX**	3981			
<b>EX 570 Series</b>		340	-		0.8	BR9ES	5722		BR9EIX	3981
<b>S 340</b>		340	-		0.8	BR8ES	5422	Q207	BR8EIX	5044
<b>ET 400 Series</b>		400	-		0.8	BR8ES	5422	Q207	BR8EIX	5044
<b>SS 440 Series</b>		440	-		0.8	BR9ES	5722		BR9EIX	3981
<b>PZ 480 Series</b>		480	-		0.8	BR9ES	5722		BR9EIX	3981
<b>VT 480 Series</b>		480	-		0.8	BR9ES	5722		BR9EIX	3981
<b>Phazer SS</b>		485	1997-1998		0.8	BR9ECS	4677		BR9ECSIX	5438
<b>Multi Purpose</b>		499	2 2010-		0.7	CR9EKB	2305			
<b>Phazer</b>	RTX	499	2 2010-		0.7	CR9EKB	2305			
<b>Phazer</b>	MTX	499	2 2010-		0.7	CR9EKB	2305			
<b>Phazer</b>	GT	499	2 2012-		0.8	CR9EKB	2305			
<b>Venture Lite</b>		499	2 2010-		0.7	CR9EKB	2305			
<b>PZ 500</b>		500	-		0.8	BR9ES	5722		BR9EIX	3981
<b>PZ 500 C</b>		500	-		0.8	BR9ES	5722		BR9EIX	3981
<b>PZ 500 DX</b>		500	-		0.8	BR9ES	5722		BR9EIX	3981
<b>PZ 500 ML</b>		500	-		0.8	BR9ES	5722		BR9EIX	3981
<b>PZ 500 MLD</b>		500	-		0.8	BR9ES	5722		BR9EIX	3981
<b>PZ 500 ST</b>		500	-		0.8	BR9ES	5722		BR9EIX	3981
<b>SX 500</b>		500	-		0.8	BR9ES	5722		BR9EIX	3981
<b>SX 500 D</b>		500	-		0.8	BR9ES	5722		BR9EIX	3981
<b>V-Max 500</b>		500	1996-1999		0.8	BR9ECS	4677		BR9ECSIX	5438
<b>V-Max SX</b>		500	1999-1999		0.8	BR9ECS	4677		BR9ECSIX	5438
<b>VT 500 Series</b>		500	-		0.8	BR9ES	5722		BR9EIX	3981
<b>VX 500 Series</b>		500	-		0.8	BR9ES	5722		BR9EIX	3981
<b>III</b>	VK	540	2005-		0.8	BR9ES	5722		BR9EIX	3981
<b>SR 540 Series</b>		540	-1989		0.8	BR9ES	5722		BR9EIX	3981
<b>SR 540 Series</b>		540	1990-1994		0.6	BR9EIX**	3981			
<b>VK 540 Series</b>		540	-		0.8	BR9ES	5722		BR9EIX	3981
<b>VMX 540 Series</b>		540	-1989		0.8	BR9ES	5722		BR9EIX	3981
<b>VMX 540 Series</b>		540	1990-1994		0.6	BR9EIX**	3981			
<b>XL 540 Series</b>		540	-		0.8	BR9ES	5722		BR9EIX	3981
<b>MM 600</b>		600	-		0.8	BR9ES	5722		BR9EIX	3981
<b>MM 600 D</b>		600	-		0.8	BR9ES	5722		BR9EIX	3981
<b>Mountain Max</b>		600	2 1999-1999		0.8	BR9ECS	4677		BR9ECSIX	5438
<b>SRX 600</b>		600	3 1999-		0.8	BR9ECS	4677		BR9ECSIX	5438
<b>SRX 600</b>		600	3 1999-1999		0.8	BR9ECS	3570		BR9ECSIX	5438
<b>SRX 600 C</b>		600	3 1999-		0.8	BR9ECS	3570		BR9ECSIX	5438
<b>SRX 600 S</b>		600	3 1999-		0.8	BR9ECS	3570		BR9ECSIX	5438
<b>SRX 600 SC</b>		600	3 1999-		0.8	BR9ECS	3570		BR9ECSIX	5438
<b>SRX 600 Series</b>		600	-1998		0.8	BR10ECS	5880			
<b>SX 600</b>		600	-		0.8	BR9ES	5722		BR9EIX	3981
<b>SX 600 D</b>		600	-		0.8	BR9ES	5722		BR9EIX	3981
<b>Venture 600</b>		600	2 1998-1999		0.8	BR9ECS	4677		BR9ECSIX	5438
<b>V-Max SX</b>		600	2 1998-1999		0.8	BR9ECS	4677		BR9ECSIX	5438
<b>VT 600</b>		600	-2000		0.8	BR9ECS	3570		BR9ECSIX	5438

\*Bitte Elektrodenabstand nach Angaben des Herstellers justieren

\*Please adjust the ground electrode gap

\*Veuillez vérifier l'écartement

\* Por favor, ajustar la distancia entre los electrodos

\*Regolare il gap

\*Iridium IX Spark Plug is the standard recommendation







Stock No.

Quick No.

Upgrade ↑

Stock No. ↑

**YAMAHA**

<b>VT 600</b>		600	3	1999-		0.8	BR9ES	5722		BR9EIX	3981
<b>VT 600 C</b>		600	3	1999-		0.8	BR9ES	5722		BR9EIX	3981
<b>VT 600 D</b>		600	3	1999-		0.8	BR9ES	5722		BR9EIX	3981
<b>VX 600 Series</b>		600		-		0.8	BR9ES	5722		BR9EIX	3981
<b>MM 700/D</b>		700		-		0.8	BR9ES	5722		BR9EIX	3981
<b>SRX 700</b>		700	3	1999-		0.8	BR9ECS	4677		BR9ECSIX	5438
<b>SRX 700</b>		700	3	1999-2002		0.8	BR9ECS	3570		BR9ECSIX	5438
<b>SRX 700 C</b>		700	3	1999-		0.8	BR9ECS	3570		BR9ECSIX	5438
<b>SRX 700 S</b>		700	3	1999-		0.8	BR9ECS	3570		BR9ECSIX	5438
<b>SRX 700 SC</b>		700	3	1999-		0.8	BR9ECS	3570		BR9ECSIX	5438
<b>SRX 700 Series</b>		700		-1998		0.8	BR10ECS	5880			
<b>SX 700</b>		700		-		0.8	BR9ES	5722		BR9EIX	3981
<b>SX 700 D</b>		700		-		0.8	BR9ES	5722		BR9EIX	3981
<b>SX 700 SD</b>		700		-		0.8	BR9ES	5722		BR9EIX	3981
<b>V-Max 700</b>		700	3	1998-1999		0.8	BR9ECS	4677		BR9ECSIX	5438
<b>VT 700 Series</b>		700		-		0.8	BR9ES	5722		BR9EIX	3981
<b>VX 700 Series</b>		700		-		0.8	BR9ES	5722		BR9EIX	3981
<b>VX 750 Series</b>		750		-		0.8	BR9ES	5722		BR9EIX	3981
<b>VX 800 Series</b>		800		-		0.8	BR9ES	5722		BR9EIX	3981
<b>Nytro ER Nytro</b>	RS	973	3	2006-		0.7	CR8E	4854	Q226	CR8EIX	4218
<b>Nytro ER Vertor</b>	RS	973	3	2006-		0.7	CR8E	4854	Q226	CR8EIX	4218
<b>Rage</b>	RS	973	3	2005-		0.7	CR9E	6263	Q227	CR9EIX	3521
<b>RS Rage</b>	RSG	973	3	2006-		0.7	CR8E	4854	Q226	CR8EIX	4218
<b>Vector GT</b>	RS	973	3	2005-		0.7	CR9E	6263	Q227	CR9EIX	3521
<b>Venture TF</b>	RS	973	3	2005-		0.7	CR9E	6263	Q227	CR9EIX	3521
<b>Viking Professional</b>	RS	973	3	2010-		0.7	CR9E	6263	Q227	CR9EIX	3521
<b>Apex</b>	RX	998	4	2006-		0.7	CR9EB	6955			
<b>Apex</b>		998	4	2012-		0.7	CR9EB	6955			
<b>Apex SE</b>		998	4	2012-		0.7	CR9EB	6955			
<b>Apex XTX</b>		998	4	2012-		0.7	CR9EB	6955			
<b>Attak</b>	RXW-10	998	4	2006-		0.7	CR9EB	6955			
<b>ER</b>	RX-1	998	4	2005-		0.7	CR9E	6263	Q227	CR9EIX	3521
<b>Warrior</b>	RX	998	4	2005-		0.7	CR9E	6263	Q227	CR9EIX	3521
<b>Warrior GT</b>	RX	998	4	2010-		0.7	CR9E	6263	Q227	CR9EIX	3521
<b>FX Nytro M-TX SE 162</b>	FX	1049	3	2010-		0.7	CR9E	6263	Q227	CR9EIX	3521
<b>FX Nytro R-TX SE</b>	FX	1049	3	2010-		0.7	CR9E	6263	Q227	CR9EIX	3521
<b>FX Nytro X-TX</b>	FX	1049	3	2010-		0.7	CR9E	6263	Q227	CR9EIX	3521
<b>Venture Lite</b>		1049	2	2012-		0.8	CR9EKB	2305			
<b>Venture TF 120 FI</b>	RS	1049	3	2009-		0.7	CR9E	6263	Q227	CR9EIX	3521
<b>Venture TF 120 GT</b>	RS	1049	3	2009-		0.7	CR9E	6263	Q227	CR9EIX	3521

\*Bitte Elektrodenabstand nach Angaben des Herstellers justieren

\*Please adjust the ground electrode gap

\*Veuillez vérifier l'écartement

\* Por favor, ajustar la distancia entre los electrodos

\*Regolare il gap

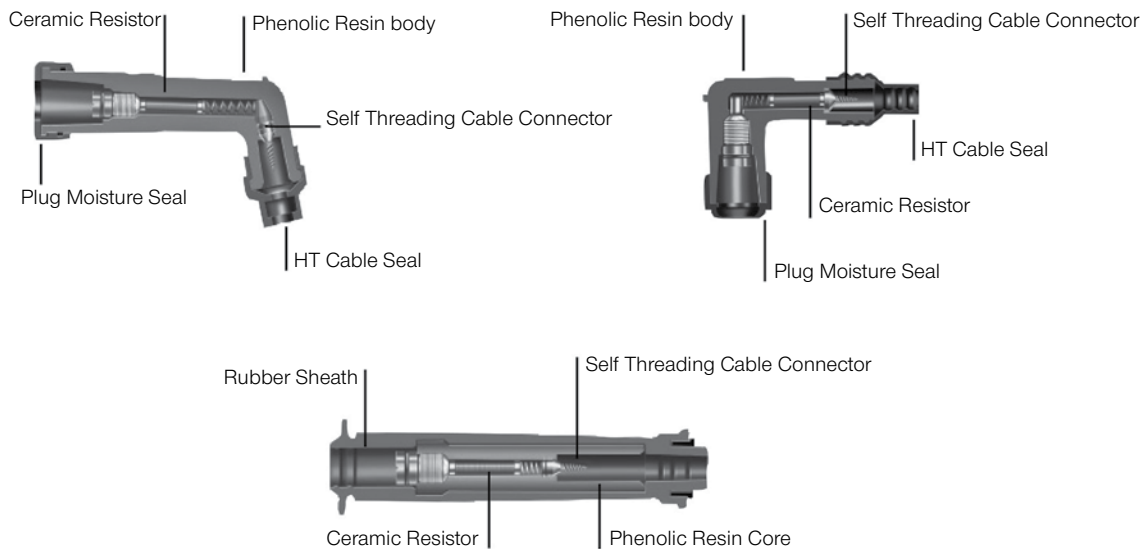
\*\* Iridium IX Spark Plug is the standard recommendation



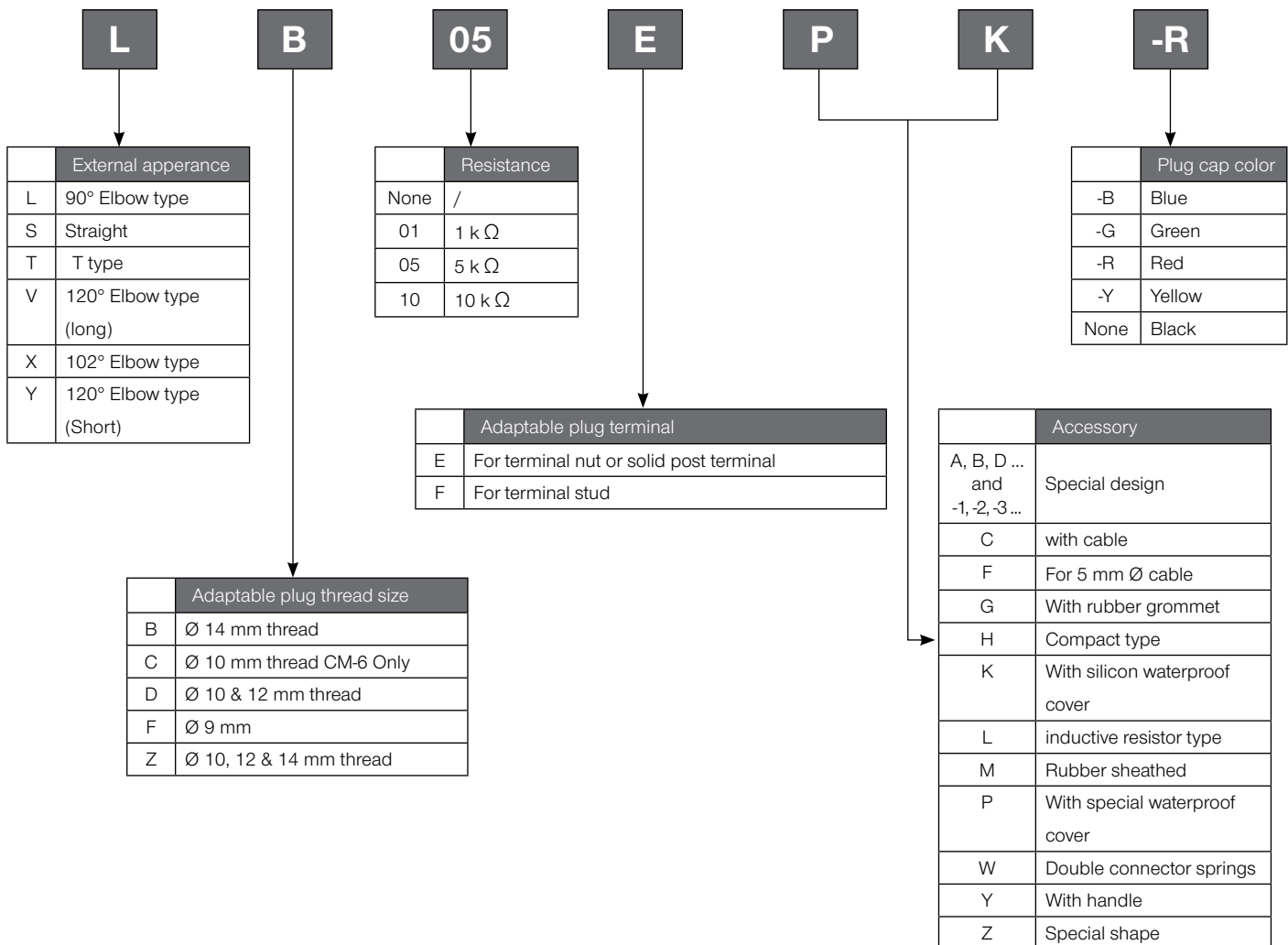


IGNITION  
PARTS

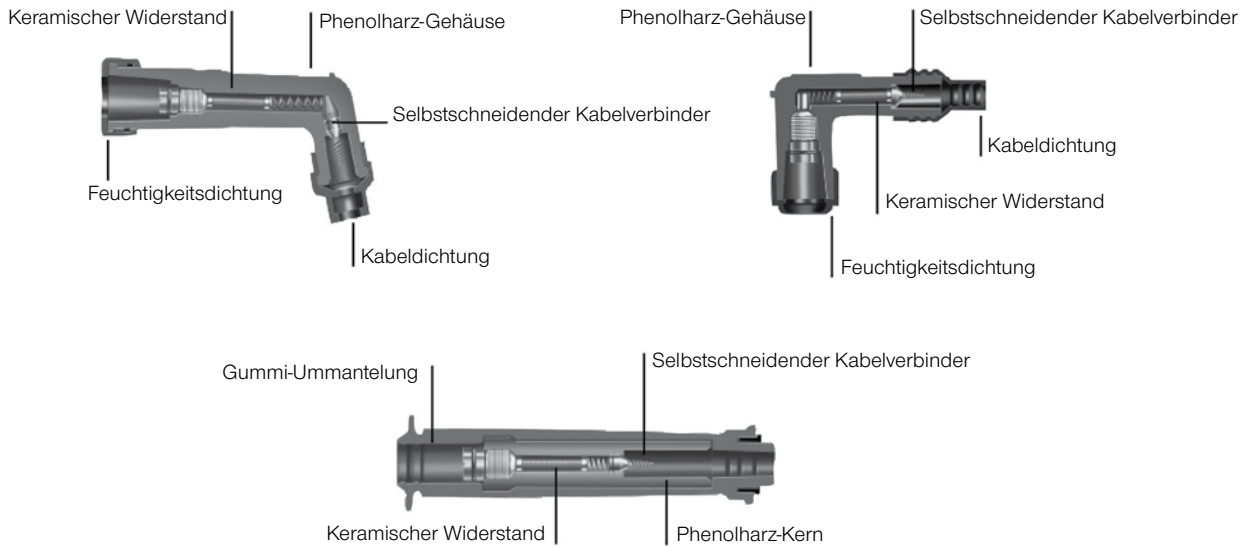
## NGK RESISTOR PLUG COVERS



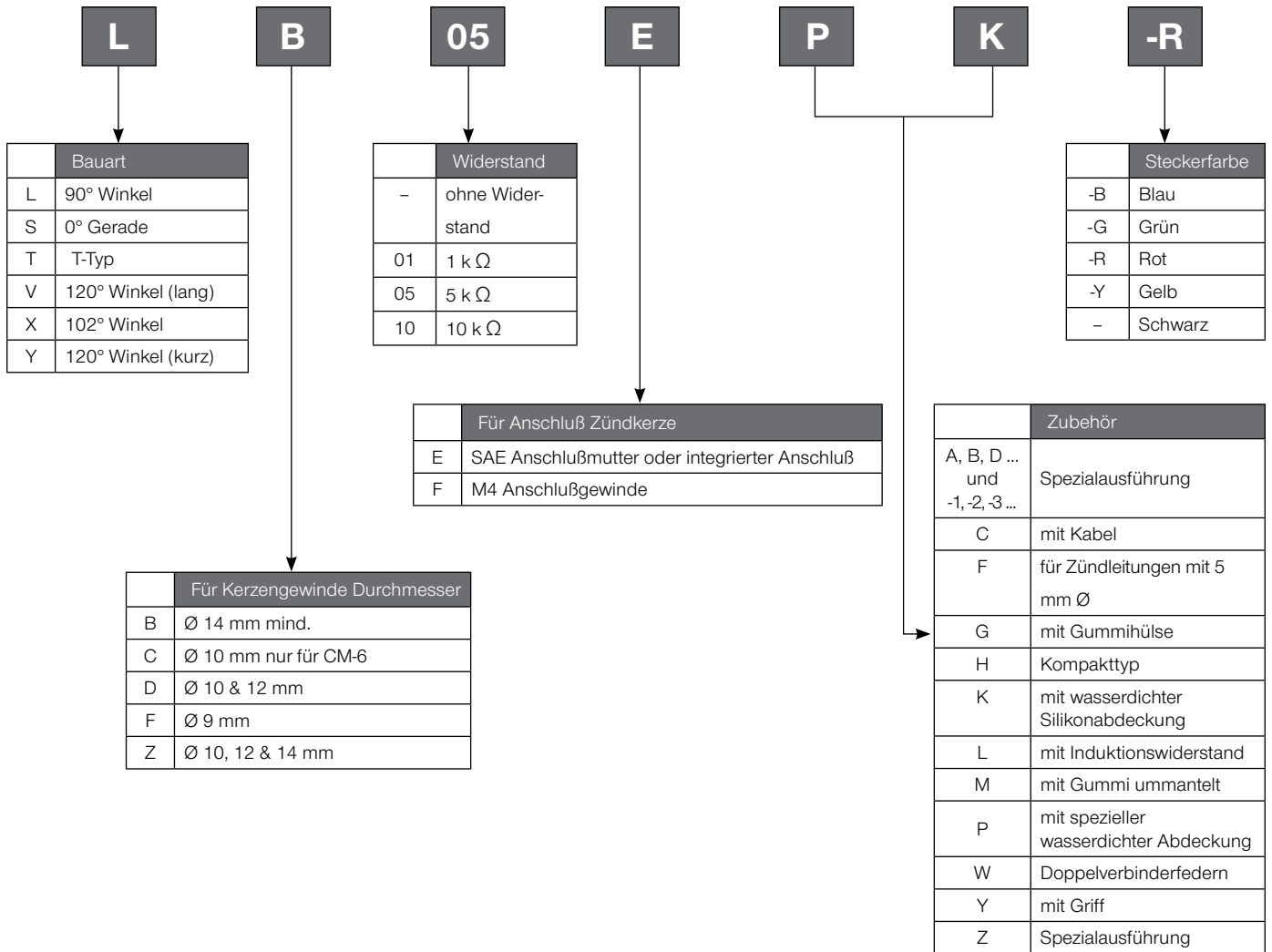
## COVER SYMBOLS EXPLANATION CHART



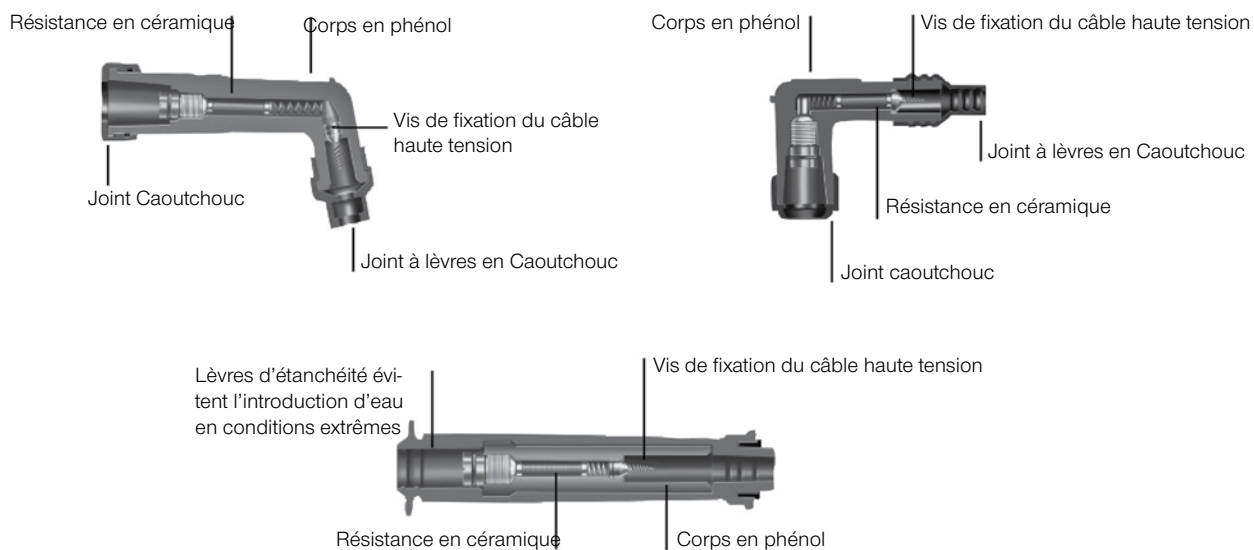
# NGK ZÜNDKERZENSTECKER



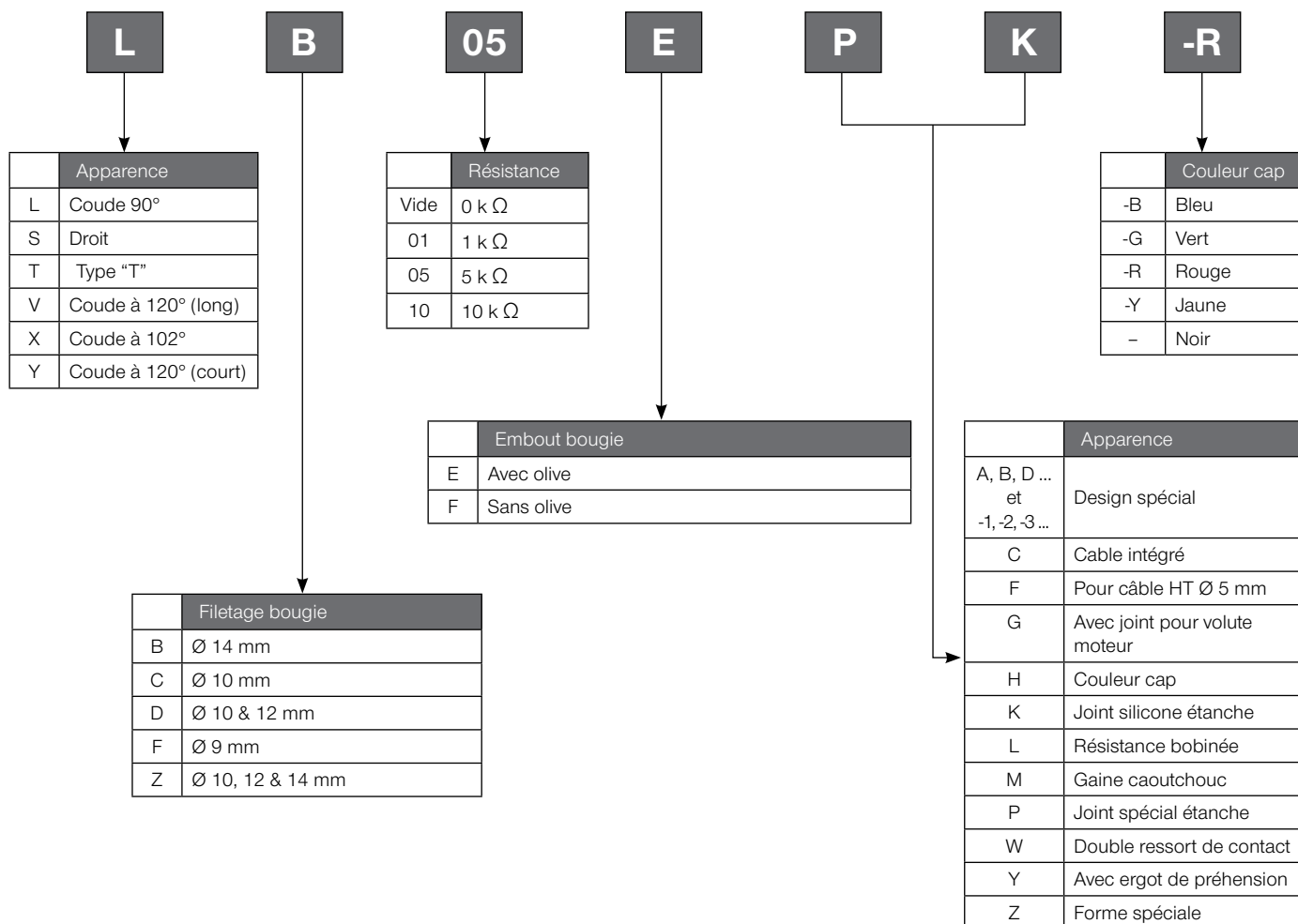
# ERKLÄRUNG DER KURZZEICHEN



## TECHNOLOGIES



## SIGNIFICATION DES RÉFÉRENCES



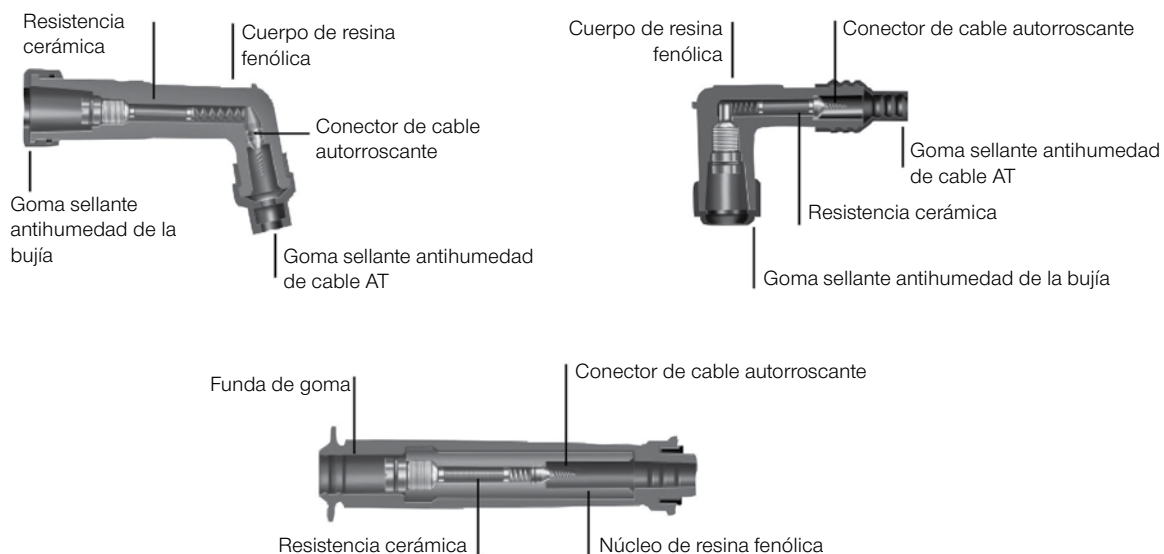
## CAPPUCCI CANDELA CON RESISTORE NGK



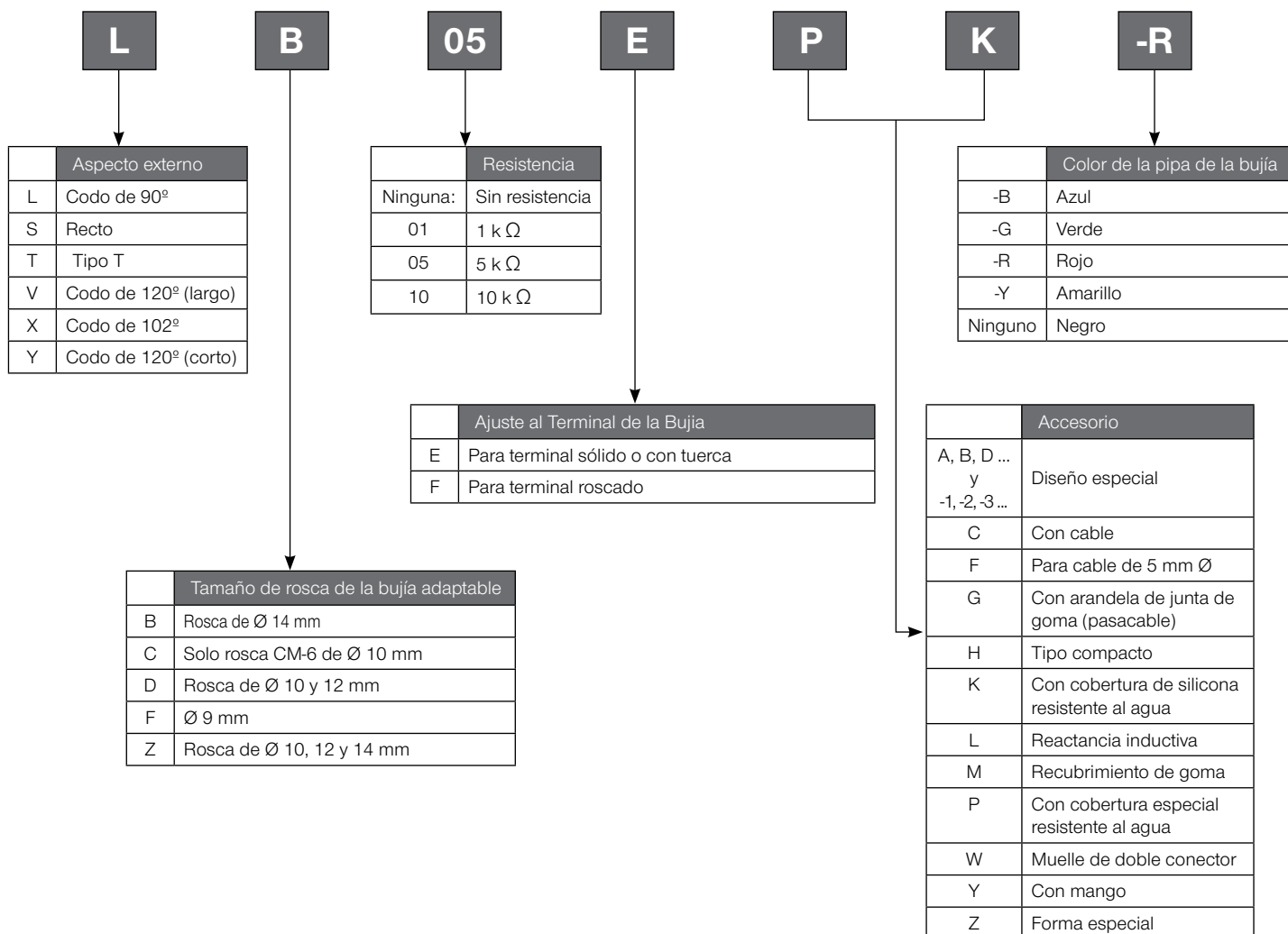
## TABELLA SPIEGAZIONE CODICI CAPPUCCI

L	B	05	E	P	K	-R																																										
<table border="1"> <thead> <tr> <th colspan="2">Aspetto esteriore</th> </tr> </thead> <tbody> <tr> <td>L</td> <td>Tipo gomito 90°</td> </tr> <tr> <td>S</td> <td>Dritto</td> </tr> <tr> <td>T</td> <td>Tipo T</td> </tr> <tr> <td>V</td> <td>Tipo gomito 120° (lungo)</td> </tr> <tr> <td>X</td> <td>Tipo gomito 102°</td> </tr> <tr> <td>Y</td> <td>Tipo gomito 120° (corto)</td> </tr> </tbody> </table>		Aspetto esteriore		L	Tipo gomito 90°	S	Dritto	T	Tipo T	V	Tipo gomito 120° (lungo)	X	Tipo gomito 102°	Y	Tipo gomito 120° (corto)	<table border="1"> <thead> <tr> <th colspan="2">Resistenza</th> </tr> </thead> <tbody> <tr> <td>Nessuna</td> <td>Nessun resistore</td> </tr> <tr> <td>01</td> <td>1 kΩ</td> </tr> <tr> <td>05</td> <td>5 kΩ</td> </tr> <tr> <td>10</td> <td>10 kΩ</td> </tr> </tbody> </table>	Resistenza		Nessuna	Nessun resistore	01	1 kΩ	05	5 kΩ	10	10 kΩ	<table border="1"> <thead> <tr> <th colspan="2">Terminale candela adattabile</th> </tr> </thead> <tbody> <tr> <td>E</td> <td>Per terminale con nottolino o terminale ad ogiva</td> </tr> <tr> <td>F</td> <td>Per terminale filettato</td> </tr> </tbody> </table>		Terminale candela adattabile		E	Per terminale con nottolino o terminale ad ogiva	F	Per terminale filettato	<table border="1"> <thead> <tr> <th colspan="2">Colore cappuccio candela</th> </tr> </thead> <tbody> <tr> <td>-B</td> <td>Blu</td> </tr> <tr> <td>-G</td> <td>Verde</td> </tr> <tr> <td>-R</td> <td>Rosso</td> </tr> <tr> <td>-Y</td> <td>Giallo</td> </tr> <tr> <td>Nessuno</td> <td>Nero</td> </tr> </tbody> </table>		Colore cappuccio candela		-B	Blu	-G	Verde	-R	Rosso	-Y	Giallo	Nessuno	Nero
Aspetto esteriore																																																
L	Tipo gomito 90°																																															
S	Dritto																																															
T	Tipo T																																															
V	Tipo gomito 120° (lungo)																																															
X	Tipo gomito 102°																																															
Y	Tipo gomito 120° (corto)																																															
Resistenza																																																
Nessuna	Nessun resistore																																															
01	1 kΩ																																															
05	5 kΩ																																															
10	10 kΩ																																															
Terminale candela adattabile																																																
E	Per terminale con nottolino o terminale ad ogiva																																															
F	Per terminale filettato																																															
Colore cappuccio candela																																																
-B	Blu																																															
-G	Verde																																															
-R	Rosso																																															
-Y	Giallo																																															
Nessuno	Nero																																															
<table border="1"> <thead> <tr> <th colspan="2">Dimensione filettatura della candela adattabile</th> </tr> </thead> <tbody> <tr> <td>B</td> <td>Filettatura Ø 14 mm</td> </tr> <tr> <td>C</td> <td>Filettatura Ø 10 mm Solo CM-6</td> </tr> <tr> <td>D</td> <td>Filettatura Ø 10 &amp; 12 mm</td> </tr> <tr> <td>F</td> <td>Ø 9 mm</td> </tr> <tr> <td>Z</td> <td>Filettatura Ø 10, 12 &amp; 14 mm</td> </tr> </tbody> </table>		Dimensione filettatura della candela adattabile		B	Filettatura Ø 14 mm	C	Filettatura Ø 10 mm Solo CM-6	D	Filettatura Ø 10 & 12 mm	F	Ø 9 mm	Z	Filettatura Ø 10, 12 & 14 mm	<table border="1"> <thead> <tr> <th colspan="2">Accessorio</th> </tr> </thead> <tbody> <tr> <td>A, B, D... e -1, -2, -3...</td> <td>Design speciale</td> </tr> <tr> <td>C</td> <td>Con cavo</td> </tr> <tr> <td>F</td> <td>Per cavo 5 mm Ø</td> </tr> <tr> <td>G</td> <td>Con anello di tenuta in gomma</td> </tr> <tr> <td>H</td> <td>Tipo compatto</td> </tr> <tr> <td>K</td> <td>Con copertura in silicone impermeabile</td> </tr> <tr> <td>L</td> <td>Tipo resistore induttivo</td> </tr> <tr> <td>M</td> <td>Anello di tenuta in gomma</td> </tr> <tr> <td>P</td> <td>Con copertura speciale impermeabile</td> </tr> <tr> <td>W</td> <td>Molle del connettore doppio</td> </tr> <tr> <td>Y</td> <td>Con manico</td> </tr> <tr> <td>Z</td> <td>Forma speciale</td> </tr> </tbody> </table>				Accessorio		A, B, D... e -1, -2, -3...	Design speciale	C	Con cavo	F	Per cavo 5 mm Ø	G	Con anello di tenuta in gomma	H	Tipo compatto	K	Con copertura in silicone impermeabile	L	Tipo resistore induttivo	M	Anello di tenuta in gomma	P	Con copertura speciale impermeabile	W	Molle del connettore doppio	Y	Con manico	Z	Forma speciale					
Dimensione filettatura della candela adattabile																																																
B	Filettatura Ø 14 mm																																															
C	Filettatura Ø 10 mm Solo CM-6																																															
D	Filettatura Ø 10 & 12 mm																																															
F	Ø 9 mm																																															
Z	Filettatura Ø 10, 12 & 14 mm																																															
Accessorio																																																
A, B, D... e -1, -2, -3...	Design speciale																																															
C	Con cavo																																															
F	Per cavo 5 mm Ø																																															
G	Con anello di tenuta in gomma																																															
H	Tipo compatto																																															
K	Con copertura in silicone impermeabile																																															
L	Tipo resistore induttivo																																															
M	Anello di tenuta in gomma																																															
P	Con copertura speciale impermeabile																																															
W	Molle del connettore doppio																																															
Y	Con manico																																															
Z	Forma speciale																																															

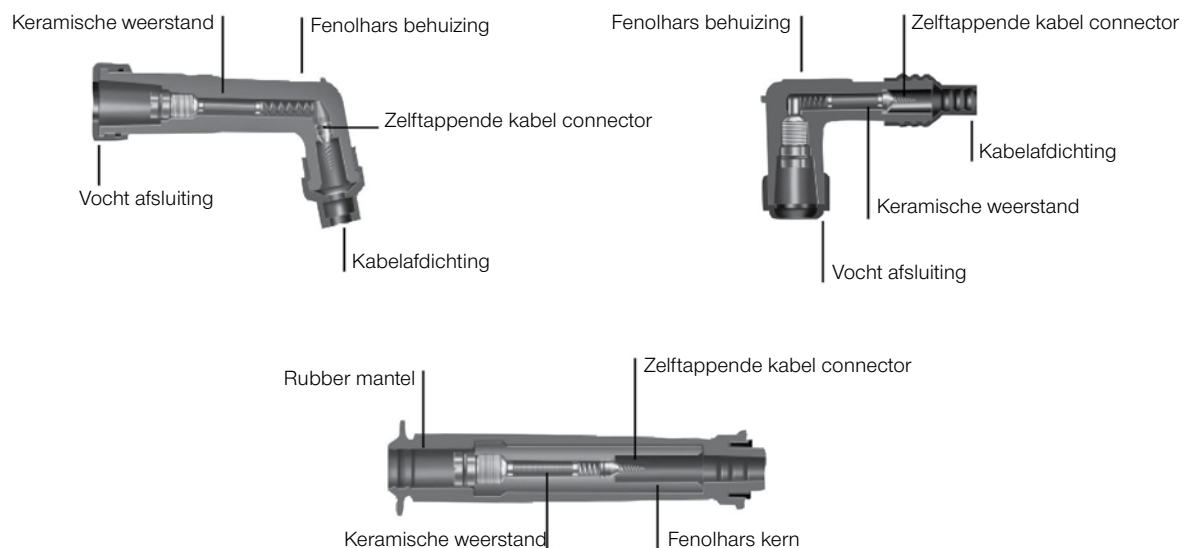
## PIPAS DE BUJÍA NGK CON RESISTENCIA



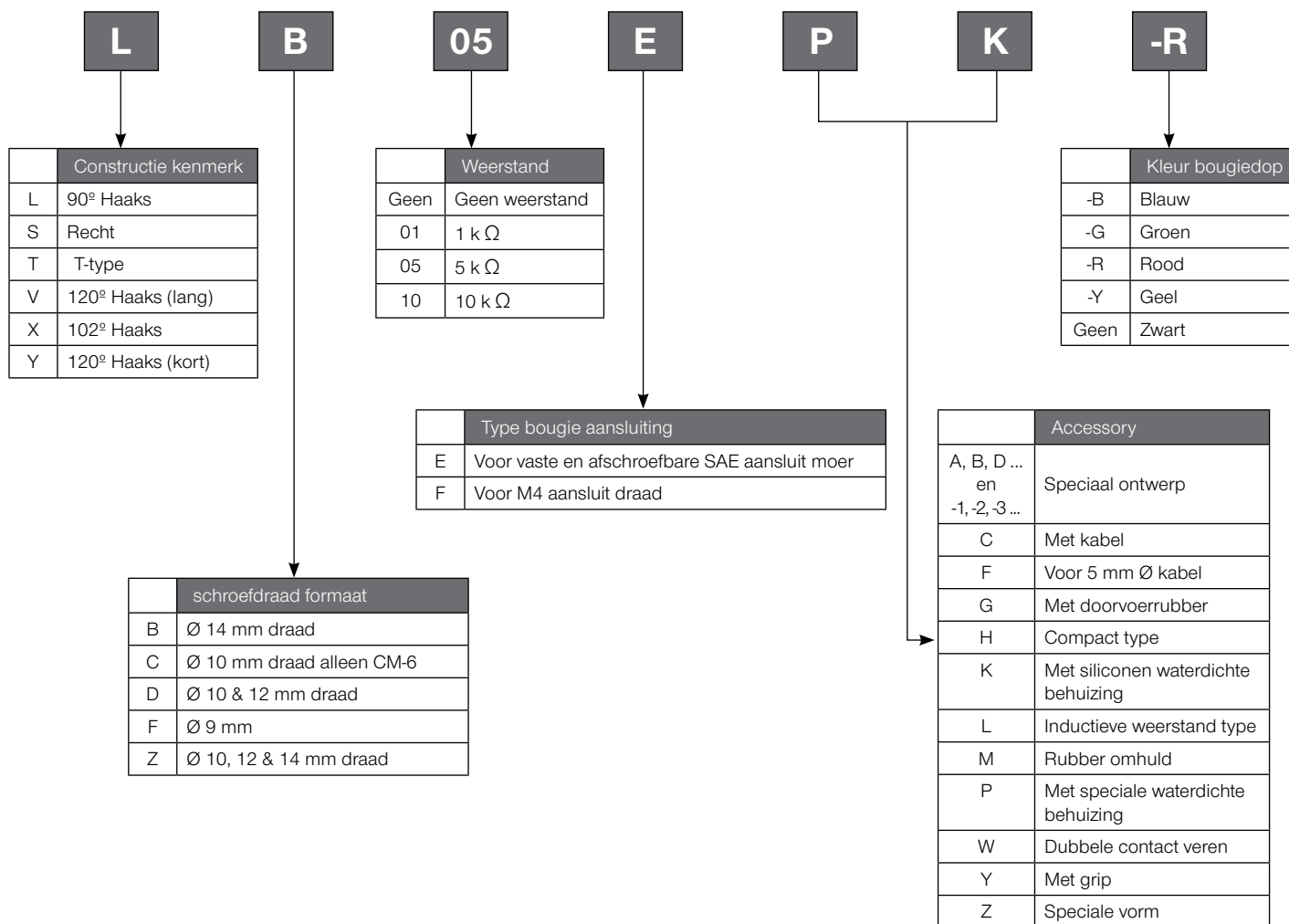
## CODIFICACIÓN DE LAS PIPAS



## NGK ONTSTOORDE BOUGIE DOP

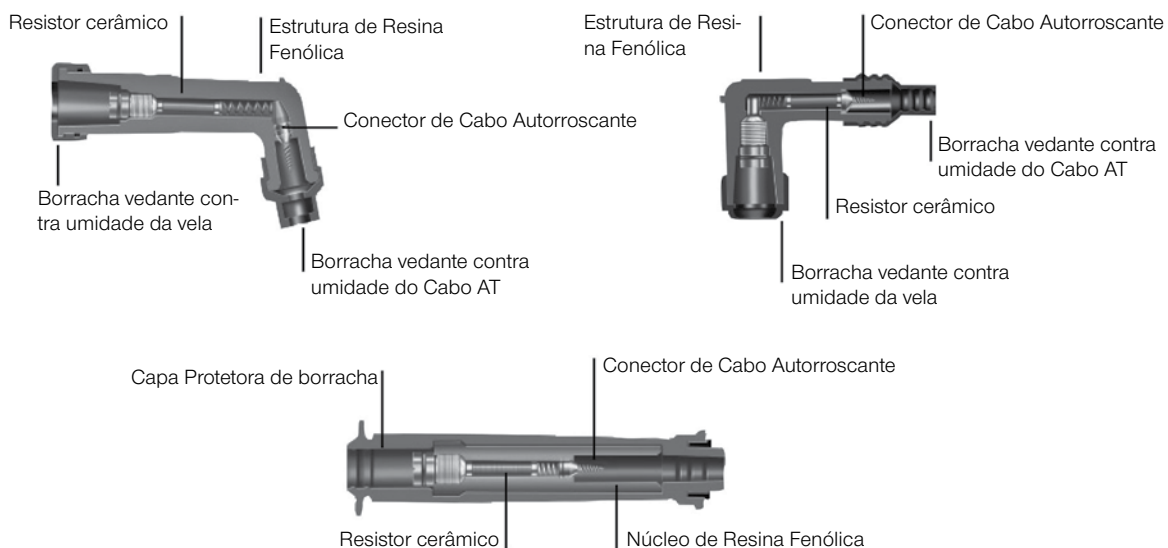


## UITLEG MARKERINGSTEKENS

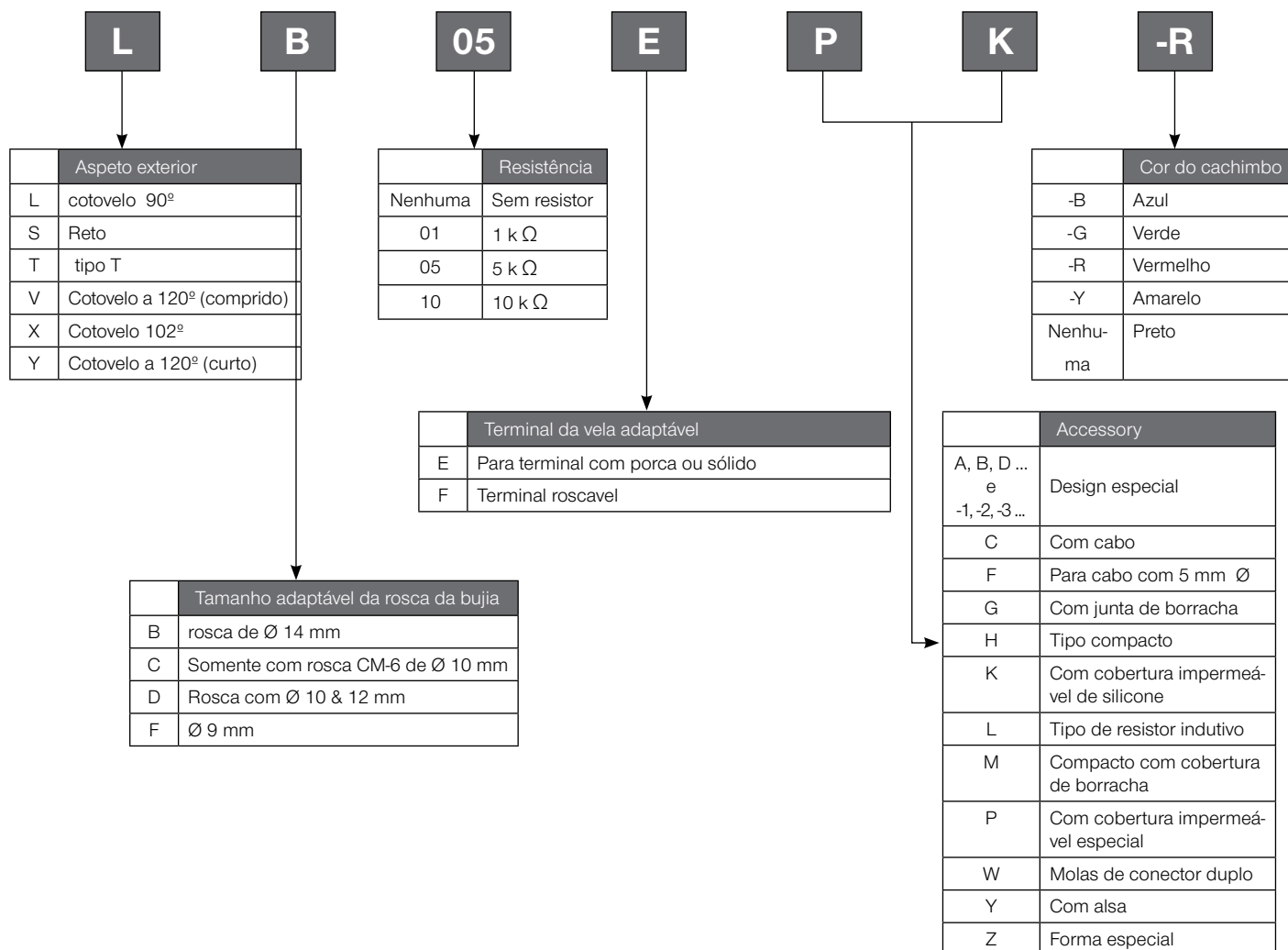




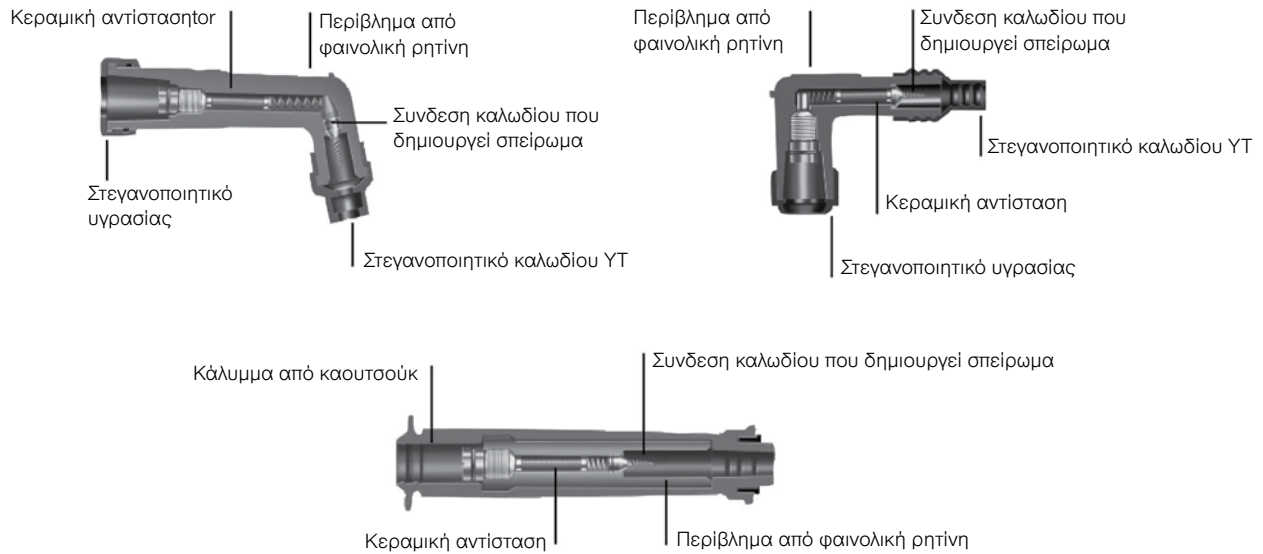
## CACHIMBO DE RESISTOR NGK



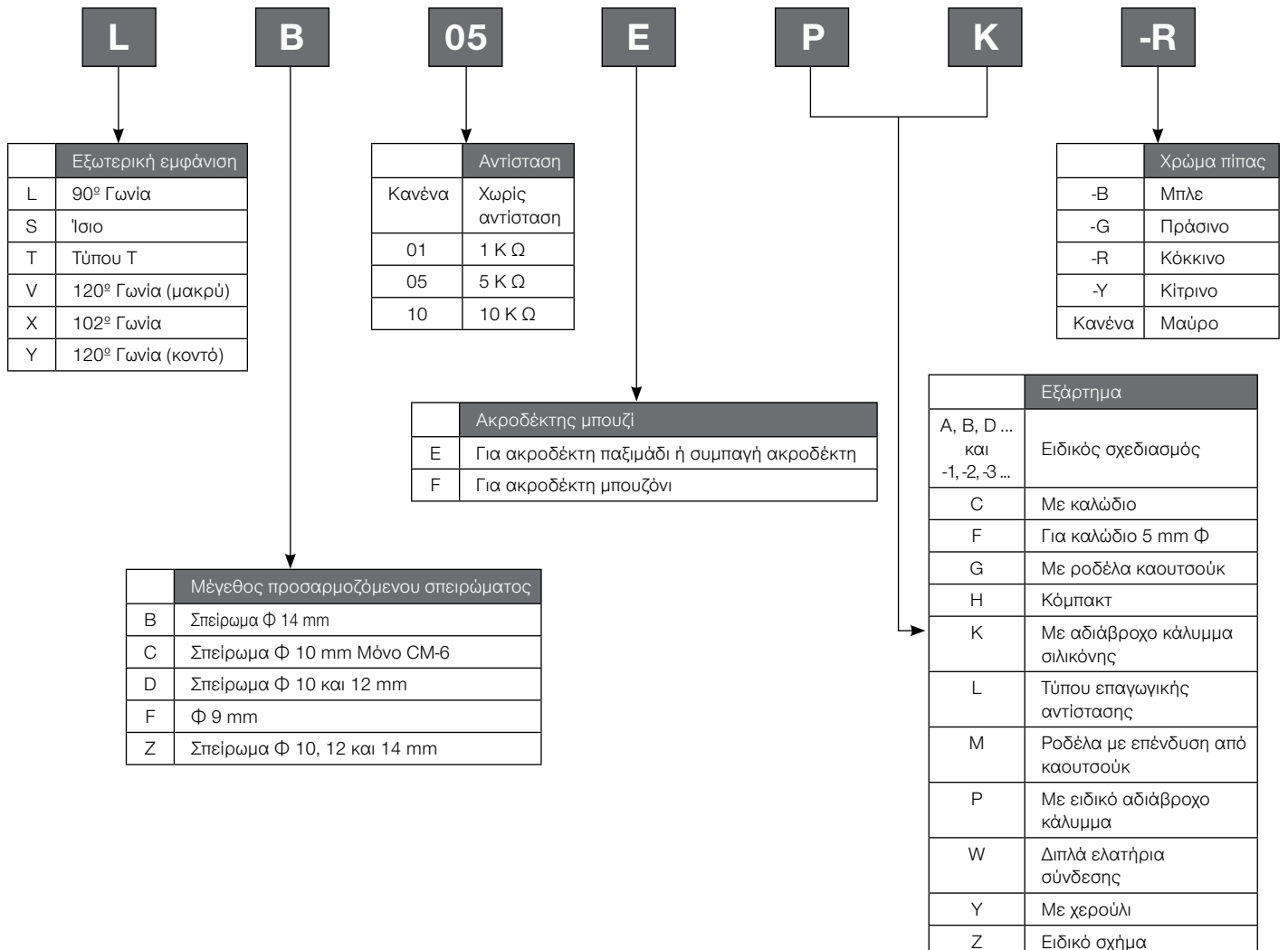
## CODIFICAÇÃO DO CACHIMBO DE RESISTOR



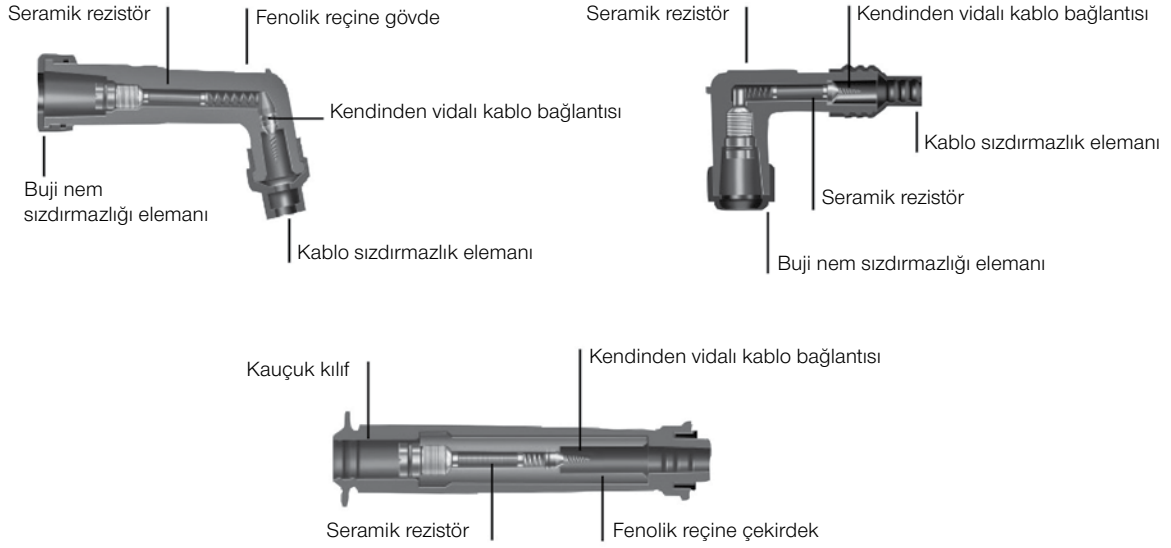
## ΑΝΤΙΠΑΡΑΣΙΤΙΚΕΣ ΠΙΠΕΣ NGK



## Σχεδιάγραμμα επεξήγησης συμβόλων



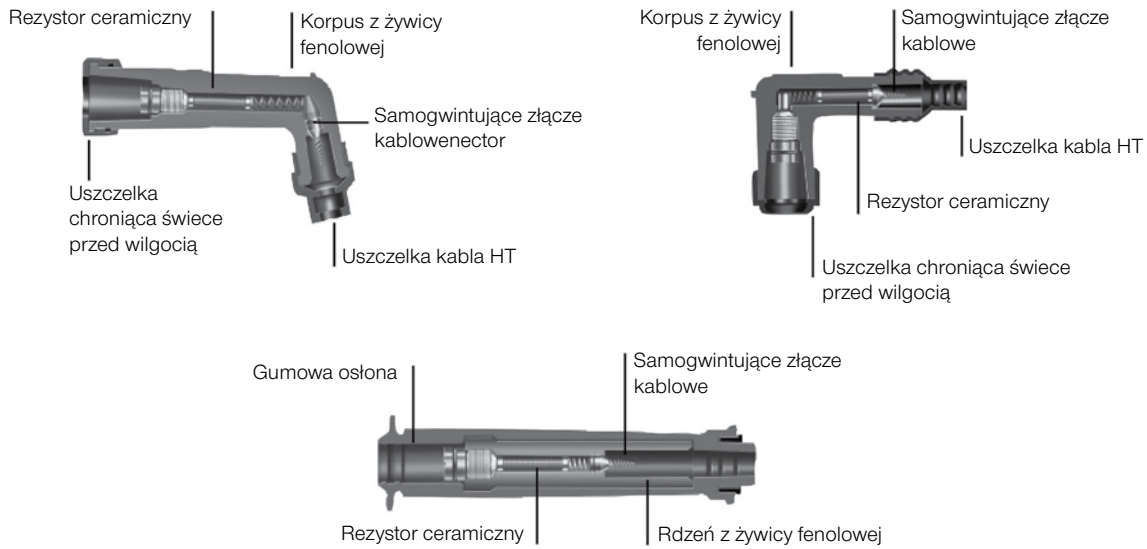
## NGK DİRENÇLİ BUJİ BAŞLIKLARI



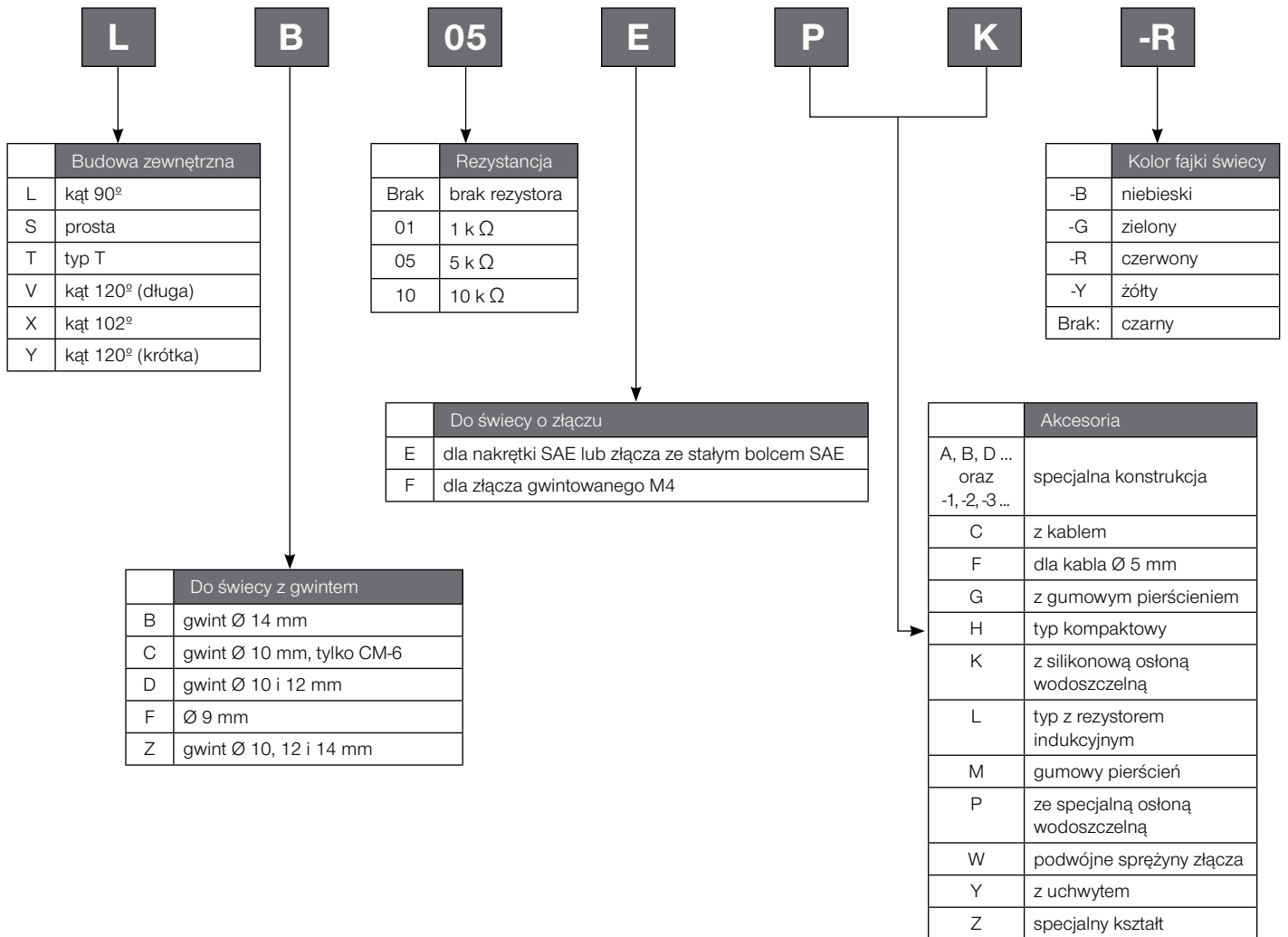
## BUJİ BAŞLIKLARI KOD AÇIKLAMA TABLOSU

L	B	05	E	P	K	-R																																																																															
<table border="1"> <thead> <tr> <th></th> <th>Dış görünüm</th> </tr> </thead> <tbody> <tr> <td>L</td> <td>90° dirsek tip</td> </tr> <tr> <td>S</td> <td>Düz tip</td> </tr> <tr> <td>T</td> <td>T tip</td> </tr> <tr> <td>V</td> <td>120° dirsek tip (uzun)</td> </tr> <tr> <td>X</td> <td>102° dirsek tip</td> </tr> <tr> <td>Y</td> <td>dirsek tip (kısa)</td> </tr> </tbody> </table>		Dış görünüm	L	90° dirsek tip	S	Düz tip	T	T tip	V	120° dirsek tip (uzun)	X	102° dirsek tip	Y	dirsek tip (kısa)	<table border="1"> <thead> <tr> <th></th> <th>Direnç</th> </tr> </thead> <tbody> <tr> <td>Boş</td> <td>/</td> </tr> <tr> <td>01</td> <td>1 k <math>\Omega</math></td> </tr> <tr> <td>05</td> <td>5 k <math>\Omega</math></td> </tr> <tr> <td>10</td> <td>10 k <math>\Omega</math></td> </tr> </tbody> </table>		Direnç	Boş	/	01	1 k $\Omega$	05	5 k $\Omega$	10	10 k $\Omega$	<table border="1"> <thead> <tr> <th></th> <th>Buji başlığı rengi</th> </tr> </thead> <tbody> <tr> <td>-B</td> <td>Mavi</td> </tr> <tr> <td>-G</td> <td>Yeşil</td> </tr> <tr> <td>-R</td> <td>Kırmızı</td> </tr> <tr> <td>-Y</td> <td>Sarı</td> </tr> <tr> <td>Boş</td> <td>Siyah</td> </tr> </tbody> </table>		Buji başlığı rengi	-B	Mavi	-G	Yeşil	-R	Kırmızı	-Y	Sarı	Boş	Siyah	<table border="1"> <thead> <tr> <th></th> <th>Buji soketi</th> </tr> </thead> <tbody> <tr> <td>E</td> <td>Somunlu soket yada sabit başlıklar için</td> </tr> <tr> <td>F</td> <td>Vida dişli soketliler için</td> </tr> </tbody> </table>		Buji soketi	E	Somunlu soket yada sabit başlıklar için	F	Vida dişli soketliler için	<table border="1"> <thead> <tr> <th></th> <th>Aksesuar</th> </tr> </thead> <tbody> <tr> <td>A, B, D ... ve -1, -2, -3 ...</td> <td>Özel tasarım</td> </tr> <tr> <td>C</td> <td>Kablo ile</td> </tr> <tr> <td>F</td> <td>5mm çaplı kablolar için</td> </tr> <tr> <td>G</td> <td>Kauçuk rondelalı</td> </tr> <tr> <td>H</td> <td>Kompact tip</td> </tr> <tr> <td>K</td> <td>Silikon su geçirmez kılıf ile</td> </tr> <tr> <td>L</td> <td>Endükleiyici dirençli tip</td> </tr> <tr> <td>M</td> <td>Kauçuk kılıflı</td> </tr> <tr> <td>P</td> <td>Özel su geçirmez kılıf ile</td> </tr> <tr> <td>W</td> <td>Çift bağlantı yaylı</td> </tr> <tr> <td>Y</td> <td>Kulplu</td> </tr> <tr> <td>Z</td> <td>Özel şekil</td> </tr> </tbody> </table>		Aksesuar	A, B, D ... ve -1, -2, -3 ...	Özel tasarım	C	Kablo ile	F	5mm çaplı kablolar için	G	Kauçuk rondelalı	H	Kompact tip	K	Silikon su geçirmez kılıf ile	L	Endükleiyici dirençli tip	M	Kauçuk kılıflı	P	Özel su geçirmez kılıf ile	W	Çift bağlantı yaylı	Y	Kulplu	Z	Özel şekil	<table border="1"> <thead> <tr> <th></th> <th>Buji vida dişi ölçüsü</th> </tr> </thead> <tbody> <tr> <td>B</td> <td>14mm vida dişi</td> </tr> <tr> <td>C</td> <td>Sadece CM-6 için 10mm vida dişi</td> </tr> <tr> <td>D</td> <td>Ø 10 &amp; 12 mm vida dişi</td> </tr> <tr> <td>F</td> <td>Ø 9 mm</td> </tr> <tr> <td>Z</td> <td>Ø 10, 12 &amp; 14 mm vida dişi</td> </tr> </tbody> </table>		Buji vida dişi ölçüsü	B	14mm vida dişi	C	Sadece CM-6 için 10mm vida dişi	D	Ø 10 & 12 mm vida dişi	F	Ø 9 mm	Z	Ø 10, 12 & 14 mm vida dişi
	Dış görünüm																																																																																				
L	90° dirsek tip																																																																																				
S	Düz tip																																																																																				
T	T tip																																																																																				
V	120° dirsek tip (uzun)																																																																																				
X	102° dirsek tip																																																																																				
Y	dirsek tip (kısa)																																																																																				
	Direnç																																																																																				
Boş	/																																																																																				
01	1 k $\Omega$																																																																																				
05	5 k $\Omega$																																																																																				
10	10 k $\Omega$																																																																																				
	Buji başlığı rengi																																																																																				
-B	Mavi																																																																																				
-G	Yeşil																																																																																				
-R	Kırmızı																																																																																				
-Y	Sarı																																																																																				
Boş	Siyah																																																																																				
	Buji soketi																																																																																				
E	Somunlu soket yada sabit başlıklar için																																																																																				
F	Vida dişli soketliler için																																																																																				
	Aksesuar																																																																																				
A, B, D ... ve -1, -2, -3 ...	Özel tasarım																																																																																				
C	Kablo ile																																																																																				
F	5mm çaplı kablolar için																																																																																				
G	Kauçuk rondelalı																																																																																				
H	Kompact tip																																																																																				
K	Silikon su geçirmez kılıf ile																																																																																				
L	Endükleiyici dirençli tip																																																																																				
M	Kauçuk kılıflı																																																																																				
P	Özel su geçirmez kılıf ile																																																																																				
W	Çift bağlantı yaylı																																																																																				
Y	Kulplu																																																																																				
Z	Özel şekil																																																																																				
	Buji vida dişi ölçüsü																																																																																				
B	14mm vida dişi																																																																																				
C	Sadece CM-6 için 10mm vida dişi																																																																																				
D	Ø 10 & 12 mm vida dişi																																																																																				
F	Ø 9 mm																																																																																				
Z	Ø 10, 12 & 14 mm vida dişi																																																																																				

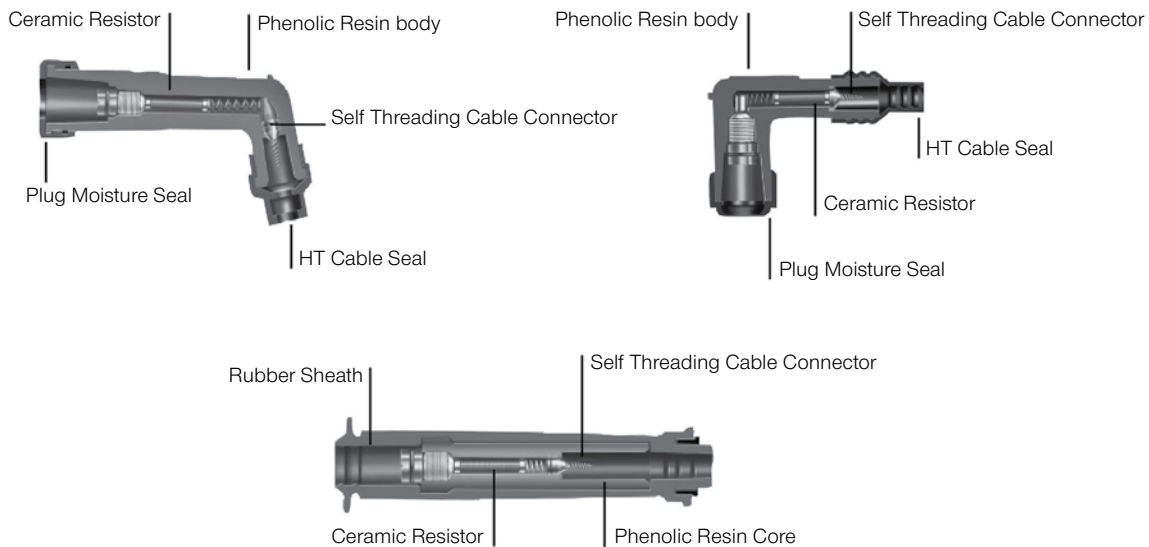
## FAJKI DO ŚWIEC ZAPŁONOWYCH



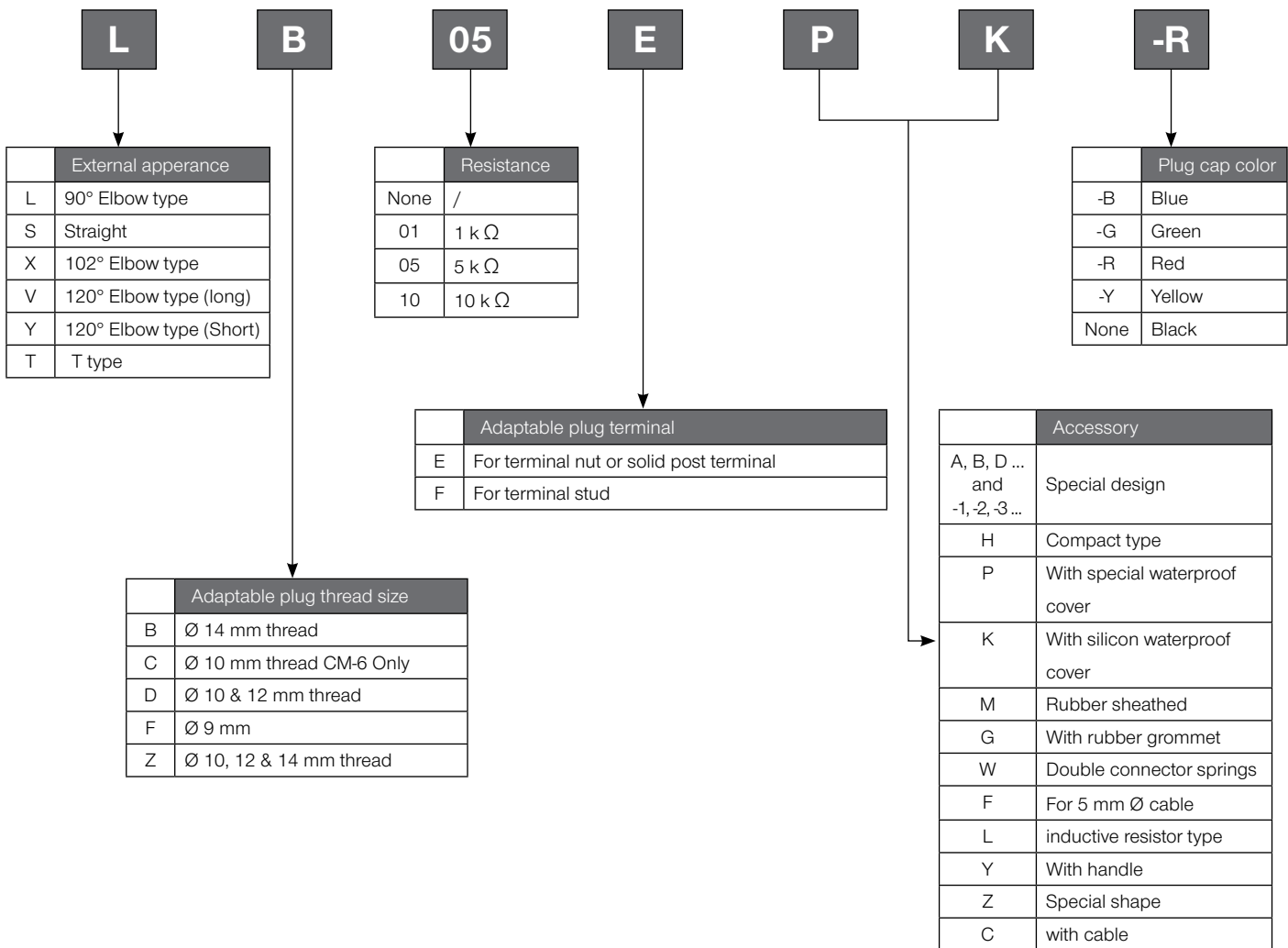
## OZNAKOWANIE FAJEK DO ŚWIEC ZAPŁONOWYCH



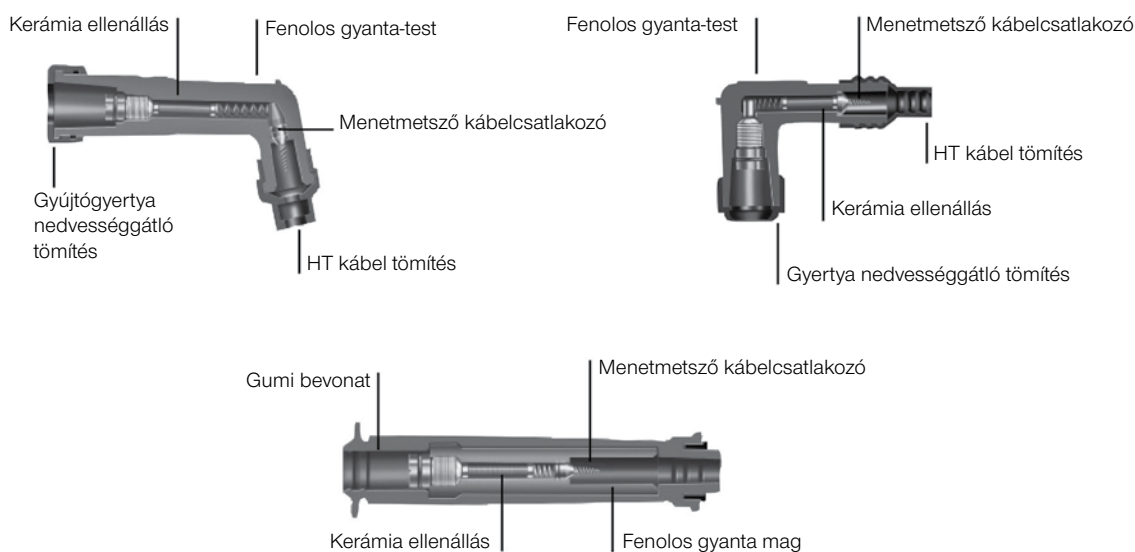
## NGK RESISTOR PLUG COVERS



## COVER SYMBOLS EXPLANATION CHART



## NGK ELLENÁLLÁS GYERTYAPIPÁK



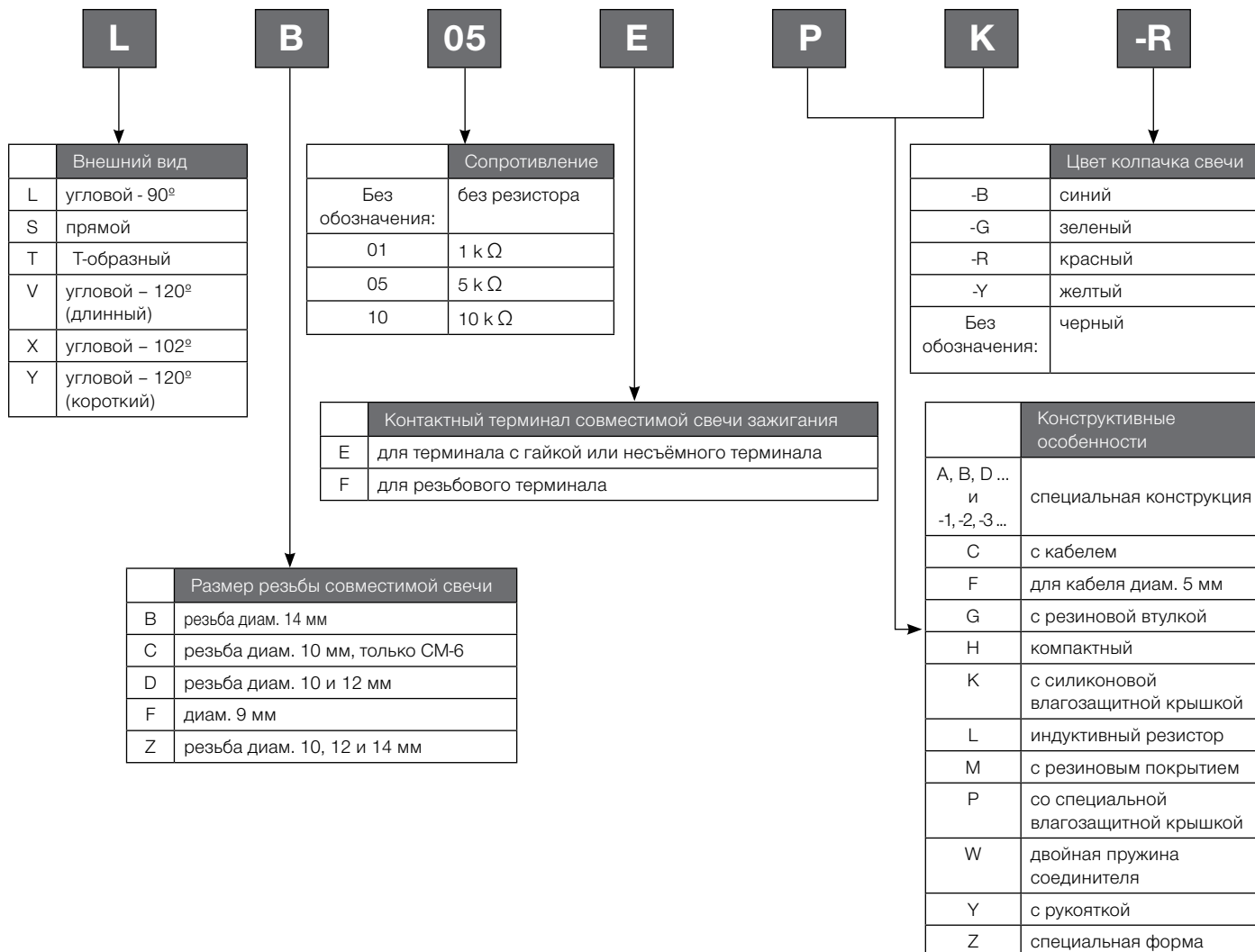
## TÁBLÁZAT SZIGNIFIKANCIA KÓD

L	B	05	E	P	K	-R																																																																													
<table border="1"> <thead> <tr> <th></th> <th>Küls megjelenés</th> </tr> </thead> <tbody> <tr> <td>L</td> <td>90°-os könyök típus</td> </tr> <tr> <td>S</td> <td>Egyenes</td> </tr> <tr> <td>T</td> <td>T típus</td> </tr> <tr> <td>V</td> <td>120°-os könyök típus (hosszú)</td> </tr> <tr> <td>X</td> <td>102°-os könyök típus</td> </tr> <tr> <td>Y</td> <td>120°-os könyök típus (rövid)</td> </tr> </tbody> </table>		Küls megjelenés	L	90°-os könyök típus	S	Egyenes	T	T típus	V	120°-os könyök típus (hosszú)	X	102°-os könyök típus	Y	120°-os könyök típus (rövid)	<table border="1"> <thead> <tr> <th></th> <th>Ellenállás</th> </tr> </thead> <tbody> <tr> <td>Egyik sem</td> <td>Nincs ellenállás</td> </tr> <tr> <td>01</td> <td>1 k Ω</td> </tr> <tr> <td>05</td> <td>5 k Ω</td> </tr> <tr> <td>10</td> <td>10 k Ω</td> </tr> </tbody> </table>		Ellenállás	Egyik sem	Nincs ellenállás	01	1 k Ω	05	5 k Ω	10	10 k Ω	<table border="1"> <thead> <tr> <th></th> <th>Csatlakozás</th> </tr> </thead> <tbody> <tr> <td>E</td> <td>Anyacsavarhoz vagy a tömör csatlakozóvéghez</td> </tr> <tr> <td>F</td> <td>Biztosítókapocshoz</td> </tr> </tbody> </table>		Csatlakozás	E	Anyacsavarhoz vagy a tömör csatlakozóvéghez	F	Biztosítókapocshoz	<table border="1"> <thead> <tr> <th></th> <th>Gyertyapípa színe</th> </tr> </thead> <tbody> <tr> <td>-B</td> <td>Kék</td> </tr> <tr> <td>-G</td> <td>Zöld</td> </tr> <tr> <td>-R</td> <td>Piros</td> </tr> <tr> <td>-Y</td> <td>Sárga</td> </tr> <tr> <td>Egyik sem</td> <td>Fekete</td> </tr> </tbody> </table>		Gyertyapípa színe	-B	Kék	-G	Zöld	-R	Piros	-Y	Sárga	Egyik sem	Fekete	<table border="1"> <thead> <tr> <th></th> <th>Accessory</th> </tr> </thead> <tbody> <tr> <td>A, B, D ... és -1, -2, -3 ...</td> <td>Speciális kialakítás</td> </tr> <tr> <td>C</td> <td>Kábelrel</td> </tr> <tr> <td>F</td> <td>5 mm-es Ø kábelhez</td> </tr> <tr> <td>G</td> <td>Gumitömlővel</td> </tr> <tr> <td>H</td> <td>Kompakt</td> </tr> <tr> <td>K</td> <td>Szilikon vízálló kupakkal</td> </tr> <tr> <td>L</td> <td>Induktív ellenállás típus</td> </tr> <tr> <td>M</td> <td>Gumitömítés</td> </tr> <tr> <td>P</td> <td>Speciális vízálló kupakkal</td> </tr> <tr> <td>W</td> <td>Dupla csatlakozó rugó</td> </tr> <tr> <td>Y</td> <td>Fogantyúval</td> </tr> <tr> <td>Z</td> <td>Különleges alak</td> </tr> </tbody> </table>		Accessory	A, B, D ... és -1, -2, -3 ...	Speciális kialakítás	C	Kábelrel	F	5 mm-es Ø kábelhez	G	Gumitömlővel	H	Kompakt	K	Szilikon vízálló kupakkal	L	Induktív ellenállás típus	M	Gumitömítés	P	Speciális vízálló kupakkal	W	Dupla csatlakozó rugó	Y	Fogantyúval	Z	Különleges alak	<table border="1"> <thead> <tr> <th></th> <th>Csatlakoztatható gyertyamenet méret</th> </tr> </thead> <tbody> <tr> <td>B</td> <td>Ø 14 mm-es menet</td> </tr> <tr> <td>C</td> <td>Ø 10 mm-es menet Csak CM-6</td> </tr> <tr> <td>D</td> <td>Ø 10 és 12 mm-es menetek</td> </tr> <tr> <td>F</td> <td>Ø 9 mm</td> </tr> </tbody> </table>		Csatlakoztatható gyertyamenet méret	B	Ø 14 mm-es menet	C	Ø 10 mm-es menet Csak CM-6	D	Ø 10 és 12 mm-es menetek	F	Ø 9 mm
	Küls megjelenés																																																																																		
L	90°-os könyök típus																																																																																		
S	Egyenes																																																																																		
T	T típus																																																																																		
V	120°-os könyök típus (hosszú)																																																																																		
X	102°-os könyök típus																																																																																		
Y	120°-os könyök típus (rövid)																																																																																		
	Ellenállás																																																																																		
Egyik sem	Nincs ellenállás																																																																																		
01	1 k Ω																																																																																		
05	5 k Ω																																																																																		
10	10 k Ω																																																																																		
	Csatlakozás																																																																																		
E	Anyacsavarhoz vagy a tömör csatlakozóvéghez																																																																																		
F	Biztosítókapocshoz																																																																																		
	Gyertyapípa színe																																																																																		
-B	Kék																																																																																		
-G	Zöld																																																																																		
-R	Piros																																																																																		
-Y	Sárga																																																																																		
Egyik sem	Fekete																																																																																		
	Accessory																																																																																		
A, B, D ... és -1, -2, -3 ...	Speciális kialakítás																																																																																		
C	Kábelrel																																																																																		
F	5 mm-es Ø kábelhez																																																																																		
G	Gumitömlővel																																																																																		
H	Kompakt																																																																																		
K	Szilikon vízálló kupakkal																																																																																		
L	Induktív ellenállás típus																																																																																		
M	Gumitömítés																																																																																		
P	Speciális vízálló kupakkal																																																																																		
W	Dupla csatlakozó rugó																																																																																		
Y	Fogantyúval																																																																																		
Z	Különleges alak																																																																																		
	Csatlakoztatható gyertyamenet méret																																																																																		
B	Ø 14 mm-es menet																																																																																		
C	Ø 10 mm-es menet Csak CM-6																																																																																		
D	Ø 10 és 12 mm-es menetek																																																																																		
F	Ø 9 mm																																																																																		

## КОЛПАЧКИ ДЛЯ СВЕЧЕЙ ЗАЖИГАНИЯ С РЕЗИСТОРОМ NGK

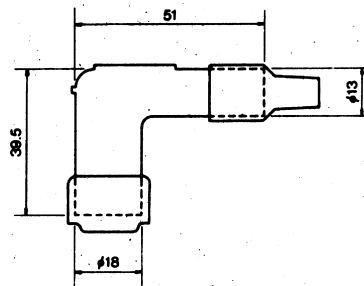


## РАСШИФРОВКА МАРКИРОВКИ



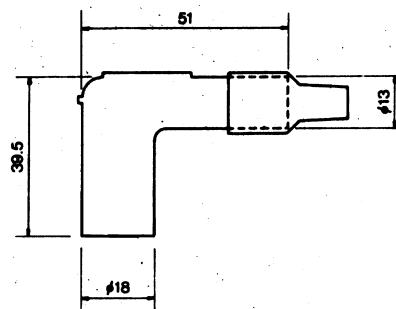
Basic	Type	Stock-No.	Colour	R [kΩ]	Ø [mm]	Terminal
<b>L</b>	L05EL	8323	black	5	14	
	LB - E	8302	black	/		
<b>LB</b>	LB01E	8011	black	1		
	LB05E - R	8898	red	5		
	LB05E	8031	black	5		
	LB10E	8349	black	10		
	LB - F	8309	black	/		
	LB01F	8330	black	1		
	LB01FF	8331	black	1		
	LB05F	8051	black	5		
	LB05F - R	8854	red	5		
	LB05FF	30326	black	5		
	LB10F	8358	black	10		
	LB10FF	8359	black	10		
<b>LD</b>	LD05E	6902	black	5	10-12	
	LD05EH	92248	black	5		
	LD - F	8311	black	/		
	LD01F	8362	black	1		
	LD05F - R	8231	red	5		
	LD05F	8060	black	5		
	LD10F	8997	black	10		

Phenolic Resin







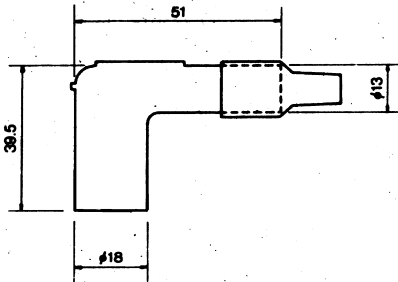
Basic	Type	Stock-No.	Colour	R [kΩ]	Ø [mm]	Terminal
<b>LB</b>	LB01EP	8328	black	1	14	
	LB05EP	8020	black	5		
	LB - EPK	8304	black	/		
	LB05EPK	8342	black	5		
	LB01FP	8088	black	1		
	LB05FP	8030	black	5		
<b>LD</b>	LD05FP	8070	black	5	10 - 12	




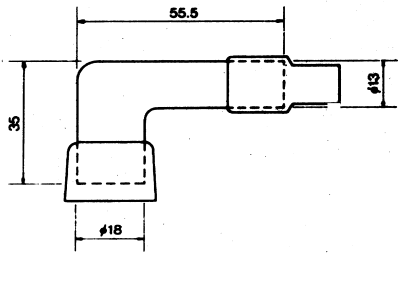
Phenolic Resin




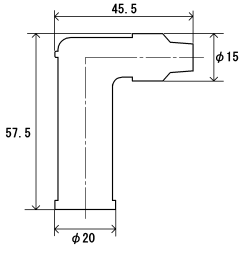






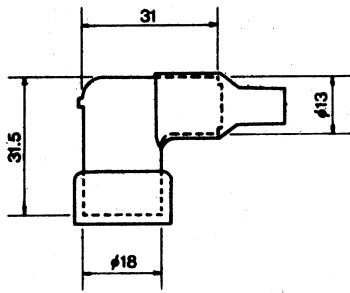
Basic	Type	Stock-No.	Colour	R [kΩ]	 Ø [mm]	Terminal
LZ	LZ05F	8368	black	5	10-12-14	
Phenolic Resin						
						



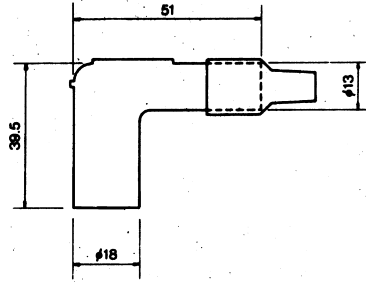
Basic	Type	Stock-No.	Colour	R [kΩ]	 Ø [mm]	Terminal
LB	LB05FG	8346	black	5	14	
Phenolic Resin						
						
						

Basic	Type	Stock-No.	Colour	R [kΩ]	 Ø [mm]	Terminal
LB	LB05EZ	8744	black	5	14	
Phenolic Resin						
						
						




Basic	Type	Stock-No.	Colour	R [kΩ]	 Ø [mm]	Terminal
L	L05EA	6667	black	5		
Phenolic Resin						
						
						

Basic	Type	Stock-No.	Colour	R [kΩ]	Ø [mm]	Terminal
L	L - EH	8301	black	/		
Phenolic Resin						
						

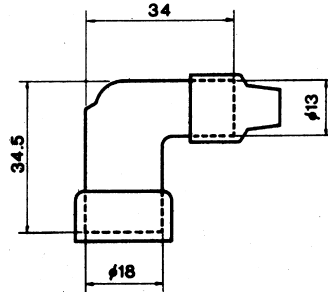
Basic	Type	Stock-No.	Colour	R [kΩ]	Ø [mm]	Terminal
LB	LB01EH	8326	black	1	14	
	LB01EHF	8327	black	1		
	LB05EH	8334	black	5		
	LB05EHF	8336	black	5		
	LB10EH	8351	black	10		
	LB10EHF	8055	black	10		
	LB - FH	8310	black	/		
LD	LD - FH	8313	black	/	10-12	
Phenolic Resin						
 						


Basic	Type	Stock-No.	Colour	R [kΩ]	Ø [mm]	Terminal
LB	LB10EHAK	8719	black	10	14	
Phenolic Resin						
 						



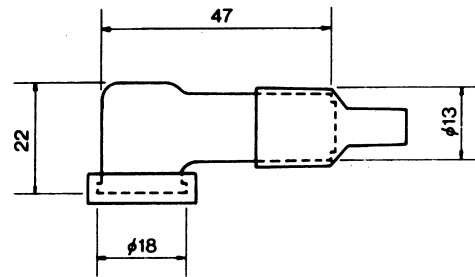
Basic	Type	Stock-No.	Colour	R [kΩ]	 Ø [mm]	Terminal
LZ	LZEH	8760	black	/	10-12-14	
	LZFH	8710	black	/		



Phenolic Resin



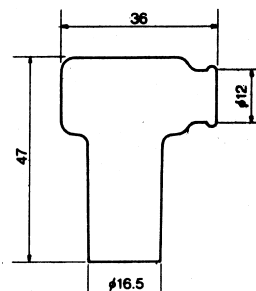
Basic	Type	Stock-No.	Colour	R [kΩ]	 Ø [mm]	Terminal
LC	LC05EFK	8050	black	5	CM6	



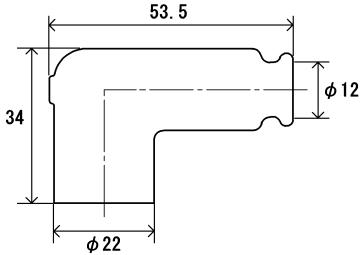
Phenolic Resin



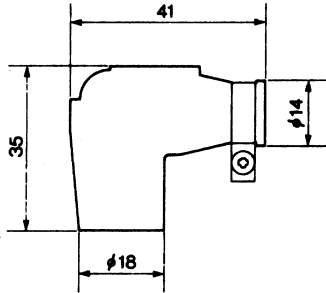







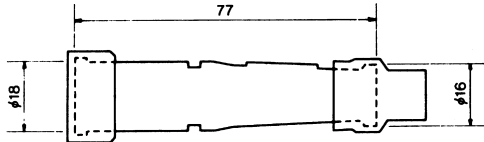
Basic	Type	Stock-No.	Colour	R [kΩ]	 Ø [mm]	Terminal
LB	LBO5EMH	8338	black	5	14	
	LBO5EMH-R	8160	red	5		

Rubber sheathed



Basic	Type	Stock-No.	Colour	R [kΩ]	Ø [mm]	Terminal
<b>LB</b>	LB05EMHA	8549	red	5	14	
Rubber sheated  						

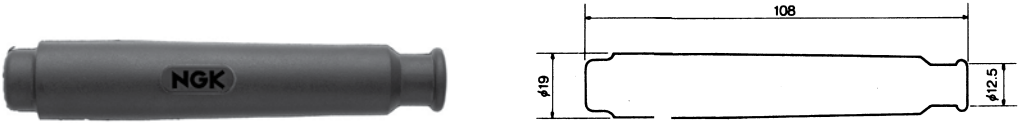
Basic	Type	Stock-No.	Colour	R [kΩ]	Ø [mm]	Terminal
<b>LB</b>	LBER - B	8308	blue	/	14	
Silikon Rubber  						

Basic	Type	Stock-No.	Colour	R [kΩ]	Ø [mm]	Terminal
<b>SB</b>	SB01E	8370	black	1	14	
	SB05E	8374	black	5		
	SB10E	8803	black	10		
	SB01F	8372	black	1		
	SB05F	8080	black	5		
	SB05F - R	8567	red	5		
	SB10F	8387	black	10		
<b>SD</b>	SD05E	6894	black	5	10-12	
	SD01F	8388	black	1		
	SD05F	8022	black	5		
	SD05F - R	8238	red	5		
	SD10F	8394	black	10		
<b>SZ</b>	SZ05F	8396	black	5	10-12-14	
Phenolic Resin  						






Basic	Type	Stock-No.	Colour	R [kΩ]	Ø [mm]	Terminal
<b>SB</b>	SB05FP	8386	black	5	14	↓
<b>SD</b>	SD05FP	8325	black	5	10 - 12	
Phenolic Resin						
						

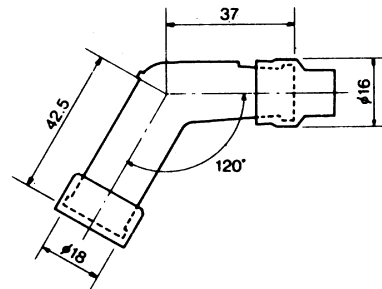
Basic	Type	Stock-No.	Colour	R [kΩ]	Ø [mm]	Terminal
<b>SD</b>	SD05EG	5818	black	5	10-12	↓
<b>SF</b>	SF05EGK	95554	black	5	9	
Phenolic Resin						
						

Basic	Type	Stock-No.	Colour	R [kΩ]	Ø [mm]	Terminal
<b>SD</b>	SD05FM	8392	black	5	10-12	↓
	SD05FM - R	8673	red	5		
	SD05EM	92549	black	5		
Rubber sheathed						
						

Basic	Type	Stock-No.	Colour	R [kΩ]	Ø [mm]	Terminal
<b>SD</b>	SD05FGA	8683	black	5	10-12	↓
Phenolic Resin						
						
<p>Application: Honda VT 600, XL 600</p>						

Basic	Type	Stock-No.	Colour	R [kΩ]	Ø [mm]	Terminal
<b>VB</b>	VB01E	8405	black	1	14	
	VB05E	8408	black	5		
	VB - F	8913	black	/		
	VB01F	8406	black	1		
	VB05F	8032	black	5		
	VB05F - R	8759	red	5		
	VB10F	8414	black	10		
<b>VD</b>	VD01F	8415	black	1	10-12	
	VD05F	8052	black	5		
	VD05F - R	8376	red	5		
	VD10F	8430	black	10		


Phenolic Resin



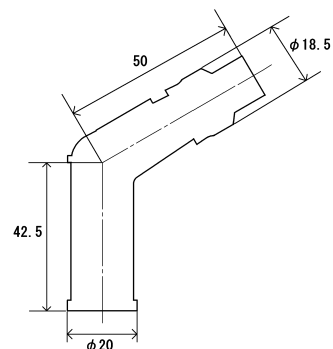
Basic	Type	Stock-No.	Colour	R [kΩ]	Ø [mm]	Terminal
<b>VB</b>	VB05FP	8413	black	5	14	


Phenolic Resin



Basic	Type	Stock-No.	Colour	R [kΩ]	Ø [mm]	Terminal
<b>V</b>	V05E	6665	black	5		


Phenolic Resin




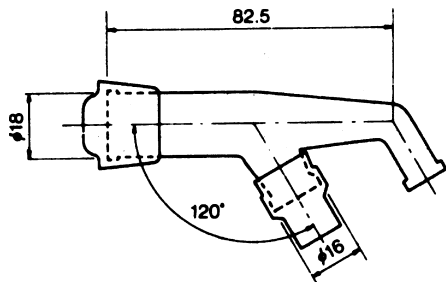
Basic	Type	Stock-No.	Colour	R [kΩ]	Ø [mm]	Terminal
<b>VD</b>	VD05EG	5817	black	5	10-12	
<b>VF</b>	VF05EGAK	92755	black	5	9	


Phenolic Resin




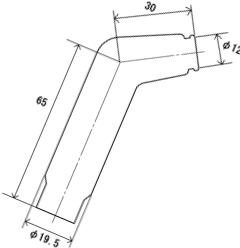
Basic	Type	Stock-No.	Colour	R [kΩ]	Ø [mm]	Terminal
<b>VB</b>	VB05EYK	8411	black	5	14	


Phenolic Resin


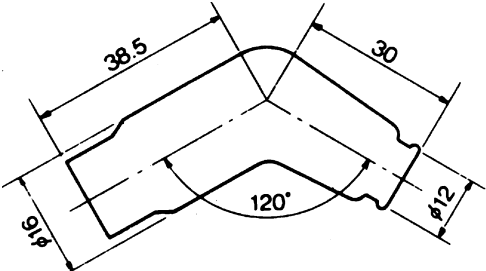
Basic	Type	Stock-No.	Colour	R [kΩ]	Ø [mm]	Terminal
<b>VD</b>	VD05EM	8422	black	5	10-12	
<b>VF</b>	VF05EMK	92648	black	5	9	



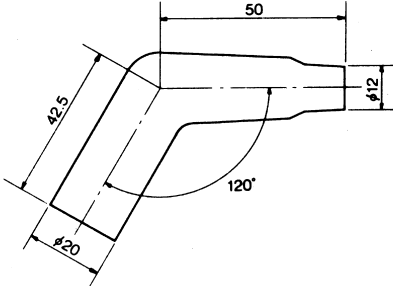
Rubber sheathed




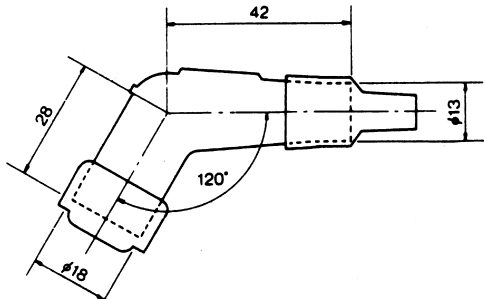







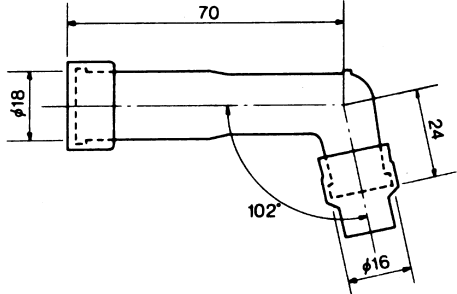
Basic	Type	Stock-No.	Colour	R [kΩ]	Ø [mm]	Terminal
<b>VD</b>	VD05EMH	7744	black	5	10-12	
	VD05FMH	8425	black	5		

Rubber sheathed



Basic	Type	Stock-No.	Colour	R [kΩ]	Ø [mm]	Terminal
<b>VD</b>	VD05FML	8427	black	5	10-12	
<p>Rubber sheathed</p>  						

Basic	Type	Stock-No.	Colour	R [kΩ]	Ø [mm]	Terminal
<b>YB</b>	YB01F	8446	black	1	14	
	YB05F	8082	black	5		
	YB05F	8162	red	5		
	YB10F	8449	black	10		
<b>YD</b>	YD01F	8450	black	1	10-12	
	YD05F	8454	black	5		
	YD05F	8453	red	5		
<p>Phenolic Resin</p>  						

Basic	Type	Stock-No.	Colour	R [kΩ]	Ø [mm]	Terminal
<b>XB</b>	XB01F	8431	black	1	14	
	XB05F	8062	black	5		
	XB05F - R	8592	red	5		
	XB10F	8436	black	10		
<b>XD</b>	XD01F	8439	black	1	10-12	
	XD05F	8072	black	5		
	XD05F - R	8768	red	5		
	XD10F	8442	black	10		
<b>XZ</b>	XZ01F	8443	black	1	10-12-14	
	XZ05F	8444	black	5		
<p>Phenolic Resin</p>  						





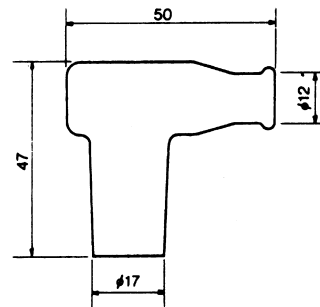
Basic	Type	Stock-No.	Colour	R [kΩ]	 Ø [mm]	Terminal
<b>XB</b>	XB05FP	8435	black	5	14	
<b>XD</b>	XD05FP	8641	black	5	10 - 12	



Phenolic Resin



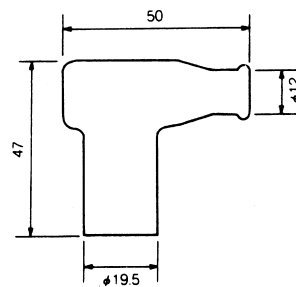
Basic	Type	Stock-No.	Colour	R [kΩ]	 Ø [mm]	Terminal
<b>TB</b>	TB05EM - R	8955	red	5	14	
	TB10EM - Y	8404	yellow	10		



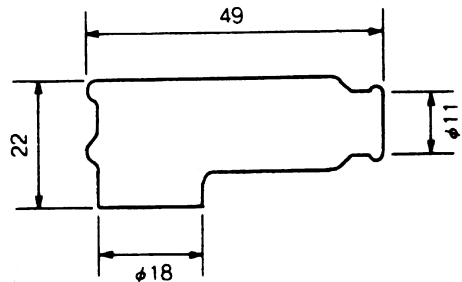
Rubber sheathed



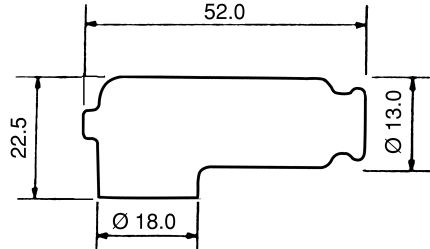




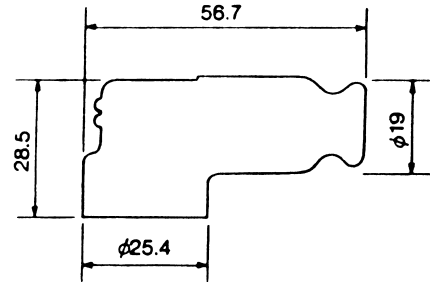
Basic	Type	Stock-No.	Colour	R [kΩ]	 Ø [mm]	Terminal
<b>TB</b>	TB05EMA	8636	black	5	14	



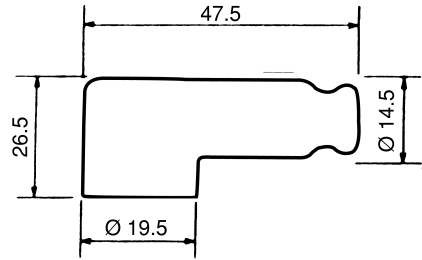
Rubber sheathed





Basic	Type	Stock-No.	Colour	R [kΩ]		Terminal
<b>TB</b>	TRS1225 - B	8787	blue	5	R6120 A/C/M R7282 A/C/M	
<p>Rubber sheathed</p>  						

Basic	Type	Stock-No.	Colour	R [kΩ]		Terminal
<b>TB</b>	TRS1233A - R	8929	red	5	R6120 A/C/M R7282 A/C/M	
	TRS1233B - Y	8897	yellow	5		
	TRS1233C - G	8546	green	5		
<p>Rubber sheathed</p>  						


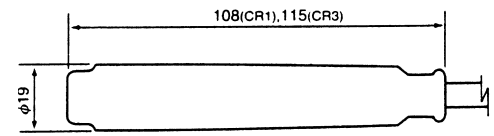
Basic	Type	Stock-No.	Colour	R [kΩ]		Terminal
<b>TB</b>	TRS1408F - B	8871	blue	5	R5300A R5300N	
<p>Rubber sheathed</p>  						

Basic	Type	Stock-No.	Colour	R [kΩ]		Terminal
<b>TB</b>	TRS1409 - R	8733	red	5	R5540F	
<p>Rubber sheathed</p>  						



Basic	Type	Stock-No.	Colour	R [kΩ]	Ø [mm]	Terminal
CR	CR1	8035	red	5	10-12-14	
	CR3	8089	red	5		

Rubber sheathed




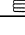



red  
500 mm

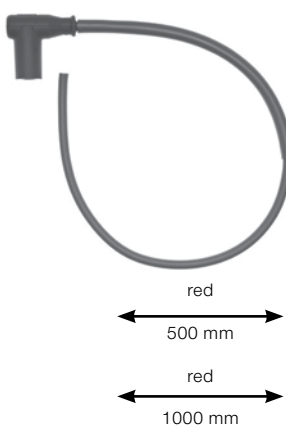
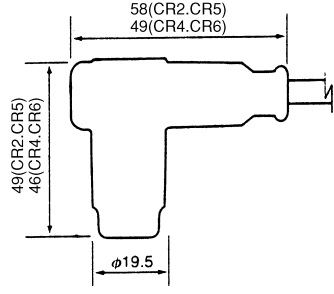
108(CR1), 115(CR3)

φ19

CR1: SD05FM CR3: SD05EMK

Basic	Type	Stock-No.	Colour	R [kΩ]	Ø [mm]	Terminal
CR	CR2	8048	red	5	10-12-14	
	CR4	8054	red	5		
	CR5	8515	red	5		
	CR6	8736	red	5		

Rubber sheathed

red  
500 mm

red  
1000 mm


58(CR2,CR5)  
49(CR4,CR6)

48(CR2,CR5)  
46(CR4,CR6)

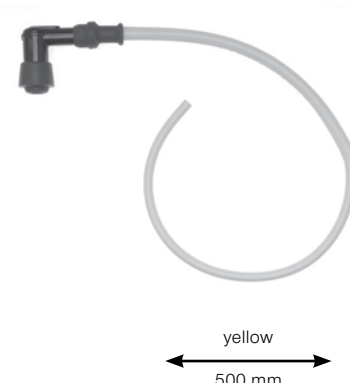
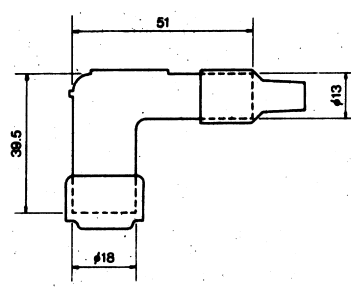
φ19.5

CR2: LZ05FM CR4: TB05EMA

CR5: LZ05FM CR6: TB05EMA

Basic	Type	Stock-No.	Colour	R [kΩ]	Ø [mm]	Terminal
	LY11	8718	red	5	10-12-14	

Phenolic Resin

yellow  
500 mm



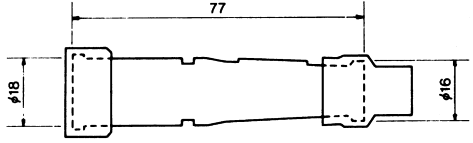
51



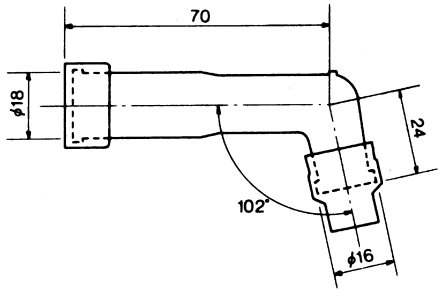
38.5



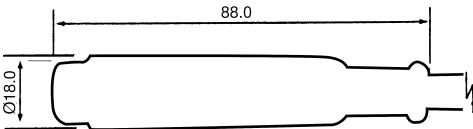
φ18

φ13



LZ05F


Basic	Type	Stock-No.	Colour	R [kΩ]	Ø [mm]	Terminal
	SY11	8539	red	5	10-12-14	
<p>Phenolic Resin</p>   <p style="text-align: center;">yellow ↔ 500 mm</p> <p style="text-align: right;">SZ05F</p>						

Basic	Type	Stock-No.	Colour	R [kΩ]	Ø [mm]	Terminal
	XY11	8584	red	5	10-12-14	
<p>Phenolic Resin</p>   <p style="text-align: center;">yellow ↔ 500 mm</p> <p style="text-align: right;">XZ05F</p>						

Basic	Type	Stock-No.	Colour	R [kΩ]	Ø [mm]	Terminal
	SD05FMC	8393	black	5	10-12	
<p>Rubber sheathed</p>   <p style="text-align: center;">red ↔ 500 mm</p> <p style="text-align: right;">SD05FMC</p>						



Basic	Type	Stock-No.	Colour	R [kΩ]	Ø [mm]	Terminal
	RC-X140	5937	black	5	10-12	
<p>Phenolic Resin</p>  <p style="text-align: center;">black 350 mm</p> <p style="text-align: right;">LD05EAK</p>						

Basic	Type	Stock-No.	Colour	R [kΩ]	Ø [mm]	Terminal
	J-1	8739	black	/		
						



Stock No.

**APRILIA**

GL 50		50	1993-		LB05F	8051
LX 50		50	1993-		LB05F	8051
RS 50 Extrema		50	1993-		LB05F	8051
RS 50 Replica		50	1993-		LB05F	8051
Scarabeo 50 2T		50	1993-2003		LB05EPK	8342
Scarabeo 50 Street	TG	50	2005-		LB05EPK	8342
Scarabeo De Luxe	PF	50	1998-2003		LB05F	8051
Sportcity One 50 2T Street		50	2008-		LB05EPK	8342
Mojito Custom 125	PM010	125	2002-		LB05E-R	8898
Scarabeo 125	PCA00	125	1999-2009		V05E	6665
Scarabeo 125 GT	PCA00	125	2002-2007		V05E	6665
Scarabeo 125 i.e.	PCA00	125	2009-		V05E	6665
Sportcity 125	VBE00	125	-		LB05E-R	8898
Sportcity One 125	SG000	125	2008-		V05E	6665
Leonardo ST	MB000	150	2002-2006		LB05E-R	8898
Mojito 150		150	2003-2006		LB05E-R	8898
Scarabeo 200		200	2000-2009		V05E	6665
Scarabeo 200 i.e.	RBM	200	2009-		V05E	6665
Sportcity Cube 200		200	2008-		V05E	6665
Scarabeo 250	VRB00	250	2004-		V05E	6665
Scarabeo 300 Special		278	2009-		V05E	6665
Sportcity Cube 300	VBL00	278	2008-		V05E	6665
Scarabeo 500	RT00	500	2002-2005		V05E	6665

**BETA**

EVO 80		80	2008-		LB05EMHR	8160
EVO 80 JUNIOR		80	2008-		LB05EMHR	8160
EVO 250 4T		250	2008-		VD05EG	5817
EVO 300 4T		300	2008-		VD05EG	5817

**CAGIVA**

All		175	-		LB05F	8051
All		200	-		LB05F	8051
Ala Blu 350		350	-		LB05F	8051
Ala Verde 350		350	-		LB05F	8051
Lucky 350		350	-		LB05F	8051
W12		350	1994-		SD05FP	8325
W16		600	1994-		SB05F	8080

**DAELIM**

125 Daystar		125	2000-		XB01F	8431
VC 125	VC125F	125	1997-		XB01F	8431
VC 125 Advance		125	1995-		XB01F	8431
VS 125	VS125FK	125	1997-		XB01F	8431
VT 125 Evolution		125	1998-		XB01F	8431

**GAS GAS**

TT 125		125	-	LB05F/CR2	LB05F	8051
TT 200		200	-	LB05F/CR2	LB05F	8051
Cross 250		250	-	LB05F/CR2	LB05F	8051
TT 250		250	-	LB05F/CR2	LB05F	8051
TT 300		300	-	LB05F/CR2	LB05F	8051

**GILERA**

CB1 4V		50	-		LB05F	8051
--------	--	----	---	--	-------	------





Stock No.

**GILERA**

Trial		50	-		LB05F	8051
125 5V Regolarità		125	-		LB05F	8051
125 SV Regolarità		125	-		LB05F	8051
Runner 200 VXR		200	-		V05E	6665
Runner ST 200	M46401	200	2008-		V05E	6665
Nexus 300	M35600	300	2009-		V05E	6665
Fuoco 500	M35200	500	2007-		V05E	6665
Nexus 500		500	2003-2004		V05E	6665
Nexus 500	M35100	500	2005-		V05E	6665
GP 800		840	2007-	VD05EMH + VD05EM	VD05EM	8422
GP 800		840	2007-	VD05EMH + VD05EM	VD05EMH	7744

**HERCULES**

Jogging		50	-		LB05F	8051
Lastboy		50	-		LB05F	8051
Optima 50		50	-		LB05F	8051
Prima 4		50	-		LB05F	8051
Prima 4LN,5LN		50	-		LB05F	8051
Prima 5		50	-		LB05F	8051
Prima 6		50	-		LB05F	8051
Prima G3		50	-		LB05F	8051
Prima GT,GX		50	-		LB05F	8051
Prima Presto		50	-		LB05F	8051
Prima Pronto		50	-		LB05F	8051
Prima S		50	-		LB05F	8051
Prima SL		50	-		LB05F	8051
Prima SX		50	-		LB05F	8051
K 100 X		100	-		LB05F	8051
175 GS		175	-		LB05F	8051
250 GS		250	-		LB05F	8051
350 GS		350	-		LB05F	8051

**HONDA**

Elite 50/S		50	-		LB05F	8051
Joker SRX50T	M55100	50	1997-		LB05F	8051
MB 50 F	AC01	50	-		LB05F	8051
NH 50 M		50	1993-		LB05F	8051
NT 50		50	-		LB05F	8051
PK 50 DX	AB25	50	1995-		LB05F	8051
SA 50	AF29	50	-		LB05F	8051
SFX 50		50	1995-		LB05F	8051
SFX 50		50	1996-		LB05F	8051
SGX 50 Sky		50	1997-		LB05F	8051
SH 50	AF40	50	1997-		LB05F	8051
SH 50 P		50	1993-1995		LB05F	8051
SH 50 T		50	1996-		LB05F	8051
SH 50 T	AF40	50	1997-		LB05F	8051
SJ 50 Bali		50	-		LB05F	8051
ST 50 C Dax	AB23	50	-		LD05F	8060
TLM 50		50	-	Constr. Code E	LB05EMHR	8160
XR 50		50	1993-2002		LD05F	8060
Z 50 R Monkey		50	1994-		LD05F	8060
CT 70		70	1992-		LD05F	8060





Stock No.

**HONDA**

<b>ST 70</b>		70	1994-		LD05F	8060
<b>NS-1</b>		75	1996-		LB05F	8051
<b>XR 80 R</b>	HE01	80	1992-1995		LB05F	8051
<b>EZ 90</b>		90	1993-		LB05F	8051
<b>NH 90 M</b>		90	1993-		LB05F	8051
<b>SH 100 T</b>		100	1996-		LB05F	8051
<b>SJ 100 Bali</b>		100	1996-		LB05F	8051
<b>XR 100R</b>		100	1992-		VD05F	8052
<b>CG 110</b>		110	-		LD05F	8060
<b>CA 125 C Rebel</b>	JC26	125	1997-		LD05F	8060
<b>CA 125 Rebel</b>	JC24	125	1995-1996	Constr. Code S>Y	LD05F	8060
<b>CB 125</b>		125	-		LD05F	8060
<b>CB 125 Y</b>		125	-		LD05F	8060
<b>CG 125</b>		125	-		LD05F	8060
<b>CG 125</b>	JC27	125	1998-1999		LD05FP	8070
<b>CH 125</b>		125	-		LD05F	8060
<b>CH 125 P</b>		125	-1993		LD05F	8060
<b>CLR 125 Cityfly</b>	JD18A/B	125	1998-		VD05FMH	8425
<b>CM 125 C Custum</b>		125	1994-		LD05F	8060
<b>CR 125 R</b>		125	-	LB05F/CR2	LB05F	8051
<b>Italia 125</b>		125	-		LD05F	8060
<b>Lead 125</b>	JF01	125	-	LB05F/CR2	LB05F	8051
<b>MTX 125</b>		125	-		LB05EMH-R	8160
<b>MTX 125 R</b>		125	-		LB05F	8051
<b>MTX 125 R2</b>		125	-		LB05F	8051
<b>NSR 125 F</b>		125	-		LB05F	8051
<b>Spacy CH 125</b>	JS03	125	1997-		LD05F	8060
<b>XLR 125 R</b>		125	1998-		VD05FMH	8425
<b>XR 125</b>		125	-		LD05F	8060
<b>CB 250</b>		250	1994-		XD05F-R	8768
<b>CB 250</b>	MC26	250	1996-1998		XD05F-R	8768
<b>CBX 250</b>		250	-		SD05FM-R	8673
<b>CMX 250 C</b>	MC32B	250	1997-		VD05F	8052
<b>CMX 250 CT</b>	MC13	250	1996-		VD05F	8052
<b>CN 250 Fusion</b>		250	-		VD05F	8052
<b>XR 250 L</b>	250 L	250	1992-		SD05F-R	8238
<b>GB 500</b>	PC16	500	1992-		SD05F-R	8238
<b>XR 600 R</b>	V	600	-		SD05FM-R	8673
<b>FMX 650</b>		650	2005-		SD05F-R	8238
<b>NT 650</b>		650	1998-2004		SD05FGA	8683
<b>NTV 650</b>		650	1998-2004		SD05FGA	8683
<b>VT 600</b>		650	1992-1999		SD05FGA	8683
<b>VT 750</b>		650	1997-2002		SD05FGA	8683
<b>XL 600 Transalp</b>		650	1993-2006		SD05FGA	8683
<b>XL 650L</b>		650	1994-		SD05F-R	8238
<b>XL 650 Transalp</b>		650	1994-		SD05F-R	8238
<b>CB 750</b>	RC42	750	1992-		SD05F-R	8238
<b>NR 750</b>	RC40	750	1993-		SD05F-R	8238
<b>RVF</b>	RC45	750	1994-		SD05F-R	8238
<b>VF 750 C</b>		750	1995-2000		SD05F-R	8238
<b>VFR 750 F</b>		750	1994-		XD05F-R	8768
<b>VT 750 C/C2V</b>	RC44	750	1997-		VD05F	8052







Stock No.

**HONDA**

<b>VT 750 C/C2V</b>	RC44	750	1997-	XD05F-R/VD05F	XD05F-R	8768
<b>PC 800 Pacific Coast</b>		800	1998-		SD05F-R	8238
<b>CBR 900 RR</b>	SC33	900	1996-		XD05F-R	8768
<b>CB 1000 F</b>	SC30	1000	1993-2000	SD05F-R(IN)XD05F-R(OUT)	SD05F-R	8238
<b>CB 1000 F</b>	SC30	1000	1993-2000	SD05F-R(IN)XD05F-R(OUT)	XD05F-R	8768
<b>CBR 1000 F</b>	SC24	1000	1995-2000		SD05F-R	8238
<b>CBR 1000 F</b>	SC24	1000	1995-2000	SD05F-R(IN)XD05F-R(OUT)	XD05F-R	8768

**HUSABERG**

<b>FC 400</b>		400	-		SD05F-R	8238
<b>FE 400 E / S</b>		400	-		SD05F-R	8238
<b>FX 400 E</b>		400	-1999		SD05F-R	8238
<b>FC 501</b>		500	1995-		SD05F-R	8238
<b>FE 501 E / S</b>		500	1993-		SD05F-R	8238
<b>FX 501 E</b>		500	-		SD05F-R	8238
<b>FC 600</b>		600	1992-1999		SD05F-R	8238
<b>FE 600 E / S</b>		600	1992-		SD05F-R	8238
<b>FX 600 E</b>		600	-		SD05F-R	8238

**HUSQVARNA**

<b>SMR 125</b>		125	2011-		SD05EM	92549
<b>SM S4 125</b>		125	2011-		SD05EM	92549
<b>CR 250</b>		250	1992-1992	LB05F/CR2	LB05F	8051
<b>CR 250</b>		250	2001-	LB05F/CR2	LB05F	8051
<b>WR 250</b>		250	1992-1995	LB05F/CR2	LB05F	8051
<b>WR 250</b>		250	2001-	LB05F/CR2	LB05F	8051
<b>TE 410</b>	2AA	400	1996-2000		SD05FP	8325
<b>TE 410</b>		400	2001-		SD05FP	8325
<b>SM R 510</b>		510	2008-		SD05EM	92549
<b>SM R 510</b>		510	2009-		SD05EM	92549
<b>SM R 510</b>		510	2010-		SD05EM	92549
<b>SM 570 R</b>		570	2001-		SD05FP	8325
<b>TC 570</b>		576	2001-		SD05FP	8325
<b>TE 570</b>		576	2001-		SD05FP	8325
<b>SM 610</b>		610	2007-		SD05EM	92549
<b>SM 610</b>		610	2008-		SD05EM	92549
<b>SM 610</b>		610	2009-		SD05EM	92549
<b>SM 610 E</b>		610	1998-		SD05FP	8325
<b>TE/TC 610 E</b>		610	1998-		SD05FP	8325
<b>SM S 630</b>		630	2010-		SD05EM	92549
<b>SM S 630</b>		630	2011-		SD05EM	92549

**ITALJET**

<b>Dragster 50</b>		50	1996-1997		LB10F	8358
<b>Dragster 50</b>		50	1997-		LB10F	8358
<b>Fastboy</b>		50	1998-		LB05F	8051
<b>Formula 50</b>		50	1995-		LB05F	8051
<b>Formula 50</b>		50	1998-	Air	LB05F	8051
<b>Formula 50</b>		50	1998-	Water fluid	LB05F	8051
<b>Torpedo 25</b>		50	1997-		LB10F	8358
<b>Dragster 125</b>		125	1997-1997		LB05F	8051
<b>Formula 125</b>		125	1997-1998		LB05F	8051





Stock No.

**ITALJET**

Formula 125		125	1997-1998		LB05F	8051
Formula 125		125	1998-		LB05F	8051

**KAWASAKI**

AR 50		50	1993-		LB05F	8051
KMX 50	KSR-I	50	1993-		LB05F	8051
KX 60		60	-1992		LB05F	8051
KX 60		60	1993-		LB05F	8051
KMX 80	KSR-2	80	1993-		LB05F	8051
KX 80	KX80S7	80	1997-		LBER-B	8308
KX 80	KX80V7	80	1997-		LBER-B	8308
KX 80 /80-2		80	1992-		LBER-B	8308
KE 100		100	1993-		LB05F	8051
KDX 125 SR		125	-	LB05F/CR2	LB05F	8051
KH 125		125	1993-		LB05F	8051
KX 125	KX125K4	125	1997-		LB05EMH-R	8160
KDX 200		200	1993-1994		LBER-B	8308
KDX 200 H		200	1995-2006	Constr. Code 1>11 / 6F	LB05EMH-R	8160
BJ 250 A Estrella		250	1993-1996		LD05F	8060
BJ 250 C Estrella		250	1997-		LD05F	8060
KLX 250	LX250E	250	1993-		XD05F-R	8768
KR-1R		250	-		LB05F	8051
KR-1S		250	-		LB05F	8051
LX 250		250	-		LB05F	8051
Z 250		250	-		LB05F	8051
Z 250 Belt Drive		250	-		LD05F	8060
Z 250 T		250	-		LD05F	8060
ZR 250 (Balius)		250	1993-		SD05F-R	8238
KAF 300 MULE 500 A&B	UV	300	1992-1996		LB05F	8051
KLE 400		400	1993-1993		XD05F-R	8768
LTD 400		400	-		LD05F	8060
ZL 400 Eliminator 400SE		400	1993-		LD05F	8060
ZR 400-C Zephyr		400	1993-		LD05F	8060
ZR 400-D Xanthus		400	1993-		LD05F	8060
ZX 400	Z 400-F2	400	1993-		LD05F	8060
EX 500		500	1993-		XB05F	8062
KX 500		500	1993-		LBER-B	8308
ZL 600 B	ZL600B	600	1995-	Constr. Code 1/2	XD05F-R	8768
KLR 650	KL650C	650	1995-	Constr. Code 1/2	XD05F-R	8768
KLX 650	LX650C	650	1993-		SD05FM-R	8673
KLX 650 R	LX650A	650	1993-1996	Constr. Code 1/2	SD05FM-R	8673
KLX 650 R		650	1998-		SD05FM-R	8673
ZR 750 D1/2 Zephyr		750	1996-2000		LD05FP	8070
ZX 750 J		750	-		LB05FP	8030
ZXR 750 R	ZX750K/ZX750M	750	1993-		XD05F-R	8768
GPZ 900 R		900	-	XD05F-R(IN) LD05F(OUT)	LD05F	8060
GPZ 900 R		900	-	XD05F-R(IN) LD05F(OUT)	XD05F-R	8768
GPZ 900 R		900	-	XD05F-R(IN) LD05F(OUT)	XD05F-R	8768
KZ 1000 Police		1000	1993-	XB05F(IN) LB05FP(OUT)	LB05FP	8030
KZ 1000 Police		1000	1993-	XB05F(IN) LB05FP(OUT)	XB05F	8062
Z 1000 ES		1000	-		LB05F	8051





Stock No.

## KAWASAKI

GPZ 1100		1100	-	XB05F(IN)YB05F(OUT)	XB05F	8062
GPZ 1100		1100	-		YB05F	8082
GPZ 1100	ZXT10E	1100	1995-	XB05F(IN)YB05F(OUT)	XB05F	8062
GPZ 1100	ZXT10E	1100	1995-		YB05F	8082
GPZ 1100 ABS	ZXT10E	1100	1997-	XB05F(IN)YB05F(OUT)	XB05F	8062
GPZ 1100 ABS	ZXT10E	1100	1997-		YB05F	8082
Zephyr 1100	ZRT10	1100	1996-		SD05FM-R	8673
ZRX 1100	ZRT10C	1100	1997-2000		SD05FM-R	8673
VN-15 1500 A / B & SE / C/ D2		1500	-	XD05F(IN) LD05FP(OUT)	LD05FP	8070
VN-15 1500 A / B & SE / C/ D2		1500	-	SB05F(IN)YB05F(OUT)	SB05F	8080
VN-15 1500 A / B & SE / C/ D2		1500	-	XD05F(IN) LD05FP(OUT)	XD05F	8072

## KTM

50 GXE		50	-		LB05F	8051
50 MLS		50	-		LB05F	8051
50 MMS		50	-		LB05F	8051
50 RSL		50	-		LB05F	8051
50 Senior		50	2001-		LB05EMH-R	8160
50 Senior		50	2003-		LB05EMH-R	8160
50 SX		50	2008-2009		LD05EH	92248
50 SX		50	2009-		LD05EH	92248
50 SX		50	2010-		LD05EH	92248
50 SX		50	2011-		LD05EH	92248
50 SX		50	2012-		LD05EH	92248
50 SX		50	2013-		LD05EH	92248
50 SX		50	2014-		LD05EH	92248
50 SX		50	2015-		LD05EH	92248
50 SX		50	2016-		LD05EH	92248
50 SX Junior		50	2009-		LD05EH	92248
50 SX Mini		50	2009-		LD05EH	92248
50 SX Mini		50	2010-		LD05EH	92248
50 SX Mini		50	2011-		LD05EH	92248
50 SX Mini		50	2012-		LD05EH	92248
50 SX Mini		50	2013-		LD05EH	92248
50 SX Mini		50	2014-		LD05EH	92248
50 SX Mini		50	2015-		LD05EH	92248
50 SX Mini		50	2016-		LD05EH	92248
50 SX Pro Junior LC		50	2003-	BETA Water fluid	LB05EMH-R	8160
50 SX Pro Senior LC		50	2003-	Water fluid	LB05EMH-R	8160
50 SXS		50	2011-		LD05EH	92248
50 SXS		50	2012-		LD05EH	92248
50 SXS		50	2013-		LD05EH	92248
Bora 50		50	-		LB05F	8051
Chrono 50		50	-		LB05F	8051
Crazy		50	-		LB05F	8051
Foxi		50	-		LB05F	8051
Foxi		50	-		LB05F	8051
Go 50		50	-		LB05F	8051
K 50		50	-		LB05F	8051
Postmofa		50	-		LB05F	8051
SM 25		50	-		LB05F	8051
Squadra		50	-		LB05F	8051





Stock No.

**KTM**

<b>65 SX</b>		65	1998-2000		LB05EMHR	8160
<b>65 SX</b>		65	1998-2000		LD05EH	92248
<b>65 SX</b>		65	2003-2009	BETA	LB05EMHR	8160
<b>65 SX</b>		65	2009-		LD05EH	92248
<b>65 SX</b>		65	2010-		LD05EH	92248
<b>65 SX</b>		65	2011-		LD05EH	92248
<b>65 SX</b>		65	2012-		LD05EH	92248
<b>65 SX</b>		65	2013-		LD05EH	92248
<b>65 SX</b>		65	2014-		LD05EH	92248
<b>65 SX</b>		65	2015-		LD05EH	92248
<b>65 SX</b>		65	2016-		LD05EH	92248
<b>65 SXS</b>		65	2012-		LD05EH	92248
<b>65 SXS</b>		65	2013-		LD05EH	92248
<b>65 XC</b>		65	2009-		LD05EH	92248
<b>80 Chopper</b>		80	-		LB05F	8051
<b>80 Enduro</b>		80	-		LB05F	8051
<b>85 SX</b>		85	2004-2007		TB05EMA	8636
<b>105 SX</b>		105	2004-		TB05EMA	8636
<b>125 EGS</b>		125	1993-		LB05EMHR	8160
<b>125 EGS</b>		125	1998-		LB05EMHR	8160
<b>125 EGS</b>		125	1999-		LB05EMHR	8160
<b>125 Enduro</b>		125	-		LB05F	8051
<b>125 EXC</b>		125	1993-1995		LB05EMHR	8160
<b>125 EXC</b>		125	1996-1997		LB05EMHR	8160
<b>125 EXC</b>		125	1997-1998		LB05EMHR	8160
<b>125 EXC</b>		125	1998-1999		LB05EMHR	8160
<b>125 EXC</b>		125	1999-2000		LB05EMHR	8160
<b>125 EXC</b>		125	2001-2001		LB05EMHR	8160
<b>125 EXE</b>		125	1999-		LB05EMHR	8160
<b>125 LC 2</b>		125	1996-2000	Long Thread	LB05EMHR	8160
<b>125 Sting</b>		125	1998-		LB05EMHR	8160
<b>125 Supermoto</b>		125	1999-		LB05EMHR	8160
<b>125 SX</b>		125	1993-1995		LB05EMHR	8160
<b>125 SX</b>		125	1996-1997		LB05EMHR	8160
<b>125 SX</b>		125	1997-1998		LB05EMHR	8160
<b>125 SX</b>		125	1999-2000		LB05EMHR	8160
<b>125 SX</b>		125	2002-2002		LB05EMHR	8160
<b>GS 125</b>		125	-	12,7 mm Thread	LB05F	8051
<b>MC 125</b>		125	-	12,7 mm Thread	LB05F	8051
<b>MC 125 GP</b>		125	-		LB05F	8051
<b>GS 175</b>		175	-		LB05F	8051
<b>MC 175</b>		175	-		LB05F	8051
<b>200 EGS</b>		200	1998-		LB05EMHR	8160
<b>200 EGS</b>		200	1999-		LB05EMHR	8160
<b>200 EXC</b>		200	1998-1999		LB05EMHR	8160
<b>200 EXC</b>		200	1999-2001		LB05EMHR	8160
<b>200 EXC</b>		200	2002-		LB05EMHR	8160
<b>200 MXC</b>		200	1999-		LB05EMHR	8160
<b>200 SX</b>		200	2003-2006		LB05EMHR	8160
<b>250 DXC</b>		250	-		LB05EMHR	8160
<b>250 EGS</b>		250	1993-1995		LB05EMHR	8160
<b>250 EGS</b>		250	1997-1997		LB05EMHR	8160





Stock No.

KTM						
250 EGS		250	1997-1997		LB05EMH-R	8160
250 EGS		250	1998-1998		LB05EMH-R	8160
250 EGS		250	1999-1999		LB05EMH-R	8160
250 Enduro		250	-		LB05EMH-R	8160
250 EXC		250	1993-1995		LB05EMH-R	8160
250 EXC		250	1996-1996		LB05EMH-R	8160
250 EXC		250	1997-1998		LB05EMH-R	8160
250 EXC / Six Days		250	1998-2001		LB05EMH-R	8160
250 EXC Enduro Competition		250	2003-		LB05EMH-R	8160
250 EXC Racing		250	1997-		VD05EG	5817
250 EXC Racing		250	2003-		VD05EG	5817
250 EXC Racing GS		250	2003-		VD05EG	5817
250 MX		250	-		LB05EMH-R	8160
250 SX		250	1993-1995		LB05EMH-R	8160
250 SX		250	1993-1995		VD05EG	5817
250 SX		250	1996-1997		LB05EMH-R	8160
250 SX		250	1997-1998		LB05EMH-R	8160
250 SX		250	1998-1999		LB05EMH-R	8160
250 SX		250	1999-2004		LB05EMH-R	8160
250 SX		250	2005-		VD05EG	5817
250 SXC		250	1999-		LB05EMH-R	8160
250 SXF		250	2005-		VD05EG	5817
GS 250		250	-	12,7 mm Thread	LB05F	8051
MC 250		250	-	12,7 mm Thread	LB05F	8051
MC 250		250	-	19,0 mm Thread	LB05F	8051
MC 250 GP		250	-	19,0 mm Thread	LB05F	8051
MC 250 GP		250	-	12,7 mm Thread	LB05F	8051
300 EGS		300	1993-1995		LB05EMH-R	8160
300 EGS		300	1999-		LB05EMH-R	8160
300 EXC		300	1993-1995		LB05EMH-R	8160
300 EXC		300	1997-1998		LB05EMH-R	8160
300 EXC / Six Days		300	1999-		LB05EMH-R	8160
300 EXC Enduro Competition		300	2003-		LB05EMH-R	8160
300 MXC		300	1997-2002		LB05EMH-R	8160
300 MXC		300	2003-		LB05EMH-R	8160
300 SX		300	1993-1995		LB05EMH-R	8160
300 SX		300	1999-		LB05EMH-R	8160
360 EXC		360	1997-		LB05EMH-R	8160
360 MXC		360	1997-		LB05EMH-R	8160
360 SX		360	1996-		LB05EMH-R	8160
360 SX		360	1997-		LB05EMH-R	8160
380 EGS		380	1998-		LB05EMH-R	8160
380 EGS		380	1999-		LB05EMH-R	8160
380 Enduro		380	1998-		LB05EMH-R	8160
380 EXC		380	1998-		LB05EMH-R	8160
380 SX		380	1999-		LB05EMH-R	8160
400 EGS	LC4	400	1993-1999		SD05F-R	8238
400 EGS		400	1997-		SD05F-R	8238
400 EGS-E		400	1997-		SD05F-R	8238
400 EGS-E	LC4	400	1997-1999		SD05F-R	8238
400 Enduro-E		400	1998-		SD05F-R	8238
400 EXC Racing		400	1999-2002		VD05EG	5817





Stock No.

**KTM**

<b>400 EXC Racing</b>		400	2003-		VD05EG	5817
<b>400 LC4</b>		400	1999-2002		SD05F-R	8238
<b>400 LC4-E</b>		400	1999-2002		SD05F-R	8238
<b>400 LS-E</b>		400	1997-2002		SD05F-R	8238
<b>400 SC</b>	LC4	400	1993-1999		SD05F-R	8238
<b>400 SC</b>		400	1996-		SD05F-R	8238
<b>400 SC</b>		400	1998-		SD05F-R	8238
<b>400 SX</b>		400	1998-2002		SD05F-R	8238
<b>400 SXC</b>	LC4	400	1993-1999		SD05F-R	8238
<b>400 SXC</b>		400	1998-2002		SD05F-R	8238
<b>400 SXC</b>		400	1999-2002		SD05F-R	8238
<b>400 SXC</b>		400	1999-2002		SD05F-R	8238
<b>400 SX Racing / Six Days</b>		400	1999-2002		VD05F	8052
<b>GS 400</b>		400	-		LB05F	8051
<b>LC4 400</b>		400	1998-		SD05F-R	8238
<b>LC4 400 EGS</b>		400	1993-		SD05F-R	8238
<b>LC4 400 EXC</b>		400	1993-		SD05F-R	8238
<b>LC4 Competition</b>		400	1998-		SD05F-R	8238
<b>LC4- E 400 Enduro</b>		400	2001-		SD05F-R	8238
<b>MC 400</b>		400	-		LB05F	8051
<b>MC 400 GP</b>		400	-		LB05F	8051
<b>450 EXC Racing</b>		450	2003-		VD05EG	5817
<b>450 EXC Racing GS</b>		450	2003-		VD05EG	5817
<b>450 MXC Dessert</b>		450	2003-		VD05EG	5817
<b>450 MXC GS</b>		450	2003-		VD05EG	5817
<b>450 SMR</b>		450	2004-2007		VD05EG	5817
<b>450 SMR</b>		450	2005-		VD05EG	5817
<b>450 SX-F</b>		450	2015-		VF05EGAK	92755
<b>450 SX-F</b>		450	2016-		VF05EGAK	92755
<b>450 SX-F Factory Edition</b>		450	2015-		VF05EGAK	92755
<b>450 SX-F Factory Edition</b>		450	2016-		VF05EGAK	92755
<b>450 SX Racing</b>		450	2003-		VD05EG	5817
<b>450 XC-F</b>		450	2015-		VF05EGAK	92755
<b>450 XC-F</b>		450	2016-		VF05EGAK	92755
<b>450 XC-W</b>		450	2015-		VF05EGAK	92755
<b>450 XC-W</b>		450	2016-		VF05EGAK	92755
<b>500 EXC</b>		500	2015-		VF05EGAK	92755
<b>500 EXC</b>		500	2016-		VF05EGAK	92755
<b>500 EXC Six Days</b>		500	2016-		VF05EGAK	92755
<b>500 XC-W</b>		500	2015-		VF05EGAK	92755
<b>500 XC-W</b>		500	2016-		VF05EGAK	92755
<b>GS 500</b>		500	-		LB05F	8051
<b>GS 500</b>		500	-		LD05F	8060
<b>MC 500</b>		500	-		LB05F	8051
<b>MC 500</b>		500	-		LD05F	8060
<b>520 EXC Racing / Six Days</b>		520	1999-2002		VD05F	8052
<b>520 SX Racing</b>		520	1999-2002		VD05F	8052
<b>525 EXC Racing</b>		525	2003-		VD05EG	5817
<b>525 EXC Racing GS</b>		525	2003-		VD05EG	5817
<b>525 MXC</b>		525	2003-		VD05EG	5817
<b>525 MXC Desert Racing</b>		525	2005-		VD05EG	5817
<b>525 SMR</b>		525	2005-		VD05EG	5817





Stock No.

**KYMCO**

Calypso 50		50	1997-		VD05F	8052
Calypso 125		125	1997-		VD05F	8052

**K-ZWO**

Cat 50		50	1997-		LB05FP	8030
--------	--	----	-------	--	--------	------

**MAICO**

SG 125		125	-		LB05F	8308
250		250	1994-		LB05F	8308
320		320	1994-		LB05F	8308
MC 400		400	-		LB05F	8308
440		440	1994-		LB05F	8308
500		500	1994-		LB05F	8308
GS 500		500	-		LB05F	8308
GS Star 500		500	-		LB05F	8308
GS Star E 500		500	-		LB05F	8308
MC 500		500	-		LB05F	8308
MC 500		500	1994-		LB05F	8308

**MBK**

50 EV		49	-		LB05F	8051
50 EW		49	-		LB05F	8051
50 L		49	-		LB05F	8051
50 S		49	-		LB05F	8051
50 VS		49	-		LB05F	8051
51 New West		49	-		LB05F	8051
51 S		49	-		LB05F	8051
51 SL		49	-		LB05F	8051
51 Super		49	-		LB05F	8051
51 Super Special		49	-		LB05F	8051
51 V		49	-		LB05F	8051
51 VL		49	-		LB05F	8051
89		49	-		LB05F	8051
Active		49	-		LB05F	8051
AV 89		49	-		LB05F	8051
AV 92		49	-		LB05F	8051
AV 98		49	-		LB05F	8051
Cady		49	-		LB05F	8051
CF		49	-		LB05F	8051
Champ		49	-		LB05F	8051
Daytona Beach		49	-		LB05F	8051
Daytona Cruiser		49	-		LB05F	8051
FXK		49	-		LB05F	8051
G 40		49	-		LB05F	8051
G 50		49	-		LB05F	8051
Hobby IV		49	-		LB05F	8051
KW Magnum		49	-		LB05F	8051
Mobylett		49	-		LB05F	8051
N 40		49	-		LB05F	8051
N 50		49	-		LB05F	8051
Rock		49	-		LB05F	8051
SP 50		49	-		LB05F	8051
SP 92		49	-		LB05F	8051





Stock No.

**MBK**

SP 93		49	-		LB05F	8051
SP 94		49	-		LB05F	8051
SP 98		49	-		LB05F	8051
SP 99		49	-		LB05F	8051
Weekly		49	-		LB05F	8051
X 1		49	-		LB05F	8051
X 1L		49	-		LB05F	8051
X 7L		49	-		LB05F	8051
X 7S		49	-		LB05F	8051
X 7VL		49	-		LB05F	8051
X 7VS		49	-		LB05F	8051
ZX		49	-		LB05F	8051
50 R		50	-		LB05F	8051
50 VL		50	-		LB05F	8051
89		50	-		LB05F	8051
93		50	-		LB05F	8051
99		50	-		LB05F	8051
D50		50	-		LB05F	8051
SP 94 TT		50	-		LB05F	8051
D75		75	-		LB05F	8051
125		125	-	12,7 mm Thread	LB05F	8051
250		250	-		LB05F	8051
350 E		350	-		LB05F	8051
350 Injection		350	-		LB05F	8051

**MONTESA**

315R		315	1997-		LB05F	8051
------	--	-----	-------	--	-------	------

**PEUGEOT**

103 CRX		50	-		LB05F	8051
103 LC		50	-		LB05F	8051
103 MP/MR		50	-		LB05F	8051
103 Racen		50	-		LB05F	8051
103 T16		50	-		LB05F	8051
103 TXLC, TXR		50	-		LB05F	8051
103 Vogue		50	-		LB05F	8051
104		50	-		LB05F	8051
105		50	-		LB05F	8051
Jet Force C-Tech 50		50	2005-		LB05E-R	8898
Speedfight LC		50	1996-		LB05E-R	8898
Speedfight M		50	1996-		LB05E-R	8898
SV 50		50	-1995		LB05E-R	8898
SV 50		50	1996-		LB05E-R	8898
Trekker Off Road		50	1998-		LB05E-R	8898
Trekker Road		50	-		LB05E-R	8898
Speedfight 100		100	1996-2003		LB05E-R	8898
SV 100		100	1996-		LB05E-R	8898
Trekker 100		100	1998-		LB05E-R	8898
Looxor 125		125	-		LB05E-R	8898
Looxor 150		150	-		LB05E-R	8898

**PGO**

Big Max 25/50		50	-		LB05F	8051
Big Max 50		50	-		LB05F	8051







Stock No.

**PGO**

Big Max Sport 50		50	1996-		LB05F	8051
Comet		50	-		LB05F	8051
Galaxy 25		50	-		LB05F	8051
Galaxy 50		50	-		LB05F	8051
Mega 50		50	1996-		LB05F	8051
PMS 50		50	1999-		LB05F	8051
PMX 50		50	1999-		LB05F	8051
Rodoshow		50	2000-		LB05F	8051
Star 2		50	-		LB05F	8051
Star 50		50	-		LB05F	8051
Tornado 50		50	1997-		LB05F	8051
T-Rex 50		50	1998-		LB05F	8051
T-REX 50		50	1999-		LB05F	8051
Star 80		80	-		LB05F	8051
Big Max 90		82	1996-		LB05F	8051
T-REX 125 2T		125	1999-		LB05F	8051
T-REX 125 4T		125	1999-		YB05F	8082

**PIAGGIO**

Free 25 Mofa		25	-		LB05F	8051
Zip 25 Mofa		25	-		LB05F	8051
Zip Base 25 / Mofa		25	-		LB05F	8051
50 R Special		50	-		LB05F	8051
50 S		50	-		LB05F	8051
Boss 50		50	-		LB05F	8051
Bravo 50 P		50	-		LB05F	8051
Bravo 50 PV		50	-		LB05F	8051
Bravo - Si / Moped		50	-		LB05F	8051
Ciao-Bravo SI / Mofa		50	-		LB05F	8051
Ciao Mix / Mix		50	-		LB05F	8051
Ciao M Kat		50	-		LB05F	8051
Ciao V Kat		50	-		LB05F	8051
Eaglet 50		50	-		LB05F	8051
Fly 50 4T		50	2006-		LB05E-R	8898
Free 50		50	1993-		LB05F	8051
Grillo / Mofa		50	-		LB05F	8051
Liberty 50 4T		50	2002-2005		LB05E-R	8898
NRG		50	-		LB05F	8051
NRG 50 H <sup>2</sup> O Kat		50	-	Water fluid	LB05F	8051
NRG 50 mc2 DD		50	-		LB05F	8051
NRG 50 mc2 DT		50	-		LB05F	8051
NRG Extreme		50	-		LB05F	8051
NRG Extreme Kat		50	-		LB05F	8051
NRG mc2 50		50	1996-		LB05F	8051
NSP 4T Aria		50	2002-		LB05E-R	8898
PK 50 S		50	-		LB05F	8051
PK 50 SS		50	-		LB05F	8051
PK 50 XL2		50	-		LB05F	8051
PK 50 XL2		50	-		LB05F	8051
Plurimatic		50	-		LB05F	8051
PX 50		50	-		LB05F	8051
Quarz 50		50	1992-		LB05F	8051
Sfera 50, FL, RL, RST		50	-		LB05F	8051





Stock No.

**PIAGGIO**

<b>Storm 50</b>		50	1994-		LB05F	8051
<b>Super Bravo / Mofa</b>		50	-		LB05F	8051
<b>Super Bravo / Mofa</b>		50	-		LB05F	8051
<b>TPH</b>		50	1993-		LB05F	8051
<b>Velofax / Mofa</b>		50	-		LB05F	8051
<b>Vespa Delta,Puch Condor</b>		50	-		LB05F	8051
<b>Vespa Elestart</b>		50	-		LB05F	8051
<b>Vespa ET4 50</b>		50	2002-2005		LB05E-R	8898
<b>Vespa HP 4M</b>		50	-		LB05F	8051
<b>Vespa PK 50 XL 2</b>		50	-		LB05F	8051
<b>Vespa Vale Especial/Standard</b>		50	-		LB05F	8051
<b>Vespino</b>		50	-		LB05F	8051
<b>Vespino NX/SC/T/TL/TN/TS</b>		50	-		LB05F	8051
<b>Vespino TX/XE</b>		50	-		LB05F	8051
<b>Zip &amp; Zip 50 Aria</b>		50	2002-		LB05E-R	8898
<b>Zip &amp; Zip Hybrid</b>		50	1994-		LB05F	8051
<b>Zip 50</b>		50	1992-		LB05F	8051
<b>Zip 50 Fast Rider</b>		50	1993-		LB05F	8051
<b>Zip 50 SP</b>		50	-		LB05F	8051
<b>Zip Base 50</b>		50	-		LB05F	8051
<b>Vespa PK 75S / Junior</b>		75	-		LB05F	8051
<b>Vespa PK 75S Primavera / T3 Prima.</b>		75	-		LB05F	8051
<b>Vespa PK 75XL</b>		75	-		LB05F	8051
<b>PX 80 E,P 80 X</b>		80	-		LB05F	8051
<b>PX 80 E Lusso</b>		80	-		LB05F	8051
<b>Sfera 80</b>		80	-		LB05F	8051
<b>TPH 80</b>		80	1994-		LB05F	8051
<b>Diesis 100</b>		100	2001-		LB05E-R	8898
<b>Free 100</b>		100	2002-		LB05E-R	8898
<b>Zip 100</b>		100	2006-		LB05E-R	8898
<b>Ape</b>		125	-		LB05F	8051
<b>Beverly 125 / Tourer 125</b>		125	2002-		LB05E-R	8898
<b>Carnaby 125</b>		125	2007-		LB05E-R	8898
<b>Cosa 200 FL EBC</b>		125	-		LB05F	8051
<b>ET 3 125</b>		125	-		LB05F	8051
<b>ET 4 125</b>		125	-		LB05E-R	8898
<b>Hexagon LX</b>		125	-	Water fluid	LB05E-R	8898
<b>Hexagon LX 125</b>		125	1994-		LB05F	8051
<b>MP3 125 i.e.</b>		125	2006-		L05EA	6667
<b>PK 125</b>		125	-		LB05F	8051
<b>PK 125, E, S</b>		125	-		LB05F	8051
<b>PK 125 XL</b>		125	-		LB05F	8051
<b>PK 125 XL 2</b>		125	-		LB05F	8051
<b>Sfera 125</b>		125	1995-		LB05F	8051
<b>Sfera RST</b>		125	1995-		LB05F	8051
<b>Skipper 125</b>		125	2000-		LB05E-R	8898
<b>Skipper 125 LX</b>		125	1993-		LB05F	8051
<b>SKR 125</b>		125	1993-		LB05F	8051
<b>Super Hexagon GTX 125</b>		125	2001-		LB05E-R	8898
<b>TPH</b>		125	1995-		LB05F	8051
<b>Vespa 125 CL/LS/NK Primavera</b>		125	-		LB05F	8051
<b>Vespa 125 T5 Sport</b>		125	-		LB05F	8051





Stock No.

**PIAGGIO**

Vespa ET4		125	1999-		VD05EM	8422
Vespa ET4 125		125	1996-		VD05EM	8422
Vespa Gandturisticom		125	-2004		LB05E-R	8898
Vespa GT		125	2003-		LB05E-R	8898
Vespa GTS 125		125	2007-		L05EA	6667
Vespa GTS Super 125 i.e.		125	2010-		L05EA	6667
Vespa GTV 125		125	-		L05EA	6667
Vespa LX 125		125	2005-		VD05EM	8422
Vespa LX 125 i.e.		125	2009-		L05EA	6667
Vespa LXV 125		125	-		L05EA	6667
Vespa PX 125 Kat		125	-		LB05F	8051
Vespa S 125 i.e.		125	2008-		L05EA	6667
Vespa Special ET3 Primavera		125	-		LB05F	8051
Vespa Special ET4 Carburatore		125	-		LB05E-R	8898
Vespa T3Li/T3		125	-		LB05F	8051
Vespa T5		125	-		LB05F	8051
Vespa XL 125 Plurimat		125	-		LB05F	8051
X7 EVO 125 i.e.		125	2007-		V05E	6665
X 8 125		125	2004-		LB05E-R	8898
X 9 125		125	2002-		LB05E-R	8898
X EVO		125	2006-		LB05E-R	8898
Zip 125		125	-		LB05E-R	8898
EX 150 Hexagon		150	1994-		LB05F	8051
Hexagon 150		150	1994-		LB05F	8051
Liberty 150		150	2002-		L05EA	6667
Skipper 150		150	1993-		LB05F	8051
Skipper ST 4T		150	2001-		LB05E-R	8898
SKR 150		150	1998-		LB05F	8051
Vespa 150 ET4		150	2001-2002		LB05E-R	8898
Vespa 150 ET4		150	2002-		LB05E-R	8898
Vespa 150 long		150	-	19,0 mm Thread	LB05F	8051
Vespa LX 150		150	2008-		L05EA	6667
Vespa LX 150 i.e.		150	2009-		L05EA	6667
Vespa PX 150 Kat		150	-		LB05F	8051
Vespa S 150 i.e.		150	2008-		L05EA	6667
Vespa 160/ GT		160	-		LB05F	8051
Vespa 175		175	-		LB05F	8051
Super Hexagon LXT 180		180	2001-		LB05E-R	8898
Vespa SS		180	-		LB05F	8051
X 9 180 Amalfi 4T		180	2001-		LB05E-R	8898
Ape		190	-		LB05F	8051
Beverly 200		200	2001-		LB05E-R	8898
Carnaby 200		200	2007-		LB05E-R	8898
Cosa 200 Aluzyl.		200	1993-1997		LB05F	8051
Liberty 200		200	2004-		LB05E-R	8898
Vespa 200 DN/ DS/ E		200	-		LB05F	8051
Vespa 200 TX Elestart		200	-		LB05F	8051
Vespa PX 200E/Iris/Iris Elestart		200	-		LB05F	8051
Ape 220		220	-		LB05F	8051
Beverly 250 / Cruiser 250 / Tourer 250		250	2003-		LB05E-R	8898
Hexagon GT 250 4T		250	1998-		VD05F	8052
MP3 250 / RST 250		250	2006-		LB05E-R	8898





Stock No.

**PIAGGIO**

Vespa GTS 250		250	2006-		LB05E-R	8898
Vespa GTS 250 IE		250	2006-		L05EA	6667
X 8 250 i.e.		250	2006-		LB05E-R	8898
X 9 250 EVO		250	2007-		LB05E-R	8898
X 9 250 Evolution		250	-		LB05E-R	8898
Carnaby 300 ie.		278	2009-		L05EA	6667
Vespa GTS 300 Super		278	2008-		L05EA	6667
Vespa GTV 300 via Montenapoleone		278	2010-		L05EA	6667

**SACHS**

Speedfight 50 AC		50	1997-	Air	LB05F	8051
Speedfight 50 LC		50	1997-	Water fluid	LB05F	8051
Speedfight 50 LC ADT		50	1997-	Water fluid	LB05F	8051
RS 125		125	1997-		LB05F	8051
ZX 125		125	1997-		LB05F	8051

**SIAM**

Falkon 50		50	1997-		LB05FP	8030
-----------	--	----	-------	--	--------	------

**SUZUKI**

A 50 K		50	-		LB05F	8051
A 50 P		50	-		LB05F	8051
AE 50		50	1993-		LB05F	8051
AH 50 Adress	CA1GA	50	1992-		LB05F	8051
AH 50 GP		50	1995-		LB05F	8051
AJ 50		50	1995-		LB05F	8051
AJ 50 ZZ		50	1995-		LB05F	8051
AP 50	CA1JA	50	1994-1994	Constr. Code R	LB05F	8051
AP 50	CA1JA	50	1995-1995		LB05F	8051
AP 50 S	CA1JA	50	1995-		LB05F	8051
AP 50 T		50	1996-		LB05F	8051
CL 50 DO		50	-		LB05F	8051
CP 50	CA14C/E	50	-		LB05F	8051
CP 50		50	-	Constr. Code H/I/J/L/M/N	LB05F	8051
CS 50		50	-		LB05F	8051
CX 50		50	-		LB05F	8051
CY 50		50	-		LB05F	8051
DM 50		50	-		LB05F	8051
DV 50		50	-		LB05F	8051
FA 50		50	-		LB05F	8051
FR 50		50	-		LB05F	8051
FS 50		50	-		LB05F	8051
FZ 50		50	-		LB05F	8051
GT 50		50	-		LB05F	8051
JR 50		50	1993-1994		LB10EH	8351
JR 50		50	1995-		LB10EH	8351
K 50		50	-		LB05F	8051
Katana AY50		50	1997-	Water fluid	LB05F	8051
Maxi 50		50	-		LB05F	8051
OR 50		50	-		LB05F	8051
RG 50 KE		50	-		LB05F	8051
RG 50 W		50	-		LB05F	8051
RV 50		50	-		LB05F	8051





Stock No.

**SUZUKI**

Suzy		50	1995-		LB05F	8051
TR 50		50	-		LB05F	8051
TR 50 S Magic		50	1998-		LB05F	8051
TS 50		50	-	12,7mm Thread	LB05F	8051
TS 50 ER		50	-		LB05F	8051
TS 50 XK	SA11C	50	-		LB05F	8051
ZR 50		50	-		LB05F	8051
CS 80		80	-		LB05F	8051
DS 80		80	1993-1994		LB05F	8051
DS 80		80	1995-		LB05F	8051
FR 80		80	-		LB05F	8051
GT 80 EX/LX		80	-		LB05F	8051
RG 80 G	NC11A	80	-		LB05F	8051
RG 80 Gamma		80	-		LB05F	8051
RG 80 WF		80	-		LB05F	8051
RM 80		80	1993-		LB05F	8051
RM 80 H		80	-		LB05F	8051
RM 80 X		80	-	Constr. Code M/ N/ P/ R/ S/ T/ V	LB05F	8051
TS 80 ERX		80	-		LB05F	8051
TS 80 X	SA11A	80	-		LB05F	8051
TS 80 XE-H		80	-		LB05F	8051
FM 90		90	-		LB05F	8051
RV 90		90	-		LB05F	8051
A 100		100	1995-		LB05F	8051
AH 100		100	-1993		LB05F	8051
AH 100	CE12A	100	1995-		LB05F	8051
FB 100 / D		100	1995-		LD05F	8060
GP 100		100	-		LB05F	8051
AN 125	CF42A	125	1995-1996		LB05F	8051
AN 125	CF42A	125	1995-1996		LD05F	8060
AN 125	CF42A	125	1996-1996	Constr. Code T/ V/ W/ X/ Y/	LD05F	8060
AN 125	CF42A	125	1997-1997	Constr. Code V	LB05F	8051
CS 125		125	-		LD05F	8060
DR 125 SE	SF44A	125	1995-2000		LD05F	8060
DR 125 SJ	SF43B	125	-		LD05F	8060
GN 125 V	NF41A	125	1997-		LD05F	8060
GP 125		125	-		LB05F	8051
GS 125 S		125	-1998		LD05F	8060
GS 125 S		125	1999-		LD05F	8060
GT 125,-E		125	-		LB05F	8051
RC 125		125	-		LB05F	8051
RM 125		125	1993-1995	LB05F/CR2	LB05F	8051
RM 125		125	1996-1997	LB05F/CR2	LB05F	8051
AN 150 T		150	1996-		LD05F	8060
GT 185		185	-		LB05F	8051
TS 185 ER		185	1993-		LB05F	8051
DR 200 SZ		200	1995-		LD05F	8060
GT 200		200	-		LB05F	8051
TS 200		200	-	LB05F/CR2	LB05F	8051
DR 250 SZ		250	1995-		XD05F-R	8768
DR 250 SZ-H		250	-		XD05F-R	8768





Stock No.

**SUZUKI**

<b>GSX 250 L</b>		250	-		SD05F-R	8238
<b>GN 400 TD-X</b>		400	-		LD05F	8060
<b>GS 400 TX</b>		400	-		VB05F	8032
<b>GSF 400 BANDIT</b>	GK75B	400	-1992		SD05F-R	8238
<b>GSX 400 FW</b>		400	-		SD05F-R	8238
<b>GSX 400 FX</b>		400	-		SD05F-R	8238
<b>GSX 400 LX</b>		400	-		SD05F-R	8238
<b>GSX 400 S</b>		400	-		SD05F-R	8238
<b>GSX 400 SE/EF</b>	GK53C	400	-		SD05F-R	8238
<b>GSX-R400</b>		400	-		SD05F-R	8238
<b>GSX-R400</b>		400	1993-		SD05F-R	8238
<b>GS 450 E/ES</b>	GS450	450	-		VB05F	8032
<b>GS 450 L</b>	GL51D	450	-		VB05F	8032
<b>GS 450 SF</b>		450	-		VB05F	8032
<b>GS 450 TX</b>		450	-		VB05F	8032
<b>GS 500 E</b>		500	-2000		VB05F	8032
<b>GS 500 E</b>		500	-2000	XB05F(IN)/VB05F(OUT)	XB05F	8062
<b>GS 500 E</b>	GM51B	500	1993-2000		VD05F	8052
<b>GS 500 E</b>	GM51B	500	1993-2000	XD05F(IN) LD05FP(OUT)	XD05F	8072
<b>GSX 550 EF</b>		550	-		SD05F-R	8238
<b>DR 600</b>		600	-		LD05F	8060
<b>DR 600 R Djebel</b>		600	-		LD05F	8060
<b>DR 600 S</b>	SN41A	600	-		LD05F	8060
<b>GR 650 D/XD/XF</b>	GP51A	650	-		LD05F	8060
<b>GS 750 D/E/L</b>		750	-		VB05F	8032
<b>GS 750 D/E/L</b>		750	-	XB05F(IN)/VB05F(OUT)	XB05F	8062
<b>VS 750 GL</b>		750	-	Constr. Code H/J/K	SD05F-R	8238
<b>GS 850 G</b>	GS72A	850	-		VB05F	8032
<b>GS 850 G</b>	GS72A	850	-	XB05F(IN)/VB05F(OUT)	XB05F	8062
<b>GS 850 GL</b>		850	-		VB05F	8032
<b>GS 850 GL</b>		850	-	XB05F(IN)/VB05F(OUT)	XB05F	8062
<b>GS 1000 D/E/H/S-1980/GL/GX</b>		1000	-		VB05F	8032
<b>GS 1000 D/E/H/S-1980/GL/GX</b>		1000	-	XB05F(IN)/VB05F(OUT)	XB05F	8062
<b>GSX 1100 EFE</b>		1100	-		SD05F-R	8238
<b>GSX 1100 EFG/ESG/EG</b>	GV71C	1100	-		SD05F-R	8238
<b>GSX 1100 EZ/ESD</b>	GU71B	1100	-		SD05F-R	8238
<b>GSX 1100 S/SZ Katana</b>	GS110XS	1100	-		SD05F-R	8238

**YAMAHA**

<b>Golf Car G2A/G9A</b>			1992-		LB05F	8051
<b>Aerox</b>		50	1997-		LB05F	8051
<b>Axis</b>	3UG	50	1997-		LB05F	8051
<b>BW 50</b>	CW50	50	1996-		LB05F	8051
<b>BW 50 Bump</b>		50	1996-		LB05F	8051
<b>BW 50 NG</b>	CW50RS	50	1996-		LB05F	8051
<b>BW 50 R</b>	4BX	50	1996-		LB05F	8051
<b>BW 50 Spy</b>	4VA	50	1996-		LB05F	8051
<b>CR 50 Z</b>		50	-		LB05F	8051
<b>CR 50 Z/SS</b>		50	1993-		LB05F	8051
<b>CV 50</b>		50	-		LB05F	8051
<b>CW 50</b>	4BX	50	1994-		LB05F	8051
<b>CW 50 R</b>	4BX	50	-		LB05F	8051





Stock No.

**YAMAHA**

<b>CW 50 RSX</b>		50	1996-		LB05F	8051
<b>CY 50</b>		50	1994-		LB05F	8051
<b>CY 50 E</b>		50	1993-		LB05F	8051
<b>CY 50 F</b>		50	1994-		LB05F	8051
<b>DT 50</b>		50	-		LB05F	8051
<b>DT 50 E</b>		50	1993-		LB05F	8051
<b>DT 50 F</b>		50	1994-		LB05F	8051
<b>ES 50</b>		50	-		LB05F	8051
<b>Evolis</b>	4FW	50	-		LB05F	8051
<b>Fizz</b>	4RC	50	1995-		LB05F	8051
<b>Jog-Z 50</b>		50	1995-		LB05F	8051
<b>MA 50</b>		50	-		LB05F	8051
<b>MA 50 M</b>		50	-		LB05F	8051
<b>MR 50</b>		50	-		LB05F	8051
<b>MR 50 H</b>		50	-		LB05F	8051
<b>Neo´s</b>		50	1997-2007		LB05F	8051
<b>PW 50 E</b>		50	1993-		LB05F	8051
<b>PW 50 H / F</b>		50	-		LB05F	8051
<b>SH 50 / F</b>		50	-		LB05F	8051
<b>SH 50 E / ED / MF</b>		50	1993-		LB05F	8051
<b>Spy 50</b>		50	-		LB05F	8051
<b>T 50</b>		50	-		LD05F	8060
<b>V 50 D</b>		50	1993-		LB05F	8051
<b>V 50 E</b>		50	-		LB05F	8051
<b>YA 50</b>	5AK	50	1997-		LB05F	8051
<b>YA 50 R Axis Mofa</b>	5AK	50	1997-		LB05F	8051
<b>YA 50 R Forte</b>	3UG	50	-		LB05F	8051
<b>YB 50 S</b>		50	-		LB05F	8051
<b>YE 50</b>		50	1993-		LB05F	8051
<b>YE 50 Evolis</b>	4FW	50	-		LB05F	8051
<b>YE 50 Zest</b>	4FW	50	-		LB05F	8051
<b>YE 50 Zest</b>		50	1992-		LB05F	8051
<b>YM 50 Breeze</b>	4RC	50	1995-		LB05F	8051
<b>YZ 50</b>		50	-		LB05F	8051
<b>YZ 50 H</b>		50	-		LB05F	8051
<b>YB 60</b>		60	-		LB05F	8051
<b>YZ 60 H</b>		60	-		LB05F	8051
<b>CW 65</b>		65	1994-		LB05F	8051
<b>CV 80</b>		80	-		LB05F	8051
<b>Evolis</b>	4MU	80	-		LB05F	8051
<b>PW 80 E / F</b>	4BC..	80	1993-		LB05F	8051
<b>T 80</b>		80	-		LD05F	8060
<b>V 80 H / D</b>		80	-		LB05F	8051
<b>YB 80</b>		80	-		LB05F	8051
<b>YE 80</b>		80	1994-		LB05F	8051
<b>YE 80 Zest</b>	4MU	80	-		LB05F	8051
<b>YZ 80</b>		80	1995-		LB05F	8051
<b>YZ 80 E / F/LW/ LWF</b>	4LB	80	1993-		LB05F	8051
<b>YZ 80 H</b>		80	1994-1996		LB05F	8051
<b>YZ 80 H.R.</b>		80	-		LB05F	8051
<b>YZ 80 L.R.</b>		80	-		LB05F	8051
<b>YA 90 E / F</b>		90	1993-		LB05F	8051



Stock No.

**YAMAHA**

AG 100		100	-		LB05F	8051
AG 100 H / E / F		100	-		LB05F	8051
RT 100 E / F		100	1993-		LB05F	8051
RX 100		100	-	12,7mm Thread	LB05F	8051
RXS 100		100	-		LB05F	8051
RX-ZD		100	1993-		LB05F	8051
V 100 E/S/SH		100	1993-		LB05F	8051
YB 100		100	1994-		LB05F	8051
V 110 E		110	1993-		LB05F	8051
RX 115		115	1993-		LB05F	8051
V 120 JR / ZR		120	1994-		LB05F	8051
DT 125		125	1994-		LB05F	8051
DT 125 F		125	-		LB05F	8051
DT 125 H		125	-		LB05F	8051
DT 125 MX		125	-		LB05F	8051
DT 125 Tenere		125	-		LB05F	8051
IT 125		125	-		LB05F	8051
IT 125 H		125	-		LB05F	8051
R 125 SE		125	-		LB05F	8051
RX 125		125	-	12,7mm Thread	LB05F	8051
RX 125 H		125	-		LB05F	8051
SR 125		125	-		LD05F	8060
SR 125	10F	125	1997-		LD05F	8060
SR 125 Z		125	1993-		LD05F	8060
TA 125 A		125	-		LB05F	8051
TDR 125	4GW	125	1992-1996		LB05F	8051
TDR 125	5AN	125	1997-		LB05F	8051
TZ 125	4JT	125	1995-		LB05F	8051
TZ 125 / F		125	1994-		LB05F	8051
TZ 125 H		125	-1995		LB05F	8051
TZR 125		125	-1992		LB05E-R	8898
TZR 125		125	-1992	LB05F/CR2	LB05F	8051
TZR 125		125	1993-		LB05E-R	8898
XC 125 Cygnus		125	-1994		LD05F	8060
XC 125 Cygnus		125	1995-		LD05F	8060
XC 125 T	4NB	125	1994-		LD05F	8060
XC 125 T	4KY	125	1995-		LD05F	8060
XC 125 T Cygnus T	4NB	125	1996-		LD05F	8060
XC 125 TR Cygnus	4NB	125	1996-1999		LD05F	8060
XT 125		125	-		LD05F	8060
XV 125	5AJ	125	1997-		LD05F	8060
YB 125		125	-	LB05F/CR2	LB05F	8051
YS 125		125	-		LB05F	8051
YZ 125		125	-	LB05F/CR2	LB05F	8051
YZ 125 B		125	-	Constr. Code / C / G / G1 / H / X	LB05F	8051
YZ 125 C		125	-		LB05F	8051
YZ 125 E		125	-		LB05F	8051
YZ 125 E / E1 / F		125	1993-		LB05F	8051
YZ 125 H		125	-		LB05F	8051
YZ 125 X		125	-		LB05F	8051
FZ 150		150	1994-		LD05F	8060
FZR 150		150	1994-		LD05F	8060







Stock No.

**YAMAHA**

RX 150		150	1993-		LB05F	8051
SR 150		150	1993-		LD05F	8060
XC 150 Fly one		150	1995-		LD05F	8060
AG 175		175	-		LB05F	8051
AG 175 H		175	-		LB05F	8051
YZ 175		175	-		LB05F	8051
RT 180 E		180	1993-		LB05F	8051
SH 185 H		185	-		LD05F	8060
AG 200 E / F		200	1993-		LD05F	8060
DT 200 LC / RE / RF		200	1993-		LB05F	8051
NR 200		200	-		LB05F	8051
TW 200 E / EC / F		200	1993-		LD05F	8060
TW 200 FC		200	1994-		LD05F	8060
WR 200 R / RE / RF		200	1993-		LB05F	8051
XT 225 E / EC / F / FC		225	1993-		LD05F	8060
TDR 240		240	-		LB05F	8051
XV 240		240	-		LD05F	8060
DT 250 H		250	-		LB05F	8051
R1-Z		250	1993-		LB05F	8051
SE 250		250	-		LB05F	8051
SR 250		250	-		LB05F	8051
SR 250 H / F		250	-		LB05F	8051
SR 250 TH		250	-		LB05F	8051
TT 250 R / RF		250	1994-	LB05F/CR2	LB05F	8051
TY 250 Z	4GG	250	1994-		LB05F	8051
TZ 250	4DP	250	1995-		LB05F	8051
TZ 250 / F		250	1994-		LB05F	8051
TZ 250 E/E1		250	1993-		LB05F	8051
WR 250 Z / ZE / ZF	4JW	250	1993-		LB05E-R	8898
XS 250 C		250	-		LB05F	8051
XS 250 H		250	-		LB05F	8051
XS 250 SE		250	-		SD05F-R	8238
XS 250 SH		250	-		SD05F-R	8238
XV 250		250	1994-		LD05F	8060
XV 250 F		250	1994-		LD05F	8060
XV 250 S	3LW	250	1995-		LD05F	8060
YP 250 Majesty	4UC	250	-		LD05F	8060
YZ 250	4DA,4EW	250	1992-		LB05F	8051
YZ 250	4MX	250	1995-		LB05F	8051
YZ 250 F		250	1994-		LB05F	8051
XT 350 E / F		350	1993-		LD05F	8060
YZ 360		360	-		LB05F	8051
DT 400 E		400	-		LB05F	8051
DT 400 H		400	-		LB05F	8051
SR 400		400	-	LB05F/CR2	LB05F	8051
TT 400 C		400	-		LB05F	8051
XV 400 SE		400	-		XB05F	8062
YZ 400		400	-		LB05F	8051
YZ 400 C		400	-		LB05F	8051
YZ 400 E		400	-		LB05F	8051
IT 500		500	-		LB05F	8051
SR 500	3EB	500	1995-	LB05F/CR2	LB05F	8051





Stock No.

**YAMAHA**

<b>SR 500</b>	48T	500	1997-	LB05F/CR2	LB05F	8051
<b>SR 500 E</b>		500	-	LB05F/CR2	LB05F	8051
<b>SR 500 H</b>		500	-	LB05F/CR2	LB05F	8051
<b>XJ 500</b>		500	-		XD05F-R	8768
<b>XT 500 E</b>		500	-1992		LB05F	8051
<b>XV 500</b>		500	-		XB05F	8062
<b>XT 600 E</b>	4PT / 4SK	600	1995-		LD05F	8060
<b>XT 600 E / EF / EFC</b>		600	1994-		LD05F	8060
<b>XT 600 EH</b>	3TB	600	1997-		LD05F	8060
<b>XT 600 EH</b>	3UW	600	1997-		LD05F	8060
<b>XS 650 H</b>		650	-		XB05F	8062
<b>XS 650 II</b>		650	-		XB05F	8062
<b>XS 650 S</b>		650	-		XB05F	8062
<b>XS 650 SH</b>		650	-		XB05F	8062
<b>XV 750</b>	4PW	750	1995-		XB05F	8062
<b>XV 1100</b>	3LP	1100	1995-		XB05F	8062
<b>XV 1100 SC</b>		1100	-		XB05F	8062
<b>FJ 1200 AE/ AEC / E / F</b>		1200	1993-		SD05F-R	8238





Stock No.

**HONDA**

TRX 70		70	-		LD05F	8060
TRX 90		90	1993-1994		LD05F	8060
TRX 90		90	1995-		LD05F	8060
ATC 125 M		125	-		LD05F	8060
Trax 125		125	-		LD05F	8060
TRX 125		125	-		VD05F	8052
ATC 185		185	-		LD05F	8060
ATC 185 S		185	-		LD05F	8060
ATC 200		200	-		VD05F	8052
TRX 200 D		200	1992-		VD05F	8052
ATC 250 ES /SX		250	1985-		VD05F	8052
TRX 250		250	-		VD05F	8052
TRX 250 R		250	-		VD05F	8052
TRX 250 X		250	-		VD05F	8052

**KAWASAKI**

KLF 110		110	1983-1986		LD05F	8060
KLF 110		110	1987-1988		LD05F	8060
KLT 160		160	1985-		LD05F	8060
KLF 185		185	1985-1988		LD05F	8060
KLT 200		200	1981-1994		LB05FP	8030
KLF 220 A		220	1988-2002		LD05F	8060
KDX 250		250	-		LB05F	8051
KDX 250		250	1991-		LB05F	8051
KDX 250 SR		250	1992-		LB05F	8051
KLT 250		250	1982-1985		LB05FP	8030
KSF 250		250	1987-2004		XD05F-R	8768
KXF 250		250	1988-		LBER-B	8308
KXT 250		250	1984-1988		LBER-B	8308
KAF 300		300	1991-1997		LB05EMHR	8160
KEF 300 A&B	(SQ)	300	1995-		LD05F	8060
KLF 300 B&C		300	1988-2006		LB05F	8051
KAF 450		450	1990-1996		XD05F-R	8768
KAF 620		620	1993-2001		LB05EMHR	8160

**SUZUKI**

LT 50		50	-		LB05F	8051
LT 80		80	-		LB05F	8051
LT 160 E		160	-1992	Constr.Code N	LD05F	8060
LT 160 E		160	1993-	Constr.Code P	LD05F	8060
LT 160 F		160	1993-	Constr.Code P	LD05F	8060
LT-F 160		160	1995-		LD05F	8060
LT 230 E		230	1993-	Constr.Code P	LD05F	8060
LT 230 E/F		230	-		LD05F	8060
LT 230 GE		230	-		LD05F	8060
LT 250		250	1985-1986		XD05F-R	8768
LT 250		250	1988-1993		VD05F-R	8376
LT 250 R		250	1985-1992		XD05F-R	8768
LT 250 S		250	1989-1990		VD05F-R	8376
LT-F 250		250	1988-2000		VD05F-R	8376
LT-F 250		250	1988-1999		VD05F-R	8376
LT-F 250 4WD		250	1987-1998		VD05F-R	8376
LT-F 250 4WDX		250	1991-1998		VD05F-R	8376





Stock No.

**SUZUKI**

LT-F 250 F		250	1999-2000		VD05F-R	8376
LT 300		300	1987-1989		XD05F-R	8768
LT-F 300 F		300	1999-2000		VD05F-R	8376
LT 500		500	1987-1990		LB10EH	8351
LT-A 500 F		500	1998-2000		VD05F-R	8376

**YAMAHA**

YF 60 1HN		60	1987-1988		LB05F	8051
YFM 80		80	-		LD05F	8060
YFM 80 E / F		80	1993-		LD05F	8060
YFM 80 W		80	2002-		LD05F	8060
YFM 80 W Badger		80	2002-		LD05F	8060
YFA 1 Breeze		125	1989-2004		LD05F	8060
YFA 1 F		125	1994-		LD05F	8060
YT 125		125	-		LB05F	8051
YT 125 CH		125	-		LB05F	8051
YT 125 H		125	-		LB05F	8051
YT 175		175	-		LB05F	8051
YFM 200	52H	200	1985-		LD05F	8060
YFM 200		200	1992-		LD05F	8060
YFM 225	2HT	200	-		LD05F	8060
YFM 225	59V	200	-		LD05F	8060
YFS 200 Blaster		200	1990-2007		LB05F	8051
YFS 200 E / F		200	1993-		LB05F	8051
TT 225		225	-		LD05F	8060
YFM 225		225	1992-		LD05F	8060
YFB 250 / E / F / FWF		250	1993-		LD05F	8060
YFB 250 / FW		250	1994-		LD05F	8060
YFM 250	3GH	250	1990-		LD05F	8060
YFM 250 Timberwolf		250	-		LD05F	8060
YFB 350		350	1996-1997		LD05F	8060
YFM-F 350		350	1987-1997		LD05F	8060
YFM-X 350		350	1987-1997		LD05F	8060
YFU-1		350	1989-		LD05F	8060
YFZ 350		350	1987-1997		LB05E-R	8898
YFM 400		400	1993-		LD05F	8060



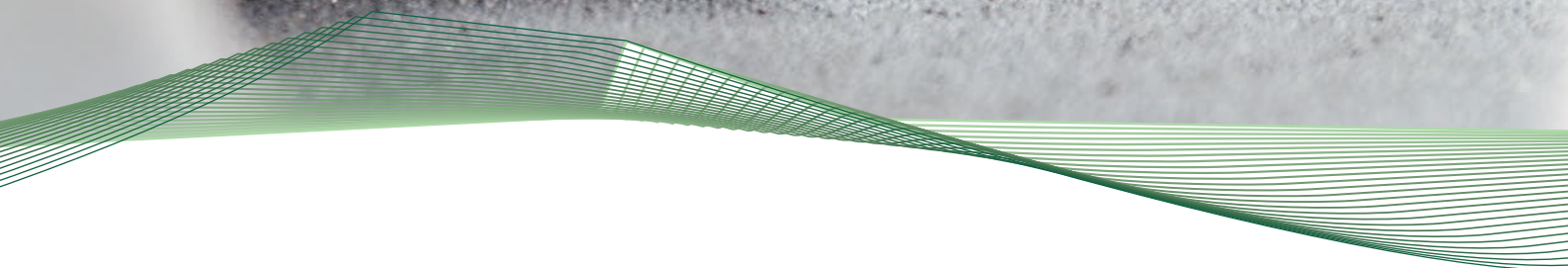


Stock No.

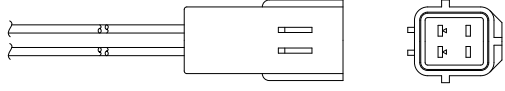
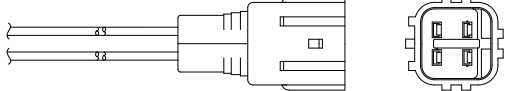
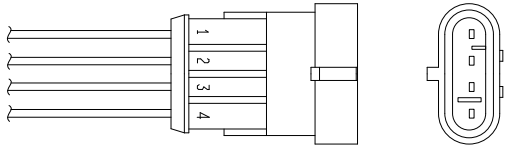
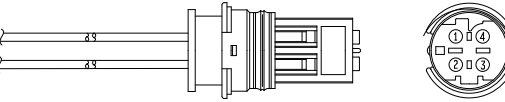
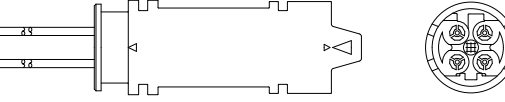
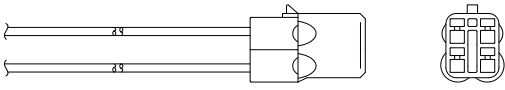
### CAN-AM

<b>Maverick X DS 1000</b>	X DS	1000	2013-		VF05EMK	92648
<b>Maverick X MR 1000</b>	X MR	1000	2013-		VF05EMK	92648
<b>Maverick X RS 1000</b>	X RS	1000	2013-		VF05EMK	92648
<b>Maverick X XC 1000</b>	X XC	1000	2013-		VF05EMK	92648

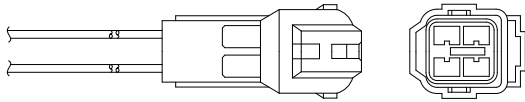
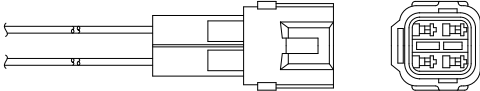
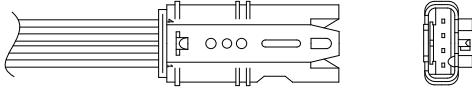
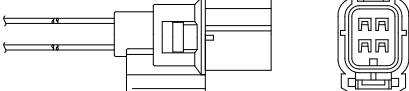
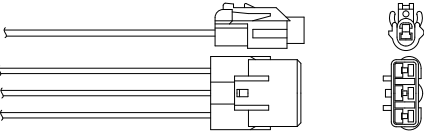
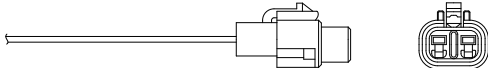
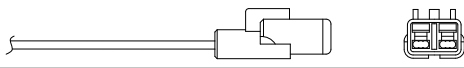
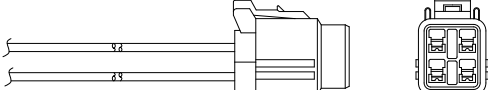
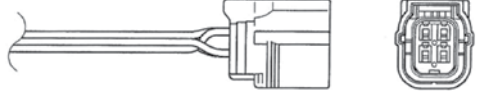




VEHICLE  
ELECTRONICS

Connector N°	Type	REFERENCES	STOCK-N°
<b>31</b>		OZA591-BA1	6496
		OZA591-BA2	90520
		OZA591-SZ1	1767
		OZA591-YB1	001
<b>34</b>		AZD0101-KJ002	6552
		AZD0101-KJ004	6556
		AZD0101-KJ006	6559
		AZD0101-KJ008	6561
		AZD0102-KJ001	6567
		AZD0102-KJ003	6568
		AZD0102-KJ004	6574
<b>40</b>		OZA341-BB1	0036
		OZA591-BB2	1710
		OZA591-BB3	0066
<b>68</b>		OZA457-EE12	97070
		OZA630-BM3	0074
<b>69</b>		OZA522-BM1	0053
		OZA522-BM2	0054
<b>80</b>		AZD0101-BA001	7667
		AZD0101-KJ001	6551
		AZD0101-KJ005	6558
		AZD0101-VB001	7672
		AZD0101-VB002	7673
		AZD0101-VB003	7689
		AZD0101-VB004	7690
		AZD0102-HG003	7664
		AZD0102-HG004	7665
		OZA448-J1	6413
		OZA448-J3	6415
		OZA448-J4	0003
		OZA448-J5	0004
		OZA523-J1	1333
		OZA577-H12	6473
		OZA577-H17	0007
		OZA577-H21	6479
OZA577-H24	6484		
OZA591-J2	6454		
OZA656-H1	6491		
OZA656-H3	6493		



Connector N°	Type	REFERENCES	STOCK-N°
<b>96</b>		AZD0101-HG001	6539
		AZD0101-HG002	6540
		AZD0101-HG003	6541
		AZD0101-HG004	6543
		OZA333-H16	6456
		OZA333-H29	6459
		OZA333-H30	6460
		OZA333-H31	6462
		OZA577-H13	6475
		OZA577-H15	0064
		OZA577-H19	6476
		OZA577-H20	6477
		OZA577-H22	6483
		OZA577-H4	6463
		OZA577-H5	6469
		OZA577-H6	0065
		OZA577-H7	6471
<b>97</b>		OZA591-UB1	0067
		OZA591-UB2	0008
		OZA591-VB2	0009
		OZA591-WB1	0010
<b>99</b>		OZA630-BM1	0072
		OZA630-BM2	0073
<b>105</b>		AZD0102-HG009	6576
		OZA577-H28	1347
<b>124</b>		OZA448-J2	6414
<b>126</b>		OZA582-J3	6446
		OZA582-J4	6447
<b>127</b>		ZSJ0002-HG002	6538
<b>128</b>		AZD0101-SU001	6545
		AZD0101-SU002	6547
		AZD0101-SU004	7668
		AZD0101-SU005	7671
<b>137</b>		OZA577-H27	1346







Length of wires

No. of wires

Connector No.



Stock No.

**APRILIA**

<b>RSV 1000 R</b>		1000	102	04.2004-		590	4	31	OZA591-SZ1	1767
<b>RSV 1000 R Factory</b>		1000	102	10.2003-	ROTAX	590	4	31	OZA591-SZ1	1767
<b>Tuono 1000 R</b>		1000	102	03.2006-	ROTAX	590	4	31	OZA591-SZ1	1767
<b>Tuono 1000 R Factory</b>		1000	102	03.2006-	ROTAX	590	4	31	OZA591-SZ1	1767

**BMW**

<b>F 650 CS</b>	K14/02	650	25	01.2004-12.2005		341	4	68	OZA630-BM3	0074
<b>F 650 CS</b>	K14	650	25	11.2001-12.2003		345	4	68	OZA457-EE12	97070
<b>F 650 CS</b>	K14/02	650	37	04.2004-12.2005		341	4	68	OZA630-BM3	0074
<b>F 650 GS</b>	K72	650	25	10.2007-		521	4	99	OZA630-BM2	0073
<b>F 650 GS</b>	R13Mü	650	25	12.2003-12.2007		341	4	68	OZA630-BM3	0074
<b>F 650 GS</b>		650	37	09.1999-12.2003		345	4	68	OZA457-EE12	97070
<b>F 650 GS</b>	K72	650	52	10.2007-		521	4	99	OZA630-BM2	0073
<b>F 650 GS Dakar</b>		650	37	09.1999-12.2003		345	4	68	OZA457-EE12	97070
<b>G 650 Xchallenge</b>	K15	650	39	03.2007-08.2011		231	4	99	OZA630-BM1	0072
<b>G 650 Xcountry</b>	K15	650	39	03.2007-08.2011		231	4	99	OZA630-BM1	0072
<b>G 650 Xmoto</b>	K15	650	39	03.2007-08.2011		231	4	99	OZA630-BM1	0072
<b>F 800 GS</b>	K72	800	63	10.2007-		521	4	99	OZA630-BM2	0073
<b>F 800 R</b>	K73/02	800	25	03.2009-		521	4	99	OZA630-BM2	0073
<b>F 800 R</b>	K73	800	25	12.2007-02.2009		521	4	99	OZA630-BM2	0073
<b>F 800 R</b>	K73	800	62	12.2006-02.2009		521	4	99	OZA630-BM2	0073
<b>F 800 R</b>	K73/02	800	64	03.2009-		521	4	99	OZA630-BM2	0073
<b>F 800 S</b>	K71	800	25	12.2005-		521	4	99	OZA630-BM2	0073
<b>F 800 S</b>	K71	800	62	12.2005-		521	4	99	OZA630-BM2	0073
<b>F 800 ST</b>	K71	800	25	09.2006-		521	4	99	OZA630-BM2	0073
<b>F 800 ST</b>	K71	800	62	09.2006-		521	4	99	OZA630-BM2	0073
<b>R 850 R</b>	R28	850	25	07.2002-08.2005		922	4	69	OZA522-BM1	0053
<b>R 850 R</b>	R28	850	52	07.2002-08.2005		922	4	69	OZA522-BM1	0053
<b>R 850 RT</b>	R22	850	52	03.2001-12.2004		922	4	69	OZA522-BM1	0053
<b>R 1100 S</b>	259S	1100	72	01.2003-01.2003		922	4	69	OZA522-BM1	0053
<b>R 1150 GS</b>	R21	1150	63	11.2001-12.2003		922	4	69	OZA522-BM1	0053
<b>R 1150 GS Adventure</b>	R21	1150	63	11.2001-09.2006		922	4	69	OZA522-BM1	0053
<b>R 1150 R</b>	R28	1150	63	10.2002-08.2005		922	4	69	OZA522-BM1	0053
<b>R 1150 RS</b>	R22	1150	70	05.2001-09.2004		922	4	69	OZA522-BM1	0053
<b>R 1150 RT</b>	R22	1150	70	03.2001-12.2004		922	4	69	OZA522-BM1	0053
<b>HP2</b>	K25HP	1200	77	12.2005-12.2006		231	4	99	OZA630-BM1	0072
<b>HP2 Megamoto</b>	K25HPMeg	1200	83	10.2007-10.2008		231	4	99	OZA630-BM1	0072
<b>HP2 Sport</b>	K29HP	1200	96	11.2007-04.2010		231	4	99	OZA630-BM1	0072
<b>K 1200 GT</b>	K41GT	1200	72	10.2002-08.2005		922	4	69	OZA522-BM1	0053
<b>K 1200 GT</b>	K41GT	1200	96	10.2002-08.2005		922	4	69	OZA522-BM1	0053
<b>K 1200 GT</b>	K44	1200	112	10.2002-10.2008		521	4	99	OZA630-BM2	0073
<b>K 1200 LT</b>	K589	1200	85	01.2004-07.2008		554	4	69	OZA522-BM2	0054
<b>K 1200 R</b>	K43	1200	120	03.2005-09.2008		521	4	99	OZA630-BM2	0073
<b>K 1200 RS</b>	K41	1200	72	01.2001-12.2004		922	4	69	OZA522-BM1	0053
<b>K 1200 RS</b>	K41	1200	96	01.2001-		922	4	69	OZA522-BM1	0053
<b>K 1200 S</b>	K40	1200	123	06.2004-09.2008		521	4	99	OZA630-BM2	0073
<b>R 1200 C</b>	259C	1200	45	06.2003-12.2004		922	4	53	OZA522-BM1	0053
<b>R 1200 C</b>	259C	1200	77	06.2003-12.2004		922	4	69	OZA522-BM1	0053
<b>R 1200 CL</b>	K30	1200	45	02.2002-12.2004		922	4	69	OZA522-BM1	0053
<b>R 1200 GS</b>	K25	1200	72	11.2003-01.2008		231	4	99	OZA630-BM1	0072
<b>R 1200 GS</b>	K25Mü	1200	77	10.2007-		231	4	99	OZA630-BM1	0072
<b>R 1200 GS Adventure</b>	K25Mü	1200	77	01.2008-		231	4	99	OZA630-BM1	0072





Length of wires

No. of wires

Connector No.



Stock No.

**BMW**

<b>R 1200 R</b>	K27	1200	81	12.2006-09.2010		231	4	99	OZA630-BM1	0072
<b>R 1200 RT</b>	K26	1200	81	10.2004-07.2009		231	4	99	OZA630-BM1	0072
<b>R 1200 S</b>	K29	1200	81	10.2005-12.2007		231	4	99	OZA630-BM1	0072
<b>R 1200 ST</b>	K28	1200	81	12.2004-07.2008		231	4	99	OZA630-BM1	0072
<b>K 1300 GT</b>	K44TÜ	1300	118	10.2008-		521	4	99	OZA630-BM2	0073
<b>K 1300 R</b>	K43Mü	1300	127	10.2008-		521	4	99	OZA630-BM2	0073
<b>K 1300 S</b>	K40Mü	1300	129	09.2008-		521	4	99	OZA630-BM2	0073

**DUCATI**

<b>Monster 695</b>		695	54	06.2004-07.2008		880	4	40	OZA591-BB3	0066
<b>Monster 696</b>		695	59	08.2008-	2x	420	4	31	OZA591-BA2	90520
<b>Hypermotard 796</b>		796	60	01.2010-	2x	320	4	31	OZA591-BA1	6496
<b>Monster 796</b>		796	64	08.2009-	2x	420	4	31	OZA591-BA2	90520
<b>Monster S2R</b>		796	57	04.2006-07.2008		880	4	40	OZA591-BB3	0066
<b>848</b>		848	99	09.2007-		880	4	40	OZA591-BB3	0066
<b>848 S</b>		848	99	09.2007-		880	4	40	OZA591-BB3	0066
<b>Desmosedici RR</b>		989	147	07.2007-12.2008		880	4	40	OZA591-BB3	0066
<b>GT1000</b>		992	68	01.2006-		880	4	40	OZA591-BB3	0066
<b>Monster S2R 1000</b>		1000	70	01.2006-07.2008		880	4	40	OZA591-BB3	0066
<b>Monster S4RS</b>		1000	96	06.2004-08.2008		880	4	40	OZA591-BB3	0066
<b>Paul Smart 1000</b>		1000	68	01.2006-07.2008		880	4	40	OZA591-BB3	0066
<b>Sport 1000</b>		1000	68	01.2006-		880	4	40	OZA591-BB3	0066
<b>ST3</b>		1000	79	01.2004-12.2007		880	4	40	OZA591-BB3	0066
<b>ST3 S</b>		1000	79	01.2004-12.2007		880	4	40	OZA591-BB3	0066
<b>1098</b>		1098	119	11.2006-12.2008		880	4	40	OZA591-BB3	0066
<b>1098 R</b>		1098	132	01.2008-		880	4	40	OZA591-BB3	0066
<b>1098 S</b>		1098	119	11.2006-12.2008		880	4	40	OZA591-BB3	0066
<b>Streetfighter</b>		1099	116	01.2009-		880	4	40	OZA591-BB3	0066
<b>Streetfighter S</b>		1099	116	01.2009-		880	4	40	OZA591-BB3	0066
<b>Hypermotard</b>		1100	70	08.2007-12.2009		880	4	40	OZA591-BB3	0066
<b>Hypermotard 1100 Evo</b>		1100	70	01.2010-	2x	320	4	31	OZA591-BA1	6496
<b>Hypermotard 1100 Evo SP</b>		1100	70	01.2010-	2x	320	4	31	OZA591-BA1	6496
<b>Hypermotard S</b>		1100	70	08.2007-12.2009		880	4	40	OZA591-BB3	0066
<b>Monster 1100</b>		1100	70	01.2009-12.2010		880	4	40	OZA591-BB3	0066
<b>Monster 1100 Evo</b>		1100	73	01.2011-	2x	420	4	31	OZA591-BA2	90520
<b>Monster 1100 S</b>		1100	70	01.2009-12.2010		880	4	40	OZA591-BB3	0066
<b>Multistrada 1100</b>		1100	70	06.2006-12.2009		880	4	40	OZA591-BB3	0066
<b>Multistrada 1100 S</b>		1100	70	06.2006-12.2009		880	4	40	OZA591-BB3	0066
<b>1198</b>		1198	125	01.2008-		880	4	40	OZA591-BB3	0066
<b>1198 S</b>		1198	125	01.2008-		880	4	40	OZA591-BB3	0066

**HONDA**

<b>Zoomer 50</b>		50	3	01.2005-		225	4	96	OZA577-H13	6475
<b>Pantheon 125i</b>		125	10	01.2005-		280	4	96	OZA577-H6	0065
<b>PS 125 i</b>		125	10	01.2006-		210	4	96	OZA577-H15	0064
<b>PS 150 i</b>		125	11	01.2006-		210	4	96	OZA577-H15	0064
<b>S-Wing 125</b>		125	10	01.2006-		210	4	96	OZA577-H15	0064
<b>SH 125 i</b>		125	10	01.2005-		210	4	96	OZA577-H15	0064
<b>Pantheon 150i</b>		150	12	01.2005-		280	4	96	OZA577-H6	0065
<b>S-Wing 150</b>		150	11	01.2006-		210	4	96	OZA577-H15	0064
<b>S-Wing 150 ABS</b>		150	11	01.2006-		210	4	96	OZA577-H15	0064
<b>SH 150i</b>		150	11	01.2005-		210	4	96	OZA577-H15	0064
<b>SH 300</b>		300	28	04.2007-		285	1	127	ZSJ0002-HG002	6538





Length of wires

No. of wires

Connector No.



Stock No.

**HONDA**

SH 300 ABS		300	28	04.2007-		285	1	127	ZSJ0002-HG002	6538
CBR 600 RR		600	88	01.2007-		675	4	80	OZA577-H24	6484
Hornet 600		600	75	02.2007-		500	4	80	OZA656-H3	6493
Silver Wing 600		600	37	02.2007-		440	4	96	OZA577-H22	6483
XL 680 Transalp		680	44	07.2008-		305	4	80	OZA656-H1	6491
VT 750		750	34	01.2007-	Sensor I	225	4	96	OZA577-H19	6476
VT 750		750	34	01.2007-	Sensor II	405	4	96	OZA577-H20	6477
VT 750 Shadow		750	34	01.2007-	Sensor I	225	4	96	OZA577-H19	6476
VT 750 Shadow		750	34	01.2007-	Sensor II	405	4	96	OZA577-H20	6477
VT 750 Shadow Spirit		750	34	01.2007-	Sensor I	225	4	96	OZA577-H19	6476
VT 750 Shadow Spirit		750	34	01.2007-	Sensor II	405	4	96	OZA577-H20	6477
VFR 800		800	80	01.1999-12.1999		510	4	96	OZA333-H16	6456
VFR 800		800	80	01.2000-12.2000		510	4	96	OZA333-H29	6459
VFR 800		800	80	01.2001-	Sensor I	340	4	96	OZA333-H30	6460
VFR 800		800	80	01.2001-	Sensor II	300	4	96	OZA333-H31	6462
CBF 1000		1000	72	01.2006-		990	4	80	OZA577-H17	0007
CBF 1000 ABS		1000	72	01.2006-		990	4	80	OZA577-H17	0007
CBR 1000 RR Fireblade		1000	126	01.2006-12.2007		865	4	80	OZA577-H21	6479
CBR 1000 RR Fireblade		1000	126	02.2004-12.2005		970	4	80	OZA577-H12	6473
CBR 1000 RR Fireblade		1000	131	01.2008-		930	4	105	AZD0102-HG009	6576
XL 1000 Varadeiro		1000	69	01.2003-12.2006		840	4	96	OZA577-H7	6471
XL 1000 Varadeiro		1000	69	01.2007-		880	4	96	OZA656-H2	6492
CBR 1100 XX Super Blackbird		1100	112	01.2003-12.2007		640	4	96	AZD0101-HG004	6543
CB 1300		1300	85	03.2008-	Sensor I	920		80	AZD0102-HG003	7664
CB 1300		1300	85	03.2008-	Sensor II	590	4	80	AZD0102-HG004	7665
CB 1300 S		1300	85	03.2008-	Sensor I	920		80	AZD0102-HG003	7664
CB 1300 S		1300	85	03.2008-	Sensor II	590	4	80	AZD0102-HG004	7665
Pan European		1300	93	01.2006-08.2007	Sensor I	530	4	96	OZA577-H4	6463
Pan European		1300	93	01.2006-08.2007	Sensor II	530	4	96	OZA577-H5	6469
Pan European		1300	93	09.2007-	Sensor I	530	4	96	OZA656-H5	6494
Pan European		1300	93	09.2007-	Sensor II	530	4	96	OZA656-H6	6495
GL 1800 Gold Wing		1800	87	01.2004-	Sensor I	780	4	137	OZA577-H27	1346
GL 1800 Gold Wing		1800	87	01.2004-	Sensor II	840	4	105	OZA577-H28	1347
GL 1800 Gold Wing		1800	87	01.2007-	Sensor I	700	4	96	AZD0101-HG001	6539
GL 1800 Gold Wing		1800	87	01.2007-	Sensor II	750	4	96	AZD0101-HG002	6540
VTX 1800		1800	71	01.2003-12.2005		450	4	96	AZD0101-HG003	6541

**HUSQVARNA**

SM 450 R		450	14	09.2007-		410	4	97	OZA591-WB1	0010
TE 450		450	21	09.2007-		410	4	97	OZA591-WB1	0010
SM 510 R		510	14	09.2007-		410	4	97	OZA591-WB1	0010
SM 610		610	39	10.2006-		410	4	97	OZA591-WB1	0010

**HYOSUNG**

GT 650i		650	25	01.2007-		410	4	97	OZA591-WB1	0010
GT 650i		650	60	01.2007-		410	4	97	OZA591-WB1	0010
GV 650i		650	24	01.2007-		410	4	97	OZA591-WB1	0010
GV 650i		650	59	01.2007-		410	4	97	OZA591-WB1	0010

**KAWASAKI**

ZX-6R Ninja		600	25	01.2007-	Sensor I	235	4	34	AZD0101-KJ002	6552
ZX-6R Ninja		600	25	01.2007-	Sensor II	235	4	34	AZD0101-KJ006	6559
ZX-10R		1000	128	11.2005-05.2006		345	4	80	AZD0101-KJ001	6551





Length of wires

No. of wires

Connector No.



Stock No.

**KAWASAKI**

ZX-10R		1000	129	01.2008-	Sensor I	660	4	34	AZD0102-KJ003	6568
ZX-10R		1000	129	01.2008-	Sensor II	760	4	34	AZD0102-KJ004	6574
ZX-10R		1000	129	06.2006-12.2007	Sensor I	345	4	34	AZD0101-KJ004	6556
ZX-10R		1000	129	06.2006-12.2007	Sensor II	500	4	80	AZD0101-KJ005	6558
ZZR 1400		1400	72	01.2007-12.2007	Sensor I	345	4	34	AZD0101-KJ004	6556
ZZR 1400		1400	72	01.2007-12.2007	Sensor II	275	4	34	AZD0101-KJ008	6561
ZZR 1400		1400	140	01.2007-	Sensor I	345	4	34	AZD0101-KJ004	6556
ZZR 1400		1400	140	01.2007-	Sensor II	275	4	34	AZD0101-KJ008	6561
ZZR 1400		1400	142	01.2008-		235	4	34	AZD0102-KJ001	6567

**KTM**

690 Duke		690	48	03.2008-		500	4	80	AZD0101-VB002	7673
690 Enduro		690	45	03.2008-		500	4	80	AZD0101-VB002	7673
690 SMC		690	45	03.2008-		500	4	80	AZD0101-VB002	7673
690 Supermoto		690	47	03.2007-		500	4	80	AZD0101-VB002	7673
690 Supermoto R		690	46	03.2008-		500	4	80	AZD0101-VB002	7673
990 Adventure		990	25	01.2006-		500	4	97	OZA591-VB2	0009
990 Adventure		990	72	01.2006-		500	4	97	OZA591-VB2	0009
990 Adventure S		990	72	01.2006-		500	4	97	OZA591-VB2	0009
990 Superduke		990	88	01.2006-		500	4	97	OZA591-VB2	0009
990 Superduke R		990	88	01.2006-		500	4	97	OZA591-VB2	0009
990 Supermoto		990	85	03.2008-		500	4	97	OZA591-VB2	0009

**KYMGCO**

People S 200i		200	8	01.2007-		500	4	80	AZD0101-BA001	7667
Yager GT 200i		200	11	06.2006-		590	4	31	OZA591-YB1	0011
People S 250i	D21000	250	15	01.2007-		500	4	80	AZD0101-BA001	7667
Venox 250 AFI		250	21	06.2006-		590	4	31	OZA591-YB1	0011
Xciting 250i		250	16	06.2006-		590	4	31	OZA591-YB1	0011

**MOTO GUZZI MC**

Breva V 750 i.e.		750	25	01.2003-12.2005		310	4	40	OZA341-BB1	0036
Breva V 750 i.e.		750	36	01.2003-		310	4	40	OZA341-BB1	0036
Breva V 750 i.e.		750	36	01.2006-		310	4	40	OZA591-BB2	1710
Nevada V 750 i.e.		750	36	01.2006-		310	4	40	OZA591-BB2	1710
Breva V 850 i.e.		850	53	01.2006-		310	4	40	OZA591-BB2	1710
Griso V 850 i.e.		850	56	01.2006-		310	4	40	OZA591-BB2	1710
Norge V 850 i.e.		850	53	01.2006-		310	4	40	OZA591-BB2	1710
Breva V 1100		1100	62	03.2004-12.2005		310	4	40	OZA341-BB1	0036
Breva V 1100 i.e.		1100	63	01.2006-		310	4	40	OZA591-BB2	1710
California Classic		1100	55	01.2006-		310	4	40	OZA591-BB2	1710
California Classic		1100	55	01.2006-12.2006		310	4	40	OZA341-BB1	0036
California EV		1100	55	03.2004-12.2005		310	4	40	OZA341-BB1	0036
California EV Touring		1100	55	03.2004-12.2005		310	4	40	OZA341-BB1	0036
California Touring		1100	55	01.2006-		310	4	40	OZA341-BB1	0036
California Vintage		1100	55	01.2006-		310	4	40	OZA341-BB1	0036
California Vintage		1100	55	01.2006-		310	4	40	OZA591-BB2	1710
Griso V 1100 i.e.		1100	65	01.2006-		310	4	40	OZA591-BB2	1710
V11 Cafè Sport		1100	67	03.2004-12.2004		310	4	40	OZA341-BB1	0036
V11 Coppa Italia		1100	67	03.2004-12.2005		310	4	40	OZA341-BB1	0036
V11 Le Mans		1100	67	03.2004-12.2005		310	4	40	OZA341-BB1	0036
V11 Le Mans Nero		1100	67	03.2004-12.2005		310	4	40	OZA341-BB1	0036
V11 Le Mans Rosso Corsa		1100	67	03.2004-12.2005		310	4	40	OZA341-BB1	0036
V11 Scura R		1100	67	01.2005-12.2005		310	4	40	OZA341-BB1	0036





Length of wires

No. of wires

Connector No.



Stock No.

**MOTO GUZZI MC**

V11 Sport Ballabio		1100	67	03.2004-12.2005		310	4	40	OZA341-BB1	0036
Norge V 1200 i.e.		1200	66	01.2006-		310	4	40	OZA591-BB2	1710
Sport V 1200 i.e.		1200	70	01.2006-		310	4	40	OZA591-BB2	1710
Stelvio 1200 4V		1200	81	01.2009-		310	4	40	OZA591-BB2	1710

**MOTO MORINI**

9 1/2 1200		1200	86	01.2005-		310	4	40	OZA591-BB2	1710
Corsaro 1200		1200	103	01.2005-		310	4	40	OZA591-BB2	1710

**MV AGUSTA**

F4 Brutale 910		910	100	10.2006-12.2008		310	4	40	OZA591-BB2	1710
Brutale 989 R		989	104	01.2009-		310	4	40	OZA591-BB2	1710
F4 1000 CC		1000	141	07.2007-12.2008		310	4	40	OZA591-BB2	1710
F4 1000R		1000	128	10.2006-12.2008		310	4	40	OZA591-BB2	1710
Brutale 1078 RR		1078	108	01.2009-		310	4	40	OZA591-BB2	1710
F4 1078 RR		1078	140	01.2009-		310	4	40	OZA591-BB2	1710

**PEUGEOT**

Geopolis 125		125	11	03.2006-		590	4	31	OZA591-SZ1	1767
Satelis 125		125	11	03.2006-		590	4	31	OZA591-SZ1	1767
Satelis 125 K15 Compressor		125	11	03.2006-		590	4	31	OZA591-SZ1	1767
Satelis 125 K20 Compressor		125	15	03.2006-		590	4	31	OZA591-SZ1	1767

**ROYAL ENFIELD**

Bullet 500 Classic		500	20	01.2009-		500	4	80	AZD0101-VB001	7672
Bullet 500 Electra		500	20	01.2009-		500	4	80	AZD0101-VB001	7672

**SUZUKI**

RV 125 VanVan		125	9	01.2007-		460	4	128	AZD0101-SU002	6547
GSX-R 600		600	91	01.2008-		710	4	128	AZD0101-SU005	7671
AN 650 Burgman		650	40	01.2003-12.2003		720	4	80	OZA523-J1	1333
DL 650 V-Strom		650	25	03.2006-		365	4	80	OZA591-J2	6454
DL 650 V-Strom		650	49	03.2006-		365	4	80	OZA591-J2	6454
SV 650		650	25	01.2007-		710	4	128	AZD0101-SU005	7671
SV 650		650	53	01.2007-		710	4	128	AZD0101-SU005	7671
SV 650 S		650	25	02.2007-		710	4	128	AZD0101-SU005	7671
SV 650 S		650	53	02.2007-		710	4	128	AZD0101-SU005	7671
GSX-R 750		750	110	01.2008-		710	4	128	AZD0101-SU005	7671
VL 800 Intruder		800	39	05.2004-		610	4	128	AZD0101-SU001	6545
DL 1000 V-Strom		1000	72	05.2002-12.2006		480	4	124	OZA448-J2	6414
GSX-R 1000		1000	136	01.2007-		235	4	128	AZD0101-SU004	7668
TL 1000		1000	92	05.2007-12.2007		630	4	80	OZA448-J3	6415
Bandit 1200		1200	72	11.2006-12.2007		710	4	128	AZD0101-SU005	7671
Bandit 1200 S		1200	72	11.2006-12.2007		710	4	128	AZD0101-SU005	7671
GSX-R 1300 Hayabusa		1300	129	05.2002-12.2006		420	4	80	OZA448-J1	6413
GSX-R 1300 Hayabusa		1300	129	05.2007-		235	4	128	AZD0101-SU004	7668
VL 1500 Intruder		1500	49	01.2006-		460	4	128	AZD0101-SU002	6547
M 1800 R		1800	92	04.2006-12.2007		370	4	80	OZA448-J5	0004
VZR 1800 Intruder		1800	92	01.2008-		370	2	126	OZA582-J3	6446
VZR 1800 Intruder		1800	92	01.2008-		203	2	126	OZA582-J4	6447

**TRIUMPH**

Daytona 600		600	72	01.2003-		640	4	97	OZA591-UB1	0067
Daytona 600		600	82	01.2003-		640	4	97	OZA591-UB1	0067
Daytona 600		600	82	01.2003-12.2005		640	4	97	OZA591-UB1	0067





Length of wires

No. of wires

Connector No.



Stock No.

**TRIUMPH**

Speed Four		600	25	01.2002-		640	4	97	OZA591-UB1	0067
Speed Four		600	72	01.2002-		640	4	97	OZA591-UB1	0067
Daytona 675		675	25	01.2007-		500	4	80	AZD0101-VB003	7689
Street Triple 675		675	25	01.2008-		500	4	80	AZD0101-VB003	7689
Street Triple 675		675	78	01.2008-		500	4	80	AZD0101-VB003	7689
America		865	25	01.2007-		500	4	80	AZD0101-VB003	7689
America		865	41	01.2007-		500	4	80	AZD0101-VB003	7689
Bonneville		865	25	01.2007-		500	4	80	AZD0101-VB003	7689
Bonneville		865	50	01.2007-		500	4	80	AZD0101-VB003	7689
Scrambler		865	25	01.2007-		500	4	80	AZD0101-VB003	7689
Scrambler		865	42	01.2007-		500	4	80	AZD0101-VB003	7689
Thruxton		865	25	01.2007-		500	4	80	AZD0101-VB003	7689
Thruxton		865	51	01.2007-		500	4	80	AZD0101-VB003	7689
Thunderbird Sport		900	67	01.2003-12.2004		640	4	97	OZA591-UB1	0067
Daytona 955i		955	72	01.2001-		640	4	97	OZA591-UB1	0067
Daytona 955i		955	108	01.2001-		640	4	97	OZA591-UB1	0067
Speed Triple		955	72	01.2001-12.2005		640	4	97	OZA591-UB1	0067
Speed Triple		955	108	01.2001-		640	4	97	OZA591-UB1	0067
Sprint RS		955	72	01.2001-12.2004		640	4	97	OZA591-UB1	0067
Sprint ST		955	72	01.2001-12.2004		640	4	97	OZA591-UB1	0067
Tiger		955	72	01.2003-12.2004		640	4	97	OZA591-UB1	0067
Tiger		955	78	01.2004-12.2006		640	4	97	OZA591-UB1	0067
Speed Triple		1050	72	01.2006-12.2007		640	4	97	OZA591-UB1	0067
Speed Triple		1050	72	01.2008-		500	4	80	AZD0101-VB002	7673
Speed Triple		1050	95	01.2005-12.2007		640	4	97	OZA591-UB1	0067
Speed Triple		1050	97	01.2008-		500	4	80	AZD0101-VB002	7673
Sprint ST		1050	72	01.2005-12.2007		640	4	97	OZA591-UB1	0067
Sprint ST		1050	72	01.2008-		500	4	80	AZD0101-VB002	7673
Sprint ST		1050	92	01.2005-		640	4	97	OZA591-UB1	0067
Sprint ST		1050	93	01.2008-		500	4	80	AZD0101-VB002	7673
Tiger		1050	72	01.2007-		500	4	80	AZD0101-VB002	7673
Tiger		1050	84	01.2007-		500	4	80	AZD0101-VB002	7673
Thunderbird		1600	59	01.2009-		250	4	80	AZD0101-VB004	7690
Rocket III		2300	72	01.2005-12.2006		535	4	97	OZA591-UB2	0008
Rocket III		2300	72	01.2007-		500	4	80	AZD0101-VB002	7673
Rocket III		2300	103	01.2005-		535	4	97	OZA591-UB2	0008
Rocket III		2300	103	01.2007-		500	4	80	AZD0101-VB002	7673
Rocket III		2300	104	01.2004-12.2004		535	4	97	OZA591-UB2	0008
Rocket III Classic		2300	72	01.2006-12.2006		535	4	97	OZA591-UB2	0008
Rocket III Classic		2300	103	01.2006-		535	4	97	OZA591-UB2	0008







# CROSS REFERENCE GUIDE



IGNITION  
PARTS





# Industry

ACDELCO	→ NGK	Quick
41XL	B9ES	Q202
42F	B6HS	Q203
42FF	B6HS	Q203
42FS	BP6HS	
42XL	B8ES	Q201
42XLS	BP6ES	
43F	B6HS	Q203
43FFS	BP6HS	
43FS	BP6HS	
43N	B7ES	
43XL	B7ES	
43XLS	BP6ES	
44	B6S	Q302
44F	B5HS	
44FF	B5HS	
44FFS	BP5HS	
44N	B6ES	
44NS	BP5ES	
44XL	B6ES	
44XLO	BP5ES	
44XLS	BP5ES	
45	B-4	
45F	B5HS	
45FF	B5HS	
45FFS	BP5HS	
45NS	BP5ES	
45XL	B6ES	
45XLS	BP5ES	
46	B-4	
46F	B5HS	
46FF	B5HS	
46FFS	BP5HS	
46N	B5ES	
46XL	B5ES	
47FF	B-4H	
47S	BP-4	
47XL	B4ES	
48	B-4	
414XLS	BP6ES	
420Z	B-4H	
422Z	B5HS	
425F	B6HS	Q203
425Z	B6HS	Q203
426FS	BP6HS	
430Z	B7HS	Q204
438XLS	BP8ES	
440XLS	BP8ES	
445Z	B8HS	Q205
41601	BPR6ES	
B43	B6S	Q302
B44FS	BP5HS	
B45	B-4	
B4021	B6S	Q302

ACDELCO	→ NGK	Quick
B4031	B-4	
C41	B7S	
C42CFS	BP6HS	
C42CLTS	BP6EFS	
C42CXLS	BP6ES	
C42LTS	BP6EFS	
C42N	B7ES	
C42XLS	BP5ES	
C43	B6S	Q302
C43CXLS	BP6ES	
C43L	B-6L	
C43N	B6ES	
C44	B6S	Q302
C44N	B6ES	
C44NS	BP5ES	
C44XL	B6ES	
C45	B-4	
C46	B-4	
C47	B-4	
C47W	B-4	
C81	AB-8	
C82	AB-7	
C83	AB-7	
C85	AB-6	
C86	AB-6	
C87	AB-6	
C421	B6S	Q302
CFR2CLS	BKR6ES	
CR42CXLS	BPR6ES	
CR42N	BR7ES	
CR43	BR6S	
CR43CXLS	BPR6ES	
CR43K	BR6S	
CR43N	BR6ES	
CR44N	BR6ES	
CR44NS	BPR5ES	
CS45	BM6A	
CSR45	BMR6A	
FR2LS	BKR6ES	
FR2LSK	BKR6ES	
FR3CLS	BKR5ES	
FR3LS	BKR5ES	
FR3LSK	BKR5ES	
FR5LS	BKR5ES	
M40FF	B9HS	
M40FFX	B9HS-10	
M41FF	B8HS	Q205
M41K	B8S	
M42FF	B7HS	Q204
M42K	B7S	
M43FF	B6HS	Q203
M44B	B6S	Q302
M44C	B6S	Q302



<b>ACDELCO</b>	<b>→ NGK</b>	<b>Quick</b>
M44L	B-6L	
M45	B-4	
M45FF	B5HS	
M47	B-4	
M86	AB-6	
MB42K	B6S	Q302
MC41	B8S	
MC41F	B8HS	Q205
MC42	B8S	
MC42F	B7HS	Q204
MC44	B7S	
MC104F	C6HSA	
MC122F	D8HA	
MC124FS	D6HA	
MR42K	BR6S	
MR44C	BR6S	
MR45	B-4	
R41CF	BR7HS	Q211
R41CXL	BR9ES	Q208
R41CXLS	BPR7ES	
R42CF	BR6HS	Q209
R42CFS	BPR6HS	Q214
R42CXL	BR8ES	Q207
R42CXLS	BPR6ES	
R42FS	BPR6HS	Q214
R42XL	BR8ES	Q207
R42XLS	BPR6ES	
R42XLSM	ZGR5C	
R43	BR6S	
R43C	BR6S	
R43CFS	BPR6HS	Q214
R43CXL	BR7ES	
R43CXLS	BPR6ES	
R43FS	BPR6HS	Q214
R43N	BR7ES	
R43XL	BR7ES	
R43XLS	BPR6ES	
R44	BR6S	
R44CF	BR5HS	
R44CXL	BR6ES	
R44CXLS	BPR5ES	
R44F	BR5HS	
R44N	BR6ES	
R44NS	BPR5ES	
R44XL	BR6ES	
R44XLS	BPR5ES	
R44XLSE	ZGR5C	
R44XLSM	ZGR5C	
R45	BR6S	
R45NS	BPR5ES	
R45XL	BR6ES	
R45XLS	BPR5ES	
R46	BR6S	

<b>ACDELCO</b>	<b>→ NGK</b>	<b>Quick</b>
R46N	BR5ES	
R46S	BP-4	
R46XL	BR5ES	
R46XLS	BPR4ES	
R47S	BP-4	
R426FS	BPR6HS	Q214
S40F	B9HS	
S40FR	BR9HS	
S40XL	B10ES	
S40XLR	BR8ES	Q207
S41F	B8HS	Q205
S41FG	B7HCS	
S41FR	BR8HS	Q212
S41XL	B9ES	Q202
S41XLR	BR9ES	Q208
S42	B7S	
S42F	B7HS	Q204
S42FR	BR7HS	Q211
S42XL	B8ES	Q201
S42XLR	BR8ES	Q207
S43XL	B7ES	
S43XLR	BR7ES	
S44	B6S	Q302
S44F	B5HS	
S44XL	B6ES	
S45F	B5HS	
S46	B-4	
S81F	AB-8	
S82F	AB-8	
S83F	AB-7	
S85F	AB-6	
S102F	C7HSA	
S104F	C6HSA	
S121F	D8HA	
S121XL	D8EA	Q216
S122F	D8HA	
S123XL	D7EA	
S124FS	D6HA	
S404XLG	B10EG	
S408XLG	B9EG	
SB41	B7S	
SN46	B-4	
SV4XL	BUE	
SV41XL	BUE	
TC42	B8S	
TC45	B6S	Q302
TC81	AB-8	
TC82	AB-8	
TC83	AB-7	
TC85	AB-6	
TC86	AB-6	
<b>AUTOLITE</b>	<b>→ NGK</b>	<b>Quick</b>
53	BP6ES	





# Industry

<b>AUTOLITE</b>	<b>→ NGK</b>	<b>Quick</b>
54	BP6ES	
55	BP5ES	
56	BP5ES	
63	BPR6ES	
64	BPR6ES	
65	BPR5ES	
66	BPR5ES	
67	BPR4ES	
77	BP-4	
86	BP-4	
87	BP-4	
215	B-6L	
216	B-6L	
235	BM6A	
245	BMR6A	
254	BM6A	
255	BM6A	
273	BP6HS	
274	BP6HS	
275	BP5HS	
276	BP5HS	
283	BPR7HS	Q215
284	BPR6HS	Q214
292	B8S	
294	B6S	Q302
295	B-4	
297	B-4	
302	BR6S	
303	BR6S	
304	BR6S	
306	B-4	
312	B8S	
313	B7S	
314	B6S	Q302
315	B6S	Q302
316	B6S	Q302
317	B-4	
353	B8S	
354	B6S	Q302
355	B6S	Q302
356	B-4	
357	B-4	
363	BR6S	
372	AB-8	
373	AB-7	
374	AB-7	
375	AB-6	
376	AB-6	
377	AB-6	
378	AB-6	
386	AB-6	
393	B7ES	
394	B6ES	

<b>AUTOLITE</b>	<b>→ NGK</b>	<b>Quick</b>
395	B5ES	
396	B5ES	
397	B5ES	
398	B4ES	
402	BR8ES	Q207
403	BR6ES	
404	BR6ES	
405	BR5ES	
406	BR5ES	
411	B9HS	
413	B7HS	Q204
414	B6HS	Q203
415	B5HS	
416	B5HS	
417	B-4H	
424	B6HS	Q203
425	BR5HS	
426	BR5HS	
436	B-6L	
494	B-6L	
495	B-6L	
515	BP5HS	
516	BP5HS	
517	BP-4H	
535	B5HS	
536	B-4H	
915	ZGR5C	
925	ZGR5C	
935	BPR5ES	
945	BPR5ES	
996	B-6L	
2272	AB-7	
2413	R7376-10	
2414	B10EG	
2415	B9EG	
2416	B8EG	
2585	BPR5ES	
2592	B10ES	
2593	B9ES	Q202
2594	B9ES	Q202
2611	B10ES	
2612	B9ES	Q202
2613	B9ES	Q202
2614	B8ES	Q201
2615	B7ES	
2616	B6ES	
2634	B9HS-10	
2635	B8HS	Q205
2636	B7HS	Q204
2652	B9HS-10	
2653	B7HS	Q204
2654	B7HS	Q204
2655	B6HS	Q203



<b>AUTOLITE</b>	<b>→ NGK</b>	<b>Quick</b>
2656	B5HS	
2675	B-6L	
2676	B-6L	
2695	AB-8	
2696	AB-7	
2697	AB-6	
2715	D8HA	
2716	D6HA	
2735	D6HA	
2755	D8EA	Q216
2772	AB-8	
2775	AB-6	
2794	C8HSA	
2795	C7HSA	
2796	C6HSA	
2892	BUHX	
2932	BUE	
2974	BPM7A	
3012	B8S	
3013	B7S	
3014	B6S	Q302
3017	B-4	
3035	AB-6	
3116	AB-6	
3203	BPR6ES	
3204	BPR6ES	
3205	BPR5ES	
3206	BPR5ES	
3207	BPR5ES	
3325	B-6L	
3364	BPR6HS	Q214
3382	BR6S	
3383	BR6S	
3384	BR6S	
3386	BR6S	
3388	BR6S	
3423	B8S	
3426	BR6S	
3462	BR7ES	
3463	BR6ES	
3464	BR6ES	
3465	BR5ES	
3466	BR5ES	
3485	BR5HS	
3486	BR5HS	
3507	B-6L	
3684	BR7HS	Q211
3686	BR6HS	Q209
3702	BR9ES	Q208
3703	BR9ES	Q208
3704	BR8ES	Q207
3705	BR6ES	
3706	BR6ES	

<b>AUTOLITE</b>	<b>→ NGK</b>	<b>Quick</b>
3885	ZGR5C	
3896	ZGR5C	
3924	BKR6ES	
3926	BKR5ES	
3954	D8EA	Q216
3964	DR8ES-L	Q218
4043	BPR6ES-11	
4052	B9ES	Q202
4053	B9ES	Q202
4054	B8ES	Q201
4055	B7ES	
4056	B6ES	
4062	BR9ES	Q208
4063	BR9ES	Q208
4092	B7HS	Q204
4093	B7HS	Q204
4113	BP6HS	
4114	BP6HS	
4123	BPR6HS	Q214
4132	D8EA	Q216
4143	DR8ES-L	Q218
4152	DP9EA-9	
4153	DP8EA-9	
4162	DPR7EA-9	Q220
4163	DR8ES-L	Q218
4164	D7EA	
4173	D8HA	
4193	C7HSA	
4203	CR7HS	
4251	BP8ES	
4253	BP6ES	
4263	BPR6ES	
4265	BPR5ES	
5224	BKR5E	
<b>BERU</b>	<b>→ NGK</b>	<b>Quick</b>
14F5DU	BCP7ES	
14F6DSR	BKR6ES	
14F6DU0R	BKR6ES	
14F7DU0R	BKR6ES	
14FGH6DTUR	BKUR6ET	
14FR6DU	BKR6ES	
14FR6LDUW	BKR6EKC	
14FR7DU	BKR6ES	
14FR8DU	BKR5ES	
14K6D	BP6EFS	
14K6DU	BP6EFS	
14K6DU0	BP6EFS	
14K7D	BP6EFS	
14K7DU	BP6EFS	
14K7DU0	BP6EFS	
14KR8MPX	PTR5A-13	
14KR8MUV	PTR5A-13	
14R5DU	BPR7ES	



<b>BERU</b>	<b>→ NGK</b>	<b>Quick</b>
14R6B	BPR6HS	Q214
14R6BU	BPR6HS	Q214
14R6D	BPR6ES	
14R6DU	BPR6ES	
14R6DUX	BPR6ES-11	
14R7B	BPR6HS	Q214
14R7BU	BPR6HS	Q214
14R7CU	BR6ES	
14R7D	BPR6ES	
14R7DU	BPR6ES	
14R7DUX	BPR6ES-11	
14R8DU	BPR5ES	
14R8DUX	BPR5ES-11	
14R9DU	BPR5ES	
14R9EU0	BR4-LM	
14R11F	BP-4	
14S5F	BPM7A	
14S7F	BPM6A	
14S8F	BPM6A	
14SR6F	BP6MR6A	
14XAU	B6HS	Q203
14Z2C1	BR9EIX	
14Z3A1	B9HS	
14Z3AU	B9HS	
14Z3C1	B9ES	Q202
14Z3CU	B9ES	Q202
14Z4AU	B8HS	Q205
14Z6A2	B6HS	Q203
14Z7AU	B7HS	Q204
95/14	B-4H	
95/14/3	B4ES	
95/14/5	B-4	
95/14/5A	BP-4	
95/14A	BP4HS	
95/18	AB-6	
125/14/3	B5ES	
125/14/3A	BP5ES	
125DU	D7EA	
142AS1	B9HCS	
143A1	B8HS	Q205
143AS1	BR8HIX	
143AU	B8HS	Q205
143CS1	BR8EIX	
143DP2	BR8EIX	
144A1	B8HS	Q205
144A2	B7HS	Q204
144AS1	BR8HIX	
144AU	B7HS	Q204
144B2	BP7HS	
144C1	B8ES	Q201
144C2	B7ES	
144CS1	BR8EIX	
145/1A	BP5HS	

<b>BERU</b>	<b>→ NGK</b>	<b>Quick</b>
145/14	B5HS	
145/14/3	B5ES	
145/14/3A	BP5ES	
145/14/5	B-4	
145/14/5AMX	BPM6A	
145/18	AB-6	
145A	B7HS	Q204
145AU	B7HS	Q204
145B	BP7HS	
145BU	BP7HS	
145C	B7ES	
145E	B7S	
146B	BP6HS	
146BU	BP6HS	
146C	B6ES	
146D	BP6ES	
146D1	BP6ES	
146DP0	BP6ES	
146DU	BP6ES	
147A	B6HS	Q203
147AU	B6HS	Q203
147B	BP6HS	
147BU	BP6HS	
147C	B6ES	
147CU	B6ES	
147D	BP6ES	
147DU	BP6ES	
147E	B6S	Q302
148A	B5HS	
148AU	B5HS	
148B	BP5HS	
148BU	BP5HS	
148C	B5ES	
148C1	B6ES	
148D	BP5ES	
148DU	BP5ES	
148E	B-4	
148LUR	ZGR5A	
149C	B5ES	
149D	BP5ES	
149DU	BP5ES	
160/14/3	B6ES	
175/14	B6HS	Q203
175/14/3	B6ES	
175/14/3A	BP6ES	
175/14/5	B6S	Q302
175/14/5AMX	BPM6A	
175/14A	BP6HS	
175/18	AB-6	
184A1	AB-7	
184A2	AB-7	
185A	AB-7	
185AS	AB-7	

<b>BERU</b>	<b>→ NGK</b>	<b>Quick</b>
185AU	AB-7	
187A	AB-6	
187AU	AB-7	
188A	AB-6	
190/14Z	B6HS	Q203
200/14/3	B6ES	
200/14/3A	BP6ES	
200/14/3K	BP6EFS	
200/14A	BP6HS	
215/14/3A	BP6ES	
225/14	B7HS	Q204
225/14/3	B7ES	
225/14/5	B7S	
225/14/5AMX	BPM7A	
225/14A	BP7HS	
225/18	AB-7	
225/18S	AB-7	
240/14	B7HS	Q204
240/14/3	B7ES	
240/14A	BP7HS	
240/14S	BR8HIX	
240/18	AB-7	
260/14	B8HS	Q205
260/14/3	B8ES	Q201
260/14S	BR8HIX	
260/18	AB-8	
265/14/3P	BR8EIX	
280/14	B8HS	Q205
280/14/3S	BR8EIX	
280/14/3Z	B9ES	Q202
280/14Z	B9HS	
310/14/3Z	BR9EIX	
310/14S	B9HCS	
1410A	B-4H	
1410B	BP4HS	
1410C	B4ES	
1410E	B-4	
1410F	BP-4	
1810A	AB-6	
1810AU	AB-6	
0001245700	D7EA	
0001325701	BP5ES	
0001330702	BP5ES	
0001330718	ZGR5A	
0001335702	BP6ES	
0001335707	B6ES	
0001335729	BKR6ES	
0001340103	BKUR6ET	
0001340702	BP6ES	
0001340723	BKR6ES	
0001340806	BKR6ES	
0001340903	BP6ES	
0001345720	BCP7ES	

<b>BERU</b>	<b>→ NGK</b>	<b>Quick</b>
0001355700	B9ES	Q202
0001400701	B6HS	Q203
0001430700	BP5HS	
0001430701	B5HS	
0001435700	BP6HS	
0001435705	B6HS	Q203
0001440700	BP6HS	
0001445700	BP7HS	
0001445702	B7HS	Q204
0001450702	B8HS	Q205
0001455702	B9HS	
0001529302	B-4	
0001635700	BP6EFS	
0001635709	BP6EFS	
0001640700	BP6EFS	
0001640704	BP6EFS	
0001640705	BP6EFS	
0001820700	AB-6	
0001835700	AB-7	
0001845700	AB-7	
0002325700	BPR5ES	
0002330701	BPR5ES	
0002330702	BPR5ES-11	
0002330703	BKR5ES	
0002335701	BPR6ES	
0002335704	BR6ES	
0002335706	BPR6ES-11	
0002335707	BKR6ES	
0002340504	BKR6EKC	
0002340701	BPR6ES	
0002340702	BKR6ES	
0002340703	BPR6ES-11	
0002345701	BPR7ES	
0002435701	BPR6HS	Q214
0002515400	BP-4	
0002630701	PTR5A-13	
0002640900	PTR5A-13	
0004525701	BR4-LM	
0004535402	BPM6A	
0004540401	BPMR6A	
0004545401	BPM7A	
D175/14	B6HS	Q203
D175/14/3	B6ES	
D200/14/3A	BP6ES	
D215/14/3	B7ES	
RS35	BPR6EIX	
Z1	BP5ES	
Z3	ZGR5A	
Z9	BPR5ES-11	
Z11	BP6ES	
Z13	BKR6ES	
Z15	BKR6ES	
Z17	BP6EFS	





# Industry

<b>BERU</b>	→ <b>NGK</b>	<b>Quick</b>
Z18	BP6EFS	
Z19	BPR6HS	Q214
Z20	BPR6ES	
Z21	BPR6ES-11	
Z22	BP6ES	
Z23	BKR6ES	
Z24	BKR6ES	
Z25	BP6EFS	
Z27	BPR6ES	
Z28	BPR6ES-11	
Z29	BCP7ES	
Z35	D7EA	
Z37	B9HS	
Z38	B9ES	Q202
Z39	B8HS	Q205
Z40	B7HS	Q204
Z41	BP7HS	
Z47	BPR7ES	
Z48	BP6HS	
Z55	BP6EFS	
Z56	BP6EFS	
Z57	B6HS	Q203
Z58	B6ES	
Z59	BR6ES	
Z68	B5HS	
Z72	BKR5ES	
Z76	BP5ES	
Z82	BPR5ES	
Z84	BR4-LM	
Z85	B6HS	Q203
Z86	AB-7	
Z87	AB-7	
Z88	AB-6	
Z89	BKUR6ET	
Z97	PTR5A-13	
Z104	BP6ES	
Z105	BKR6ES	
Z106	BP6ES	
Z107	BP-4	
Z112	B-4	
Z118	BP5HS	
Z132	BPM6A	
Z177	PTR5A-13	
Z245	BKR6EKC	
Z265	BPM7A	
<b>BOSCH</b>	→ <b>NGK</b>	<b>Quick</b>
+1	BPR6ES	
+3	BPR5ES	
+6	BKR5ES	
+7	BKR6EKC	
+8	BKR6ES	
+10	BPR6HS	Q214
+12	BPR6ES	

<b>BOSCH</b>	→ <b>NGK</b>	<b>Quick</b>
+13	BKR6ES	
+15	BPR7ES	
+16	BPR5ES	
+17	PTR5A-13	
+20	BPR5HS	
+21	BPR6ES-11	
+22	BPR5ES-11	
+27	BPR5ES-11	
+34	ZGR5A	
8771207	R2349-10	
0241050002	C6HSA	
0241056501	C7E	
0241145003	DP7EA-9	
0241145500	DP7EA-9	
0241145504	DP7EA-9	
0241145507	D8EA	Q216
0241150502	D8EA	Q216
0241209003	B-4H	
0241219536	BP-4	
0241219540	B-4H	
0241219541	B4ES	
0241219543	B-4H	
0241219554	B-4	
0241225013	BP5ES	
0241225545	BP5ES	
0241225547	B4ES	
0241225548	B-4	
0241225549	B5HS	
0241225550	BP5ES	
0241225556	BP5ES	
0241225585	ZGR5A	
0241225593	BP5ES	
0241229059	ZGR5A	
0241229061	BP5ES	
0241229062	BP5ES	
0241229560	BM6A	
0241229561	BPM6A	
0241229574	BP5ES	
0241229578	BP5HS	
0241229579	B5ES	
0241229580	B6S	Q302
0241229588	BP5ES	
0241229604	B5HS	
0241229612	B5HS	
0241229641	BP5HS	
0241229684	BKR5ES	
0241229714	BP5HS	
0241229715	BP5ES	
0241229926	BP5ES	
0241235089	B6ES	
0241235098	B6ES	
0241235099	BPR6ES	
0241235563	BP6ES	



<b>BOSCH</b>	→ <b>NGK</b>	<b>Quick</b>
0241235564	BP6HS	
0241235566	BM6A	
0241235567	BPM6A	
0241235574	B6ES	
0241235585	BP6HS-10	
0241235594	B6S	Q302
0241235602	BP6ES	
0241235635	BP6EFS	
0241235636	BP6EFS	
0241235668	BP6EFS	
0241235681	BP6EFS	
0241235736	BKR6ES	
0241235753	BP6EFS	
0241235754	BP6HS	
0241235755	BP6ES	
0241240524	BP6EFS	
0241240530	BP6ES	
0241240532	BP6HS	
0241240539	BP6ES	
0241240563	BP6EFS	
0241240578	BP6EFS	
0241240585	BKR6EIX	
0241240587	BKR6ES	
0241240600	BM6A	
0241240601	BPM6A	
0241240603	B6HS	Q203
0241240611	BP6ES	
0241243501	BPR6EIX	
0241245553	BP7HS	
0241245555	BPM7A	
0241245574	BR7HIX	
0241245575	BR7EIX	
0241245580	B7HS	Q204
0241245581	B7ES	
0241245592	B7S	
0241245602	B7HS	Q204
0241245603	B7ES	
0241245619	BP7HS	
0241245642	BCP7ES	
0241245646	BP7HS-10	
0241245655	BCP7ES	
0241245656	BP7HS	
0241248531	B8HS	Q205
0241248534	B8ES	Q201
0241248538	B8ES	Q201
0241248540	B8HS	Q205
0241252521	BR8HIX	
0241252522	BR8EIX	
0241256512	B8HS	Q205
0241256513	B9ES	Q202
0241256514	BR8HIX	
0241256515	BR9EIX	
0241256519	B8HS	Q205

<b>BOSCH</b>	→ <b>NGK</b>	<b>Quick</b>
0241256522	B9ES	Q202
0241260507	B9HS	
0241260508	B10ES	
0241262505	BR9HIX	
0241262506	BR10EIX	
0241268505	BR9HIX	
0241268506	BR10EIX	
0241274504	BR10HIX	
0241274505	BR10EIX	
0241280503	BR10EIX	
0241319512	AB-6	
0241319513	AB-6	
0241329525	AB-6	
0241329526	AB-6	
0241335524	AB-7	
0241335526	AB-7	
0241345512	AB-7	
0241350505	AB-7	
0242040500	CR6HS	Q223
0242040502	MR7F	
0242045004	CPR7EA-9	
0242050006	CPR8EA-9	
0242050500	CR6HS	Q223
0242055500	CR7HS	
0242055501	CR7HSA	
0242055502	CR7E	Q225
0242055505	CR7HSA	
0242060500	CR8HS	
0242060501	CR8E	Q226
0242129503	LZKAR7A	
0242129508	LZKAR7A	
0242135500	DPR7EA-9	Q220
0242140500	DR7EA	
0242140504	DCPR8EKC	
0242145500	DPR7EA-9	Q220
0242145501	DPR7EA-9	Q220
0242145503	DCPR8EKC	
0242145504	KR9CI	
0242145516	DPR7EA-9	Q220
0242150500	DR8HS	
0242150501	DR8ES	Q217
0242150505	DPR8EA-9	Q221
0242160501	DR8ES	Q217
0242215502	BR4-LM	
0242219512	BP-4	
0242219513	BP-4	
0242219520	BP-4	
0242225522	BR6S	
0242225523	BR5ES	
0242225524	BPR5ES	
0242225528	ZGR5C	
0242225536	BR6S	
0242225539	ZGR5A	







# Industry

<b>BOSCH</b>	→ <b>NGK</b>	<b>Quick</b>
0242225548	BPR5ES-11	
0242225550	BPR5ES	
0242225553	BPR5ES	
0242225554	BPR5ES-11	
0242225582	BKR5ES	
0242225599	BPR5ES	
0242225612	BMR4A	
0242225624	BPR5ES-11	
0242225859	BPR5ES	
0242225861	BPR5ES	
0242229524	BR6S	
0242229531	BPR5ES	
0242229533	BR5ES	
0242229534	BR5HS	
0242229538	BPR5ES	
0242229555	BPR5ES	
0242229556	BR5ES	
0242229557	BPR5ES-11	
0242229566	BPR5ES-11	
0242229568	BKR5ES	
0242229570	BPR5ES	
0242229587	BKR5ES	
0242229589	BPR5HS	
0242229594	BKR5ES	
0242229598	BKR5EIX	
0242229607	BPR5ES	
0242229610	BPR5HS	
0242229656	BPR5ES	
0242229657	BPR5HS	
0242229659	BKR5ES	
0242229673	BKR5ES	
0242229687	BPR5ES-11	
0242229779	ZGR5A	
0242229880	BPR5ES	
0242229881	BPR5HS	
0242229883	BKR5ES	
0242229885	BPR5ES-11	
0242229888	BKR5ES	
0242229982	BPR5ES	
0242235511	BPR6ES	
0242235522	BPR6HS	Q214
0242235525	BPR6EIX	
0242235529	BPR6ES	
0242235530	BPR6ES-11	
0242235532	BR6ES	
0242235533	BR6HS	Q209
0242235535	BPR6HS	Q214
0242235537	BPR6ES	
0242235541	BPR6EIX	
0242235546	BR6ES	
0242235551	BKR6ES	
0242235554	BR6S	
0242235556	BKR6ES	

<b>BOSCH</b>	→ <b>NGK</b>	<b>Quick</b>
0242235579	BKR6ES	
0242235587	BKR6ES	
0242235588	BKR6ES	
0242235597	BKR6ES	
0242235616	BKR6ES	
0242235624	BKR6ES	
0242235630	BPR6ES	
0242235651	BPMP6A	
0242235662	PTR5A-13	
0242235663	BPR6ES	
0242235665	BPR6HS	Q214
0242235666	BKR6ES	
0242235668	BKR6EKC	
0242235699	BKR6EIX	
0242235707	BPR6ES-11	
0242235767	PTR5A-13	
0242235909	BPR6ES	
0242235911	BPR6HS	Q214
0242235912	BKR6ES	
0242235914	BKR6EKC	
0242235915	BPR6ES-11	
0242235916	PTR5A-13	
0242235925	BKR6ES	
0242235930	BPR6ES	
0242240511	BPR6ES	
0242240516	BPR6EIX	
0242240521	BPR6ES	
0242240526	BKR6ES	
0242240530	BKR6ES	
0242240531	BPR6ES-11	
0242240532	BPR6ES-11	
0242240561	BPR6HS	Q214
0242240564	BKR7EKC	
0242240565	BKR7EKC	
0242240572	BKUR6ET	
0242240579	BPR6ES	
0242240582	BMR6A	
0242240592	BPR6ES	
0242240593	BKR6ES	
0242240605	BKR6ES	
0242240849	BPR6ES	
0242240850	BKR6ES	
0242240851	BKR6ES	
0242245018	BKR7EKC	
0242245517	BR7HS	Q211
0242245519	BPR7ES	
0242245521	BR7ES	
0242245537	BPR7ES	
0242245552	BPR7ES	
0242245557	BR7ES	
0242245812	BPR7ES	
0242250503	BR8ES	Q207
0242250506	BR8HS	Q212



<b>BOSCH</b>	→ <b>NGK</b>	<b>Quick</b>
0242250517	BR8EIX	
0242255502	BR9ES	Q208
0242255504	BR9EIX	
0242260001	BR10ES	
F000KE0P34	BPR6ES	
F5DC	BCP7ES	
F6DCOR	BKR6ES	
F6DSR	BKR6EIX	
F7DCOR	BKR6ES	
F7DER	BKR6ES	
F8DC0R	BKR5ES	
FR5LDC	BKR7EKC	
FR6DC	BKR6ES	
FR6DC+	BKR6ES	
FR6DC2	BKR6ES	
FR6DDC	BKR7EKC	
FR6KTC	BKUR6ET	
FR7DC	BKR6ES	
FR7DC+	BKR6ES	
FR7DC0	BKR6ES	
FR7DC2	BKR6ES	
FR7DC4	BKR6ES	
FR7DPP10	BKR6EIX	
FR7LC2	BKR6ES	
FR7LDC+	BKR6EKC	
FR8DC	BKR5ES	
FR8DC+	BKR5ES	
FR8DC0	BKR5ES	
FR8DE	BKR5ES	
FR8DS	BKR5EIX	
FR9DC	BKR5ES	
H6DC	BP6EFS	
H6DC0	BP6EFS	
H7DC	BP6EFS	
H7DC0	BP6EFS	
HR7MPP+	PTR5A-13	
HR7MPP302	PTR5A-13	
HR7MPP302X	PTR5A-13	
M4AC	AB-7	
M5AC	AB-7	
M7AC	AB-7	
M8AC	AB-6	
M8AC0	AB-6	
M10AC	AB-6	
M10AC0	AB-6	
U3CC	C7E	
U4AC	C6HSA	
UR2AS	CR8HS	
UR2CC	CR8E	Q226
UR3AC	CR7HSA	
UR3AS	CR7HS	
UR3CC	CR7E	Q225
UR4AS	CR6HS	Q223

<b>BOSCH</b>	→ <b>NGK</b>	<b>Quick</b>
UR4KC	CPR8EA-9	
UR5DC	CPR7EA-9	
UR6AC	CR6HS	Q223
UR6DE	MR7F	
VR8SE	LZKAR7A	
VR8SEW	LZKAR7A	
W2A	B9HS	
W2AC	B9HS	
W2AS	BR9HIX	
W2C	B10ES	
W2C0	B10ES	
W2CC	B10ES	
W2CS	BR10EIX	
W3A	B8HS	Q205
W3A0	B8HS	Q205
W3AC	B8HS	Q205
W3AP	B8HS	Q205
W3AS	BR8HIX	
W3C	B9ES	Q202
W3C0	B9ES	Q202
W3CC	B9ES	Q202
W3CP	B9ES	Q202
W3CS	BR9EIX	
W3D	BP8ES	
W3DP2	BP8ES	
W4A	B8HS	Q205
W4A1	B8HS	Q205
W4A2	B8HS	Q205
W4A5	B8HS	Q205
W4AC	B8HS	Q205
W4AP	B8HS	Q205
W4AS	BR8HIX	
W4C	B8ES	Q201
W4C1	B8ES	Q201
W4C2	B7ES	
W4C3	B7HS	Q204
W4CC	B8ES	Q201
W4CP	BR8EIX	
W4CPX	B8ES	Q201
W4CS	BR8EIX	
W4E2	B7S	
W5A	B7HS	Q204
W5AC	B7HS	Q204
W5AP	B7HS	Q204
W5AS	BR7HIX	
W5B	BP7HS	
W5BC	BP7HS	
W5BP	BP7HS	
W5C	B7ES	
W5CC	B7ES	
W5CP	B7ES	
W5CS	BR7EIX	
W5E	B7S	





# Industry

<b>BOSCH</b>	→ <b>NGK</b>	<b>Quick</b>
W5EC	B7S	
W5EP	B7S	
W6AC	B6HS	Q203
W6B	BP6HS	
W6BC	BP6HS	
W6BP	BP6HS	
W06CS	BR10EIX	
W6D	BP6ES	
W6D1	BP6ES	
W6DC	BP6ES	
W6DP	BPR6EIX	
W7A	B6HS	Q203
W7A0	B6HS	Q203
W7A00	B6HS	Q203
W7AP	B6HS	Q203
W07AS	BR10HIX	
W7B	BP6HS	
W7BC	BP6HS	
W7BP	BP6HS	
W7C	B6ES	
W7CC	B6ES	
W7CC0	B6ES	
W7CP	B6ES	
W07CS	BR10EIX	
W7D0	BP6ES	
W7DC	BP6ES	
W7DCR	BPR6ES	
W7DP	BP6ES	
W7E	B6S	Q302
W7EC	B6S	Q302
W7EP	B6S	Q302
W8A	B5HS	
W8A0	B5HS	
W8AC	B5HS	
W8AP	B5HS	
W08AS	BR9HIX	
W8B	BP5HS	
W8BC	BP5HS	
W8BP	BP5HS	
W8C	B5ES	
W8C0	B5ES	
W8CC	B5ES	
W8CCX	B5ES	
W8CP	B5ES	
W08CS	BR10EIX	
W8D	BP5ES	
W8DC	BP5ES	
W8DC0	BP5ES	
W8DP	BP5ES	
W8E	B6S	Q302
W8EC	B6S	Q302
W8LCR	ZGR5A	
W8LPR	ZGR5A	

<b>BOSCH</b>	→ <b>NGK</b>	<b>Quick</b>
W9A	B-4H	
W9A0	B-4H	
W9AC	B5HS	
W9AC0	B5HS	
W9C	B4ES	
W9CC	B4ES	
W9D	BP5ES	
W9DC	BP5ES	
W9DC0	BP5ES	
W9DP	BP5ES	
W9E	B-4	
W9EC	B-4	
W9LC	ZGR5A	
W10A	B-4H	
W10AC	B-4H	
W10C	B4ES	
W10CC	B4ES	
W10E	B-4	
W10EC	B-4	
W10F	BP-4	
W10FC	BP-4	
W12A	B-4H	
W45T1	B-4H	
W45T3	B-4	
W95T1	B-4H	
W95T2	B4ES	
W95T3	B-4	
W95T6	BP-4	
W95TR6	BP-4	
W125T1	B-4H	
W125T2	B4ES	
W125T3	B-4	
W125T4	B-4H	
W125T30	BP5ES	
W125TR2	BR5ES	
W125TR3	BR6S	
W125TR30	BPR5ES	
W145M1	B5HS	
W145M2	B5ES	
W145T1	B5HS	
W145T2	B5ES	
W145T3	B6S	Q302
W145T11	B5HS	
W145T30	BP5ES	
W145T35	BP5HS	
W145TR2	BR5ES	
W145TR3	BR6S	
W145TR30	BPR5ES	
W160T2	B6ES	
W160T30	BP5ES	
W175T1	B6HS	Q203
W175T2	B6ES	
W175T3	B6S	Q302



<b>BOSCH</b>	→ <b>NGK</b>	<b>Quick</b>
W175T7	BP6HS	
W175T30	BP6ES	
W175T35	BP6HS	
W175TR1	BR6HS	Q209
W175TR2	BR6ES	
W175TR30	BPR6ES	
W175TR35	BPR6HS	Q214
W175Z1	B6HS	Q203
W190M11S	BR6HIX	
W200T27	BP6ES	
W200T30	BP6ES	
W200T35	BP6HS	
W200TR30	BPR6ES	
W215T30	BP6ES	
W220T30	BP6ES	
W225S1S	BR7HIX	
W225S2S	BR7EIX	
W225T1	B7HS	Q204
W225T2	B7ES	
W225T3	B7S	
W225T7	BPR7HS	Q215
W225T30	BP8ES	
W225T35	BP7HS	
W225TR1	BR7HS	Q211
W225TR2	BR7ES	
W225TR30	BPR7ES	
W235T28	BP8ES	
W240M1	B8HS	Q205
W240MZ1	B8HS	Q205
W240T1	B8HS	Q205
W240T2	B8ES	Q201
W240T3	B7S	
W240T28	B8ES	Q201
W250T1	B8HS	Q205
W250T2	B8ES	Q201
W250TR2	BR8ES	Q207
W260M1	B8HS	Q205
W260MZ1	B8HS	Q205
W260MZ2	B9ES	Q202
W260S1S	BR8HIX	
W260S2S	BR8EIX	
W260T1	B8HS	Q205
W260T2	B8ES	Q201
W260T20	B8ES	Q201
W260T30	BP8ES	
W275T1	B8HS	Q205
W275T2	B9ES	Q202
W280MZ1	B8HS	Q205
W280MZ2	B9ES	Q202
W280P21	BP8ES	
W280S1S	BR9HIX	
W280S2S	BR9EIX	
W280T30	BP8ES	

<b>BOSCH</b>	→ <b>NGK</b>	<b>Quick</b>
W300MZ2	B10ES	
W300T1	B9HS	
W300T2	B10ES	
W310S1S	BR9HIX	
W310S2S	BR10EIX	
W330T1	B9HS	
W340S1S	BR9HIX	
W340S2S	BR10EIX	
W370S1S	BR10HIX	
W370S2S	BR10EIX	
W400S1S	BR10HIX	
W400S2S	BR10EIX	
WA175T30	BP6EFS	
WA200T30	BP6EFS	
WEC	BUE	
WET2	BUE	
WG250T30	BP8ES	
WKA145T3	BM6A	
WKA145T6	BPM6A	
WKA145TR6	BPMR6A	
WKA175T3	BM6A	
WKA175T6	BPM6A	
WKA200TR6	BPMR6A	
WKA225T6	BPM7A	
WR2CC	BR10ES	
WR3CC	BR9ES	Q208
WR3CS	BR9EIX	
WR4AC	BR8HS	Q212
WR4CC	BR8ES	Q207
WR5A	BR7HS	Q211
WR5AC	BR7HS	Q211
WR5C	BR7ES	
WR5CC	BR7ES	
WR5DC	BPR7ES	
WR5DC+	BPR7ES	
WR6BC	BPR6HS	Q214
WR6DC	BPR6ES	
WR6DC+	BPR6ES	
WR6DCX	BPR6ES-11	
WR6DS	BPR6EIX	
WR7A	BR6HS	Q209
WR7AC	BR6HS	Q209
WR7BC	BPR6HS	Q214
WR7BC+	BPR6HS	Q214
WR7C	BR6ES	
WR7CC	BR6ES	
WR7DC	BPR6ES	
WR7DC+	BPR6ES	
WR7DC2	BPR6ES	
WR7DCX	BPR6ES-11	
WR7DCX+	BPR6ES-11	
WR7DS	BPR6EIX	
WR7EC	BR6S	



<b>BOSCH</b>	→ <b>NGK</b>	<b>Quick</b>
WR8AC	BR5HS	
WR8BC	BPR5HS	
WR8BC+	BPR5HS	
WR8C	BR5ES	
WR8CC	BR5ES	
WR8DC	BPR5ES	
WR8DC+	BPR5ES	
WR8DC0	BPR5ES	
WR8DC4	BPR5ES	
WR8DCX	BPR5ES-11	
WR8DCX+	BPR5ES-11	
WR8E	BR6S	
WR8EC	BR6S	
WR8EP	BR6S	
WR8HP	ZGR5C	
WR8LC+	ZGR5A	
WR9A0	BR5HS	
WR9C	BR5ES	
WR9CC	BR5ES	
WR9DC	BPR5ES	
WR9DC+	BPR5ES	
WR9DCX	BPR5ES-11	
WR9DCX+	BPR5ES-11	
WR9E	BR6S	
WR9E0	BR6S	
WR9EC	BR6S	
WR9EC0	BR6S	
WR9H	ZGR5C	
WR9HC	ZGR5C	
WR9HP	ZGR5C	
WR9LC	ZGR5A	
WR9LS	ZGR5A	
WR10E	BR6S	
WR10F	BP-4	
WR10FC	BP-4	
WR10FCY	BP-4	
WR10FY	BP-4	
WR11E0	BR4-LM	
WS5F	BPM7A	
WS6E	BM6A	
WS6F	BPM6A	
WS7E	BM6A	
WS7F	BPM6A	
WS8E	BM6A	
WS8F	BPM6A	
WSR6E	BMR6A	
WSR7F	BPMR6A	
WSR9E	BMR4A	
WSR9EC	BMR4A	
X3CP0	D9EA	
X4CS	D8EA	Q216
X5CC	D8EA	Q216
X5DC	DP7EA-9	

<b>BOSCH</b>	→ <b>NGK</b>	<b>Quick</b>
XR2AS	DR8HS	
XR2CS	DR8ES	Q217
XR4AS	DR8HS	
XR4CS	DR8ES	Q217
XR4DC	DPR8EA-9	Q221
XR5DC	DPR7EA-9	Q220
XR6CC	DR7EA	
XR7LDC	DPR7EA-9	Q220
YR5DDE	KR9CI	
YR5LDE	DCPR8EKC	
YR6LDE	DCPR8EKC	
<b>BRISK</b>	→ <b>NGK</b>	<b>Quick</b>
B12YC	DP9EA-9	
B14YC	DP8EA-9	
B15YC	DP7EA-9	
D12YC	BCP7ES	
D14Y	BCP7ES	
D14YC	BCP7ES	
DR12YC	BKR7E	
DR14YC	BKR7E	
DR14ZC	ZFR7F-11	
DR15YC	BKR6ES	
DR15Z	BKR6ES	
DR17YC	BKR5ES	
G15Y	BP6EFS	
G15YC	BP6EFS	
JR17	BR4-LM	
JR19	BR2-LM	Q310
K17C	B6S	Q302
K19	B-4	
L08JW	BR10EIX	
L08W	BR10EIX	
L10JW	BR8EIX	
L12W	BR9EIX	
L12Y	BP8ES	
L12YC	BP8ES	
L14	B8ES	Q201
L14C	B8ES	Q201
L15	B7ES	
L15C	B7ES	
L15W	BR7EIX	
L15Y	BP6ES	
L15YC	BP6ES	
L17	B6ES	
L17C	B6ES	
L17W	BR7EIX	
L17Y	BP5ES	
L17YC	BP5ES	
L19C	B5ES	
LR12YC	BPR8ES	Q213
LR12ZC	BPR8ES	Q213
LR14YC	BPR7ES	
LR14ZC	BPR7ES	

<b>BRISK</b>	→ <b>NGK</b>	<b>Quick</b>
LR15YC	BPR6ES	
LR15Z	BPR6ES	
LR15Z1	BPR6ES-11	
LR17YC	BPR5ES	
N08W	BR10HIX	
N12W	BR9HIX	
N12Y	BP8HS	
N12YC	BP8HS	
N14	B8HS	Q205
N14C	B8HS	Q205
N14Y	BP7HS	
N14YC	BP7HS	
N15	B7HS	Q204
N15C	B7HS	Q204
N15W	BR8HIX	
N15Y	BP6HS	
N15YC	BP6HS	
N17	B6HS	Q203
N17C	B6HS	Q203
N17W	BR7HIX	
N17Y	BP5HS	
N17YC	BP5HS	
N19	B5HS	
N19C	B5HS	
NR12YC	BPR8HS	
NR15YC	BPR6HS	Q214
P15Y	BPM7A	
P17	BM6A	
P17Y	BPM6A	
PR17Y	BPMR6A	
<b>CHAMPION</b>	→ <b>NGK</b>	<b>Quick</b>
A4HC	DP9EA-9	
A5YC	DP9EA-9	
A6	D8EA	Q216
A6G	DR8EIX	
A6GC	DR8EIX	
A6HC	DP8EA-9	
A6Y	DP8EA-9	
A6YC	DP8EA-9	
A8	D7EA	
A8Y	DP7EA-9	
A8YC	DP7EA-9	
A10	D7EA	
A59C	D9EA	
A59G	DR9EIX	
A59GC	DCPR9EIX	
A61	D9EA	
A61G	DR9EIX	
BN7Y	BP6EFS	
BN9Y	BP6EFS	
BN89Y	BP6EFS	
C6YCC	BCP7ES	
C7Y	BCP7ES	

<b>CHAMPION</b>	→ <b>NGK</b>	<b>Quick</b>
C7YC	BCP7ES	
C7YCC	BCP7ES	
C7YCX	BCP7ES	
C55	R7436-10	
C55R	R7436-10	
C57A	R7436-10	
C57JC4	R7436-10	
CJ6Y	BPM7A	
CJ7Y	BPM7A	
CJ8	BM6A	
CJ8Y	BPM6A	
CJ11	BM6A	
CJ86	BM6A	
D9	AB-6	
D9J	AB-6	
D10	AB-6	
D14	AB-6	
D16	AB-6	
D16J	AB-6	
D21	AB-6	
D23	AB-6	
EON1	BKR6ES	
EON2	BKR5ES	
EON5	BPR6ES	
EON6	BPR5ES	
FN507Y	BCP7ES	
G1	C9E	
G2	C8E	
G54V	R0045Q-10	
G55	C9E	
G56R	R0373A-10	
G58	C9E	
G59C	C7E	
G61	C8E	
G63	C8E	
G63R	CR8EIX	
H03	B6S	Q302
H8	B-6L	
H8C	B-6L	
H8J	B-6L	
H10	B-6L	
H10C	B-6L	
H10J	B-6L	
J4	B7S	
J4C	B7S	
J4J	B7S	
J5	B7S	
J6	B6S	Q302
J6C	B6S	Q302
J6J	B6S	Q302
J7	B6S	Q302
J7J	B6S	Q302
J8	B6S	Q302





# Industry

CHAMPION	→ NGK	Quick
J8C	B6S	Q302
J8J	B6S	Q302
J11	B-4	
J11C	B-4	
J11J	B-4	
J18Y	BP-4	
J18YC	BP-4	
K3G	AB-8	
K5G	AB-8	
K7	AB-8	
K8	AB-8	
K8G	AB-8	
K9	AB-7	
K13	AB-6	
K15J	AB-6	
L2G	BR9HIX	
L3G	BR8HIX	
L4G	BR7HIX	
L4J	B7HS	Q204
L5	B7HS	Q204
L6G	BR7HIX	
L7J	B6HS	Q203
L9G	BR6HIX	
L9J	B6HS	Q203
L10	B6HS	Q203
L12Y	BP5HS	
L14	B-4H	
L15Y	BP4HS	
L55G	BR10HIX	
L61Y	BP8HS	
L64Y	BP7HS	
L66Y	BP6HS	
L77J	B7HS	Q204
L77JC	B7HS	Q204
L78	B7HS	Q204
L78C	B7HS	Q204
L78YC	BP7HS-10	
L81	B7HS	Q204
L81Y	BP7HS	
L82	B6HS	Q203
L82C	B6HS	Q203
L82Y	BP6HS	
L82YC	BP6HS	
L82YCC	BP6HS	
L85	B6HS	Q203
L85Y	BP6HS	
L86	B6HS	Q203
L86C	B6HS	Q203
L86CC	B6HS	Q203
L87Y	BP6HS	
L87YC	BP6HS	
L87YCC	BP6HS	
L90	B5HS	

CHAMPION	→ NGK	Quick
L90C	B5HS	
L92Y	BP5HS	
L92YC	BP5HS	
L95Y	BP4HS	
L288	B5HS	
N1	B10ES	
N1C	B10ES	
N2	B9ES	Q202
N2C	B9ES	Q202
N2G	BR9EIX	
N3	B8ES	Q201
N3C	B8ES	Q201
N3G	BR8EIX	
N4	B7ES	
N4C	B7ES	
N4G	BR7EIX	
N5	B6ES	
N5C	B6ES	
N6	B6ES	
N6Y	BP8ES	
N6YC	BP8ES	
N6YCC	BP8ES	
N7	B7ES	
N8	B6ES	
N8GY	BPR6EIX	
N8L	ZGR5C	
N8Y	BP6ES	
N9Y	BP6ES	
N9YC	BP6ES	
N9YCC	BP6ES	
N9YCE	BP5ES	
N9YCX	BP6ES	
N10PY	BPR6EIX	
N10Y	BP6ES	
N10YC	BP5ES	
N11Y	BP5ES	
N11YC	BP5ES	
N11YCC	BP5ES	
N12Y	BP5ES	
N12YC	BP5ES	
N12YCC	BP5ES	
N13L	ZGR5C	
N13Y	BP5ES	
N14LY	ZGR5C	
N14Y	BP5ES	
N19V	BUE	
N21	B4ES	
N54R	B10EG	
N55G	BR10EIX	
N57	B10ES	
N57G	BR10EIX	
N57R	B10EG	
N59G	BR10EIX	





CHAMPION	→ NGK	Quick
N60	B9ES	Q202
N60R	B8EG	
N62R	B8EG	
N64Y	BP8ES	
N66Y	BP6ES	
N79Y	BP6ES	
N80	B10EG	
N80G	BR10EIX	
N82	B10EG	
N82G	BR10EIX	
N84	B9EG	
N84G	BR10EIX	
N86	B9EG	
N86G	BR9EIX	
N87	B8EG	
N87G	BR8EIX	
N89GY	BP6ES	
N89Y	BP5ES	
N281YC	BP6ES	
N288	B5ES	
OE001	BP6ES	
OE002	BKR6ES	
OE004	BPR6ES	
OE005	BKR6ES	
OE006	BPR6ES	
OE007	BP6HS	
OE008	BPR7ES	
OE009	BP6EFS	
OE013	BKR5ES	
OE015	BP5ES	
OE016	BKR6ES	
OE017	BCP7ES	
OE018	BPR7ES	
OE022	BP6ES	
OE024	BKR6E-11	
OE030	BKR6EKC	
OE031	PTR5A-13	
OE034	BKR6ES	
OE036	BP6EFS	
OE037	B6HS	Q203
OE038	BP6HS	
OE040	B9ES	Q202
OE042	BPR5ES	
OE045	BPR5ES	
OE048	BPR6ES-11	
OE049	BPR5ES-11	
OE051	BPR5ES	
OE052	DCPR9EIX	
OE055	BP5ES	
OE058	BCP7ES	
OE059	BP5HS	
OE064	BPR6HS	Q214
OE065	BP5ES	

CHAMPION	→ NGK	Quick
OE068	B8ES	Q201
OE070	BP6HS	
OE071	BPR6HS	Q214
OE074	B6ES	
OE075	BCP7ES	
OE078	BR8EIX	
OE079	B7ES	
OE084	BP8ES	
OE086	BR6HS	Q209
OE087	BP8ES	
OE088	BKR5E	
OE091	BR9ES	Q208
OE092	CR9E	Q227
OE096	B6HS	Q203
OE098	BR7ES	
OE103	DCPR9EIX	
OE104	BP6HS	
OE106	BP5ES	
OE108	BR8ES	Q207
OE111	BPR6ES	
OE112	DR8EIX	
OE116	BPR8ES	Q213
OE119	BKR6ES	
OE122	PMR7A	
OE125	BR9EIX	
OE127	BKR5E	
OE132	DP8EA-9	
OE141	BKR6EIX	
OE152	BKR5E-11	
OE156	ZGR5C	
OE162	BR6ES	
OE166	C7E	
OE172	B9EG	
OE174	PTR5A-13	
OE199	DCPR8E	
ON3	BR8ES	Q207
ON11Y	BP5ES	
ON12Y	BP5ES	
P7	D8HA	
P7G	DR8HS	
P7Y	D8HA	
P8Y	D6HA	
P10Y	D6HA	
PA5HC	D7EA	
PA7HC	D7EA	
PG2PHP	PMR8A	
PG4PHP	PMR7A	
PG7C	C7E	
PL7YC4	BP6HS-10	
PL9YC	BP6HS	
PN5C	B8ES	Q201
PRG6HCC	CPR8EA-9	
PRL5SC	BR6HSA	Q210





<b>CHAMPION</b>	<b>→ NGK</b>	<b>Quick</b>
PRZ9HC	CR7HSA	
PZ7HC	C7HSA	
PZ9HC	C6HSA	
Q504V	R2349-10	
QC12YC	BKR6ES	
QJ17LM	BR4-LM	
QJ19LM	BR2-LM	Q310
QL7J5	BR6HS	Q209
QL77CC	BR8HS	Q212
QL78C	BR7HS	Q211
QL78YC	BPR7HS	Q215
QL82C	BR6HS	Q209
QL82YC	BPR6HS	Q214
QL86	BR6HS	Q209
QL86C	BR6HS	Q209
QL87YC	BPR6HS	Q214
QN2	BR9ES	Q208
QN2C	BR9ES	Q208
QN2G	BR9EIX	
QN3	BR8ES	Q207
QN3C	BR8ES	Q207
QN84	BR9EG	
QN86	BR8EG	
R6	D8EA	Q216
R6G	DR8EIX	
R6J	D8EA	Q216
R8	D7EA	
R10	D6EA	
RA2HC	DPR7EA-9	Q220
RA4HCC	DCPR8E	
RA4HCX	DCPR9EIX	
RA6	DR8ES-L	Q218
RA6Y	DPR7EA-9	Q220
RA6YC	DPR7EA-9	Q220
RA7YC	DCPR8E	
RA8GHC	DCPR6E	
RA8HC	DCPR7E	
RA8Y	DPR7EA-9	Q220
RA8YC	DPR7EA-9	Q220
RA59GC	DCPR9EIX	
RA59PP	DCPR9EIX	
RAX92C	DR9EA	Q219
RAX92DC	JR9C	
RAX92YC	DPR7EA-9	Q220
RAX94C	DR8EA	
RAX94YC	DPR7EA-9	Q220
RAX96C	DR7EA	
RAX96YC	DPR7EA-9	Q220
RC7GYG	BKR6EIX	
RC7YC3	BKR7E	
RC8BYC	BKR6EKC	
RC8YC	BKR5E	
RC8YC4	BKR5E-11	

<b>CHAMPION</b>	<b>→ NGK</b>	<b>Quick</b>
RC8YCC	BKR6ES	
RC8YCL	BKR6ES	
RC9YC	BKR6ES	
RC9YC5	BKR6E-11	
RC9YCC	BKR6ES	
RC9YCC4	BKR6E-11	
RC9YCN4	BKR6E-11	
RC10PYC	BKR6EIX	
RC10YC	BKR5E	
RC10YCC	BKR6ES	
RC12YC	BKR5ES	
RC14YC	BKR5ES	
RC14YC4	BKR5E-11	
RC87YC	BKR6ES	
RCJ8	BMR6A	
RCJ8Y	BPMP6A	
RD9	AB-6	
RD14	AB-6	
RD16	AB-6	
RD16J	AB-6	
RE7PYC5	PTR5A-13	
RE7YCC	PTR5A-13	
RE10PMC5	PTR5A-13	
RES9YCC4	PTR5A-13	
RG2PHP	CR8EIX	
RG4HC	CR9E	Q227
RG4PHP	PMR7A	
RG6YC	CR8EB	
RG6YCA	CPR8E	
RG6YCH	CPR8E	
RG92C	CR9E	Q227
RG92DC	CR9EK	Q230
RG94C	CR8E	Q226
RGU92C	CR9EH-9	Q229
RGU94C	CR8EH-9	Q228
RH10C	B-6L	
RJ6	BR6S	
RJ6C	BR6S	
RJ6J	BR6S	
RJ7	BR6S	
RJ8	BR6S	
RJ8C	BR6S	
RJ8J	BR6S	
RJ11	BR6S	
RJ12	BR6S	
RJ17LM	BR4-LM	
RJ18Y	BP-4	
RJ18YC	BP-4	
RJ19LMC	BR2-LM	Q310
RJ20Y	BP-4	
RL4J	BR7HS	Q211
RL7J	BR6HS	Q209
RL12Y	BPR6HS	Q214

CHAMPION	→ NGK	Quick
RL19	BR5HS	
RL77J	BR7HS	Q211
RL78	BR7HS	Q211
RL78C	BR7HS	Q211
RL82	BR6HS	Q209
RL82C	BR6HS	Q209
RL82Y	BPR6HS	Q214
RL82YC	BPR6HS	Q214
RL82YCC	BPR6HS	Q214
RL85	BR6HS	Q209
RL86	BR6HS	Q209
RL86C	BR6HS	Q209
RL87Y	BPR6HS	Q214
RL87YC	BPR6HS	Q214
RL90	BR5HS	
RL95YC	BPR5HS	
RN1C	BR10ES	
RN2	BR9ES	Q208
RN2C	BR9ES	Q208
RN2G	BR9EIX	
RN3	BR8ES	Q207
RN3C	BR8ES	Q207
RN3G	BR8EIX	
RN4	BR7ES	
RN4C	BR7ES	
RN5	BR6ES	
RN5C	BR6ES	
RN6	BR6ES	
RN6Y	BPR8ES	Q213
RN6YC	BPR8ES	Q213
RN7Y	BPR7ES	
RN7YC	BPR7ES	
RN7YCC	BPR7ES	
RN8	BR5ES	
RN8L	ZGR5C	
RN9GY	BPR6EIX	
RN9Y	BPR6ES	
RN9YC	BPR6ES	
RN9YC4	BPR6ES-11	
RN9YCC	BPR6ES	
RN10GY	BPR6EIX	
RN10Y	BPR6ES	
RN10Y4	BPR6ES-11	
RN10YC	BPR6ES	
RN11Y	BPR5ES	
RN11YC	BPR5ES	
RN11YC4	BPR5ES-11	
RN11YCC	BPR5ES	
RN12Y	BPR5ES	
RN12YC	BPR5ES	
RN12YC4	BPR5ES-11	
RN12YCC	BPR5ES	
RN13L	ZGR5C	

CHAMPION	→ NGK	Quick
RN13LYC	ZGR5C	
RN14LY	ZGR5C	
RN14Y	BPR5ES	
RN16Y	BPR4ES	
RN57YC	BR10EG	
RP7	DR8HS	
RZ94C	CR8HSA	
RZ96C	CR7HSA	
S9YC	BP6EFS	
S9YCC	BP6EFS	
S279YC	BP6EFS	
S281YC	BP6EFS	
UD16	AB-6	
UJ2J	B8S	
UJ4J	B7S	
UJ6	B6S	Q302
UJ8	B6S	Q302
UJ81C	B7S	
UJ81J	B7S	
UK10	AB-6	
UL4J	B7HS	Q204
UL18V	BUHX	
UL81C	B7HS	Q204
UL81J	B7HS	Q204
UL82Y	BP7HS	
UN19V	BUE	
UN79Y	BP6ES	
XC92YC	BKR5E	
Z6	C8HSA	
Z8	C7HSA	
Z9Y	C7HSA	
Z10	C6HSA	
Z12	C6HSA	
DENSO	→ NGK	Quick
D2	BPR6ES	
D3	BPR6HS	Q214
D4	BP6ES	
D5	BP6EFS	
D6	BPR5ES	
D8	BP5ES	
D12	BKR6E	
D13	BPR6ES-11	
D14	BKR6E-11	
D15	ZGR5A	
D18	BP6HS	
D19	BPR7ES	
D21	BKR5E-11	
D22	BKR6E	
D54	B5ES	
D55	B6ES	
D56	B7ES	
D57	B5HS	
D58	B6HS	Q203





# Industry

DENSO	→ NGK	Quick
D71	BP5HS	
D74	BP7HS	
D77	BKR5E	
D100	BPR5ES-11	
D103	BKR5EIX	
D105	BKUR6ET	
D112	BKR6EKC	
D116	BKR7E-11	
D136	BR7ES	
D140	BPR4ES	
D148	BKR7E	
D156	BKR8E-11	
D167	LZKAR7A	
I16	BR8EIX	
I17	BR9EIX	
I19	BR10EIX	
I36	FR9BI-11	
I62	CR8EIX	
I63	B8HCS	
I68	CR8EHIX-9	
I69	CR9EHIX-9	
I72	DR8EIX	
I73	DR9EIX	
I76	DPR8EIX-9	
I77	DPR9EIX-9	
I79	BR7HIX	
I80	BR8HIX	
I81	BR9HIX	
I88	IMR9A-9H	
I90	CR9EIA-9	
I91	BR8ECMIX	
I92	BR9ECMIX	
I93	BR10ECMIX	
I101	ER9EHIX	
IAE0132	R7282-105	
IK27C11	FR9BI-11	
IQ0131	R7436-10	
IQ0231	R7436-10	
IU24	CR8EIX	
IU27	B8HCS	
IU27D	CR9EIA-9	
IU0131	R0373A-10	
IUH24	CR8EHIX-9	
IUH27	CR9EHIX-9	
IUH27D	IMR9A-9H	
IW24	BR8EIX	
IW27	BR9EIX	
IW31	BR10EIX	
IW0127	R7376-9	
IW0131	R7376-10	
IW0627	R7376-9	
IW0631	R7376-10	
IWF22	BR7HIX	

DENSO	→ NGK	Quick
IWF24	BR8HIX	
IWF27	BR9HIX	
IWM24	BR8ECMIX	
IWM27	BR9ECMIX	
IWM31	BR10ECMIX	
IWM0132	R7282-105	
IX24	DR8EIX	
IX24B	DPR8EIX-9	
IX27	DR9EIX	
IX27B	DPR9EIX-9	
IXU0127	R2525-9	
IY27	ER9EHIX	
J16CRU	ZGR5A	
K14PU11	BKR5E-11	
K16PRP11	BKR5EIX	
K16PRU	BKR5E	
K16PRU11	BKR5E-11	
K16PRUR	BKR5E	
K20PBR	BKUR6ET	
K20PRU	BKR6E	
K20PRU11	BKR6E-11	
K20PRUR	BKR6E	
K20RZ	BKR6EIX	
K20TNR	BKR6EKC	
K22PRU	BKR7E	
K22PRU11	BKR7E-11	
K22PRUR	BKR7E	
K22PRZU	BKR7EIX	
K22TNR	BKR7EKC	
K24PRU11	BKR8E-11	
KJ22CR11	ZFR7F-11	
KJ22CRL11	ZFR7F-11	
L14U	AB-6	
M17	AB-6	
M22	AB-7	
M24S	AB-8	
MW17	AB-6	
MW22	AB-7	
P16	PTR5A-13	
P52	PZFR6F	
PKJ20CR8	PZFR6F	
PT16VR13	PTR5A-13	
Q20PRU	BKR6E	
Q20PU11	BKR6E-11	
Q20U11	BKR6E-11	
Q22PU	BCP7ES	
Q22PU11	BKR7E-11	
QJ22CR11	ZFR7F-11	
R31	R2525-9	
R47	R7282-105	
RU0131	R0045Q-10	
SF10	BUHX	
T20EPU	BP6EFS	



DENSO	→ NGK	Quick
T20EXU	BP6EFS	
TR20	B6HS	Q203
TR22	B7HS	Q204
TR24	B8HS	Q205
U20EPR9	CPR6EA-9	
U20ESRN	CR6E	
U20FS	C6HSA	
U20FSL	C6HSA	
U20FSRL	CR6HS	Q223
U20FSRU	CR6HSA	
U20FSU	C6HSA	
U21FB	C6HSA	
U22EPRU	CPR7EA-9	
U22ESN	C7E	
U22ESRN	CR7E	Q225
U22ETR	CR7EK	
U22FER9	CR7EH-9	
U22FS	C7HSA	
U22FSL	C7HSA	
U22FSRL	CR7HS	
U22FSRU	CR7HSA	
U22FSU	C7HSA	
U24ESN	C8E	
U24ESRN	CR8E	Q226
U24ESRNB	CR8EB	
U24ESRNZU	CR8EIX	
U24ETR	CR8EK	
U24FB	C8HSA	
U24FE9	C8EH-9	
U24FER9	CR8EH-9	Q228
U24FER9S	CR8EH-9S	
U24FERZU9	CR8EHIX-9	
U24FS	C8HSA	
U24FSL	C8HSA	
U24FSRC	LR8A	
U24FSRU	CR8HS	
U24FSU	C8HSA	
U27ESN	C9E	
U27ESRN	CR9E	Q227
U27ESRNB	CR9EB	
U27ETR	CR9EK	Q230
U27FER9	CR9EH-9	Q229
U27FERZU9	CR9EHIX-9	
U27FEZU9	CR9EHIX-9	
U31ESRN	CR10E	
U31ETR	CR10EK	
V14	IJR7A9	
V27	IMR9C-9H	
V31	IMR9B-9H	
V33	IZFR6F11	
V42	IMR9C-9HES	
VK16PRZ11	IFR5L11	
VK20PRZ11	IFR6L11	

DENSO	→ NGK	Quick
VK24PRZ11	IFR8H11	
VK27PRZ11	IFR9H11	
VKJ20RZM11	IZFR6F11	
VNH27Z	IMR9B-9H	
VUH27D	IMR9C-9H	
VUH27ES	IMR9C-9HES	
VUH27Z	IMR9A-9H	
VX22BC	IJR7A9	
VX22BZ	IJR7A9	
W9EPR	BPR2ES	
W9EXRU	BPR2ES	
W9LMRUS	BR2-LM	Q310
W9P	BP-4	
W9PRU	BP-4	
W9PU	BP-4	
W14	B-4	
W14E	B4ES	
W14EPR	BPR4ES	
W14EPRU	BPR4ES	
W14EXRU	BPR4EY	
W14F	B-4H	
W14FP	BP-4H	
W14FPL	BP4HS	
W14FPLUL	BP4HA	
W14FPRL	BPR4HS	
W14FPRUL	BPR4HS	
W14FPU	BP-4H	
W14FPUL	BP4HS	
W14FU	B-4H	
W14LMRUS	BR4-LM	
W14MRU	BMR4A	
W14PRU	BP-4	
W14PU	BP-4	
W14U	B-4	
W14U10	B-4	
W14US	B-4	
W16EP	BP5ES	
W16EPR	BPR5ES	
W16EPR11	BPR5ES-11	
W16EPRU	BPR5ES	
W16EPRU11	BPR5ES-11	
W16EPU	BP5ES	
W16ES	B5ES	
W16ESL11	BR5ES	
W16ESRL	BR5ES	
W16ESRU	BR5ES	
W16ESU	B5ES	
W16FP	BP5HS	
W16FPR	BPR5HS	
W16FPRU	BPR5HS	
W16FPU	BP5HS	
W16FS	B5HS	
W16FSR	BR5HS	



<b>DENSO</b>	<b>→ NGK</b>	<b>Quick</b>
W16FSU	B5HS	
W16LS	B-6L	
W17	B6S	Q302
W17ES	BR6ES	
W17FP	BP6HS	
W20EP	B6ES	
W20EPGU	BPR6EIX	
W20EPR	BPR6ES	
W20EPR11	BPR6ES-11	
W20EPRU	BPR6ES	
W20EPRU10	BPR6ES-11	
W20EPRU11	BPR6ES-11	
W20EPRZU	BPR6EIX	
W20EPU	BP6ES	
W20EPZU	BPR6EIX	
W20ES	B6ES	
W20ESL	BR6ES	
W20ESR	BR6ES	
W20ESRL	BR6ES	
W20ESU	B6ES	
W20EXRZU	BPR6EIX	
W20EXZU	BPR6EIX	
W20FP	BP6HS	
W20FPL	BP6HSA	
W20FPR	BPR6HS	Q214
W20FPRL	BPR6HSA	
W20FPRU	BPR6HS	Q214
W20FPRU10	BPR6HS-10	
W20FPRUL10	BPR6HS-10	
W20FPU	BP6HS	
W20FPU10	BP6HS-10	
W20FRL	BR6HSA	Q210
W20FS	B6HS	Q203
W20FSGU	BR6HIX	
W20FSR	BR6HS	Q209
W20FSRU	BR6HS	Q209
W20FSU	B6HS	Q203
W20FSZU	BR6HIX	
W20M	BM6A	
W20MPU	BPM6A	
W20MRU	BMR6A	
W20MU	BM6A	
W20MUS	BM6A	
W20S	B6S	Q302
W20SRU	BR6S	
W20SU	B6S	Q302
W22	B7S	
W22EPR	BPR7ES	
W22EPRU	BPR7ES	
W22ES	B7ES	
W22ESGU	BR7EIX	
W22ESL	BR7ES	
W22ESR	BR7ES	

<b>DENSO</b>	<b>→ NGK</b>	<b>Quick</b>
W22ESRL	BR7ES	
W22ESRU	BR7ES	
W22ESU	B7ES	
W22ESZU	BR7EIX	
W22FP	BP7HS	
W22FPR	BPR7HS	Q215
W22FPRU	BPR7HS	Q215
W22FPU	BP7HS	
W22FPU10	BP7HS-10	
W22FPUS	BP7HS	
W22FS	B7HS	Q204
W22FSGU	BR7HIX	
W22FSR	BR7HS	Q211
W22FSRU	BR7HS	Q211
W22FSU	B7HS	Q204
W22FSZU	BR7HIX	
W22MPU	BPM7A	
W22MPUS	BPM7A	
W22S	B7S	
W22SU	B7S	
W24	B8S	
W24EMRC	BR8ECM	
W24EP	BP8ES	
W24EP11	BP8ES	
W24EPR	BPR8ES	Q213
W24EPRU	BPR8ES	Q213
W24EPU	BP8ES	
W24ES	B8ES	Q201
W24ESGU	BR8EIX	
W24ESR	BR8ES	Q207
W24ESRV	BR8EG	
W24ESRZU	BR8EIX	
W24ESU	B8ES	Q201
W24ESU11	B8ES	Q201
W24ESV	B8EG	
W24ESZU	BR8EIX	
W24FP	BP8HS	
W24FPL	BPR8HSA	
W24FPR	BPR8HS	
W24FPRL	BPR8HSA	
W24FPRU10	BPR8HS-10	
W24FPU	BP8HS	
W24FRL	BR8HSA	
W24FS	B8HS	Q205
W24FSGU	BR8HIX	
W24FSR	BR8HS	Q212
W24FSRU10	BR8HS-10	
W24FSU	B8HS	Q205
W24FSZU	BR8HIX	
W24S	B8S	
W24SU	B8S	
W25EN	B8EG	
W25EPT	BR8EIX	

DENSO	→ NGK	Quick
W25FC	B8HCS	
W25FN	BR8HIX	
W27EMRC	BR9ECM	
W27EMRZU	BR9ECMIX	
W27EN	B9EG	
W27EPT	BR9EIX	
W27ES	B9ES	Q202
W27ESGU	BR9EIX	
W27ESR	BR9ES	Q208
W27ESRU	BR9ES	Q208
W27ESRV	BR9EG	
W27ESRZU	BR9EIX	
W27ESU	B9ES	Q202
W27ESV	B9EG	
W27ESZU	BR9EIX	
W27FC	B9HCS	
W27FN	BR9HIX	
W27FS	B9HS	
W27FSGU	BR9HIX	
W27FSR	BR9HS	
W27FSU	B9HS	
W27FSU10	B9HS-10	
W27FSZU	BR9HIX	
W29ESGU	BR10EIX	
W29ESRV	BR10EG	
W29ESV	B10EG	
W29ESZU	BR10EIX	
W31EMRZU	BR10ECMIX	
W31EN	B10EG	
W31EPT	R7376-10	
W31ES	B10ES	
W31ESGU	BR10EIX	
W31ESRU	BR10ES	
W31ESRZU	BR10EIX	
W31ESU	B10ES	
W31ESZU	BR10EIX	
W31FS	B10HS	
W31FSGU	BR10HIX	
W31FSZU	BR10HIX	
W34ESZU	BR10EIX	
X16EPRU9	DPR5EA-9	
X16EPU9	DPR5EA-9	
X20EPRU9	DPR6EA-9	
X20ESU	D6EA	
X20FSU	D6HA	
X22EPRU9	DPR7EA-9	Q220
X22EPU	DP7EA-9	
X22EPU9	DP7EA-9	
X22ESRU	DR7ES	
X22ESU	D7EA	
X24EPRU9	DPR7EA-9	Q220
X24EPRZU9	DPR8EIX-9	
X24EPU	DP8EA-9	

DENSO	→ NGK	Quick
X24EPU9	DP8EA-9	
X24EPZU9	DPR8EIX-9	
X24ESGU	DR8EIX	
X24ESRU	DR8ES-L	Q218
X24ESRZU	DR8EIX	
X24ESRZU9	DR8EIX	
X24ESU	D8EA	Q216
X24ESZU	DR8EIX	
X24ESZU9	DR8EIX	
X24FSRU	DR8HS	
X24FSU	D8HA	
X24GPRU	DPR8Z	
X27EPRU9	DPR7EA-9	Q220
X27EPRZU9	DPR9EIX-9	
X27EPU9	DP9EA-9	
X27EPZU9	DPR9EIX-9	
X27ESRU	DR8ES	Q217
X27ESRZU	DR9EIX	
X27ESRZU9	DR9EIX	
X27ESU	D9EA	
X27ESZU	DR9EIX	
X27ESZU9	DR9EIX	
X27ETR	JR9B	Q224
X27GPRU	DPR9Z	
X29ESZU	DR9EIX	
X31ESU	D10EA	
XE20HRU9	LZKAR7A	
XU20EPRU	DCPR6E	
XU22EPR	DCPR7E	
XU22EPRU	DCPR7E	
XU22PR9	DCPR7EA-9	
XU24EPRP	DCPR8EIX	
XU24EPRU	DCPR8E	
XU24EPRZU	DCPR8EIX	
XU24EPU	DCPR8E	
XU24EPZU	DCPR8EIX	
XU27EPRU	DCPR9E	
XU27EPRZU	DCPR9EIX	
Y27FER	ER9EH	
Y27FERC	ER9EH	
Z20ESU	D6EA	
ENKER	→ NGK	Quick
F45CP	BP4HS	
F50C	B5HS	
F55CP	BP5HS	
F65CP	BP6HS	
F75C	B6HS	Q203
F80C	B7HS	Q204
F85CP	BP7HS	
F100C	B8HS	Q205
FA70	B-6L	
FE30C	B4ES	
FE45CP	BP5ES	





# Industry

<b>ENKER</b>	→ <b>NGK</b>	<b>Quick</b>
FE50C	B5ES	
FE55CP	BP5ES	
FE65CP	BP6ES	
FE70C	B6ES	
FE75C	B7ES	
FE80C	B8ES	Q201
FE95CP	BP8ES	
FE100C	B9ES	Q202
FET75CP	BP6EFS	
FS30	B-4	
FS70	B6S	Q302
FS75C	B7S	
FS80	B8S	
FSC50C	BM6A	
FSC50P	BPM6A	
FSC70P	BPM6A	
FSC75CP	BPM7A	
M60	AB-6	
M75	AB-7	
M80	AB-8	
SFE55CP	BKR5ES	
SFE65CP	BKR6ES	
SFE65CPR	BPR5ES	
T70	C6HSA	
T90	C7HSA	
<b>EYQUEM</b>	→ <b>NGK</b>	<b>Quick</b>
50AM	B-6L	
50M	B5HS	
70M	B6HS	Q203
75LM	B6ES	
75M	B6HS	Q203
100M	B8HS	Q205
200	B-4H	
406	BP6HS	
450L	B5ES	
500AM	B-6L	
500C	B6S	Q302
500CM	B6S	Q302
500CT	BM6A	
500M	B5HS	
550LS	BP5ES	
550S	BP4HS	
580LS	BP5ES	
580S	BP4HS	
600L	B6ES	
600LS	BP6ES	
600S	BP5HS	
700	B6HS	Q203
700CM	B6S	Q302
700CTS	BPM6A	
705L	B6ES	
705S	BP6HS	
707LS	BP6ES	

<b>EYQUEM</b>	→ <b>NGK</b>	<b>Quick</b>
750	BP6HS	
750L	B6ES	
750LJS	BP6EFS	
750LS	BP6ES	
753LJS	BP6EFS	
755	B6HS	Q203
755CM	B6S	Q302
755L	B6ES	
755LJS	BP6EFS	
755LS	BP6ES	
755M	B6HS	Q203
755S	BP6HS	
775SX	BP6HS	
775X	B6HS	Q203
800L	B6ES	
800LJS	BP6EFS	
800LS	BP6ES	
802L	B6ES	
803LJS	BP6EFS	
805L	B6ES	
805LP	BR8EIX	
850	B7HS	Q204
1000	B8HS	Q205
1000CM	B7S	
1000L	B8ES	Q201
1000M	B8HS	Q205
1100	B9HS	
1100L	B8ES	Q201
1150L	B9ES	Q202
C32	B5HS	
C32LS	BP5ES	
C32S	BP5HS	
C42LJS3	BP6EFS	
C42S	BP6HS	
C52LS	BP5ES	
C62	B7HS	Q204
C62LJS	BP6EFS	
C62LS	BP6ES	
C62S	BP7HS	
C92LS	BP8ES	
D775	D6HA	
D800L	D7EA	
D900L	D8EA	Q216
D1000	D8HA	
D1000L	D9EA	
D1050L	D9EA	
FC72LS	BCP7ES	
FC82LS	BCPR7E	
FC82LS1	BCP7ES	
FC82LS2	BCP7ES	
K200M	AB-6	
K300M	AB-6	
K500M	AB-6	



<b>EYQUEM</b>	→ <b>NGK</b>	<b>Quick</b>
K600M	AB-6	
K750M	AB-7	
R850	BR7HS	Q211
R1000	BR8HS	Q212
R1000L	BR8ES	Q207
RC42S	BPR6HS	Q214
RC52LZE	ZGR5A	
RC62HJSDP	PTR5A-13	
RC62LS	BPR6ES	
RC62LS5	BPR6ES-11	
RC62S	BPR7HS	Q215
RC82LS	BPR7ES	
RFC42LS	BKR5ES	
RFC52LS	BKR5ES	
RFC58LS	BKR6ES	
RFC58LZ2	BKR6EKC	
RFC58LZ3EX	BKUR6ET	
T850	C7HSA	
<b>ISOLATOR</b>	→ <b>NGK</b>	<b>Quick</b>
6B	BP6HS	
7A	B6HS	Q203
7B	BP6HS	
7D	BP6ES	
A7D	BP6EFS	
FM14145/2	BP5ES	
FM14175/2	BP6ES	
FM14200/2	BP6ES	
M1495	B-4H	
M14145	B5HS	
M14175	B6HS	Q203
M14175/2	B6ES	
M14225	B7HS	Q204
M14240	B8HS	Q205
M14260	B9HS	
M18225	AB-7	
M18240	AB-7	
PM14225	BP7HS	
ZM14260	B8HS	Q205
<b>LODGE</b>	→ <b>NGK</b>	<b>Quick</b>
2H	B7HS	Q204
2H12	D8HA	
2HA	B6S	Q302
2HAN	B8S	
2HL	B7ES	
2HL10	C7HSA	
2HLE	B7ES	
2HLN	B7ES	
2HN	B7HS	Q204
2HNY	BP7HS	
2HV	AB-8	
2XL	BP6ES	
3HAN	B8S	
3HLN	B8ES	Q201

<b>LODGE</b>	→ <b>NGK</b>	<b>Quick</b>
3HN	B8HS	Q205
3HNY	BP8ES	
4HLNY	BP8ES	
5HLNY	BP8ES	
15HLNY	BP6ES	
25HL	BPR7ES	
25XL	BP6ES	
BAN	B-4	
BBANY	BP-4	
BBL	AB-6	
BBNY	BP-4H	
BL14	B4ES	
BLN	B4ES	
BLNY	BP5ES	
BN	B-4H	
BNY	BP-4H	
C14	B5HS	
CAN	B6S	Q302
CANB	BPM6A	
CANC	BM6A	
CC14	B6HS	Q203
CL10	C6HSA	
CL14	B5ES	
CLN	B6ES	
CLN14P	B5ES	
CLNH	B5ES	
CLNY	BP5ES	
CN	B5HS	
CNY	BP5HS	
CV	AB-6	
H	B6HS	Q203
H12	D6HA	
H14	B7HS	Q204
H18	AB-7	
HA	B7S	
HAM	B7S	
HAN	B7S	
HB12	D6HA	
HBAN	B6S	Q302
HBL12	D8EA	Q216
HBLN	B5ES	
HBN	B5HS	
HBSN	B-6L	
HBV	AB-6	
HF2HL	B8ES	Q201
HH14	B9HS	
HL	B6ES	
HL12	D9EA	
HL14	B6ES	
HLE	B6ES	
HLN	B6ES	
HLNP	B6ES	
HLNY	BP6ES	







# Industry

<b>LODGE</b>	→ <b>NGK</b>	<b>Quick</b>
HN	B6HS	Q203
HN14	B7HS	Q204
HNY	BP6HS	
HV	AB-7	
<b>MAGNETI M.</b>	→ <b>NGK</b>	<b>Quick</b>
7LCR	BKR6E	
7LPR	BKR6E	
8LDCR	PTR5A-13	
061830085304	BPR7ES	
061830086304	BKR6E	
061830176304	BP6HS	
061830210304	BP6ES	
061830211304	BPR6ES	
061830215304	BP6EFS	
061830254304	BKR6E	
061830257304	BPR6HS	Q214
061830258304	BP5HS	
061850023304	PTR5A-13	
062000611304	B6HS	Q203
062000654304	BP6HS	
062000739304	BP6ES	
062000740304	BPR6ES	
062000754304	BP6HS	
AW5C	BM6A	
CM3N	AB-6	
CM4N	AB-6	
CM5N	AB-6	
CM6N	AB-7	
CU7N	C7HSA	
CW2L	B4ES	
CW2N	B-4H	
CW3C	B-4	
CW3CJ	B-4	
CW3CP	BP-4	
CW3L	B4ES	
CW3N	B-4H	
CW4A	B5ES	
CW4C	B-4	
CW4CJ	B-4	
CW4CP	BP-4	
CW4L	B4ES	
CW4N	B-4H	
CW4NJ	B-4H	
CW5C	B-4	
CW5L	B5ES	
CW5LJ	B5ES	
CW5LP	BP5ES	
CW5LS	B5ES	
CW5LSZ	B5ES	
CW5N	B5HS	
CW5NJ	B5HS	
CW5NP	BP5HS	
CW5NR	BR5HS	

<b>MAGNETI M.</b>	→ <b>NGK</b>	<b>Quick</b>
CW5NS	B5HS	
CW5NSZ	B5HS	
CW6C	B6S	Q302
CW6CE	BM6A	
CW6CJ	B6S	Q302
CW6L	B5ES	
CW6LJ	B5ES	
CW6LP	BP5ES	
CW6LR	BR5ES	
CW6LS	B5ES	
CW6LSZ	B5ES	
CW6N	B6HS	Q203
CW6NE	BM6A	
CW6NJ	B6HS	Q203
CW6NP	BP6HS	
CW6NPR	BPR6HS	Q214
CW6NR	BR6HS	Q209
CW7C	B6S	Q302
CW7L	B6ES	
CW7LCR	BKR6E	
CW7LJ	B6ES	
CW7LP	BP6ES	
CW7LPH	BP6ES	
CW7LPR	BPR6ES	
CW7LR	BR6ES	
CW7N	B6HS	Q203
CW7NJ	B6HS	Q203
CW7NP	BP6HS	
CW7NPR	BPR6HS	Q214
CW7NR	BR6HS	Q209
CW8CJ	B7S	
CW8L	B7ES	
CW8LJ	B7ES	
CW8LPR	BPR7ES	
CW8N	B7HS	Q204
CW8NP	BP7HS	
CW8NR	BR7HS	Q211
CW9L	B8ES	Q201
CW9LJ	B8ES	Q201
CW9LP	BP8ES	
CW9N	B8HS	Q205
CW10L	B8EG	
CW11L	B9EG	
CW12L	B9EG	
CW13L	B10EG	
CW14L	B10EG	
CW25N	B-4H	
CW55N	B5HS	
CW67L	B6ES	
CW67LP	BP6ES	
CW67N	BP6HS	
CW67NJ	B6HS	Q203
CW67NR	BR6HS	Q209



<b>MAGNETI M. → NGK</b>		<b>Quick</b>
CW67P	BP5ES	
CW75LP	BP6ES	
CW78L	B6ES	
CW78LP	BP6ES	
CW78LPR	BPR6ES	
CW78LPS	BP6ES	
CW112L	B9EG	
CW225A	B6HS	Q203
CW250A	B7HS	Q204
CW260N	B7HS	Q204
CWC6NJ	B6HS	Q203
CWC7NJ	B6HS	Q203
CWC9NJ	B7HS	Q204
CWC12NJ	B8HS	Q205
CWC67NJ	B6HS	Q203
CWF11L	BR8EIX	
CWP5N	BR6HIX	
CWP6N	BR6HIX	
CWP7N	BR6HIX	
CWP8L	BR7EIX	
CWP8N	BR7HIX	
CWP9L	BR8EIX	
CWP9N	BR8HIX	
CWP10L	BR9EIX	
CWP10N	BR9HIX	
CWP11L	BR10EIX	
CX6N	D6HA	
CX8L	D8EA	Q216
CX8N	D8HA	
DW4CJR	BR6S	
F6NC	BP5HS	
F6NCR	BPR5HS	
F7LC	BP6ES	
F7LCR	BPR6ES	
F7NC	BP6HS	
F7NCR	BPR6HS	Q214
F8LCR	BPR7ES	
FC6N	B5HS	
FC7N	B6HS	Q203
FC9L	BP8ES	
T7LC	BP6EFS	
TW7LP	BP6EFS	
TW78LP	BP6EFS	
<b>MARCHAL → NGK</b>		<b>Quick</b>
2/32H	B8ES	Q201
4N	B7HS	Q204
5H	B7ES	
5N	BP6HS	
5NCYCLO	BP6HS	
6N	BP5HS	
7H	BP6ES	
8H	BP6ES	
9H	BP5ES	

<b>MARCHAL → NGK</b>		<b>Quick</b>
17C	AB-7	
19C	AB-7	
19E	AB-7	
19L	AB-7	
20C	AB-6	
20E	AB-6	
20L	AB-6	
21C	AB-6	
21E	AB-6	
21L	AB-6	
34/5HS	BP6ES	
34C	B7S	
34CM	B7S	
34HS	B7ES	
34HSM	B7ES	
34S	B7HS	Q204
35	B6HS	Q203
35/1	BP6HS	
35/1B	BP6HS	
35/1D	BP6HS	
35/36D	B6HS	Q203
35/36P	B6HS	Q203
35/36R	B6HS	Q203
35B	B6HS	Q203
35C	B6S	Q302
35CM	B6S	Q302
35HA	BP6ES	
35HS	B6ES	
35M	B6HS	Q203
35P	B6HS	Q203
36	B5HS	
36B	B5HS	
36C	B-4	
36CM	B-4	
36D	B5HS	
36HS	B5ES	
36M	B5HS	
36P	B5HS	
37S	B5HS	
67HP	BR8EIX	
70H	BP6ES	
76H	BP5ES	
84H	BP5ES	
88N	B5HS	
11720	B8HS	Q205
12086	B8HS	Q205
41306	AB-8	
C7H	BP6EFS	
C64H	BP6EFS	
C68H	BP6EFS	
F70H	BCP7ES	
F80H	BCP7ES	
GT34	BP7HS	





# Industry

<b>MARCHAL</b>	<b>→ NGK</b>	<b>Quick</b>
GT34/2H	BP6ES	
GT34/5	BP6HS	
GT34/5D	BP6HS	
GT34/5H	BP6ES	
GT34/5HA	BP6ES	
GT34/5HD	BP6ES	
GT34D	BP7HS	
GT34HD	BP6ES	
GT35	BP5HS	
GT35D	BP5HS	
GT35H	BP5ES	
GT35HD	BP5ES	
H32RG	B9EG	
H33RG	B8EG	
H34F	B8ES	Q201
HA32/2	B8ES	Q201
HA32RS	B9EG	
HF34	B7ES	
HF34F	B8ES	Q201
RR31HS	B10EG	
RR32HS	BR9EIX	
RR33HSS	BR8EIX	
SCGT34/5H	BP6EFS	
SCGT35H	BP6EFS	
V6NSOLEX	B5HS	
V36A	B5HS	

<b>MOTORCRAFT</b>	<b>→ NGK</b>	<b>Quick</b>
1Y00	BPR5ES	
1Y0A	BKR6E-11	
1Y0B	BKR7E-11	
1Y0F	DCPR7E	
1Y01	BPR6ES	
1Y03	BPR5ES-11	
1Y06	BKR5E	
1Y07	BKR6E	
1Y09	BKR5E-11	
A1	B8S	
A1CU	B8S	
A1X	B8S	
A2	B7S	
A2X	B7S	
A3	B6S	Q302
A3CU	B6S	Q302
A3NX	BM6A	
A3X	B6S	Q302
A4	B6S	Q302
A5	B6S	Q302
A5CU	B6S	Q302
A5X	B6S	Q302
A7	B-4	
A7N	BM6A	
A7NU	BM6A	
A7NX	BM6A	

<b>MOTORCRAFT</b>	<b>→ NGK</b>	<b>Quick</b>
A7U	B-4	
A7X	B-4	
A9	B-4	
A9X	B-4	
A21X	B8S	
A22NX	BPM7A	
A82	BP-4	
A901	B8S	
AE1C	B7HS	Q204
AE1X	B7HS	Q204
AE2	B7HS	Q204
AE2C	B7HS	Q204
AE2X	B7HS	Q204
AE3	B6HS	Q203
AE3C	B6HS	Q203
AE3X	B6HS	Q203
AE4	B5HS	
AE4X	B5HS	
AE6	B5HS	
AE7	B-4H	
AE8	B-4H	
AE22	BP6HS	
AE22C	BP6HS	
AE32	BP6HS	
AE32C	BP6HS	
AE42	BP5HS	
AE52	BP5HS	
AE62	BP5HS	
AE92	BP-4H	
AE901	B9HS	
AE901X	B9HS-10	
AER4	BR5HS	
AER4X	BR5HS	
AER32	BPR6HS	Q214
AG1	B8ES	Q201
AG1C	B8ES	Q201
AG1X	B8ES	Q201
AG2	B7ES	
AG2C	B7ES	
AG2CU	B7ES	
AG2X	B7ES	
AG3	B6ES	
AG3C	B6ES	
AG3X	B6ES	
AG4	B5ES	
AG5	B5ES	
AG5CU	B5ES	
AG7	B5ES	
AG9	B4ES	
AG9U	B4ES	
AG22	BP6ES	
AG22C	BP6ES	
AG22CU	BP6ES	



<b>MOTORCRAFT → NGK</b>		<b>Quick</b>
AG32A	BP6ES	
AG32C	BP6ES	
AG32CU	BP6ES	
AG42	BP5ES	
AG42CU	BP5ES	
AG44	ZGR5C	
AG52	BP5ES	
AG54	ZGR5C	
AG252	BP6ES	
AG252C	BP6ES	
AG403	R7376-10	
AG403C	R7376-10	
AG501	B10ES	
AG501X	BR10EIX	
AG603	BR9EIX	
AG603C	BR9EIX	
AG701	B9ES	Q202
AG701C	B9ES	Q202
AG701CU	B9ES	Q202
AG701X	BR9EIX	
AG901	B9ES	Q202
AG901C	B9ES	Q202
AG901CU	B9ES	Q202
AG901X	BR8EIX	
AG902	BP8ES	
AG903	B8EG	
AGF22C	BP6EFS	
AGF32CU	BP6EFS	
AGKO	BUE	
AGN42	BP5ES	
AGP12C	BCP7ES	
AGP701C	R7436-10	
AGPR22C	BKR6ES	
AGPR22CD	BKR6ES	
AGPR32C	BKR6ES	
AGPS22C	BKR6ES	
AGPS32C	BKR6ES	
AGR1X	BR8ES	Q207
AGR2C	BR7ES	
AGR3X	BR6ES	
AGR12C	BPR7ES	
AGR21	BR6ES	
AGR22	BPR6ES	
AGR22C	BPR6ES	
AGR22CU	BPR6ES	
AGR31	BR6ES	
AGR32	BPR6ES	
AGR32C	BPR6ES	
AGR32CU	BPR6ES	
AGR41	BR5ES	
AGR42	BPR5ES	
AGR42C	BPR5ES	
AGR42CU	BPR5ES	

<b>MOTORCRAFT → NGK</b>		<b>Quick</b>
AGR51	BR5ES	
AGR52	BPR5ES	
AGR82	BPR4ES	
AGR701X	BR9EIX	
AGR901X	BR8EIX	
AGS22C	BPR6ES	
AGS32C	BPR5ES	
AGS32C11	BPR5ES-11	
AGS42CC	BPR4ES	
AGSP52	BKR5ES	
AL5	B-6L	
AL5X	B-6L	
AL7	B-6L	
AL7U	B-6L	
AL7X	B-6L	
AR7N	BMR6A	
AR21X	BR6S	
AR31	BR6S	
AR41	BR6S	
AR51	BR6S	
AR82	BP-4	
AT1	B8S	
AT2	B7S	
AT3	B6S	Q302
AT4	B6S	Q302
AT4A	B6S	Q302
AT6	B6S	Q302
AT8	B-4	
ATL3	B-6L	
ATL4	B-6L	
AV1X	B8HS	Q205
AV2CU	B7HS	Q204
AV2X	B7HS	Q204
AV3CU	B6HS	Q203
AV4	B5HS	
AV6	B-4H	
AV6CU	B-4H	
AV22CU	BP6HS	
AV42	BP5HS	
AV52	BP5HS	
AV82	BP-4H	
AV701CU10	B9HS-10	
AV901CU	B9HS	
AV901X4	B9HS-10	
AVZKO	BUHX	
AYFS22C	PTR5A-13	
AYFS22FPM1	PTR5A-13	
AYFS22PP	PTR5A-13	
AYFS22PP1	PTR5A-13	
AYRF22P	PTR5A-13	
AYRF22PP	PTR5A-13	
AZ2	B7S	
AZ3	B6S	Q302





# Industry

<b>MOTORCRAFT → NGK</b>		<b>Quick</b>
AZ9	B-4	
AZ901	B8S	
AZFS22C	PTR5A-13	
AZFS22PP	PTR5A-13	
AZFS32FE	PTR5A-13	
B2	AB-8	
B2W	AB-8	
B3W	AB-7	
B3X	AB-7	
B4	AB-7	
B4X	AB-7	
B6	AB-6	
B6W	AB-6	
B8	AB-6	
B8X	AB-6	
B9	AB-6	
BR8	AB-6	
BT2	AB-8	
BT3	AB-7	
BT4	AB-7	
BT6	AB-6	
BT8	AB-6	
BT9	AB-6	
BT10	AB-6	
BZ8	AB-6	
HE2	D8HA	
HE3	D6HA	
HG2	D8EA	Q216
HG2CU	D8EA	Q216
HG22	D8EA	Q216
HGR2C	DR8ES-L	Q218
HV2	D8HA	
HV3	D6HA	
HV22	D6HA	
PE3	C6HSA	
PV2	C7HSA	
PV3	C6HSA	
<b>SPLITFIRE → NGK</b>		<b>Quick</b>
SF406B	BR9EIX	
SF413B	D9EA	
SF419D	C6HSA	
SF426C	BPR6ES	
TP006C	BPR6EIX	
TP406B	BR9EIX	
TP406C	BR8EIX	
TP416B	DPR9EIX-9	
TP416C	DPR8EIX-9	
TP430C	CR8EIX	
<b>SYM → NGK</b>		<b>Quick</b>
98056FSA000	LR7D	
98059AAC9900	LR7D	
<b>TACTI → NGK</b>		<b>Quick</b>
V91102011	DCPR7E	

<b>TACTI</b>	<b>→ NGK</b>	<b>Quick</b>
V91102015	BPR4EY	
V91102024	BPR7ES	
V91102030	DCPR8E	
V91102035	BKR7E-11	
V91102042	BKR5E-11	
V91102043	BKR6E-11	
V91102044	BPR5E	
V91102047	BKR6E	
V91102207	BPR6EIX	
V91102209	DCPR8EIX	
V91102210	BR8EIX	
V91102211	BR9EIX	
V91102212	BR9EIX	
V91103007	BCPR6E	
V91103013	BPR4EY	
V91103021	BPR5E	
V91103025	B5ES	
V91103033	BR5HS	
V91103034	B5HS	
V91103035	B-6L	
V91103043	BP6ES	
V91103047	BPR6ES	
V91103049	BPR6ES-11	
V91103051	B6ES	
V91103057	BR6ES	
V91103065	BPR6EIX	
V91103068	BP6HS	
V91103072	BR6HS	Q209
V91103073	B6HS	Q203
V91103075	B6S	Q302
V91103076	BR6S	
V91103088	BPR7ES	
V91103093	B7ES	
V91103095	BR7EIX	
V91103098	BR7ES	
V91103110	BR5ES	
V91103121	BKR6E-11	
V91103130	BKR5E-11	
V91103145	BKR6E	
V91103173	PZFR6F	
V91103177	DCPR8E	
V91103178	DCPR6E	
V91103179	DCPR7E	
V91103180	DCPR8E	
V91103182	BKR6E-11	
V91103185	BKR6E-11	
V91103191	BKR5E	
V91103192	BKR7E-11	
V91103234	DCPR8EIX	
V91103241	BPR6EIX	
V91103243	DCPR8EIX	
V91103268	BPR6HS-10	
V91103304	BKR6EKC	



TACTI	→ NGK	Quick
V91104002	C6HSA	
V91104004	CR6HSA	
V91104006	C7HSA	
V91104008	CR7HSA	
V91104012	B-4H	
V91104013	BP-4H	
V91104014	BP4HS	
V91104019	BP5HS	
V91104021	BP7HS	
V91104024	BR7HS	Q211
V91104025	B7HS	Q204
V91104027	B7S	
V91104028	BP8ES	
V91104030	B8ES	Q201
V91104032	BR8EIX	
V91104033	BR8ES	Q207
V91104034	B8EG	
V91104037	BR8HS	Q212
V91104038	B8HS	Q205
V91104045	BR9ES	Q208
V91104046	B9ES	Q202
V91104047	B9EG	
V91104048	BR9EIX	
V91104052	B9HS	
V91104054	BR9HS	
V91104057	BR10EIX	
V91104062	B10ES	
V91104063	BR10EIX	
V91104076	D6EA	
V91104078	D6HA	
V91104086	DPR7EA-9	Q220
V91104090	D7EA	
V91104091	DR7EA	
V91104096	DPR7EA-9	Q220
V91104099	D8EA	Q216
V91104100	DR8EIX	
V91104101	DR8EA	
V91104103	D8HA	
V91104111	DPR7EA-9	Q220
V91104114	D9EA	
V91104115	DR9EIX	
V91104116	DR9EA	Q219
V91104119	D10EA	
V91104122	DR9EIX	
V91104126	CR8E	Q226
V91104127	CR8EH-9	Q228
V91104129	CR9EH-9	Q229
V91104131	CR9E	Q227
V91104149	BP6HSA	
V91104155	CR9EK	Q230
V91104157	D6EA	
V91104158	CR8EK	
V91104159	BR9ECM	

TACTI	→ NGK	Quick
V91105060	BKUR6ET	
V91105068	PTR5A-13	
V91105316	BR8EIX	
V91105317	BR9EIX	
V91105319	BR10EIX	
V91105362	CR8EIX	
V91105363	B8HCS	
V91105368	CR8EHIX-9	
V91105369	CR9EHIX-9	
V91105372	DR8EIX	
V91105373	DR9EIX	
V91105376	DPR8EIX-9	
V91105377	DPR9EIX-9	
V91105379	BR7HIX	
V91105380	BR8HIX	
V91105381	BR9HIX	
V91105391	BR8ECMIX	
V91105392	BR9ECMIX	
V91105393	BR10ECMIX	
V91106006	BP-4	
V91106008	B-4	
V91106009	B4ES	
V91106021	BP-4	
V91106022	BM6A	
V91106023	BPM6A	
V91106027	BPM7A	
V91106028	B9HS-10	
V91106037	BP6HS-10	
V91106044	BPR2ES	
V91106046	BPR2ES	
TORCH	→ NGK	Quick
8012	BPR6EIX	
A6RTC	CR6HSA	
A6TC	C6HSA	
A7RC	CR6HSA	
A7RTC	CR7HSA	
A7T	C7HSA	
A7TC	C7HSA	
A8RTC	CR8HSA	
A8TC	C8HSA	
B7RTC	CPR7EA-9	
B8RC	CR8E	Q226
C6RTC	D6HA	
D6RTC9	DPR6EA-9	
D7	D7EA	
D7CA	D7EA	
D7RC	D7EA	
D7RTC	DPR7EA-9	Q220
D7RTC9	DPR7EA-9	Q220
D7TC	DP7EA-9	
D8C	D8EA	Q216
D8RC	DR8EA	
D8RTC	DR8EA	





# Industry

<b>TORCH</b>	<b>→ NGK</b>	<b>Quick</b>
D8T	D8EA	Q216
DK7RTC	DCPR7E	
E4RTC	BPR4HS	
E4TC	BP4HS	
E5RTC	BPR5HS	
E5T	BP-4H	
E5TC	BP5HS	
E6RC	BR6HS	Q209
E6RTC	BPR6HS	Q214
E6T	BP4HS	
E7C	B6HS	Q203
E8RC	BR8HS	Q212
E8RTC	BPR8HS	
F5C	B4ES	
F5RTC	BPR5ES	
F5TC	BP5ES	
F6RTC	BPR6ES	
F6T	BP6ES	
F7C	B7ES	
F7RC	BR7ES	
F7RTC	BPR7ES	
F8RC	BR8ES	Q207
F8RTC	BP8ES	
G3F	B-4	
G3TC	BP-4	
G4C	B-4	
G4RC	B-4	
G5RC	BR6S	
G6	B6S	Q302
G6C	B6S	Q302
G6RC	BR6S	
H5	B6S	Q302
K5RF11	BKR5E-11	
K6RF	BKR6ES	
K6RF11	BKR6E-11	
K6RTC	BKR5E-11	
K7RTC	BKR6ES	
L6	BM6A	
L6C	BM6A	
L6RC	BMR6A	
L6RTC	BPMR6A	
L6T	BPM6A	
L6TC	BPM6A	
L7T	BPM7A	
L7TC	BPM7A	
L9T	BPM7A	
Q6TC	BP6EFS	
R4C	AB-6	
T1137C	C7HSA	



<b>APRILIA</b>	→ <b>NGK</b>	<b>Quick</b>
2BEN000181	CPR8E	
2BEN000276	CPR8E	
2BEN000319	ZMR7AP	
297542	DR8EA	
297547	DR8EB	
297830	BR10EG	
297920	CR8E	Q226
297921	CR8EIX	
297942	DCPR9E	
297945	R0045Q-10	
438027	CR9E	Q227
897055	BR8ES	Q207
8122586	DR7EA	
8176075	BPR4HS	
8206870	BR7HS	Q211
8206871	BR8HS	Q212
8206873	BR8ES	Q207
8206915	BR9ES	Q208
8224684	CR7EB	
8224685	CR9EB	
8520007	CR7E	Q225
8550352	CR7E	Q225
8560146	CR7EKB	
8570084	CR8EB	
8600008	BR9ECM	
AP8540004	CR9E	Q227
AP8550352	CR9E	Q227
B043807	CR9EKB	
PA8570084	CR8EB	
<b>BAJAJ</b>	→ <b>NGK</b>	<b>Quick</b>
AZ351207	CPR8EA-9	
<b>BETA</b>	→ <b>NGK</b>	<b>Quick</b>
361100000	BPR7ES	
361100100	GR7CI-8	
<b>BMW</b>	→ <b>NGK</b>	<b>Quick</b>
11127675485	KR9CI	
12121342836	BKR7EKC	
12122343144	D8EA	Q216
12127650676	BKR7EKC	
12127653439	CR8EB	
12127653771	BKR7EKC	
12127664404	DR8EB	
12127671301	DCPR8EKC	
12127671302	BKR7EKC	
12127677560	DCPR8EKC	
12127681415	BKR7EKC	
12127699116	KR9CI	
12127710636	CR9EKB	
12127710681	MAR9B-JDS	
12127719772	LMAR9D-J	
12127722278	MAR9B-JDS	
12127726112	MAR8B-JDS	

<b>BMW</b>	→ <b>NGK</b>	<b>Quick</b>
12127728634	DCPR8EKC	
12127728635	KR9CI	
12127728657	LMAR8AI-8	
12128396345	LMAR9FI-10G	
12128532942	LMAR8D-J	
12128560811	LMAR8AI-10	
12128569360	LMAR8J-9E	
121276506763	BKR7EKC	
<b>BOMBARDIER</b>	→ <b>NGK</b>	<b>Quick</b>
415129484	PFR7AB	
512059533	BR9ECS-5	
512060294	PZFR6F	
<b>DAYTONA</b>	→ <b>NGK</b>	<b>Quick</b>
61479	BR8EIX	
61480	BR9EIX	
61481	CR8EIX	
61482	B8HCS	
61483	CR8EHIX-9	
61484	CR9EHIX-9	
61488	DR8EIX	
61489	DR9EIX	
61492	BPR8HIX	
61494	DPR8EIX-9	
<b>DUCATI</b>	→ <b>NGK</b>	<b>Quick</b>
67040351A	DCPR8E	
67040351B	DCPR8E	
67040381	MAR10A-J	
67040381A	MAR10A-J	
67040451A	MAR9A-J	
67040491A	KR8C-G	
<b>HARLEY-D.</b>	→ <b>NGK</b>	<b>Quick</b>
3	B-6L	
4	B-6L	
4R	B-6L	
4R5	BPR7HS-10	
5	B6S	Q302
5RL	ZGR5C	
6R12	DCPR7E	
8	BR10EIX	
10R12A	DCPR8E	
45	BP7HS	
<b>HONDA</b>	→ <b>NGK</b>	<b>Quick</b>
3191WZ0M5400	BPR4ES	
3191WZ0M5500	BPR5ES	
3191WZ0M5600	BPR6ES	
12290RSH0030	IFR6G-11K	
31901NN20030	BR6ES	
31901NX47020M1	R7376-10	
31901NX49010	R7376-10	
31908KRNA41	R0451B-8	
31908KRNA410M1	R0451B-8	





**OE**

<b>HONDA</b>	<b>→ NGK</b>	<b>Quick</b>
31908KTW901	LMAR8A-9	
31908KTW9010M1	LMAR8A-9	
31908KTW9011M1	LMAR8A-9	
31908MGC003	LMAR8A-9S	
31908MGC0031	LMAR8A-9S	
31908MGCA0000	LMAR8A-9S	
31909HL4003	SILMAR7A9S	
31909MENA31	SILMAR9A9S	
31909MENA310M1	SILMAR9A9S	
31909MGC0031	LMAR8A-9S	
31909MJPG51	SILMAR8A9S	
31910MENA31	SILMAR10A9S	
31911HW1671	IMR9D-9H	
31911HW16710M1	IMR9D-9H	
31911KRN731	R0409B-8	
31911KRN7310M1	R0409B-8	
31911KSK731	BR9EG-N-8	
31911KSK7310M1	BR9EG-N-8	
31911MBTF21	IJR8B9	
31911MBTF210M1	IJR8B9	
31911MEEJ01	IMR8C-9HES	
31911MEEJ010M1	IMR8C-9HES	
31911MEEJ011M1	IMR8C-9HES	
31912MBWE11	IMR9C-9H	
31912MBWE110	IMR9C-9H	
31912MBWE111M1	IMR9C-9H	
31912MBWE112M1	IMR9C-9H	
31912MCW0030	IMR9B-9H	
31912MEE0000	IMR9C-9H	
31912MEEJ01	IMR8C-9HES	
31912MEL0030	IMR9C-9HES	
31912MELA	IMR9C-9HES	
31912MFL0030	IMR9E-9HES	
31912MGH641	IMR8E-9HES	
31916KPH901	CPR6EA-9	
31916KPH9010M1	CPR6EA-9	
31916KRM841	CPR8EA-9	
31916KRM8410M1	CPR8EA-9	
31916KRM8413M1	CPR8EA-9	
31916KWB601	CPR6EA-9S	
31916MEH0030	SIMR8A9	
31916ZY3004	IZFR6F11	
31916ZY30030	IZFR6F11	
31916ZY30032	IZFR6F11	
31917K40F01	SILMAR8C9	
31917KPH901	CPR7EA-9	
31918MEB671	IFR8H11	
31918MEB672	IFR9H11	
31918MEB6710M1	IFR8H11	
31919MEB671	IFR9H11	
31919MEB672	IFR8H11	
31919MEB6710M1	IFR9H11	
31922MBWE12	IMR9C-9H	

<b>HONDA</b>	<b>→ NGK</b>	<b>Quick</b>
31922MEL003	IMR9C-9HES	
31922MFL003	IMR9E-9HES	
31922MOW004	IMR9B-9H	
31926KRM841	CPR9EA-9	
31940NX57520M1	R7282-105	
31940NX59410	R7282-105	
31988GEV761	ER8EH-N	
31988GEV7611M1	ER8EH-N	
31989GEV761	ER9EH-N	
98059589J6	CR8EH-9S	
98059589K6	CR8EH-9S	
98595998H	IMR9A-9H	
98695798B	IJR7A9	
307170020	DR9EA	Q219
980565671R00	CR6HSA	
980565771R00	CR7HSA	
980595891F	CR8EHIX-9	
980595991F	CR9EHIX-9	
980595991U	IMR9A-9H	
980595992U	IMR9C-9H	
980695697Q	DCPR6E	
980695771P	DR7EA	
980695771P00	DR7EA	
980695771R	DR8EA	
980695791U	IJR7A9	
980695792U	IJR7A9	
980695797Q	DCPR7E	
980695871P	DR8EA	
980695871P00	DR8EA	
980695891F	DPR8EIX-9	
980695991F	DPR9EIX-9	
980765671G	BR6HSA	Q210
980765671G00	BR6HSA	Q210
980765672G	BR6HSA	Q210
980765871G	BR8HSA	
980765871G00	BR8HSA	
980765871G01	BR8HSA	
980765872G	BR8HSA	
980795514E	BKR5E-11	
980795514EH0	BKR5E-11	
980795515E	BKR5E-11	
980795515U	IFR5L11	
980795517U	IFR5L11	
980795585C	BKR5E	
980795585V	ZGR5A	
980795587V	ZGR5A	
980795614B	BKR6E-11	
980795614E	BKR6E-11	
980795615E	BKR6E-11	
980795615U	IFR6L11	
980795617U	IFR6L11	
980795617V	IFR6G-11K	
980795685C	BKR6E	



<b>HONDA</b>	<b>→ NGK</b>	<b>Quick</b>
980795714E	BKR7E-11	
980795714G	ZFR7F-11	
980795715E	BKR7E-11	
980795715G	ZFR7F-11	
980795785C	BKR7E	
980795814E	BKR8E-11	
980795815E	BKR8E-11	
980795915U	FR9BI-11	
980795917U	FR9BI-11	
8981999010	BPR5ES	
8983999010	BPR6ES	
9470100408	CR9EIA-9	
9804959716	ER9EH	
9804959726	ER9EH	
9805656713	C6HSA	
9805656716	CR6HS	Q223
9805656717	C6HA	
9805656718	CR6HSA	
9805656723	C6HSA	
9805656726	CR6HSA	
9805657713	C7HSA	
9805657716	CR7HS	
9805657718	CR7HSA	
9805657726	CR7HSA	
9805657918	CR7HSA-9	
9805658713	C8HSA	
9805658716	CR8HS	
9805658718	CR8HSA	
9805956916	CR6EH-9	
9805957910	CR7EH-9	
9805957916	CR7EH-9	
9805957926	CR7EH-9	
9805958816	CR8E	Q226
9805958816H0	CR8E	Q226
9805958910	C8EH-9	
9805958916	CR8EH-9	Q228
9805958920	C8EH-9	
9805958926	CR8EH-9	Q228
9805959816	CR9E	Q227
9805959816H0	CR9E	Q227
9805959916	CR9EH-9	Q229
9806158616	DPR8Z	
9806159616	DPR9Z	
9806656710	D6HA	
9806656717	D6HA	
9806658710	D8HA	
9806658714	D8HA	
9806658716	DR8HS	
9806658717	D8HA	
9806938716	DR8ES-L	Q218
9806938719	DR8ES-L	Q218
9806955911	DPR5EA-9	
9806955916	DPR5EA-9	

<b>HONDA</b>	<b>→ NGK</b>	<b>Quick</b>
9806956717	D6EA	
9806956916	DPR6EA-9	
9806957716	DR7ES	
9806957717	D7EA	
9806957719	DR7ES	
9806957726	DR7EA	
9806957911	DP7EA-9	
9806957916	DPR7EA-9	Q220
9806958716	DR8ES	Q217
9806958717	D8EA	Q216
9806958719	DR8ES	Q217
9806958726	DR8EA	
9806958911	DP8EA-9	
9806958912	DPR8EIX-9	
9806958916	DPR8EA-9	Q221
9806958922	DPR8EIX-9	
9806958926	DPR7EA-9	Q220
9806959717	D9EA	
9806959911	DP9EA-9	
9806959912	DPR9EIX-9	
9806959916	DPR9EA-9	Q222
9806959926	DPR7EA-9	Q220
9806960717	D10EA	
9807354710	B-4	
9807354744	BMR4A	
9807354754	BMR4A	
9807356740	BM6A	
9807356741	BPM6A	
9807356744	BMR6A	
9807356750	BM6A	
9807654710	B-4H	
9807654711	BP4HS	
9807654717	BPR4HS	
9807654719	BP4HS	
9807654747	BPR4HS	
9807654770	B-4H	
9807654780	B-4H	
9807655711	BP5HS	
9807655716	BR5HS	
9807655717	BPR5HS	
9807655719	BP5HS	
9807655747	BPR5HS	
9807656710	B6HS	Q203
9807656711	B6HS	Q203
9807656713	BP6HSA	
9807656715	BPR6HSA	
9807656716	BR6HS	Q209
9807656717	BPR6HS	Q214
9807656719	BP6HS	
9807656721	BP6HS	
9807656725	BPR6HSA	
9807656729	BPR6HS	Q214
9807656740	B6HS	Q203



**OE**

<b>HONDA</b>	<b>→ NGK</b>	<b>Quick</b>
9807656741	B6HS	Q203
9807656747	BPR6HS	Q214
9807656756	BPR6HS	Q214
9807656917	BPR6HS-10	
9807656927	BPR6HS-10	
9807657710	B7HS	Q204
9807657711	BP7HS	
9807657716	BR7HS	Q211
9807657717	BPR7HS	Q215
9807657719	BP7HS	
9807657740	B7HS	Q204
9807658710	B8HS	Q205
9807658711	BP8HS	
9807658713	BPR8HSA	
9807658715	BPR8HSA	
9807658716	BR8HS	Q212
9807658717	BPR8HS	
9807658719	BP8HS	
9807658740	B8HS	Q205
9807658747	BPR8HS	
9807659710	B9HS	
9807659716	BR9HS	
9807659740	B9HS	
9807952876	BPR2ES	
9807954817	BPR4ES	
9807954846	BPR4ES	
9807955145	BPR5ES-11	
9807955810	B5ES	
9807955811	BP5ES	
9807955816	BR5ES	
9807955817	BPR5ES	
9807955840	B5ES	
9807955841	BP5ES	
9807955846	BPR5ES	
9807955847	BR5ES	
9807955848	BR5ES	
9807955849	BR5ES	
9807955855	BPR5E	
9807955876	BPR5ES	
9807955876H0	BPR5ES	
9807956115	BPR6ES-11	
9807956140	BKR6E-11	
9807956145	BPR6ES-11	
9807956155	BPR6ES-11	
9807956810	B6ES	
9807956811	BP6ES	
9807956817	BR6ES	
9807956840	B6ES	
9807956841	BP6ES	
9807956844	BPR6EIX	
9807956846	BPR6ES	
9807956847	BR6ES	
9807956849	BR6ES	

<b>HONDA</b>	<b>→ NGK</b>	<b>Quick</b>
9807956854	BP6ES	
9807956855	BPR6ES	
9807956871H0	BP6ES	
9807956876H0	BPR6ES	
9807957176	BR6ES	
9807957614	BR7EIX	
9807957810	B7ES	
9807957816	BR7ES	
9807957840	B7ES	
9807957846	BPR7ES	
9807957847	BR7ES	
9807957848	BR7ES	
9807957849	BR7ES	
9807957855	BPR7ES	
9807957874	BR7EIX	
9807957876	BR7ES	
9807957877	BR7ES	
9807958644	BR8EIX	
9807958646	BR8EIX	
9807958648	B8EG	
9807958649	BR8EG	
9807958678	B8EG	
9807958679	BR8EG	
9807958810	B8ES	Q201
9807958816	BR8ES	Q207
9807958819	BR8ECS	
9807958840	B8ES	Q201
9807958841	BP8ES	
9807958845	BR8ECM	
9807958846	BR8ES	Q207
9807958847	BPR8ES	Q213
9807958857	BR8ES	Q207
9807958870	B8ES	Q201
9807958875	BR8ECM	
9807958876	BR8ES	Q207
9807959644	BR9EIX	
9807959646	BR9EIX	
9807959648	B9EG	
9807959649	BR9EG	
9807959659	BR9EG	
9807959678	B9EG	
9807959679	BR9EG	
9807959810	B9ES	Q202
9807959811	B9ES	Q202
9807959816	BR9ES	Q208
9807959819	BR9ECS	
9807959840	B9ES	Q202
9807959845	BR9ECM	
9807959847	BR9ES	Q208
9807959855	BR9ECM	
9807959870	B9ES	Q202
9807959875	BR9ECM	
9807959876	BR9ES	Q208



<b>HONDA</b>	→ <b>NGK</b>	<b>Quick</b>
9807960616	BR10EIX	
9807960646	BR10EIX	
9807960648	B10EG	
9807960649	BR10EG	
9807960676	BR10EIX	
9807960678	B10EG	
9807960679	BR10EG	
9807960817	BR10ES	
9807960819	BR10ECS	
9817956841	BP6ES	
98056577130A	C7HSA	
980565671300	C6HSA	
980565671301	C6HSA	
980565671700	CR6HSA	
980565771300	C7HSA	
980595781700	CR7E	Q225
980595791600	CR7E	Q225
980595881700	CR8E	Q226
980595891600	CR8E	Q226
980695771700	D7EA	
980695771702	D7EA	
980695791600	DPR7EA-9	Q220
980695871701	D8EA	Q216
980695891603	DPR8EA-9	Q221
980765671100	BP6HSA	
980765671902	BP6HS	
980765771901	BP7HS	
980795584103	BP5ES	
980795881001	B8ES	Q201
H98595998H	IMR9A-9H	
H98695798B	IJR7A9	
<b>HUSQVARNA</b>	→ <b>NGK</b>	<b>Quick</b>
8528522	LMAR8C-9	
<b>ITALJET</b>	→ <b>NGK</b>	<b>Quick</b>
94004	BR7HS	Q211
94015	DR8EA	
94025	BR8HS	Q212
94029	BR9ES	Q208
94032	CR7E	Q225
<b>KAWASAKI</b>	→ <b>NGK</b>	<b>Quick</b>
92070001	B7HS	Q204
92070007	B6HS	Q203
92070014	B6ES	
92070015	B7ES	
92070019	B6ES	
92070036	B9HS	
92070037	B8ES	Q201
92070053	B8ES	Q201
92070054	B9ES	Q202
92702077C	BPR5ES	
920700001	CR8EB	
920700007	IZFR6F11	
920700010	R6918B-9	

<b>KAWASAKI</b>	→ <b>NGK</b>	<b>Quick</b>
920700014	CR9EIA-9	
920700015	BR8ECMIX	
920700016	BR9ECMIX	
920700019	CR8E	Q226
920700020	CPR8EB-9	
920700022	CPR7EA-9	
920700029	CPR8EA-9	
920700036	ILZKAR7B11	
920700045	MR8CI-8	
920700047	SILMAR9B9	
920700534	B8ES	Q201
920700716	LMAR9G	
920701002	B7ES	
920701011	D8EA	Q216
920701014	BP8ES	
920701014B	BP8ES	
920701019	DR8ES	Q217
920701021	BR8ES	Q207
920701024	BP6ES	
920701025	BPR6ES	
920701027	BPR7ES	
920701034	D9EA	
920701044	BPR8ES	Q213
920701063	BR9EG	
920701064	BR8EG	
920701065	DPR8EA-9	Q221
920701066	DP8EA-9	
920701067	DP9EA-9	
920701068	DPR9EA-9	Q222
920701107	C7HSA	
920701109	BR9ES	Q208
920701113	DR7ES	
920701114	C6HSA	
920701114C	C6HSA	
920701116	DR8ES-L	Q218
920701124	DP7EA-9	
920701125	DPR7EA-9	Q220
920701133	BR10EG	
920701138	DPR6EA-9	
920701140C	BP8ES	
920701141C	BP7HS	
920701142	C9E	
920701143	CR9E	Q227
920701145	CR9EK	Q230
920701153	CR6HSA	
920701154	CR7HSA	
920701155	CR8HSA	
920701157	BR9ES	Q208
920701158	CR8EK	
920701165	DR7EA	
920701167	BP5ES	
920701168	C8E	
920701168B	C8E	



**OE**

<b>KAWASAKI</b>	<b>→ NGK</b>	<b>Quick</b>
920701169	CR8E	Q226
920701169B	CR8E	Q226
920701173	BR10ES	
920701189	DR9EA	Q219
920701199	DR8EA	
920701202B	BP7HS	
920701209	CR7E	Q225
920701210	B9ES	Q202
920701218	C8HSA	
920701221	B10EG	
920701222	B8EG	
920701223	B9EG	
920701224	B9EG	
920701227	BR9EIX	
920701228	BR9EIX	
920701230	BR8EIX	
920701231	BR8EIX	
920701241	R6252K-105	
920701250	DPR5EA-9	
920701254	CR9EKPA	
920701263	BP8HS	
920701264	CR9EK	Q230
920701266	CR9E	Q227
920701270	BR8EIX	
920701271	BR9EIX	
920702051	BM6A	
920702052	BP4HS	
920702060	BMR6A	
920702061	BPR4HS	
920702062	BR6S	
920702072	BMR4A	
920702077	BPR5ES	
920702078	BR8ES	Q207
920702090	B-4H	
920702098	BR4-LM	
920702100	BMR2A	
920702102	BPM7A	
920702103	BMR2A-10	
920702108	BPMP6A	
920702109	BPM6A	
920702110	BPR2ES	
920702112	BPR4ES	
920702116	B6HS	Q203
920702117	BR6HS	Q209
920703701	BR7ES	
920703702	BR8ES	Q207
920703707	PMR9B	
920707004D	BPR4ES	
J4520IU24	CR8EIX	
J4520IU27	B8HCS	
J4520IU0131	R0373A-10	
J4520IUH24	CR8EHIX-9	
J4520IUH27	CR9EHIX-9	

<b>KAWASAKI</b>	<b>→ NGK</b>	<b>Quick</b>
J4520IW24	BR8EIX	
J4520IW27	BR9EIX	
J4520IW31	BR10EIX	
J4520IW0127	R7376-9	
J4520IW0131	R7376-10	
J4520IWF22	BR7HIX	
J4520IWF24	BR8HIX	
J4520IWF27	BR9HIX	
J4520IX24	DR8EIX	
J4520IX24B	DPR8EIX-9	
J4520IX27	DR9EIX	
J4520IX27B	DPR9EIX-9	
J4520IXU0127	R2525-9	
J4520TR24	BR8HS	Q212
J4520U20FSRU	CR6HSA	
J4520U22ESRN	CR7E	Q225
J4520U22FSL	C7HSA	
J4520U22FSRU	CR7HSA	
J4520U24ESRN	CR8E	Q226
J4520U27ESRN	CR9E	Q227
J4520U27ETR	CR9EK	Q230
J4520W20EPRU	BPR6ES	
J4520W20EPU	BP6ES	
J4520W20FPRU	BPR6HS	Q214
J4520W22FPRU	BPR7HS	Q215
J4520W24ESRU	BR8ES	Q207
J4520W27ESRU	BR9ES	Q208
J4520W27ESU	B9ES	Q202
J4520W31ESRU	BR10ES	
J4520X20EPRU9	DPR6EA-9	
J4520X20FSU	D6HA	
J4520X22EPRU9	DPR7EA-9	Q220
J4520X24EPRU9	DPR7EA-9	Q220
J4520X24EPU9	DP8EA-9	
J4520X24ESRU	DR8EA	
J4520X24ESU	D8EA	Q216
J4520X27EPRU9	DPR7EA-9	Q220
<b>KOHLER</b>	<b>→ NGK</b>	<b>Quick</b>
2513212S	BKR5EIX	
<b>KTM</b>	<b>→ NGK</b>	<b>Quick</b>
45239093000	LR8B	
47039093000	BR10ECMIX	
50339093100	BR9EIX	
51539093000	BR9ECMIX	
54331093210	BR10EG	
54331093310	BR8EG	
54331093410	BR8ECM	
55439193000	ZGR7GI-13G	
59039093000	CR8EK	
59039093100	DCPR8E	
60139093000	LKAR8BI9	
60439093000	LKAR9BI-10	
60439094000	LMAR7DI-10	



<b>KTM</b>	→ <b>NGK</b>	<b>Quick</b>
61039093000	DCPR8E	
61139093000	KR8DI	
61239093200	LKAR9BI9	
69139093000	LMAR7A-9	
75039093000	LKAR8AI-9	
77039093000	CR9EKB	
77239093000	LMAR9AI-8	
77839093000	LMAR9AI-10	
78039093000	LKAR8A-9	
<b>LOTUS</b>	→ <b>NGK</b>	<b>Quick</b>
A100E6277S	BKR6E	
<b>MBK</b>	→ <b>NGK</b>	<b>Quick</b>
9079Q0415500	B6HS	Q203
9079Q0415600	B7HS	Q204
9079Q0415700	B8HS	Q205
9079Q0415800	B7ES	
9079Q0415900	B8ES	Q201
9079Q0416000	B9ES	Q202
9079Q0416100	BPR6HS	Q214
9079Q0416200	BPR7HS	Q215
9079Q0416300	BR7HS	Q211
9079Q0416400	BR9ES	Q208
9079Q0491300	B9HS	
9079Q0507200	BR8HS	Q212
9079Q0579000	BR8ES	Q207
9079Q0579100	BR9HS	
9079Q0579200	CR7E	Q225
9079Q0579300	CR8E	Q226
9079Q3050100	CPR9EA-9	
<b>MOTO GUZZI</b>	→ <b>NGK</b>	<b>Quick</b>
887016	LMAR8F-9	
<b>MV AGUSTA</b>	→ <b>NGK</b>	<b>Quick</b>
8000B7884	CR9EIB-9	
80099561	CR9EKB	
<b>PEUGEOT</b>	→ <b>NGK</b>	<b>Quick</b>
5962A2	BP6ES	
5962A3	BP6HS	
5962C5	BKR6ES	
5962C6	BKR6ES	
5962H2	BKR6ES	
5962H8	BKR5ES	
5962H9	BKR5ES	
5962J9	BKR6ES	
5962K4	BKR6ES	
5962K6	BKR6ES	
5962R9	BKR6ES	
5962S2	BKR6ES	
5962S4	BKR5ES	
5962S7	BP5ES	
5962T8	BKR6ES	
5962TO	BKR6ES	
5962V6	BKR5ES	

<b>PEUGEOT</b>	→ <b>NGK</b>	<b>Quick</b>
5962V7	BKR6ES	
5962W1	BKR5ES	
59622A	BPR6ES	
59622T	BKR6EKC	
59622X	BKR6ES	
596205	BP6EFS	
596209	BP6EFS	
596213	BP6ES	
596214	BP6EFS	
596215	BP6EFS	
596216	BP6ES	
596222	BPR6EIX	
596271	BKR6ES	
596272	BP6EFS	
596280	BP6HS	
596282	BP6ES	
596287	BP6EFS	
596288	BP8ES	
596290	BP6HS	
726752	BR6HSA	Q210
734371	BR8HS	Q212
735592	BPR6HS	Q214
736954	BR7HS	Q211
736975	BR7ES	
737027	BPR5HS	
738155	BR8ES	Q207
742380	CR7E	Q225
744361	CPR8E	
746174	CR7EB	
754050	BR9ES	Q208
756756	DPR7EA-9	Q220
756757	B6HS	Q203
756758	BP5HS	
756759	B7HS	Q204
756760	B8HS	Q205
756761	BP6HS	
756762	B9ES	Q202
756763	B9HS	
756766	B8ES	Q201
756767	CPR8EB-9	
756768	BR9HS	
756770	B6ES	
758144	CR7HSA	
759874	CR7EKB	
760464	BPR7ES	
761605	CR9EB	
766420	CR7EKA	
768228	CR8EKB	
769618	CR8EB	
95496692	BP6HS	
95605398	B6HS	Q203
95611941	BP6EFS	
95619043	BP6ES	



**OE**

<b>PEUGEOT</b>	→ <b>NGK</b>	<b>Quick</b>
96064890	BKR5ES	
1173702700	BPR5HS	
AM212207A	B6HS	Q203
ZC9862090U	BP5ES	
ZCT000011	BP6HS	
<b>PIAGGIO</b>	→ <b>NGK</b>	<b>Quick</b>
1A010638	MR8BI-8	
1D001003	LMAR8EI-7	
31989GEV761	ER9EH-N	
438027	CR9E	Q227
638852	CR7EB	
638853	CR8EB	
639687	CR8EKB	
641387	ER9EH-6N	
828209	CR9EB	
829981	CR7EKB	
847085	B8ES	Q201
861612	BR8ES	Q207
887016	LMAR8F-9	
896472	PMR9B	
AP2BEN000088	BPR7HS	Q215
AP2BEN000276	CPR8E	
AP2BEN000319	ZMR7AP	
AP0297542	DR8EA	
AP0297547	DR8EB	
AP0297830	BR10EG	
AP0297942	DCPR9E	
AP8176075	BPR4HS	
AP8206870	BR7HS	Q211
AP8206871	BR8HS	Q212
AP8206915	BR9ES	Q208
AP8520007	CR7E	Q225
AP8540004	CR9E	Q227
AP8550352	CR9E	Q227
AP8600008	BR9ECM	
GU05717030	PMR8B	
<b>POLARIS</b>	→ <b>NGK</b>	<b>Quick</b>
3022332	GR9A-EG	
3022809	MR8F	
<b>SKI-DOO</b>	→ <b>NGK</b>	<b>Quick</b>
415128524	BR9ECS	
415129375	PZFR6F	
415129429	CR8EKB	
415129484	PFR7AB	
415129599	CR7EB	
415129944	MR8BI-8	
415130154	ILKR8Q7	
415159670	MR7BI-8	
420297948	ILKR8Q7	
512059552	BR9ECS-5	
707000246	DCPR8E	

<b>SUBARU</b>	→ <b>NGK</b>	<b>Quick</b>
22401AA020	BP6ES	
22401AA030	BP6ES	
22401AA120	BPR6ES-11	
22401AA130	BPR6ES-11	
22401AA200	BPR6ES	
22401AA210	BPR7ES	
22401AA220	BPR6ES	
22401AA310	BKR6E-11	
22401AA320	BKR6E-11	
22401AA480	BPR5ES-11	
22401AA510	BKR6EIX	
22401KA010	BKR6E-11	
22401KA030	BKR6E-11	
22401KA080	BKR6E	
22401KA090	BCPR6E	
22401KA100	BCPR6E	
22401KA130	BPR6ES	
22401KA150	BKR6E	
22401KA200	BKR5E-11	
22401KA240	DCPR7E	
22401KA260	DCPR7E	
22401KA310	DCPR8E	
22401KA320	DCPR8EIX	
22401KA340	KR8BI	
22401KA440	BKR5E	
320540800	B6ES	
320541110	B7ES	
320541120	BR7EIX	
320545700	BR6ES	
382420800	B5ES	
420543200	BP5ES	
420545502	BP6ES	
490010013	BPR6EIX	
490010033	BPR5ES	
820541810	B6HS	Q203
820541812	B6HS	Q203
820546010	B8HS	Q205
820547820	BR6HIX	
820548020	BR8HIX	
820548600	B6ES	
820549310	B7HS	Q204
820549312	B7HS	Q204
820549320	BR7HIX	
882417800	B5HS	
890573400	B6S	Q302
<b>SUZUKI</b>	→ <b>NGK</b>	<b>Quick</b>
9900079A45B0E	BR10EIX	
9900079A45B6H	BR6HIX	
9900079A45B7E	BR7EIX	
9900079A45B7H	BR7HIX	
9900079A45B8E	BR8EIX	
9900079A45B8H	BR8HIX	
9900079A45B9E	BR9EIX	



<b>SUZUKI</b>	<b>→ NGK</b>	<b>Quick</b>
9900079A3720F	BR6HIX	
9900079A3722E	BR7EIX	
9900079A3724E	BR8EIX	
9900079A3724R	BR8EIX	
9900079A3727R	BR9EIX	
9900079A3729E	BR10EIX	
9900079A3731E	BR10EIX	
9900079K24H24	CR8EHIX-9	
9900079K24H27	CR9EHIX-9	
9900079K24IW4	BR8EIX	
9900079K24IW7	BR9EIX	
9900079K24U24	CR8EIX	
9900079K24U27	B8HCS	
9900079K24W22	BR7HIX	
9900079K24W24	BR8HIX	
9900079K24W27	BR9HIX	
9900079K24W31	BR10EIX	
9900079K24X24	DR8EIX	
9900079K24X27	DR9EIX	
9900079K60K5R	BKR5EIX	
9900079K60K6R	BKR6EIX	
9900079K60P6R	BPR6EIX	
9900079K2424B	DPR8EIX-9	
9900079K2427B	DPR9EIX-9	
0948200006	B-4	
0948200011	B-4H	
0948200036	BP-4H	
0948200051	B6S	Q302
0948200053	B7S	
0948200054	B6ES	
0948200056	B8ES	Q201
0948200059	BP6HS	
0948200060	BP7HS	
0948200064	BR6HIX	
0948200065	BR7HIX	
0948200066	B9ES	Q202
0948200074	BP6HS	
0948200079	BR6ES	
0948200082	B7HS	Q204
0948200083	B7HS	Q204
0948200084	BP6HS	
0948200088	BR6HS	Q209
0948200089	B7ES	
0948200091	B8ES	Q201
0948200095	B6HS	Q203
0948200096	BR8EIX	
0948200097	BR9EIX	
0948200098	BR9ES	Q208
0948200102	BR8HS	Q212
0948200105	BP7HS	
0948200114	BR8EIX	
0948200115	BR9EIX	
0948200116	BR7HS	Q211

<b>SUZUKI</b>	<b>→ NGK</b>	<b>Quick</b>
0948200117	BR7ES	
0948200118	BP6ES	
0948200120	BP5HS	
0948200121	BR8ES	Q207
0948200124	BP5HS	
0948200127	BR9ES	Q208
0948200128	B6ES	
0948200131	BP5ES	
0948200141	BPR6HS	Q214
0948200142	B-4H	
0948200143	BR5HS	
0948200144	D8EA	Q216
0948200145	D8EA	Q216
0948200147	BPR5HS	
0948200149	DR8ES-L	Q218
0948200151	B8HS	Q205
0948200153	B7HS	Q204
0948200155	BPR5ES	
0948200157	BR8HS	Q212
0948200159	BPR4EY	
0948200161	BP4HS	
0948200170	BP4HA	
0948200171	BP4HS	
0948200175	BP8ES	
0948200177	BP6ES	
0948200181	BR10EIX	
0948200182	D7EA	
0948200183	D7EA	
0948200184	D9EA	
0948200185	D9EA	
0948200186	BP-4H	
0948200188	BP6HS	
0948200189	BP7HS	
0948200190	B6HS	Q203
0948200191	B7HS	Q204
0948200192	B8HS	Q205
0948200195	B7ES	
0948200196	B8ES	Q201
0948200198	B8HS	Q205
0948200205	BPR4HS	
0948200206	BPR4HS	
0948200208	BR8EIX	
0948200209	BR9EIX	
0948200210	BR10EIX	
0948200220	DR7ES	
0948200221	DR8ES	Q217
0948200222	DR7EA	
0948200223	DR8EA	
0948200225	B8ES	Q201
0948200228	BP5HS	
0948200229	BPR6HS	Q214
0948200230	BR8HS	Q212
0948200234	DR9EA	Q219





**OE**

<b>SUZUKI</b>	<b>→ NGK</b>	<b>Quick</b>
0948200237	B8HS	Q205
0948200239	BPR8ES	Q213
0948200255	BPR7HS	Q215
0948200258	BPMPR6A	
0948200259	BP6HS	
0948200264	BP6HS-10	
0948200265	BP6HS-10	
0948200268	BP8HS	
0948200280	BR8HS-10	
0948200281	BPR6HS	Q214
0948200282	B5HS	
0948200285	BPR6ES-11	
0948200289	B-4H	
0948200290	BP-4H	
0948200291	BP4HS	
0948200294	C6HA	
0948200295	C6HSA	
0948200299	BPR6ES	
0948200305	BP5HS	
0948200306	BPR6HS	Q214
0948200308	BR5HS	
0948200309	B5HS	
0948200314	CR7HSA	
0948200316	BPR5HS	
0948200321	C8HSA	
0948200325	BR8EIX	
0948200328	DP9EA-9	
0948200330	DPR9EA-9	Q222
0948200332	DP8EA-9	
0948200334	DPR8EA-9	Q221
0948200340	CR6HS	Q223
0948200348	BR8ES	Q207
0948200349	BR9ES	Q208
0948200351	B9ES	Q202
0948200352	DP7EA-9	
0948200354	DPR7EA-9	Q220
0948200359	BPR5HS	
0948200360	BR10ES	
0948200362	ZGR5A	
0948200366	JR9B	Q224
0948200367	BPR4HS	
0948200370	BR8HS-10	
0948200376	B8HS	Q205
0948200378	DCPR8E	
0948200379	DCPR8E	
0948200383	DCPR8EIX	
0948200384	DCPR8EIX	
0948200388	JR9B	Q224
0948200389	JR9B	Q224
0948200392	BP6ES	
0948200397	JR9C	
0948200398	DR7EA	
0948200399	DR8EA	

<b>SUZUKI</b>	<b>→ NGK</b>	<b>Quick</b>
0948200400	DR9EA	Q219
0948200404	LR8A	
0948200406	CR6HSA	
0948200407	CR6HSA	
0948200408	CR7HSA	
0948200409	BPR6ES	
0948200410	CR9EK	Q230
0948200411	CR9EK	Q230
0948200412	CR8EK	
0948200413	CR8EK	
0948200414	CR7EK	
0948200421	BPR6ES-11	
0948200427	BKR6E	
0948200429	BKR6E	
0948200430	R0373A-10	
0948200432	BPR5E	
0948200446	DCPR6E	
0948200447	DCPR6E	
0948200448	DCPR7E	
0948200449	DCPR7E	
0948200450	DCPR8E	
0948200452	ZGR5A	
0948200456	CR8E	Q226
0948200457	CR8E	Q226
0948200458	CR9E	Q227
0948200459	CR9E	Q227
0948200460	CR10E	
0948200461	CR10E	
0948200462	CR10EK	
0948200463	CR10EK	
0948200468	BPR5E	
0948200470	BR8ECM	
0948200472	BR9ECM	
0948200473	BR9ECM	
0948200476	BKR5E	
0948200477	BKR5E	
0948200478	B10ES	
0948200481	DCPR8EIX	
0948200484	DCPR8EIX	
0948200485	CR8HSA	
0948200487	BPR6ES	
0948200488	DCPR7E	
0948200491	JR8B	
0948200494	BKR6E-11	
0948200495	BPR7ES	
0948200497	BKR5E-11	
0948200498	BPR7ES	
0948200499	BR8EIX	
0948200500	BR9EIX	
0948200508	BKR6E-11	
0948200509	R6918B-8	
0948200513	R0045Q-10	
0948200515	CR7E	Q225



SUZUKI	→ NGK	Quick
0948200516	CR7E	Q225
0948200519	BR9EYA	
0948200522	BPR7HS-10	
0948200523	BPR8HS	
0948200528	CR6E	
0948200530	BPR6HS	Q214
0948200531	BP6HS	
0948200537	DCPR9EIX	
0948200554	CR7EIA-9	
0948200556	CR8EIA-9	
0948200557	CR9EIA-9	
0948200558	CR9EIA-9	
0948200561	BR8EG	
0948200564	BR9EYA	
0948200565	KR8AI	
0948200566	BKR5E-11	
0948200570	CR8EB	
0948200581	CR8EKB	
0948200582	CR9EKB	
0948200584	CR8EIB-10	
0948200590	CR6EIA-9	
0948200597	CR8EIA-10	
0948200612	MR8AI9	
0948200646	MR8E-9	
0948269001	BPR6HS	Q214
9482001197	B9ES	Q202
9900069571	C7HSA	
9900069835B6R	BR6HIX	
9900069835B7R	BR7HIX	
9900069835B8R	BR8HIX	
9900069835BR1	BR10EIX	
9900069835BR8	BR8EIX	
9900069835BR9	BR9EIX	
9900069835CR8	CR8EIX	
9900069835CR9	B8HCS	
9900069835DC8	DCR8EIX	
9900069835DR8	DR8EIX	
9900069835DR9	DR9EIX	
9900069835PR8	DPR8EIX-9	
9900069835PR9	DPR9EIX-9	
0948200167001	BPR5ES	
0948200233111	BR9ES	Q208
0948200240111	BPR8ES	Q213
0948200244111	BPR7HS	Q215
0948200247111	BR8ES	Q207
0948200302111	BPR6HS	Q214
0948200320111	CR8HSA	
0948200331111	DPR7EA-9	Q220
0948200333111	DP8EA-9	
0948200335111	DPR7EA-9	Q220
0948200349000	BR9ES	Q208
0948200355111	DPR7EA-9	Q220
0948200416111	BPR5HS	

SUZUKI	→ NGK	Quick
0948200600000	DIMR8C10	
TOYOTA	→ NGK	Quick
90919YZZAC	BKR6E-11	
0419534140	BP5ES	
0419534150	BP6ES	
9004851158	BKR5E-11	
9009800835	BUHX	
9009809775	BP-4	
9009809815	BP-4	
9009814055	B4ES	
9009814425	BPR4EY	
9009814515	BP-4H	
9009814645	B-4H	
9009814685	BP4HS	
9009814715	B-4	
9009814775	BP-4	
9009814815	BP-4	
9009816325	BPR5ES	
9009816455	B5ES	
9009816505	B5ES	
9009816515	BP5HS	
9009816645	B5ES	
9009816745	BPR5E	
9009816935	BR5ES	
9009817015	AB-6	
9009817025	AB-6	
9009820276	B6S	Q302
9009820325	BPR6ES	
9009820355	BM6A	
9009820415	C6HSA	
9009820455	B6ES	
9009820465	D6EA	
9009820485	D6HA	
9009820505	B6ES	
9009820515	BP6HS	
9009820525	BP6HSA	
9009820635	BP6EFS	
9009820645	B6HS	Q203
9009820695	BP6ES	
9009820745	BPR6ES	
9009820765	C6HSA	
9009820885	BP6EFS	
9009820905	BR6ES	
9009820925	BP6HS-10	
9009820935	BR6ES	
9009822015	AB-7	
9009822025	AB-7	
9009822276	B7S	
9009822325	BPR7ES	
9009822415	C7HSA	
9009822455	B7ES	
9009822465	D7EA	
9009822475	DR7EA	



**OE**

<b>TOYOTA</b>	<b>→ NGK</b>	<b>Quick</b>
9009822505	B7ES	
9009822515	BP7HS	
9009822645	B7HS	Q204
9009822745	BPR7ES	
9009822765	C7HSA	
9009822905	BR7ES	
9009822935	BR7ES	
9009824125	BP8ES	
9009824276	B8S	
9009824465	D8EA	Q216
9009824475	DR8EA	
9009824485	D8HA	
9009824495	DR8HS	
9009824505	B8ES	Q201
9009824645	B8HS	Q205
9009824695	BP8ES	
9009824935	BR8ES	Q207
9009825305	B8EG	
9009825375	BR8HIX	
9009827305	B9EG	
9009827465	D9EA	
9009827475	DR9EA	Q219
9009827505	B9ES	Q202
9009827645	B9HS	
9009827935	BR9ES	Q208
9009831305	B10EG	
9009831465	D10EA	
9009831505	B10ES	
9009866016	B-6L	
9009866024	BR5HS	
9009866047	BKR5E-11	
9009866053	BKR5E	
9009866058	BPR5E	
9009870003	BPR6ES-11	
9009870004	BPR6ES-11	
9009870005	BKR6E-11	
9009870023	CR6HSA	
9009870024	BR6HS	Q209
9009870025	BR6S	
9009870030	BPM6A	
9009870032	BPR6EIX	
9009870033	BPR6EIX	
9009870040	BKR6E-11	
9009870043	BP6ES	
9009870047	BKR6E-11	
9009870051	DCPR6E	
9009870053	BKR6E	
9009870058	BPR6ES	
9009870081	PZFR6F	
9009870082	BCPR6E	
9009870106	BPR6HS-10	
9009872021	DPR7EA-9	Q220
9009872023	CR7HSA	

<b>TOYOTA</b>	<b>→ NGK</b>	<b>Quick</b>
9009872024	BR7HS	Q211
9009872030	BPM7A	
9009872036	BR7EIX	
9009872047	BKR7E-11	
9009872051	DCPR7E	
9009874013	B8EG	
9009874021	DPR7EA-9	Q220
9009874024	BR8HS	Q212
9009874036	BR8EIX	
9009874037	DR8EIX	
9009874042	DP8EA-9	
9009874051	DCPR8E	
9009874052	DCPR8EIX	
9009877013	B9EG	
9009877014	B9HS-10	
9009877019	DPR9Z	
9009877021	DPR7EA-9	Q220
9009877024	BR9HS	
9009877036	BR9EIX	
9009877037	DR9EIX	
9009877088	C9E	
9009877102	JR9B	Q224
9009877111	CR9EHIX-9	
9009879036	BR10EIX	
9009879037	DR9EIX	
9009881036	BR10EIX	
9009881089	CR10EK	
9091901051	BPR5ES	
9091901073	B5ES	
9091901103	BPR4EY	
<b>TRIUMPH</b>	<b>→ NGK</b>	<b>Quick</b>
T1290024	DPR8EA-9	Q221
T1290180	DPR8EA-9	Q221
<b>YAMAHA</b>	<b>→ NGK</b>	<b>Quick</b>
9079ENG001	BR8EIX	
9079ENG002	BR9EIX	
9079ENG003	BR10EIX	
9079ENG004	BR8EIX	
9079ENG005	BR9EIX	
9470100N02	BR9EIX	
9079320001	BR7EIX	
9079320002	BR8EIX	
9079320003	BR9EIX	
9079320004	BR10EIX	
9079320005	BR6HIX	
9079320006	BR7HIX	
9079320007	BR8HIX	
9079320011	DR8EIX	
9079320012	DR9EIX	
9079320013	DPR8EIX-9	
9079320014	DPR9EIX-9	
9079320017	BR10HIX	
9079320018	BR10EIX	



YAMAHA	→ NGK	Quick
9079320022	DR8EIX	
9079320023	DR9EIX	
9079320029	BR10EIX	
9079320030	BR10EIX	
9079320031	BR10EIX	
9079320032	B10EG	
9079320035	BP-4H	
9079320039	BP6HSA	
9079320051	D8HA	
9079320053	D10EA	
9079320057	BR6HS	Q209
9079320060	BR6ES	
9079320062	BPR8ES	Q213
9079320071	CR7HS	
9079320072	CR8HS	
9079320075	DR8HS	
9079320076	DR7ES	
9079320077	DR8ES	Q217
9079320080	DPR7EA-9	Q220
9079320083	DPR8EIX-9	
9079320084	DPR9EIX-9	
9079320090	BPM7A	
9079320099	BR9HIX	
9079320100	BR10HIX	
9079320103	BPR8HIX	
9079320107	BPR6EIX	
9079320112	BR8EIX	
9079320115	BR10EIX	
9079320117	BPR6EIX	
9079320118	BR9EIX	
9079320119	DPR8EIX-9	
9079320120	DPR9EIX-9	
9079320122	CR8EIX	
9079320124	CR8EIX	
9079320128	BR4ES	
9079320129	BPR7HS-10	
9079320131	BR5HS	
9079320132	CR6HSA	
9079320133	CR7HSA	
9079320134	BR8EG	
9079320135	BR9EG	
9079320136	BR10EG	
9079320138	BPR6EIX	
9079320139	BR8ECM	
9079320149	R0373A-10	
9079320150	CR8EIX	
9079320151	B8HCS	
9079320152	DR8EIX	
9079320153	DR9EIX	
9079320154	DPR8EIX-9	
9079320155	DPR9EIX-9	
9079320158	BR6HIX	
9079320159	BR7HIX	

YAMAHA	→ NGK	Quick
9079320160	BR8EIX	
9079320161	BR9EIX	
9079320162	CR8EHIX-9	
9079320163	CR9EHIX-9	
9079320164	BR8HIX	
9079320165	BR10EIX	
9079320166	BPR8HIX	
9079320168	BPR6EIX	
9079322001	BR8HIX	
9079322008	B5ES	
9079322010	B9ES	Q202
9079322031	BR7HS	Q211
9079322032	BR8HS	Q212
9079322034	BR8HS-10	
9079322035	BR6ES	
9079322036	BR7ES	
9079322037	BR9ES	Q208
9079322039	BR8HS	Q212
9079322047	DPR7EA-9	Q220
9079322064	BR9EIX	
9079322065	BR9EIX	
9079322088	BR8EIX	
9079322089	BR9EIX	
9079322091	BR10EIX	
9079322094	CR8EIX	
9079322095	B8HCS	
9079322096	CR8EHIX-9	
9079322097	CR9EHIX-9	
9079322099	DPR8EIX-9	
9079322100	DPR9EIX-9	
9079322107	DR8EIX	
9079322108	DR9EIX	
9079322109	BR7HIX	
9079322110	BR8HIX	
9079322111	BR9HIX	
9089078065	D6HA	
9089078066	D6EA	
9089078068	DP9EA-9	
9089078070	B9HS-10	
9089078071	BP8HS	
9089078073	BP4HA	
9089078074	BM6A	
9089078076	BPM6A	
9089078077	BR9HS	
9089078079	BPR6EIX	
9089078082	BR10EIX	
9089078086	BR8ES	Q207
9089078094	B6HS	Q203
9089078097	BP4HS	
9089078102	BM6A	
9089078108	BR7EIX	
9089078110	BR9EIX	
9089078111	BR10EIX	



**OE**

<b>YAMAHA</b>	<b>→ NGK</b>	<b>Quick</b>
9089078112	BR10EIX	
9089078115	BR9HIX	
9089078116	BR10HIX	
9089078118	DR8EIX	
9470000039	B6HS	Q203
9470000040	B7HS	Q204
9470000041	B8HS	Q205
9470000043	B6ES	
9470000044	B7ES	
9470000045	B8ES	Q201
9470000050	BP7HS	
9470000108	BP6HS	
9470000110	BR7HS	Q211
9470000111	BR6ES	
9470000118	BP8ES	
9470000157	D8EA	Q216
9470000159	BP4HS	
9470000168	BP5HS	
9470000189	D7EA	
9470000195	BR8HS	Q212
9470000198	BPR6HS	Q214
9470000203	DR8ES-L	Q218
9470000204	BR8ES	Q207
9470000208	DR7ES	
9470000213	C6HA	
9470000218	BPR7ES	
9470000219	BPR8ES	Q213
9470000227	BPR7HS	Q215
9470000232	BP6HS-10	
9470000234	BPR6ES	
9470000241	DPR8EA-9	Q221
9470000248	BR6HS	Q209
9470000250	CR7HS	
9470000254	C7HSA	
9470000256	C6HSA	
9470000258	BPR4HS	
9470000261	BR9ES	Q208
9470000262	DPR7EA-9	Q220
9470000263	DP7EA-9	
9470000268	BP8HS	
9470000275	DP8EA-9	
9470000280	BPR8HS	
9470000282	CR6HS	Q223
9470000292	BPR6HS-10	
9470000318	CR9E	Q227
9470000330	CR8E	Q226
9470000333	DR8EA	
9470000336	BPR5HS	
9470000340	DR9EA	Q219
9470000345	DR7EA	
9470000353	CR7E	Q225
9470000361	DPR9EA-9	Q222
9470000366	CR7HSA	

<b>YAMAHA</b>	<b>→ NGK</b>	<b>Quick</b>
9470000372	CR6HSA	
9470000375	DPR6EA-9	
9470000381	CR6E	
9470000394	R0373A-10	
9470000397	B9HS	
9470000402	CR10EK	
9470000403	CR9EK	Q230
9470000406	DPR5EA-9	
9470000408	CR9EIA-9	
9470000410	CR9E	Q227
9470000411	CR8E	Q226
9470000420	CPR7EA-9	
9470000424	LMAR9E-J	
9470000825	BP7HS-10	
9470000835	C7HSA	
9470000840	CR7E	Q225
9470000841	C6HSA	
9470000850	C6HSA	
9470000856	CR7HSA	
9470000866	CPR8EA-9	
9470000871	CPR9EA-9	
9470000879	CR6HSA	
9470100039	B6HS	Q203
9470100040	B7HS	Q204
9470100041	B8HS	Q205
9470100042	B9HS	
9470100043	B6ES	
9470100044	B7ES	
9470100045	B8ES	Q201
9470100046	B9ES	Q202
9470100048	B8HCS	
9470100050	BP7HS	
9470100061	BR8EIX	
9470100063	BR9EIX	
9470100069	B5HS	
9470100078	B5ES	
9470100108	BP6HS	
9470100110	BR7HS	Q211
9470100111	BR6ES	
9470100112	BR7ES	
9470100113	BR8EIX	
9470100116	BP6ES	
9470100118	BP8ES	
9470100148	BR8HIX	
9470100157	D8EA	Q216
9470100159	BP4HS	
9470100168	BP5HS	
9470100188	BR9ES	Q208
9470100189	D7EA	
9470100193	BR9EIX	
9470100194	BPR5HS	
9470100195	BR8HS	Q212
9470100198	BPR6HS	Q214



<b>YAMAHA</b>	<b>→ NGK</b>	<b>Quick</b>
9470100203	DR8ES-L	Q218
9470100204	DR8ES	Q217
9470100208	DR7ES	
9470100211	BPMR6A	
9470100218	BPR7ES	
9470100219	BPR8ES	Q213
9470100227	BPR7HS	Q215
9470100232	BP6HS-10	
9470100234	BPR6ES	
9470100241	DPR8EA-9	Q221
9470100247	BR8HS-10	
9470100248	BR6HS	Q209
9470100250	CR7HS	
9470100251	BR9HS	
9470100254	C7HSA	
9470100256	C6HSA	
9470100258	BPR4HS	
9470100262	DPR7EA-9	Q220
9470100263	DP7EA-9	
9470100264	BP7HS-10	
9470100266	D9EA	
9470100267	BP8ES	
9470100268	BP8HS	
9470100275	DP8EA-9	
9470100280	BPR8HS	
9470100282	CR6HS	Q223
9470100284	BPR6EIX	
9470100285	BPR6EIX	
9470100287	DR8ES	Q217
9470100292	BPR6HS-10	
9470100311	BR5ES	
9470100315	C9E	
9470100318	CR9E	Q227
9470100324	BR9EG	
9470100325	B9EG	
9470100328	BPR5ES	
9470100330	CR8E	Q226
9470100333	DR8EA	
9470100340	DR9EA	Q219
9470100345	DR7EA	
9470100349	BR7ES	
9470100353	CR7E	Q225
9470100356	BR10ES	
9470100358	C7E	
9470100361	DPR9EA-9	Q222
9470100366	CR7HSA	
9470100372	CR6HSA	
9470100375	DPR6EA-9	
9470100381	CR6E	
9470100386	CR10EK	
9470100395	CR9EK	Q230
9470100402	CR10EK	
9470100403	CR9EK	Q230

<b>YAMAHA</b>	<b>→ NGK</b>	<b>Quick</b>
9470100406	DPR5EA-9	
9470100407	CR9EIA-9	
9470100408	CR9EIA-9	
9470100410	CR9E	Q227
9470100411	CR8E	Q226
9470100415	CPR8EA-9	
9470100420	CPR7EA-9	
9470100422	LMAR7A-9	
9470100423	LMAR6A-9	
9470100424	LMAR9E-J	
9470100434	LMAR8G	
9470200039	B6HS	Q203
9470200040	B7HS	Q204
9470200041	B8HS	Q205
9470200044	B7ES	
9470200045	B8ES	Q201
9470200046	B9ES	Q202
9470200069	B5HS	
9470200111	BR6ES	
9470200149	B7HS	Q204
9470200188	BR9ES	Q208
9470200193	BR9EIX	
9470200195	BR8HS	Q212
9470200204	BR8ES	Q207
9470200211	BPMR6A	
9470200227	BPR7HS	Q215
9470200234	BPR6ES	
9470200247	BR8HS-10	
9470200248	BR6HS	Q209
9470200249	BR5HS	
9470200251	BR9HS	
9470200272	BR7HS	Q211
9470200317	B9HS-10	
9470200323	B8EG	
9470200324	BR9EG	
9470200325	B9EG	
9470200326	BR8EG	
9470200331	BPR4ES	
9470200343	BR4ES	
9470200348	BPR2ES	
9470200349	BR7ES	
9470200351	BP8ES	
9470200356	BR10ES	
9470200357	BR9ECM	
9470200367	B10EG	
9470200368	BR10EG	
9470200373	R7376-10	
9470200374	R7282-105	
9470200383	BR9ECS	
9470200384	BR10ECS	
9470200403	CR9EKB	
9470200409	CR9EB	
9470200412	BKR6E	



**OE**

<b>YAMAHA</b>	<b>→ NGK</b>	<b>Quick</b>
9470200428	CPR8EB-9	
9470200803	BP7HS-10	
9470200808	BR8ES	Q207
9470300001	B-4H	
9470300039	B6HS	Q203
9470300040	B7HS	Q204
9470300041	B8HS	Q205
9470300042	B9HS	
9470300043	B6ES	
9470300044	B7ES	
9470300045	B8ES	Q201
9470300046	B9ES	Q202
9470300050	BP7HS	
9470300059	BR7HIX	
9470300060	BR9HIX	
9470300062	BR6HIX	
9470300065	BR7EIX	
9470300069	B5HS	
9470300074	BR8EIX	
9470300075	BR9EIX	
9470300078	B5ES	
9470300108	BP6HS	
9470300110	BR7HS	Q211
9470300112	BR7ES	
9470300113	BR8EIX	
9470300114	BR9EIX	
9470300116	BP6ES	
9470300118	BP8ES	
9470300133	BP5ES	
9470300143	BR8HIX	
9470300148	BR8HIX	
9470300157	D8EA	Q216
9470300159	BP4HS	
9470300168	BP5HS	
9470300181	D8EA	Q216
9470300188	BR9ES	Q208
9470300189	D7EA	
9470300194	BPR5HS	
9470300198	BPR6HS	Q214
9470300203	DR8ES-L	Q218
9470300204	BR8ES	Q207
9470300207	B4ES	
9470300213	C6HA	
9470300214	C6HSA	
9470300216	C7HSA	
9470300218	BPR7ES	
9470300220	BPR7ES	
9470300222	DR8EA	
9470300223	BP6HS	
9470300227	BPR7HS	Q215
9470300232	BP6HS-10	
9470300234	BPR6ES	
9470300235	BPR6HS-10	

<b>YAMAHA</b>	<b>→ NGK</b>	<b>Quick</b>
9470300241	DPR7EA-9	Q220
9470300254	C7HSA	
9470300256	C6HSA	
9470300258	BPR4HS	
9470300262	DPR7EA-9	Q220
9470300263	DP7EA-9	
9470300264	BP7HS-10	
9470300265	CR7HSA	
9470300266	D9EA	
9470300267	BP8ES	
9470300275	DP8EA-9	
9470300277	BR9EIX	
9470300279	BR8EIX	
9470300282	CR6HS	Q223
9470300307	C9E	
9470300311	BR5ES	
9470300314	C8E	
9470300315	C9E	
9470300318	CR9E	Q227
9470300319	CR9E	Q227
9470300323	B8EG	
9470300325	B9EG	
9470300327	BPR7HS	Q215
9470300328	BPR5ES	
9470300329	CR8E	Q226
9470300330	CR8E	Q226
9470300331	BPR4ES	
9470300333	DR8EA	
9470300340	DR9EA	Q219
9470300345	DR7EA	
9470300352	CR7E	Q225
9470300353	CR7E	Q225
9470300355	BR7HS	Q211
9470300381	CR6E	
9470300406	DPR5EA-9	
9470300410	CR9E	Q227
9470300411	CR8E	Q226
9470300420	CPR7EA-9	
9470300422	LMAR7A-9	
9470300423	LMAR6A-9	
9470300424	LMAR9E-J	
9470900193	BR9EIX	
9470900195	BR8HS	Q212
9470900211	BPMR6A	
9470900247	BR8HS-10	
9470900248	BR6HS	Q209
9470900324	BR9EG	
9470900326	BR8EG	
9470900337	BR10EIX	
9470900342	BPR4EY	
9470900348	BPR2ES	
9470900357	BR9ECM	
9470900373	R7376-10	



<b>YAMAHA</b>	<b>→ NGK</b>	<b>Quick</b>
9470900383	BR9ECS	
9470900384	BR10ECS	
9470900409	CR9EB	
94702003910	B6HS	Q203
947000083500IV	C7HSA	
947000085000IV	C6HSA	
<b>ZONGSHEN</b>	<b>→ NGK</b>	<b>Quick</b>
1452	CR7HSA	
1453	BP7HS	









DISCONTINUED PRODUCTS



IGNITION  
PARTS



A-6	AB-6
A-7	AB-7
A-8	AB-8
A-8F	A8FS
A-9F	A9FS
APR5FS-11	APR5FS
B10H	B10HS
B10HN	R5525-10
B11HP	R5525-11
B-2-10	B-2
B-4-10	B-4
B5ES-11	B5ES
B6EFS	BR6EF
B6HVX	BR6HIX
B7ET	BR7ET
B8EM	BR8EM
B8ES-11	B8ES
B8ET	BR8ET
B8HN	R5525-8
B9HP	R5530-9
BCP4ES	BCPR4ES-11
BCP5E-11	BCPR5E-11
BCP5ES	BCPR5ES
BCP5EVX	BCPR5EIX
BCP5EY-11	BCPR5EY-11
BCP6E-11	BKR6E-11
BCP6ES	BCPR6ES
BCP6EV	BCP6EVX
BCPR5EVX-11	BCPR5EIX-11
BCPR6ET	BKUR6ET
BCPR6EVX-11	BCPR6EIX-11
BCPR7ER	BKR6EK
BCPR7EY	BCPR7E
BK5EKU	BKR5EKU
BK7EKU	BKR7EKU
BKR5EP-8	BKR5EIX-P
BKR5EVX	BKR5EIX
BKR5EVX-11	BKR5EIX-11
BKR5EVXA-13	PFR5G-13E
BKR6EIX-LPG	LPG1
BKR6EVX	BKR6EIX
BKR6EVXA-13	PFR6G-13E
BKR7E-N	BKR7E
BKR7EVX	BKR7EIX
BKR7EVX-11	BKR7EIX-11
BKR7EY-11	BKR7E-11
BKR8ES	PFR8B
BKUR5E-11	BKR5E-11
BP10EV	BPR10EIX
BP2HS-10	BP2HS
BP4ES-13	BPR4ES-13
BP5EA	BP4EY
BP5EA-11	BP4EY-11
BP5EA-L	BP5EY
BP5EA-L-11	BP5EY-11
BP5EJ	BPR5EJ
BP6EA	BP6EY
BP6EA-11	BP6EY-11
BP6EF-13	BPR6EF-13
BP6EJ	BPR6EY-11
BP6EKA-V	BPR6EK-A
BP6EKN	BPR6EKN
BP7E	BPR7E

BP7EKN	BPR7EKN
BP7ES	BPR7ES
BP7EY-11	BPR7EY-11
BP8ES-11	BP8ES
BP8FS	R5674-8
BP8HSA	BPR8HSA
BP8HVX	BPR8HIX
BPR-2E	BPR2ES
BPR4EVX	GR4IX
BPR4S-15	BP-4
BPR5EA-11	BPR5EY-11
BPR5EF-13	BPR5EFS-13
BPR5EFVX	TR5IX
BPR5EP-13	BPR5EP-11
BPR5EVX	BPR5EIX
BPR5EVX-11	BPR5EIX-11
BPR5S	BP5S
BPR6EVX	BPR6EIX
BPR6EVX-11	BPR6EIX-11
BPR6E-ZP	PGR6A
BPR6FS-15	BPR6FS
BPR6HVX	BPR6HIX
BPR6S	BP6S
BPR7EVX	BPR7EIX
BPR7HVX	BPR7HIX
BPR8EVX	BPR8EIX
BR10ECMVX	BR10ECMIX
BR10EV	BR10EIX
BR4HSA-9	BPR4HSA
BR5ES-11	BR5ES
BR5FS-15	BR5FS
BR6EB	BR6ES
BR7EB-11	BUR7EB-11
BR7ES-11	BR7ES
BR7EVX	BR7EIX
BR9ECMVX	BR9ECMIX
BU6EA-11	BUR6EA-11
BU6EB-11	BUR6EB-11
BU7EA-11	BUR7EA-11
BUEW	BUE
BUR5EBVX-11	BUR5EB-11
BZ8ES	BR8ES
C10H	R0161-10
C4HA	CR4HSA
C6M	C6HSA
C7EH-9	CR7EH-9
C7HVX	CR7HIX
C8HV	CR8HIX
C9H	C8HSA
CR8EHVX-9	CR8EHIX-9
CR9EHVX-9	CR9EHIX-9
CR9EVX	CR9EIX
D-4H	DR4HS
D6ES	D6EA
D6HV	D6HA
D7EVX	DR7EIX
D8HV	D8HA
DCP8E	DCPR8E
DCPR7E-N	DCPR7E-N-10
DCPR7EVX	DCPR7EIX
DCPR8EVX	DCPR8EIX
DCPR9EVX	DCPR9EIX
DIMR8B10	DIMR8A10





DP5EA-9	DPR5EA-9
DP7Z	DPR7Z
DPR7EVX-9	DPR7EIX-9
DPR8EVX-9	DPR8EIX-9
DPR9EVX-9	DPR9EIX-9
DR8EVX	DR8EIX
DR9EVX	DR9EIX
FR2A-D	FR2B-D
GR4VX	GR4
GR5VX	GR5IX
IFR7G-11K	IFR7G-11KS
IKR9F8	IKR9J8
ILKAR6C10	ILKAR7C10
ILZKBR7A-8G	ILZKBR7B8DG
ITR5F13	TR5AI-13
JR10A	JR10B
JR9A	JR9B
LKR9CI-8	ILKR9G8
PFR4P-11	PFR4G-11
PFR5B	PFR5B-9
PFR5G-15E	PFR5G-11E
PFR5P	BKR5EQUPA
PFR6C-11	PFR6G-11
PFR6K-11	PFR6A-11
PGR6B	PGR6A-11
PLZKBR7A-G	PLZKBR7B8DG
PZFR6B	IZFR6B
PZFR6D-11	PZFR6J-11
PZFR6R8EG	SIZFR6B8EG
PZKER7A8EGS	PZKER7B8EGS
R0045A-11	R0045Q-11
R0045J-10	R0045Q-10
R0161-9	CR9HIX
R016-8	CR8EIX
R017-8	R0373A-8
R017-9	R0373A-9
R0256K-11	R0373A-11
R0256R-10	R0373A-10
R217-11	R2525-10
R217-95	R2525-9
R2430-10	R2349-10
R2430-9	R2349-9
R2525-11	R2349-11
R2556B-10	R2556G-10
R2556B-9	R2556G-9
R2558A-10	R2558E-10
R2558A-8	R2558E-8
R2558A-9	R2558E-9
R4118M-10	R4118S-10
R4304A-9	BPR9EIX
R4339-9	B9EG
R4452D-105	B105EGP
R4452D-11	B11EGP
R4452D-8	BR8EIX
R4452D-85	B85EGP
R4452D-9	BR9EIX
R4452D-95	B95EGP
R4468A-11	R6725-11
R4468A-115	R6725-115
R5300A-9	R7282-9
R5525-7	BR7HIX
R5525-9	BR9HIX
R5530-10	BR10HIX



R5530-8	BR8HIX
R5540-10	R5540F-10
R5649-11	R6712-10
R5649-9	R6712-9
R5671-8	R5671A-8
R5671-9	R5671A-9
R5672-8	R5672A-8
R5672-9	R5672A-9
R5883-10	R6690-10
R6021E-9	R6918B-9
R6061-8	BR8ECMIX
R6120-10	R7282-10
R6120A-105	R7282A-105
R6120A-11	R7282A-11
R6120M-11	R7429A-10
R6254E-8	R6254E-9
R6385-11P	R7376-10
R6385-8P	R7376-8
R6385-9P	R7376-9
R6711-9	R6601-9
R7112-7	IRIWAY7
R7115-10	R7433-10
R7115-8	R7433-8
R7115-9	R7433-9
R7119-8	R7434-8
R7232-7	BCPR7EIX
R7234-8	R7436-8
R7235-10	R7435-10
R7235-8	R7435-8
R7235-9	R7435-9
R7238-10	R7436-10
R7238-9	R7436-9
R7279-10	R7434-10
R7279-9	R7434-9
R7282C-11	R7282-11
R7282M-105	R7282-105
R8108-95	R8108A-10
RE8A-L	RE8C-L
SR5	TR5-1
TR4-2	TR4
TR4VX	TR4IX
TR5-1VX	TR5-1IX
TR55-1VX	TR55-1IX
TR55VX	TR55IX
TR5A-10	TR5B-13
UR40	UR45
UR45VX	UR45IX
UR4VX	UR4IX
UR55VX	UR55IX
UR5VX	UR5IX
UR6VX	UR6IX
WR5VX	WR5IX
XR40	XR45
XR45VX	XR45IX
XR4VX	XR4IX
XR5VX	XR5IX
YR55VX	YR55IX
YR5VX	YR5IX
ZFR7A-11	ZFR7F-11
ZGR5E	BPR5EY
ZGR6A	BPR6EY



# Disclaimer

**EN**

This catalogue supersedes all previous catalogs. NGK SPARK PLUG EUROPE GmbH has made its best effort to ensure an accurate information, based on information available at the time of the compilation of the catalog.

This catalog is made for information only. NGK SPARK PLUG EUROPE GmbH will not accept liability for any inaccuracy. Product linkage to vehicles or tools applications from this publication are considered under normal condition of use, fitted by a professional and for vehicles registered in Europe. For all different usage or post equipment, the responsibility of NGK SPARK PLUG EUROPE GmbH cannot be engaged. All ordered products are subject to valid terms and conditions supplied by NGK SPARK PLUG EUROPE GmbH.

The cross reference list (page 409-458) is furnished as a guide. Due to differences in design, materials, etc., products by various manufacturers may not match. See therefore our recommendation for the proper use of the acquired product.

Pictures, diagrams and drawings in this publication are not contractual. The property of the pictures, diagrams, drawings and other graphic elements and data belong to NGK SPARK PLUG EUROPE GmbH exclusively. Reproduction of this publication, partial or total, is strictly prohibited without a prior written authorization of NGK SPARK PLUG EUROPE GmbH.

**DE**

Mit Veröffentlichung dieser Ausgabe verlieren alle vorhergehenden Ausgaben ihre Gültigkeit. Dieser Katalog wurde, basierend auf den zum Zeitpunkt der Erstellung des Katalogs verfügbaren Informationen, von der NGK SPARK PLUG EUROPE GmbH nach bestmöglichem Wissen erstellt.

Dieser Katalog dient ausschließlich zu Informationszwecken. Die NGK SPARK PLUG EUROPE GmbH übernimmt keine Haftung für Druckfehler, Irrtümer oder sonstige fehlerhafte Informationen. Alle in diesem Katalog erwähnten Produkt-Zuordnungen zu Fahrzeugen oder Werkzeugen gelten für einen Einsatz unter normalen Bedingungen, den Einbau durch einen Fachmann sowie Fahrzeuge, die innerhalb der EU zugelassen sind. Die NGK SPARK PLUG EUROPE GmbH kann nicht für andere Nutzungszwecke oder Nachrüstungen jedweder Art haftbar gemacht werden. Alle bestellten Produkte unterliegen den geltenden Geschäftsbedingungen der NGK SPARK PLUG EUROPE GmbH.

Die Referenzliste (Seite 409-458) dient nur zur Information. Bedingt durch Unterschiede hinsichtlich Konstruktion, Werkstoffen usw. können Produkte verschiedener Hersteller nicht zusammenpassen. Siehe daher unsere Empfehlung für die richtige Anwendung des erworbenen Produkts.

Die in diesem Katalog abgebildeten Bilder, Diagramme und Zeichnungen sind nicht Vertragsbestandteil. Alle Bilder, Diagramme, Zeichnungen sowie andere graphische

Elemente und Daten sind exklusives Eigentum der NGK SPARK PLUG EUROPE GmbH. Jedwede Vervielfältigung dieses Katalogs, auch auszugsweise, ohne vorherige schriftliche Genehmigung durch die NGK SPARK PLUG EUROPE GmbH ist strengstens untersagt.

**FR**

NGK SPARK PLUG EUROPE GmbH a réalisé tous les efforts nécessaires pour assurer l'exactitude des informations sur la base des informations disponibles au moment de la compilation du catalogue. Le catalogue a été élaboré à titre informatif uniquement. NGK SPARK PLUG EUROPE GmbH n'acceptera aucune responsabilité en cas d'inexactitude. Les liens de produits avec des véhicules ou des outils dans cette publication sont considérés dans des conditions normales d'utilisation, installés par un professionnel et pour les véhicules immatriculés en Europe. Pour toute utilisation différente ou équipement de conversion, la responsabilité de NGK SPARK PLUG EUROPE GmbH ne peut pas être engagée. Tous les produits commandés sont soumis à des termes et conditions valides fournis par NGK SPARK PLUG EUROPE GmbH. Les images, diagrammes et dessins de cette publication ne sont pas contractuels.

Ce tableau de comparaison (page 409-458) est donné à titre indicatif. De par leurs différences de conceptions, matériaux, etc., les pièces produites par les différents fabricants n'ont pas exactement les mêmes caractéristiques. Se reporter au tableau d'affectations NGK SPARK PLUG EUROPE GmbH pour déterminer la référence adaptée à l'application.

Les images, les diagrammes, les dessins et autres éléments graphiques et données appartiennent à NGK SPARK PLUG EUROPE GmbH exclusivement. La reproduction de cette publication, partielle ou totale, est strictement interdite sans autorisation écrite préalable de NGK SPARK PLUG EUROPE GmbH.

**IT**

Il presente catalogo sostituisce tutti i precedenti. NGK SPARK PLUG EUROPE GmbH ha posto la massima attenzione per offrire informazioni accurate, basate sui dati disponibili al momento della compilazione del catalogo. Il presente catalogo ha esclusivamente scopo informativo. NGK SPARK PLUG EUROPE GmbH non si assume nessuna responsabilità per eventuali imprecisioni. Si considera che i veicoli a cui si riferisce questa pubblicazione si trovino in condizioni di utilizzo normali, siano stati montati da un professionista e su veicoli immatricolati in Europa. Per qualsiasi utilizzo o per attrezzature montate successivamente, NGK SPARK PLUG EUROPE GmbH non si assume nessuna responsabilità. Tutti i prodotti ordinati sono soggetti ai termini e alle condizioni forniti da NGK SPARK PLUG EUROPE GmbH. Le tabelle comparative (pag. 409-458) vengono fornite a scopo di guida. A causa della differenza nel design, materiale, ecc.. le candele d'accensione prodotte da un

altro costruttore potrebbero non corrispondere. Attenersi alle nostre raccomandazioni per il corretto utilizzo del prodotto. Le immagini, i grafici e i disegni presenti in questa pubblicazione non sono contrattuali. Le immagini, dei grafici, i disegni e gli altri elementi e dati sono di proprietà esclusiva di NGK SPARK PLUG EUROPE GmbH. La riproduzione della presente pubblicazione, parziale o totale, è strettamente proibita senza la preventiva autorizzazione scritta di NGK SPARK PLUG EUROPE GmbH.

### ES

Este catálogo reemplaza a todos los catálogos anteriores. NGK SPARK PLUG EUROPE GmbH ha hecho todo lo posible para garantizar que la información sea correcta, basándose en la información disponible en el momento de la redacción del catálogo.

Este catálogo se ha hecho con propósitos meramente informativos. NGK SPARK PLUG EUROPE GmbH no acepta ninguna responsabilidad por los posibles errores. Se considera que la utilización de los productos en vehículos o aplicaciones de herramientas de esta publicación se realiza en condiciones de uso normales, montados por un profesional y en vehículos matriculados en Europa. Para todos los otros usos o equipamiento a posteriori, NGK SPARK PLUG EUROPE GmbH no puede considerarse responsable. Todos los productos pedidos están sujetos a los términos y condiciones válidos de NGK SPARK PLUG EUROPE GmbH. Las imágenes, los diagramas y los dibujos de esta publicación no tienen valor contractual.

La lista de referencias cruzadas (páginas 409-458) le servirá como guía. Debido a la diferencia en el diseño, materiales, etc., las bobinas producidas por otro fabricante pueden no coincidir. Siga nuestras recomendaciones para el uso adecuado del producto.

Las imágenes, los diagramas, los dibujos, los otros elementos gráficos y los datos son propiedad exclusiva de NGK SPARK PLUG EUROPE GmbH. La reproducción total o parcial de esta publicación está estrictamente prohibida sin una autorización previa por escrito de NGK SPARK PLUG EUROPE GmbH.

### NL

Deze catalogus vervangt alle eerdere catalogi. NGK SPARK PLUG EUROPE GmbH heeft alles in het werk gesteld om voor nauwkeurige informatie te zorgen, op basis van de informatie die voorhanden was op het moment dat de catalogus werd samengesteld.

Deze catalogus dient slechts ter informatie. NGK SPARK PLUG EUROPE GmbH aanvaardt geen aansprakelijkheid voor eventuele onnauwkeurigheden. Producten die in verband worden gebracht met voertuigen of gereedschaptoepassingen van deze publicatie worden beschouwd onder normale gebruiksomstandigheden, geïnstalleerd door een professional en voor voertuigen die in Europa zijn geregistreerd. Voor alle andere gebruik of retrofitting aanvaardt NGK SPARK PLUG EUROPE GmbH geen aansprakelijkheid. Alle bestelde producten vallen onder

de geldige algemene voorwaarden van NGK SPARK PLUG EUROPE GmbH.

De lijst met kruisverwijzingen (pagina 409-458) dient als leidraad. Door verschillen in ontwerp, materialen, enz. kunnen producten die door verschillende fabrikanten zijn vervaardigd afwijken. Zie ook onze aanbeveling voor het juiste gebruik van het product dat u gekocht heeft.

Afbeeldingen, schema's en tekeningen in deze publicatie zijn niet bindend. Afbeeldingen, schema's, tekeningen en andere grafische elementen en gegevens zijn exclusief eigendom van NGK SPARK PLUG EUROPE GmbH. Gedeeltelijke of volledige reproductie van deze publicatie is ten strengste verboden zonder schriftelijke toestemming vooraf van NGK SPARK PLUG EUROPE GmbH.

### PT

Este catálogo substitui todos os catálogos anteriores. NGK SPARK PLUG EUROPE GmbH emvidou os seus melhores esforços para assegurar uma informação precisa, com base nas informações disponíveis no momento da compilação do catálogo. Este catálogo é elaborado apenas para efeitos informativos. NGK SPARK PLUG EUROPE GmbH não aceita qualquer responsabilidade por qualquer imprecisão. A ligação do produto a aplicações de veículos ou ferramentas desta publicação é considerada sob condições normais de uso, montado por um profissional e para veículos matriculados na Europa. Para todos os usos diferentes ou pós-equipamento, a responsabilidade de NGK SPARK PLUG EUROPE GmbH não pode se comprometer. Todos os produtos encomendados estão sujeitos a termos e condições válidos fornecidos pela NGK SPARK PLUG EUROPE GmbH. Esta lista de referência cruzada (página 409-458) é fornecida como guia. Devido a diferenças em termos de design, materiais, etc., os produtos dos vários fabricantes poderão não corresponder. Consequentemente, consulte a nossa recomendação quanto à utilização adequada do produto adquirido. As fotos, diagramas e desenhos nesta publicação não são contratuais. A propriedade das fotos, diagramas, desenhos e outros elementos gráficos e dados pertencem exclusivamente a NGK SPARK PLUG EUROPE GmbH. A reprodução desta publicação, parcial ou integral, é estritamente proibida sem uma autorização prévia por escrito da NGK SPARK PLUG EUROPE GmbH.

### GR

Αυτός ο κατάλογος αντικαθιστά όλους τους προηγούμενους καταλόγους. Η NGK SPARK PLUG EUROPE GmbH έχει κάνει κάθε δυνατή προσπάθεια για να εξασφαλιζεται η ακριβής πληροφόρηση, βάσει των διαθέσιμων πληροφοριών κατά το χρόνο της κατάρτισης του καταλόγου. Αυτός ο κατάλογος έχει στόχο μόνο την πληροφόρηση. Η NGK SPARK PLUG EUROPE GmbH δεν αναλαμβάνει καμία ευθύνη για οποιαδήποτε ανακρίβεια. Η σύνδεση του προϊόντος σε οχήματα ή εφαρμογές εργαλείων του παρόντος καταλόγου θεωρείται ότι γίνονται υπό κανονικές συνθήκες χρήσης, με εγκατάσταση από επαγγελματίες και για τα οχήματα που έχουν ταξινομηθεί στην



Ευρώπη. Για όλες τις άλλες περιπτώσεις διαφορετικής χρήσης ή προσθήκης εξοπλισμού, δεν φέρει ευθύνη η NGK SPARK PLUG EUROPE GmbH. Όλα τα παραγγελλθέντα προϊόντα υπόκεινται σε έγκυρους όρους και προϋποθέσεις που παρέχονται από την NGK SPARK PLUG EUROPE GmbH.

Αυτή η λίστα παραπομπών (σελ. 409-458) παρέχεται ως οδηγός. Λόγω των διαφορών στη σχεδίαση, στα υλικά κ.λπ., τα προϊόντα από διάφορους κατασκευαστές ενδέχεται να παρουσιάζουν ασυμφωνίες. Συνεπώς, ανατρέξτε στις συστάσεις μας για την ενδεδειγμένη χρήση του προϊόντος που έχετε αποκτήσει.

Εικόνες, διαγράμματα και σχέδια σε αυτήν την έκδοση δεν αποτελούν μέρος σύμβασης. Οι εικόνες, διαγράμματα, σχέδια και άλλα γραφικά στοιχεία και δεδομένα αποτελούν αποκλειστική ιδιοκτησία της NGK SPARK PLUG EUROPE GmbH. Απαγορεύεται αυστηρά η ολική ή μερική αναπαραγωγή της δημοσίευσης χωρίς την προηγούμενη γραπτή άδεια της NGK SPARK PLUG EUROPE GmbH.

### TR

Bu katalog önceki tüm katalogların yerini alır. NGK SPARK PLUG EUROPE GmbH, bu kataloğun hazırlanma aşamasında mevcut olan bilgilere dayanarak doğru bilgiler vermek için elinden geleni yapmıştır. Bu katalog yalnızca bilgi amaçlı hazırlanmıştır. NGK SPARK PLUG EUROPE GmbH, herhangi bir hata için sorumluluk kabul etmez. Bu yayındaki taşıt ve araç uygulamalarına atıfta bulunan ürün bağlantıları verilirken normal kullanım koşulları, bir uzmanca takılmış olması göz önünde bulundurulmuştur ve Avrupa'da tescillenmiş taşıtlar içindir. Farklı herhangi bir kullanım veya sonradan takılan ekipmanlar için NGK SPARK PLUG EUROPE GmbH sorumlu tutulamaz. Sipariş edilen tüm ürünler, NGK SPARK PLUG EUROPE GmbH tarafından sağlanan geçerli şartlara ve koşullara tabidir. Çapraz referans listesi (sayfa 409-458) bir kılavuz olarak verilmiştir. Not: Bu tablo referans amaçlıdır. Tasarım, malzeme ve benzeri şeylerdeki farklılıklar sebebiyle, farklı üreticilerin ürünleri eşleşmeyebilir. Bu yüzden alınan ürünün uygun kullanımı ile ilgili tavsiyelerimize bakın. Bu yayındaki resimler, şemalar ve çizimler taahhüt değildir. Resimlerin, çizimlerin ve diğer grafik öğelerin mülkiyeti yalnızca NGK SPARK PLUG EUROPE GmbH'ye aittir. Bu yayının NGK SPARK PLUG EUROPE GmbH'den önceden yazılı izin almadan kısmi veya tam olarak yeniden çoğaltılması kesinlikle yasaktır.

### PL

Niniejszy katalog zastępuje wszystkie poprzednie katalogi. Firma NGK SPARK PLUG EUROPE GmbH dołożyła najlepszych starań, aby upewnić się, że katalog zawiera precyzyjne informacje opierające się na danych dostępnych w czasie opracowania katalogu. Niniejszy katalog ma charakter wyłącznie informacyjny. Firma NGK SPARK PLUG EUROPE GmbH nie ponosi żadnej odpowiedzialności za jakiegokolwiek nieprecyzyjne dane. Przystosowanie produktów do pojazdów lub

narzędzi wymienionych w niniejszej publikacji zakłada normalne warunki stosowania, montaż przez profesjonalistów oraz pojazdy zarejestrowane w Europie. Firma NGK SPARK PLUG EUROPE GmbH nie ponosi żadnej odpowiedzialności za jakiegokolwiek przypadki innych zastosowań lub stosowanie w sprzęcie innego rodzaju.

Wszystkie zamówione produkty podlegają odpowiednim warunkom i postanowieniom określonym przez firmę NGK SPARK PLUG EUROPE GmbH.

Załączona lista porównawcza (strony 409-458) powinna być traktowana jedynie jako wskazówka. Ze względu na różnice w kształcie, zastosowanych materiałach itp., produkty poszczególnych producentów mogą się różnić między sobą. Z powyższych powodów prosimy stosować się do zaleceń dotyczących użytkowania produktu.

Ilustracje, schematy i rysunki zawarte w niniejszej publikacji nie mają mocy umownej. Ilustracje, schematy, rysunki i inne elementy graficzne oraz dane należą wyłącznie do firmy NGK SPARK PLUG EUROPE GmbH. Reprodukacja niniejszej publikacji w części lub w całości jest surowo zabroniona bez uzyskania wcześniejszego pisemnego upoważnienia ze strony firmy NGK SPARK PLUG EUROPE GmbH.

### CZ

Tento katalog nahrazuje všechny předchozí katalogy. NGK SPARK PLUG EUROPE GmbH vyvinul co největší úsilí, aby poskytl nejpřesnější informace, založených na informacích dostupných v okamžiku sestavení katalogu.

Tento katalog je jen pro informační účely. NGK SPARK PLUG EUROPE GmbH nepřebírá žádnou zodpovědnost na případné nepřesnosti. Propojení jednotlivých produktů s vozidly nebo použití s nářadím z této publikace se počítají za normálních podmínek užívání, nastavených odborníky pro vozidla registrovaná v Evropě. NGK SPARK PLUG EUROPE GmbH se nezavazuje k odpovědnosti za jiné užití nebo pro následné vybavení. Všechny objednaných výrobků se týkají platné podmínky a dohody dodávek NGK SPARK PLUG EUROPE GmbH.

Seznam křížových odkazů (strana 409-458) je dodán jako průvodce. Vzhledem k rozdílům v designu, materiálech atd. se produkty od různých výrobců nemusejí shodovat. Proto se podívejte na naše doporučení ohledně řádného použití zakoupeného produktu.

Obrázky, diagramy a kresby v této publikaci nejsou závazné. Vlastnictví obrázků, diagramů, kreseb a dalších grafických prvků a dat jsou výhradním majetkem NGK SPARK PLUG EUROPE GmbH. Jakákoliv reprodukce této publikace, ať části nebo v celku je přísně zakázána bez písemné autorizace NGK SPARK PLUG EUROPE GmbH.

### HU

Ez a katalógus hatályon kívül helyez minden korábbi katalógust. NGK SPARK PLUG EUROPE GmbH mindent megtett annak érdekében, hogy a katalógus összeállításakor rendelkezésre álló információkon alapuló pontos tájékoztatást biztosítson.

Ez a katalógus csak tájékoztató jellegű. NGK SPARK PLUG EUROPE GmbH nem vállal felelősséget az esetleges pontatlanságokért. A jelen katalógusban szereplő járműhöz kapcsolódó elemek, vagy alkalmazási eszközök használata szokásos alkalmazási feltételek mellett értendő, és azokat szakembernek kell az Európában bejegyzett járművekbe szerelnie. Minden ettől eltérő használatért, vagy utólagos beszerelésért az NGK SPARK PLUG EUROPE GmbH semmiféle felelősséget nem vállal. Valamennyi megrendelt termékre az NGK SPARK PLUG EUROPE GmbH által meghatározott feltételek vonatkoznak. A kiadványban szereplő ábrák, diagramok és rajzok nem szerződéses jellegűek. A kereszthivatkozás lista (409-458 oldal) csak útmutatóként szolgál. A különböző gyártók által gyártott termékek tervezésében, az anyagaiban, stb. eltérések lehetnek. Ezért vegye figyelembe ajánlásainkat a megvásárolt termék a helyes használathoz.

A kiadványban szereplő ábrák, diagramok, rajzok és egyéb grafikus elemek és adatok kizárólag az NGK SPARK PLUG EUROPE GmbH tulajdonát képezik. A kiadvány részleges vagy teljes reprodukciója kizárólag az NGK SPARK PLUG EUROPE GmbH előzetes és írásos engedélyezésével történhet.



Данный каталог заменяет все ранее изданные каталоги. Компания NGK SPARK PLUG EUROPE GmbH предприняла все возможные усилия, чтобы обеспечить точность данных, подготовленных на основе доступной на момент составления каталога информации.

Данный каталог предназначен только для информационных целей. NGK SPARK PLUG EUROPE GmbH не несет ответственность за какие-либо неточности. Примеры установки продуктов в транспортные средства или использования инструментов в данном издании рассматриваются для случаев нормального режима эксплуатации, профессионального монтажа и транспортных средств, зарегистрированных в Европе. При любых других условиях ответственность за последствия использования оборудования NGK SPARK PLUG EUROPE GmbH не несет. На все заказанные продукты распространяются действующие условия и положения NGK SPARK PLUG EUROPE GmbH. других производителей (стр. 409-458) предоставлен в качестве справочного материала. Продукты разных производителей могут не соответствовать друг другу вследствие отличий в конструкции, материалах и т. п. Просим вас руководствоваться нашими рекомендациями по надлежащему использованию приобретенного продукта.

Изображения, графики и рисунки в данном издании не являются договорными. Права на изображения, графики, рисунки и прочие графические элементы и данные принадлежат исключительно NGK SPARK PLUG EUROPE GmbH. Воспроизведение данного издания, частично или полностью, строго запрещается без предварительного письменного разрешения NGK SPARK PLUG EUROPE GmbH.





# PRODUCT PORTFOLIO



**IGNITION PARTS**

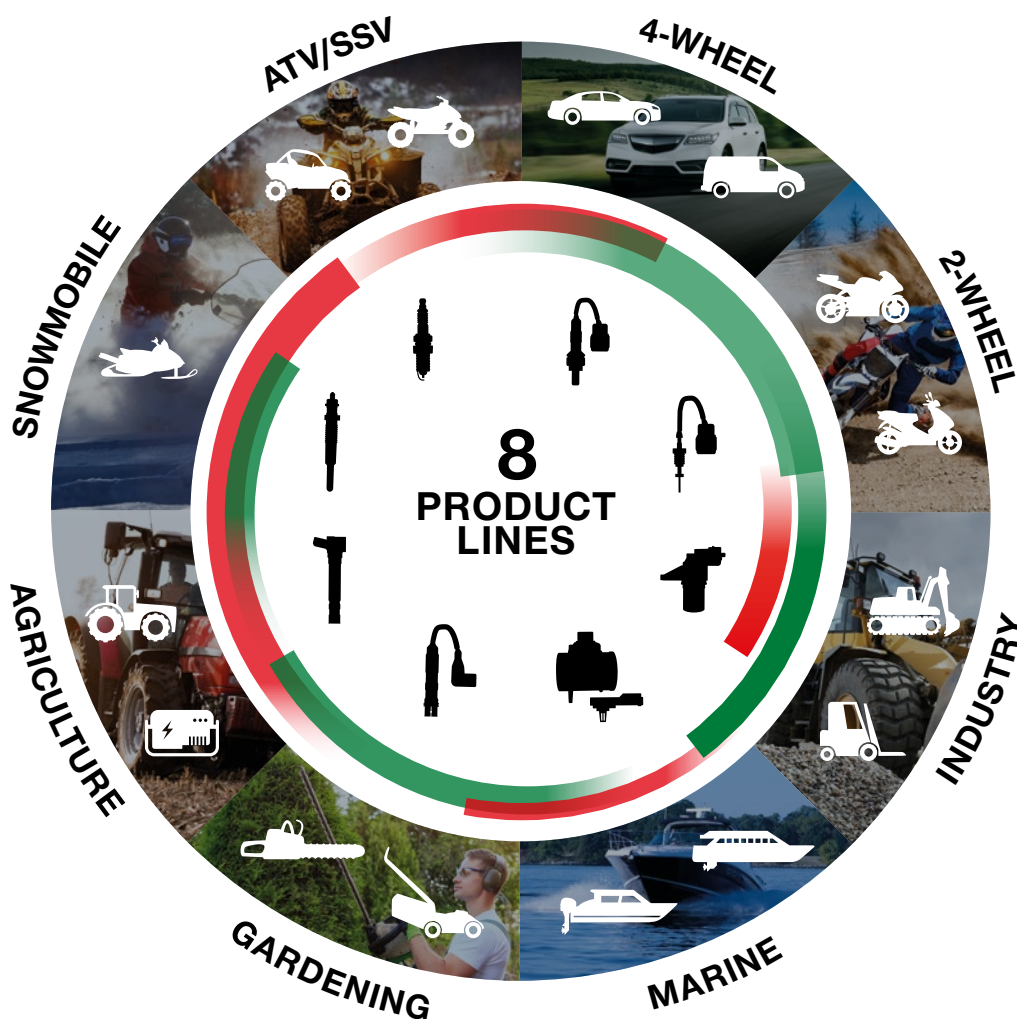


**VEHICLE ELECTRONICS**

NGK SPARK PLUG offers a comprehensive range of products for the Aftermarket. Eight business areas (4-wheel, 2-wheel, industry, marine, gardening, agriculture, snowmobile and ATV/SSV) are supplied with more than 60,000 applications covering eight product lines.

With its two strong brands NGK and NTK and countless products to choose from, NGK SPARK PLUG is the world's largest supplier of spark plugs and oxygen sensors. While NGK Ignition Parts stands for the ultimate in performance – from spark plugs and glow plugs to ignition coils and ignition leads –, NTK Vehicle Electronics, the precision brand, offers vehicle electronics and great business opportunities.

All we do, innovate and produce, perfectly reflects our ultimate aim: Performance through Precision, Precision for Performance.

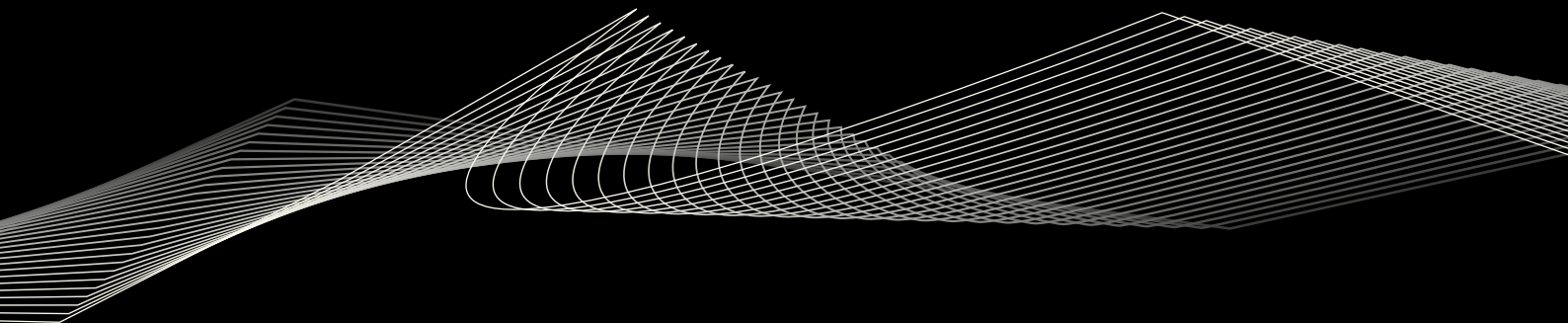


**NGK – POWERED BY PERFORMANCE**

- Spark Plugs
- Glow Plugs
- Ignition Coils
- Ignition Leads

**NTK – POWERED BY PRECISION**

- Oxygen Sensors
- Temperature Sensors
- MAP/MAF Sensors
- Engine Speed & Position Sensors



**NGK SPARK PLUG EUROPE GmbH**

Harkortstraße 41 • D-40880 Ratingen  
Tel.: +49 (0) 2102 974-000 • Fax.: +49 (0) 2102 974-149



[www.ngkntk.com](http://www.ngkntk.com)

**NGK | NTK**  
**SPARK PLUGS** | **TECHNICAL CERAMICS**  
**NGK SPARK PLUG CO., LTD.**

EMEA // EUROPE-MIDDLE EAST-AFRICA