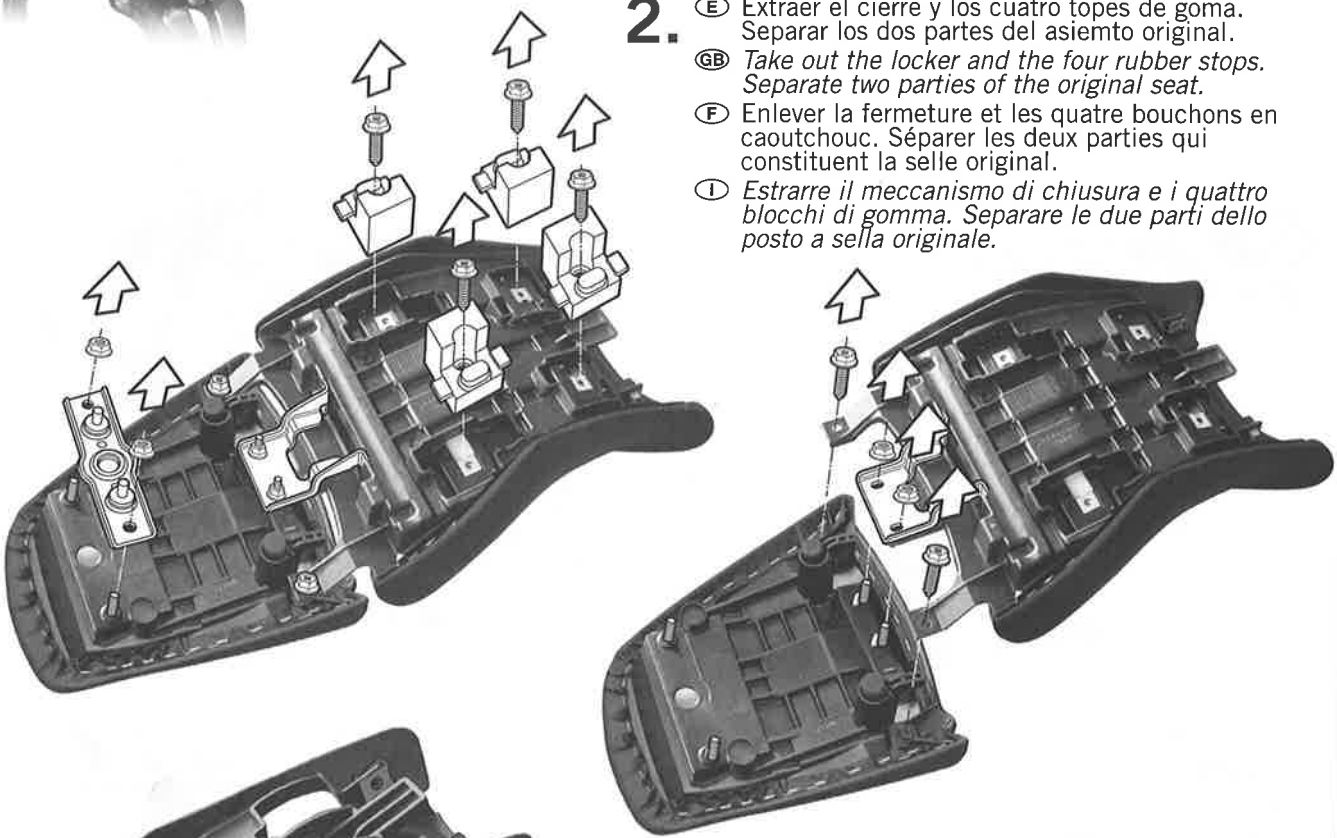


1. **(E)** Extraer el asiento original
(GB) Take out and remove the original seat.
(F) Enlever la selle original.
(I) Estrarre il posto a sella originale



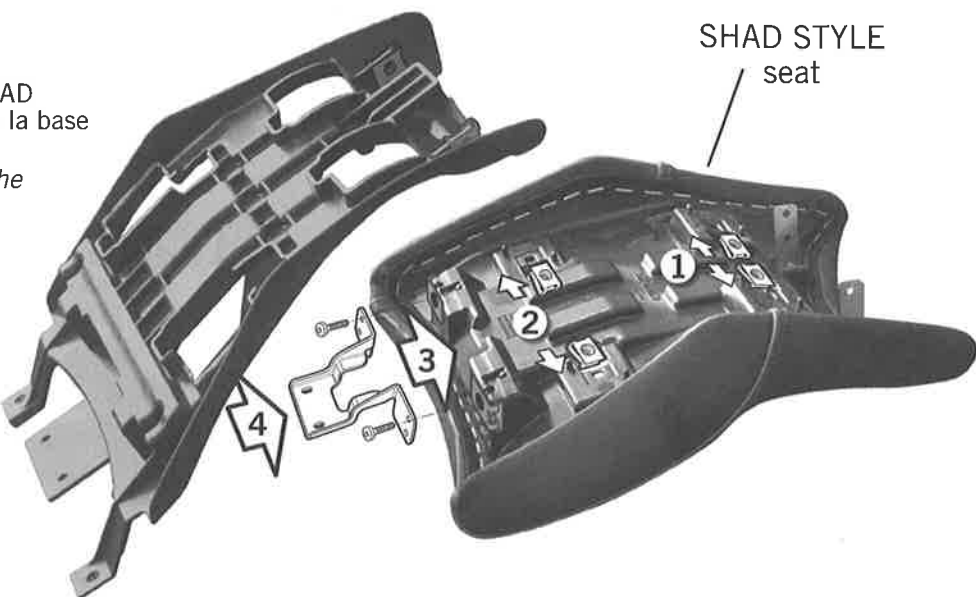
2. **(E)** Extraer el cierre y los cuatro topes de goma. Separar los dos partes del asiento original.
(GB) Take out the locker and the four rubber stops. Separate two parties of the original seat.
(F) Enlever la fermeture et les quatre bouchons en caoutchouc. Séparer les deux parties qui constituent la selle original.
(I) Estrarre il meccanismo di chiusura e i quattro blocchi di gomma. Separare le due parti dello posto a sella originale.



3. **(E)** Extraer la base original y las piezas del asiento original.
(GB) Take out the original base and the original items of the seat.
(F) Enlever la base originale et les pièces du selle original.
(I) Estrarre la base originale e i pezzi dello posto a sella originale.

4.

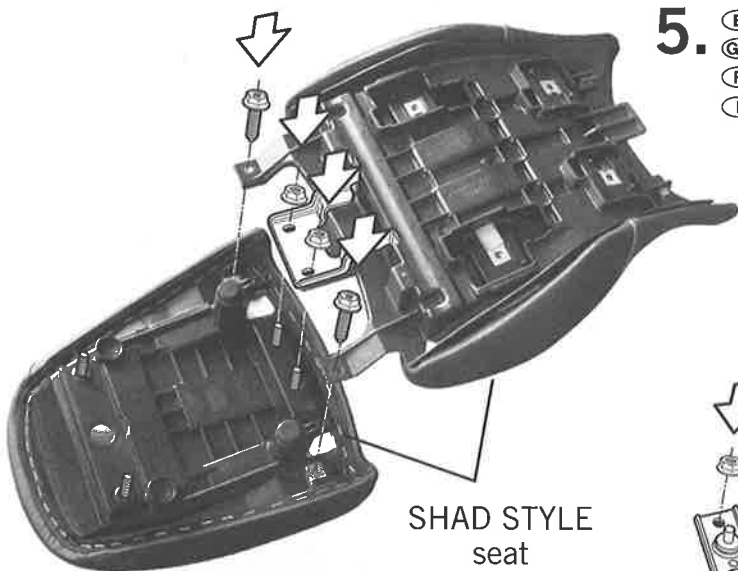
- (E) Colocarlas al asiento SHAD STYLE y volver a montar la base original.
- (GB) Place it ensemble into the SHAD STYLE seat and assemble again the original base.
- (F) Les placer sur la selle SHAD STYLE et monter à nouveau la base originale.
- (I) Sistemarli nello posto a sedere SHAD STYLE e montare di nuovo la base originale.



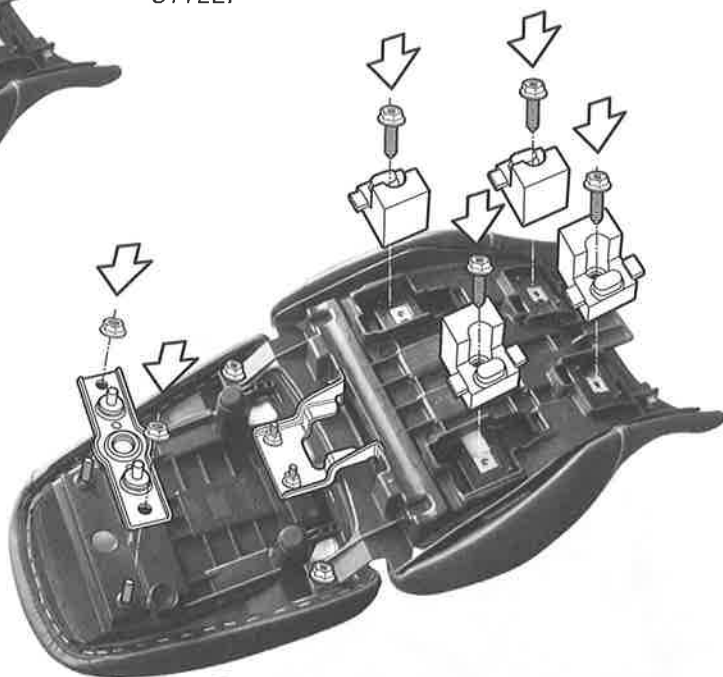
SHAD STYLE
seat

5.

- (E) Unir los dos partes del asiento SHAD STYLE.
- (GB) Join both parties of the SHAD STYLE seat.
- (F) Joindre les deux parties du selle SHAD STYLE.
- (I) Unire le due parti dello posto a sella SHAD STYLE.

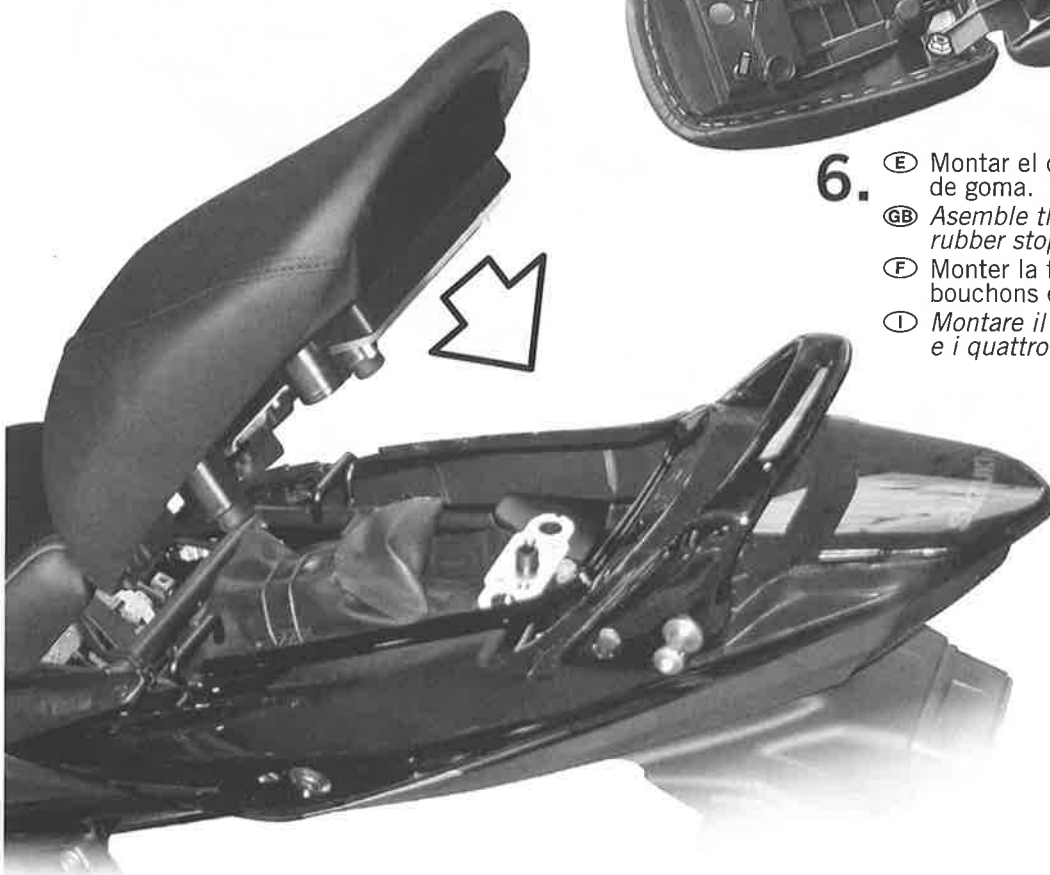


SHAD STYLE
seat



6.

- (E) Montar el cierre y los cuatro topes de goma.
- (GB) Assemble the locker and the four rubber stops.
- (F) Monter la fermeture et les quatre bouchons en caoutchouc.
- (I) Montare il meccanismo di chiusura e i quattro blocchi di gomma.



7.

- (E) Montar el asiento SHAD STYLE
- (GB) Fix SHAD STYLE seat
- (F) Monter la selle SHAD STYLE
- (I) Montare a sella SHAD STYLE