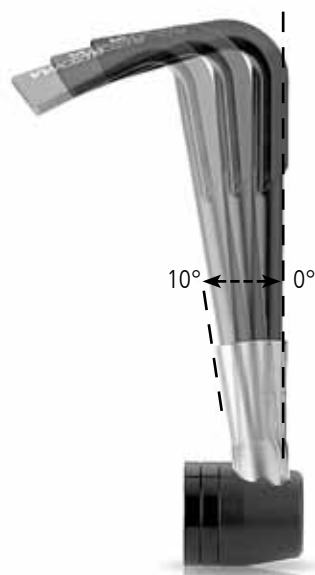


PROGUARD SYSTEM®

POSIZIONE	□	■	■	€
DESTRA	LP011A	LP011B	LP011G	89,00
SINISTRA	LP012A	LP012B	LP012G	89,00



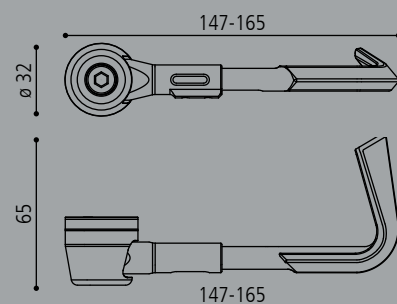
ADATTATORI PER MANUBRI CON FORO Ø 13-20 mm

D (mm)	ART.	€ CAD.
13-21	LP200B	5,00

ADATTATORI PER MANUBRI ORIGINALI

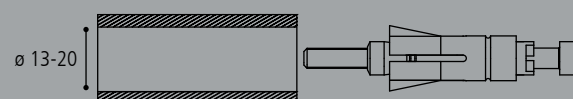
MARCA		ART.	€ CAD.
APRILIA®	RSV4	LP200B	5,00
BMW®	K1300R	LP320B	7,00
BMW®	S1000RR	LP321B	7,00
BMW®	F800R	LP322B	7,00
BUELL®	TUTTI	LP200B	5,00
DUCATI®	TUTTI	LP200B	5,00
HONDA®	TUTTI	LP200B	5,00
KAWASAKI®	Z750R	LP200B	5,00
KAWASAKI®	TUTTI	LP305B	5,00
KTM®	TUTTI	LP200B	5,00
MV AGUSTA®	BRUTALE 1090	LP200B	5,00
SUZUKI®	TUTTI	LP200B	5,00
TRIUMPH®	STREET TRIPLE 675	LP310B	5,00
TRIUMPH®	STREET TRIPLE R675	LP310B	5,00
TRIUMPH®	TUTTI GLI ALTRI MODELLI	LP200B	5,00
YAMAHA®	YZF R1	INCLUSI	-
YAMAHA®	YZF R6 06 >	INCLUSI	-
YAMAHA®	YZF R6 99 > 05	LP200B	5,00
YAMAHA®	TUTTI GLI ALTRI MODELLI	LP300B	5,00

TECHNICAL INFO

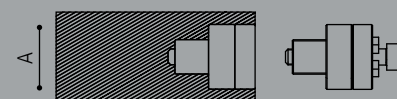


Il kit è fornito completo di:
01 vite M6x40 UNI5931

TECHNICAL INFO



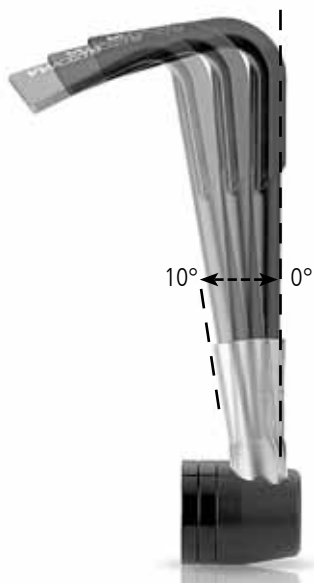
TECHNICAL INFO



A = dimensione manubrio

PROGUARD SYSTEM®

POSITION	□	■	■
RIGHT	LP011A	LP011B	LP011G
LEFT	LP012A	LP012B	LP012G



ADAPTERS FOR HANDLEBARS Ø 13-20 mm

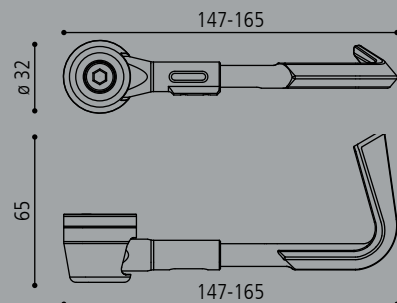
D (mm)	CODE
13-21	LP200B

ADAPTERS FOR ORIGINAL HANDLEBARS

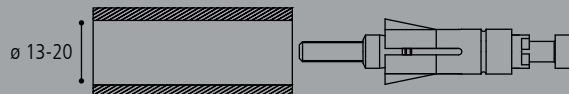
BRAND		CODE	EACH
APRILIA®	RSV4	LP200B	
BMW®	K1300R	LP320B	
BMW®	S1000RR	LP321B	
BMW®	F800R	LP322B	
BUELL®	ALL	LP200B	
DUCATI®	ALL	LP200B	
HONDA®	ALL	LP200B	
KAWASAKI®	Z750R	LP200B	
KAWASAKI®	ALL	LP305B	
KTM®	ALL	LP200B	
MV AGUSTA®	BRUTALE 1090	LP200B	
SUZUKI®	ALL	LP200B	
TRIUMPH®	STREET TRIPLE 675	LP310B	
TRIUMPH®	STREET TRIPLE R675	LP310B	
TRIUMPH®	ALL OTHER MODELS	LP200B	
YAMAHA®	YZF R1	INCLUDED	
YAMAHA®	YZF R6 06 –	INCLUDED	
YAMAHA®	YZF R6 99 – 05	LP200B	
YAMAHA®	ALL OTHER MODELS	LP300B	

TECHNICAL INFO

the kit includes:
01 screw M6x40
UNI5931



TECHNICAL INFO



TECHNICAL INFO

A = handlebar dimension

