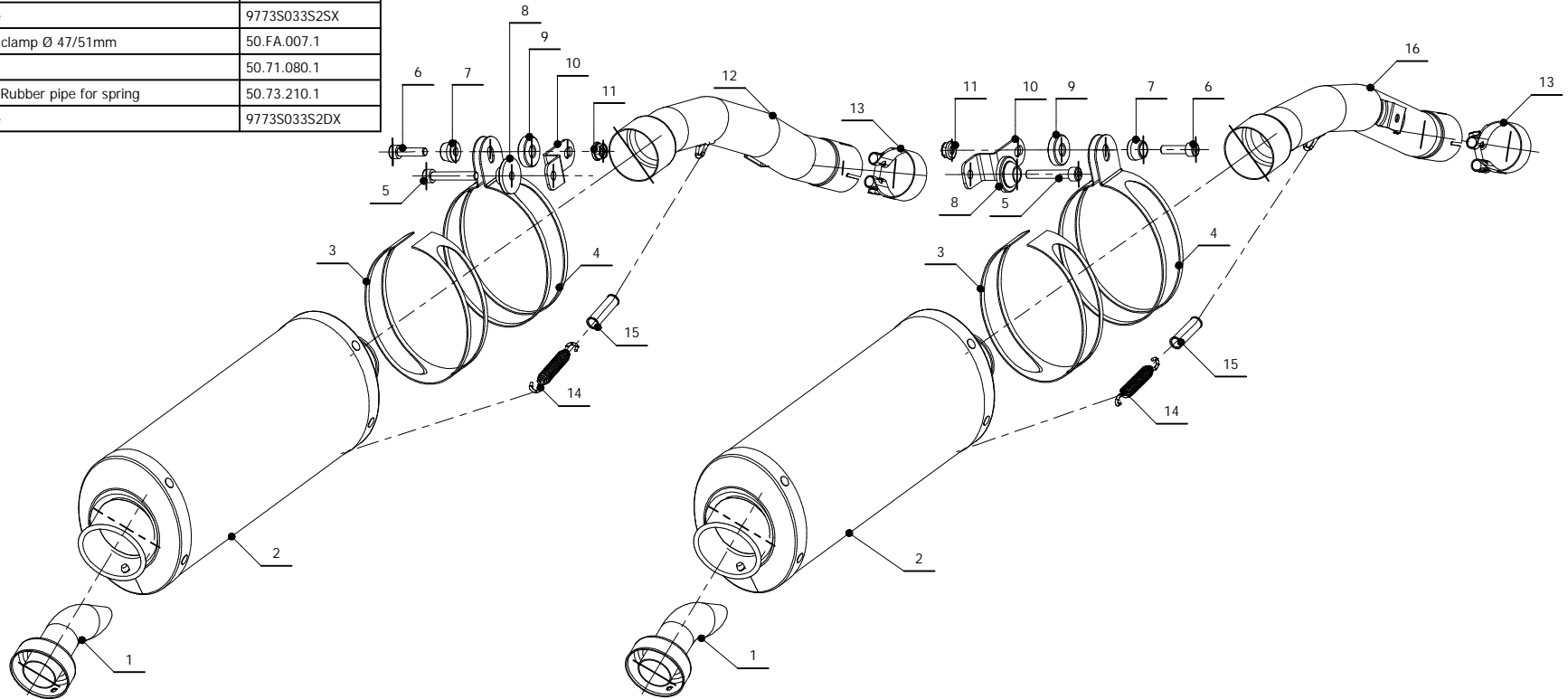


ELENCO PARTI / PARTS LIST

#	QTA / QTY	DESCRIZIONE / DESCRIPTION	CODICE / CODE
1	2	DB killer / DB killer	50.DK.020.0
2	2	Silenziatore / Muffler	OVAL
3	2	Protezione in gomma per staffa / Rubber protection for bracket	50.73.041.1
4	2	Staffa / Bracket	50.SS.002.0
5	2	Vite M8x50 / Screw M8x50	50.73.074.1
6	2	Vite M8x30 / Screw M8x30	50.73.219.1
7	2	Rondella in alluminio / Aluminium washer	50.73.248.1
8	2	Rondella in alluminio / Aluminium washer	50.73.063.1
9	2	Distanziale in alluminio / Aluminium spacer	50.SS.061.1
10	2	Staffa / Bracket	50.SS.129.1
11	2	Dado 8 MA flangiato / Flanged nut 8 MA	50.73.052.1
12	1	Tubo di raccordo / Link pipe	9773S033S2SX
13	2	Fascetta Ø 47/51mm / Pipe clamp Ø 47/51mm	50.FA.007.1
14	2	Molla / Spring	50.71.080.1
15	2	Tubo in gomma per molla / Rubber pipe for spring	50.73.210.1
16	1	Tubo di raccordo / Link pipe	9773S033S2DX


APPLICAZIONI / APPLICATIONS

CODICE / CODE	TUBO / PIPE	SILENZIATORE / MUFFLER	FASCETTA / CLAMP	OMOLOGAZIONE / HOMOLOGATION
S.033.LE	INOX / STAINLESS STEEL	CARBONIO / CARBON FIBER	INOX / STAINLESS STEEL	OMOLOGATO / HOMOLOGATED
S.033.LN	INOX / STAINLESS STEEL	TITANIO / TITANIUM	INOX / STAINLESS STEEL	OMOLOGATO / HOMOLOGATED
S.033.LX2	INOX / STAINLESS STEEL	INOX / STAINLESS STEEL	INOX / STAINLESS STEEL	OMOLOGATO / HOMOLOGATED