

PRODUCT SHEET

KAWASAKI ZX-6R

2003 > 2004

LINE SPORT - SLIP ON SYSTEMS





Kawasaki

KAWASAKI ZX-6R
2003 > 2004
SPORT - SLIP ON SYSTEMS

	Kit	Type	Shape	Level	Homologated
K.009.LE	SLIP-ON	CARBON	OVAL	STANDARD LEVEL	<input checked="" type="checkbox"/>
K.009.LN	SLIP-ON	TITANIUM	OVAL	STANDARD LEVEL	<input checked="" type="checkbox"/>
K.009.L3	SLIP-ON SMALL	CARBON	OVAL	STANDARD LEVEL	<input checked="" type="checkbox"/>
K.009.L4	SLIP-ON SMALL	TITANIUM	OVAL	STANDARD LEVEL	<input checked="" type="checkbox"/>
AK.009.L3	SLIP-ON SMALL	CARBON	OVAL	HIGH LEVEL	<input checked="" type="checkbox"/>
AK.009.L4	SLIP-ON SMALL	TITANIUM	OVAL	HIGH LEVEL	<input checked="" type="checkbox"/>
K.009.LX1	SLIP-ON SMALL	STAINLESS STEEL	OVAL	STANDARD LEVEL	<input checked="" type="checkbox"/>
AK.009.LX1	SLIP-ON SMALL	STAINLESS STEEL	OVAL	HIGH LEVEL	<input checked="" type="checkbox"/>
K.009.L2S	SLIP-ON	CARBON	GP	STANDARD LEVEL	<input checked="" type="checkbox"/>
K.009.L6S	SLIP-ON	TITANIUM	GP	STANDARD LEVEL	<input checked="" type="checkbox"/>
K.009.LC3	SLIP-ON	STAINLESS STEEL	X-CONE	STANDARD LEVEL	<input checked="" type="checkbox"/>
9773K009K2	TUBE KAT	--	--	STANDARD LEVEL	<input checked="" type="checkbox"/>
K.009.L7	SLIP-ON	STAINLESS STEEL	SUONO	STANDARD LEVEL	<input checked="" type="checkbox"/>



Photo



MIVV
sport line





MODEL KAWASAKI ZX-6 R 636 / ZX-6 RR

YEAR 2003-2004

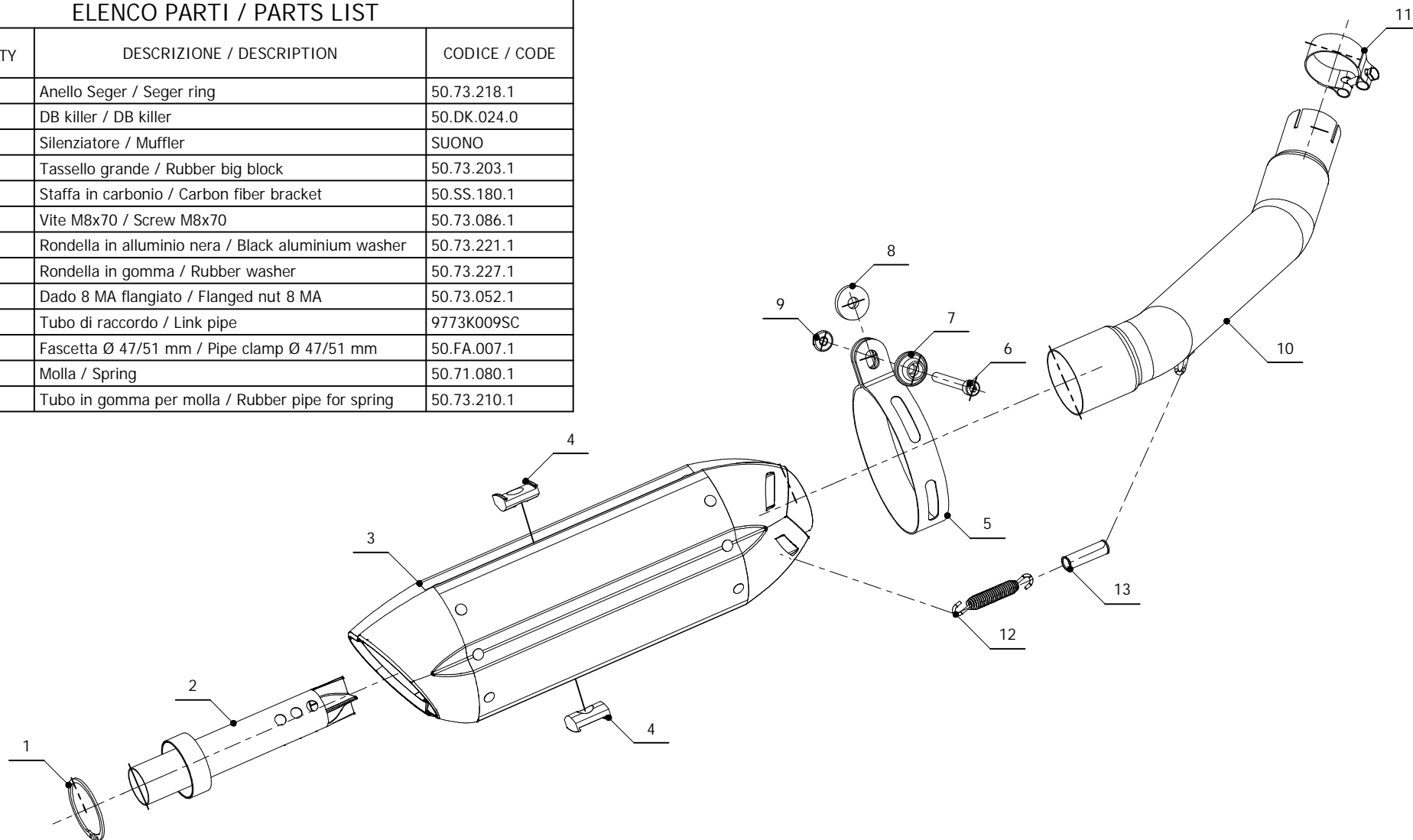
LINE SPORT

MUFFLER SUONO

SCHEMATIC

ELENCO PARTI / PARTS LIST

#	QTA / QTY	DESCRIZIONE / DESCRIPTION	CODICE / CODE
1	1	Anello Seger / Seger ring	50.73.218.1
2	1	DB killer / DB killer	50.DK.024.0
3	1	Silenziatore / Muffler	SUONO
4	2	Tassello grande / Rubber big block	50.73.203.1
5	1	Staffa in carbonio / Carbon fiber bracket	50.SS.180.1
6	1	Vite M8x70 / Screw M8x70	50.73.086.1
7	1	Rondella in alluminio nera / Black aluminium washer	50.73.221.1
8	1	Rondella in gomma / Rubber washer	50.73.227.1
9	1	Dado 8 MA flangiato / Flanged nut 8 MA	50.73.052.1
10	1	Tubo di raccordo / Link pipe	9773K009SC
11	1	Fascetta Ø 47/51 mm / Pipe clamp Ø 47/51 mm	50.FA.007.1
12	1	Molla / Spring	50.71.080.1
13	1	Tubo in gomma per molla / Rubber pipe for spring	50.73.210.1



APPLICAZIONI / APPLICATIONS

CODICE / CODE	TUBO / PIPE	SILENZIATORE / MUFFLER	FASCETTA / CLAMP	CODICE OMOL. / HOMOL. CODE
K.009.L7	INOX / ST. STEEL	INOX (COPPE CARBONIO) / ST. STEEL (CARBON CAPS)	CARBONIO / CARBON FIBER	ME008 e9 1176
K.009.L9	INOX / ST. STEEL	CARBONIO (COPPE CARBONIO) / CARBON (CARBON CAPS)	CARBONIO / CARBON FIBER	ME008 e9 1176