

PRODUCT SHEET

BMW K1200 R/S/GT

2005 >

LINE SPORT - SLIP ON SYSTEMS

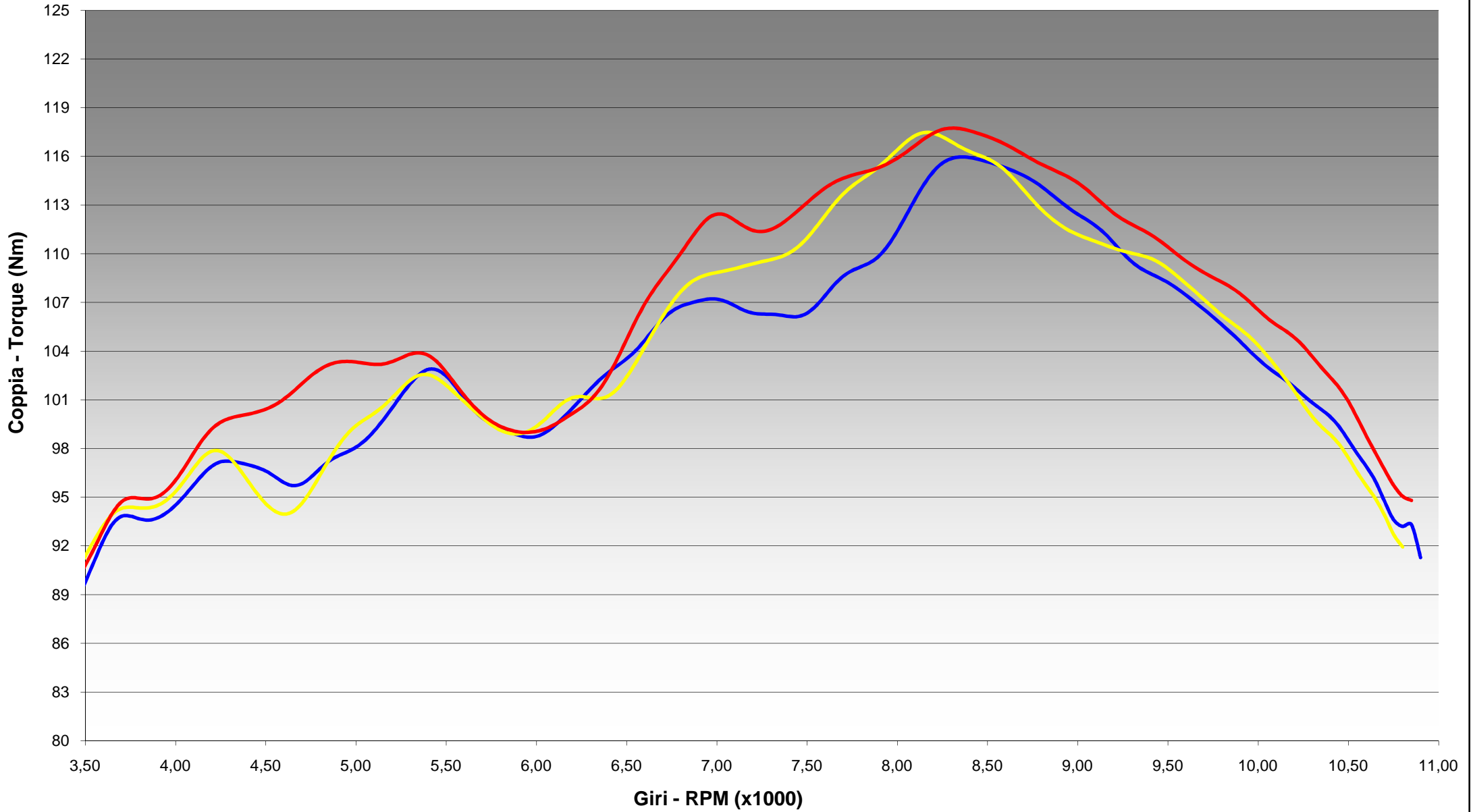
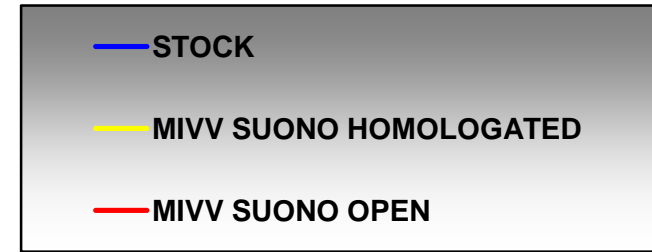


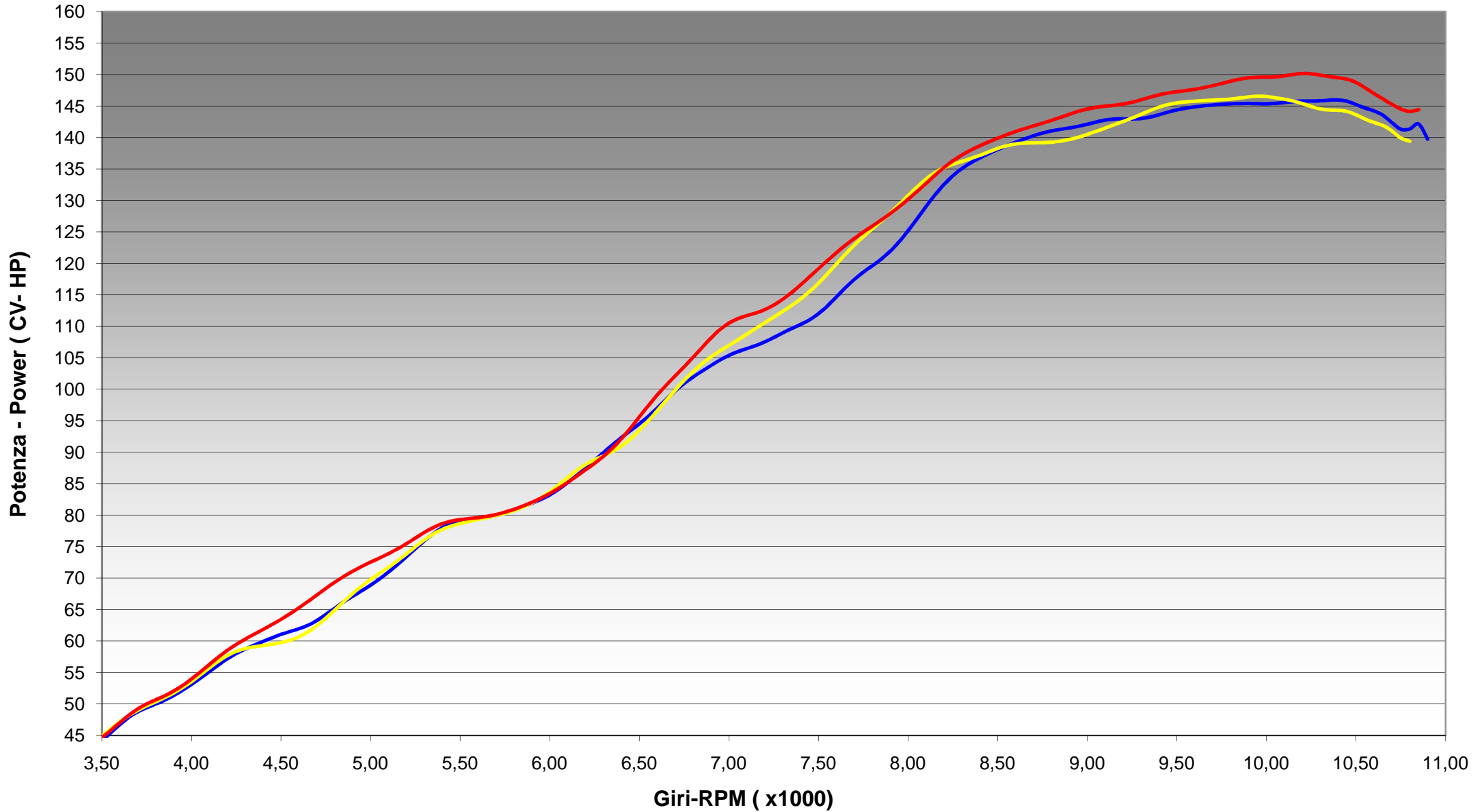


BMW K1200 R/S/GT
2005 >
SPORT - SLIP ON SYSTEMS

	Kit	Type	Shape	Level	Homologated
B.003.LNC	SLIP-ON	TITANIUM CARBON CAP	OVAL	STANDARD LEVEL	<input checked="" type="checkbox"/>
B.003.LEC	SLIP-ON	CARBON CARBON CAP	OVAL	STANDARD LEVEL	<input checked="" type="checkbox"/>
B.003.L7	SLIP-ON	STAINLESS STEEL	SUONO	STANDARD LEVEL	<input checked="" type="checkbox"/>
B.003.L8	SLIP-ON	FULL TITANIUM	SUONO	STANDARD LEVEL	<input checked="" type="checkbox"/>

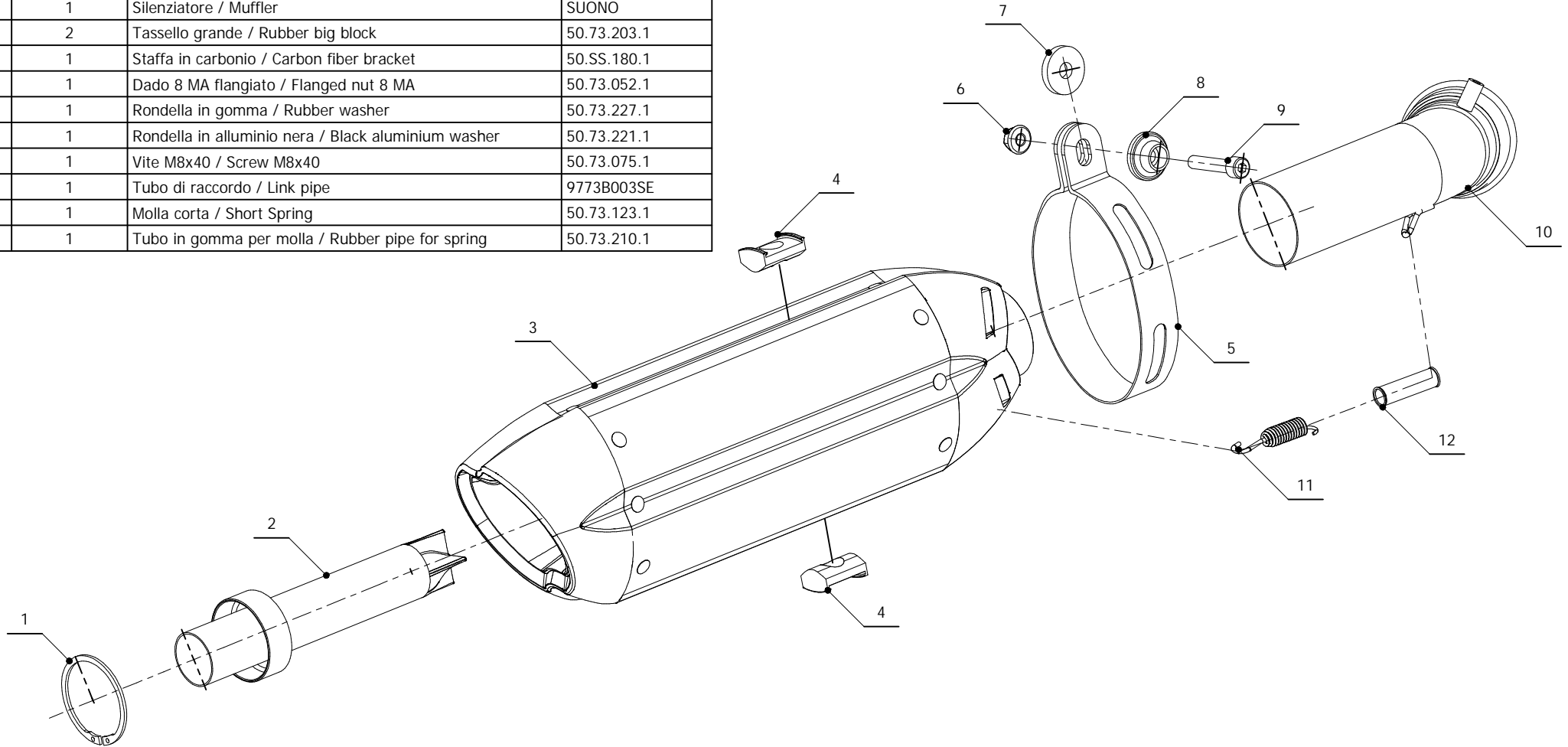






ELENCO PARTI / PARTS LIST

#	QTÀ / QTY	DESCRIZIONE / DESCRIPTION	CODICE / CODE
1	1	Anello Seger / Seger ring	50.73.218.1
2	1	Db Killer forato / Drilled DB killer	50.DK.025.0
3	1	Silenziatore / Muffler	SUONO
4	2	Tassello grande / Rubber big block	50.73.203.1
5	1	Staffa in carbonio / Carbon fiber bracket	50.SS.180.1
6	1	Dado 8 MA flangiato / Flanged nut 8 MA	50.73.052.1
7	1	Rondella in gomma / Rubber washer	50.73.227.1
8	1	Rondella in alluminio nera / Black aluminium washer	50.73.221.1
9	1	Vite M8x40 / Screw M8x40	50.73.075.1
10	1	Tubo di raccordo / Link pipe	9773B003SE
11	1	Molla corta / Short Spring	50.73.123.1
12	1	Tubo in gomma per molla / Rubber pipe for spring	50.73.210.1


APPLICAZIONI / APPLICATIONS

CODICE / CODE	TUBO / PIPE	SILENZIATORE / MUFFLER	FASCETTA / CLAMP	OMOLOGAZIONE / HOMOLOGATION
B.003.L7	INOX / STAINLESS STEEL	CARBONIO E TITANIO / CARBON FIBER AND TITANIUM	CARBONIO / CARBON FIBER	OMOLOGATO / HOMOLOGATED



MODEL BMW K 1200 R / S / GT

YEAR 2005 -->

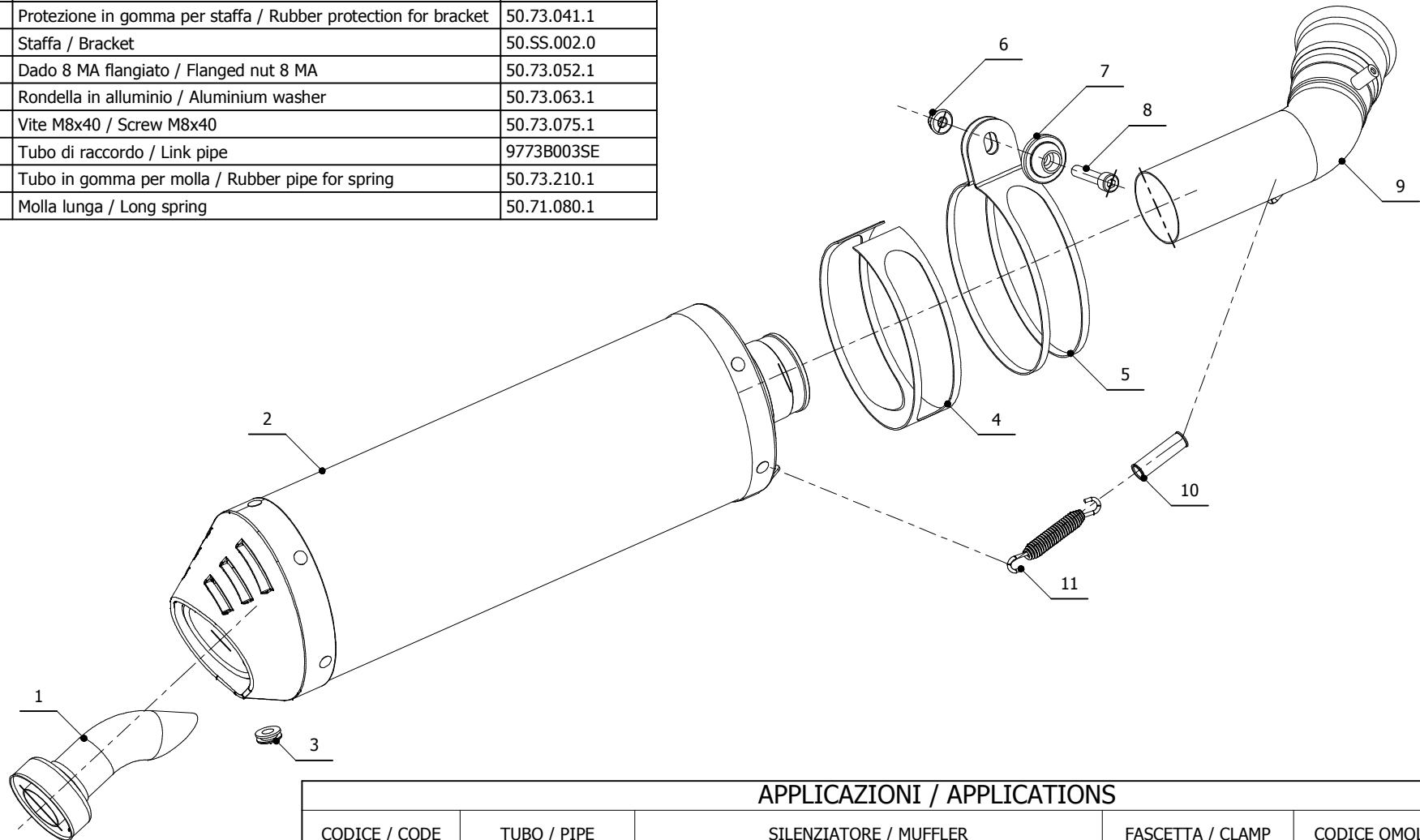
LINE SPORT

MUFFLER OVAL CARBON CAP

SCHEMATIC

ELENCO PARTI / PARTS LIST

#	QTÀ / QTY	DESCRIZIONE / DESCRIPTION	CODICE / CODE
1	1	DB killer / DB killer	50.DK.020.0
2	1	Silenziatore / Muffler	OVAL CARBON CAP
3	1	Tappo in gomma / Rubber stopper	50.73.266.1
4	1	Protezione in gomma per staffa / Rubber protection for bracket	50.73.041.1
5	1	Staffa / Bracket	50.SS.002.0
6	1	Dado 8 MA flangiato / Flanged nut 8 MA	50.73.052.1
7	1	Rondella in alluminio / Aluminium washer	50.73.063.1
8	1	Vite M8x40 / Screw M8x40	50.73.075.1
9	1	Tubo di raccordo / Link pipe	9773B003SE
10	1	Tubo in gomma per molla / Rubber pipe for spring	50.73.210.1
11	1	Molla lunga / Long spring	50.71.080.1



APPLICAZIONI / APPLICATIONS

CODICE / CODE	TUBO / PIPE	SILENZIATORE / MUFFLER	FASCETTA / CLAMP	CODICE OMOL. / HOMOL.CODE
B.003.LEC	INOX / ST.STEEL	CARBONIO (COPPA CARBONIO) / CARBON (CARBON CAP)	INOX / ST.STEEL	ME022 e9 1214
B.003.LNC	INOX / ST.STEEL	TITANIO (COPPA CARBONIO) / TITANIUM (CARBON CAP)	INOX / ST.STEEL	ME022 e9 1214